



ZIP FLANGE

ZIP FLANGE is manufactured to American National Standards Institute (ANSI) specification ANSI B16.1

FLANGE

Manufactured from Ductile Iron - ASTM A536, Grade 65-45-12. Drilling to ANSI B16.1 - 125lb.

SET SCREWS

Manufactured from AISI 4140 steel.
Heat Treated and Zinc Plated.

GASKET

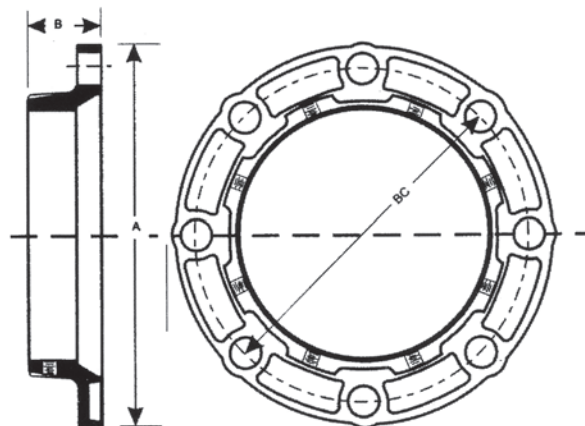
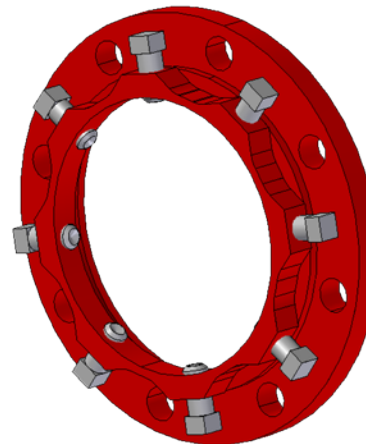
Standard Gasket supplied with SIGMA ZIP FLANGE is SBR (BUNA-S), suitable for water, wastewater, and most moderate chemicals. Temperature range: -10 - 160 degrees Fahrenheit.

Alternative Gaskets include:

EPDM - Green: -10 to 250°F (Ethylene Propylene)

CR - Yellow: -10 to 225°F (Neoprene)

NBR - Orange: 20 to 180°F (Buna-N, Nylril, Hycar)



ZF2 Series - STANDARD (2-8" 200psi / 10-12" 175psi)

Pipe Size	for Cast Iron Pipe		for Steel Pipe		A	B	BC	Bolt Hole Diameter	Set Screw		Weight lbs.
	Item No.	Pipe O.D.	Item No.	Pipe O.D.					No.	Size	
2	ZF2-C2	2.50	ZF2-S2	2.375	6	1 4/5	4 3/4	3/4	2	1/2 X 1	4
3	ZF2-C3	3.96	ZF2-S3	3.500	7 1/2	1 4/5	6	3/4	4	1/2 X 1	5
4	ZF2-C4	4.80	ZF2-S4	4.500	9	1 7/8	7 1/2	3/4	4	1/2 X 1	8
6	ZF2-C6	6.90	ZF2-S6	6.625	11	1 7/8	9 1/2	7/8	8	1/2 X 1	10
8	ZF2-C8	9.05	ZF2-S8	8.625	13 1/2	2 1/4	11 3/4	7/8	8	5/8 X 1 1/4	16
10	ZF2-C10	11.10	ZF2-S10	10.750	16	2 1/4	14 1/4	1	12	5/8 X 1 1/4	22
12	ZF2-C12	13.20	ZF2-Z12	12.750	19	2 1/4	17	1	12	5/8 X 1 1/4	31

ZF4 Series - HEAVY DUTY (4-12" 250psi / 14-24" 200psi / 30-48" 100psi)

Pipe Size	for Cast Iron Pipe		A	B	BC	Bolt Hole Diameter	Set Screws		Weight lbs.
	Item No.	Pipe O.D.					No.	Size	
4	ZF4-C4	4.80	9	2 1/16	7 1/2	3/4	8	1/2 x 1	11
6	ZF4-C6	6.90	11	2 1/16	9 1/2	7/8	8	1/2 x 1	15
8	ZF4-C8	9.05	13 1/2	2 1/16	11 3/4	7/8	8	5/8 x 1 1/4	21
10	ZF4-C10	11.10	16	2 1/16	14 1/4	1	12	5/8 x 1 1/4	38
12	ZF4-C12	13.20	19	2 5/16	17	1	12	5/8 x 1 1/4	56
14	ZF4-C14	15.30	21	2 5/8	18 3/4	1 1/8	12	5/8 x 1 1/4	70
16	ZF4-C16	17.40	23 1/2	2 11/16	21 1/4	1 1/8	16	5/8 x 1 1/4	79
18	ZF4-C18	19.50	25	3	22 3/4	1 1/4	16	3/4 x 2	90
20	ZF4-C20	21.60	27 1/2	3 3/16	25	1 1/4	20	3/4 x 2	145
24	ZF4-C24	25.80	32	3 3/8	29 1/2	1 3/8	20	3/4 x 2	175
30	ZF4-C30	32.00	38 3/4	4 1/2	36	1 3/8	28	1 x 2 1/4	270
36	ZF4-C36	38.30	46	4 3/4	42 3/4	1 5/8	32	1 x 2 1/4	400
42	ZF4-C42	44.50	53	5	49 1/2	1 5/8	36	1 x 2 1/4	602
48	ZF4-C48	50.80	59 1/2	5 1/8	56	1 5/8	44	1 x 2 1/4	680

Dimensions in Inches

Weights in Pounds