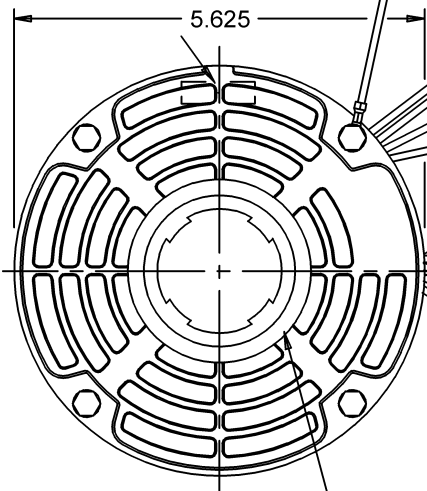


#16 GRN/YEL GROUND LEAD TO BE 12.000 BETWEEN CENTERS. TERMINALS TO FIT #10 SCREW.

AUTOMATIC THERMAL PROTECTOR



SPLIT IN MTG. RING

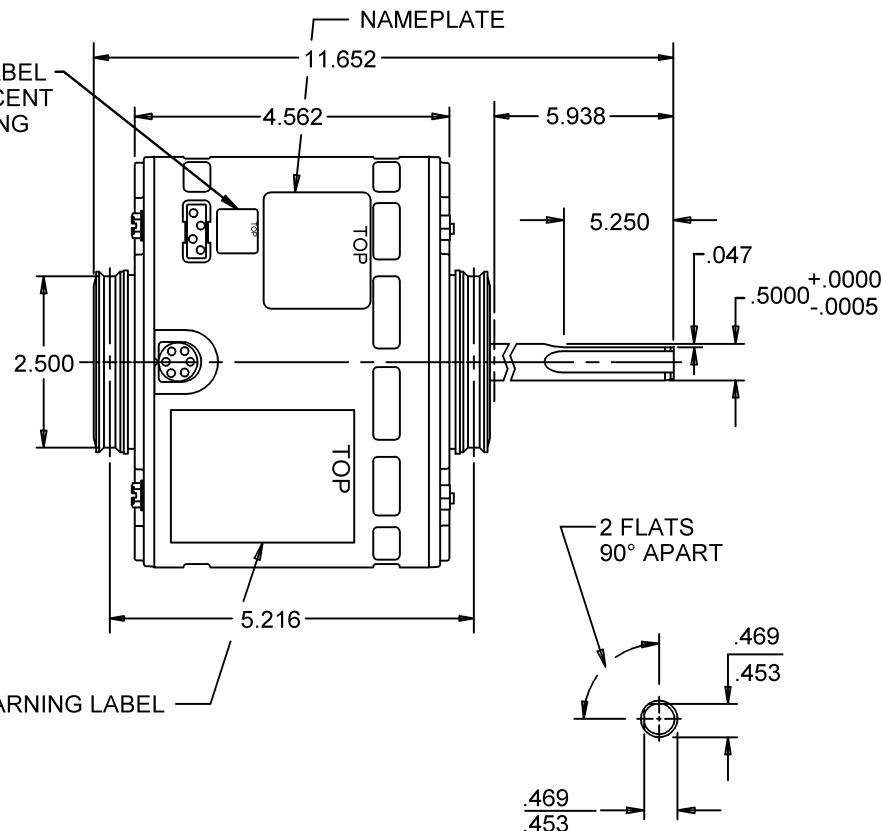
6 LEADS, TO EXTEND BEYOND MOTOR.
PUR(C)=24.000 ,BLK(1)=23.250,
BLU(2)=23.250, RED(3)=23.250,
BRN=24.000 & BRN/WHT=24.000

(4) LEADS, 2-YELLOW 2-ORANGE FOR REVERSING ROTATION.

(2).250 STRAIGHT TYPE Q.C. TERMS. WITH INSUL. GRIP ON BROWN LEADS.

WARNING LABEL TO BE ADJACENT TO REVERSING LEADS

.750 SKINNED (PURPLE ONLY)



WARNING LABEL

4.0 MFD @ 370V CAPACITOR REQ'D

NIDEC MOTOR CORPORATION 16-Nov-12

MODEL	REF	CUSTOMER	HP	VOLTS	AMPS	HZ	RPM	ROTATION	CAT. NO
K55HXRTZ-9535		STANDARD	1/4	277	2.0	60	1075 / 3 SPD	C.C.W. LE REV.	600
									CUSTOMER PN

SHEET NUMBER 1 OF 1	REV D	REVISION RECORD FOR: C6403-02	
		UPDATED "ENGINEER APPROVED" TO B. GAITAN	
REVISION DATE			
16-NOV-12			

INFORMATION DISCLOSED ON THIS DOCUMENT IS CONSIDERED PROPRIETARY AND SHALL NOT BE REPRODUCED OR DISCLOSED WITHOUT WRITTEN CONSENT OF NIDEC MOTOR CORPORATION

NIDEC MOTOR CORPORATION

ISSUED BY B. ANDRADE	REVIEWED BY M. LARGENT	ENGINEER APPROVED B. GAITAN	REV D
-------------------------	---------------------------	--------------------------------	----------

ALL DIMENSIONS ARE FOR REFERENCE ONLY UNLESS TOLERANCE IS GIVEN			
TITLE ASSEMBLED VIEW	CODE V01	ITEM NO. 754920	SIZE A