



COMMERCIAL GAS REPLACEMENT PARTS LIST

Ultra High Efficiency (eF Series®) 60 and 100 Gallon Models

Including:
100 Gallon Top Water Connections
100 Gallon Side Water Connections (-2 series)
60 Gallon Side Water Connections (-2 series)

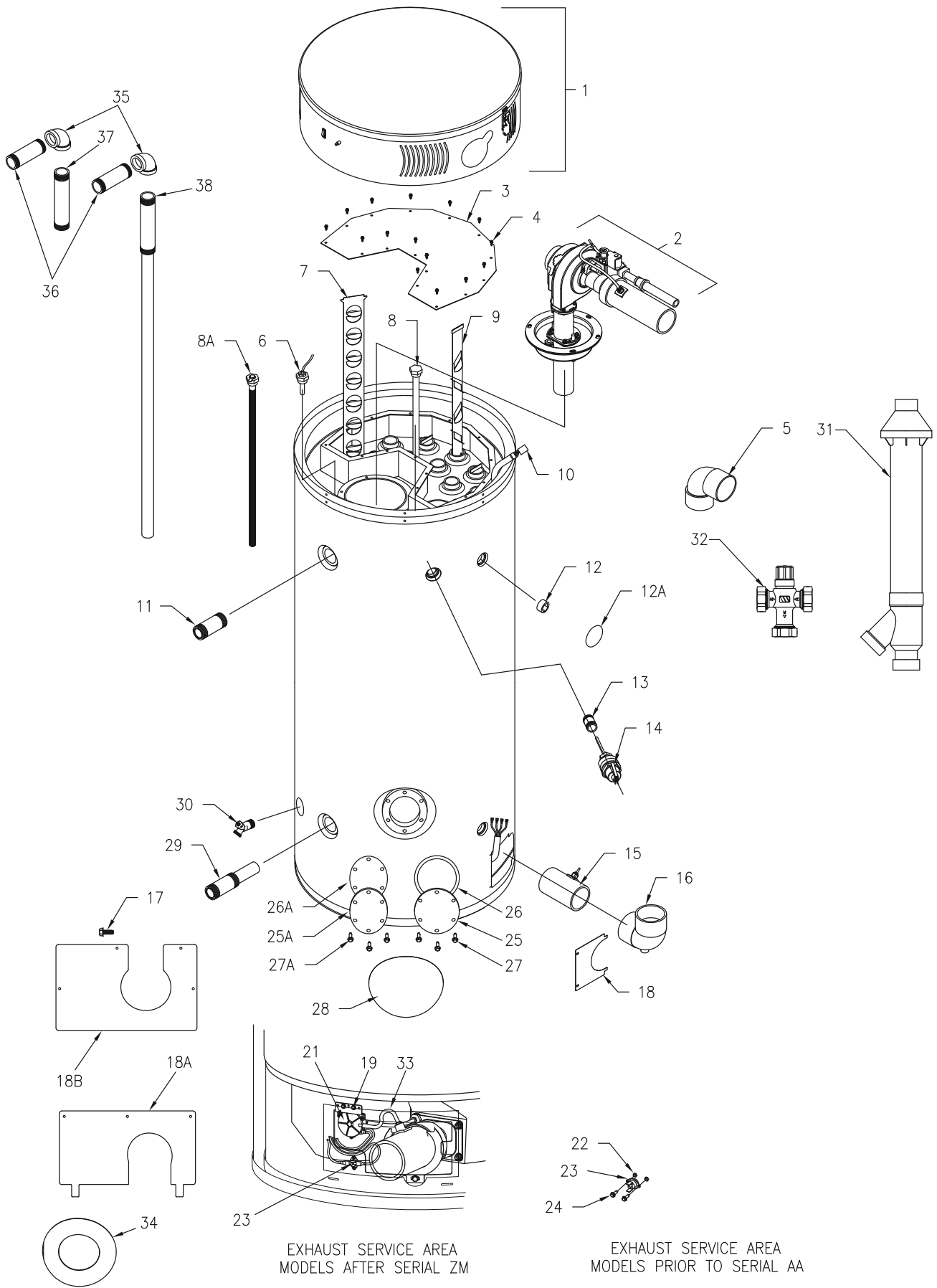


Includes Hydrojet®
Total Performance System

Effective: February, 2014
ECO 7918

**NOTE: BOTH MODEL AND SERIAL
NUMBERS ARE REQUIRED FOR
ORDERING REPLACEMENT PARTS**

Dimensions and specifications
subject to change without notice.



EXHAUST SERVICE AREA
MODELS AFTER SERIAL ZM

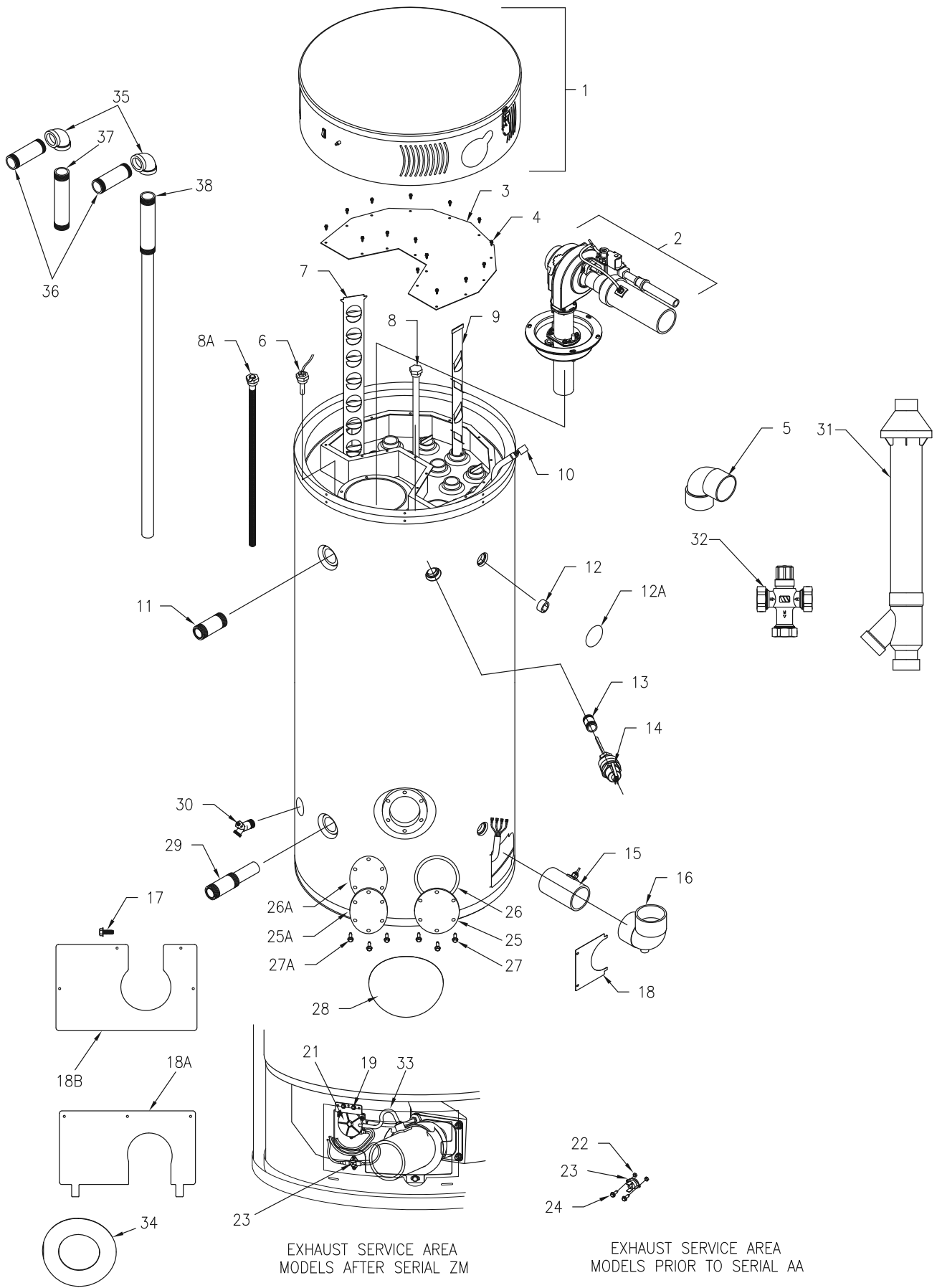
EXHAUST SERVICE AREA
MODELS PRIOR TO SERIAL AA

Item	Description	Model	Model	Model	Model
		EF60T125(E)*(N,X)(A)2	EF60T150(E)*(N,X)(A)2	EF60T199(E)*(N,X)(A)2	EF100T150(E)*(N,X)(A)(2)
1	Combustion Surround Assembly	See Page 14	See Page 14	See Page 14	See Page 14
2	Combustion System Assembly	See Page 10	See Page 10	See Page 10	See Page 10
3	Collector Cover Second Pass	239-43454-00	239-43454-00	239-43454-00	239-43454-00
4	Screw-Second Pass Collector Cover	239-44444-00	239-44444-00	239-44444-00	239-44444-00
5	Elbow-Vent Terminal (2 Req'd)	239-40579-00	239-40579-00	239-40579-00	239-40579-00
6	Temperature sensor	239-82034-00	239-82034-00	239-82034-00	239-82034-00
7	Baffle 4" Flue (2 Req'd)	243-43304-00	243-43304-00	243-43304-00	---
8	Anode Rod (magnesium) (4 Req'd)	224-47782-13	224-47782-13	224-47782-13	224-47782-08
	Anode Rod (Aluminium) (4 Req'd)	224-38508-06	224-38508-06	224-38508-06	224-38508-01
	Anode Rod (A420 Aluminum) (4 Req'd)#	224-49560-08	224-49560-08	224-49560-08	224-49560-08
8A	Power Anode	---	---	---	---
9	Baffle 2" Flue (8 Req'd)	239-45659-00	239-45659-00	239-45659-00	239-45658-00
10	Wire Harness-Service Panel	239-43358-02	239-43358-02	239-43358-02	239-43358-01
11	Nipple Hot Water Outlet Plastisert (front connect)	229-40913-07	229-40913-07	229-40913-07	229-40913-07
12	Pipe Plug 1" NPT	239-02048-00	239-02048-00	239-02048-00	239-02048-00
12A	Hole Closure	239-31547-02	239-31547-02	239-31547-02	239-31547-02
13	Nipple Plastisert 3/4" NPT x 2"	229-32762-02	229-32762-02	229-32762-02	229-32762-02
14	T&P Relief Valve	230-30246-00	230-30246-00	230-30246-00	230-30246-00
15	Exhaust Pipe (PVC) with Hose Barb	239-45971-00	239-45971-00	239-45971-00	239-45971-00
16	Condensate Elbow	239-43211-00	239-43211-00	239-43211-00	239-43211-00
17	Screw Service Panel (serial prior to AA)	239-42637-00	239-42637-00	239-42637-00	239-42637-00
18	Outer Door Service Panel (serial prior to AA)	243-43278-00	243-43278-00	243-43278-00	243-43278-00
18A	Outer Door EF series (serial after ZM)	243-44668-00	243-44668-00	243-44668-00	243-44668-00
18B	Outer Door	---	---	---	---
19	Screw-Second Pass Collector Cover	239-44444-00	239-44444-00	239-44444-00	239-44444-00
20	Service Panel Bracket (serial prior to AA)	See Note	See Note	See Note	See Note
21	Exhaust Pressure Switch:	---	---	---	---
	Serial prior to AA (external pressure switch kit)	265-45222-04	265-45222-03	265-45222-01	265-45222-01
	Serial AA thru CE7818522	239-44723-04	239-44723-03	239-44723-01	239-44723-02
	Serial CE7818523 & after	239-46037-01	239-46037-01	239-46037-01	239-46037-01
22	Keps Nut	239-81844-00	239-81844-00	239-81844-00	239-81844-00
23	Resettable Limit Switch	239-43238-02	239-43238-02	239-43238-02	239-43238-02
24	Screw 6-32 x 3/8	239-81843-00	239-81843-00	239-81843-00	239-81843-00
25	Cleanout Cover	205-18428-00	205-18428-00	205-18428-00	205-18428-00
26	Cleanout Gasket	205-18427-00	205-18427-00	205-18427-00	205-18427-00

* Applies to all warranties

A420 Anode may need to be cut to length

Note: Service panel bracket no longer available.
 Replace with external pressure switch kit for
 serials prior to AA.



EXHAUST SERVICE AREA
MODELS AFTER SERIAL ZM

EXHAUST SERVICE AREA
MODELS PRIOR TO SERIAL AA

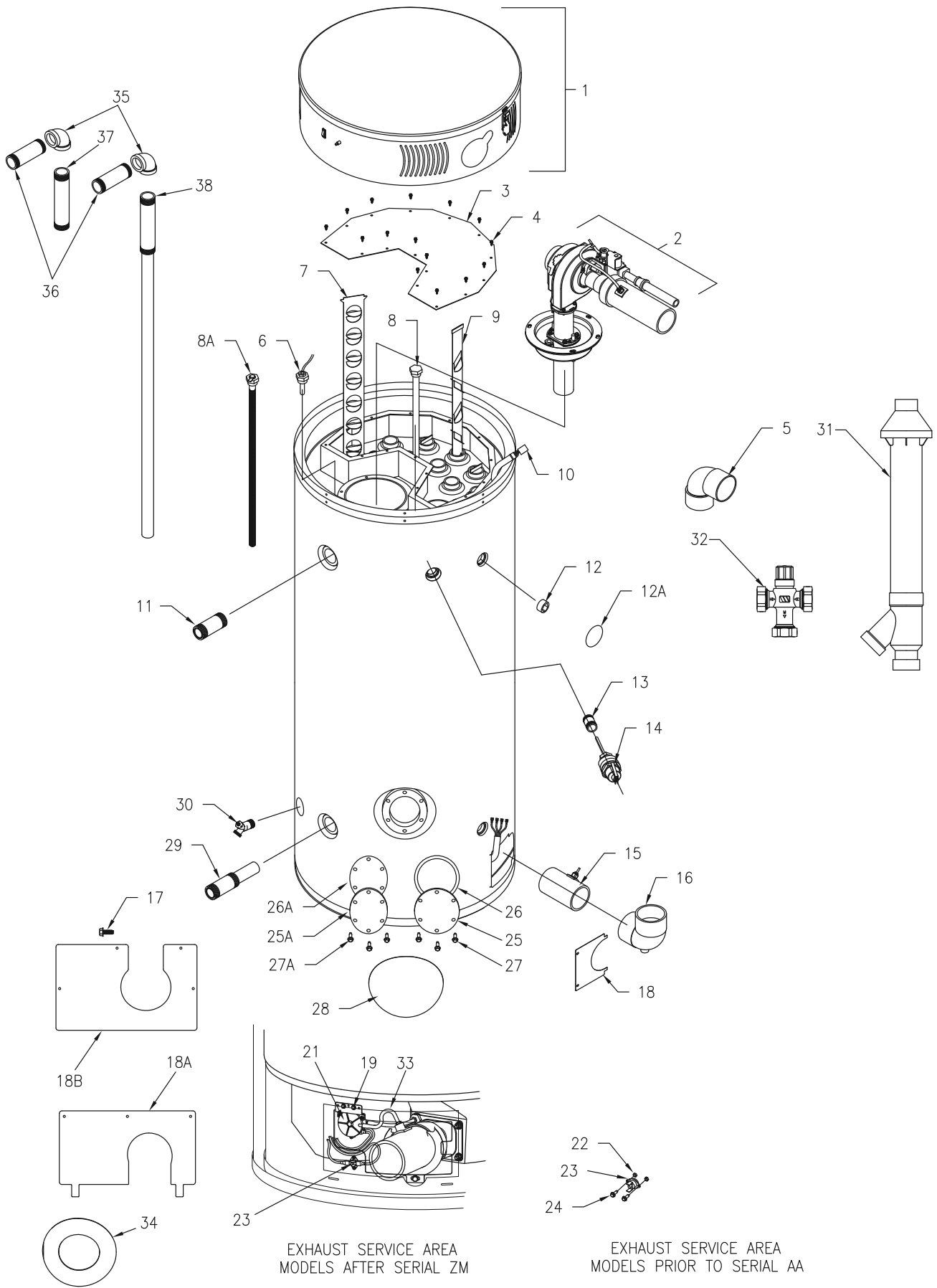
Item	Description	Model	Model	Model	Model
		EF60T125(E)*(N,X)(A)2	EF60T150(E)*(N,X)(A)2	EF60T199(E)*(N,X)(A)2	EF100T150(E)*(N,X)(A)(2)
27	Screw 5/16 - 18 x 1/2	239-82166-00	239-82166-00	239-82166-00	239-82166-00
25A	Cleanout Cover (ASME)	205-32941-00	205-32941-00	205-32941-00	205-32941-00
26A	Cleanout Gasket (ASME)	205-32942-00	205-32942-00	205-32942-00	205-32942-00
27A	Screw 5/16 - 18 x 1/2 (ASME)	239-32970-00	239-32970-00	239-32970-00	239-32970-00
28	Clean Out Access Cover	243-20299-00	243-20299-00	243-20299-00	243-20299-00
29	Inlet tube Hydrojet (front connect)	229-44375-00	229-44375-00	229-44375-00	229-44375-00
30	Drain Valve Brass (no handle)	265-42351-02	265-42351-02	265-42351-02	265-42351-02
31	Coaxial Vent Terminal Horz./Vert. 3"	239-44069-01	239-44069-01	239-44069-01	239-44069-01
32	ASSE Approved Mixing Valve (Optional)	239-43740-02	239-43740-02	239-43740-02	239-43740-02
33	Silicone Tubing 3/16" I.D.	239-41718-00	239-41718-00	239-41718-00	239-41718-00
34	Exhaust Escutcheon	239-43997-00	239-43997-00	239-43997-00	239-43997-00
35	Elbow 1-1/2 NPT Galvanized (serial prior to AB)	---	---	---	239-43374-00
36	Horizontal Inlet/Outlet nipple (serial prior to AB)	---	---	---	229-40913-01
37	Vertical Outlet Nipple (serial prior to AB)	---	---	---	229-41573-02
38	Cold Water Inlet Dip Tube (serial prior to AB)	---	---	---	229-43192-06

* Applies to all warranties

A420 Anode may need to be cut to length

Note: Service panel bracket no longer available.

Replace with external pressure switch kit for serials prior to AA.

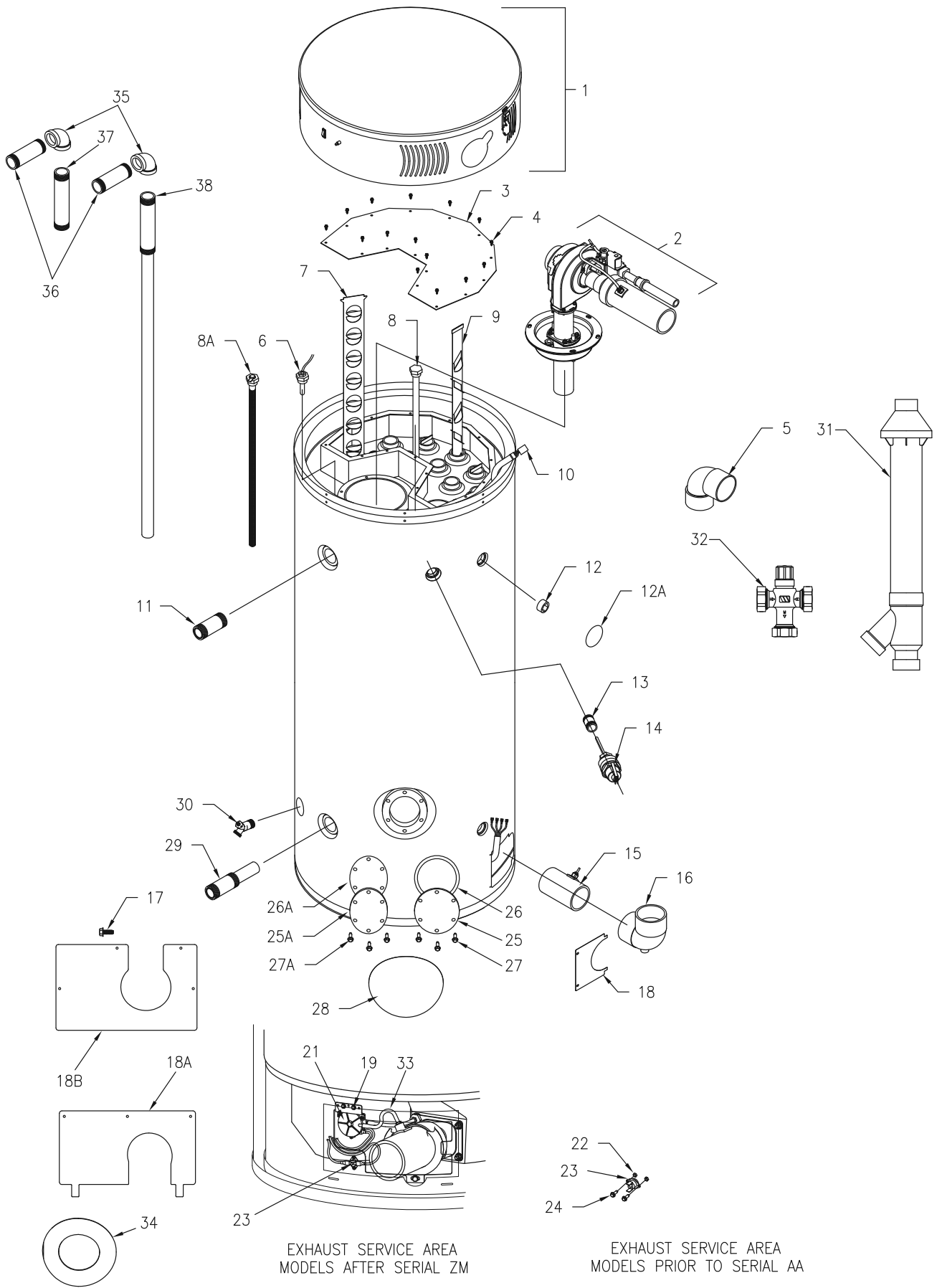


EXHAUST SERVICE AREA
MODELS AFTER SERIAL ZM

EXHAUST SERVICE AREA
MODELS PRIOR TO SERIAL AA

Item	Description	Model	Model	Model	Model
		EF100T199(E)*(N,X)(A)2	EF100T250(E)*(N,X)(A)2	EF100T300(E)*(N,X)(A)2	EF100T399(E)*(N,X)(A)2
1	Combustion Surround Assembly	See Page 16	See Page 16	See Page 16	See Page 16
2	Combustion System Assembly	See Page 12	See Page 12	See Page 12	See Page 12
3	Collector Cover Second Pass	239-43454-00	239-43454-00	239-43454-00	239-43454-00
4	Screw-Second Pass Collector Cover	239-44444-00	239-44444-00	239-44444-00	239-44444-00
5	Elbow-Vent Terminal (2 Req'd)	239-40579-00	239-40579-00	239-40579-00	239-40579-00
6	Temperature sensor	239-82034-00	239-82034-00	239-82034-00	239-82034-00
7	Baffle 4" Flue (2 Req'd)	243-43304-00	243-43304-00	243-43304-00	239-46099-00
8	Anode Rod (magnesium) (4 Req'd)	224-47782-08	224-47782-08	224-47782-08	224-47782-12
	Anode Rod (Aluminium) (4 Req'd)	224-38508-01	224-38508-01	224-38508-01	
	Anode Rod (A420 Aluminum) (4 Req'd)#	224-49560-08	224-49560-08	224-49560-08	224-49560-08 (3 Req'd)
8A	Power Anode	---	---	---	224-46075-00 (2 Req'd)
9	Baffle 2" Flue (8 Req'd)	239-45658-00	239-45658-00	239-45658-00	239-45658-00
10	Wire Harness-Service Panel	239-43358-01	239-43358-01	239-43358-01	239-43358-01
11	Nipple Hot Water Outlet Plastisert (front connect)	229-40913-07	229-40913-07	229-40913-07	229-40913-07
12	Pipe Plug 1" NPT	239-02048-00	239-02048-00	239-02048-00	239-02048-00
12A	Hole Closure	239-31547-02	239-31547-02	239-31547-02	239-31547-02
13	Nipple Plastisert 3/4" NPT x 2"	229-32762-02	239-80982-00	239-80982-00	239-80982-00
14	T&P Relief Valve	230-30246-00	230-33630-04	230-33630-04	230-33630-04
15	Exhaust Pipe (PVC) with Hose Barb	239-45971-00	239-45971-00	239-45971-00	---
16	Condensate Elbow	239-43211-00	239-43211-00	239-43211-00	239-46227-00
17	Screw Service Panel (serial prior to AA)	239-42637-00	239-42637-00	239-42637-00	---
18	Outer Door Service Panel (serial prior to AA)	243-43278-00	243-43278-00	243-43278-00	---
18A	Outer Door EF series (serial after ZM)	243-44668-00	243-44668-00	243-44668-00	---
18B	Outer Door	---	---	---	243-46231-00
19	Screw-Second Pass Collector Cover	239-44444-00	239-44444-00	239-44444-00	239-44444-00
20	Service Panel Bracket (serial prior to AA)	See Note	See Note	See Note	---
21	Exhaust Pressure Switch:	---	---	---	239-46037-01
	Serial prior to AA (external pressure switch kit)	265-45222-03	---	---	---
	Serial AA thru CE7818522	239-44723-03	239-44723-05	239-44723-05	---
	Serial CE7818523 & after	239-46037-01	239-46037-01	239-46037-01	---
22	Keps Nut	239-81844-00	239-81844-00	239-81844-00	239-81844-00
23	Resettable Limit Switch	239-43238-02	239-43238-02	239-43238-02	239-43238-02
24	Screw 6-32 x 3/8	239-81843-00	239-81843-00	239-81843-00	239-81843-00
25	Cleanout Cover	205-18428-00	205-18428-00	205-18428-00	205-18428-00
26	Cleanout Gasket	205-18427-00	205-18427-00	205-18427-00	205-18427-00

* Applies to all warranties
A420 Anode may need to be cut to length
Note: Service panel bracket no longer available.
Replace with external pressure switch kit for serials prior to AA.



EXHAUST SERVICE AREA
MODELS AFTER SERIAL ZM

EXHAUST SERVICE AREA
MODELS PRIOR TO SERIAL AA

Item	Description	Model	Model	Model	Model
		EF100T199(E)*(N,X)(A)2	EF100T250(E)*(N,X)(A)2	EF100T300(E)*(N,X)(A)2	EF100T399(E)*(N,X)(A)2
27	Screw 5/16 - 18 x 1/2	239-82166-00	239-82166-00	239-82166-00	239-82166-00
25A	Cleanout Cover (ASME)	205-32941-00	205-32941-00	205-32941-00	205-32941-00
26A	Cleanout Gasket (ASME)	205-32942-00	205-32942-00	205-32942-00	205-32942-00
27A	Screw 5/16 - 18 x 1/2 (ASME)	239-32970-00	239-32970-00	239-32970-00	239-32970-00
28	Clean Out Access Cover	243-20299-00	243-20299-00	243-20299-00	243-20299-00
29	Inlet tube Hydrojet (front connect)	229-44375-00	229-44375-00	229-44375-00	229-44375-00
30	Drain Valve Brass (no handle)	265-42351-02	265-42351-02	265-42351-02	265-42351-02
31	Coaxial Vent Terminal Horz./Vert. 3"	239-44069-01	239-44069-01	239-44069-01	239-44069-01
32	ASSE Approved Mixing Valve (Optional)	239-43740-02	239-43740-02	239-43740-02	239-43740-02
33	Silicone Tubing 3/16" I.D.	239-41718-00	239-41718-00	239-41718-00	---
34	Exhaust Escutcheon	239-43997-00	239-43997-00	239-43997-00	239-43997-00
35	Elbow 1-1/2 NPT Galvanized (serial prior to AB)	239-43374-00	239-43374-00	239-43374-00	---
36	Horizontal Inlet/Outlet nipple (serial prior to AB)	229-40913-01	229-40913-01	229-40913-01	---
37	Vertical Outlet Nipple (serial prior to AB)	229-41573-02	229-41573-02	229-41573-02	---
38	Cold Water Inlet Dip Tube (serial prior to AB)	229-43192-06	229-43192-06	229-43192-06	---

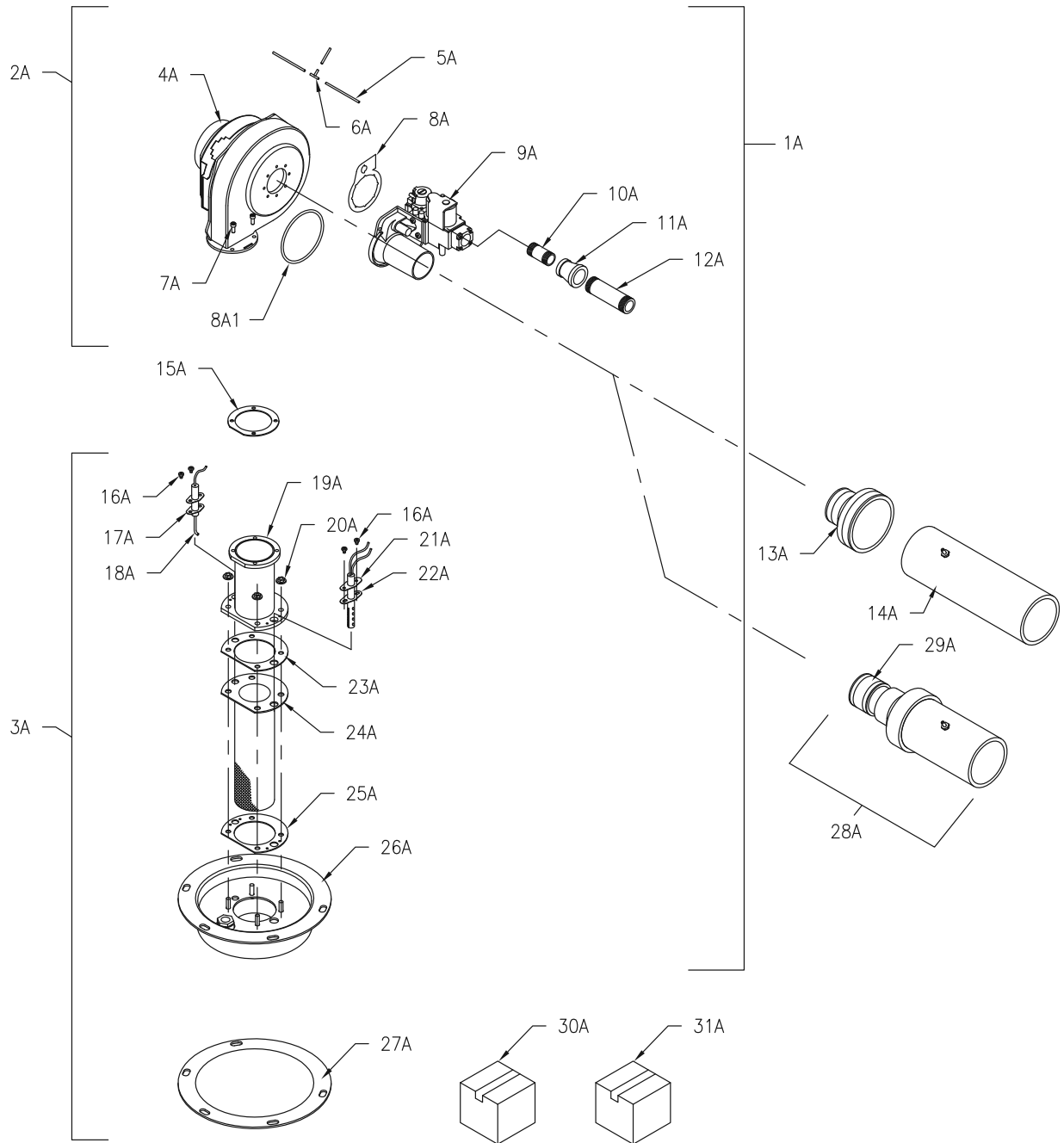
* Applies to all warranties

A420 Anode may need to be cut to length

Note: Service panel bracket no longer available.

Replace with external pressure switch kit for serials prior to AA.

COMBUSTION SYSTEM ASSEMBLY



Combustion System Assembly

Item	Description	Model	Model	Model	Model
		EF60T125(E)*(N,X)(A)2	EF60T150(E)*(N,X)(A)2	EF60T199(E)*(N,X)(A)2	EF100T150(E)*(N,X)(A)(2)
1A	Combustion System Assembly Complete (Natural):	265-46025-01	265-47153-01	265-46025-05	265-47153-01
	Combustion System Assembly Complete (LP):	265-46025-02	265-47153-02	265-46025-06	265-47153-02
2A	Blower/Gas valve Assembly (Natural):	243-46009-01	265-47152-01	243-46010-01	265-47152-01
	Blower/Gas valve Assembly (LP)	243-46009-02	265-47152-02	243-46010-02	265-47152-02
3A	Burner Assembly	265-46023-00	265-46023-00	265-46023-00	265-46023-00
4A	Blower-EBM (with gasket)	265-44037-00	265-44037-00	265-43229-00	265-44037-00 ¹
	Blower-EBM	---	---	---	265-43229-00 ²
5A	Hose Tubing 3/16" I.D.	239-41718-00	239-41718-00	239-41718-00	239-41718-00
6A	Tee Hose Connector	239-43446-00	239-43446-00	239-43446-00	239-43446-00
7A	Screw 10-32 x 3/4 SHCS	239-43273-00	239-43273-00	239-43273-00	239-43273-00
8A	Gasket Venturi to blower	239-44654-00	239-44654-00	239-44654-00	239-44654-00
8A1	O-ring Venturi to Blower	---	---	---	---
9A	Gas valve assembly (Natural):	243-46007-01	265-47151-00	243-46007-02	265-47151-00
	Gas valve assembly (LP):	243-46008-01	265-47154-00	243-46008-02	265-47154-00
10A	Nipple 1/2 NPT x 3"	239-37047-00	239-37047-00	239-37047-00	239-37047-00
11A	Reducer 3/4 x 1/2 NPT	239-04474-00	239-04474-00	239-04474-00	239-04474-00
12A	Nipple 3/4 NPT x 6"	239-43373-00	239-43373-00	239-43373-00	239-43373-00
13A	2" x 3" Dia. Flex Reducer	239-40902-00	239-40902-00	239-40902-00	239-40902-00
14A	Inlet Tube (PVC)	239-43364-01	239-43364-01	239-43364-01	239-43364-01
15A	Gasket Blower Transition	239-43241-00	239-43241-00	239-43241-00	239-43241-00
16A	Screw 8-32 x 1/4 RHCR	239-43272-00	239-43272-00	239-43272-00	239-43272-00
17A	Gasket Flame Sensor	239-43371-00	239-43371-00	239-43371-00	239-43371-00
18A	Flame Sensor W/Gasket	265-43232-00	265-43232-00	265-43232-00	265-43232-00
19A	Weldment -Blower Transition	239-43201-00	239-43201-00	239-43201-00	239-43201-00
20A	Nut Hex Washer	239-43297-00	239-43297-00	239-43297-00	239-43297-00
21A	Hot Surface Igniter W/Gasket	265-45543-00	265-45543-00	265-45543-00	265-45543-00
22A	Gasket-Hot Surface Igniter	239-43370-00	239-43370-00	239-43370-00	239-43370-00
23A	Burner Mounting Gasket	239-43246-00	239-43246-00	239-43246-00	239-43246-00
24A	Burner Tube with gasket	265-45624-00	265-45624-00	265-45624-00	265-45624-00
25A	Burner Mounting Gasket	239-43246-00	239-43246-00	239-43246-00	239-43246-00
26A	Burner Mounting Insert	239-43167-00	239-43167-00	239-43167-00	239-43167-00
27A	Gasket-burner Mounting Insert**	239-43197-00	239-43197-00	239-43197-00	239-43197-00
28A	Assembly Air Inlet Piping	---	---	---	---
29A	Coupling-Flexible 2" x 2"	---	---	---	---
30A	Gas Regulator Kit (optional)	243-45517-01	243-45517-01	243-45517-01	243-45517-01
31A	LP to Natural Gas Conversion Kit (optional):	265-46391-01	265-46391-02	265-46391-02	265-46391-02

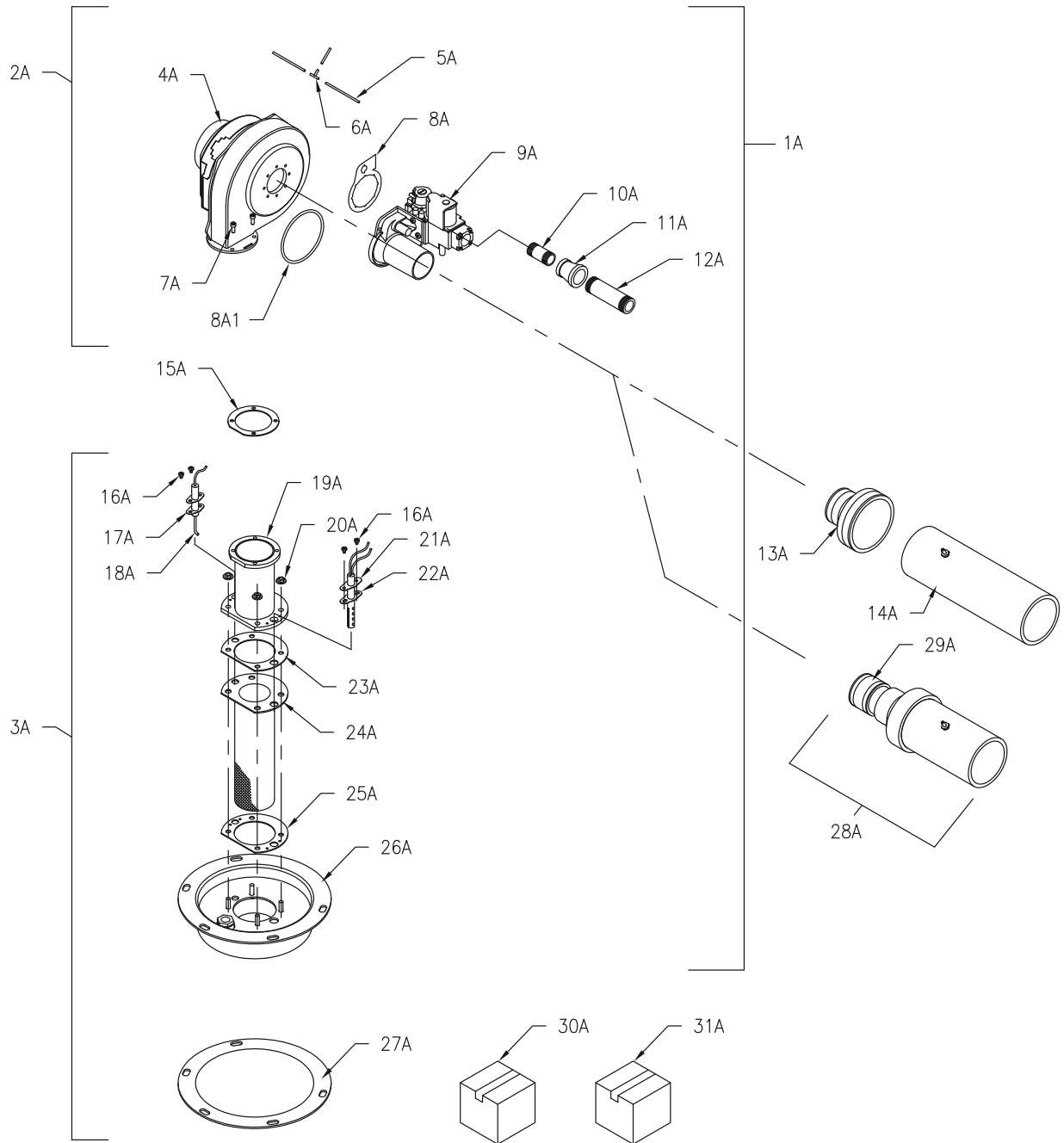
* Applies to all warranties

**Included in item 3A

¹ For serial AH5039100 & after.

² For serial prior to AH5039100.

COMBUSTION SYSTEM ASSEMBLY



Combustion System Assembly

Item	Description	Model	Model	Model	Model
		EF100T199(E)*(N,X)(A)(2)	EF100T250(E)*(N,X)(A)(2)	EF100T300(E)*(N,X)(A)(2)	EF100T399(E)*(N,X)(A)2
1A	Combustion System Assembly Complete (Natural):	265-46025-05	265-46025-07	265-46025-09	243-46156-01
	Combustion System Assembly Complete (LP):	265-46025-06	265-46025-08	265-46025-10	243-46156-02
2A	Blower/Gas valve Assembly (Natural):	243-46010-01	243-46010-03	243-46010-05	243-46153-01
	Blower/Gas valve Assembly (LP)	243-46010-02	243-46010-04	243-47601-06	243-46153-02
3A	Burner Assembly	265-46023-00	265-46024-00	265-46024-00	265-46024-00
4A	Blower-EBM (with gasket)	239-43229-00	265-43229-00	265-43229-00	265-46098-00
	Blower-EBM	---	---	---	---
5A	Hose Tubing 3/16" I.D.	239-41718-00	239-41718-00	239-41718-00	239-41718-00
6A	Tee Hose Connector	239-43446-00	239-43446-00	239-43446-00	---
7A	Screw 10-32 x 3/4 SHCS	239-43273-00	239-43273-00	239-43273-00	239-43273-00
8A	Gasket Venturi to blower	239-44654-00	239-44654-00	239-44654-00	---
8A1	O-ring Venturi to Blower	---	---	---	239-46232-00
9A	Gas valve assembly (Natural):	243-46007-02	243-46007-03	243-46007-04	243-46151-01
	Gas valve assembly (LP):	243-46008-02	243-46008-03	243-46008-04	243-46151-02
10A	Nipple 1/2 NPT x 3"	239-37047-00	239-37047-00	239-37047-00	239-31811-00
11A	Reducer 3/4 x 1/2 NPT	239-04474-00	239-04474-00	239-04474-00	239-46144-00
12A	Nipple 3/4 NPT x 6"	239-43373-00	239-43373-00	239-43373-00	239-81595-00
13A	2" x 3" Dia. Flex Reducer	239-40902-00	239-40902-00	239-40902-00	---
14A	Inlet Tube (PVC)	239-43364-01	239-43364-01	239-43364-01	---
15A	Gasket Blower Transition	239-43241-00	239-43241-00	239-43241-00	239-43241-00
16A	Screw 8-32 x 1/4 RHCR	239-43272-00	239-43272-00	239-43272-00	239-43272-00
17A	Gasket Flame Sensor	239-43371-00	239-43371-00	239-43371-00	239-43371-00
18A	Flame Sensor W/Gasket	265-43232-00	265-43232-00	265-43232-00	265-43232-00
19A	Weldment -Blower Transition	239-43201-00	239-43201-00	239-43201-00	239-43201-00
20A	Nut Hex Washer	239-43297-00	239-43297-00	239-43297-00	239-43297-00
21A	Hot Surface Igniter W/Gasket	265-45543-00	265-45543-00	265-45543-00	265-45543-00
22A	Gasket-Hot Surface Igniter	239-43370-00	239-43370-00	239-43370-00	239-43370-00
23A	Burner Mounting Gasket	239-43246-00	239-43246-00	239-43246-00	239-43246-00
24A	Burner Tube with gasket	265-45624-00	265-46019-00	265-46019-00	265-46019-00
25A	Burner Mounting Gasket	239-43246-00	239-43246-00	239-43246-00	239-43246-00
26A	Burner Mounting Insert	239-43167-00	239-43167-00	239-43167-00	239-43167-00
27A	Gasket-burner Mounting Insert**	239-43197-00	239-43197-00	239-43197-00	239-43197-00
28A	Assembly Air Inlet Piping	---	---	---	239-46147-00
29A	Coupling-Flexible 2" x 2"	---	---	---	239-46146-00
30A	Gas Regulator Kit (optional)	243-45517-01	243-45517-01	243-45517-01	---
31A	LP to Natural Gas Conversion Kit (optional):	265-46391-02	265-46391-03	265-46391-03	265-46391-05

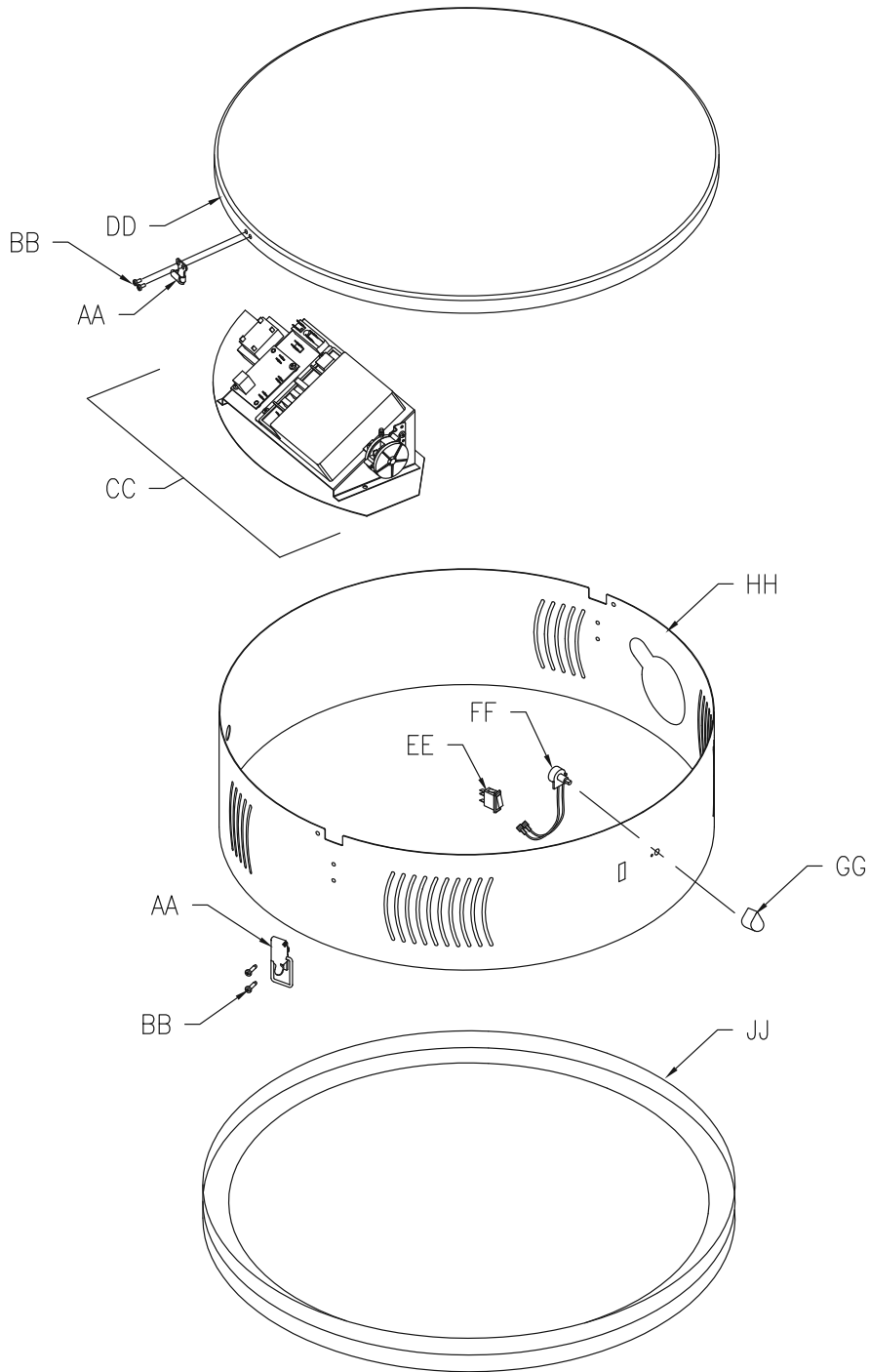
* Applies to all warranties

**Included in item 3A

¹ For serial AH5039100 & after.

² For serial prior to AH5039100.

COMBUSTION SURROUND ASSEMBLY



Combustion Surround Assembly

Item	Description	Model	Model	Model	Model
		EF60T125(E)*(N,X)(A)2	EF60T150(E)*(N,X)(A)2	EF60T199(E)*(N,X)(A)2	EF100T150(E)*(N,X)(A)(2)
AA	Keeper Latch & Catch	239-43239-00	239-43239-00	239-43239-00	239-43239-00
BB	Screw 8-32 x 1/2 RHCR	239-41715-00	239-41715-00	239-41715-00	239-41715-00
CC	Ignition Control assembly	See Page 10	See Page 10	See Page 10	See Page 20
DD	Jacket Head	243-43240-02	243-43240-02	243-43240-02	243-43240-02
EE	Main Power Switch	239-43234-00	239-43234-00	239-43234-00	239-43234-00
FF	Temperature control potentiometer	233-82054-00	233-82054-00	233-82054-00	233-82054-00
GG	Knob-Temperature Control	239-43235-00	239-43235-00	239-43235-00	239-43235-00
HH	Combustion Surround Front Connect ¹	243-46148-00-01	243-46148-00-01	243-46148-00-01	243-46148-00-01
HH	Combustion Surround Top Connect ²	239-43261-00-01	239-43261-00-01	239-43261-00-01	239-43261-00-01
JJ	Combustion Surround Base	243-43710-00-01	243-43710-00-01	243-43710-00-01	243-43710-00-01

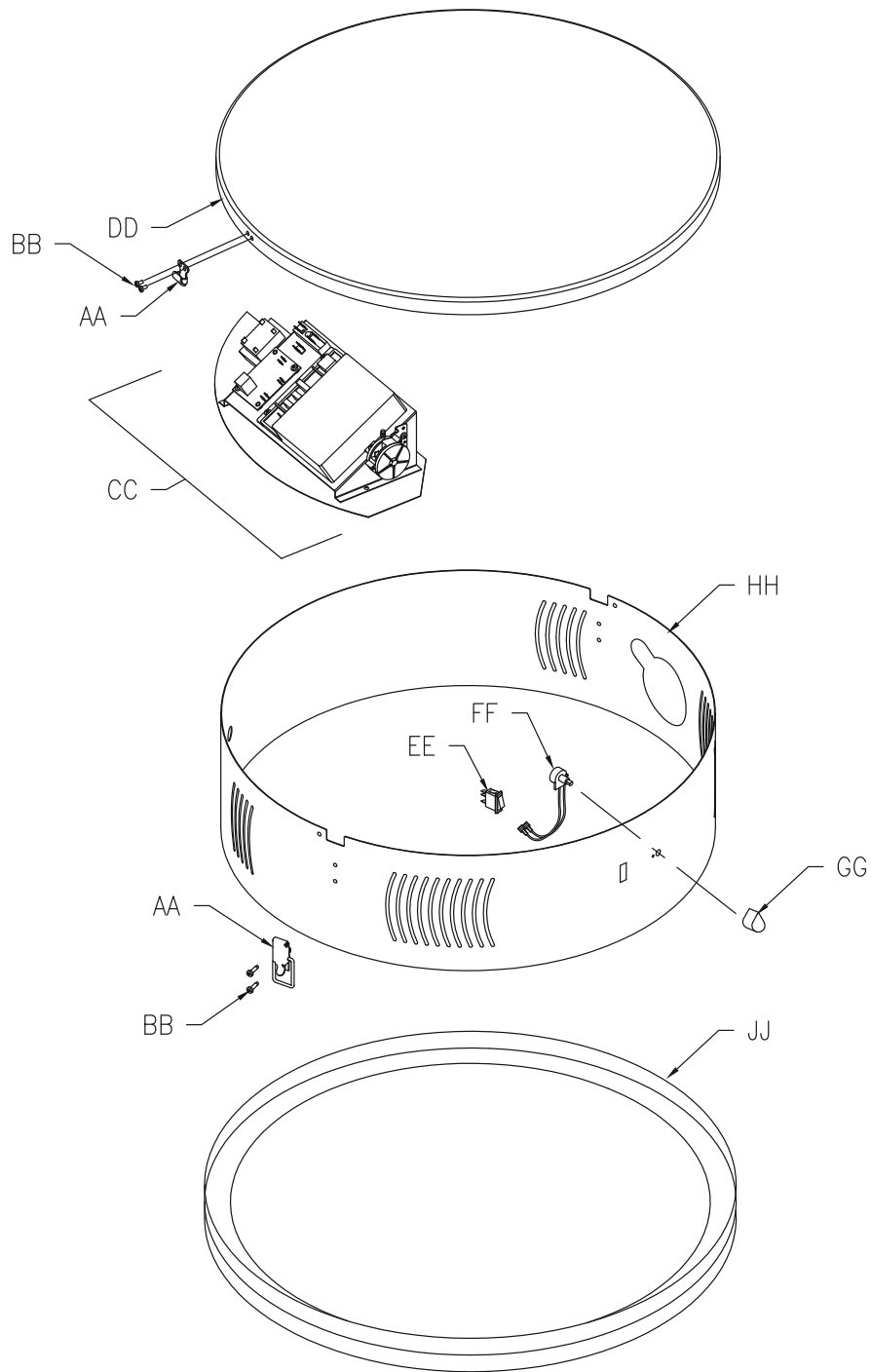
* Applies to all warranties

A420 Anode may need to be cut to length

¹ All 60 gal. Models, 100 gal models after serial AA

² 100 gal. Models prior to serial AB

COMBUSTION SURROUND ASSEMBLY



Combustion Surround Assembly

Item	Description	Model	Model	Model	Model
		EF100T199(E)*(N,X)(A)(2)	EF100T250(E)*(N,X)(A)(2)	EF100T300(E)*(N,X)(A)(2)	EF100T399(E)*(N,X)(A)2
AA	Keeper Latch & Catch	239-43239-00	239-43239-00	239-43239-00	239-43239-00
BB	Screw 8-32 x 1/2 RHCR	239-41715-00	239-41715-00	239-41715-00	239-41715-00
CC	Ignition Control assembly	See Page 20	See Page 20	See Page 20	See Page 20
DD	Jacket Head	243-43240-02	243-43240-02	243-43240-02	243-43240-02
EE	Main Power Switch	239-43234-00	239-43234-00	239-43234-00	239-43234-00
FF	Temperature control potentiometer	233-82054-00	233-82054-00	233-82054-00	233-82054-00
GG	Knob-Temperature Control	239-43235-00	239-43235-00	239-43235-00	239-43235-00
HH	Combustion Surround Front Connect ¹	243-46148-00-01	243-46148-00-01	243-46148-00-01	243-46148-00-01
HH	Combustion Surround Top Connect ²	239-43261-00-01	239-43261-00-01	239-43261-00-01	239-43261-00-01
JJ	Combustion Surround Base	243-43710-00-01	243-43710-00-01	243-43710-00-01	243-43710-00-01

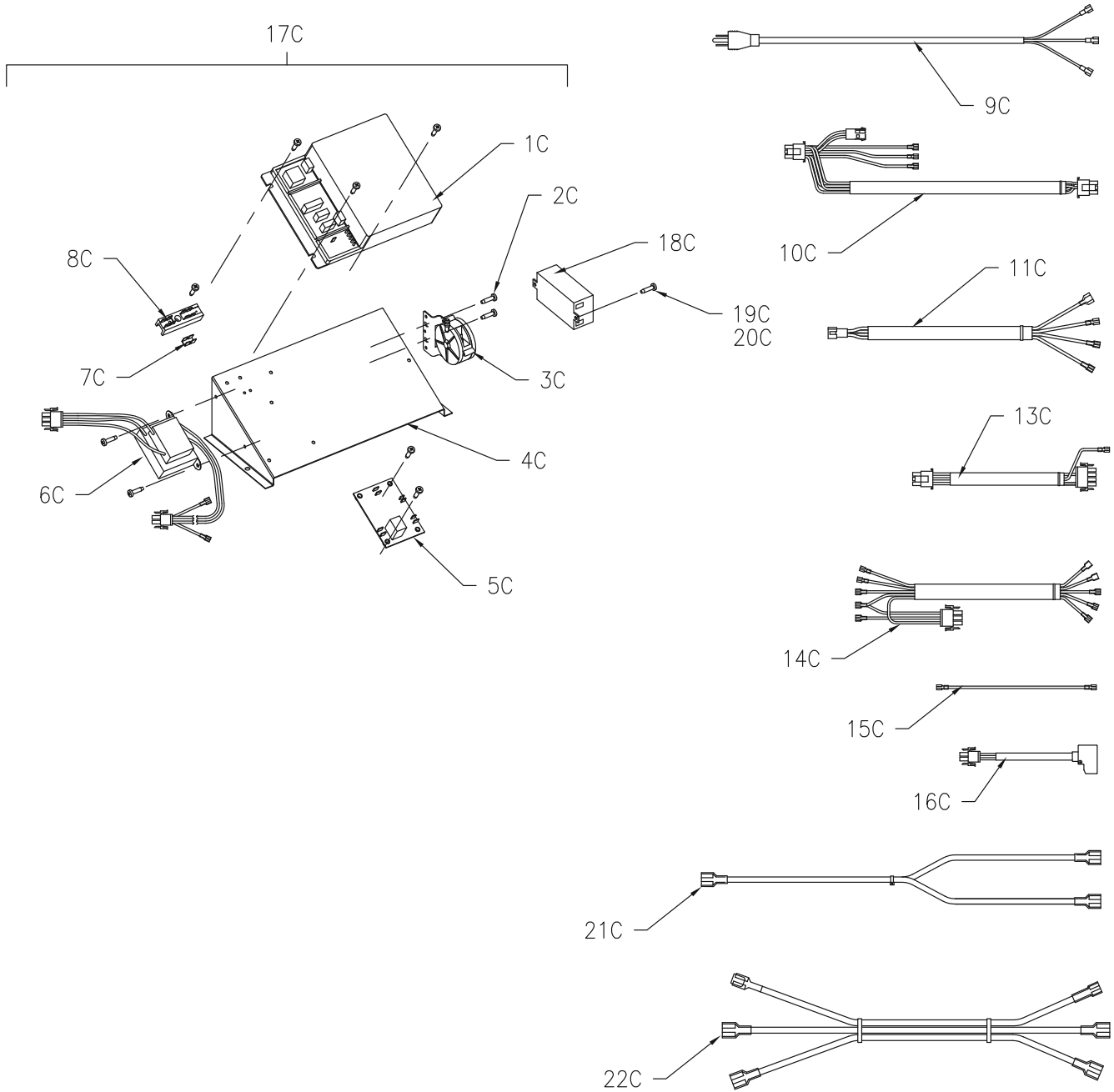
* Applies to all warranties

A420 Anode may need to be cut to length

¹ All 60 gal. Models, 100 gal models after serial AA

² 100 gal. Models prior to serial AB

IGNITION CONTROL ASSEMBLY



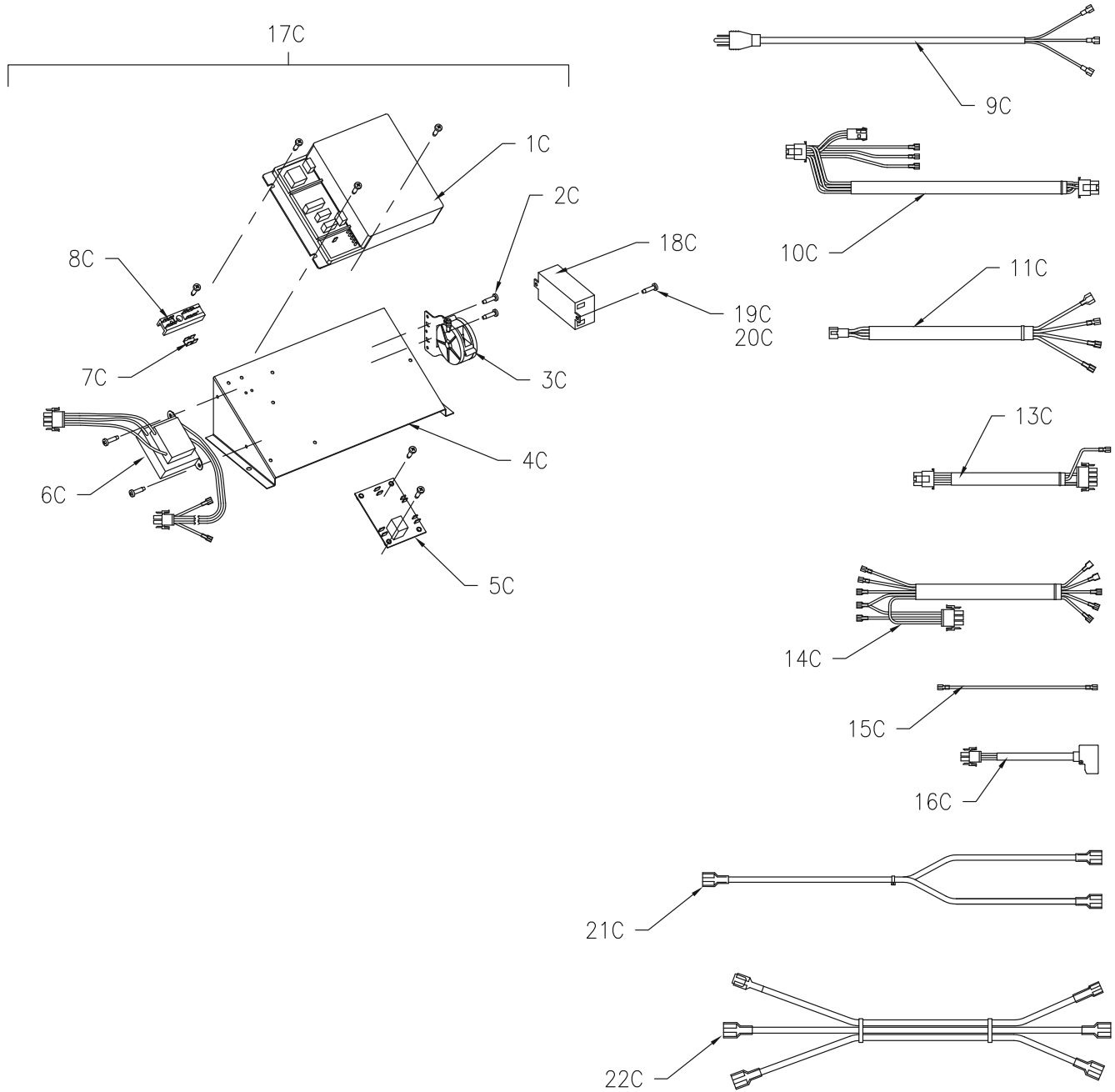
Ignition Control Assembly

Item	Description	Model	Model	Model	Model
		EF60T125(E)*(N,X)(A)2	EF60T150(E)*(N,X)(A)2	EF60T199(E)*(N,X)(A)2	EF100T150(E)*(N,X)(A)(2)
1C	Electronic Control Module	233-46045-00	233-46045-00	233-46045-00	233-46045-00
2C	Screw #8-32 x 1/2 (10 reqd)	239-41715-00	239-41715-00	239-41715-00	239-41715-00
3C	Vacuum Switch-Intake ¹	239-44724-01	239-44724-01	239-44724-01	239-44724-01
4C	Control Mounting Panel	239-43268-00	239-43268-00	239-43268-00	239-43268-00
5C	Thermostat Board	233-41346-00	233-41346-00	233-41346-00	233-41346-00
6C	Transformer	233-43346-00	233-43346-00	233-43346-00	233-43346-00
7C	Ground Terminal	239-80112-00	239-80112-00	239-80112-00	239-80112-00
8C	Terminal Strip	239-80373-00	239-80373-00	239-80373-00	239-80373-00
9C	Power Cord	239-44466-00	239-44466-00	239-44466-00	239-44466-00
10C	Wire Harness-Electronic Control Module:	---	---	---	---
	Serial CE7818523 & after	239-43290-00	239-43290-00	239-43290-00	239-43290-00
	Serial Prior to CE7818523	Call Tech Support	Call Tech Support	Call Tech Support	Call Tech Support
11C	Wire Harness-Thermostat & ECO	239-43291-00	239-43291-00	239-43291-00	239-43291-00
13C	Wire Harness-Blower	239-43292-00	239-43292-00	239-43292-00	239-43292-00
14C	Wire Harness-Power Switch	239-43347-00	239-43347-00	239-43347-00	239-43347-00
15C	Wire-Flame Sensor	239-38951-59	239-38951-59	239-38951-59	239-38951-59
16C	Wire Harness-Gas Valve Rectifier	239-43571-00	239-43571-00	239-43571-00	239-43571-00
17C	Ignition Control Assembly	243-43288-00	243-43288-00	243-43288-00	243-43288-00
18C	Potentiostat for Power Anode	---	---	---	---
19C	Screw #4-40 x 3/8 RHCR (2 reqd)	---	---	---	---
20C	Nut #4-40 Hex Keps (2 reqd)(not shown)	---	---	---	---
21C	Harness Power Anode	---	---	---	---
22C	Harness Power Anode Control	---	---	---	---

* Applies to all warranties.

¹ Models prior to serial CE7818523 only

IGNITION CONTROL ASSEMBLY

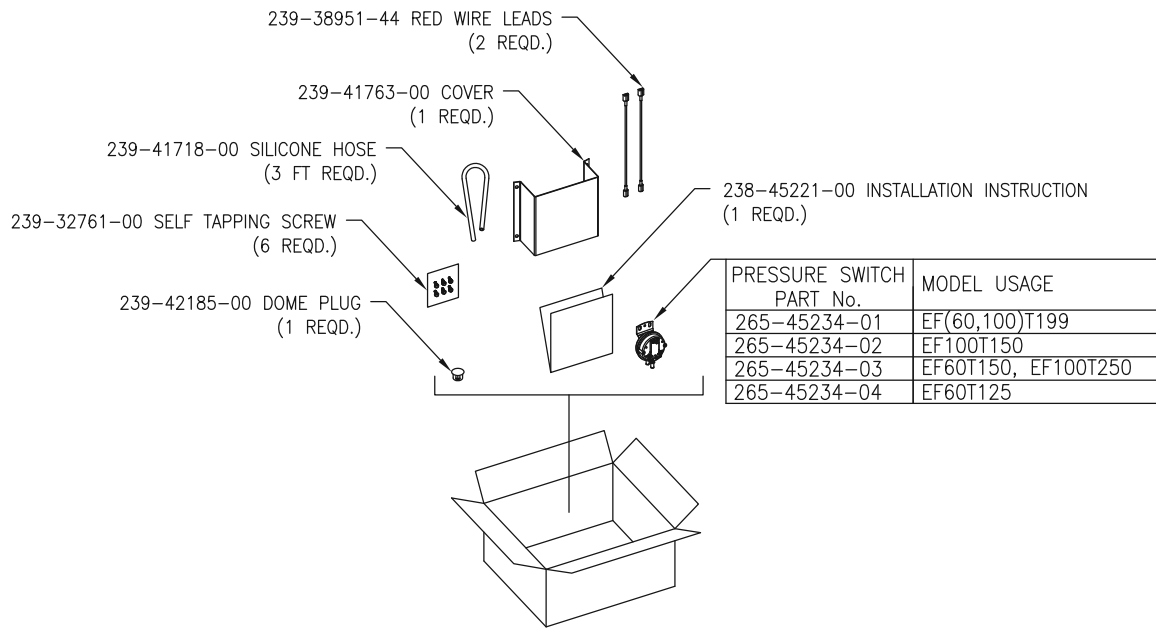


Ignition Control Assembly

Item	Description	Model	Model	Model	Model
		EF100T199(E)*(N,X)(A)(2)	EF100T250(E)*(N,X)(A)(2)	EF100T300(E)*(N,X)(A)(2)	EF100T399(E)*(N,X)(A)2
1C	Electronic Control Module	233-46045-00	233-46045-00	233-46045-00	233-46045-00
2C	Screw #8-32 x 1/2 (10 reqd)	239-41715-00	239-41715-00	239-41715-00	---
3C	Vacuum Switch-Intake ¹	239-44724-01	239-44724-01	239-44724-01	---
4C	Control Mounting Panel	239-43268-00	239-43268-00	239-43268-00	239-43268-00
5C	Thermostat Board	233-41346-00	233-41346-00	233-41346-00	233-41346-00
6C	Transformer	233-43346-00	233-43346-00	233-43346-00	233-43346-00
7C	Ground Terminal	239-80112-00	239-80112-00	239-80112-00	239-80112-00
8C	Terminal Strip	239-80373-00	239-80373-00	239-80373-00	239-80373-00
9C	Power Cord	239-44466-00	239-44466-00	239-44466-00	239-44466-00
10C	Wire Harness-Electronic Control Module:	---	---	---	---
	Serial CE7818523 & after	239-43290-00	239-43290-00	239-43290-00	239-43290-00
	Serial Prior to CE7818523	Call Tech Support	Call Tech Support	Call Tech Support	Call Tech Support
11C	Wire Harness-Thermostat & ECO	239-43291-00	239-43291-00	239-43291-00	239-43291-00
13C	Wire Harness-Blower	239-43292-00	239-43292-00	239-43292-00	239-43292-00
14C	Wire Harness-Power Switch	239-43347-00	239-43347-00	239-43347-00	239-43347-00
15C	Wire-Flame Sensor	239-38951-59	239-38951-59	239-38951-59	239-38951-59
16C	Wire Harness-Gas Valve Rectifier	239-43571-00	239-43571-00	239-43571-00	239-46158-00
17C	Ignition Control Assembly	243-43288-00	243-43288-00	243-43288-00	243-46249-00
18C	Potentiostat for Power Anode	---	---	---	239-46229-00
19C	Screw #4-40 x 3/8 RHCR (2 reqd)	---	---	---	239-46061-00
20C	Nut #4-40 Hex Keps (2 reqd)(not shown)	---	---	---	239-22263-00
21C	Harness Power Anode	---	---	---	239-46070-00
22C	Harness Power Anode Control	---	---	---	239-46247-00

* Applies to all warranties.

¹ Models prior to serial CE7818523 only





BRADFORD WHITE[®]

W A T E R H E A T E R S

Ambler, PA

For U.S. and Canada field service,
contact your professional installer or
local Bradford White sales representative.

Sales/800-523-2931
Fax/215-641-1670
Parts Fax/215-641-2180

Technical Support/800-334-3393
Fax/269-795-1089

Warranty/800-531-2111
Fax/269-795-1089

International:
Telephone/215-641-9400
Telefax/215-641-9750



BRADFORD WHITE-CANADA[®] INC.

Mississauga, ON

Sales/866-690-0961
905-238-0100

Fax/905-238-0105

Technical Support/800-334-3393

Email

parts@bradfordwhite.com
techserv@bradfordwhite.com

www.bradfordwhite.com