



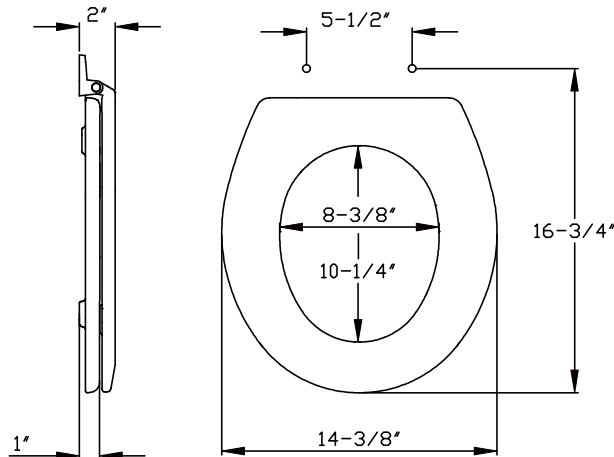
Molded Wood Seats Round Residential



700



Chrome



DETAILS

Molded wood seat for regular bowl. Durable polypropylene skin-over-wood core that won't chip, dent, flatten, flake, scratch or fade.

Standard Features:

- Top mount for easy installation
- Impact-absorbing hinges, no screws to rust or pull out of core
- Integrally-molded, permanent and sanitary color-keyed bumpers will not fall off like conventional wood composition seats
- Corrosion-free hardware
- Withstands cleansers, strong chemicals
- Won't crack, chip or peel like conventional wood composition seats
- Designed for easy cleaning
- Produced using Centoco's patented process

Metal Hinge Features:

- Metal hinges and cross bar made of aluminum with protective finish

Dimensions shown are nominal and may vary within a range of tolerance.