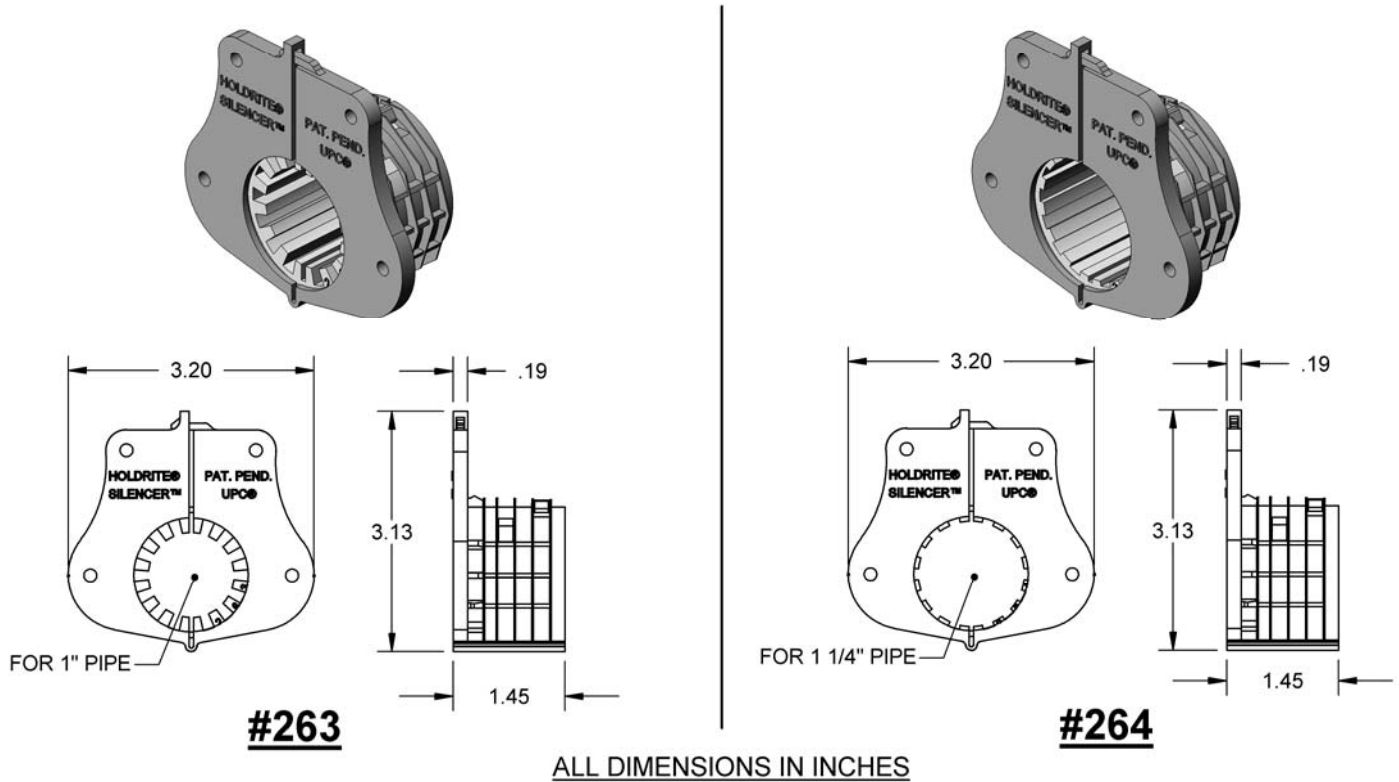


PRODUCT SPECIFICATION DRAWING

HOLDRITE® Silencer™ Through-Stud / Suspension Clamp #263, #264



ALL DIMENSIONS IN INCHES

Model #'s 263 and 264 can be used as a suspension hanger, e.g., from a joist or cross-member or a Holdrite® Stout Bracket, or as a through-hole isolator in wood or metal framing. As a through-hole isolator, mounts in 2" hole in wood or sheet metal up to 14 gage. Secures and retains tubing while providing superior acoustical isolation between the tubing and the supporting structure. Supports 1" and 1-1/4" CTS tube sizes. Supports Copper, PEX and CPVC tubing.

Product Information:

- Material:
 - Shell: Polypropylene, blue, FR UL94V-2
 - Isolators: TPE, natural (off-white), 45 shore A
- Temperature Range: -10°F to 140°F (suspension)
-10°F to 180°F (through-stud)
- Load rating: 50 pounds in suspension mode
- Patent Pending
- IAPMO listed



THIS INFORMATION IS PROPRIETARY TO HUBBARD ENTERPRISES AND IS SUBJECT TO CHANGE WITHOUT NOTICE. ANY REPRODUCTION IN PART OR WHOLE WITHOUT THE WRITTEN PERMISSION OF HUBBARD ENTERPRISES IS PROHIBITED.

.....HUBBARD ENTERPRISES.....
HOLDRITE®

"Converting Makeshift Plumbing Methods into Engineered Solutions"

Product Submittal	
Job Name:	
Date:	
Part Number:	Qty:
Architect / Owner:	
Contractor:	
Notes:	