

# Royal® Flushometer

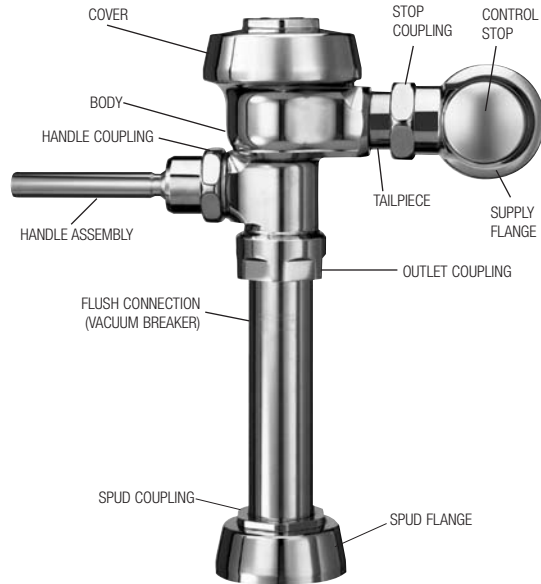
## DUAL FILTERED DIAPHRAGM ASSEMBLY

Available in diaphragm only and Royal® Performance™ Kits.

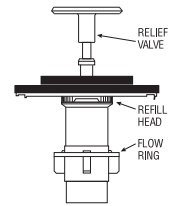
Royal® Performance™ Kit includes dual filtered diaphragm assembly (item 3), handle repair kit with triple seal packing (item 8), high back pressure vacuum breaker repair kit (item 11), and one tailpiece O-ring (item 15A). DIAPHRAGM ONLY KIT contains “drop-in” dual filtered diaphragm assembly (item 3) ONLY.

The dual filtered diaphragm can be used in Royal®, Regal®, and similar diaphragm-style valve bodies. For use in Sloan valve bodies with a bell-shaped cover (manufactured before 1964), replace the bottom filter ring in these kits with a blue A-108 filter ring (not shown Sloan Code No. **5301283**).

*NOTE: In January 1998, the Royal® diaphragm design was upgraded to a preassembled unit with two (2) plastic filtering rings attached to the rubber diaphragm (one on top and one on bottom). If the flushometer you are servicing has our older, segmented diaphragm with brass by-pass hole, refer to our Regal section for additional troubleshooting information.*



Manual  
Flushometers



The colors of the relief valve and the refill head plus the shape of flow ring identify the flush volume of a DUAL FILTERED DIAPHRAGM ASSEMBLY.

## ROYAL® PERFORMANCE KIT

| Code No.       | Part No. | Description                                       | Relief Valve† | Refill Head* | Flow Ring |
|----------------|----------|---|---------------|--------------|-----------|
| <b>3301070</b> | A-1101-A | Low Consumption Water Closets-1.6 gpf (6.0 Lpf)** | Green         | Gray         | Smooth    |
| <b>3301071</b> | A-1102-A | Water Saver Water Closets-3.5 gpf (13.2 Lpf)**    | White         | Gray         | Smooth    |
| <b>3301072</b> | A-1103-A | 9 Liter European Water Closets-2.4 gpf (9.0 Lpf)  | Blue          | Gray         | Smooth    |
| <b>3301073</b> | A-1106-A | Wash Down Urinals-0.5 gpf (1.9 Lpf)               | Green         | Black        | Smooth    |
| <b>3301074</b> | A-1107-A | Low Consumption Urinals-1.0 gpf (3.8 Lpf)**       | Green         | Black        | Slotted   |
| <b>3301075</b> | A-1108-A | Water Saver Urinals-1.5 gpf (5.7 Lpf)**           | Black         | Black        | Smooth    |

\*Closet refill heads (gray) have larger slots than urinal refill heads (black).

## DIAPHRAGM ONLY KIT

| Code No.       | Part No. | Description  | Relief Valve† | Refill Head* | Flow Ring |
|----------------|----------|--|---------------|--------------|-----------|
| <b>3301502</b> | A-1041-A | Low Consumption Water Closets-1.6 gpf (6.0 Lpf)**              | Green         | Gray         | Smooth    |
| <b>3301501</b> | A-1038-A | Water Saver Water Closets-3.5 gpf (13.2 Lpf)**                 | White         | Gray         | Smooth    |
| <b>3301505</b> | A-1044-A | 9 Liter European Water Closets-2.4 gpf (9.0 Lpf)               | Blue          | Gray         | Smooth    |
| <b>3301504</b> | A-1043-A | Wash Down Urinals-0.5 gpf (1.9 Lpf)                            | Green         | Black        | Smooth    |
| <b>3301503</b> | A-1042-A | Low Consumption Urinals-1.0 gpf (3.8 Lpf)**                    | Green         | Black        | Slotted   |
| <b>3301500</b> | A-1037-A | Water Saver Urinals-1.5 gpf (5.7 Lpf)**                        | Black         | Black        | Smooth    |
| <b>3301506</b> | A-1045-A | High-Efficiency Water Closets-1.28 gpf (4.8 Lpf)               | Blue          | Gray         | Smooth    |
| <b>3301142</b> | A-1047-A | High-Efficiency Urinals-0.25 gpf (1.0 Lpf) with White Inserts  | White         | HEU Black    | Smooth    |
| <b>3301143</b> | A-1050-A | High-Efficiency Urinals-0.125 gpf (0.5 Lpf) with Green Inserts | White         | HEU Black    | Smooth    |

† Consult factory for availability of replacement plastic relief valves (green, black, blue, and white) and brass relief valves.

NOTE: For older water closets that require 4.5 gpf (17.0 Lpf), choose kits A-1102-A or A-1038-A, but remove the flow ring before use. For blowout-style urinals that require 3.5 gpf (13.2 Lpf), choose kits A-1102-A or A-1038-A. For service sinks that require 6.5 gpf (24.6 Lpf), order A-36-A diaphragm repair kit (not shown Sloan Code No. **3301036**) and remove the flow ring before use. Regulations for low consumption fixtures prohibit the use of higher flush volumes.

\*Closet refill heads (gray) have larger slots than urinal refill Heads (black).

\*\* Water Saver (3.5 gpf closet and 1.5 gpf urinal) and Low Consumption (1.6 gpf closet and 1.0 gpf urinal) fixtures must use matching gpf (Lpf) diaphragm kits; using a smaller gpf (Lpf) kit in fixtures not intended for less volume will result in inadequate dilution in urinals and improper evacuation in closets.