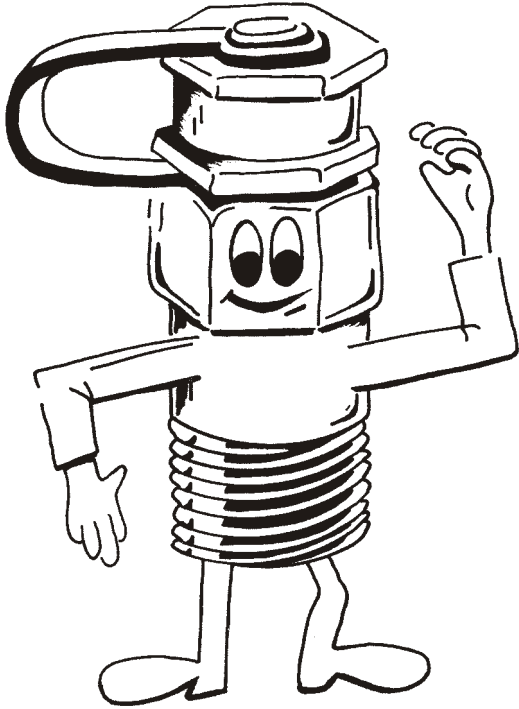


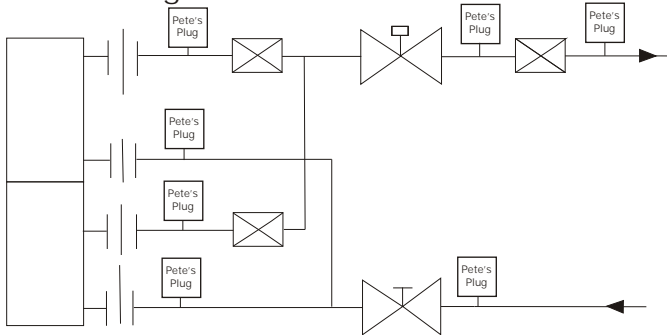
# Pete's Plug II<sup>®</sup>



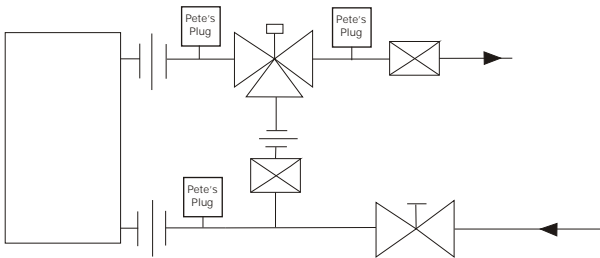
Recommended "Pete's Plug" installation points for fast pressure & temperature readings in modern hydronic systems.

*It costs less to install a Pete's Plug now than later!*

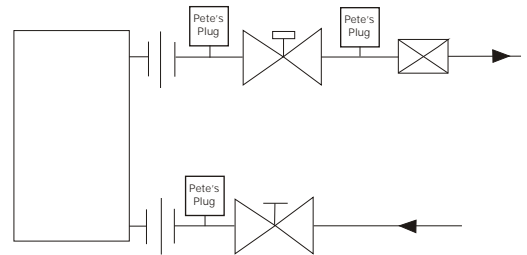
Two way valve control multiple heating or cooling coil bank



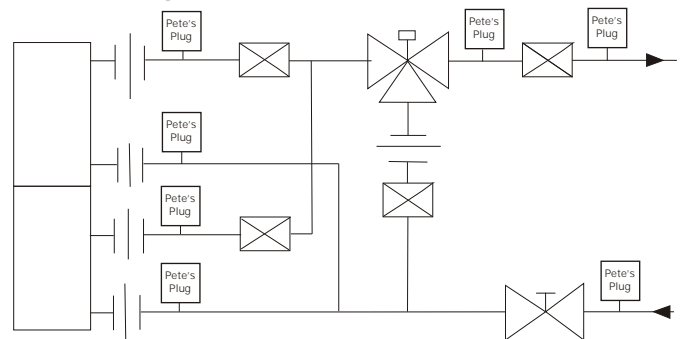
Three-way valve control reheat, booster heating or cooling



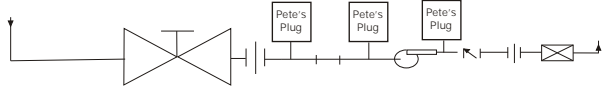
Two way valve control reheat, booster heating or cooling



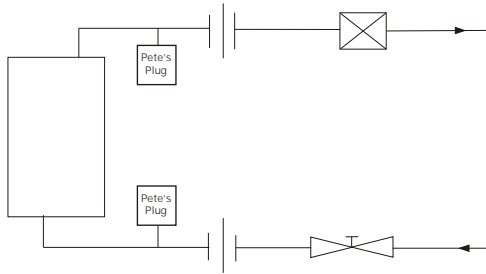
Three-way valve control multiple heating or cooling coil bank



### In Line Pump



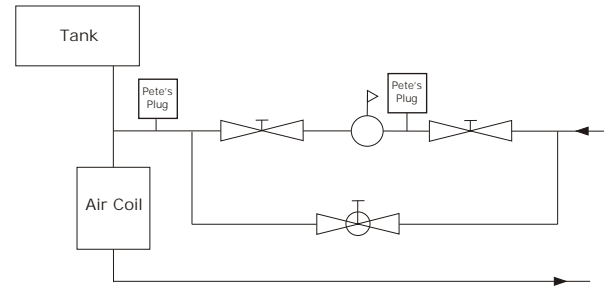
### Single chiller, convertor, or condenser



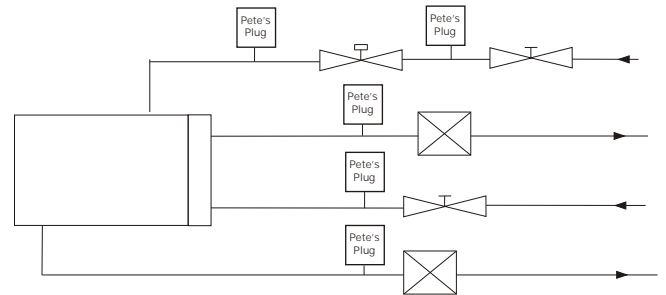
### Nomenclature

	Pete's Plug Pressure and Temperature Test Point
	Union
	Isolation Valve
	Two Way Control Valve
	Three Way Control Valve
	Balance Valve
	Check Valve
	Throttling Valve
	Pressure Reducing Valve

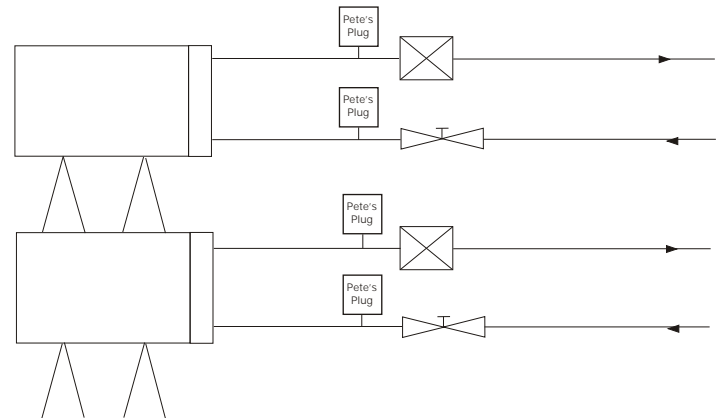
### Water make up



### Water to Water Heat Exchanger



### Centrifugal or Reciprocating Water Chiller



### Solar Space and Water Heating System

