



### Mueller Streamline Co. Headquarters

150 Schilling Blvd  
Suite 201  
Collierville, Tennessee 38017  
United States  
Phone: 901 753 3200

### Mueller Streamline Co. International

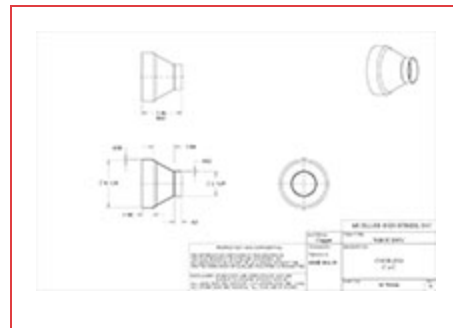
525 Okeechobee Blvd  
Suite 860  
West Palm Beach, FL 33401  
United States  
Phone: 561 273 8300

## ITEM # W 70106, COUPLING REDUCING, C X C, 4" X 2"

Streamline® Copper Solder-Joint Fittings for DWV plumbing applications are available in both wrought copper and cast bronze materials. Designed for use in non-pressurized sanitary systems, these fittings commonly feature shorter solder cup designs and more sweeping turns. They are available in a wide range of diameters styles and connections to meet most all sanitary system applications.

- For use in non-pressurized drain, waste and vent sanitary systems
- Constructed of high-grade copper or bronze

[+ more](#)



[Specifications](#) | [Dimensions](#) | [Details](#)

### Specifications

<b>Weight</b>	1.38 lb
<b>Material</b>	WROT COPPER

**Operating Temperature** [CDA-Copper-Fitting-Pressue-Temp-Ratings](#)

**Operating Pressure** [CDA-Copper-Fitting-Pressue-Temp-Ratings](#)

**End Type** C - Cup (Female Solder)

**End Size** 4 in

**Second End Type** C - Cup (Female Solder)

**Second End Size** 2 in

**Standards** ASME B16.23  
ASME B16.29

## Dimensions

**Overall Length** 3.46 in

**Overall Height** 4.25 in

**Overall Width** 4.25 in

## Details

**Style** DW-741

**Qty Pcs / Bag** 1

**Master Qty Pcs / Box** 25

**Mueller Description 1** 4 C X 2 C DWV COUPLING

**Mueller Description 2** 4-1/8 X 2-1/8OD DWV COUP