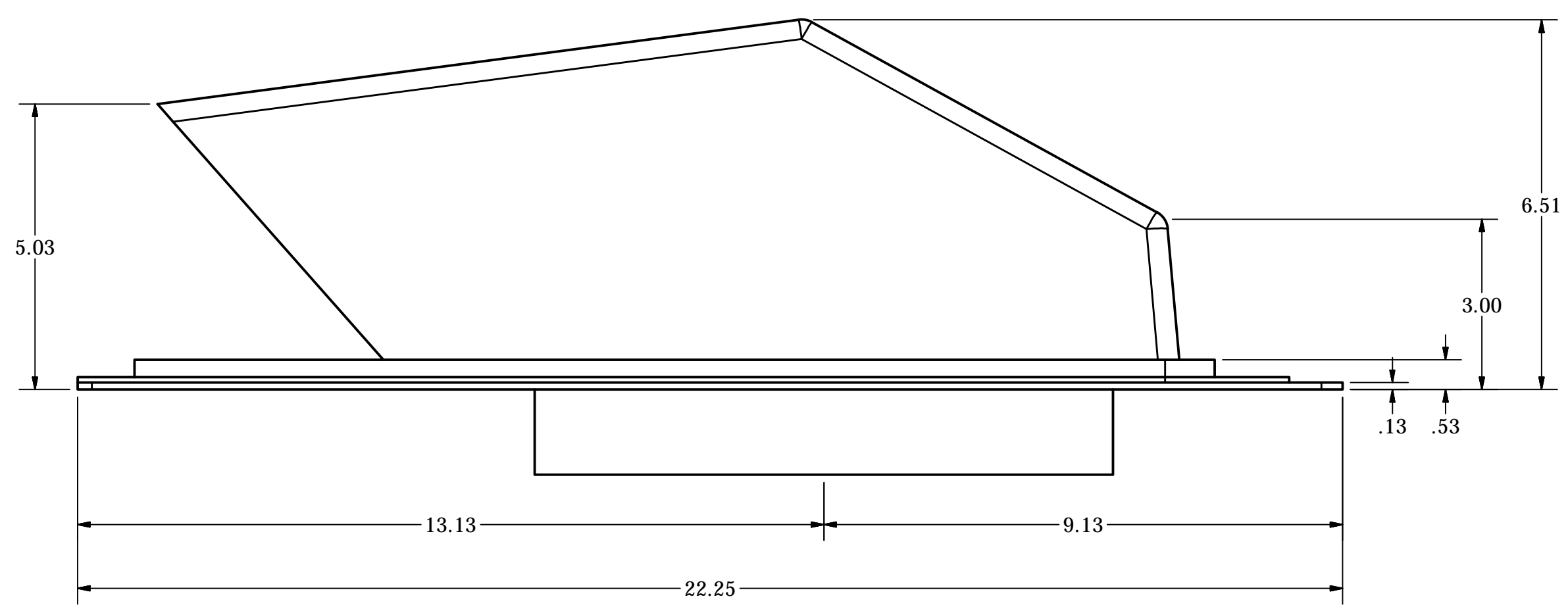
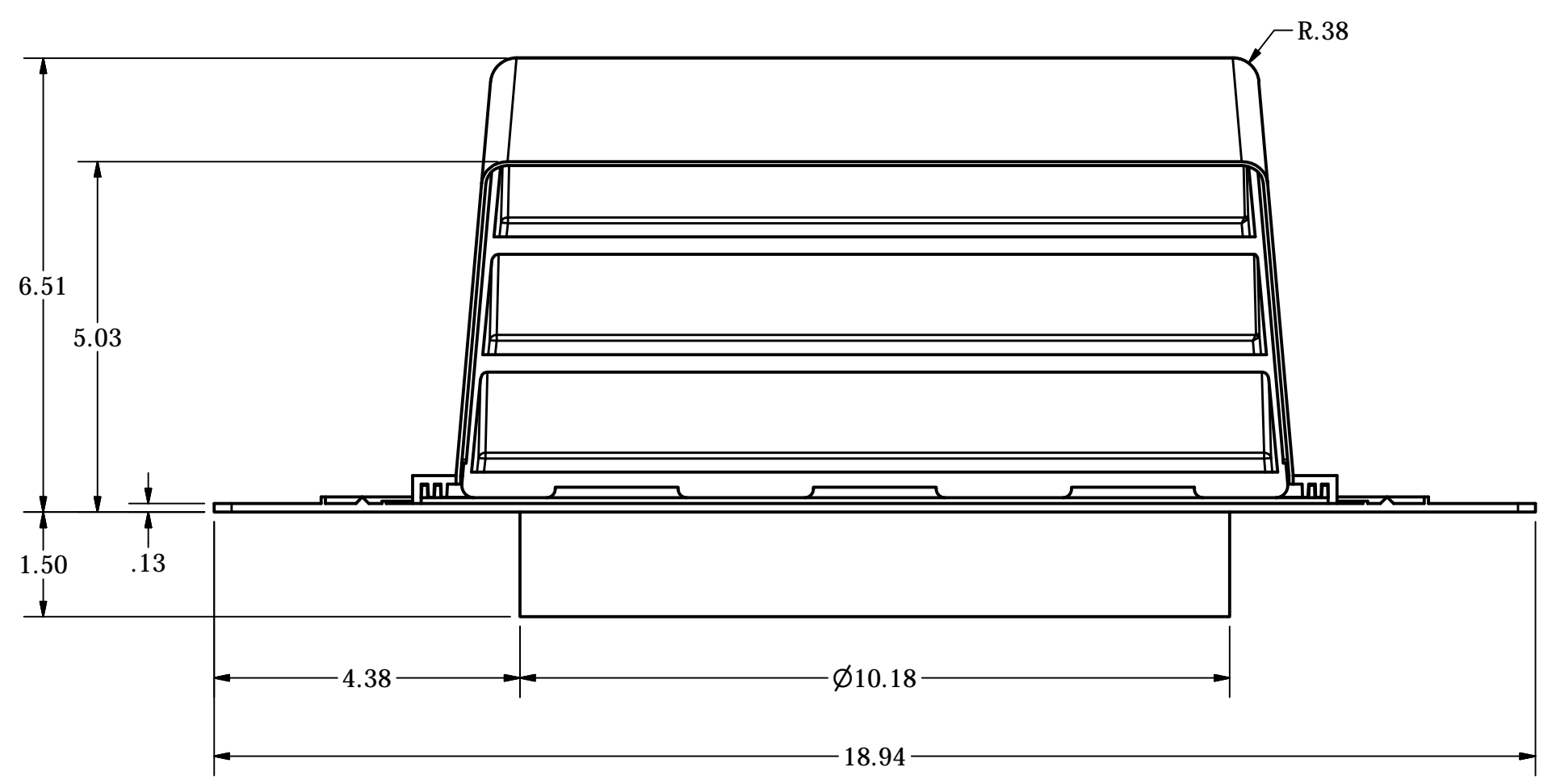
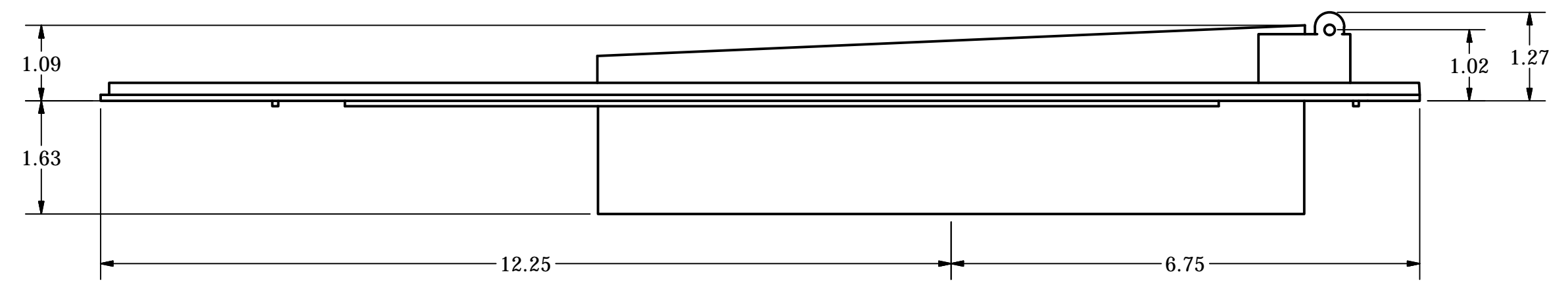
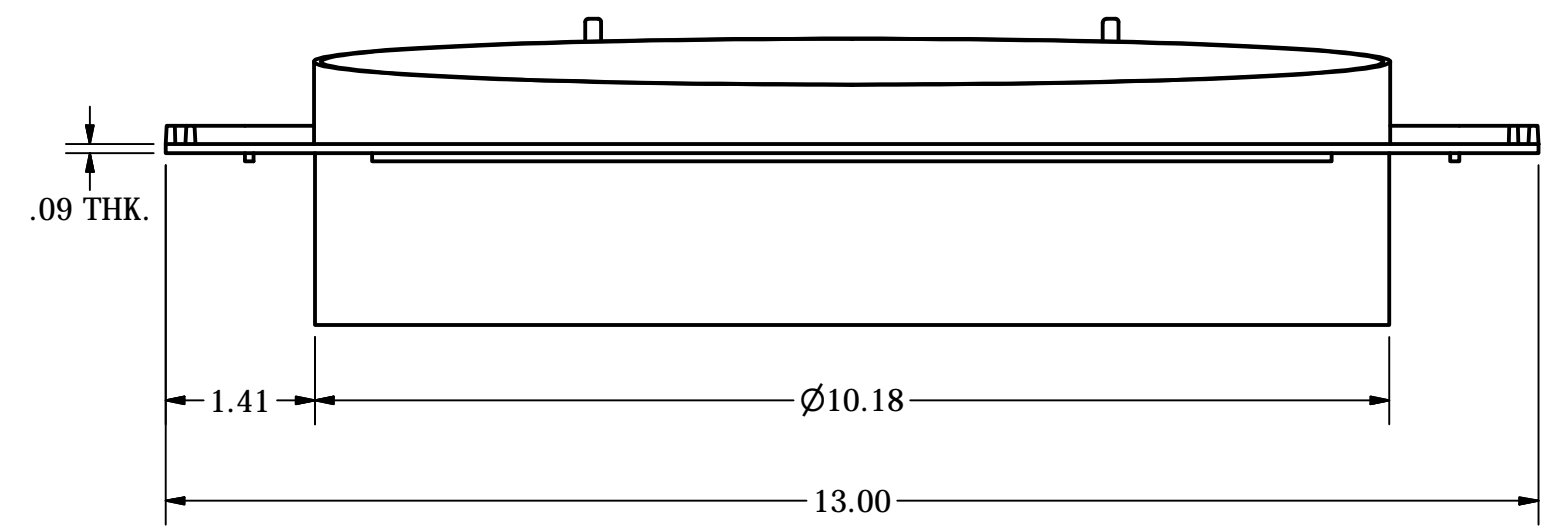
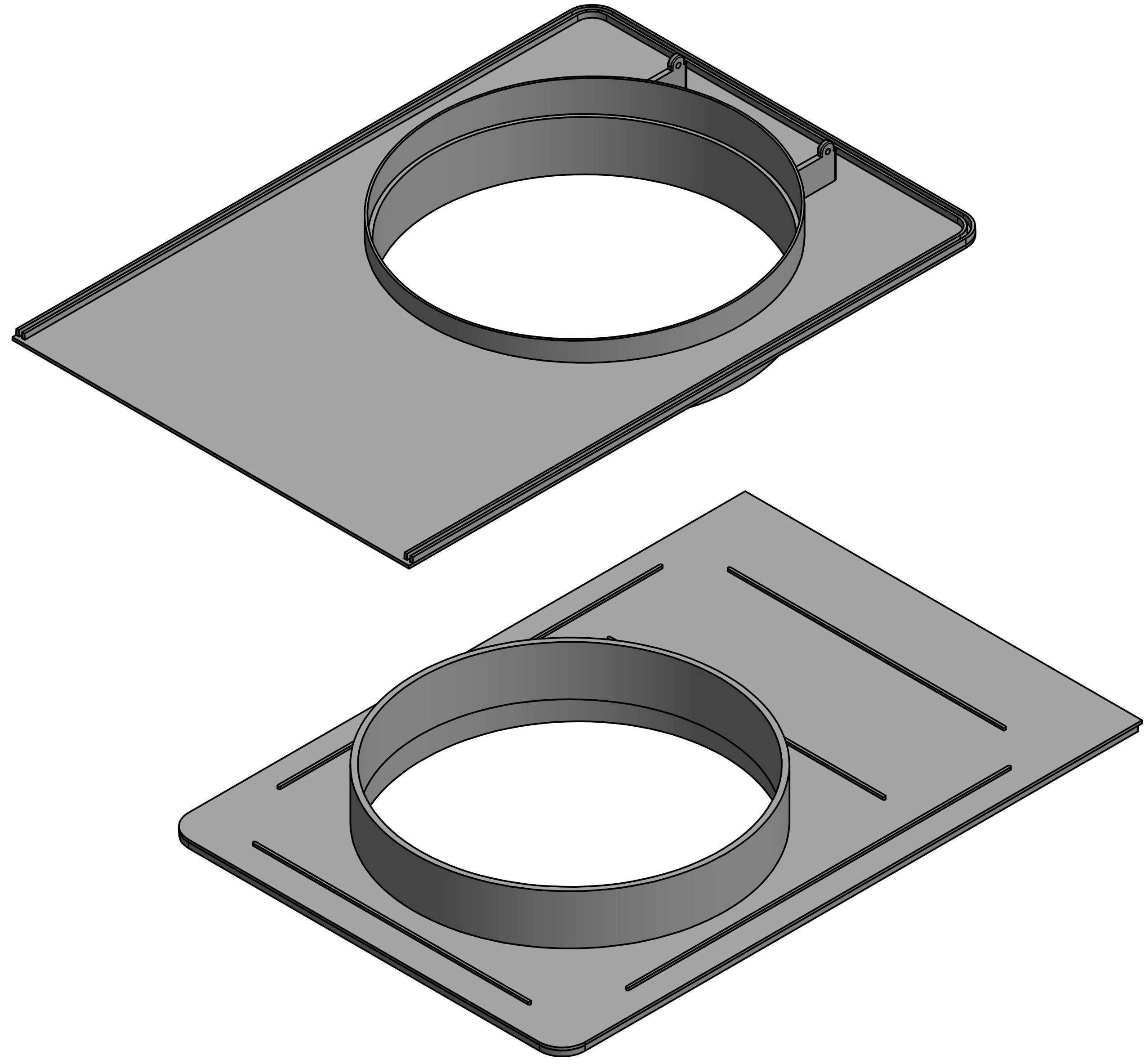
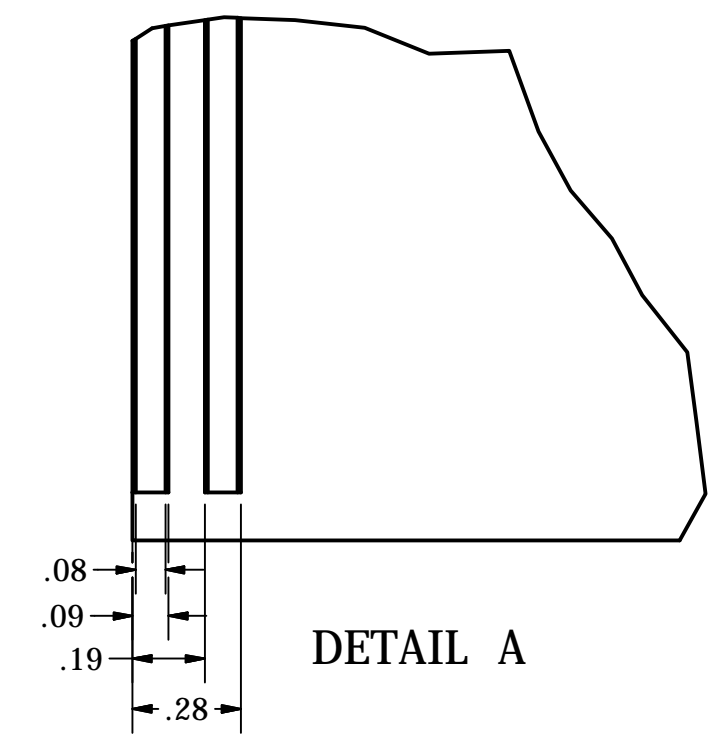
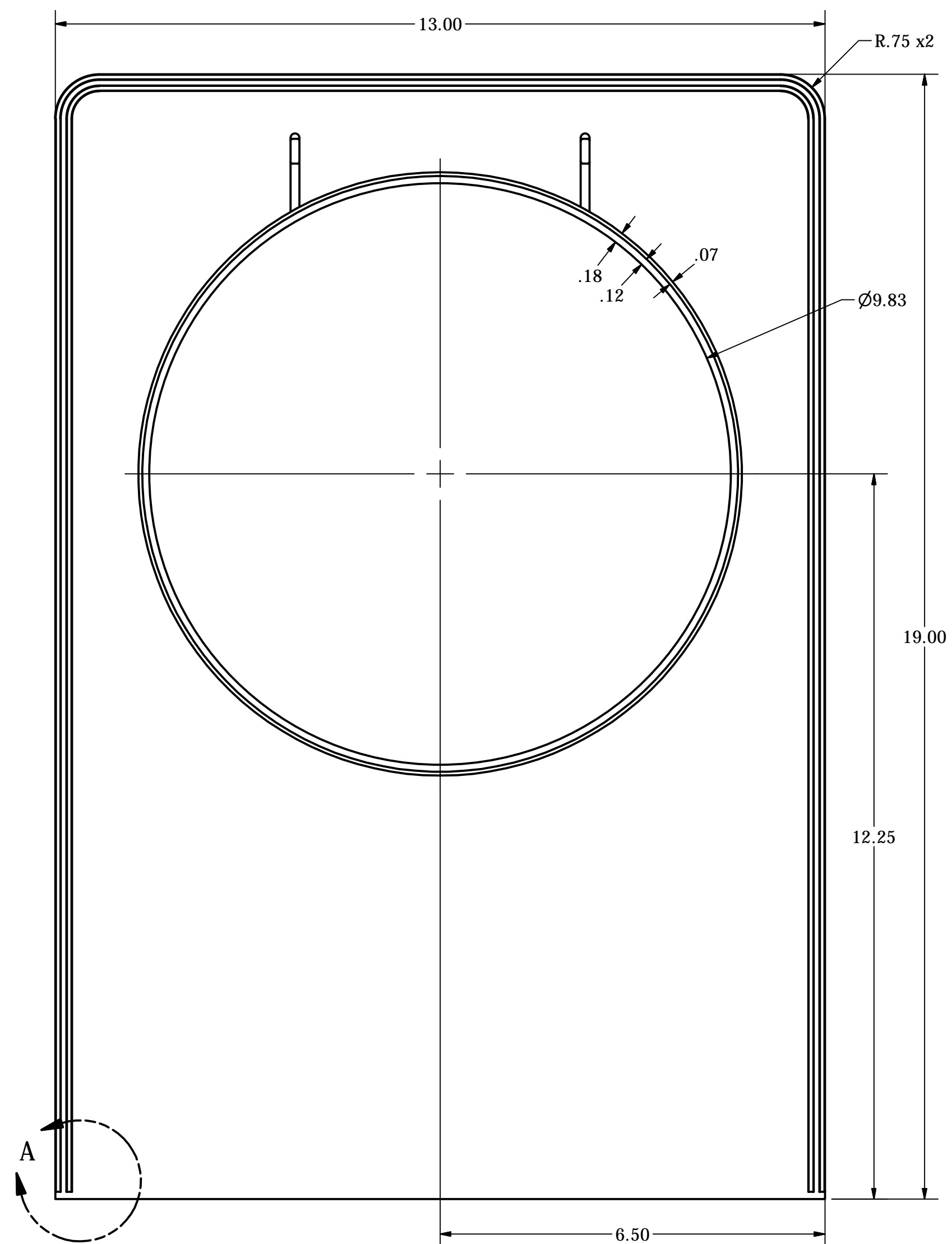


SECTION A-A



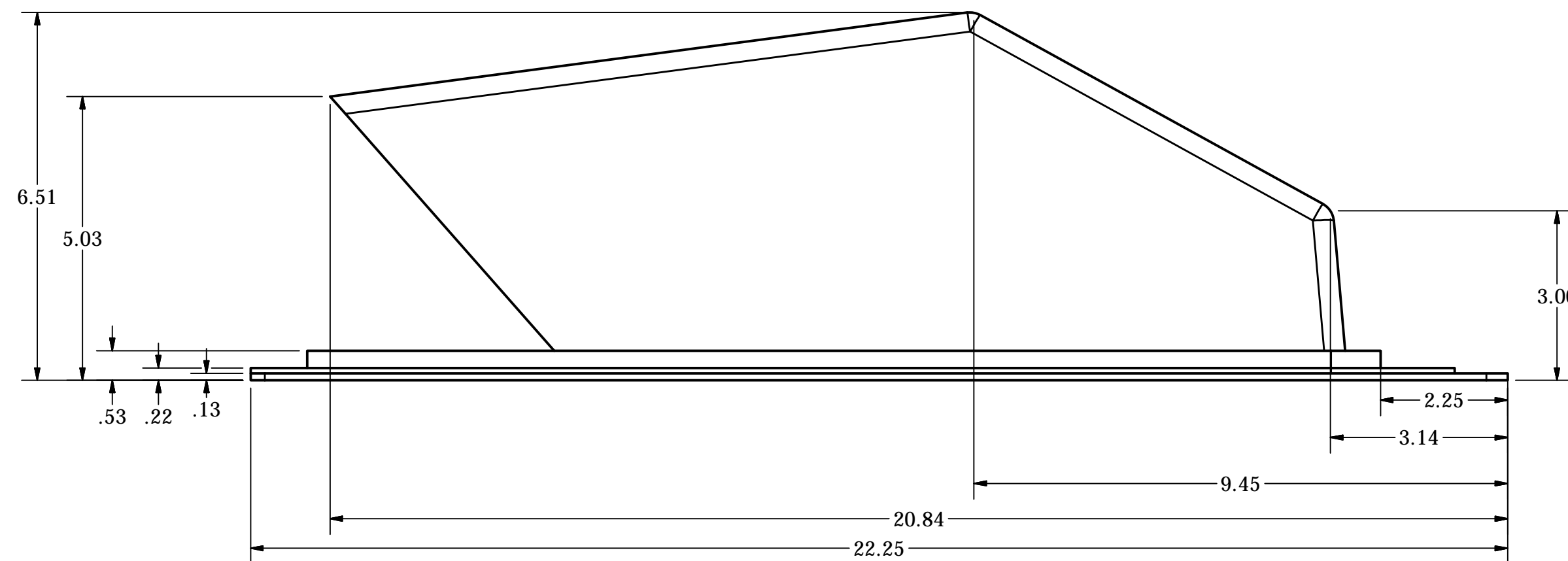
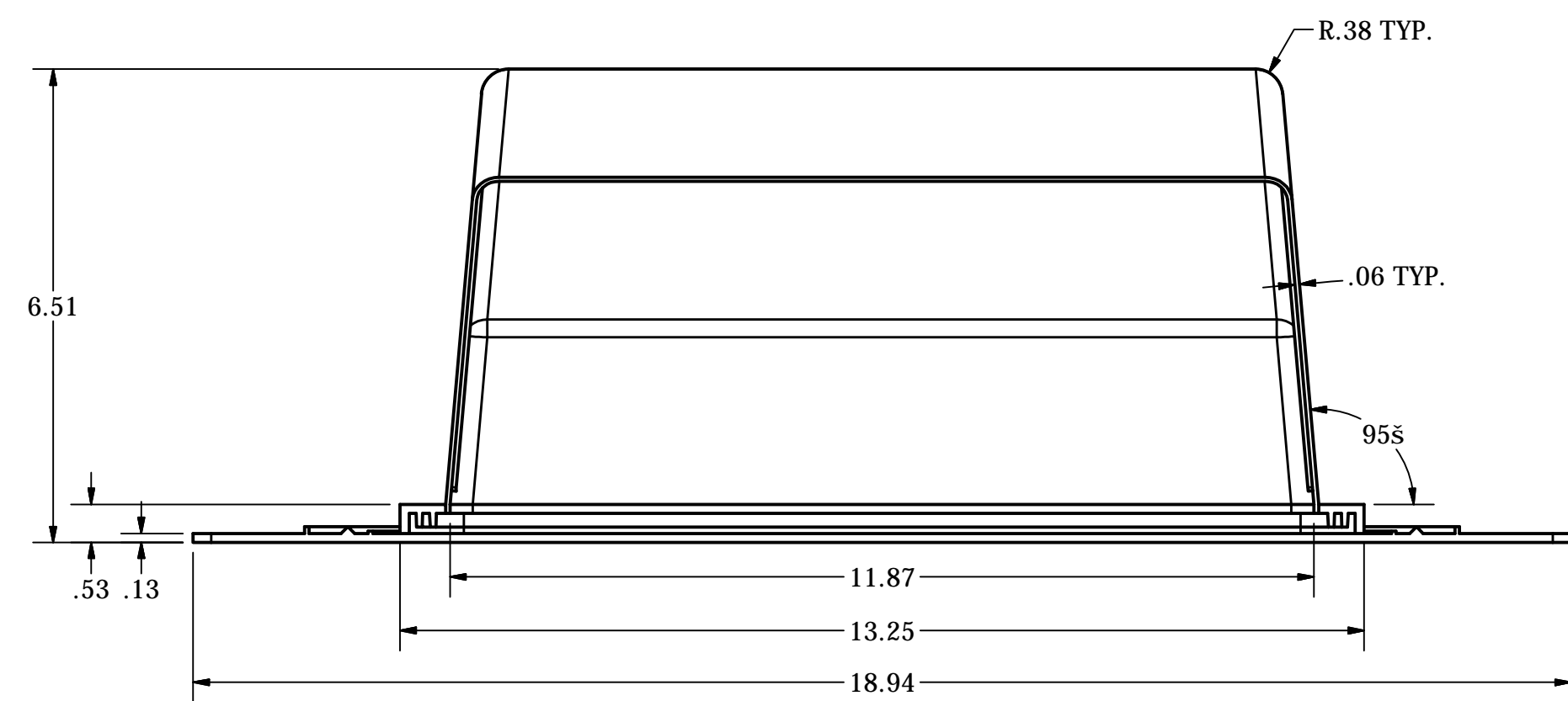
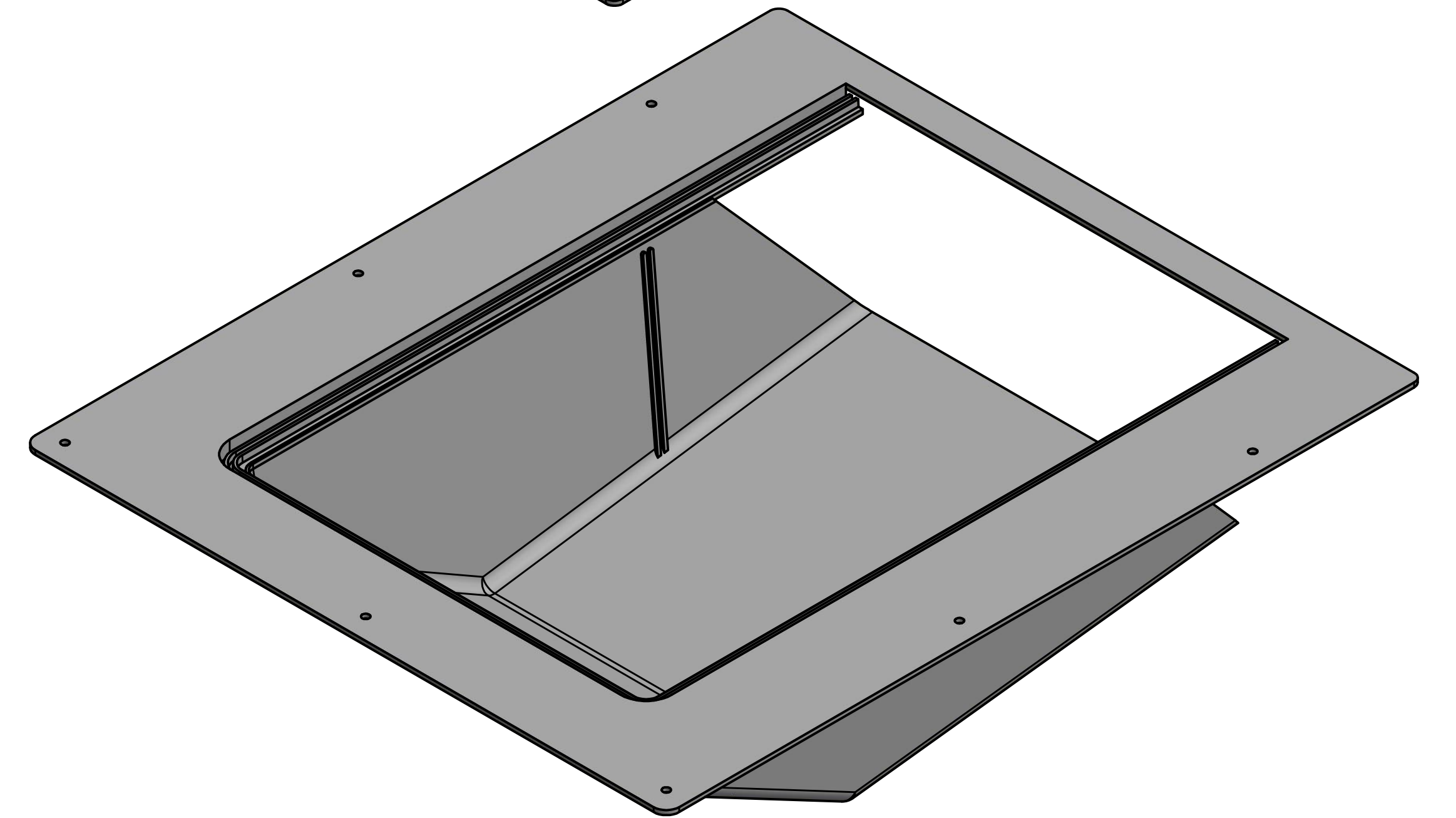
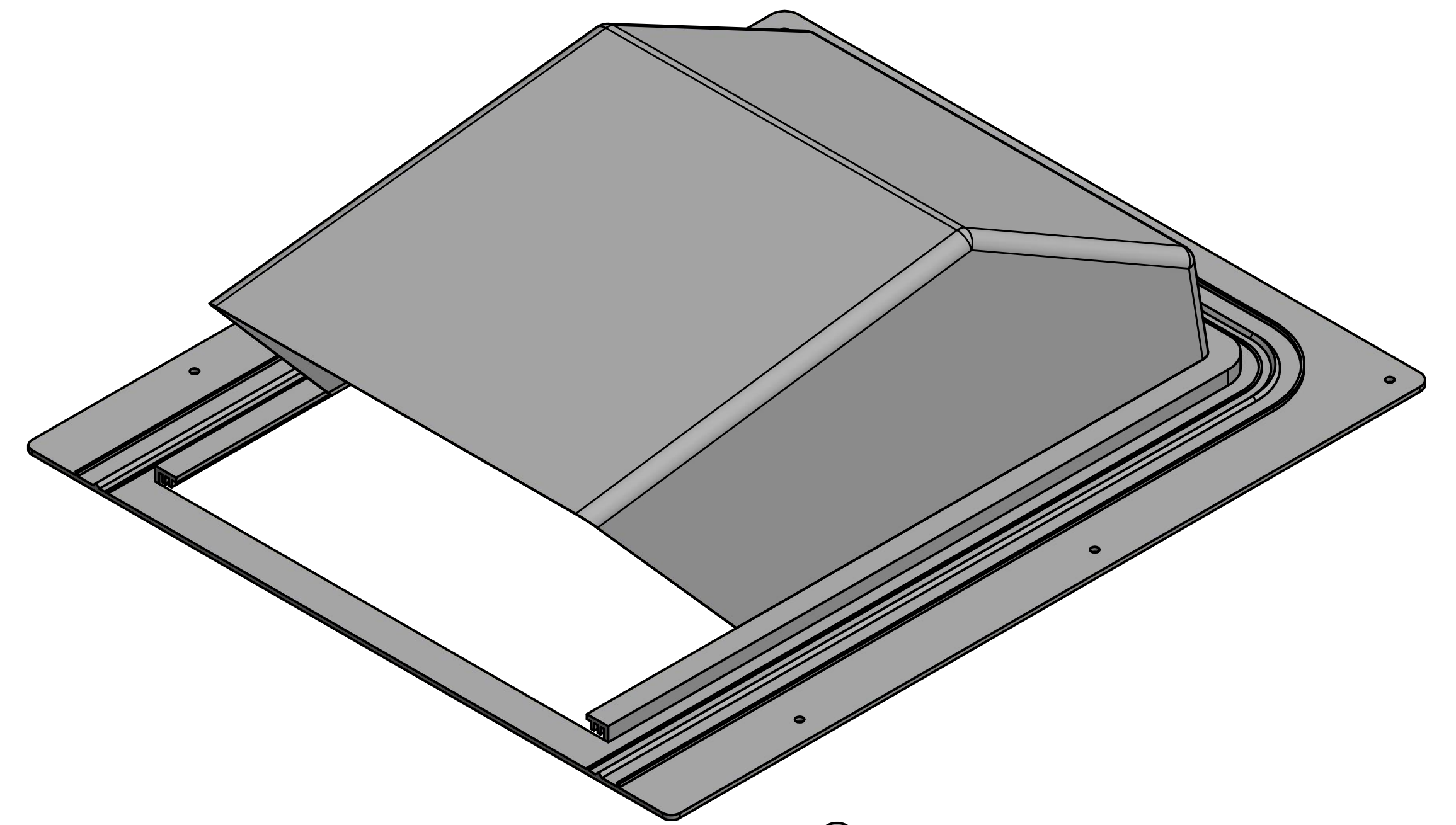
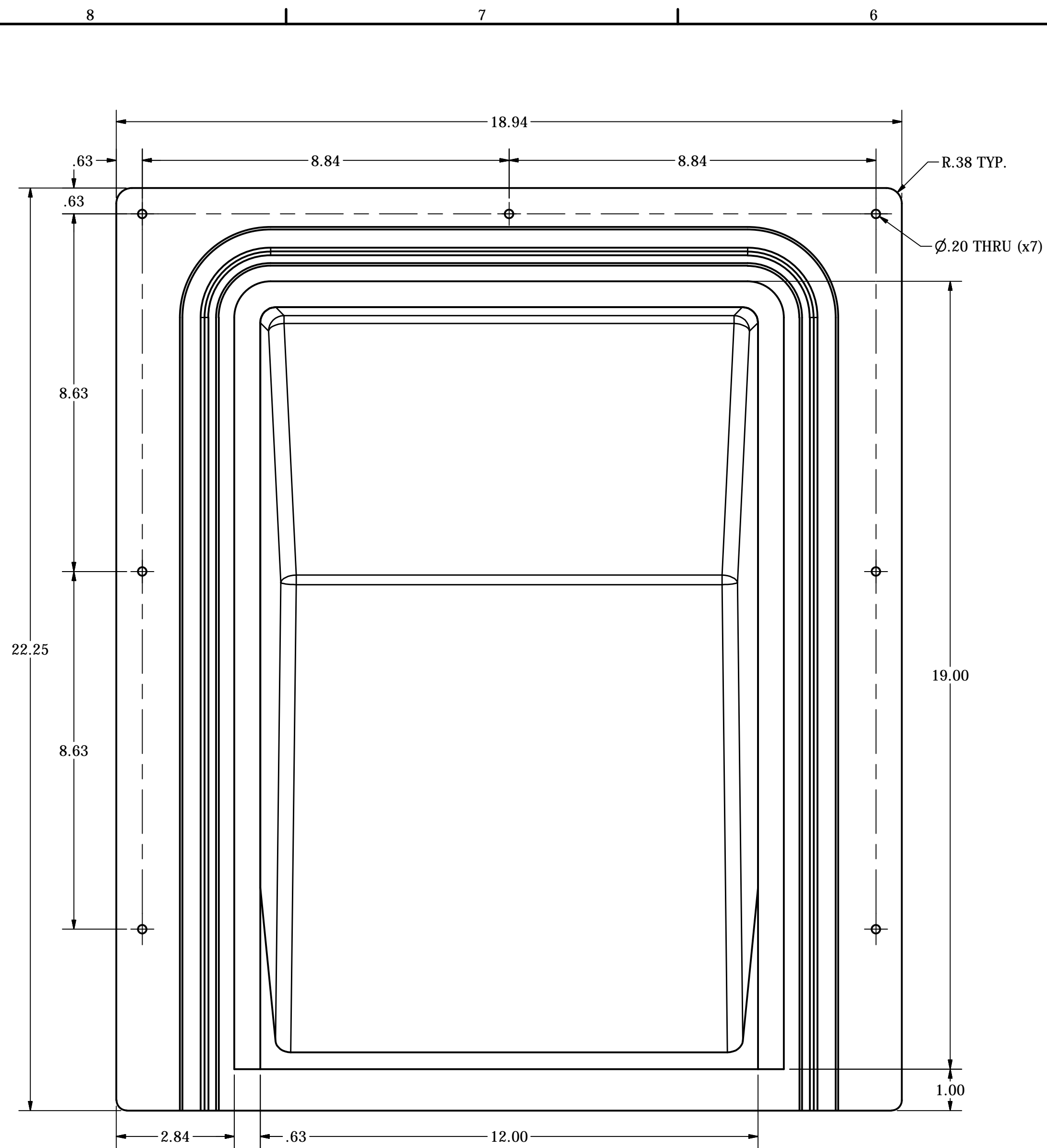
DRAWN	JOSEPH VALENTI	12/17/2014	LAMBRO INDUSTRIES, INC.		
CHECKED			TITLE		
QA			359 ROOF VENT ASSEMBLY		
MFG			SIZE	DWG NO	REV
APPROVED			D	359	
			SCALE		SHEET 1 OF 1

8 7 6 5 4 3 2 1

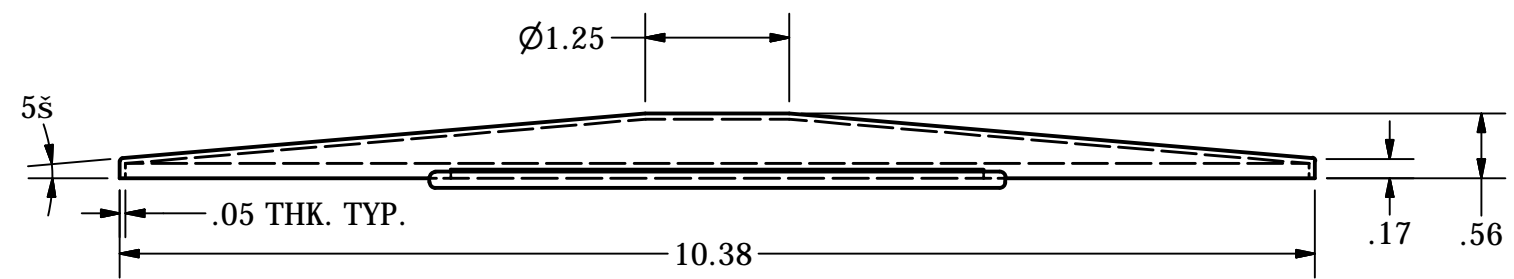
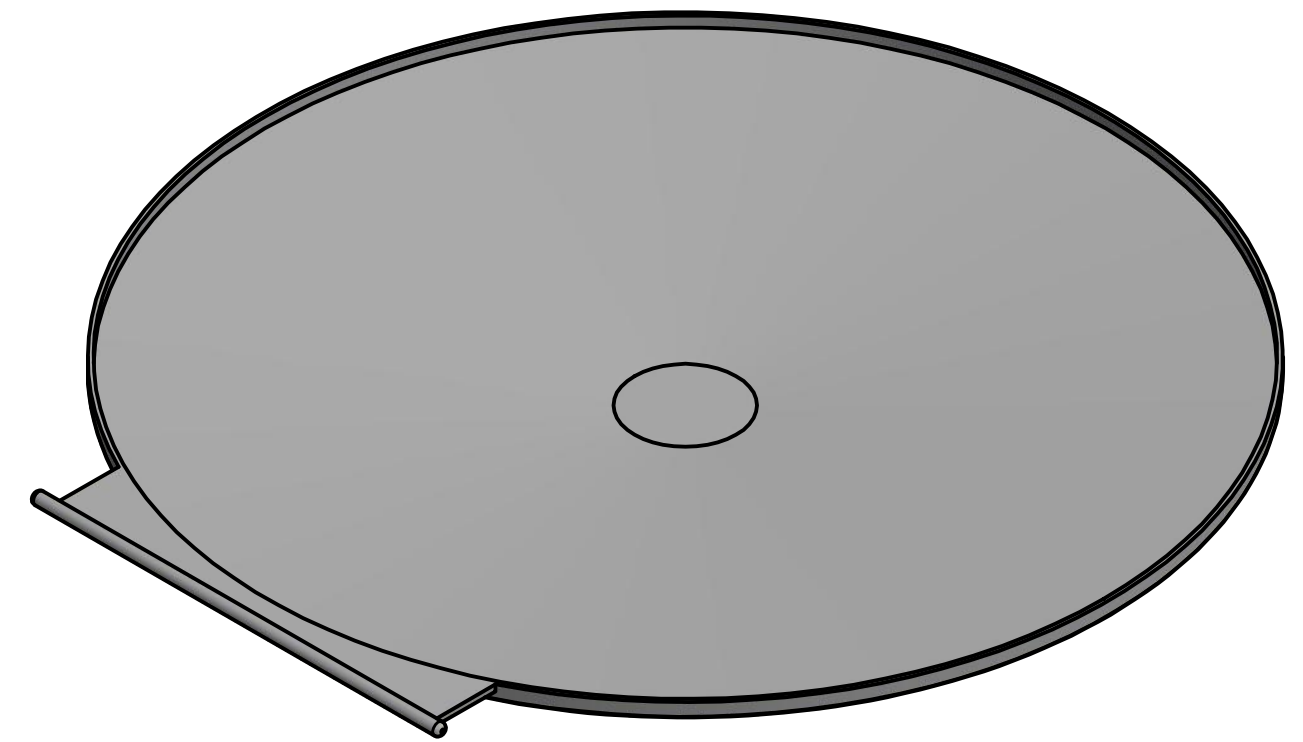
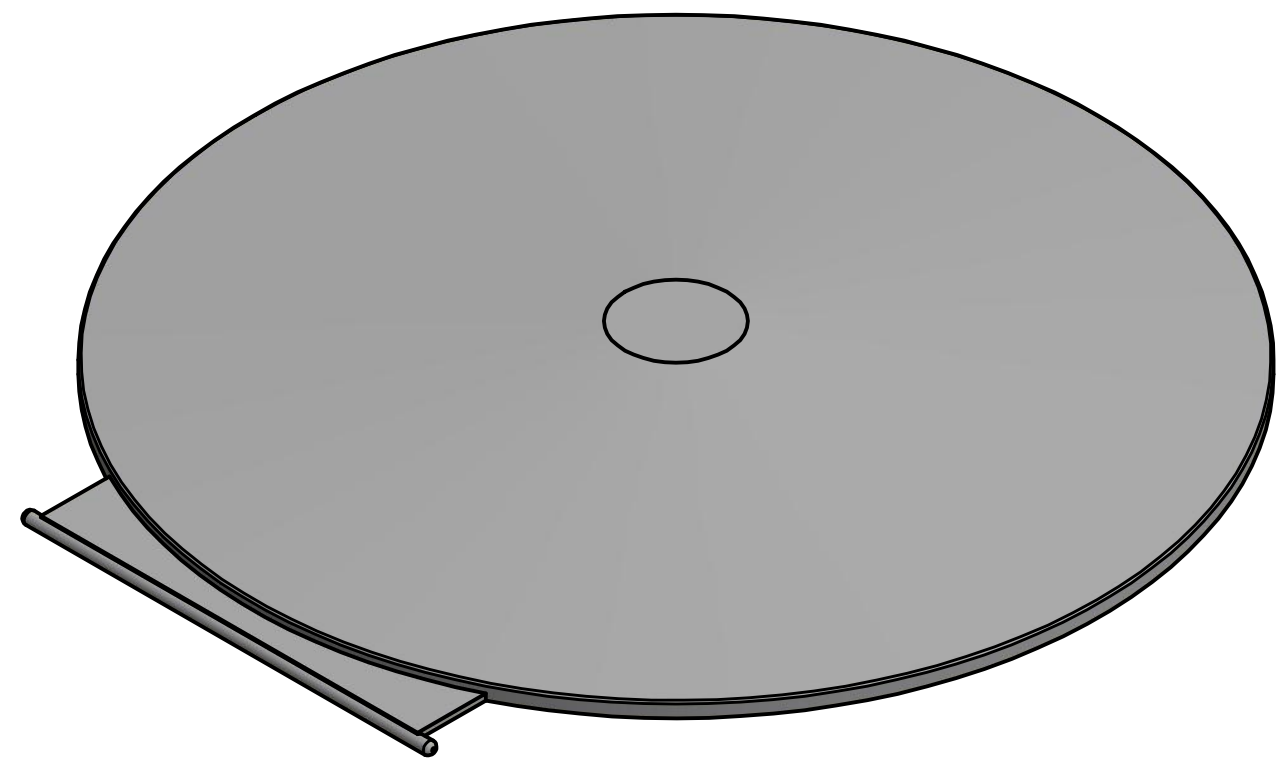
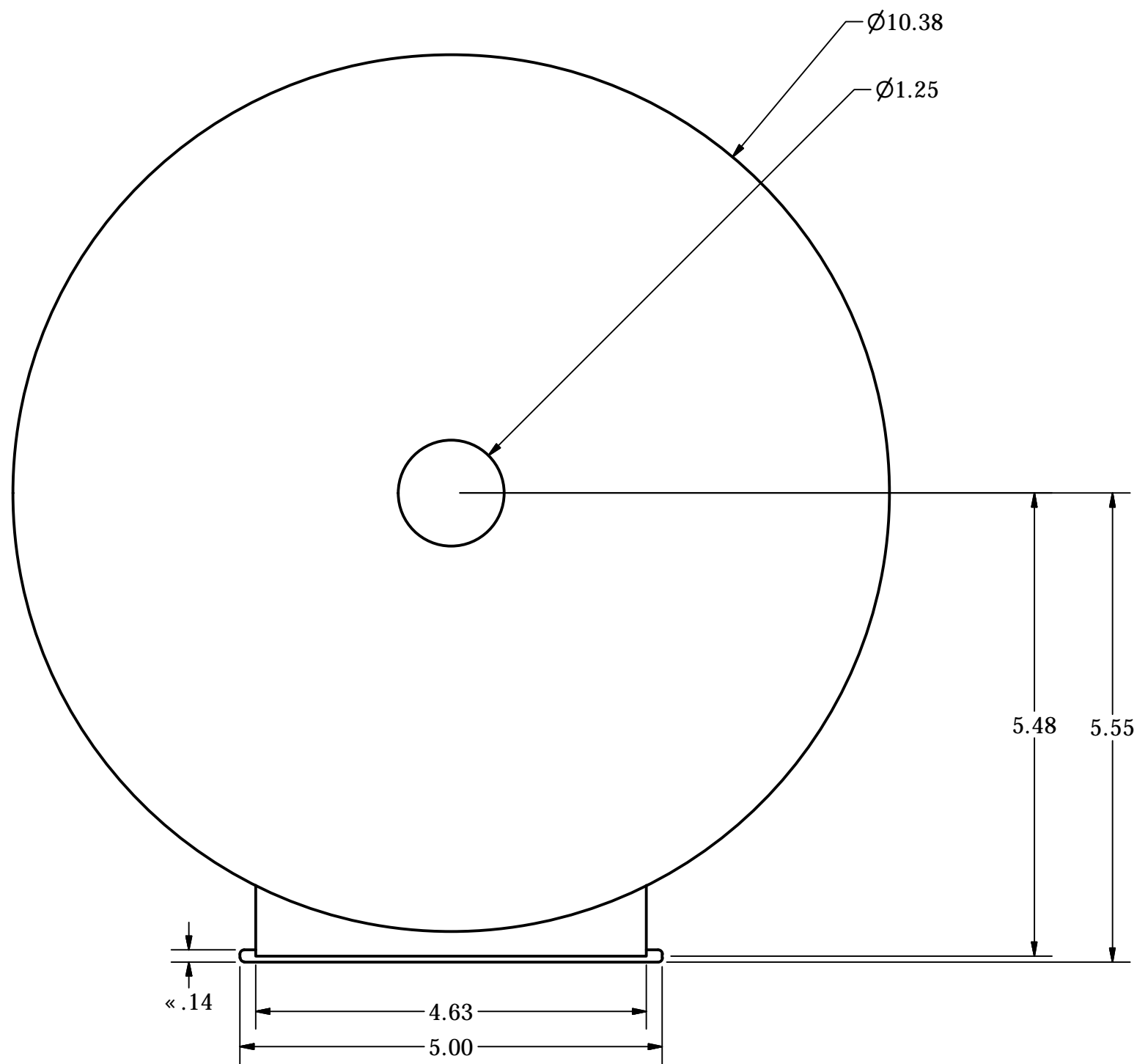


DRAWN	JOSEPH VALENTI	12/17/2014	LAMBRO INDUSTRIES, INC.		
CHECKED			TITLE		
QA			359 - BASE		
MFG			SIZE	DWG NO	REV
APPROVED			D	359	
			SCALE		SHEET 1 OF 1

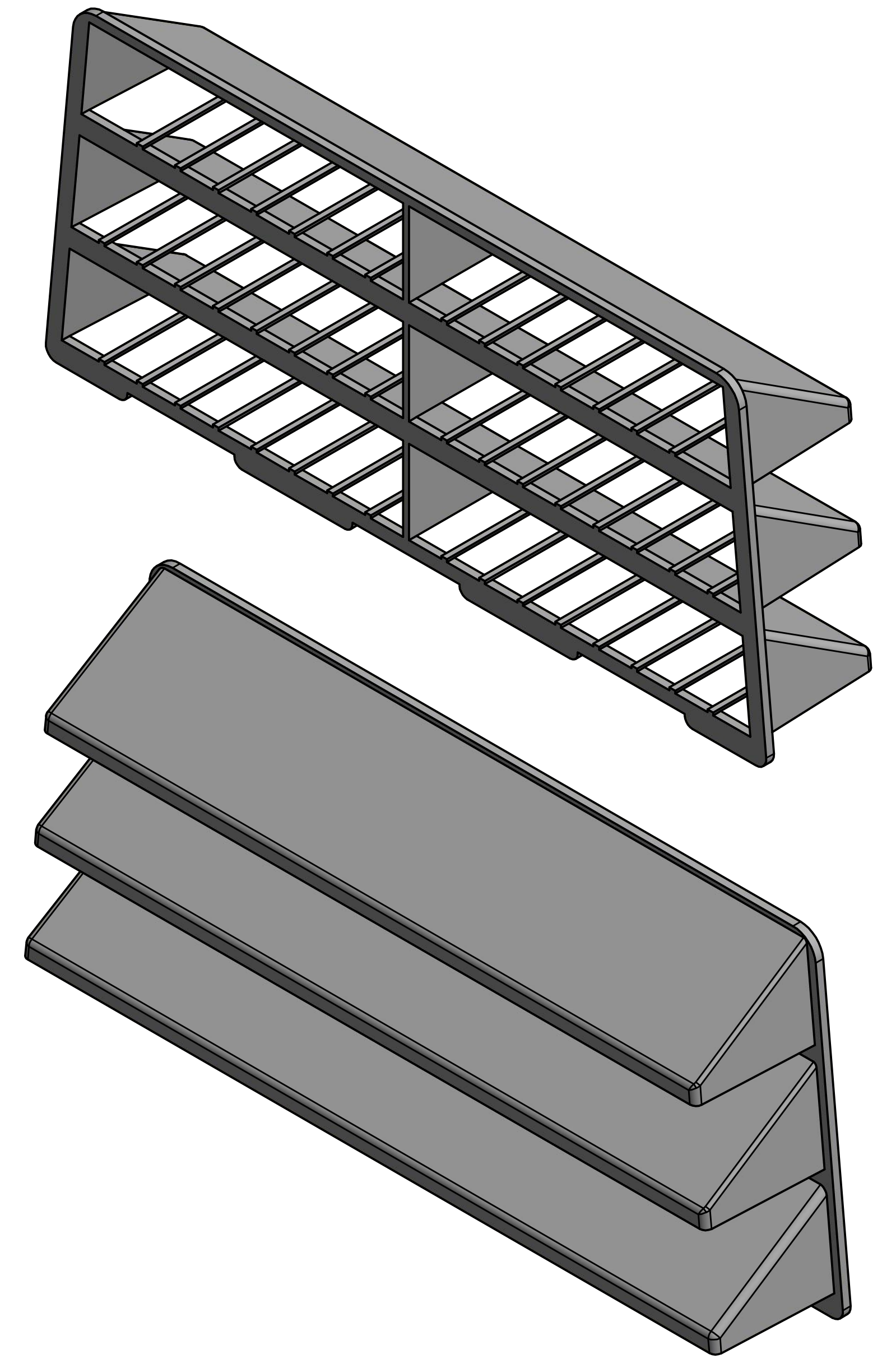
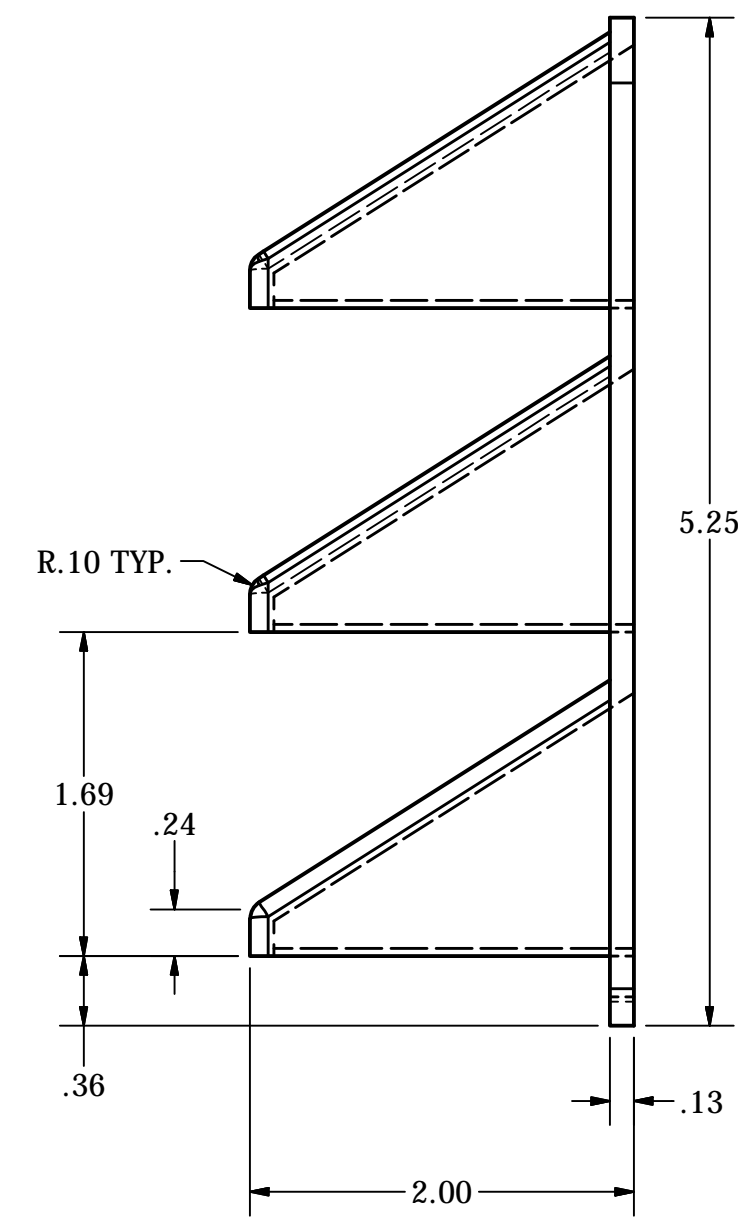
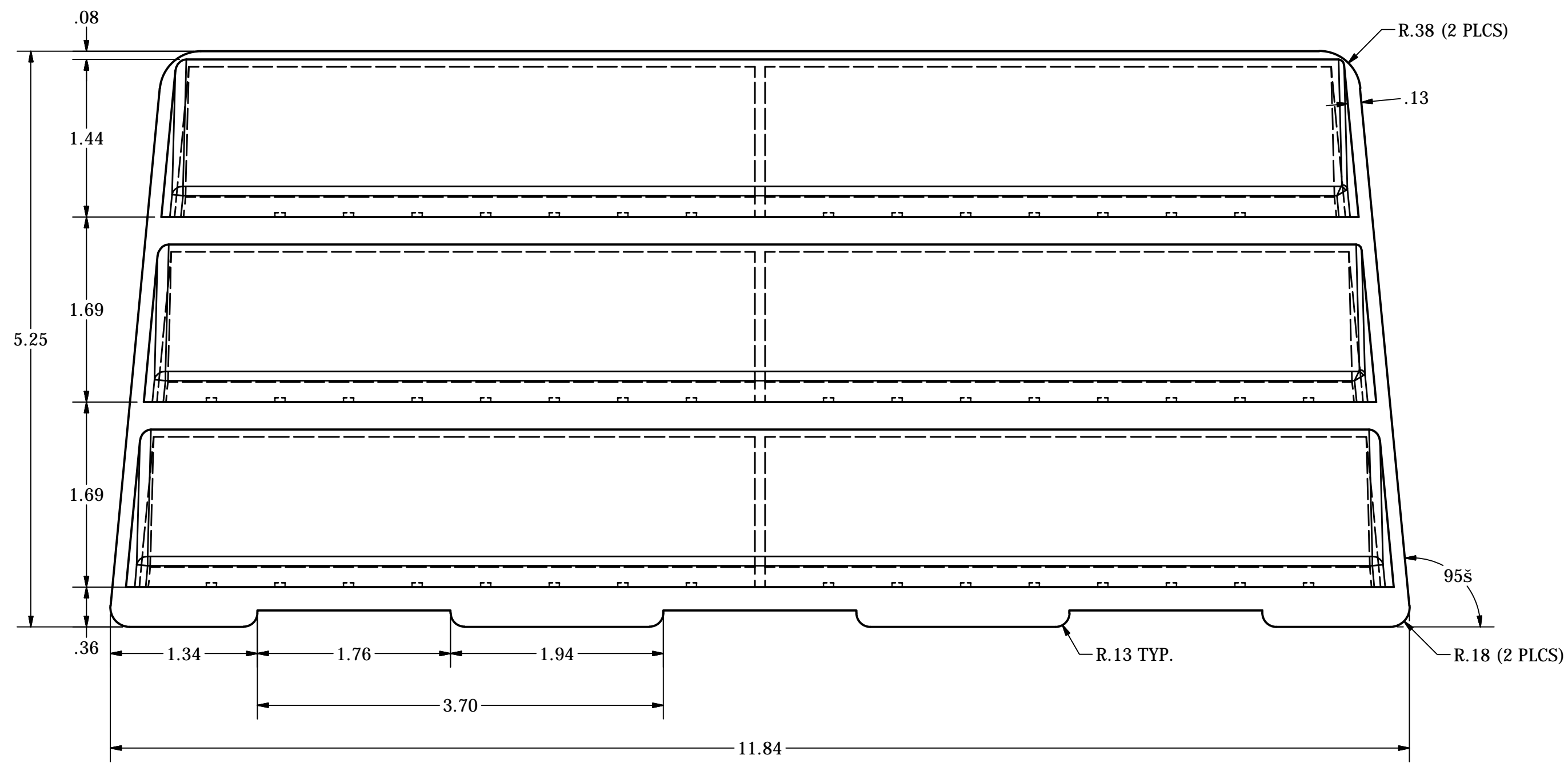
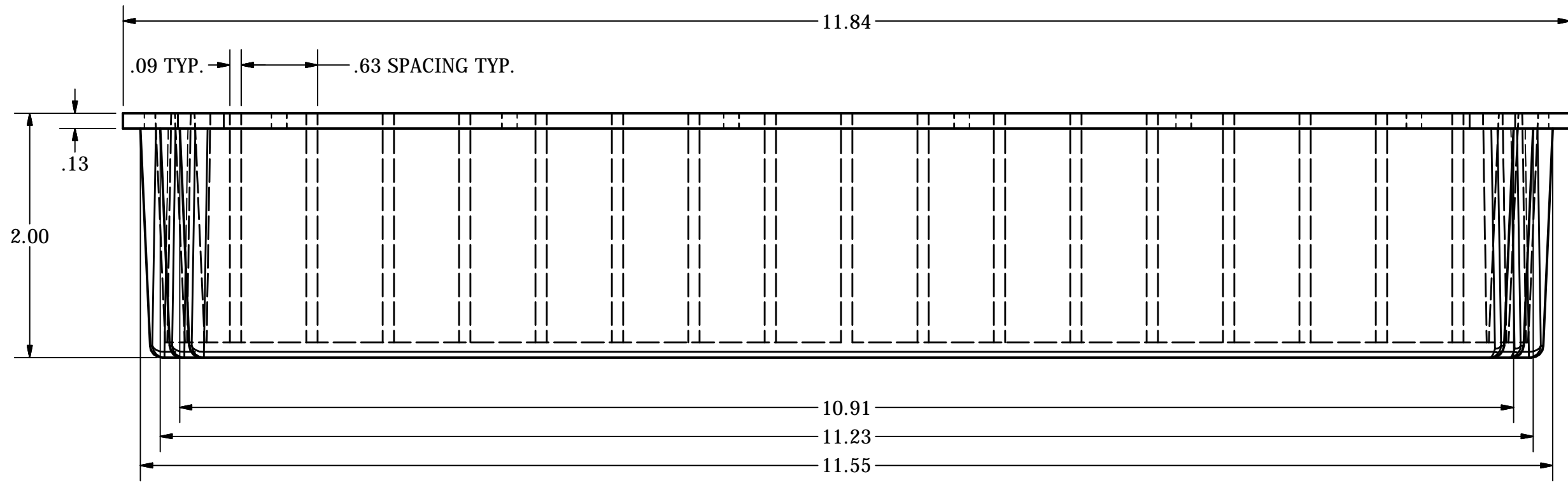
8 7 6 5 4 3 2 1



DRAWN	JOSEPH VALENTI	12/14/2014	LAMBRO INDUSTRIES, INC.		
CHECKED			TITLE		
QA			359 - COVER		
MFG			SIZE	DWG NO	REV
APPROVED			D	359	
			SCALE	SHEET 1 OF 1	



DRAWN JOSEPH VALENTI		12/17/2014		LAMBRO INDUSTRIES, INC.	
CHECKED				TITLE	
QA				359 - EXHAUST FLAP	
MFG					
APPROVED					
		SIZE	DWG NO	REV	
		C	359		
		SCALE	SHEET 1 OF 1		



DRAWN	JOSEPH VALENTI	12/10/2014	LAMBRO INDUSTRIES, INC.		
CHECKED			TITLE		
QA			359 - GRILLE		
MFG			SIZE	DWG NO	REV
APPROVED			D	359	
			SCALE	SHEET 1 OF 1	