

101NS & 202NS SERVICE SADDLE

SUBMITTAL INFORMATION



101NS

202NS

MATERIALS

CASTING

The saddle body is cast from ductile (nodular) iron, meeting or exceeding ASTM A 536, Grade 65-45-12.

GASKET

Gasket is made from Nitrile Butadiene Rubber (NBR) compounded for water and sewer service and a tolerance of petroleum products in accordance with ASTM D 2000 MBC 610 and NSF 61 Certified. Other compounds available for special applications.

STRAPS

Type 304 (18-8) heavy gauge Stainless Steel per ASTM A 240. Straps are two inches wide to spread out clamping forces on the pipe. GMAW and GTAW welds. Passivated for corrosion resistance.

BOLTS, NUTS

For sizes 1-1/2" through 3", 1/2" UNC roll thread Type 304 (18-8) Stainless Steel bolts with heavy hex nuts. 4" and above use 5/8" UNC roll thread Type 304 (18-8) Stainless Steel bolts with heavy hex nuts. Rod for bolts are per ASTM A 240 and nuts are per ASTM A 194. All welds fully passivated for enhanced corrosion resistance. Nuts coated to prevent galling.

WASHERS

Flat, type 304 (18-8) heavy gauge Stainless Steel.

COATING

Casting is coated with fusion bonded black nylon, 10-12 mils thick, with a dielectric strength of 1,000 v/mil and NSF 61 Certified.

PRESSURE

Ductile iron, cast iron and steel pipe: rating of pipe up to 350 psi maximum, on pipe sizes up through 24 inch, larger than 24 inch up to 30 inch pressure rating is 150 psi. PVC, asbestos cement and other pipe: up to the maximum rating of the pipe. For other applications please consult your representative.

STANDARD

Contact Romac Engineering for ANSI/AWWA C800 Spec and Approval Chart.

SIZES & RANGES

See Catalog.

11/29/2018

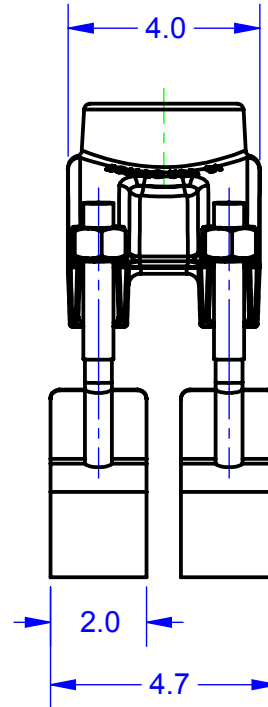
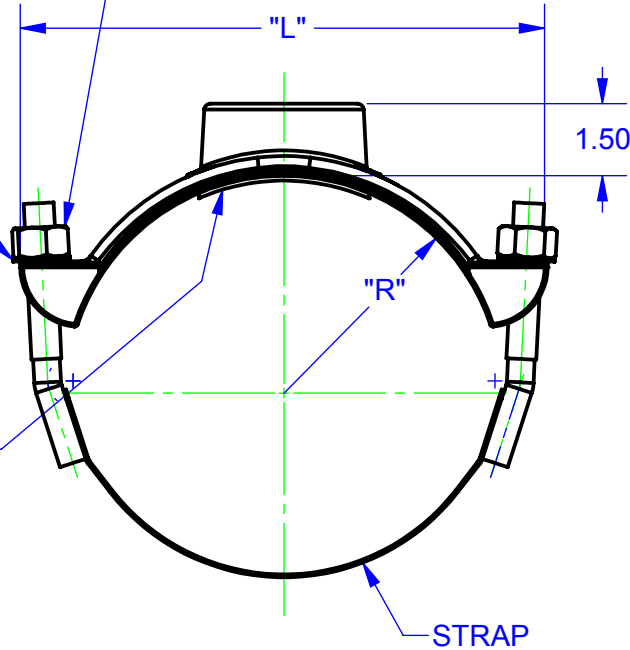
Document # 25-8-0003

This information is based on the best data available at the date printed above. Please check with Romac for any updates or changes.

5/8-11UNC WITH HEAVY HEX NUTS COATED TO PREVENT GALLING

TYPE 304 SS WASHER

GASKET, NBR RUBBER



R1

NOTE:

1. BODY: DUCTILE IRON PER ASTM A536 GR. 65-45-12
2. THREAD: "IP" (NPT) OR "CC" (PER AWWA C800) AVAILABLE
3. GASKET: NITRILE BUTADIENE RUBBER (NBR) PER ASTM D2000 MBC 610
4. COATING:
 - 202S: SHOP COAT ENAMEL
 - 202NS: NYLON COATING 10-12 MILS THICK.
5. STRAP: TYPE 304 STAINLESS STEEL, 5/8"-UNC THREAD WITH HEAVY HEX NUT AND FLAT WASHER. GMAW WELDED, CHEMICALLY CLEANED AND PASSIVATED.

REVISIONS

REV.	DESCRIPTION	DATE	EDITOR
R0	INITIAL RELEASE	'15 JUN 10	DEL EATON
R1	REMOVED 12.00-12.75 SADDLE. OBSOLETE CASTING. "L" DIM FOR 13.20 WAS 16.19".	7/19/2017	DJR
	REMOVED 10.00-10.75 SADDLE. OBSOLETE CASTING.		

DIMENSIONS

NOM. SIZE	PIPE OD RANGE	L	R
4"	4.00 - 4.50	6.94	2.25
	4.50 - 4.80	7.00	2.40
	4.50 - 5.40	7.63	2.70
6"	6.00 - 6.63	8.75	3.32
	6.63 - 7.60	9.50	3.80
8"	8.00 - 8.63	11.19	4.32
	8.63 - 9.05	11.13	4.53
	8.63 - 9.80	11.81	4.90
10"	10.00 - 11.10	13.06	5.55
	11.10 - 12.12	14.19	6.06
12"	12.00 - 13.20	15.19	6.60
	13.20 - 14.38	16.31	7.19
14"	15.30 - 16.80	11.69	8.40
16"	17.40 - 18.90	12.69	9.45
18"	19.50 - 21.10	12.69	10.45
20"	21.10 - 22.70	12.69	11.35
22"	22.70 - 24.30	12.63	12.15
24"	24.30 - 25.90	14.5	12.95
26"	25.70 - 27.30	14.5	13.65
28"	27.30 - 28.90	14.5	14.45
	28.90 - 30.50	14.5	15.25
30"	30.50 - 32.10	14.5	16.05

FOR CUSTOMER USE

RELEASED

<p>PROPRIETARY NOTICE</p> <p>THIS DRAWING CONTAINS CONFIDENTIAL PROPRIETARY INFORMATION AND IS THE PROPERTY OF ROMAC IND., INC. IT IS TO BE USED ONLY FOR THE PURPOSE FOR WHICH IT WAS SUBMITTED AND SHALL NOT HAVE ITS INFORMATION DISCLOSED OR REPRODUCED IN WHOLE OR IN PART FOR ANY PURPOSE WITHOUT PRIOR WRITTEN PERMISSION OF ROMAC IND., INC.</p>		<p>UNLESS OTHERWISE SPECIFIED</p> <ul style="list-style-type: none"> • DIMENSIONS ARE IN INCHES • TOLERANCES ARE ON: <ul style="list-style-type: none"> 1 PL DECIMALS ± 0.020 2 PL DECIMALS ± 0.010 3 PL DECIMALS ± 0.005 • ANGLES ± 1° • FRACTIONS ± 1/64 • DIMENSIONS IN () ARE FOR REFERENCE ONLY 		<p>SIGNATURES</p> <p>DRAWN Derek Richardson</p> <p>APPROVED Sam Hill</p>		<p>DATE</p> <p>07/19/2017</p> <p>7/19/2017</p>		<p>ROMAC INDUSTRIES INC.</p> <p>TITLE 202S AND 202NS SADDLES 4" - 30"</p>				
<p>MODEL NAME: 202NS-9.05 X 1 IP MODEL CAD #: CAD-021154 VERSION:</p>		<p>CONFIGURATION NAME: 202S</p>		<p>THIRD ANGLE PROJECTION</p>		<p>DWG. NO. CAD-021165</p>		<p>SIZE A</p>	<p>REV. NO. R1</p>	<p>SCALE 1:4</p>	<p>SHEET 1 OF 1</p>	
<p>AUTHOR: Del Eaton</p>												