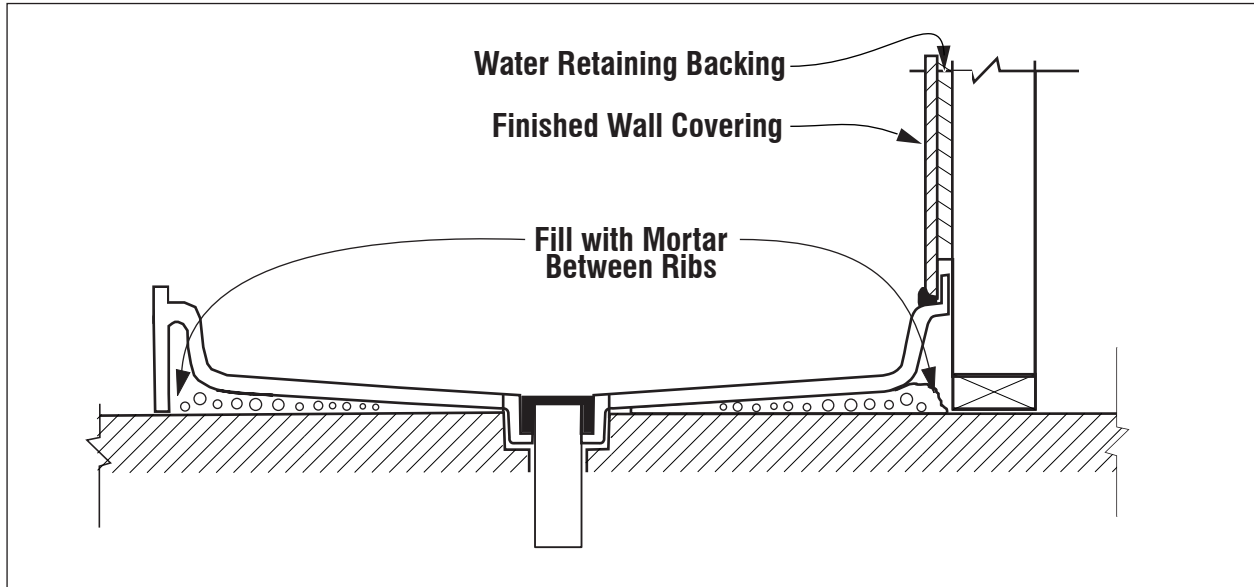


Molded Fiberglass Shower Receptors Installation Instructions



1. Examine sub-floor shower area for movement and/or squeaks. Fix any problems encountered.
2. 101 PNC drain requires minimum 5" diameter by 2¼" deep recess in sub-floor for adequate clearance.
3. Level and plumb receptor on a bed of mortar (fill between ribs) for warranty compliance. (See drawing.)
4. Allow mortar to cure (24hrs) before stepping onto pan for Step #5.
5. After attaching drain, use water and check for proper drainage before finishing walls.

SPECIAL GRANITE COLORS:



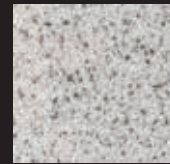
**Florestone
Vanilla**



**Florestone
Crushed Almond**



**Florestone
Sandy Beach**



**Florestone
Pewter**



FLORESTONE PRODUCTS CO., INC.

2851 Falcon Drive • Madera, CA 93637

T. 559.661.4171 • T. 800.446.8827

F. 559.661.2070 • florestone.com

Dimensions subject to change without notice.

**Contact Florestone Products to
verify product specifications.**

**Dimensions may vary ± 1/4" inch.
Please check unit before installation.**