

# 200 PSI CWP Bronze Gate Valves

Bronze Body • Screw-in Bonnet • Non-Rising Stem • Solid Wedge • Compact Design • Full Port

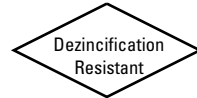
**200 PSI/14 Bar Non-Shock Cold Working Pressure**

## MATERIAL LIST

PART	SPECIFICATION
1. Handwheel Screw	Stainless Steel, Type 430
2. Handwheel	Aluminum
3. Stem	Bronze ASTM B 99 Alloy C65100 H04
4. Stem O-Ring	EPDM
5. Bonnet	Cast Brass ASTM B 584 Alloy C84400
6. Wedge	Cast Brass ASTM B 584 Alloy C84400
7. Body	Cast Brass ASTM B 584 Alloy C84400

## DIMENSIONS — WEIGHTS

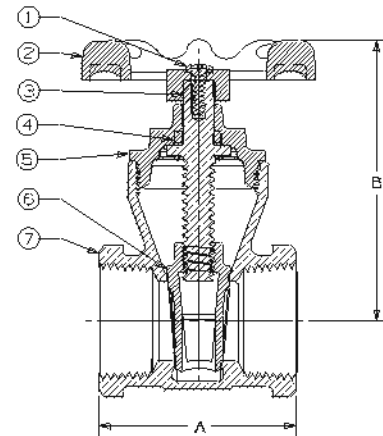
Size		A		B		C		Wt. Lbs.	
In.	mm.	In.	mm.	In.	mm.	In.	mm.	T-29	S-29
1/2	15	1.89	48	2.28	58	0.85	22	0.48	0.42
3/4	20	2.04	52	2.75	70	0.88	22	0.75	0.65
1	25	2.31	59	3.23	82	0.97	25	1.22	1.11
1 1/4	32	2.62	67	3.61	92	1.06	27	1.62	1.38
1 1/2	40	2.81	71	4.14	105	1.20	30	2.12	1.98
2	50	2.86	73	4.97	126	1.32	34	3.29	3.23



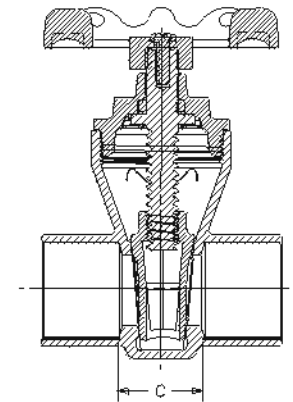
**T-29**  
Threaded



**S-29**  
Solder



**T-29**  
NPT x NPT



**S-29**  
Cup x Cup

NOT FOR USE WITH POTABLE DRINKING WATER APPLICATIONS AFTER JANUARY 3, 2014.