



AK INDUSTRIES

POLY SUMP & SEWAGE BASINS



SERVING THE WASTEWATER INDUSTRY SINCE 1981

WWW.AKINDUSTRIES.COM





AK INDUSTRIES, INC.

TABLE OF CONTENTS

PRODUCT

PAGE

	TWO-PIECE CLEAR COVER	03
	RADON SUMP ADAPTER	04
	POLY PRO BASINS	05
	ROLL TOP BASINS	06
	CORRUGATED BASINS	07
	SIDE VENT EJECTOR BASIN	08
	RIBBED BASIN	09
	POLY BASIN EXTENSIONS	10
	COVERS	11
	18" COVER GASKET RING	12
	BASIN ACCESSORIES	13
	ADAPTAFLEX SERIES	14
	ADAPTAFLEX INSTRUCTIONS	15
	PUMP JON	16
	WATER BOXES	17
	SINK TRAY	18
	TRIPLE GARAGE SYSTEM	19
	RADON PREVENTION	20
	PROPER INSTALLATION	21
	QUALITY & WARRANTY	22
	LIST OF ALL POLY PRODUCTS	23

A MESSAGE TO OUR CUSTOMERS

Dear Customer,

We are pleased to present to you our latest catalog of Poly Sump & Sewage Basins and accessories. We have continuously improved our existing product lines while adding new products year after year.

Improvements have come from redesigning products, such as the new two-piece clear cover, the radon sump adapter, or the triple-garage basin. We are also improving by investing in new machinery to more efficiently and cost-effectively produce our basins. Our products are quickly becoming the universal standard for the wastewater industry, such as our "Poly Pro" line of basins or our flexible grommets "Adapt-a-Flex" product line.

Our company has been in business since 1981. In those 35 years since my brother and I founded AK Industries, we have learned that in order to be successful and remain successful, a business must meet the following criteria.

First, a top quality line of products would need to be provided to the industry with consistent engineering and product detail.

Second, we must dedicate ourselves to providing reliable customer service that can respectfully solve problems by educating customers on products. This saves them time and money. We have invested in our employees, and our employees have proven indispensable to our success because of their knowledge and service to the customer.

Lastly, we understand that in order to be successful, we must offer products that provide the best value to the customer. It's not a matter of having the most expensive or the cheapest product on the market. It's a matter of having the product that delivers the biggest value to your customers.

Whether you are a new customer, or an existing customer, we want to extend our gratitude for choosing AK Industries. We can't wait to prove to you that we offer "The Best Around Underground" in the sump & sewage basin industry. We realize our next 35 years of business will depend on continued commitment to product quality, innovating existing products, and providing quality customer service.

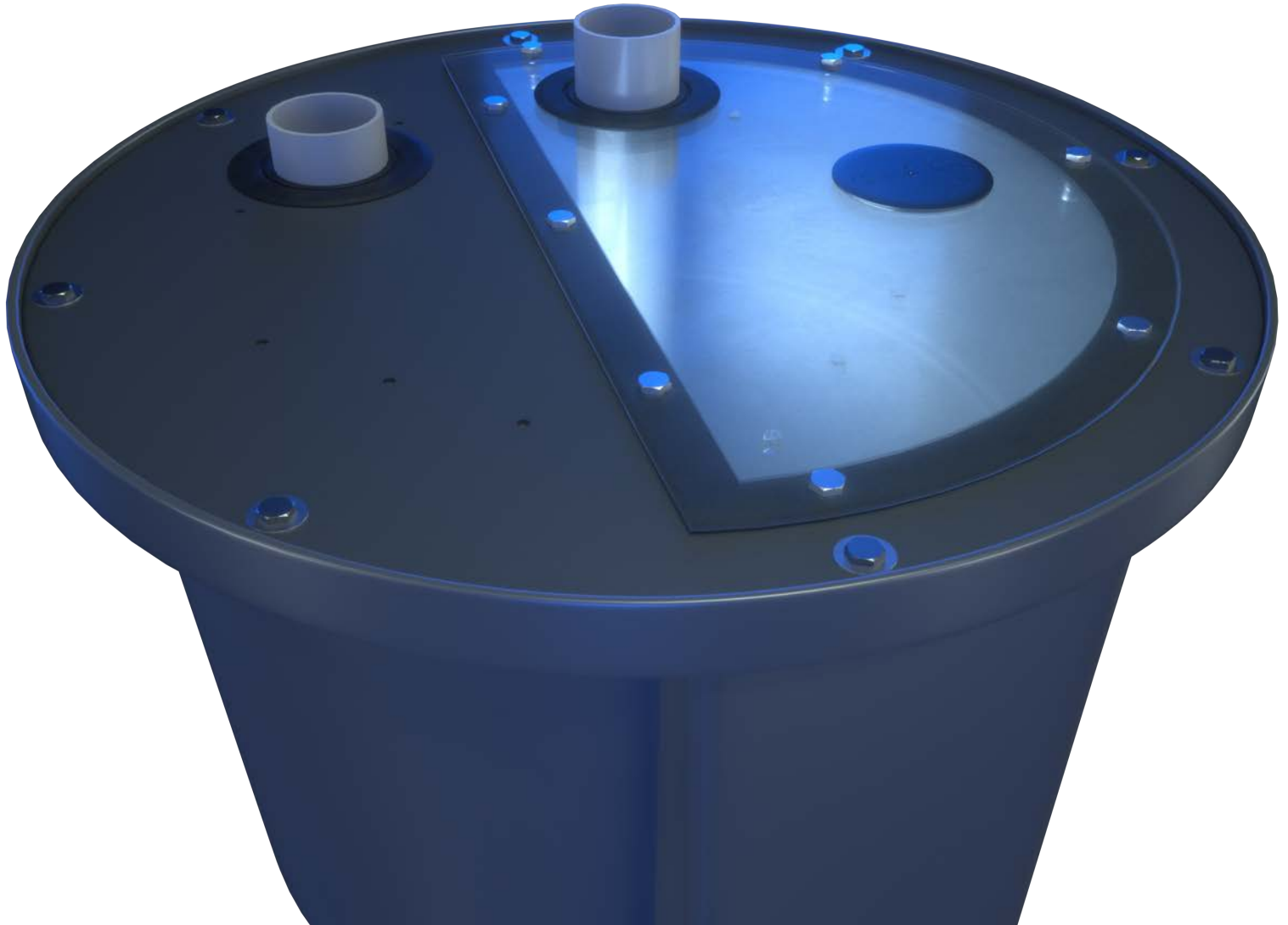
Let us prove to you why we are still

"The Best Around Underground!"

"THE BEST AROUND UNDERGROUND"

For over 35 years as a manufacturer, we have responsibly mitigated our waste and environmental impact through advanced in-house recycling programs, waste management systems, and even replacing every light bulb across our 250,000 sq. ft of manufacturing space with high efficiency lighting.

We are a manufacturer of technologies that are designed to protect the environment, so it is paramount that our company responsibly and sustainably handle our waste and our environmental impact.



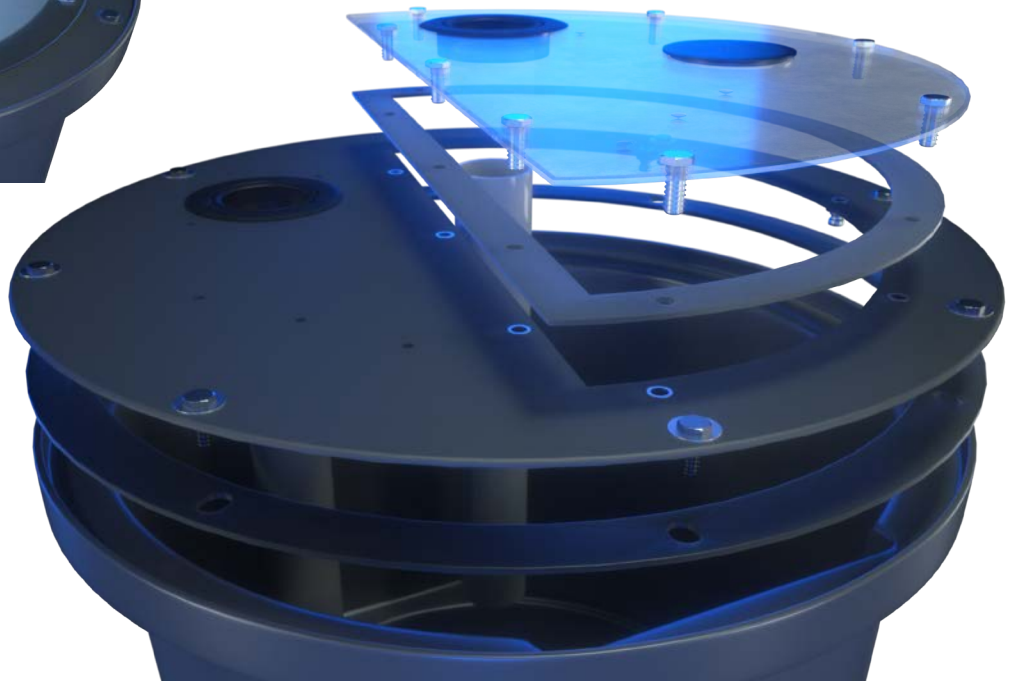
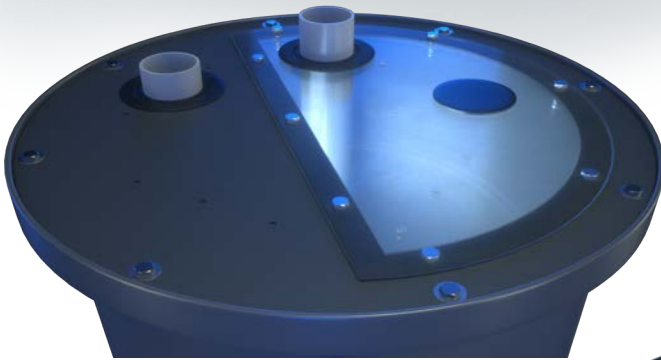
Submersible Wastewater
Pump Association





TWO-PIECE CLEAR COVER

Now introducing our latest product innovation, the redesigned AK two-piece sump and sewage basin cover. The innovative clear access plate design will make it easier than ever to service a sump and sewage basin due to the brass inserts and removable cover design. Never worry about stripping screws in the cover again. Quick and easy access means saving time, money, and no need for replacement parts.



Once installed, the 8 stainless steel bolts that mount the cover to the basin will never have to be removed again.

Only remove the bolts from the clear access plate in order to service the sump basin or remove the sump pump.

MATERIAL	Hexene Copolymer of Linear Low Density Polyethylene
WEIGHT	4 lbs
WALL THICKNESS	0.25
WARRANTY	One year
COVER SPECS	
<ul style="list-style-type: none"> • Part Numbers: AKP80300 to AKP80315 • Discharge Sizes: 1.5", 2", & 3" • Vent Sizes: 1.5", 2", & 3" • Bolt Down Flanges: 1.5", 2", 3", & Gas Tight 	
DETAILS	
<ul style="list-style-type: none"> • Heavy duty structural foam construction with clear access plate cover • Stainless steel hardware and (8) brass inserts for removing access plate • Heavy duty PVC gaskets for a radon tight design • Easy access to the pump without cutting the vent pipe • Works with all AK Industries 18" sump basins • Available with 1 -1/4" – 2" discharge and vent fittings • Works with all models of submersible sump pumps • Pedestrian traffic rated 	



RADON SUMP ADAPTOR

We want to introduce our second new product, the AK Radon Sump adapter, which is designed to be used with any existing, already installed sump basin. This adapter will create a radon gas-tight seal around the existing sump basin, and it can be used with any 18" AK covers.



MATERIAL	High Quality High Density Polyethylene (HDPE)
WEIGHT	AKP34000 - 9 lbs
VOLUME	N/A
WALL THICKNESS	0.188"
WARRANTY	One year
DETAILS	

- Creates radon gas-tight seal around pre-existing sump basins
- Accepts all AK 18" sump and sewage basin covers
- Max temperature: 140 degrees F
- Optional side venting location
- Molded inserts design protects screws from concrete corrosion
- Does not include cover



Radon Sump Adapter installed with
AKP80310 18" SF Two-Piece Clear Cover

Go to www.akindustries.com for Installation Instructions of the Radon Sump Adapter



POLY PRO SERIES

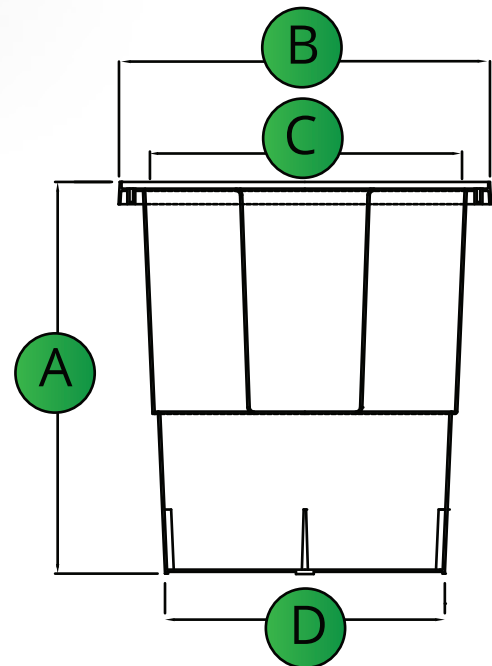
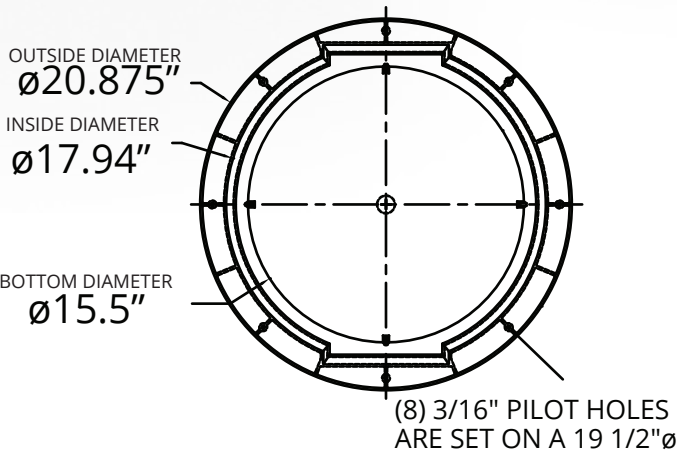
The Poly Pro Series 18x22" is an injection molded, polyethylene sump basin that offers a true 22 gallon capacity coupled with the ability to accept a variety of fittings and covers, which makes this the perfect basin for your installation.



MATERIAL	High Quality High Density Polyethylene (HDPE)
WEIGHT	AKP35000 – 18X22 – 7 lbs
	AKP38000 – 18X30 – 8.5 lbs
VOLUME	AKP35000 – 22 Gallons
	AKP38000 – 30 Gallons
WALL THICKNESS	0.188"
WARRANTY	One year

DETAILS

- Accepts up to 4" Adaptaflex, PVC Hubs, & Cast Iron Hubs
- Reinforced, recessed flange
- Max temperature: 140 degrees F
- See Covers page for available cover configurations & sizes
- Accepts plate with pump feet
- Optional pump locator pockets



PART NUMBER FAMILY	INTERNAL DIAMETER x HEIGHT (in)	CAPACITY (US GALLONS)	WEIGHT (US POUNDS)	WALL THICKNESS (US INCH)	DIMENSIONS (in)			
					A	B	C	D
AKP35000	18 X 22	22	7.0	0.188	22.00	20.88	17.94	15.75
AKP38000	18 X 30	30	8.5	0.188	30.00	21.00	17.94	15.75



ROLL TOP POLY BASIN

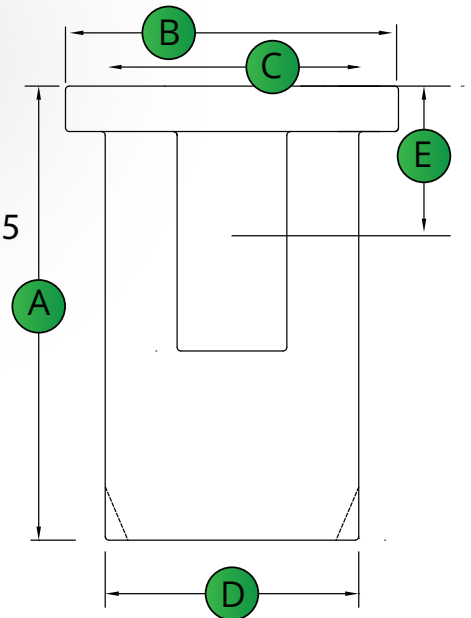
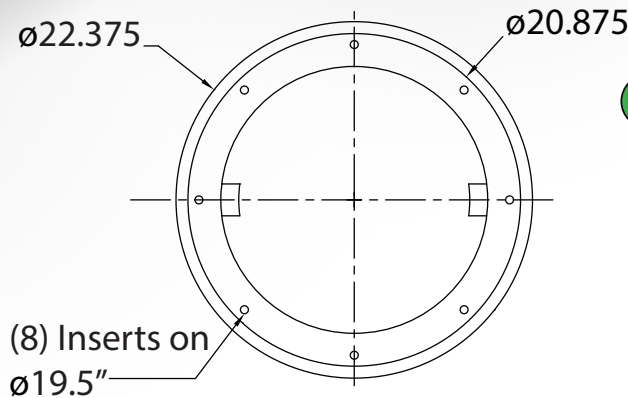
The Roll Top Basin Series is a rotationally molded, polyethylene sump basin that offers gallon capacities from 22 to 159 gallons in our 36"x36" design. These basins also accept a wide variety of fittings and steel or structural foam covers.



MATERIAL	Hexene Copolymer of Linear Low Density Polyethylene
WEIGHT	10 lbs to 45 lbs
VOLUME	22 to 159 Gallons
WALL THICKNESS	0.125", 0.25", 0.3125"
WARRANTY	One year
DETAILS	
<ul style="list-style-type: none"> • Accepts up to 4" Adaptaflex, PVC Hubs, & Cast Iron Hubs • Reinforced, recessed flange • Max temperature: 140 degrees F • See Covers page for available cover configurations & sizes • Accepts plate with pump feet • Optional pump locator pockets 	



Our unique molded insert design allows for tight cover fits while also protecting screws from concrete and corrosion.



PART NUMBER FAMILY	INTERNAL DIAMETER x HEIGHT (in)	CAPACITY (US GALLONS)	WEIGHT (US POUNDS)	WALL THICKNESS (US INCH)	DIMENSIONS (in)				
					A	B	C	D	E
AKP50000	14x24	12	12	0.125	24.5	16.375	13.5	12.25	n/a
AKP30000	18x22	22	10	0.125	24.5	22.5	17	14.5	11
AKP30070	18x30	30	17	0.25	32.8	22.5	18.3	17	13.5
AKP30200	24x24	48	22	0.25	25.5	30.5	24	24	13.5
AKP30230	24x30	59	24	0.25	33	30.5	24	24	13.5
AKP30260	24x36	71	26	0.25	39	30.6	24	24	13.5
AKP30290	30x36	110	35	0.3125	38.5	36.5	29	29	13.5
AKP30320	36x36	159	45	0.3125	38.5	42.8	36	36	13.5



CORRUGATED SUMP BASINS

The Corrugated Sump Basin is an injection molded, polyethylene sump basin that offers added strength through its ribbed design. It also features perforated knock outs for easily plumbing and installing the basin.



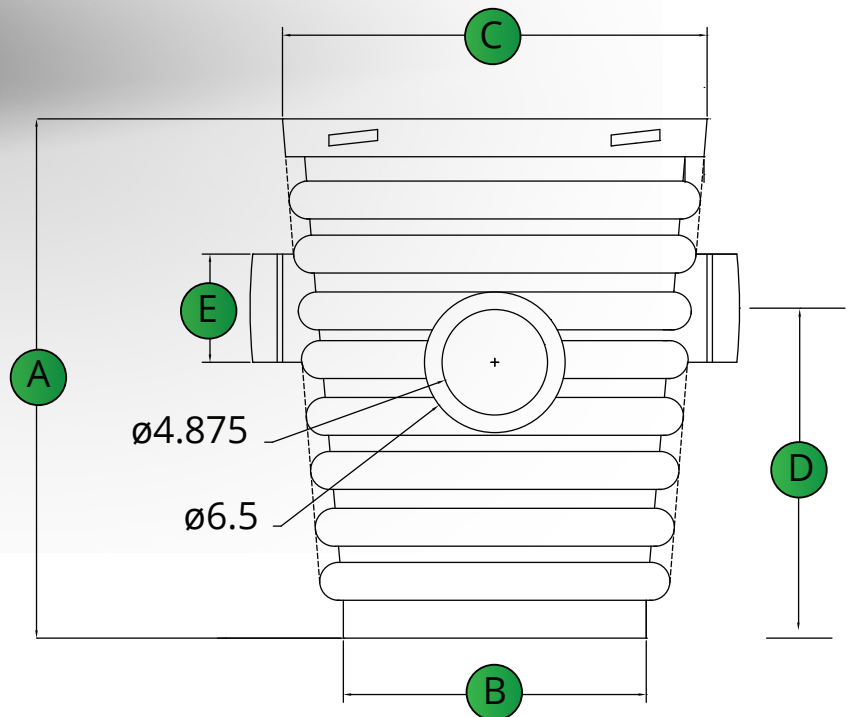
MATERIAL	High Quality High Density Polyethylene (HDPE)
WEIGHT	7 lbs
VOLUME	14 gallons
WALL THICKNESS	0.188"
WARRANTY	One year

DETAILS

- Accepts up to 4" corrugated pipe
- Only accepts AK slotted cover (#AKP60140)
- Max temperature: 140 degrees F
- Sump pit applications only, unsuitable for external installation
- Allows cover rotation
- Standard according to ASTM F405



AKP60140 - Twist on Cover



PART NUMBER FAMILY	INTERNAL DIAMETER x HEIGHT (in)	CAPACITY (US GALLONS)	WEIGHT (US POUNDS)	WALL THICKNESS (US INCH)	DIMENSIONS (in)				
					A	B	C	D	E

AKP20000	18 X 22	14	7.0	0.188	24.00	14	20	18	5
----------	---------	----	-----	-------	-------	----	----	----	---

SLOTTED COVER FOR CORRUGATED BASIN

AKP60140	18"	n/a	3	0.188	n/a	n/a	n/a	n/a	n/a
----------	-----	-----	---	-------	-----	-----	-----	-----	-----



SIDE VENT EJECTOR BASINS

The Side Vent Basin is a rotationally molded, polyethylene sump basin that provides easier access to the vent pipe to cut down on maintenance and service time. This design provides easy removal of the lid without the need to cut the vent pipe in order to service the system.

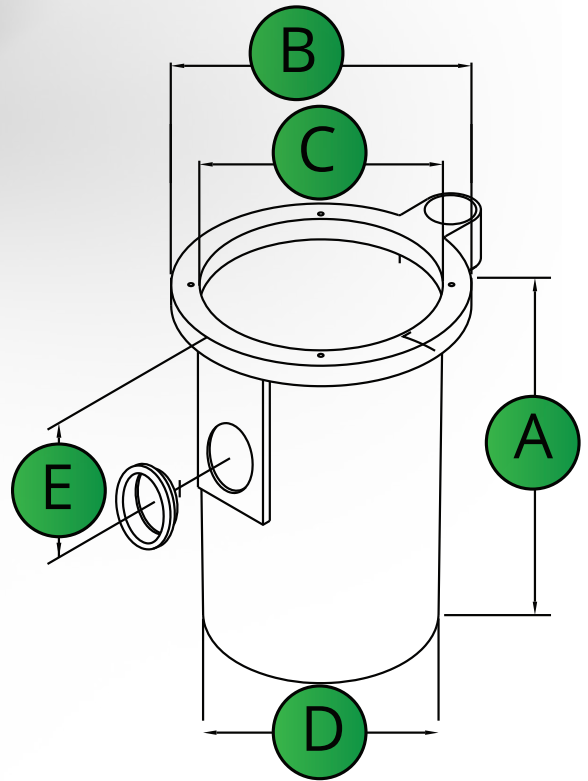


Our unique molded insert design allows for tight cover fits while also protecting screws from concrete and corrosion.

MATERIAL	Hexene Copolymer of Linear Low Density Polyethylene
WEIGHT	AKP40040 – 18X30 – 17 lbs
	AKP40210 – 22X32 – 24 lbs
VOLUME	AKP40040 – 30 Gallons
	AKP40210 – 49 Gallons
WALL THICKNESS	0.188"
WARRANTY	One year

DETAILS

- Accepts up to 4" Adaptaflex, PVC Hubs, & Cast Iron Hubs
- Reinforced, recessed flange
- Max temperature: 140 degrees F
- See Covers page for available cover configurations & sizes
- 2" or 3" Side Vent Fitting allows vent to remain connected

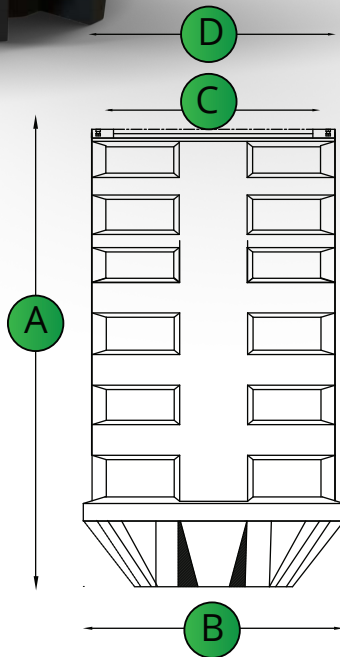


PART NUMBER FAMILY	INTERNAL DIAMETER x HEIGHT (in)	CAPACITY (US GALLONS)	WEIGHT (US POUNDS)	WALL THICKNESS (US INCH)	DIMENSIONS (in)				
					A	B	C	D	E
AKP40040	18x30	30	17	0.188	32.5	22	17.5	16.5	10.5
AKP40120	22x32	49	24	0.188	32.5	26	22	21.5	10.5



RIBBED BASINS

The Ribbed Basin is a rotationally molded, polyethylene sump basin that comes in a variety of sizes 24x48 (98 Gal.), 24x60 (118 Gal.), 24x72 (141 Gal.), 24x84 (165 Gal.), and 36x48 (200 Gal.). This basin can function as an external sump basin or lift out station.



MATERIAL	Hexene Copolymer of Linear Low Density Polyethylene
WEIGHT	67 lbs to 130 lbs
VOLUME	94 to 200 Gallons
WALL THICKNESS	0.25"
WARRANTY	One year

DETAILS

- Accepts up to 4" Adaptaflex, PVC Hubs, & Cast Iron Hubs
- Reinforced, recessed flange
- Max temperature: 140 degrees F
- See Covers page for available cover configurations & sizes
- Extensions available in 24" or 36"
- 8 molded inserts to protect screws from concrete and corrosion
- Available alone or with a complete rail system

PACKAGED PUMP SYSTEM INCLUDES

- Stainless Steel Guide Rails
- Stainless Steel Discharge Piping
- Polyethylene Cover Options: AKP60160 to AKP60190)
- Pump Lifting Chains
- Accepts most 1 - 1/4" to 2" Discharge Pumps
- Engineered ribbed design for superior structural integrity

PART NUMBER FAMILY	INTERNAL DIAMETER x HEIGHT (in)	CAPACITY (US GALLONS)	WEIGHT (US POUNDS)	WALL THICKNESS (US INCH)	DIMENSIONS (in)			
					A	B	C	D
AKP20010	24 X 48	98	67	0.25	48.375	29.75	22.375	27.5
AKP20020	24 x 60	118	80	0.25	59.75	29.75	22.375	27.5
AKP20020-H	24 x 60 HD	118	85	0.25	59.75	29.75	22.375	27.5
AKP20030	24 x 72	141	92	0.25	72.125	29.75	22.375	27.5
AKP20040	24 x 84	165	105	0.25	84.125	29.75	22.375	27.5
AKP20045	24 x 96	188	130	0.25	96.125	29.75	22.375	27.5
AKP20260	36 x 48	200	120	0.25	48.00	42.75	34.75	39.75
AKP20270	36 x 48	200	120	0.25	48.00	42.75	34.75	39.75

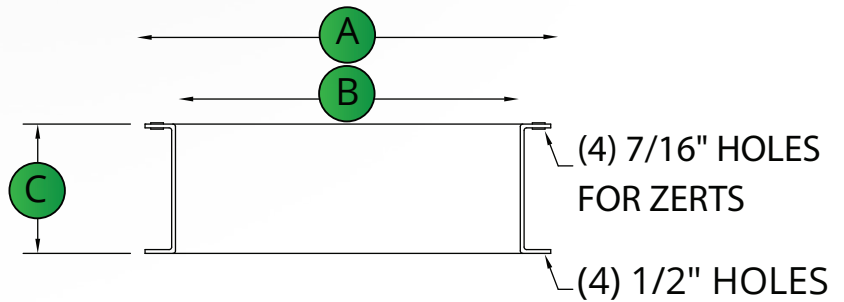
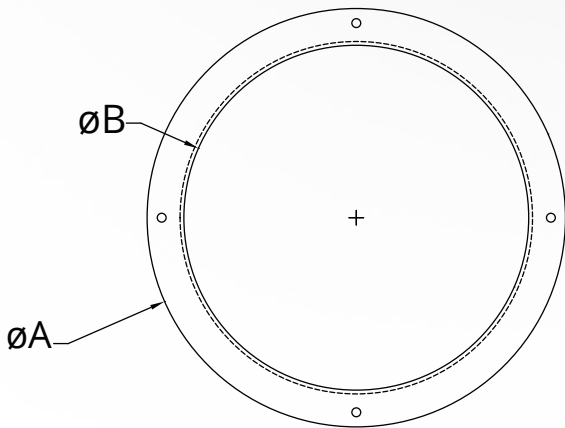


POLY BASIN EXTENSIONS

The Basin Extension is a polyethylene riser that extends the height of your basin by 6" and 12" to increase the capacity of your basin or bring it up to final grade. These extensions come with a gasket pack and metal inserts to make assembly easier. We also offer an extension for our triple garage basins.



MATERIAL	Hexene Copolymer of Linear Low Density Polyethylene
WEIGHT	AKP10270 – 5 lbs
	AKP10260 – 8 lbs
	AKP20005 – 8 lbs
	AKP20250 - 10 lbs
VOLUME	n/a
WALL THICKNESS	0.188"
WARRANTY	One year
DETAILS	
<ul style="list-style-type: none"> • Available in 6" and 12" lengths • Pre-Drilled Holes for Ease of Installation • Includes 4 - 1/4"-20 Bolts, Inserts and Foam Gasket • Accepts all 18" Covers • Great for Changing Inlet Depths, due to Grade Adjustments 	



PART NUMBER FAMILY	INTERNAL DIAMETER x HEIGHT (in)	WEIGHT (US POUNDS)	WALL THICKNESS (US INCH)	DIMENSIONS (in)		
				A	B	C
AKP10270	18 X 6	5	0.188	20.5	17.0	6.0
AKP10260	18 X 12	8	0.188	20.5	17.0	12.0
AKP20005	24 X 12	8	0.188	28.5	24.0	12.0
AKP20250	36 X 12	10	0.188	40.5	36.0	12.0



SUMP AND SEWAGE BASIN COVERS

AK offers an extensive line of basin covers and accessories just right for your particular installation. Covers are available in powder-coated Steel, Structural Foam, and Plastic Domes for simplex applications. In response to the demand for radon sealed systems, there are several covers especially designed for radon applications that come complete with seal gaskets and bolts.



18" STRUCTURAL FOAM

Part Numbers: AKP80008 to AKP80250

Discharge Sizes: 1.5", 2", & 3"

Vent Sizes: 1.5", 2", & 3"

Bolt Down Flanges: 1.5", 2", 3", & Gas Tight

Solid or Slotted design

With or without holes and hardware



18" STEEL

Part Numbers: AKP70000 to AKP70300

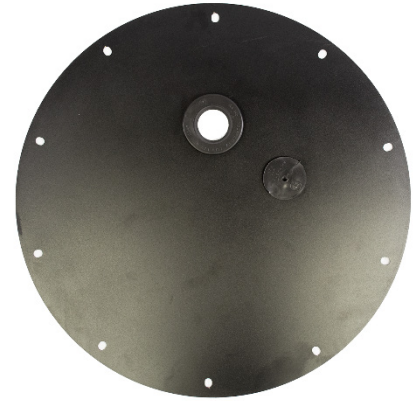
Discharge Sizes: 1.25", 2", & 3"

Vent Sizes: 1.5", 2", & 3"

Bolt Down Flanges: 1.5", 2", 3", & Gas Tight

Solid Cover option available

With or without holes and hardware



22" STEEL SIDE VENT

Part Numbers: AKP70310 & AKP70300

Discharge Sizes: 2" or 3"

Vent Sizes: 2" or 3"

Bolt Down Flanges: 2", 3", & Gas Tight



24" COVER FOR RIBBED BASIN

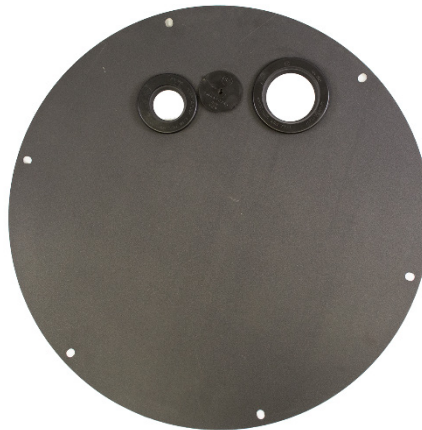
Part Numbers: AKP60160 to AKP60190

Discharge Sizes: 2"

Vent Sizes: 1.5", 2", & 3"

Bolt Down Flanges: 1.5", 2", 3", & Gas Tight

Solid cover available or heavy duty option



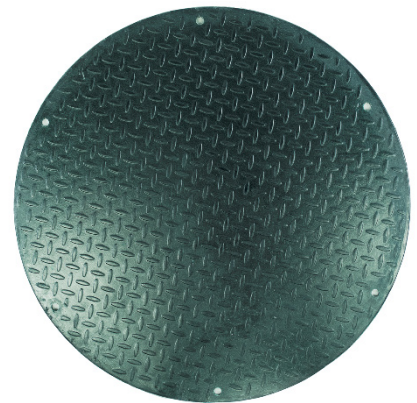
24" STEEL

Part Numbers: AKP70345 to AKP70380

Discharge Sizes: 1.5" or 2"

Vent Sizes: 1.5", 2", & 3"

Bolt Down Flanges: 1.5", 2", 3", & Gas Tight



FIBERGLASS COVERS

Part Numbers: AKP90000 to AKP90050

Discharge Sizes: n/a

Vent Sizes: n/a

Bolt Down Flanges: n/a

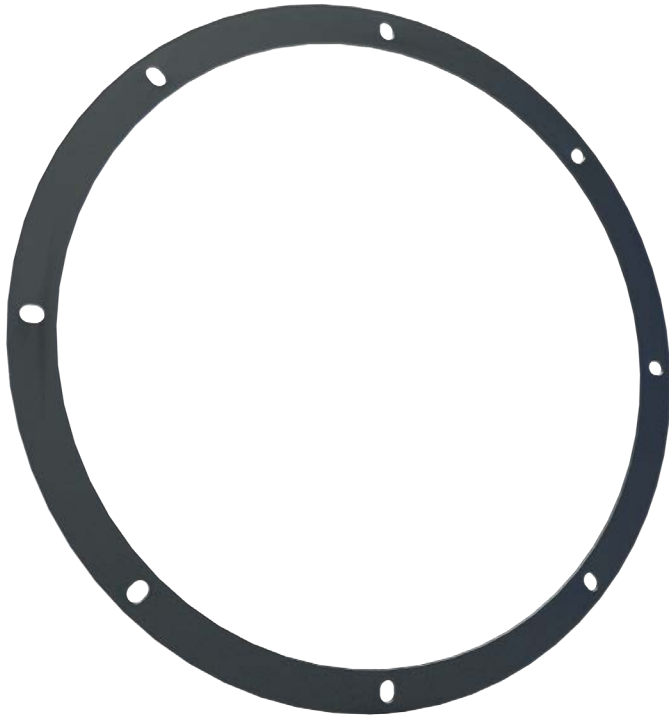
Sizes: 24", 30", 36"

Available in 24" co-polymer option



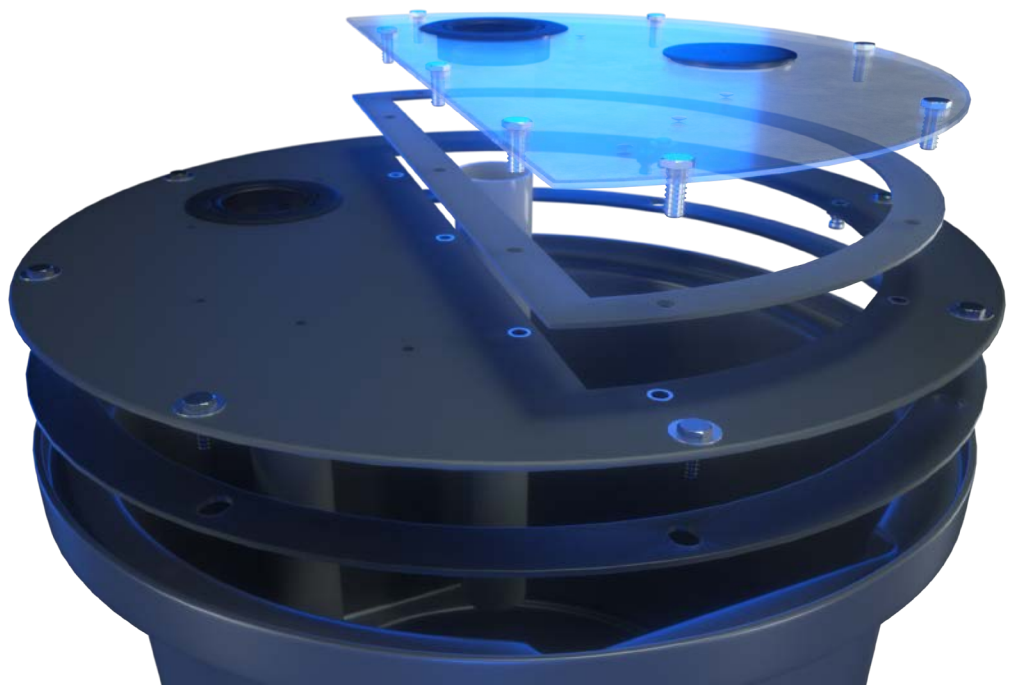
18" COVER GASKET RING

We're also introducing another product innovation, our new 18" Cover Gasket Ring, which can replace gasket tape with our state-of-the-art gasketing material. It will fit all AK 18" basins and covers. This gasket will last longer than any gasket tape, and allow easier access and quicker service time.



MATERIAL	Thermoplastic Neoprene Rubber
WEIGHT	AKP09995 <1 lb
WALL THICKNESS	0.125
WARRANTY	One year
COVER SPECS	
<ul style="list-style-type: none">• Part Numbers:	
DETAILS	
<ul style="list-style-type: none">• Works with all 18" AK basins and covers• One-piece design for fast installation• Water and Radon gas-tight seal• Durable and resistant to corrosion• Easy access saves time for service and maintenance	

18" Cover Gasket Ring installed on the AK Two-Piece Clear Cover and 18" Poly Pro Basin





ACCESSORIES

AK offers a variety of sump and sewage basin accessories such as cast iron hubs, PVC hubs, and combination hubs that will work with either metal or plastic. We also offer different discharge and vent flange options such as the bolt-down flange or a regular flange fitting.



AKP10160

CAST IRON HUB 2"



AKP10170

CAST IRON HUB 4" CURVED



AKP10180

CAST IRON HUB 4"

HUBS



AKP10185

PVC HUB 3"



AKP10186

PVC HUB 4"



AKP10187

PVC COMBO HUB 4"

FLANGES



AKP10120

DISCHARGE FLANGE 1.25"



AKP10130

DISCHARGE FLANGE 1.5"



AKP10140, AKP10150

DISCHARGE FLANGE 2" & 3"

VENT FLANGES



AKP10810

THREADED VENT FLANGE 2"



AKP10820

THREADED VENT FLANGE 3"



ADAPTAFLEX FITTINGS

The AK Adaptaflex grommets are high quality polyethylene, flexible grommets that provide a water and gas tight seal. These grommets have durable PVC Neoprene Composition and are used across many different industries.



AKP10000
ADAPTAFLEX 0.375"



AKP10010
ADAPTAFLEX 0.50"



AKP10020
ADAPTAFLEX 0.75"



AKP10030
ADAPTAFLEX 1.00"



AKP10035
ADAPTAFLEX 1.25" FOR 2"
HOLE



AKP10040
ADAPTAFLEX 1.25" FOR 3"
HOLE



AKP10050
ADAPTAFLEX 1.5" FOR 2
1/2" HOLE



AKP10060
ADAPTAFLEX 1.5" FOR 3"
HOLE



AKP10070
ADAPTAFLEX 2"



AKP10080
ADAPTAFLEX 3"



AKP10081
GROMMET, PLUG 3"
BLANK



AKP10090
ADAPTAFLEX 3X2



AKP10100
ADAPTAFLEX 4" SCH35



AKP10110
ADAPTAFLEX 4" SCH40



AKP10111
ADAPTAFLEX 4" SCH40
WITH RETAINING RING



AKP10120
ADAPTAFLEX 6" SCH35



AKP10130
ADAPTAFLEX 6" SCH40



AKP10570
MULTI-TITE 4"



AKP10710
RP1 (CORD SEAL) 1 HOLE



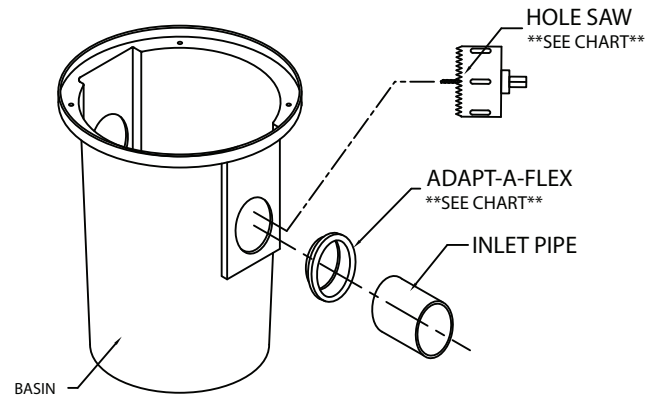
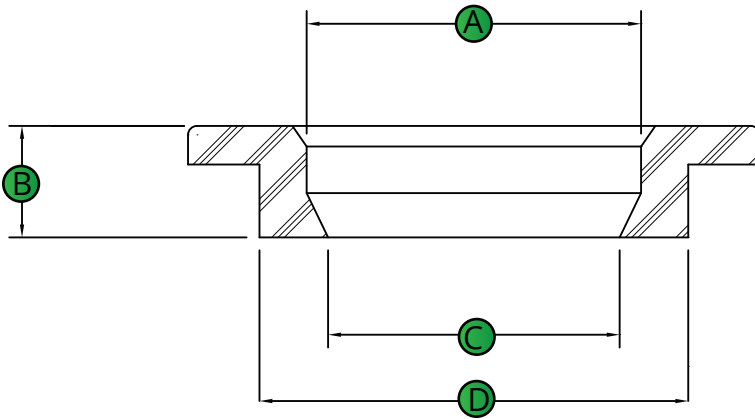
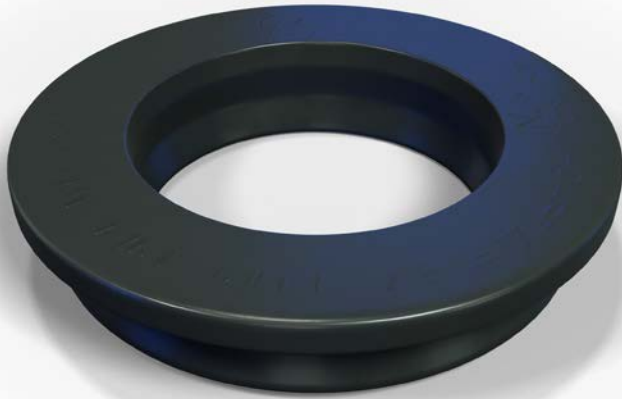
AKP10720
RP2 (CORD SEAL) 2 HOLE



ADAPTAFLEX FITTINGS

BASIC ADAPTAFLEX INSTALLATION INSTRUCTIONS

1. Select proper hole saw from chart below and cut hole at desired location in part.
2. Insert adaptaflex into the hole, making sure that it is flush against part.
3. Slightly bevel one end of inlet pipe, making it easier to push through adaptaflex.
4. Apply soapy water to adaptaflex at inlet insertion point.
5. Apply soapy water on the beveled end of the inlet pipe.
6. Push inlet pipe through adaptaflex.

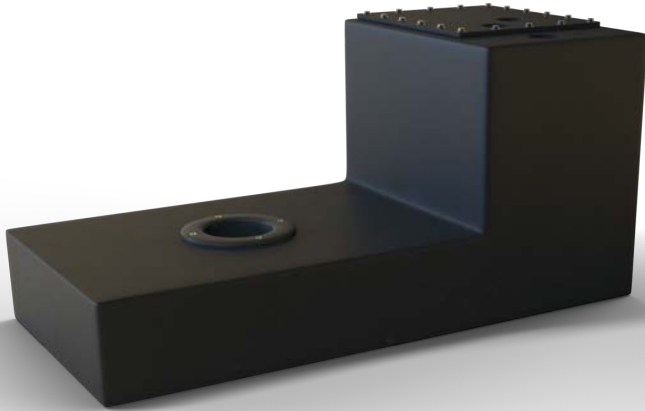


PART NUMBER	SIZE	A	B	C	D	SAW SIZE
AKP10000	3/8"	0.659	0.375	0.467	1.046	1"
AKP10010	1/2"	0.853	0.488	0.662	1.325	1-1/4"
AKP10020	3/4"	1.044	0.495	0.847	1.324	1-1/4"
AKP10030	1"	1.300	0.220	1.050	1.780	1-3/4"
AKP10035	1 1/4" NS	1.637	0.506	1.385	2.078	2"
AKP10040	1-1/4" OS	1.618	0.507	1.361	2.971	3"
AKP10050	1-1/2" NS	1.898	0.503	1.589	2.566	2 1/2"
AKP10060	1-1/2" OS	1.824	0.502	1.554	2.950	3"
AKP10070	2"	2.303	0.513	2.040	2.980	3"
AKP10080	3"	3.491	0.512	3.195	4.065	3 7/8"
AKP10090	3" X 2"	2.288	0.513	2.011	4.055	3 7/8"
AKP10100	4" (SDR35)	4.292	0.508	3.837	4.979	4 7/8"
AKP10110	4" (SDR40)	4.435	0.515	4.192	5.035	4 7/8"
AKP10120	6" (SDR35)	6.275	0.512	5.500	7.063	7"



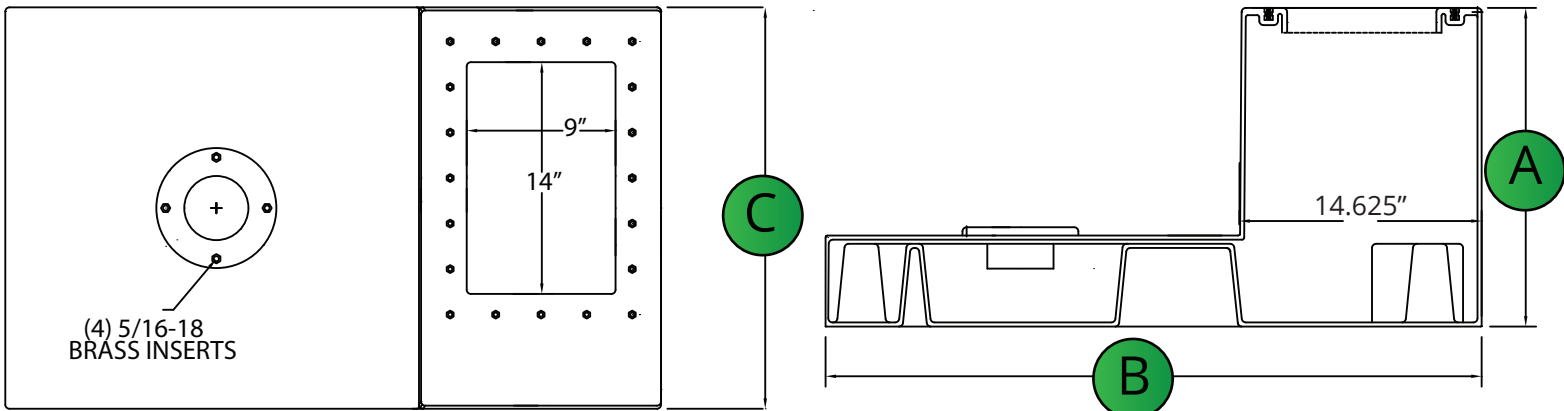
PUMP JON

Put a bathroom anywhere with the AK Pump Jon System! You can install a toilet in basements, workshops, cabins, etc. without having to tear up any concrete floors. The Pump Jon allows for fixtures such as sinks, showers and tubs to be plumbed as well. It can be a free-standing or built-in system for a more professional look.



MATERIAL	Hexene Copolymer of Linear Low Density Polyethylene
WEIGHT	AKP50620 – 45 lbs
VOLUME	AKP50620 – 8 Gallons
WALL THICKNESS	0.188"
WARRANTY	One year
DETAILS	
<ul style="list-style-type: none"> • Designed for basements, workshops, etc. • Pre-plumbed at factory for easy installation • Includes bolt down lid for easy access • Pre-Drilled Holes for Toilet discharge and vent • Accepts wastewater from toilets, sinks, raised tubs, and showers • DOES NOT INCLUDE PUMP 	

FOR INSTALLATION INSTRUCTIONS,
VISIT WWW.AKINDUSTRIES.COM



PART NUMBER FAMILY	CAPACITY (US GALLONS)	WEIGHT (US POUNDS)	WALL THICKNESS (US INCH)	DIMENSIONS (in)		
				A	B	C
AKP50620	8	45	.150	19.25	39.625	24.25



WATER BOX

The AK Water Box economically solves water handling for laundry tubs, washing machines, wet bars, dehumidifiers, and many other storage and pumping applications. The unit comes completely assembled for an easy, stress-free installation.

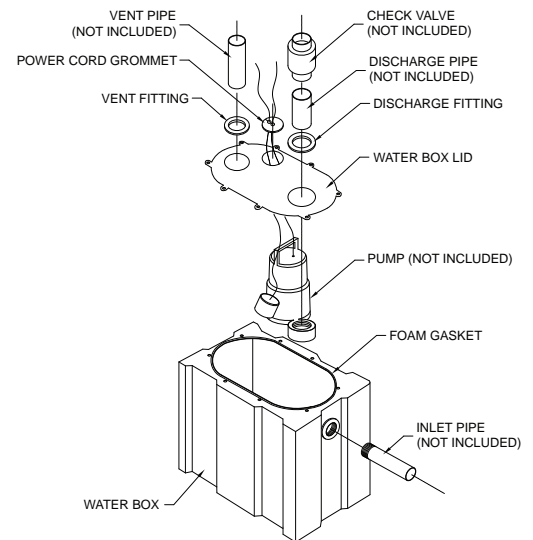
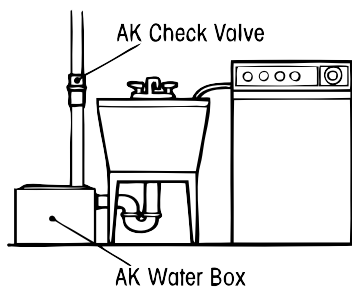
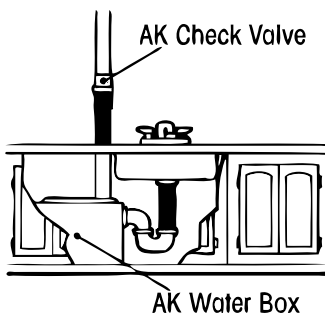


MATERIAL	Hexene Copolymer of Linear Low Density Polyethylene
WEIGHT	AKP50670 to AKP50690 – 8 lbs
VOLUME	AKP50670 to AKP50690 – 6 Gallons
WALL THICKNESS	0.125"
WARRANTY	One year

DETAILS

- Designed for laundry, wet bars, dehumidifiers, etc.
- Assembled at the factory for easy installation
- Includes Bolt Down Cover
- Rotationally molded
- Accepts most 1-1/4" and 1-1/2" Sump Pumps
- Installs in minutes
- **DOES NOT INCLUDE PUMP**

TYPICAL INSTALLATIONS



PART NUMBER FAMILY	CAPACITY	WEIGHT	WALL THICKNESS	DIMENSIONS (in)		
	(US GALLONS)	(US POUNDS)	(US INCH)	LENGTH	WIDTH	HEIGHT
AKP50670	6	8	.125	17	11	14
AKP50680	6	8	.125	17	11	14
AKP50690	6	8	.125	17	11	14
AKP50700	6	8	.125	17	11	14

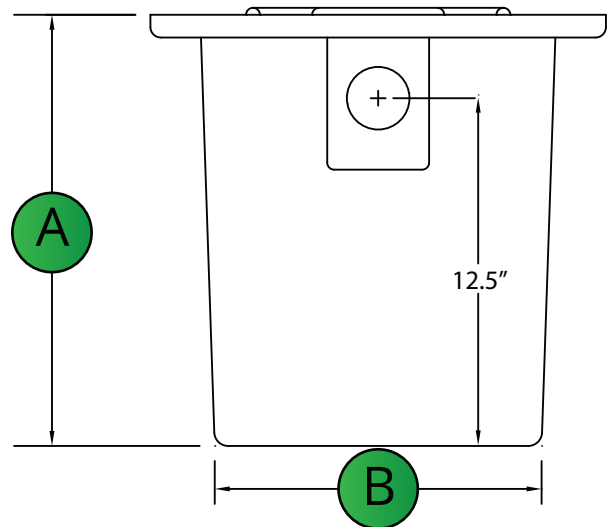
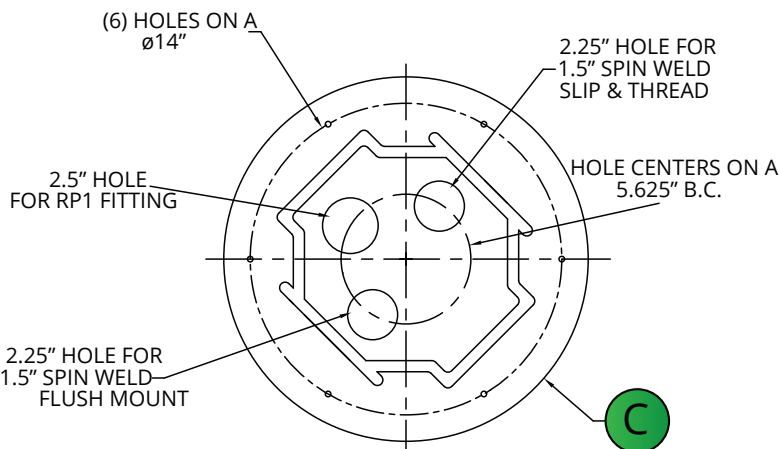


SINK TRAY

As convenient as the Water Box, the Sink Tray instantly and economically solves water handling for laundry tubs, washing machines, wet bars, dehumidifiers and other waste storage and pumping applications.



MATERIAL	Hexene Copolymer of Linear Low Density Polyethylene
WEIGHT	AKP50630 – 7 lbs
VOLUME	AKP50630 – 5.5 Gallons
WALL THICKNESS	0.188"
WARRANTY	One year
DETAILS	
<ul style="list-style-type: none"> • Designed for laundry, wet bars, dehumidifiers, etc. • Assembled at the factory for easy installation • Includes Bolt Down Cover and 1.5" Inlet • Rotationally molded • Accepts most 1-1/4" and 1-1/2" Sump Pumps • Installs in minutes • DOES NOT INCLUDE PUMP 	



PART NUMBER FAMILY	CAPACITY (US GALLONS)	WEIGHT (US POUNDS)	WALL THICKNESS (US INCH)	DIMENSIONS (in)		
				A	B	C
AKP50630	5.5	8	.188	15.5	11.75	16.375



TRIPLE GARAGE SYSTEMS

The newly redesigned AK Poly Triple Garage system is a rotationally molded, high density polyethylene oil and grease separator for small commercial operations. It separates volatile organic compounds, gases, fats, oils, and greases from the wastewater to prevent build-up of explosive gasses.

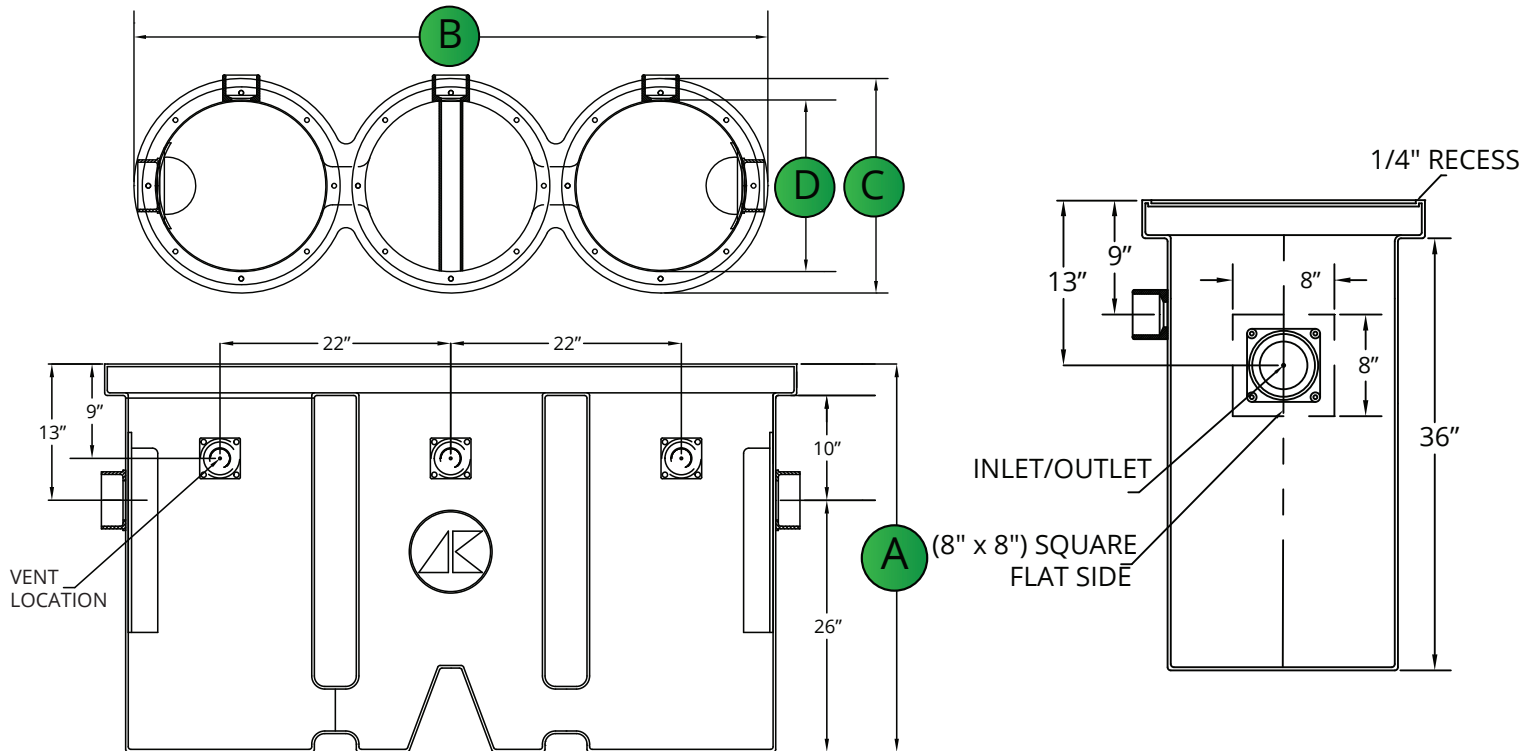


MATERIAL	Hexene Copolymer of Linear Low Density Polyethylene
WEIGHT	AKP50650 – 75 lbs
VOLUME	AKP50650 – 100 Gallons
WALL THICKNESS	0.25"
WARRANTY	One year

DETAILS

- Designed for garages, cleaning plants, and similar facilities where dangerous gases can accumulate
- Pre-plumbed at factory for easy installation
- Cast Iron Inlet/Outlet Fittings 2" Vent Fittings on each basin
- Molded inserts to protect the screws from corrosion
- Accepts extensions AKP10260 (6") & AKP10270 (12")
- Accepts any 18" cover

The only dual-direction oil and grease separator on the market!



PART NUMBER FAMILY	INTERNAL DIAMETER x HEIGHT (in)	CAPACITY (US GALLONS)	WEIGHT (US POUNDS)	WALL THICKNESS (US INCH)	DIMENSIONS (in)			
					A	B	C	D
AKP50650	3 x (18 X 36)	22	75	0.25	39	66	22.5	18



RADON PREVENTION SYSTEM

Radon penetration is a potentially serious problem in many homes and buildings throughout the country. AK's Radon Prevention System is designed to form a gas-tight, sealed unit that resists radon leakage and safely vents it to the outdoors. Any basin can be radon-proof with proper measures of gasketing and sealing.



MATERIAL	Various
WEIGHT	n/a
VOLUME	n/a
WALL THICKNESS	n/a
WARRANTY	One year
DETAILS	
<ul style="list-style-type: none">• Any basin and cover combination will work• Bolt Down flanges for discharge and vent required• RP1 for electrical cord• 16 Bolt Steel Cover with Fittings and Foam Gasket• Bolt Down Cover required• Will not work with Slotted Cover• Will work with 18" Gasket Ring	



PROPER INSTALLATION

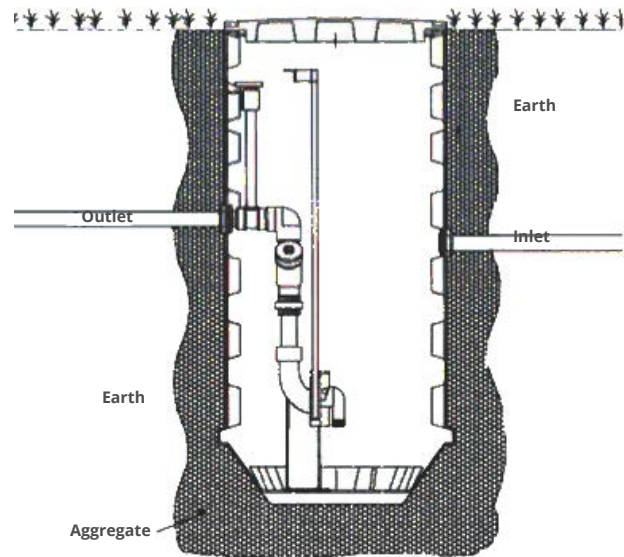
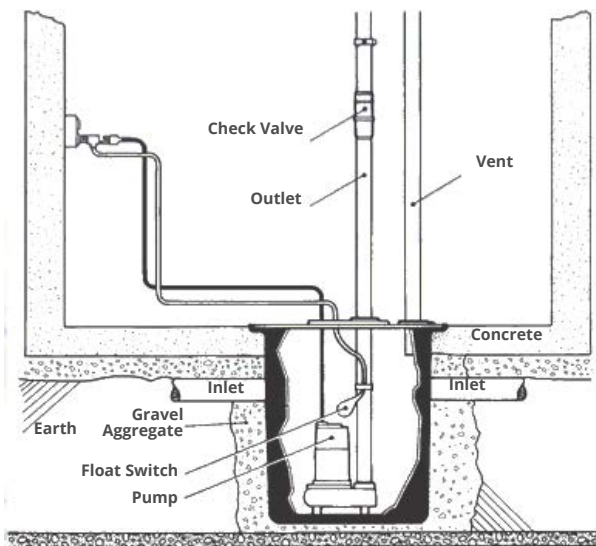
Proper installation of any type of equipment is critical to dependable operation and long, trouble-free life. Although you may be very experienced with the installation of basins and related products, please look over the following general instructions, typical installation illustrations as well as the recommendations for proper installations.

GENERAL INSTALLATION GUIDELINES

1. Inspect all materials and components to be certain nothing was damaged in transit.
2. Excavate a hole large enough for the basin and at least 4"-6" of clean aggregate.
3. Prepare the bottom of the hole with 6" of clean aggregate or a level concrete pad.
4. Install the basin in the hole making certain it is level and meets grade requirements.
5. Connect any underground piping required then carefully back fill with naturally rounded aggregate.
6. Install pump and above ground piping being careful to follow pump manufacturer's instructions.
7. Attach cover to basin and complete installation by attaching electrical, vents, checkvalves, etc.

TYPICAL INSTALLATION DIAGRAM

Shown below are two very typical installations that may be helpful. One is an indoor, vented sump/sewage basin—the other an outdoor, ribbed sewage system. Your particular needs may be slightly different but should follow the general guidelines as described above. If you have any questions about installations, please contact your AK field representative or an AK customer service technician.



ALWAYS READ ALL INSTRUCTIONS PRIOR TO INSTALLATION

- Check all local, state and federal codes to make certain your installations are compliant.
- Make certain to use proper venting techniques and check valves where required.
- Do not install pumps or basins in areas classified as hazardous by US NEC or Canadian CEC.
- Generally, sump/sewage basins should be located at the lowest place in the basement or outdoor area to be drained.
- Floor drains from other areas as well as inside and outside footer tiles may be connected to basins. However, make certain that the basin size is suitable for the water or waste loading you may need to increase basin size or install multiple basins/pumps.
- Always protect the basin, lid, pump and piping from areas where a danger of freezing exists!
- Backfill and underfill for basins should always be naturally rounded, free flowing stone or gravel aggregate with a particle size of not less than 1/8" and no greater than 3/4" diameter. Never use an angular material like limestone whose sharp edges could eventually pierce a basin.



COMMITMENT TO QUALITY

At AK Industries, Inc., our goal is to be recognized by our customers as leaders in quality rotational molded products. We pursue this goal by embodying the philosophy of customer service, commitment to continuous improvement of quality, and the consistent manufacturing

MANUFACTURER'S ONE (1) YEAR LIMITED WARRANTY

A. K. Industries, Inc. (A.K.), the manufacturer of this product, in accordance with designs and specifications contained in this brochure, as modified by any additions or changes expressly reflected on the A.K. invoice for the product purchased, warrants to the original Purchaser that such product (as defined below) will be free from defects in materials and workmanship for a period of one (1) year from the date of purchase as evidenced by purchaser's proof of purchase; provided, however, that, notwithstanding any other term or provision of this limited warranty, and in accordance with the terms and conditions of the Contract of Purchase entered into between A.K. and the Purchaser, the terms and conditions of which are hereby incorporated by reference as though fully set forth here verbatim, A.K. MAKES NO OTHER EXPRESSED OR IMPLIED WARRANTY, AND EXPRESSLY DISCLAIMS ANY IMPLIED WARRANTIES, RELATING TO THE PRODUCT'S DESIGN, INCLUDING ITS FITNESS FOR ANY PARTICULAR PURPOSE.

Purchaser shall mean the person for whom the product is originally manufactured. A.K. will repair or replace, in its sole discretion, any defects in materials or workmanship in the product, but specifically excluding any defects in the design or performance of any A.K. product for its particular or any other purpose, occurring in the one-year warranty period. A.K.'S LIABILITY UNDER THIS WARRANTY IS LIMITED TO THE VALUE OF THE PRODUCT, AND IT SHALL NOT BE LIABLE FOR ANY CONSEQUENTIAL DAMAGES, LABOR, MATERIAL, FREIGHT, OR OTHER EXPENSES REQUIRED IN REPLACING, CORRECTING, OR RE-INSTALLING THE PRODUCT. SUCH REPAIR OR REPLACEMENT SHALL BE THE ONLY REMEDY AVAILABLE TO THE PURCHASER UNDER THIS LIMITED WARRANTY.

This limited warranty gives you specific legal rights, and you may also have other rights which vary from state to state. THIS LIMITED WARRANTY IS MADE IN LIEU OF ANY OTHER EXPRESSED WARRANTIES. FURTHERMORE, A.K. DISCLAIMS ANY IMPLIED WARRANTIES ARISING IN CONNECTION WITH THE SALE OF THIS PRODUCT, INCLUDING ANY IMPLIED WARRANTIES OF MERCHANTABILITY OR FITNESS FOR A PARTICULAR PURPOSE. No employee, dealer, agent or other person is authorized to make any warranty or representation with respect to this product, other than is expressly contained herein. IN NO EVENT SHALL A.K. BE LIABLE FOR INCIDENTAL OR CONSEQUENTIAL DAMAGES RESULTING FROM THE USE OF THIS PRODUCT. SOME STATES DO NOT ALLOW THE EXCLUSION OR LIMITATION OF INCIDENTAL OR CONSEQUENTIAL DAMAGES, SO THE ABOVE LIMITATIONS MAY NOT APPLY TO YOU.

This limited warranty does not cover defects resulting from accidents, damage while in transit to our manufacturing location, alterations, unauthorized repair, failure to follow instructions, misuse, or acts of God.

Any claims arising under the foregoing must be reported to A.K. in writing within a period of one (1) year from the date of delivery of the product to the original Purchaser.

A.K. INDUSTRIES, INC. • P.O. BOX 640 • PLYMOUTH, IN 46563



PARTS GUIDE

AKP10000 ADAPTAFLX 0.375"
 AKP10010 ADAPTAFLX 0.50"
 AKP10020 ADAPTAFLX 0.75"
 AKP10030 ADAPTAFLX 1.00"
 AKP10035 ADAPTAFLX 1.25" FOR 2" HOLE
 AKP10040 ADAPTAFLX 1.25" FOR 3" HOLE
 AKP10050 ADAPTAFLX 1.5" FOR 2 1/2" HOLE
 AKP10060 ADAPTAFLX 1.5" FOR 3" HOLE
 AKP10070 ADAPTAFLX 2"
 AKP10080 ADAPTAFLX 3"
 AKP10081 GROMMET, PLUG 3" BLANK
 AKP10090 ADAPTAFLX 3X2
 AKP10100 ADAPTAFLX 4" SCH35
 AKP10110 ADAPTAFLX 4" SCH40
 AKP10111 ADAPTAFLX 4" SCH40 WITH RETAINING RING
 AKP10120 ADAPTAFLX 6" SCH35
 AKP10130 ADAPTAFLX 6" SCH40
 AKP10160 CAST IRON HUB 2"
 AKP10170 CAST IRON HUB 4" CURVED
 AKP10180 CAST IRON HUB 4" FLATBACK
 AKP10184 PVC HUB 3"
 AKP10185 PVC HUB 4"
 AKP10186 PVC COMBO HUB
 AKP10210 DISCHARGE FLANGE 1.25"
 AKP10220 DISCHARGE FLANGE 1.5"
 AKP10230 DISCHARGE FLANGE 2"
 AKP10240 DISCHARGE FLANGE 3"
 AKP10260 EXTENSION 18X12"
 AKP10270 EXTENSION 18X6"
 AKP20005 EXTENSION 24X12" RIB BASIN
 AKP10320 GSKT PACK 18" CVR 1.5 AFX3 BOLT DN
 AKP10330 GSKT PACK 18" CVR 1.5X1.5 AAF
 AKP10331 GSKT PACK 18" CVR 1.5X1.5 AAF W/ 3" BLANK PLUG
 AKP10340 GSKT PACK 18" CVR 1.5X1.5 BOLT DN
 AKP10350 GSKT PACK 18" CVR 1.5X2 AAF
 AKP10351 GSKT PACK 18" CVR 1.5X2 AAF W/ 3" BLANK PLUG
 AKP10360 GSKT PACK 18" CVR 1.5X2 BOLT DN
 AKP10370 GSKT PACK 18" CVR 1.5X3 AAF
 AKP10380 GSKT PACK 18" CVR 1.5X3 BOLT DN
 AKP10390 GSKT PACK 18" CVR 2X2/3 AAF
 AKP10400 GSKT PACK 18" CVR 2X2 AAF
 AKP10401 GSKT PACK 18" CVR 2X2 AAF W/ 3" BLANK PLUG
 AKP10405 GSKT PACK 18" 2X2 AAF STACKTEST
 AKP10410 GSKT PACK 18" CVR 2X2 BOLT DN
 AKP10420 GSKT PACK 18" CVR 2X3 AAF
 AKP10430 GSKT PACK 18" CVR 2X3 BOLT DN
 AKP10439 GSKT PACK 18" CVR 2/3X3 AAF
 AKP10440 GSKT PACK 18" CVR 3X3 AAF
 AKP10450 GSKT PACK 18" CVR 3X3 BOLT DN
 AKP10480 GSKT PACK 18" CVR RP1
 AKP10490 GSKT PACK 18" CVR SLOTTED
 AKP10500 GSKT PACK 18" CVR SOLID
 AKP20006 GSKT PACK 24X12 RIB BASIN EXTENSION
 AKP20255 GSKT PACK 36X12 RIB BASIN EXTENSION
 AKP10501 GSKT PACK 18" SV COVER 2" AAF
 AKP10506 GSKT PACK 18" EXT/ 4 BOLTS
 AKP10510 GSKT PACK 22" CVR 2 AAF
 AKP10520 GSKT PACK 22" CVR 3 AAF
 AKP10526 GSKT PACK 24" CVR 2X1.5 AAF
 AKP10530 GSKT PACK 24" CVR 2X2 AAF
 AKP10540 GSKT PACK 24" CVR 2X3 AAF
 AKP10555 GSKT PACK CAST IRON HUB 2" OR 4"
 AKP10570 JONES TIGHT 4"
 AKP10575 GSKT PACK SINKTRAY
 AKP10580 GSKT PACK PUMPJON

AKP10585 TRIPLE BAFFLE
 AKP10590 GSKT PACK WATERBOX 1.25"
 AKP10600 GSKT PACK WATERBOX 1.5"
 AKP10610 GROMMET WATERBOX 1.25"
 AKP10620 GROMMET WATERBOX 1.5"
 AKP10710 RP1 (CORD SEAL) 1 HOLE
 AKP10720 RP1 (CORD SEAL) 2 HOLE
 AKP10800 RTM FG FALSE BOTTOM FOR POLY RIBBED BASINS
 AKP10810 VENT FLANGE 2"
 AKP10820 VENT FLANGE 3"
 AKP10840 WATERBOX LID
 AKP12800 CONSEAL ROLL
 AKP36000 POLY PRO SERIES FEET PLATE
 AKP20000 18X24 CORRUGATED (AKP60140 FOR LID)
 AKP20010 BASIN RIB 24X48
 AKP20020-H BASIN RIB 24X60 HEAVY DUTY
 AKP20020 BASIN RIB 24X60
 AKP20030 BASIN RIB 24X72
 AKP20040 BASIN RIB 24X84
 AKP20250 EXT. 36X12 FOR 36 INCH RIBBED BASIN
 AKP20260 BASIN RIB 36X48 W/NO INSERTS IN BOTTOM
 AKP20270 BASIN RIB 36X48 W/INSERTS IN BOTTOM
 AKP30000 RTP 18X22
 AKP30020 RTP 18X22 (2) 4" CAST IRON HUB
 AKP30030 RTP 18X22 (2) INTRHUB
 AKP30050 RTP 18X22 (1) 4" CAST IRON HUB
 AKP30060 RTP 18X22 (1) INTRHUB
 AKP30070 RTP 18X30
 AKP30085 RTP 18X30 5" HOLE 9" DOWN
 AKP30115 RTP 18X30 FEET (1) 3" AAF
 AKP30120 RTP 18X30 FEET (1) 4" AAF
 AKP30125 RTP 18X30 FEET (1) 4" PVC ASSY.
 AKP30130 RTP 18X30 FEET (1) 4" CAST IRON HUB
 AKP30140 RTP 18X30 FEET (1) INTRHUB
 AKP30150 RTP 18X30 (2) 4" CAST IRON HUB
 AKP30160 RTP 18X30 (2) INTRHUB
 AKP30190 RTP 18X30 (1) INTRHUB
 AKP30200 RTP 24X24
 AKP30201 RTP 24X24 (1) 3" PVC INLET
 AKP30202 RTP 24X24 (1) 4" PVC INLET
 AKP30205 RTP 24X24 (1) 3" AAF
 AKP30210 RTP 24X24 (1) 4" AAF
 AKP30220 RTP 24X24 (1) 4" CAST IRON HUB
 AKP30225 RTP 24X24 (1) 3" SPINWELD
 AKP30230 RTP 24X30
 AKP30240 RTP 24X30 (1) 4" AAF
 AKP30250 RTP 24X30 (1) 4" CAST IRON HUB
 AKP30260 RTP 24X36
 AKP30265 RTP 24X36 (1) 3" AAF
 AKP30270 RTP 24X36 (1) 4" AAF
 AKP30280 RTP 24X36 (1) 4" CAST IRON HUB
 AKP30285 RTP 24X36 (1) 3" SPINWELD
 AKP30290 RTP 30X36
 AKP30300 RTP 30X36 (1) 4" AAF
 AKP30310 RTP 30X36 (1) 4" CAST IRON HUB
 AKP30320 RTP 36X36
 AKP30330 RTP 36X36 (1) 4" AAF
 AKP30340 RTP 36X36 (1) 4" CAST IRON HUB
 AKP34000 RADON SUMP ADAPTER
 AKP35000 BASIN 18X22
 AKP35005 BASIN 18X22 (2) 4" AAF (9" DOWN)
 AKP35010 BASIN 18X22 (2) 4" CAST IRON HUB
 AKP35014 BASIN 18X22 (1) 4" AAF (NO HOLE)
 AKP35015 BASIN 18X22 (1) 4" AAF (9" DOWN)
 AKP35020 BASIN 18X22 (1) 4" CAST IRON HUB
 AKP35025 BASIN 18X22 MULTI DRAIN HOLES
 AKP35030 BASIN 18X22 (1) 4" HOLE (10" DOWN)
 AKP35035 BASIN 18X22 (2) 4.5" HOLES 180 DEGREES (9" DOWN)
 AKP35040 BASIN 18X22 (1) 5" HOLE (10" DOWN)

AKP35045 BASIN 18X22 (1) 5" HOLE (7" DOWN)
 AKP35050 BASIN 18X22 (2) 5" HOLES (7" DOWN)
 AKP35055 BASIN 18X22 (2) 5" HOLES 90 DEGREES (10" DOWN)
 AKP35060 BASIN 18X22 (2) 2" AAF (9" DOWN)
 AKP35065 BASIN 18X22 (1) 2" AAF
 AKP35070 BASIN 18X22 (1) 4" HOLE W/3" AAF (9" DOWN)
 AKP35075 BASIN 18X22 (1) 3" AAF NO HOLE
 AKP35080 BASIN 18X22 (1) 4" PVC INLET
 AKP35085 BASIN 18X22 (2) 4" PVC INLET
 AKP35090 BASIN 18X22 (1) 4" PVC COMBO
 AKP35095 BASIN 18X22 (1) 3" PVC INLET
 AKP38000 BASIN 18X30
 AKP38005 BASIN 18X30 WITH FEET
 AKP38010 BASIN 18X30 WITH FEET (1) 3" AAF
 AKP38015 BASIN 18X30 WITH FEET (1) 4" AAF
 AKP38020 BASIN 18X30 WITH FEET (1) 4" CAST IRON HUB
 AKP38025 BASIN 18X30 WITH FEET (1) 4" PVC INLET
 AKP38030 BASIN 18X30 (2) 4" CAST IRON HUBS
 AKP38035 BASIN 18X30 (2) 4" PVC INLETS
 AKP38040 BASIN 18X30 (1) 4" AAF
 AKP38045 BASIN 18X30 (1) 4" CAST IRON HUB
 AKP38050 BASIN 18X30 (1) 4" PVC INLET
 AKP38055 BASIN 18X30 (1) 3" AAF
 AKP38060 BASIN 18X30 (1) 3" PVC INLET
 AKP38065 BASIN 18X30 (1) 4" AAF NO HOLE
 AKP38070 BASIN 18X30 (1) 4" PVC COMBO
 AKP40010 BASIN SVT 18X30 2" VENT
 AKP40040 BASIN SVT 18X30 2" VENT(1) 4" AAF
 AKP40050 BASIN SVT 18X30 2" VENT(1) 4" CAST IRON HUB
 AKP40060 BASIN SVT 18X30 2" VENT(1) INTRHUB
 AKP40070 BASIN SVT 18X30 3" VENT
 AKP40100 BASIN SVT 18X30 3" VENT (1) 4" AAF
 AKP40110 BASIN SVT 18X30 3" VENT (1) 4" CAST IRON HUB
 AKP40120 BASIN SVT 18X30 3" VENT (1) INTRHUB
 AKP40210 BASIN SVT 22X32 2" VENT (1) 4" AAF
 AKP40220 BASIN SVT 22X32 2" VENT (1) 4" CAST IRON HUB
 AKP40230 BASIN SVT 22X32 2" VENT (1) INTRHUB
 AKP40260 BASIN SVT 22X32 3" VENT (1) 4" AAF
 AKP40270 BASIN SVT 22X32 3" VENT (1) 4" CAST IRON HUB
 AKP40280 BASIN SVT 22X32 3" VENT (1) INTRHUB
 AKP50000 BASIN STD 14X24
 AKP50620 BASIN QUICKJON
 AKP50630 BASIN SINKTRAY
 AKP50650 BASIN TRIPLE GARAGE NORTH
 AKP50660 BASIN TRIPLE GARAGE SOUTH
 AKP50670 BASIN WATERBOX 1.5 INLX1.25 DIS.
 AKP50680 BASIN WATERBOX 1.5 INLX1.5 DIS.
 AKP50690 BASIN WATERBOX 1.5 INLX1.5&1.25 DIS.
 AKP50700 BASIN WATERBOX 2 INLX1.5 DIS.
 AKP60140 CORRUGATED BASIN COVER (18" SLOTTED)
 AKP60160 ROTOMOLDED COVER 24" 2X1.5 AAF
 AKP60170 ROTOMOLDED COVER 24" 2X2 AAF
 AKP60180 ROTOMOLDED COVER 24" 2X3 AAF
 AKP60190-H ROTOMOLDED COVER HEAVY DUTY 24" SOLID
 AKP60190 ROTOMOLDED COVER 24" SOLID
 AKP70000 STEEL SPLIT 18" 2X2 AAF
 AKP70001 STEEL SPLIT 18" 2X2 AAF W/ 3" BLANK PLUG
 AKP70010 STEEL SPLIT 18" 2X2 BOLT DN
 AKP70020 STEEL SPLIT 18" 2X3 AAF
 AKP70030 STEEL SPLIT 18" 2X3 BOLT DN
 AKP70040 STEEL SPLIT 18" 3X2 AAF
 AKP70050 STEEL SPLIT 18" 3X2 BOLT DN
 AKP70060 STEEL SPLIT 18" 3X3 AAF
 AKP70070 STEEL SPLIT 18" 3X3 BOLT DN
 AKP70120 STEEL 18" COVER (1) HOLE/BOLTS & RP1
 AKP70121 STEEL 18" COVER ONLY (1) HOLE
 AKP70122 STEEL 18" COVER/BOLTS (1) HOLE
 AKP70125 STEEL 18" 1.25X2 AAF
 AKP70126 STEEL 18" 1.25X2 AAF W/ 3" BLANK PLUG
 AKP70130 STEEL 18" 1.5X1.5 AAF
 AKP70131 STEEL 18" 1.5X1.5 AAF W/ 3" BLANK PLUG

AKP70140 STEEL 18" 1.5X1.5 BOLT DN
 AKP70142 STEEL 18" 1.5X3 AAF
 AKP70143 STEEL 18" 1.5X2 AAF
 AKP70144 STEEL 18" 1.5X2 AAF W/ 3" BLANK PLUG
 AKP70150 STEEL 18" 2X2 AAF
 AKP70151 STEEL 18" 2X2 AAF W/ 3" BLANK PLUG
 AKP70170 STEEL 18" 2X2 BOLT DN
 AKP70180 STEEL 18" 2X3 AAF
 AKP70190 STEEL 18" 2X3 BOLT DN
 AKP70200 STEEL 18" 3X2 AAF
 AKP70210 STEEL 18" 3X2 BOLT DN
 AKP70220 STEEL 18" 3X3 AAF
 AKP70230 STEEL 18" 3X3 BOLT DN
 AKP70300 STEEL 18" SOLID
 AKP70310 STEEL 22" 2" AAF
 AKP70320 STEEL 22" 3" AAF
 AKP70345 STEEL 24" 2X1.25 AAF
 AKP70350 STEEL 24" 1.5X1.5 AAF
 AKP70360 STEEL 24" 2X1.5 AAF
 AKP70370 STEEL 24" 2X2 AAF
 AKP70380 STEEL 24" 2X3 AAF
 AKP70400 STEEL 24" (1) HOLE
 AKP80000 SF 15" SLOTTED (FITS THE 14X24 BASIN)
 AKP80001 SF 15" SOLID (FITS THE 14X24 BASIN)
 AKP80008 SF 18" BOLTS (1) HOLE
 AKP80009 SF 18" (COVER ONLY) (1) HOLE
 AKP80010 SF 18" BOLTS & CORD PLUG (1) HOLE
 AKP80011 SF 18" 2" AAF SIDE VENT COVER
 AKP80013 SF 18" 3" AAF SIDE VENT COVER
 AKP80014 SF 18" 1.5 AAF SIDE VENT COVER
 AKP80020 SF 18" 1.5X1.5 AAF
 AKP80021 SF 18" 1.5X1.5 AAF W/ 3" BLANK PLUG
 AKP80030 SF 18" 1.5X1.5 BOLT DN
 AKP80040 SF 18" 1.5X2 AAF
 AKP80041 SF 18" 1.5X2 AAF W/ 3" BLANK PLUG
 AKP80050 SF 18" 1.5X2 BOLT DN
 AKP80060 SF 18" 1.5X3 AAF
 AKP80070 SF 18" 1.5X3 BOLT DN
 AKP80080 SF 18" 2X1.5 AAF
 AKP80081 SF 18" 2X1.5 AAF W/ 3" BLANK PLUG
 AKP80090 SF 18" 2X1.5 BOLT DN
 AKP80100 SF 18" 2X2 AAF
 AKP80101 SF 18" 2X2 AAF W/ 3" BLANK PLUG
 AKP80110 SF 18" 2X2 BOLT DN
 AKP80120 SF 18" 2X3 AAF
 AKP80130 SF 18" 2X3 BOLT DN
 AKP80140 SF 18" 1.5 AAF BOLT DN
 AKP80150 SF 18" 3X2 AAF
 AKP80160 SF 18" 3X2 BOLT DN
 AKP80240 SF 18" SLOTTED W/BOLTS
 AKP80241 SF 18" SLOTTED W/O BOLTS
 AKP80250 SF 18" SOLID
 AKP80251 SF 18" SOLID (NO GSKT PACK)
 AKP80300 SF 18" 1.5X1.5 AAF
 AKP80301 SF 18" 1.5X1.5 AAF W/ 3" PLUG
 AKP80302 SF 18" 1.5X1.5 BOLT DOWN
 AKP80303 SF 18" 1.5X2 AAF
 AKP80304 SF 18" 1.5X2 AAF W/ 3" PLUG
 AKP80305 SF 18" 1.5X2 BOLT DN
 AKP80306 SF 18" 1.5X3 BOLT DN
 AKP80307 SF 18" 2X1.5 AAF
 AKP80308 SF 18" 2X1.5 AAF
 AKP80309 SF 18" 2X1.5 BOLT DN
 AKP80310 SF 18" 2X2 AAF
 AKP80311 SF 18" 2X2 AAF W/ 3" PLUG
 AKP80312 SF 18" 2X2 AAF
 AKP80313 SF 18" 2" AAF X3 AAF
 AKP80314 SF 18" 1.5X1.5 AAF
 AKP80315 SF 18" 1.5X1.5 AAF
 AKP90000 SOLID 24" FIBERGLASS GREEN
 AKP90010 SOLID 30" FIBERGLASS GREEN
 AKP90020 SOLID 36" FIBERGLASS GREEN
 AKP90050 SOLID 24" TREADPLATE CO-POLYMER (ULTRA-STRONG) GREEN



NOTES & CONTACT

POSITION	CONTACT	PHONE	EMAIL
Sales Manager	James Conley	574-936-2542 ext 211	jamesc@akindustries.com
Sales Associate	Joann Rossi	574-936-2542 ext 232	joann@akindustries.com
Sales Associate/Approvals	Steve Davis	574-936-2542 ext 221	steved@akindustries.com
Sales Associate/Costing	Kurt Snearly	574-936-2542 ext 203	kurt@akindustries.com
Business Development	Pete Sabo	574-936-2542 ext 228	pete@akindustries.com

NOTES



THE BEST AROUND UNDERGROUND

1-800-370-3749
1-574-936-2542
FAX# 1-574-936-2298

AK INDUSTRIES
PO BOX 640
PLYMOUTH, IN
46563

WWW.AKINDUSTRIES.COM