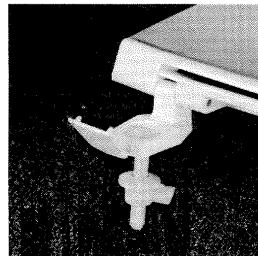
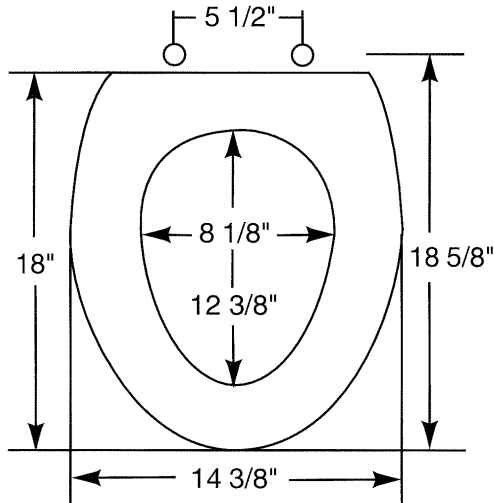
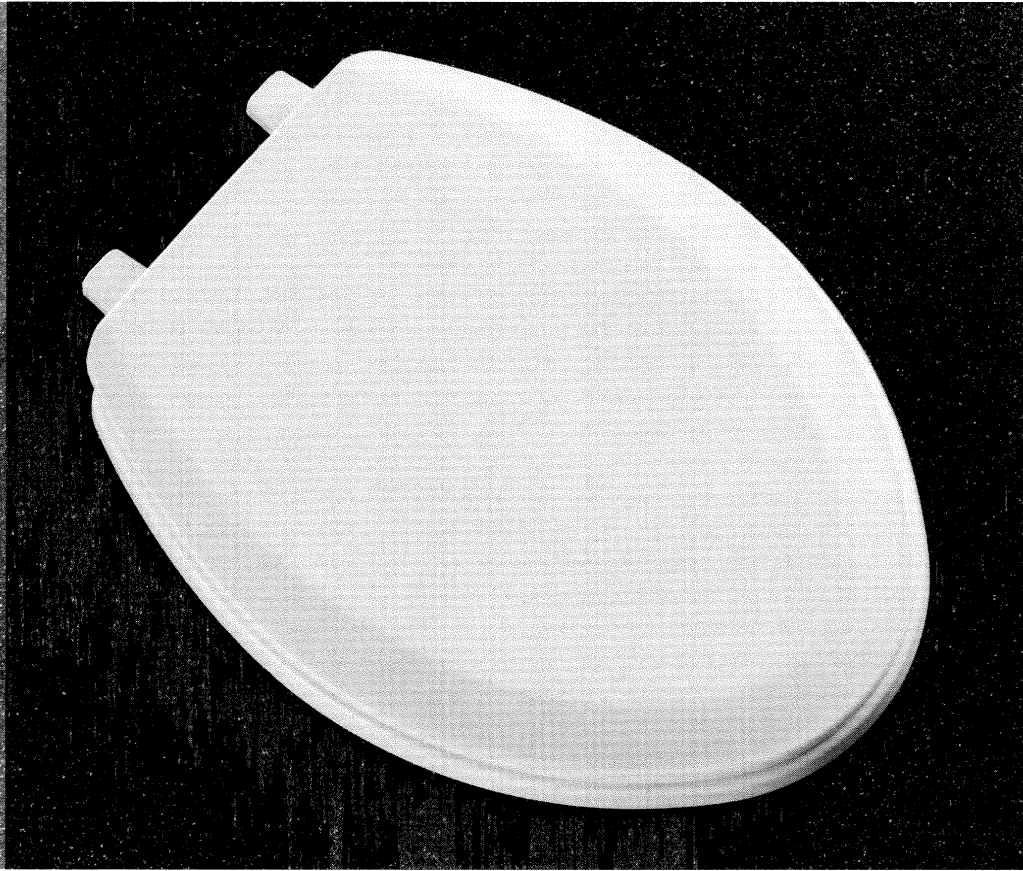




PLASTIC TOILET SEATS

Connor™ 1190

Seats shall be Connor™ 1190. Seats shall be closed front with cover for elongated bowl and feature large molded-in bumpers. Seats shall be injection molded of solid plastic. Durable color-matched Top-Tite® hinges contain metal pintles, non-corrosive top-tightening bolts, and wing nuts. Top-Tite® hinges designed to prevent wobbling. Color to be _____.



Top-Tightening Hinge