



101D BOTTOM CONNECTED 1-1/2" DIAL WITH 1/8" NPT CONNECTION

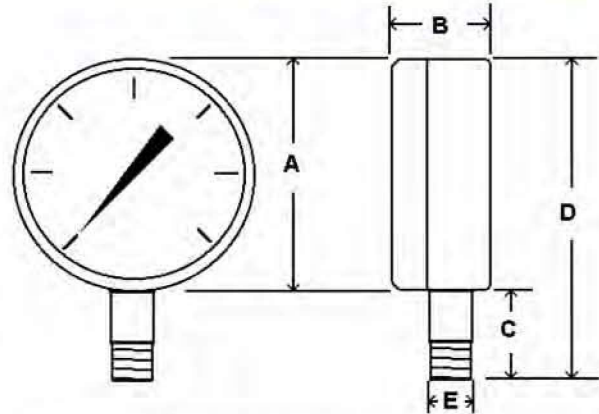
- An inexpensive utility gauge for the broad commercial and industrial markets.
- Suitable for air, water, oil, gas or any other media not corrosive to brass.
- Other connection locations, mounting styles and accessories available.
- Ready for immediate shipment upon request.

SPECIFICATIONS:

- **DIAL SIZE:** 1 1/2"
- **CONNECTION SIZE:** 1/8"NPT
- **Black Steel Case, Chrome Bezel**
- **Phosphour Bronze Bourdon Tube**
- **Brass Socket**
- **Polycarbonate Lens**
- **3-2-3 % Accuracy**
- **Dry Non-Fillable**
- **Ambient Temperature: -50 to 160°F**
- **Dual scale: PSI & Bar (x100=kpa) standard available**
- **Single scale: PSI only by special request**
- **Other:**



PART #	RANGE	CODE	Major Inc.	Minor Inc.
101D-158A	30/0"VAC	A	5" hg	.5" hg
101D-158B	0/15	B	2 PSI	.2 PSI
101D-158C	0/30	C	5 PSI	.5 PSI
101D-158D	0/60	D	10 PSI	1 PSI
101D-158E	0/100	E	20 PSI	2 PSI
101D-158F	0/160	F	20 PSI	2 PSI
101D-158G	0/200	G	40 PSI	5 PSI
101D-158H	0/300	H	50 PSI	5 PSI
101D-158I	0/400	I	50 PSI	5 PSI
101D-158K	0/600	K	100 PSI	10 PSI
101D-158M	0/1000	M	200 PSI	20 PSI
101D-158N	0/1500	N	200 PSI	20 PSI
101D-158O	0/2000	O	400 PSI	50 PSI
101D-158P	0/3000	P	500 PSI	50 PSI
101D-158R	0/5000	R	1000 PSI	100 PSI
101D-158S	0/6000	S	1000 PSI	100 PSI
101D-158U	0/10,000	U	2000 PSI	200 PSI



		A	B	C	D	E
1 1/2"	In.	1.64"	.93"	.63"	2.27"	1/8"
	MM	42	24	16	58	MNP



101D BOTTOM CONNECTED 2" DIAL WITH 1/8" NPT CONNECTION

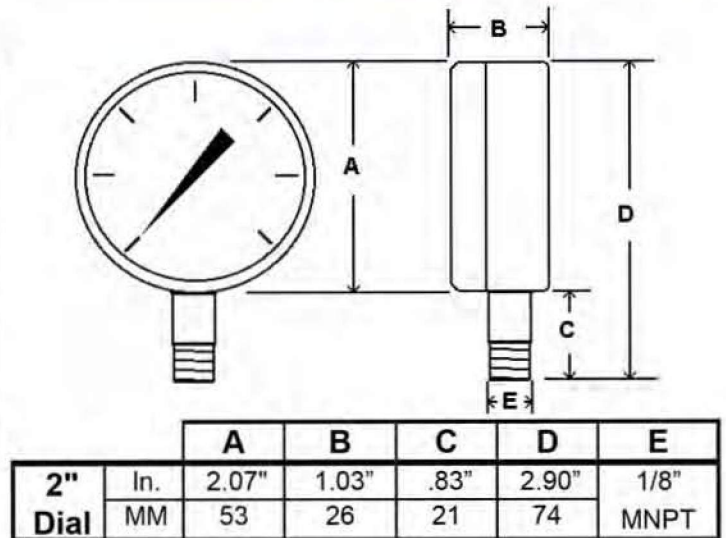
- An inexpensive utility gauge for the broad commercial and industrial markets.
- Suitable for air, water, oil, gas or any other media not corrosive to brass.
- Other connection locations, mounting styles and accessories available.
- Ready for immediate shipment upon request.

SPECIFICATIONS:

- DIAL SIZE: 2"
- CONNECTION SIZE: 1/8"NPT
- Black Steel Case, Chrome Bezel
- Phosphour Bronze Bourdon Tube
- Brass Socket
- Polycarbonate Lens
- 3-2-3 % Accuracy
- Dry Non-Fillable
- Ambient Temperature: -50 to 160°F
- Dual scale: PSI & Bar (x100=kpa) *standard available*
- Single scale: PSI only *available*
- Other: *by special request*



PART #	RANGE	CODE	Major Inc.	Minor Inc.
101D-208A	30/0"VAC	A	5" hg	.5" hg
101D-208B	0/15	B	2 PSI	.2 PSI
101D-208C	0/30	C	5 PSI	.5 PSI
101D-208D	0/60	D	10 PSI	1 PSI
101D-208E	0/100	E	20 PSI	2 PSI
101D-208F	0/160	F	20 PSI	2 PSI
101D-208G	0/200	G	40 PSI	5 PSI
101D-208H	0/300	H	50 PSI	5 PSI
101D-208I	0/400	I	50 PSI	5 PSI
101D-208K	0/600	K	100 PSI	10 PSI
101D-208M	0/1000	M	200 PSI	20 PSI
101D-208N	0/1500	N	200 PSI	20 PSI
101D-208O	0/2000	O	400 PSI	50 PSI
101D-208P	0/3000	P	500 PSI	50 PSI
101D-208R	0/5000	R	1000 PSI	100 PSI
101D-208S	0/6000	S	1000 PSI	100 PSI
101D-208U	0/10,000	U	2000 PSI	200 PSI





101D BOTTOM CONNECTED 2" DIAL WITH 1/4" NPT CONNECTION

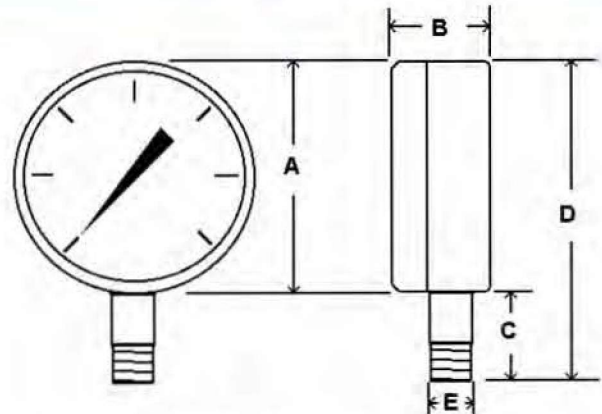
- An inexpensive utility gauge for the broad commercial and industrial markets.
- Suitable for air, water, oil, gas or any other media not corrosive to brass.
- Other connection locations, mounting styles and accessories available.
- Ready for immediate shipment upon request.

SPECIFICATIONS:

- **DIAL SIZE:** 2"
- **CONNECTION SIZE:** 1/4"NPT
- **Black Steel Case, Chrome Bezel**
- **Phosphour Bronze Bourdon Tube**
- **Brass Socket**
- **Polycarbonate Lens**
- **3-2-3 % Accuracy**
- **Dry Non-Fillable**
- **Ambient Temperature: -50 to 160°F**
- **Dual scale: PSI & Bar (x100=kpa) standard available**
- **Single scale: PSI only available**
- **Other: by special request**



PART #	RANGE	CODE	Major Inc.	Minor Inc.
101D-204A	30/0"VA	A	5" hg	.5" hg
101D-204B	0/15	B	2 PSI	.2 PSI
101D-204C	0/30	C	5 PSI	.5 PSI
101D-204D	0/60	D	10 PSI	1 PSI
101D-204E	0/100	E	20 PSI	2 PSI
101D-204F	0/160	F	20 PSI	2 PSI
101D-204G	0/200	G	40 PSI	5 PSI
101D-204H	0/300	H	50 PSI	5 PSI
101D-204I	0/400	I	50 PSI	5 PSI
101D-204K	0/600	K	100 PSI	10 PSI
101D-204M	0/1000	M	200 PSI	20 PSI
101D-204N	0/1500	N	200 PSI	20 PSI
101D-204O	0/2000	O	400 PSI	50 PSI
101D-204P	0/3000	P	500 PSI	50 PSI
101D-204R	0/5000	R	1000 PSI	100 PSI
101D-204S	0/6000	S	1000 PSI	100 PSI
101D-204U	0/10,000	U	2000 PSI	200 PSI



		A	B	C	D	E
2" Dial	In.	2.07"	1.03"	.83"	2.90"	1/4"
	MM	53	26	21	74	MNPT



101D BOTTOM CONNECTED 2-1/2" DIAL WITH 1/4" NPT CONNECTION

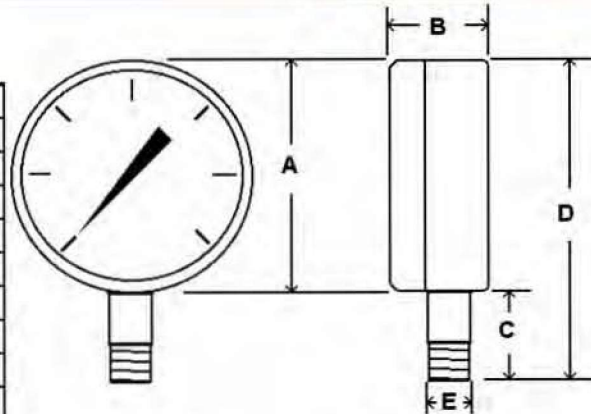
- An inexpensive utility gauge for the broad commercial and industrial markets.
- Suitable for air, water, oil, gas or any other media not corrosive to brass.
- Other connection locations, mounting styles and accessories available.
- Ready for immediate shipment upon request.

SPECIFICATIONS:

- **DIAL SIZE:** 2 1/2"
- **CONNECTION SIZE:** 1/4"NPT
- **Black Steel Case, Chrome Bezel**
- **Phosphour Bronze Bourdon Tube**
- **Brass Socket**
- **Polycarbonate Lens**
- **3-2-3 % Accuracy**
- **Dry Non-Fillable**
- **Ambient Temperature: -50 to 160°F**
- **Dual scale: PSI & Bar (x100=kpa) standard available**
- **Single scale: PSI only by special request**
- **Other: by special request**



PART #	RANGE	CODE	Major Inc.	Minor Inc.
101D-254A	30/0"VAC	A	5" hg	.5" hg
101D-254B	0/15	B	2 PSI	.2 PSI
101D-254C	0/30	C	5 PSI	.5 PSI
101D-254D	0/60	D	10 PSI	1 PSI
101D-254E	0/100	E	20 PSI	2 PSI
101D-254F	0/160	F	20 PSI	2 PSI
101D-254G	0/200	G	40 PSI	5 PSI
101D-254H	0/300	H	50 PSI	5 PSI
101D-254I	0/400	I	50 PSI	5 PSI
101D-254K	0/600	K	100 PSI	10 PSI
101D-254M	0/1000	M	200 PSI	20 PSI
101D-254N	0/1500	N	200 PSI	20 PSI
101D-254O	0/2000	O	400 PSI	50 PSI
101D-254P	0/3000	P	500 PSI	50 PSI
101D-254R	0/5000	R	1000 PSI	100 PSI
101D-254S	0/6000	S	1000 PSI	100 PSI
101D-254U	0/10,000	U	2000 PSI	200 PSI



		A	B	C	D	E
2 1/2"	In.	2.5"	1.17"	.86"	3.36"	1/4
	MM	63	30	22	26	MNPT



102D BACK CONNECTED 1-1/2" DIAL WITH 1/8" NPT CONNECTION

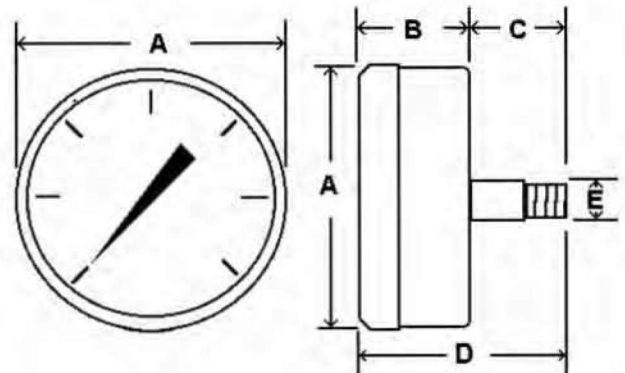
- An inexpensive utility gauge for the broad commercial and industrial markets.
- Suitable for air, water, oil, gas or any other media not corrosive to brass.
- Other connection locations, mounting styles and accessories available.
- Ready for immediate shipment upon request.

SPECIFICATIONS:

- **DIAL SIZE:** 1 1/2"
- **CONNECTION SIZE:** 1/8"NPT
- Black Steel Case, Chrome Bezel
- Phosphor Bronze Bourdon Tube
- Brass Socket
- Polycarbonate Lens
- 3-2-3 % Accuracy
- Dry Non-Fillable
- Ambient Temperature: -50 to 160°F
- Dual scale: PSI & Bar (x100=kpa) *standard*
- Single scale: PSI only *available*
- Other: *by special request*



PART #	RANGE	CODE	Major Inc.	Minor Inc.
102D-158A	30/0"VAC	A	5" hg	.5" hg
102D-158B	0/15	B	2 PSI	.2 PSI
102D-158C	0/30	C	5 PSI	.5 PSI
102D-158D	0/60	D	10 PSI	1 PSI
102D-158E	0/100	E	20 PSI	2 PSI
102D-158F	0/160	F	20 PSI	2 PSI
102D-158G	0/200	G	40 PSI	5 PSI
102D-158H	0/300	H	50 PSI	5 PSI
102D-158I	0/400	I	50 PSI	5 PSI
102D-158K	0/600	K	100 PSI	10 PSI
102D-158M	0/1000	M	200 PSI	20 PSI
102D-158N	0/1500	N	200 PSI	20 PSI
102D-158O	0/2000	O	400 PSI	50 PSI
102D-158P	0/3000	P	500 PSI	50 PSI
102D-158R	0/5000	R	1000 PSI	100 PSI
102D-158S	0/6000	S	1000 PSI	100 PSI
102D-158U	0/10,000	U	2000 PSI	200 PSI



		A	B	C	D	E
1 1/2" Dial	In.	1.64"	.93"	.63"	1.56"	1/8"
	MM	42	24	16	39	MNPT



102D BACK CONNECTED 2" DIAL WITH 1/8" NPT CONNECTION

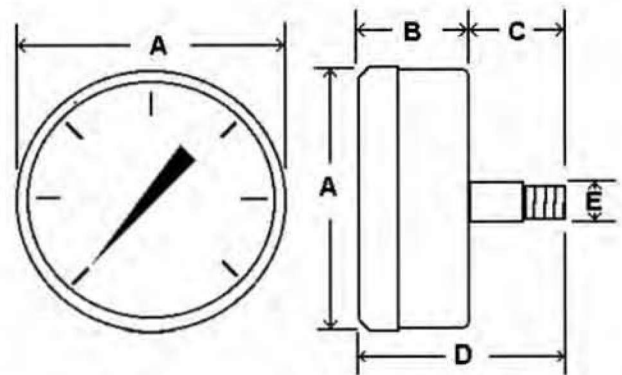
- An inexpensive utility gauge for the broad commercial and industrial markets.
- Suitable for air, water, oil, gas or any other media not corrosive to brass.
- Other connection locations, mounting styles and accessories available.
- Ready for immediate shipment upon request.

SPECIFICATIONS:

- DIAL SIZE: 2"
- CONNECTION SIZE: 1/8"NPT
- Black Steel Case, Chrome Bezel
- Phosphor Bronze Bourdon Tube
- Brass Socket
- Polycarbonate Lens
- 3-2-3 % Accuracy
- Dry Non-Fillable
- Ambient Temperature: -50 to 160°F
- Dual scale: PSI & Bar (x100=kpa) *standard*
- Single scale: PSI only *available*
- Other: *by special request*



PART #	RANGE	CODE	Major Inc.	Minor Inc.
102D-208A	30/0"VAC	A	5" hg	.5" hg
102D-208B	0/15	B	2 PSI	.2 PSI
102D-208C	0/30	C	5 PSI	.5 PSI
102D-208D	0/60	D	10 PSI	1 PSI
102D-208E	0/100	E	20 PSI	2 PSI
102D-208F	0/160	F	20 PSI	2 PSI
102D-208G	0/200	G	40 PSI	5 PSI
102D-208H	0/300	H	50 PSI	5 PSI
102D-208I	0/400	I	50 PSI	5 PSI
102D-208K	0/600	K	100 PSI	10 PSI
102D-208M	0/1000	M	200 PSI	20 PSI
102D-208N	0/1500	N	200 PSI	20 PSI
102D-208O	0/2000	O	400 PSI	50 PSI
102D-208P	0/3000	P	500 PSI	50 PSI
102D-208R	0/5000	R	1000 PSI	100 PSI
102D-208S	0/6000	S	1000 PSI	100 PSI
102D-208U	0/10,000	U	2000 PSI	200 PSI
102D-208B	0/15	B	2 PSI	.2 PSI
102D-208C	0/30	C	5 PSI	.5 PSI
102D-208D	0/60	D	10 PSI	1 PSI
102D-208E	0/100	E	20 PSI	2 PSI
102D-208F	0/160	F	20 PSI	2 PSI
102D-208G	0/200	G	40 PSI	5 PSI



		A	B	C	D	E
2" Dial	In.	2.07"	1.03"	.83"	1.86"	1/8 MNPT
	MM	53	26	21	47	



102D BACK CONNECTED 2" DIAL WITH 1/4" NPT CONNECTION

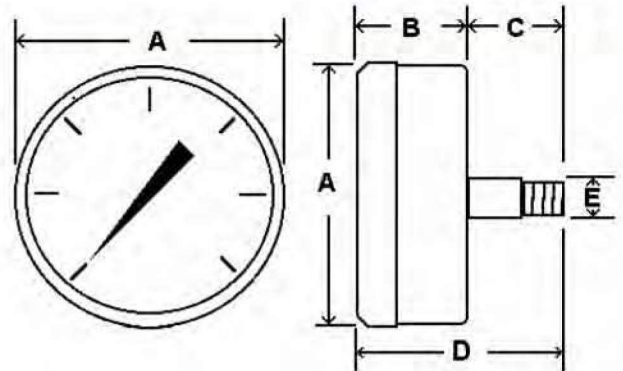
- An inexpensive utility gauge for the broad commercial and industrial markets.
- Suitable for air, water, oil, gas or any other media not corrosive to brass.
- Other connection locations, mounting styles and accessories available.
- Ready for immediate shipment upon request.

SPECIFICATIONS:

- DIAL SIZE: 2"
- CONNECTION SIZE: 1/4"NPT
- Black Steel Case, Chrome Bezel
- Phosphor Bronze Bourdon Tube
- Brass Socket
- Polycarbonate Lens
- 3-2-3 % Accuracy
- Dry Non-Fillable
- Ambient Temperature: -50 to 160°F
- Dual scale: PSI & Bar (x100=kpa) *standard*
- Single scale: PSI only *available*
- Other: *by special request*



PART #	RANGE	CODE	Major Inc.	Minor Inc.
102D-204A	30/0"VAC	A	5" hg	.5" hg
102D-204B	0/15	B	2 PSI	.2 PSI
102D-204C	0/30	C	5 PSI	.5 PSI
102D-204D	0/60	D	10 PSI	1 PSI
102D-204E	0/100	E	20 PSI	2 PSI
102D-204F	0/160	F	20 PSI	2 PSI
102D-204G	0/200	G	40 PSI	5 PSI
102D-204H	0/300	H	50 PSI	5 PSI
102D-204I	0/400	I	50 PSI	5 PSI
102D-204K	0/600	K	100 PSI	10 PSI
102D-204M	0/1000	M	200 PSI	20 PSI
102D-204N	0/1500	N	200 PSI	20 PSI
102D-204O	0/2000	O	400 PSI	50 PSI
102D-204P	0/3000	P	500 PSI	50 PSI
102D-204R	0/5000	R	1000 PSI	100 PSI
102D-204S	0/6000	S	1000 PSI	100 PSI
102D-204U	0/10,000	U	2000 PSI	200 PSI



		A	B	C	D	E
2" Dial	In.	2.07"	1.03"	.83"	1.86"	1/4 MNPT
	MM	53	26	21	47	



102D BACK CONNECTED 2-1/2" DIAL WITH 1/4" NPT CONNECTION

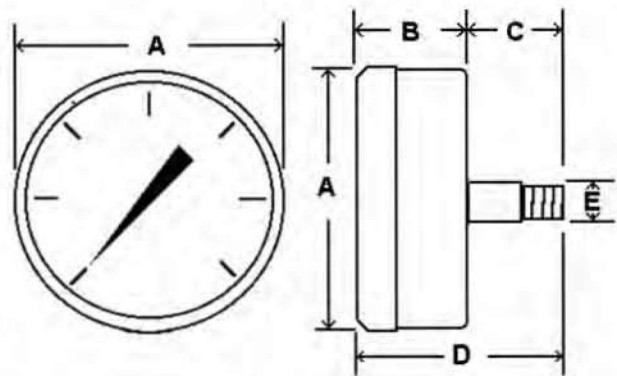
- An inexpensive utility gauge for the broad commercial and industrial markets.
- Suitable for air, water, oil, gas or any other media not corrosive to brass.
- Other connection locations, mounting styles and accessories available.
- Ready for immediate shipment upon request.

SPECIFICATIONS:

- DIAL SIZE: 2 1/2"
- AVAILABLE CONNECTION SIZES: 1/4"NPT
- Black Steel Case, Chrome Bezel
- Phosphor Bronze Bourdon Tube
- Brass Socket
- Polycarbonate Lens
- 3-2-3 % Accuracy
- Dry Non-Fillable
- Ambient Temperature: -50 to 160°F
- Dual scale: PSI & Bar (x100=kpa) *standard*
- Single scale: PSI only *available*
- Other: *by special request*



PART #	RANGE	CODE	Major Inc.	Minor Inc.
102D-254A	30/0"VA	A	5" hg	.5" hg
102D-254B	0/15	B	2 PSI	.2 PSI
102D-254C	0/30	C	5 PSI	.5 PSI
102D-254D	0/60	D	10 PSI	1 PSI
102D-254E	0/100	E	20 PSI	2 PSI
102D-254F	0/160	F	20 PSI	2 PSI
102D-254G	0/200	G	40 PSI	5 PSI
102D-254H	0/300	H	50 PSI	5 PSI
102D-254I	0/400	I	50 PSI	5 PSI
102D-254K	0/600	K	100 PSI	10 PSI
102D-254M	0/1000	M	200 PSI	20 PSI
102D-254N	0/1500	N	200 PSI	20 PSI
102D-254O	0/2000	O	400 PSI	50 PSI
102D-254P	0/3000	P	500 PSI	50 PSI
102D-254R	0/5000	R	1000 PSI	100 PSI
102D-254S	0/6000	S	1000 PSI	100 PSI
102D-254U	0/10,00	U	2000 PSI	200 PSI
102D-254B	0/15	B	2 PSI	.2 PSI
102D-254C	0/30	C	5 PSI	.5 PSI
102D-254D	0/60	D	10 PSI	1 PSI
102D-254E	0/100	E	20 PSI	2 PSI
102D-254F	0/160	F	20 PSI	2 PSI
102D-254G	0/200	G	40 PSI	5 PSI



		A	B	C	D	E
2 1/2" Dial	In.	2.50"	1.17"	.86"	2.03"	1/4 MNPT
	MM	63	30	22	52	



201L LIQUID FILLED BOTTOM CONNECTED 1-1/2" DIAL WITH 1/8" NPT CONNECTION

Our '200' series gauge line is a high quality line of liquid filled gauges. The glycerin filling helps dampen the effects of pulsation and vibration, while also perpetually lubricating the movement (and keeping contaminants such as dirt away from all moving parts) which will extend the life of the gauge.

This gauge has been specifically designed with original equipment manufacturers in mind and are typically used on hydraulic & pneumatic systems as well as any commercial or industrial application not corrosive to brass and bronze wetted parts where glycerin filling is suitable for use.

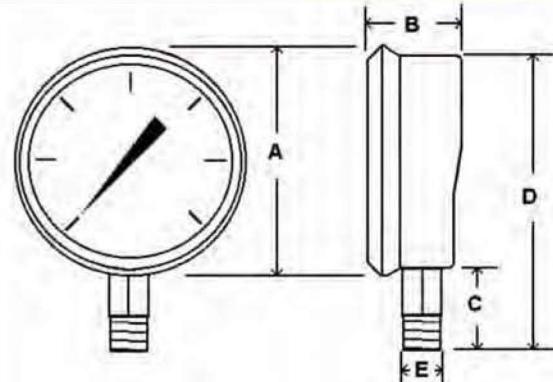
SPECIFICATIONS:

- **Dial Size:** 1 1/2"
- **Connection Size:** 1/8"MNPT
- **Stainless Steel Case And Bezel**
- **Brass Internals & Connection**
- **Phosphor Bronze Bourdon Tube**
- **Liquid Filled (Dry Available)**
- **Accuracy :** 1 1/2" Dial Size = 3-2-3 %
- **Dual Scale: PSI & Bar (x100=kPa)**
Single Scale available from stock
- **Ambient temperature:** FILLED: 30°F to 160°F
DRY: -30°F to 180°F



PART #	RANGE	CODE	Major In	Minor In
201L-158A	30/0"VAC	A	5	0.5
201L-158B	0/15	B	2	0.2
201L-158C	0/30	C	5	0.5
201L-158D	0/60	D	10	1
201L-158E	0/100	E	20	2
201L-158F	0/160	F	20	2
201L-158G	0/200	G	40	4
201L-158H	0/300	H	50	5
201L-158I	0/400	I	50	5
201L-158J	0/500	J	100	10
201L-158K	0/600	K	100	10
201L-158L	0/800	L	100	10
201L-158M	0/1000	M	200	20
201L-158N	0/1500	N	200	20
201L-158O	0/2000	O	400	50
201L-158P	0/3000	P	500	50
201L-158Q	0/4000	Q	500	50
201L-158R	0/5000	R	1000	100
201L-158S	0/6000	S	2000	200
201L-158U	0/10,000	U	2000	200
201L-158V	0/15,000	V	2000	200

Some ranges not available in all dial sizes, please call with your particular application



		A	B	C	D	E
1 1/2" Dial	In	1.88	1.06	.89	2.77	1/8"
	MM	48	27	23	58	NPT



201L LIQUID FILLED BOTTOM CONNECTED 2" DIAL WITH 1/8" NPT CONNECTION

Our '200' series gauge line is a high quality line of liquid filled gauges. The glycerin filling helps dampen the effects of pulsation and vibration, while also perpetually lubricating the movement (and keeping contaminants such as dirt away from all moving parts) which will extend the life of the gauge.

This gauge has been specifically designed with original equipment manufacturers in mind and are typically used on hydraulic & pneumatic systems as well as any commercial or industrial application not corrosive to brass and bronze wetted parts where glycerin filling is suitable for use.

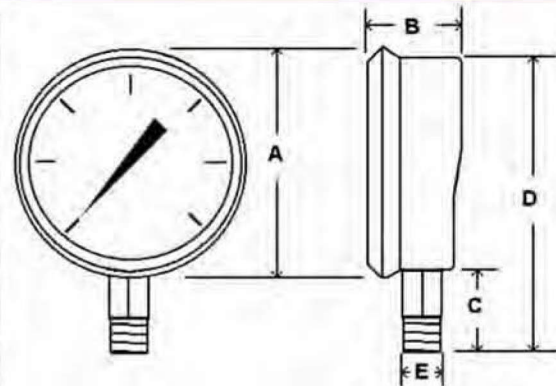
SPECIFICATIONS:

- **Dial Size:** 2"
- **Connection Size:** 1/8" MNPT
- **Stainless Steel Case And Bezel**
- **Brass Internals & Connection**
- **Phosphor Bronze Bourdon Tube**
- **Liquid Filled (Dry Available)**
- **Accuracy :** 2" Dial Size = 3-2-3 %
- **Dual Scale: PSI & Bar (x100=kPa)**
Single Scale available from stock
- **Ambient temperature:** FILLED: 30°F to 160°F
DRY: -30°F to 180°F



PART #	RANGE	CODE	Major In	Minor In
201L-208A	30/0"VAC	A	5	0.5
201L-208B	0/15	B	2	0.2
201L-208C	0/30	C	5	0.5
201L-208D	0/60	D	10	1
201L-208E	0/100	E	20	2
201L-208F	0/160	F	20	2
201L-208G	0/200	G	40	4
201L-208H	0/300	H	50	5
201L-208I	0/400	I	50	5
201L-208J	0/500	J	100	10
201L-208K	0/600	K	100	10
201L-208L	0/800	L	100	10
201L-208M	0/1000	M	200	20
201L-208N	0/1500	N	200	20
201L-208O	0/2000	O	400	50
201L-208P	0/3000	P	500	50
201L-208Q	0/4000	Q	500	50
201L-208R	0/5000	R	1000	100
201L-208S	0/6000	S	2000	200
201L-208U	0/10,000	U	2000	200
201L-208V	0/15,000	V	2000	200

Some ranges not available in all dial sizes, please call with your particular application



		A	B	C	D	E
2" Dial	In	2.24	1.27	.71	2.80	1/8"
	MM	57	32	23	71	NPT



201L LIQUID FILLED BOTTOM CONNECTED 2" DIAL WITH 1/4" NPT CONNECTION

Our '200' series gauge line is a high quality line of liquid filled gauges. The glycerin filling helps dampen the effects of pulsation and vibration, while also perpetually lubricating the movement (and keeping contaminants such as dirt away from all moving parts) which will extend the life of the gauge.

This gauge has been specifically designed with original equipment manufacturers in mind and are typically used on hydraulic & pneumatic systems as well as any commercial or industrial application not corrosive to brass and bronze wetted parts where glycerin filling is suitable for use.

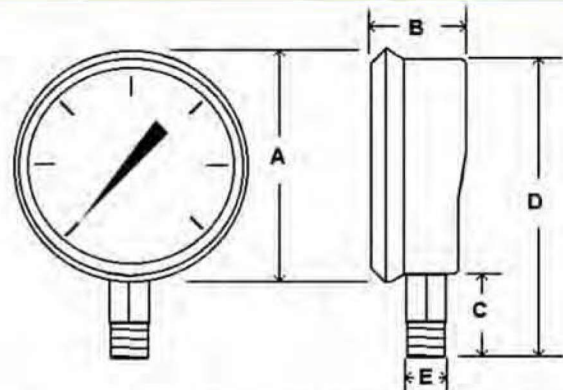
SPECIFICATIONS:

- **Dial Size:** 2"
- **Connection Size:** 1/4" MNPT
- **Stainless Steel Case And Bezel**
- **Brass Internals & Connection**
- **Phosphor Bronze Bourdon Tube**
- **Liquid Filled (Dry Available)**
- **Accuracy :** 2" Dial Size = 3-2-3 %
- **Dual Scale: PSI & Bar (x100=kPa)**
Single Scale available from stock
- **Ambient temperature:** FILLED: 30°F to 160°F
DRY: -30°F to 180°F



PART #	RANGE	CODE	Major In	Minor In
201L-204A	30/0"VAC	A	5	0.5
201L-204B	0/15	B	2	0.2
201L-204C	0/30	C	5	0.5
201L-204D	0/60	D	10	1
201L-204E	0/100	E	20	2
201L-204F	0/160	F	20	2
201L-204G	0/200	G	40	4
201L-204H	0/300	H	50	5
201L-204I	0/400	I	50	5
201L-204J	0/500	J	100	10
201L-204K	0/600	K	100	10
201L-204L	0/800	L	100	10
201L-204M	0/1000	M	200	20
201L-204N	0/1500	N	200	20
201L-204O	0/2000	O	400	50
201L-204P	0/3000	P	500	50
201L-204Q	0/4000	Q	500	50
201L-204R	0/5000	R	1000	100
201L-204S	0/6000	S	2000	200
201L-204U	0/10,000	U	2000	200
201L-204V	0/15,000	V	2000	200

Some ranges not available in all dial sizes, please call with your particular application



		A	B	C	D	E
2" Dial	In	2.24	1.27	.71	2.80	1/4"
	MM	57	32	23	71	NPT



201L LIQUID FILLED BOTTOM CONNECTED 2-1/2" DIAL WITH 1/4" NPT CONNECTION

Our '200' series gauge line is a high quality line of liquid filled gauges. The glycerin filling helps dampen the effects of pulsation and vibration, while also perpetually lubricating the movement (and keeping contaminants such as dirt away from all moving parts) which will extend the life of the gauge.

This gauge has been specifically designed with original equipment manufacturers in mind and are typically used on hydraulic & pneumatic systems as well as any commercial or industrial application not corrosive to brass and bronze wetted parts where glycerin filling is suitable for use.

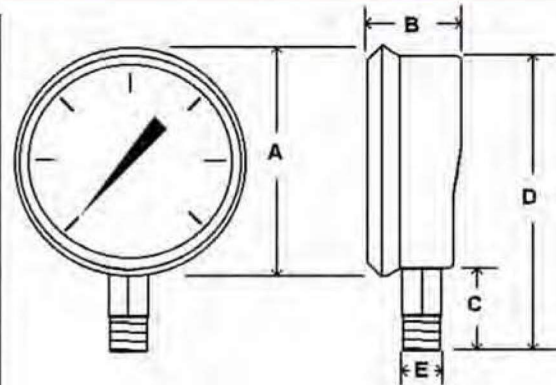
SPECIFICATIONS:

- **Dial Size:** 2 1/2"
- **Connection Size:** 1/4" MNPT
- **Stainless Steel Case And Bezel**
- **Brass Internals & Connection**
- **Phosphor Bronze Bourdon Tube**
- **Liquid Filled (Dry Available)**
- **Accuracy :** 2 1/2" Dial Size = 1.5 %
- **Dual Scale: PSI & Bar (x100=kPa)**
Single Scale available from stock
- **Ambient temperature:** FILLED: 30°F to 160°F
DRY: -30°F to 180°F



PART #	RANGE	CODE	Major In	Minor In
201L-254A	30/0"VAC	A	5	0.5
201L-254B	0/15	B	2	0.2
201L-254C	0/30	C	5	0.5
201L-254D	0/60	D	10	1
201L-254E	0/100	E	20	2
201L-254F	0/160	F	20	2
201L-254G	0/200	G	40	4
201L-254H	0/300	H	50	5
201L-254I	0/400	I	50	5
201L-254J	0/500	J	100	10
201L-254K	0/600	K	100	10
201L-254L	0/800	L	100	10
201L-254M	0/1000	M	200	20
201L-254N	0/1500	N	200	20
201L-254O	0/2000	O	400	50
201L-254P	0/3000	P	500	50
201L-254Q	0/4000	Q	500	50
201L-254R	0/5000	R	1000	100
201L-254S	0/6000	S	2000	200
201L-254U	0/10,000	U	2000	200
201L-254V	0/15,000	V	2000	200

Some ranges not available in all dial sizes, please call with your particular application



		A	B	C	D	E
2 1/2" Dial	In	2.80	1.28	1.07	3.55	1/4"
	MM	71	33	27	90	NPT



202L LIQUID FILLED BACK CONNECTED 1-1/2" DIAL WITH 1/8" NPT CONNECTION

Our '200' series gauge line is a high quality line of liquid filled gauges. The glycerin filling and built in snubber helps dampen the effects of pulsation and vibration, while also perpetually lubricating the movement (and keeping contaminants such as dirt away from all moving parts) which will extend the life of the gauge.

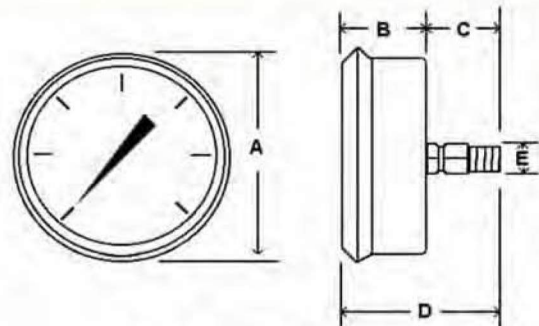
This gauge has been specifically designed with the original equipment manufacturers in mind and are typically used on hydraulic & pneumatic systems as well as any commercial or industrial application not corrosive to brass and bronze wetted parts where glycerin filling is suitable for use.

SPECIFICATIONS:

- **Dial Size:** 1 1/2"
- **Connection Size:** 1/8"MNPT (includes built-in snubber)
- **Stainless Steel Case And Bezel**
- **Brass Internals & Connection**
- **Phosphor Bronze Bourdon Tube**
- **Plastic Lens Standard (Glass Available)**
- **Liquid Filled (Dry Available)**
- **Accuracy :** 1 1/2" Dial = 3-2-3 %
- **Dual Scale: PSI & Bar (x100=kPa)**
Single Scale available from stock
- **Ambient temperature:** FILLED: 30°F to 160°F
DRY: -30°F to 180°F



PART #	RANGE	CODE	Major In	Minor In
202L-158A	30/0"VAC	A	5	0.5
202L-158B	0/15	B	2	0.2
202L-158C	0/30	C	5	0.5
202L-158D	0/60	D	10	1
202L-158E	0/100	E	20	2
202L-158F	0/160	F	20	2
202L-158G	0/200	G	40	5
202L-158H	0/300	H	50	5
202L-158I	0/400	I	50	5
202L-158K	0/600	K	100	10
202L-158M	0/1000	M	200	20
202L-158N	0/1500	N	200	20
202L-158O	0/2000	O	400	50
202L-158P	0/3000	P	500	50
202L-158R	0/5000	R	1000	100
202L-158U	0/10,000	U	1000	100
202L-158V	0/15,000	V	2000	200



		A	B	C	D	E
1 1/2" Dial	In	1.88	1.06	.89	1.95	1/8"
	MM	48	27	23	50	NPT



202L LIQUID FILLED BACK CONNECTED 2" DIAL WITH 1/8" NPT CONNECTION

Our '200' series gauge line is a high quality line of liquid filled gauges. The glycerin filling and built in snubber helps dampen the effects of pulsation and vibration, while also perpetually lubricating the movement (and keeping contaminants such as dirt away from all moving parts) which will extend the life of the gauge.

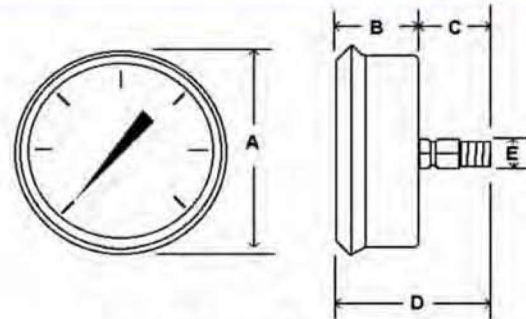
This gauge has been specifically designed with the original equipment manufacturers in mind and are typically used on hydraulic & pneumatic systems as well as any commercial or industrial application not corrosive to brass and bronze wetted parts where glycerin filling is suitable for use.

SPECIFICATIONS:

- Dial Size: 2"
- Connection Size: 1/8"MNPT (includes built-in snubber)
- Stainless Steel Case And Bezel
- Brass Internals & Connection
- Phosphor Bronze Bourdon Tube
- Plastic Lens Standard (Glass Available)
- Liquid Filled (Dry Available)
- Accuracy : 2" Dial Size= 3-2-3 %
- Dual Scale: PSI & Bar (x100=kPa)
Single Scale available from stock
- Ambient temperature: FILLED: 30°F to 160°F
DRY: -30°F to 180°F



PART #	RANGE	CODE	Major In	Minor In
202L-208A	30/0"VAC	A	5	0.5
202L-208B	0/15	B	2	0.2
202L-208C	0/30	C	5	0.5
202L-208D	0/60	D	10	1
202L-208E	0/100	E	20	2
202L-208F	0/160	F	20	2
202L-208G	0/200	G	40	5
202L-208H	0/300	H	50	5
202L-208I	0/400	I	50	5
202L-208K	0/600	K	100	10
202L-208M	0/1000	M	200	20
202L-208N	0/1500	N	200	20
202L-208O	0/2000	O	400	50
202L-208P	0/3000	P	500	50
202L-208R	0/5000	R	1000	100
202L-208U	0/10,000	U	1000	100
202L-208V	0/15,000	V	2000	200



		A	B	C	D	E
2" Dial	In	2.23	1.09	.71	1.99	1/8"
	MM	57	28	23	51	NPT



202L LIQUID FILLED BACK CONNECTED 2-1/2" DIAL WITH 1/4" NPT CONNECTION

Our '200' series gauge line is a high quality line of liquid filled gauges. The glycerin filling and built in snubber helps dampen the effects of pulsation and vibration, while also perpetually lubricating the movement (and keeping contaminants such as dirt away from all moving parts) which will extend the life of the gauge.

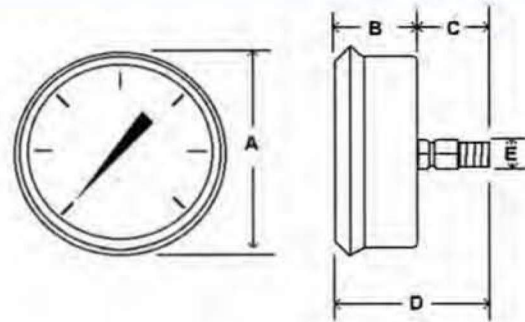
This gauge has been specifically designed with the original equipment manufacturers in mind and are typically used on hydraulic & pneumatic systems as well as any commercial or industrial application not corrosive to brass and bronze wetted parts where glycerin filling is suitable for use.

SPECIFICATIONS:

- **Dial Size:** 2 1/2"
- **Connection Size:** 1/4"MNPT (includes built-in snubber)
- **Stainless Steel Case And Bezel**
- **Brass Internals & Connection**
- **Phosphor Bronze Bourdon Tube**
- **Plastic Lens Standard (Glass Available)**
- **Liquid Filled (Dry Available)**
- **Accuracy :** 2 1/2" Dial Size = 1.5 %
- **Dual Scale: PSI & Bar (x100=kPa)**
Single Scale available from stock
- **Ambient temperature:** FILLED: 30°F to 160°F
DRY: -30°F to 180°F



PART #	RANGE	CODE	Major In	Minor In
202L-254A	30/0"VAC	A	5	0.5
202L-254B	0/15	B	2	0.2
202L-254C	0/30	C	5	0.5
202L-254D	0/60	D	10	1
202L-254E	0/100	E	20	2
202L-254F	0/160	F	20	2
202L-254G	0/200	G	40	5
202L-254H	0/300	H	50	5
202L-254I	0/400	I	50	5
202L-254K	0/600	K	100	10
202L-254M	0/1000	M	200	20
202L-254N	0/1500	N	200	20
202L-254O	0/2000	O	400	50
202L-254P	0/3000	P	500	50
202L-254R	0/5000	R	1000	100
202L-254U	0/10,000	U	1000	100
202L-254V	0/15,000	V	2000	200



		A	B	C	D	E
2 1/2" Dial	In	2.80	1.28	1.18	2.46	1/4"
	MM	71	33	30	63	NPT