



Wholesale Catalog



**Engineered
Craftsmanship**

Since 1960

www.eccomfg.com



**Engineered
Craftsmanship**
Since 1960

Dear Valued Customer,

Thank you for choosing ECCO™ as your supplier of quality sheet metal products.

Established in 1960, ECCO's success has been realized by a persistent adherence to providing ultimate customer satisfaction through efficient service, quality product, and market innovation. We invest heavily in factors that are critical to providing the best customer service in the industry: equipment and resource technology, new product innovations, and most importantly, our people.

We have nearly eleven acres under roof dedicated to manufacturing and distributing quality ECCO™ products. Our commitment to inventory ensures that our customers have the product *when they need it*. Our proficiency in production enables us to be *leaders in product quality and innovation*. Our in-house machining and engineering expertise allows us to design and build equipment for our specific needs as well as *the needs of our customers*. And our commitment to developing our people ensures that your experience with our Company is professional, enjoyable, and efficient.

These combined efforts and our pursuit of excellence is focused at building a strong partnership with you – our customer.

A handwritten signature in black ink, appearing to read "Shaine Nobert", with a horizontal line extending to the right.

Shaine Nobert
Vice President & General Manager

Langley Distribution

19860 Fraser Highway
Langley, British Columbia, Canada V3A 4C9

Phone: 604-530-4151
Toll Free: 1-877-955-4805
Fax: 604-533-9335

Calgary Distribution

21 – 11150 38th Street, S.E.
Calgary, Alberta, Canada T2C 2Z6

Phone: 403-720-0895
Toll Free: 1-877-955-4815
Fax: 403-720-0897

Kent Distribution

20001 87th Ave. S, Bldg E
Kent, Washington, USA 98031

Phone: 253-872-3721
Toll Free: 1-800-207-6859
Fax: 253-872-3724



TABLE OF CONTENTS

CONVERSION CHARTS

COMPANY INFORMATION

A GALVANIZED DUCT, PIPE, FITTINGS AND ELBOWS

- A1 GALVANIZED DUCT AND ACCESSORIES
- A2 BASE CANS, PLENUMS, FILTER FRAMES AND BASES
- A3 GALVANIZED PIPE AND ACCESSORIES
- A4 FITTINGS
- A5 ELBOWS
- A6 LOUVERS AND DAMPERS

B VENTING

- B1 MODEL E/R B-VENT CHIMNEY TYPE B GAS VENT 3" – 8"
- B2 MODEL E/V B-VENT CHIMNEY TYPE B GAS VENT 10" – 30"
- B3 ECCO POLYPROPYLENE VENT™ SINGLE WALL RIGID / FLEXIBLE VENTING
- B4 ECCO SPECIAL GAS VENT

C ALUMINUM AND STAINLESS PRODUCTS

- C1 ALUMINUM PRODUCTS
- C2 CHIMNEY LINERS, 2-PLY FLEX

D SPIRAL PIPE AND FITTINGS

- D1 SPIRAL PIPE AND FITTINGS

E FLAT OVAL DUCT AND FITTINGS

- E1 FLAT OVAL DUCT AND FITTINGS

F ECCODUCT™

- F1 ECCODUCT™ IN-SLAB DUCT VENTILATION SYSTEM

G BUILDING PRODUCTS

- G1 BUILDING PRODUCTS

H DISTRIBUTED PRODUCTS

- H1 DUCTMATE
- H2 IMPERIAL BOFLEX
- H3 IMPERIAL MATTE BLACK STOVE PIPE
- H4 PRIMEX RESIDENTIAL REGISTERS, GRILLES AND DIFFUSERS
- H5 PRIMEX VENTING PRODUCTS AND ACCESSORIES
- H6 SHOEMAKER REGISTERS AND GRILLES
- H7 THERMO MANUFACTURING
- H8 HVAC RELATED PRODUCTS

CONVERSION CHARTS



ECCO™ is proud to be a member of:



SMACNA
Sheet Metal and Air
Conditioning Contractors'
National Association
www.smacna.org



HRAI
Heating, Refrigeration and
Air Conditioning
Institute of Canada
www.hrai.ca



HARDI
Heating, Air-conditioning
& Refrigeration
Distributors International
www.hardinet.org



ADI
Air
Distribution
Institute
www.steelduct.org



AD
Affiliated Distributors™
www.adhq.com



CME
Canadian
Manufacturers &
Exporters
www.cme-mec.ca



SPIDA
Spiral Duct
Manufacturers
Association
www.spida.org



INDEX

BASIC EQUATIONS (AIR DISTRIBUTION)..... 5
 TEMPERATURE 5
 COMMON FRACTIONS CONVERTED TO DECIMALS 10
 FACTORS CONVERSION CHART 4
 GALVANIZED STEEL SHEET GAUGE NUMBERS — UNIT WEIGHTS AND THICKNESS..... 6
 ISO METRIC AND UNIFIED SCREW THREAD DESIGNATIONS 8
 METRIC CONVERSION CHART 3
 ROUND DUCT AREA AND CIRCUMFERENCE 11
 TORQUE WRENCH CHART BOLTS 7
 WEIGHT CHARTS
 ALUMINUM 9
 GALVANIZED STEEL 9
 STAINLESS STEEL — 300 SERIES 9

– E.&O.E. – Subject to Change Without Notice – May Not Be Available At All Locations –



METRIC CONVERSION CHART

MILLIMETRES (SI)	DECIMAL INCHES (USCS)	INCH FRACTION (USCS)	MILLIMETRES (SI)	DECIMAL INCHES (USCS)	INCH FRACTION (USCS)	MILLIMETRES (SI)	DECIMAL INCHES (USCS)	INCH FRACTION (USCS)
0.100	.0039	-	6.500	.2559	-	15.875	.6250	5/8
0.200	.0079	-	6.747	.2656	17/64	16.000	.6299	-
0.300	.0118	-	7.000	.2756	-	16.272	.6406	41/64
0.397	.0156	1/64	7.144	.2813	9/32	16.669	.6563	21/32
0.400	.0157	-	7.500	.2953	-	17.000	.6693	-
0.500	.0197	-	7.541	.2969	19/64	17.066	.6719	43/64
0.600	.0236	-	7.938	.3125	5/16	17.463	.6875	11/16
0.700	.0276	-	8.000	.3150	-	17.859	.7031	45/64
0.794	.0313	1/32	8.334	.3281	21/64	18.000	.7087	-
0.800	.0315	-	8.500	.3346	-	18.256	.7188	23/32
0.900	.0354	-	8.731	.3438	11/32	18.653	.7344	47/64
1.000	.0394	-	9.000	.3543	-	19.000	.7480	-
1.191	.0469	3/64	9.128	.3594	23/64	19.050	.7500	3/4
1.500	.0591	-	9.500	.3740	-	19.447	.7656	49/64
1.588	.0625	1/16	9.525	.3750	3/8	19.844	.7813	25/32
1.984	.0781	5/64	9.922	.3906	25/64	20.000	.7874	-
2.000	.0787	-	10.000	.3937	-	20.241	.7969	51/64
2.381	.0938	3/32	10.319	.4063	13/32	20.638	.8125	13/16
2.500	.0984	-	10.716	.4219	27/64	21.000	.8268	-
2.778	.1094	7/64	11.000	.4331	-	21.034	.8281	53/64
3.000	.1181	-	11.113	.4375	7/16	21.431	.8438	27/32
3.175	.1250	1/8	11.509	.4531	29/64	21.828	.8594	55/64
3.500	.1378	-	11.906	.4688	15/32	22.000	.866	-
3.572	.1406	9/64	12.000	.4724	-	22.225	.8750	7/8
3.969	.1563	5/32	12.303	.4844	31/64	22.622	.8906	57/64
4.000	.1575	-	12.700	.5000	1/2	23.000	.9055	-
4.366	.1719	11/64	13.000	.5118	-	23.019	.9063	29/32
4.500	.1772	-	13.097	.5156	33/64	23.416	.9219	59/64
4.763	.1875	3/16	13.494	.5313	17/32	23.813	.9375	15/16
5.000	.1969	-	13.891	.5469	35/64	24.000	.9449	-
5.159	.2031	13/64	14.000	.5512	-	24.209	.9531	61/64
5.500	.2165	-	14.288	.5625	9/16	25.000	.9843	-
5.556	.2188	7/32	14.684	.5781	37/64	25.003	.9844	63/64
5.953	.2344	15/64	15.000	.5906	-	25.400	1.000	1
6.000	.2362	-	15.081	.5938	19/32			
6.350	.2500	1/4	15.478	.6094	39/64			

- E.&O.E. - Subject to Change Without Notice - May Not Be Available At All Locations -

FACTORS CONVERSION CHART

MEASUREMENT	TO CONVERT FROM	TO		MULTIPLY BY
1) Length	inches	millimetres	mm	25.4
	inches	metre	m	0.0254
	feet	metres	m	0.3048
2) Area	square inches	square millimetre	mm ²	645.16
	square inches	square centimetres	cm ²	6.4516
	square inches	square metres	m ²	0.000 645 16
	square feet	square metres	m ²	0.092 903 04
3) Volume – Air Flow	std. cubic feet per minute	cubic metres per sec.	m ³ /s	0.000 471 947
	std. cubic feet per minute	cubic metres per hour	m ³ /h	1.699
	std. cubic feet per minute	litres per second	l/s	0.471 947
				Under 1m ³ /s, use l/s
4) Volume – Liquid & Liquid Flow	gallon (CDN.)	litre	l	4.546 090
	gallon (U.S.)	litre	l	3.785 412
	gallon per minute (CDN.)	litre per second	l/s	0.075 768
	gallon per minute (U.S.)	litre per second	l/s	0.063 09
	gallons per hour (CDN.)	litre per second	l/s	0.001 263
	gallons per hour (U.S.)	litre per second	l/s	0.001 051
5) Velocity	feet per second	metre per second	m/s	0.3048
	feet per minute	metre per second	m/s	0.005 080
6) Pressure	inch of water (60°F)	pascal (20°C)	Pa	248.84
	foot of water (39.2°F)	pascal (20°C)	Pa	2 988.98
	inch of mercury (60°F)	pascal	Pa	3 376.85
	lb. force per square inch (psi)	pascal	Pa	6 894.757
	lb. force per square foot	pascal	Pa	48.880 26
7) Energy	B.T.U.	joule	J	1055.056
8) Power	Horsepower	watt	W	746
		kilowatt	KW	0.746
9) Temperature (next page)	Rankin	kelvin	K	5/9
	Fahrenheit	Celsius, Centigrade	C	(F-32) (5/9)
10) Heat Flow Rate	B.T.U. per hour	watt	W	0.293 071
		kilowatt	KW	0.000 293 071
11) Rotational Frequency	revolutions per minute	revolutions per minute	r/min	1.0
		revolutions per second	r/s	0.0167

– E.&O.E. – Subject to Change Without Notice – May Not Be Available At All Locations –

1. BASIC EQUATIONS

The following basic equations apply to air distribution with regard to flow rate, air heat transfer, liquid heat transfer.

(A) AIR FLOW

$$(1) Q = V \times A \quad \text{where} \quad \begin{array}{l} Q = \text{flow rate, m}^3/\text{s (cfm)} \\ V = \text{velocity, m/s (fpm)} \\ A = \text{area, m}^2(\text{ft}^2) \end{array}$$

(B) HEAT TRANSFER FOR AIR

$$(2) q = Q \times p \times csp \times Dt \quad \text{where} \quad \begin{array}{l} q = \text{heat transfer rate, = Watts (BTU/hr)} \\ Q = \text{flow rate, m}^3/\text{s (ft}^3/\text{hr)} \\ p = \text{density kg/m}^3 \text{ (lbs/ft}^3\text{)} \\ csp = \text{specific heat J/kg}^\circ\text{C (BTU/lb}^\circ\text{F)} \\ Dt = \text{temp. diff. }^\circ\text{C (}^\circ\text{F)} \end{array}$$

For Imperial Units this equation simplifies to:

$$(3) q = 1.08 \times \text{cfm} \times Dt$$

(C) HEAT TRANSFER FOR WATER

$$(4) q = Q \times csp \times Dt \quad \text{where} \quad \begin{array}{l} q = \text{heat transfer rate, = Watts (BTU/hr)} \\ Q = \text{flow rate, kg/sec (lbs/hr)} \\ csp = \text{specific heat J/kg}^\circ\text{C (BTU/lb}^\circ\text{F)} \\ Dt = \text{temp. diff. }^\circ\text{C (}^\circ\text{F)} \end{array}$$

For Imperial Units with U.S. gpm, this equation simplifies to:

$$(5) \text{ BTU/hr} = \text{gpm} \times 500 \times Dt$$

NOTE: In Si units, in equations (2) & (4), a unit analysis shows that the heat transfer rate simplifies to Joules per sec., and by definition, 1 Joule per sec. = 1 watt.

2. TEMPERATURE

1. To convert from degree Fahrenheit to degree Celsius, subtract 32 and divide by 1.8.
2. To convert from degree Celsius to degree Fahrenheit, multiply by 1.8 and add 32.
3. To convert from degree Fahrenheit to kelvin, add 459.67 and divide by 1.8.
4. To convert from kelvin to degree Fahrenheit, multiply by 1.8 and subtract 459.67.
5. To convert from degree Celsius to Kelvin, add 273.15.
6. To convert from kelvin to degree Celsius, subtract 273.15.
7. To convert from degree Rankin to Kelvin, divide by 1.8.



CONVERSION CHARTS

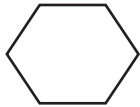
GALVANIZED STEEL SHEET GAUGE NUMBERS — UNIT WEIGHTS AND THICKNESS

GALVANIZED GAUGE NO.	OUNCES PER FOOT	POUNDS PER SQUARE FOOT	POUNDS PER SQUARE INCH	THICKNESS EQUIVALENT FOR GALVANIZED GAUGE NO.	
				IN INCHES	IN MILLIMETERS
8	112.5	7.03125	0.048828	0.1681	4.270
9	102.5	6.40625	0.044488	0.1532	3.891
10	92.5	5.78125	0.040148	0.1382	3.510
11	82.5	5.15625	0.035807	0.1233	3.132
12	72.5	4.53125	0.031467	0.1084	2.753
13	62.5	3.90625	0.027127	0.0934	2.753
14	52.5	3.28125	0.022786	0.0785	1.994
15	47.5	2.96875	0.020616	0.0710	1.803
16	42.5	2.65625	0.018446	0.0635	1.613
17	38.5	2.40625	0.016710	0.0575	1.461
18	34.5	2.15625	0.014974	0.0516	1.311
19	30.5	1.90625	0.013238	0.0456	1.158
20	26.5	1.65625	0.011502	0.0396	1.006
21	24.5	1.53125	0.010634	0.0366	0.9296
22	22.5	1.40625	0.0097656	0.0336	0.8534
23	20.5	1.28125	0.0088976	0.0306	0.7772
24	18.5	1.15625	0.0080295	0.0276	0.7010
25	16.5	1.03125	0.0071615	0.0247	0.6274
26	14.5	0.90625	0.0062934	0.0217	0.5512
27	13.5	0.84375	0.0058594	0.0202	0.5131
28	12.5	0.78125	0.0054253	0.0187	0.4750
29	11.5	0.71875	0.0049913	0.0172	0.4369
30	10.5	0.65625	0.0045573	0.0157	0.3988
31	9.5	0.59375	0.0041233	0.0142	0.3607
32	9.0	0.56250	0.0039062	0.0134	0.3404

– E.&O.E. – Subject to Change Without Notice – May Not Be Available At All Locations –

TORQUE WRENCH CHART BOLTS

Grade Marking



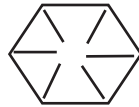
0-1-2



5



6



8



SUPER

BOLT DIAMETER (")	THREAD PITCH	FOOT POUNDS				SUPER
		0-1-2	5	6	8	
1/4	20	5.5	9.7	11.0	11.5	13.0
	28	6.0	11.0	12.0	13.0	15.0
5/16	18	10.0	18.0	20.0	21.0	24.0
	24	11.4	20.0	23.0	24.0	27.5
3/8	16	21.7	39.0	43.0	45.0	52.0
	24	24.5	44.0	49.0	51.0	59.0
7/16	14	32.4	58.0	65.0	67.0	78.0
	20	38.4	69.0	77.0	80.0	92.0
1/2	13	43.5	87.0	97.0	102.0	116.0
	20	54.6	103.0	115.0	121.0	138.0
9/16	12	57.5	111.0	123.0	129.0	147.0
	18	68.0	131.0	146.0	153.0	175.0
5/8	11	86.0	173.0	192.0	201.0	230.0
	18	102.0	200.0	224.0	235.0	269.0
3/4	10	152.0	290.0	324.0	336.0	389.0
	18	182.0	345.0	384.0	403.0	461.0
7/8	9	222.0	500.0	555.0	583.0	666.0
	14	261.0	585.0	653.0	685.0	784.0
1	8	307.0	690.0	769.0	807.0	923.0
	14	370.0	830.0	925.0	967.0	1111.0

NOTE: Specifications contained in this chart are correct to the best of our knowledge. Refer to the exact specifications as given by original equipment manufacturer.



ISO METRIC AND UNIFIED SCREW THREAD DESIGNATIONS

Unified screw threads are designated by nominal size and number of threads per inch. As an example, 3/4 – 10 UNC is a standard Unified screw thread having a nominal size of 3/4 inches and 10 threads per inch. To convert a Unified screw thread designation to an ISO Metric screw thread designation multiply nominal size by 25.4 and multiply the reciprocal of threads per inch by 25.4 to determine basic diameter in millimeters and pitch in millimeters. By doing so, 3/4 – 10 UNC converted to ISO Metric becomes M 19.05 × 25.4.

ISO Metric screw threads are designated by basic diameter and thread pitch. As an example, M 8 × 1 is a standard ISO Metric screw thread having a basic diameter of 8 millimeters and a thread pitch of 1 millimeter. To convert an ISO Metric screw thread designation to a Unified (American) designation divide the basic diameter by 25.4 and multiply the reciprocal of the pitch by 25.4 to determine nominal size in inches and threads per inch. By doing so, M 8 × 1 becomes 0.315-25.4 UNS.

Standard Unified Thread Series (Adapted from ANS B1.1-1960)

Present Unified Thread Nominal Size — Diameter

DECIMAL SIZE	NUMBER OR FRACTIONAL SIZE	METRIC
0.060	0	1.52
0.073	1	1.85
0.086	2	2.18
0.099	3	2.51
0.112	4	2.84
0.125	5	3.17
0.138	6	3.50
0.164	8	4.16
0.190	10	4.83
0.216	12	5.49
0.250	1/4	6.35
0.3125	5/16	7.94
0.375	3/8	9.52
0.4375	7/16	11.11
0.500	1/2	12.70
0.5625	9/16	14.29
0.625	5/8	15.87
0.6875	11/16	17.46
0.750	3/4	19.05
0.8125	13/16	20.64
0.875	7/8	22.22
0.9375	15/16	23.81
1.000	1	25.40
1.0625	1-11/16	26.99
1.125	1-1/8	28.57
1.1875	1-3/16	30.16

DECIMAL SIZE	NUMBER OR FRACTIONAL SIZE	METRIC
1.250	1-1/4	31.75
1.3125	1-5/16	33.34
1.375	1-3/8	34.92
1.4375	1-7/16	36.51
1.500	1-1/2	38.10
1.5625	1-9/16	39.69
1.625	1-5/8	41.27
1.6875	1-11/16	42.86
1.750	1-3/4	44.45
2.000	2	50.80
2.250	2-1/4	57.15
2.500	2-1/2	63.50
2.750	2-3/4	69.85
3.000	3	76.20
3.250	3-1/4	82.55
3.500	3-1/2	88.90
3.750	3-3/4	95.25
4.000	4	101.60

NOTE: The values listed as metric equivalents of decimal inch values have been given to assist user in selecting the closest metric size to be found in the table, Metric Screw Threads. Adherence to diameter preference is recommended, if feasible.

– E.&O.E. – Subject to Change Without Notice – May Not Be Available At All Locations –



GALVANIZED STEEL WEIGHT CHART

GAUGE	NOMINAL THICKNESS (")	WEIGHT LBS./SQ.FT.
33	.0090	.376
32	.0134	.563
30	.0157	.656
28	.0187	.781
26	.0217	.906
24	.0276	1.156
22	.0336	1.406
20	.0396	1.656
18	.0516	2.156
16	.0635	2.656

NOTE: Galvanized – Galvanized Gauge No.

ALUMINUM WEIGHT CHART

GAUGE	NOMINAL THICKNESS (")	WEIGHT LBS./SQ.FT.
33	N/A	N/A
32	N/A	N/A
30	N/A	N/A
28	N/A	N/A
26	.016	.228
24	.020	.285
22	.025	.356
20	.032	.456
18	.040	.570
16	.050	.713

NOTE: Aluminum – American Gauge and Brown & Sharpe

STAINLESS STEEL WEIGHT CHART — 300 SERIES

GAUGE	NOMINAL THICKNESS (")	WEIGHT LBS./SQ.FT.
33	N/A	N/A
32	N/A	N/A
30	N/A	N/A
28	.0156	.656
26	.0188	.788
24	.0250	1.050
22	.0313	1.313
20	.0375	1.575
18	.0500	2.100
16	.0625	2.625

NOTE: Steel – U.S. Standard (Revised)

– E.&O.E. – Subject to Change Without Notice – May Not Be Available At All Locations –



COMMON FRACTIONS CONVERTED TO DECIMALS

8THS	16THS	32NDS	64THS	DECIMAL
			1	.015625
		1	2	.03125
			3	.046875
	1	2	4	.0625
			5	.078125
		3	6	.09375
			7	.109375
1	2	4	8	.125
			9	.140625
		5	10	.15625
			11	.171875
	3	6	12	.1875
			13	.203125
		7	14	.21875
			15	.234375
2	4	8	16	.25
			17	.265625
		9	18	.28125
			19	.296875
	5	10	20	.3125
			21	.328125
		11	22	.34375
			23	.359375
3	6	12	24	.375
			25	.390625
		13	26	.40625
			27	.421875
	7	14	28	.4375
			29	.453125
		15	30	.46875
			31	.484375
4	8	16	32	.5

8THS	16THS	32NDS	64THS	DECIMAL
			33	.515625
		17	34	.53125
			35	.546875
	9	18	36	.5625
			37	.578125
		19	38	.59375
			39	.609375
5	10	20	40	.625
			41	.640625
		21	42	.65625
			43	.671875
	11	22	44	.6875
			45	.703125
		23	46	.71875
			47	.734375
6	12	24	48	.75
			49	.765625
		25	50	.78125
			51	.796875
	13	26	52	.8125
			53	.828125
		27	54	.84375
			55	.859375
7	14	28	56	.875
			57	.890625
		29	58	.90625
			59	.921875
	15	30	60	.9375
			61	.953125
		31	62	.96875
			63	.984375
8	16	32	64	1.0

- E.&O.E. - Subject to Change Without Notice - May Not Be Available At All Locations -



ROUND DUCT AREA AND CIRCUMFERENCE

DIAMETER IN INCHES	AREA SQ. FT.	CIRCUMFERENCE INCHES
1	.00545	3.142
2	.0218	6.283
3	.0491	9.425
4	.0873	12.57
5	.1364	15.71
6	.1963	18.85
7	.2673	21.99
8	.3491	25.13
9	.4418	28.27
10	.5454	31.42
11	.6600	34.56
12	.7854	37.70
13	.9218	40.84
14	1.069	43.98
15	1.227	47.12
16	1.396	50.27
17	1.576	53.41
18	1.767	56.55
19	1.969	59.69
20	2.182	62.83
21	2.405	65.97
22	2.640	69.12
23	2.885	72.26
24	3.142	75.40
25	3.409	78.54

DIAMETER IN INCHES	AREA SQ. FT.	CIRCUMFERENCE INCHES
26	3.687	81.68
27	3.967	84.82
28	4.276	87.96
29	4.587	91.11
30	4.909	94.25
31	5.241	97.39
32	5.585	100.5
33	5.940	103.7
34	6.305	106.8
35	6.681	110.0
36	7.069	113.1
37	7.467	116.2
38	7.876	119.4
39	8.296	122.5
40	8.727	125.7
41	9.168	128.8
42	9.621	131.9
43	10.08	135.1
44	10.56	138.2
45	11.04	141.4
46	11.54	144.5
47	12.05	147.7
48	12.57	150.8
49	13.09	153.9
50	13.64	157.1

- E.&O.E. - Subject to Change Without Notice - May Not Be Available At All Locations -



www.eccomfg.com

Langley Distribution

19860 Fraser Highway
Langley, British Columbia
Canada V3A 4C9

Phone: 604-530-4151
Toll Free: 1-877-955-4805
Fax: 604-533-9335

Calgary Distribution

21 – 11150 38th Street, S.E.
Calgary, Alberta
Canada T2C 2Z6

Phone: 403-720-0895
Toll Free: 1-877-955-4815
Fax: 403-720-0897

Kent Distribution

20001 87th Ave. S, Bldg E
Kent, Washington
USA 98031

Phone: 253-872-3721
Toll Free: 1-800-207-6859
Fax: 253-872-3724



POLICIES AND PROCEDURES

- **Returned Product** must be authorized by the Distribution Manager and returned with the following information:
 - The RGA # assigned by ECCO Manufacturing™ must be on the return debit memo.
 - Copy of the confirmation from ECCO Manufacturing™ attached to the debit memo.
 - Provide original invoice number for product being returned.
- **20% Restocking Charge** will apply to all goods returned for credit. Broken cartons will have a **25%** restocking charge. All products must be in re-sellable condition which will be at ECCO's discretion for acceptance.
- **Freight** must be prepaid on all returned goods.
- **Non-Returnable Products include ALL custom sheet metal and ALL special order resale products.**
- **All Custom Manufactured Commercial Products are:**
 - Manufactured to **SMACNA** standards unless otherwise specified on the Purchase Order at the time of ordering.
 - Non-returns and Cancellations made during production will be invoiced for material and labor costs incurred up to the time of cancellation.
- **Notification of Discrepancies** such as short shipments or overages on all shipments from **ECCO Manufacturing™** **must be made within two (2) days from receipt of shipment.**

The following explains the procedure:

- 1) The receiver writes the information directly on the Packing Slip in the space provided, ie.: short shipped / over shipped and received by signature.
- 2) Packing Slip is then faxed to the ECCO Manufacturing™ location directly responsible for your shipping order.
 - Langley Fax # 604-530-1133
 - Calgary Fax # 403-720-0897
 - Kent Fax # 253-872-3721
- 3) ECCO™ will provide an RGA # and request a debit # to cross reference.
- 4) If customer agrees the order can either be put back into the system using the original purchase order # or cancelled and then it will be at the customer's discretion to re-order.
- 5) If we are unable to supply the original product requested, we will advise you of the product options available and pricing.



12/12

(cont'd on next page)

– E.&O.E. – Subject to Change Without Notice –



POLICIES AND PROCEDURES *(cont'd)*

- **Notification of Damaged or Defective** products on all shipments from **ECCO Manufacturing™** must be reported as soon as possible from receipt of shipment.
 - 1) Provide pictures of damaged product prior to unloading. This will also assist us in determining the changes to implement in order to reduce incorrect loading issues as they occur.
 - 2) Report damaged or defective products directly to your factory contact.
- **Collect shipments, damaged or lost claims must be made by the consignee directly to the carrier.**

DUNNAGE

PALLETS, SKIDS, PLYWOOD AND 4 × 4's

Pallets, Skids, Metal Racks, Plywood, and 4 × 4's will be charged and credited when returned to the appropriate Distribution Center, whichever is the most cost effective. Credit for skids will be given only on skids marked with the ECCO™ stamp and sizes invoiced.

DUNNAGE – PROCEDURES FOR RETURNING

- **Returned Dunnage** – must be pre authorized by an ECCO Manufacturing™ Customer Service Representative. You will be assigned an RGA # upon approval of return.
- **RGA #** – The number assigned must be clearly written on your debit memo for credit purposes.
- **Fax or email** a copy of the debit memo and or a list of the dunnage items being returned.
- **ECCO™ Customer Service Representative** – will let you know which freight line will be used and the date goods can be returned.
- **All freight** is to be sent collect to ECCO Manufacturing™.
- **Do Not Return** damaged pallets, skids, plywood or 4 × 4's. **A credit will not be issued for damaged returned items.**
- **Pipe Racks** – Complete units must be returned or no credit will be issued. Complete unit consists of:
1 – Base, 4 – Posts, 2 – Support Bars.
- **Any distributor returning** pallets, skids, metal pipe racks, plywood, or 4 × 4's for credit must issue a debit memo to ECCO Manufacturing™ the day the pallets are returned. ECCO Manufacturing™ will issue a credit memo when the returned items are received at our Distribution Centers.



12/12

– E.&O.E. – Subject to Change Without Notice –



FACTORY REPRESENTATIVES

CANADA

- Western Canadian Territory
19700 Landmark Way
Langley, BC, Canada
V3A 7Z5
Telephone Number: 604-530-2748
Facsimile Number: 604-530-3749
Email: sales@ecomfg.com

USA

- United States Territory Manager, **Scott Winter**
20001 87th Ave. S, Building E
Kent, WA, USA
98031
Telephone Number: 253-872-3721
Facsimile Number: 253-872-3724
Cellular Number: 206-735-5552
Email: swinter@ecomfg.com
- United States Territory Manager, **Aaron McCarty**
20001 87th Ave. S, Building E
Kent, WA, USA
98031
Telephone Number: 253-872-3721
Facsimile Number: 253-872-3724
Cellular Number: 503-430-9304
Email: amccarty@ecomfg.com

DISTRIBUTION CENTRES AND CONTACTS

LANGLEY

- ECCO Manufacturing™
19860 Fraser Highway
Langley, BC, Canada
V3A 4C9
– Distribution Manager, **Ken Nolan**
Telephone Number: 604-530-4151
Distribution Facsimile Number: 604-530-1133
General Office Facsimile: 604-530-9335
Email: ken@ecomfg.com

CALGARY

- ECCO Manufacturing™
#21 – 11150 38th Street, S.E.
Calgary, AB, Canada
T2C 2Z6
– Distribution Manager, **Ted Thurston**
Telephone Number: 403-720-0895
Facsimile Number: 403-720-0897
Email: tthurston@ecomfg.com

USA

- ECCO Manufacturing™
20001 87th Ave., S Building E
Kent, WA, USA
98031
– Operations Manager, **Sterling Hicks**
Telephone Number: 253-872-3721
Facsimile Number: 253-872-3724
Toll Free: 1-800-207-6859
Email: shicks@ecomfg.com



EDUCATIONAL AND PROMOTIONAL AIDS

- **Literature**

- All Products Brochure
- Dynamic Air Diffuser Brochure
- ECCO Polypropylene Vent™
- ECCO Spiral Elbow™
- ECCO Special Gas Vent
- ECCODUCT™
- Filter Bases
- Flat Oval Spiral Duct and Fittings
- OEM Capabilities
- Post Tensioning
- Round Spiral Duct and Fittings
- Solutions for Moving Air
- Technical Product Catalogs
- Type B Gas Venting

- **Posters/Displays**

- Product Overview Poster
- Residential Duct Layout Poster
- Residential Roof Flashings
- Type B Gas Vent Poster

- **Product Training**

Let ECCO Manufacturing's technically trained professionals provide product knowledge training to your employees in a formalized classroom setting.

- **ECCO™ Personnel**

Need information? ECCO's personnel will supply you with the product and knowledge needed to serve your customer whenever possible.

- **Customer Appreciation Days**

ECCO™ will participate in promoting ECCO Manufacturing™ products on behalf of our distributors.

- **New Product Introduction**

ECCO™ will assist in setting up programs to help you effectively launch new products in your area.

– E.&O.E. – Subject to Change Without Notice –

GALVANIZED DUCT

and ACCESSORIES



ECCO™ is proud to be a member of:



SMACNA
Sheet Metal and Air
Conditioning Contractors'
National Association
www.smacna.org



HRAI
Heating, Refrigeration and
Air Conditioning
Institute of Canada
www.hrai.ca



HARDI
Heating, Air-conditioning
& Refrigeration
Distributors International
www.hardinet.org



ADI
Air
Distribution
Institute
www.steelduct.org



AD
Affiliated Distributors™
www.adhq.com



CME
Canadian
Manufacturers &
Exporters
www.cme-mec.ca



SPIDA
Spiral Duct
Manufacturers
Association
www.spida.org



GALVANIZED DUCT AND ACCESSORIES

INDEX

COLLARS — DUCT TAP-IN	A1-19	ELBOWS — WALL STACK	
DRIVE CLEATS		LONG WAY	
DRIVE.....	A1-20	45° — 2 × 2 THROAT	A1-11
S-CLEATS.....	A1-20	90°.....	A1-10
STANDING S-CLEATS.....	A1-21	SHORT WAY	
DUCT		45°.....	A1-11
BUTTON LOCK — 26 GAUGE	A1-4 – A1-5	90°.....	A1-11
BUTTON LOCK — 28 GAUGE	A1-4	FIRE DAMPER ANGLES.....	A1-21
BUTTON LOCK — 30 GAUGE	A1-3	JOIST LINERS	
CLEAT FOLD — 26 GAUGE.....	A1-5 – A1-6	GALVANIZED (.010).....	A1-22
CLEAT FOLD — 28 GAUGE.....	A1-5	GALVANIZED (.013).....	A1-22
DROP — 26 GAUGE.....	A1-7	PIPE SUPPORTS.....	A1-22
RECTANGULAR — UNASSEMBLED		RETURN AIR	
WEIGHT CHART.....	A1-8 – A1-9	DROP KIT.....	A1-7
WEIGHT CHART INSTRUCTIONS	A1-8	ELBOWS — 26 GAUGE.....	A1-7
DUCT END CAPS.....	A1-12	FRAME.....	A1-22
DUCT HANGER STRAP	A1-22	SHOES	A1-6
DUCT HANGERS.....	A1-21	WALL STACK — 30 GAUGE.....	A1-10
DUCT REDUCERS (UNASSEMBLED)	A1-13	WALL STACK END CAPS	A1-10
DUCT REDUCING PANELS	A1-13		
ELBOWS — DUCT			
LONG WAY			
45°.....	A1-13		
45° — 2 × 2 THROAT (ASSEMBLED).....	A1-15		
45° — 2 × 2 THROAT (UNASSEMBLED)	A1-15		
90°.....	A1-14		
90° — 2 × 2 THROAT (ASSEMBLED).....	A1-17		
90° — 2 × 2 THROAT (UNASSEMBLED)	A1-17		
SHORT WAY			
45°.....	A1-14		
45° — 2 × 2 THROAT (ASSEMBLED).....	A1-16		
45° — 2 × 2 THROAT (UNASSEMBLED)	A1-16		
90°.....	A1-14		
90° — 2 × 2 THROAT (ASSEMBLED).....	A1-18		
90° — 2 × 2 THROAT (UNASSEMBLED)	A1-18		

LEGEND

NOTE: The boxed columns throughout the tables are intended to provide a quick determination of ordering dimensions.

ABBREVIATIONS:

- CTN/QTY = Carton Quantity
- WT/100 = Weight per 100 Pieces
- WT/100 FT = Weight per 100 Feet
- WT/EA = Weight Each
- FT/BNDL = Feet per Bundle
- PCS/BNDL = Pieces per Bundle
- LGTH/BNDL = Length per Bundle

BUTTON LOCK DUCT — 30 GAUGE

4"

ITEM #	SIZE (")	LENGTH/FT	A (")	B (")	C (")	FT/BNDL	WT/100 FT
105630	16 × 4	12	16	4	120	60	226

6"

ITEM #	SIZE (")	LENGTH/FT	A (")	B (")	C (")	FT/BNDL	WT/100 FT
029130	14 × 6	8	14	6	96	80	226
029430	20 × 6	8	20	6	96	80	290
039130	14 × 6	5	14	6	60	50	226

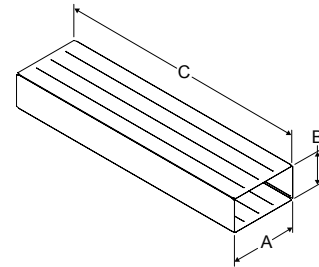
7"

ITEM #	SIZE (")	LENGTH/FT	A (")	B (")	C (")	FT/BNDL	WT/100 FT
030230	10 × 7	8	10	7	96	160	195
030430	14 × 7	8	14	7	96	160	237
040430	14 × 7	5	14	7	60	50	237



8"

ITEM #	SIZE (")	LENGTH/FT	A (")	B (")	C (")	FT/BNDL	WT/100 FT
040830	8 × 8	5	8	8	60	50	185
030830	8 × 8	8	8	8	96	160	185
040930	10 × 8	5	10	8	60	50	206
030930	10 × 8	8	10	8	96	160	206
041030	12 × 8	5	12	8	60	50	226
031030	12 × 8	8	12	8	96	160	226
041130	14 × 8	5	14	8	60	50	247
031130	14 × 8	8	14	8	96	160	247



10"

ITEM #	SIZE (")	LENGTH/FT	A (")	B (")	C (")	FT/BNDL	WT/100 FT
041230	10 × 10	5	10	10	60	50	226
041830	12 × 10	5	12	10	60	50	247
031830	12 × 10	8	12	10	96	160	247
041930	14 × 10	5	14	10	60	50	268
031930	14 × 10	8	14	10	96	160	268

12"

ITEM #	SIZE (")	LENGTH/FT	A (")	B (")	C (")	FT/BNDL	WT/100 FT
042430	25 × 12	5	25	12	60	50	586

– E.&O.E. – Subject to Change Without Notice – May Not Be Available At All Locations –



GALVANIZED DUCT AND ACCESSORIES

BUTTON LOCK DUCT — 28 GAUGE

6"

ITEM #	SIZE (")	LENGTH/FT	A (")	B (")	C (")	FT/BNDL	WT/100 FT
029228	16 x 6	8	16	6	96	80	310

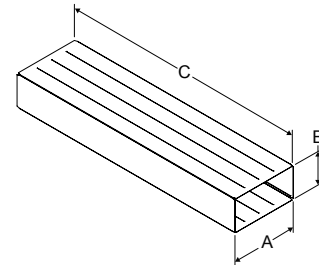
8"

ITEM #	SIZE (")	LENGTH/FT	A (")	B (")	C (")	FT/BNDL	WT/100 FT
030928	10 x 8	8	10	8	96	160	264
031028	12 x 8	8	12	8	96	160	290
041128	14 x 8	5	14	8	60	50	294
031128	14 x 8	8	14	8	96	160	294
041228	16 x 8	5	16	8	60	50	319
031228	16 x 8	8	16	8	96	160	319
041328	18 x 8	5	18	8	60	50	344
031328	18 x 8	8	18	8	96	160	344
041428	20 x 8	5	20	8	60	50	368
031428	20 x 8	8	20	8	96	160	368



10"

ITEM #	SIZE (")	LENGTH/FT	A (")	B (")	C (")	FT/BNDL	WT/100 FT
041828	12 x 10	5	12	10	60	50	298
041928	14 x 10	5	14	10	60	50	319
031928	14 x 10	8	14	10	96	160	319
042028	16 x 10	5	16	10	60	50	344
032028	16 x 10	8	16	10	96	160	344
042128	18 x 10	5	18	10	60	50	368
032128	18 x 10	8	18	10	96	160	361



BUTTON LOCK DUCT — 26 GAUGE

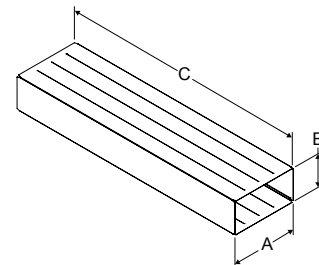
8"

ITEM #	SIZE (")	LENGTH/FT	A (")	B (")	C (")	FT/BNDL	WT/100 FT
041426	20 x 8	5	20	8	60	50	427
041526	22 x 8	5	22	8	60	50	456
031526	22 x 8	8	22	8	96	160	456
041626	24 x 8	5	24	8	60	50	485
031626	24 x 8	8	24	8	96	160	485
041726	25 x 8	5	25	8	60	50	499
041736	26 x 8	5	26	8	60	50	540



9"

ITEM #	SIZE (")	LENGTH (")	A (")	B (")	C (")	LGTH/BNDL	WT/100
042440	26 x 9	40	26	9	40	10	1760/Lgth
042444	26 x 9	44	26	9	44	10	2034/Lgth
042448	26 x 9	48	26	9	48	10	528/Ft



9-1/2"

ITEM #	SIZE (")	LENGTH/FT	A (")	B (")	C (")	FT/BNDL	WT/100 FT
031726	25 x 9-1/2	8	25	9-1/2	96	160	547
041826	25 x 9-1/2	5	25	9-1/2	60	50	547
042466	25 x 9-1/2	4	25	9-1/2	48	40	547
042500	25 x 9-1/2	3	25	9-1/2	36	30	547

- E.&O.E. - Subject to Change Without Notice - May Not Be Available At All Locations -

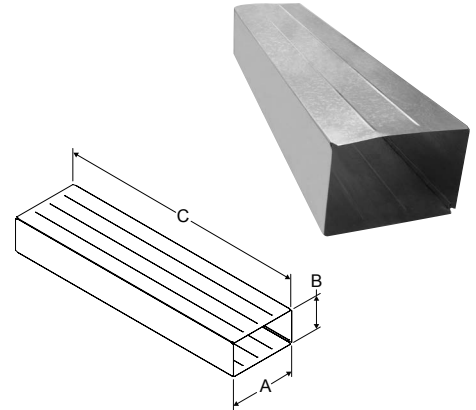
BUTTON LOCK DUCT — 26 GAUGE (cont'd)

10"

ITEM #	SIZE (")	LENGTH/FT	A (")	B (")	C (")	FT/BNDL	WT/100 FT
042226	20 × 10	5	20	10	60	50	456
032226	20 × 10	8	20	10	96	160	456
042326	22 × 10	5	22	10	60	50	485
032326	22 × 10	8	22	10	96	160	485
042426	24 × 10	5	24	10	60	50	513
032426	24 × 10	8	24	10	96	160	513

12"

ITEM #	SIZE (")	LENGTH/FT	A (")	B (")	C (")	FT/BNDL	WT/100 FT
042470	25 × 12	4	25	12	48	40	586



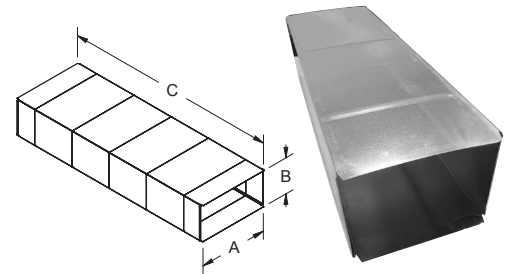
CLEAT FOLD DUCT — 28 GAUGE

8"

ITEM #	SIZE (")	LENGTH/FT	A (")	B (")	C (")	FT/BNDL	WT/100 FT
588808	8 × 8	5	8	8	60	50	232
588810	10 × 8	5	10	8	60	50	258
588812	12 × 8	5	12	8	60	50	284
588814	14 × 8	5	14	8	60	50	310
588816	16 × 8	5	16	8	60	50	336
588818	18 × 8	5	18	8	60	50	362
588820	20 × 8	5	20	8	60	50	388

10"

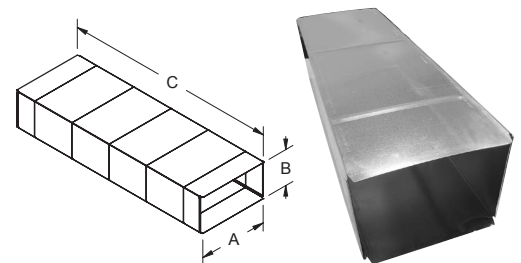
ITEM #	SIZE (")	LENGTH/FT	A (")	B (")	C (")	FT/BNDL	WT/100 FT
589010	10 × 10	5	10	10	60	50	284
589012	12 × 10	5	12	10	60	50	310
589014	14 × 10	5	14	10	60	50	336
589016	16 × 10	5	16	10	60	50	362
589018	18 × 10	5	18	10	60	50	388



CLEAT FOLD DUCT — 26 GAUGE

8"

ITEM #	SIZE (")	LENGTH/FT	A (")	B (")	C (")	FT/BNDL	WT/100 FT
568808	8 × 8	5	8	8	60	50	269
568810	10 × 8	5	10	8	60	50	299
568812	12 × 8	5	12	8	60	50	329
568814	14 × 8	5	14	8	60	50	360
568816	16 × 8	5	16	8	60	50	390
568818	18 × 8	5	18	8	60	50	420
568820	20 × 8	5	20	8	60	50	450
568822	22 × 8	5	22	8	60	50	480
568824	24 × 8	5	24	8	60	50	511
568830	30 × 8	5	30	8	60	50	601



— E.&O.E. — Subject to Change Without Notice — May Not Be Available At All Locations —

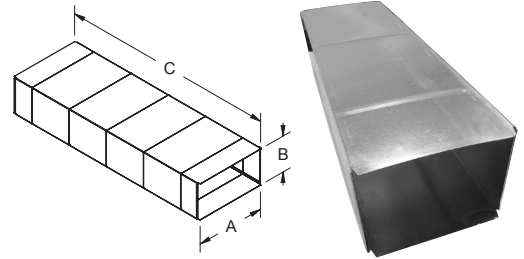


GALVANIZED DUCT AND ACCESSORIES

CLEAT FOLD DUCT — 26 GAUGE (cont'd)

10"

ITEM #	SIZE (")	LENGTH/FT	A (")	B (")	C (")	FT/BNDL	WT/100 FT
569010	10 x 10	5	10	10	60	50	330
569012	12 x 10	5	12	10	60	50	360
569014	14 x 10	5	14	10	60	50	390
569016	16 x 10	5	16	10	60	50	420
569018	18 x 10	5	18	10	60	50	450
569020	20 x 10	5	20	10	60	50	480
569022	22 x 10	5	22	10	60	50	511
569024	24 x 10	5	24	10	60	50	541
569025	25 x 10	5	25	10	60	50	556
569026	26 x 10	5	26	10	60	50	570
569030	30 x 10	5	30	10	60	50	631



12"

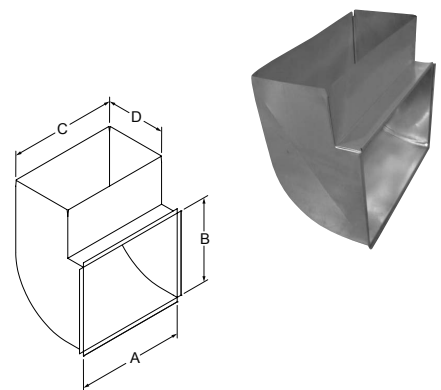
ITEM #	SIZE (")	LENGTH/FT	A (")	B (")	C (")	FT/BNDL	WT/100 FT
569124	25 x 12	5	25	12	60	50	570
569125	25 x 12	5	25	12	60	50	585

Miscellaneous Sizes

ITEM #	SIZE (")	LENGTH/FT	A (")	B (")	C (")	FT/BNDL	WT/100 FT
569314	14 x 3-1/4	5	14	3-1/4	60	50	220
569240	14 x 14	5	14	14	60	50	450
569250	16 x 16	5	16	16	60	50	511
569280	13-1/2 x 20	5	13-1/2	20	60	50	533
569285	16 x 20	5	16	20	60	50	579
569290	16-1/2 x 20	5	16-1/2	20	60	50	579
569246	20 x 14	5	20	14	60	50	512
569296	20 x 20	5	20	20	60	50	632
569300	23-1/2 x 20	5	23-1/2	20	60	50	684

RETURN AIR SHOES

ITEM #	SIZE (")	A (")	B (")	C (")	D (")	CTN/QTY	WT/100
050494	19 x 19 to 20 x 10	19	19	20	10	5	1050
050510	22 x 14 to 24 x 8	22	14	24	8	5	1050
050518	22-1/2 x 14-1/2 to 24 x 10	22-1/2	14-1/2	24	10	5	1080
050504	23-1/2 x 15 to 18 x 10	23-1/2	15	18	10	5	1050
050505	23-1/2 x 15 to 20 x 10	23-1/2	15	20	10	5	1050
050506	23-1/2 x 15 to 22 x 10	23-1/2	15	22	10	5	1050
050500	23-1/2 x 15 to 24 x 8	23-1/2	15	24	8	5	1080
050507	23-1/2 x 15 to 24 x 10	23-1/2	15	24	10	5	1050
050508	23-1/2 x 15 to 24 x 12	23-1/2	15	24	12	5	1080
050509	23-1/2 x 15 to 25 x 10	23-1/2	15	25	10	5	1037
050502	23-1/2 x 18-1/2 to 24 x 8	23-1/2	18-1/2	24	8	5	1080
050503	23-1/2 x 18-1/2 to 24 x 10	23-1/2	18-1/2	24	10	5	935
050520	24 x 14 to 24 x 10	24	14	24	10	5	1080
050525	25 x 15-1/2 to 24 x 8	25	15-1/2	24	8	5	900
050526	25 x 15-1/2 to 24 x 10	25	15-1/2	24	10	5	945



-E.&O.E. - Subject to Change Without Notice - May Not Be Available At All Locations -

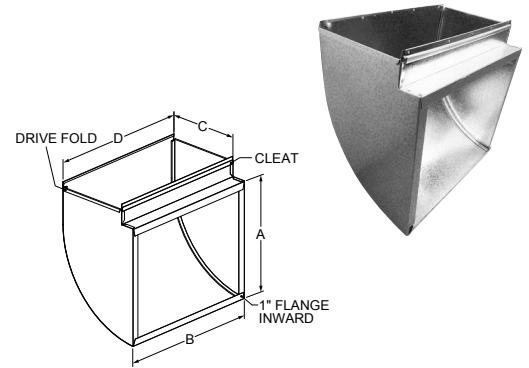


GALVANIZED DUCT AND ACCESSORIES

RETURN AIR ELBOWS — 26 GAUGE

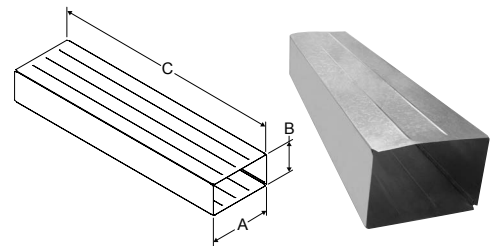
ITEM #	SIZE (")	A (")	B (")	C (")	D (")	CTN/QTY	WT/100
050550	16 × 20 to 10 × 20	16	20	10	20	*	1060
050560	16 × 25 to 10 × 25	16	25	10	25	*	1230
050554	20 × 20 to 10 × 20	20	20	10	20	*	1210
050564	20 × 25 to 10 × 25	20	25	10	25	*	1370

*Product shipped individually.



DROP DUCT — 26 GAUGE

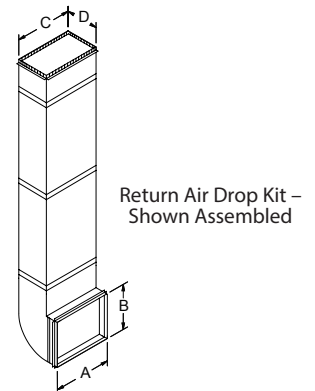
ITEM #	SIZE (")	LENGTH (")	A (")	B (")	C (")	BNDL/QTY	WT/100 FT
042926	24 × 8	84	24	8	84	40pcs = 20 lengths	3388
042726	24 × 10	76	24	10	76	40pcs = 20 lengths	3248
042526	25 × 8	76	25	8	76	40pcs = 20 lengths	3157



RETURN AIR DROP KIT

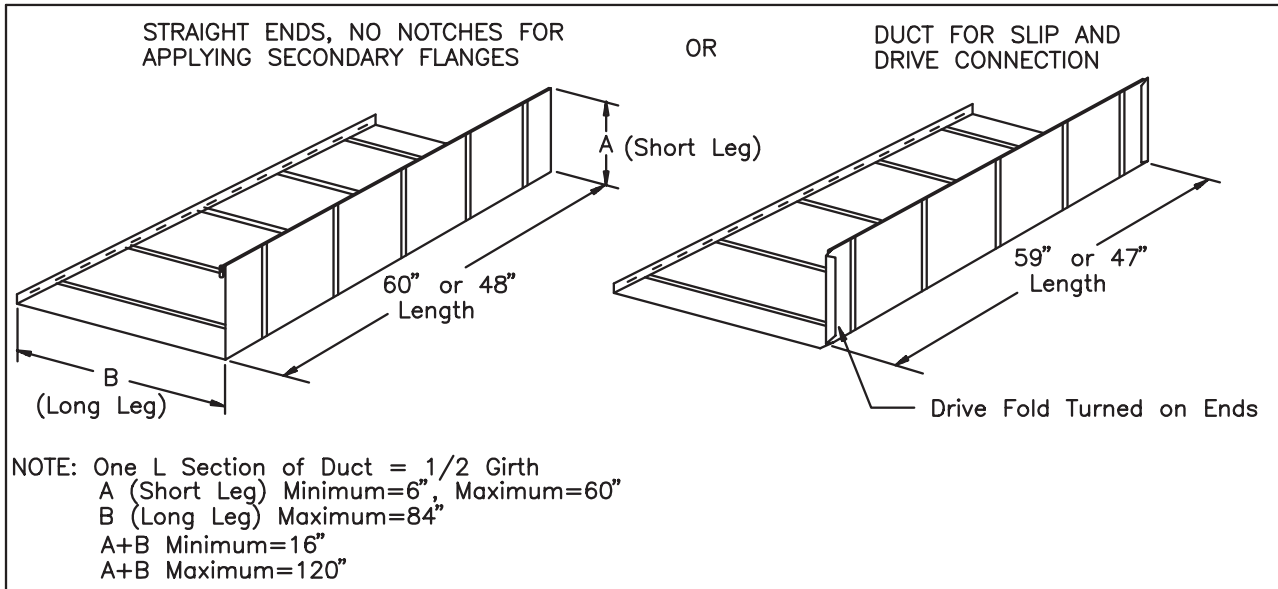
ITEM #	SIZE (")	A (")	B (")	C (")	D (")	CTN/QTY	WT/100
050540	20 × 16 to 20 × 10 Drop Kit	20	16	20	10	1	3000
050543	25 × 14 to 25 × 10 Drop Kit	25	14	25	10	1	3400
050544	25 × 16 to 25 × 10 Drop Kit	25	16	25	10	1	3500

NOTE: Each Return Air Drop Kit includes:
 1 – Return Air Shoe c/w Filter Frame
 1 – Duct Tap-In Collar
 1 – Flexible Duct Connector
 2 – Pieces of Drop Duct 28" Long
 S-Cleats and Drive Cleats



– E.&O.E. – Subject to Change Without Notice – May Not Be Available At All Locations –

RECTANGULAR DUCT — UNASSEMBLED



WEIGHT CHART INSTRUCTIONS

- Find weight for duct size: 20" x 10" — 24 gauge. 20" + 10" = 30" therefore under "DUCT SIZE" column (1/2 of Girth) = 30. Under 24 gauge column weight = 6.13 lbs/ft.
- Find duct liner requirement per foot of 20" x 10" duct. 20" + 10" = 30" therefore under "DUCT SIZE" column (1/2 of Girth) = 30. Under "SURFACE AREA NO. OF SQ.FT. PER LINEAR FOOT" column = 5.00 sq.ft. per Linear Foot of Duct.

NOTE: Actual inside dimensions of duct after 1" Linacoustic Insulation is installed = 8" x 8", therefore care must be taken to size duct accordingly.

WEIGHT CHART

DUCT SIZE (1/2 OF GIRTH)	SURFACE AREA NO. OF SQ. FT. PER LINEAR FT.	WEIGHT – LBS PER LINEAR FOOT OF DUCT					
		28 GA	26 GA	24 GA	22 GA	20 GA	18 GA
16	2.67	2.32	2.69	3.43	4.17	4.92	6.40
18	3.00	2.58	2.99	3.82	4.64	5.47	7.12
20	3.33	2.84	3.29	4.20	5.11	6.02	7.84
22	3.67	3.10	3.60	4.59	5.58	6.57	8.56
24	4.00	3.36	3.90	4.97	6.05	7.12	9.27
26	4.33	3.62	4.20	5.36	6.52	7.68	9.99
28	4.67	3.88	4.50	5.74	6.99	8.23	10.71
30	5.00	4.14	4.80	6.13	7.45	8.78	11.43
32	5.33	4.40	5.11	6.51	7.92	9.33	12.15
34	5.67	4.66	5.41	6.90	8.39	9.88	12.87
36	6.00	4.92	5.71	7.29	8.86	10.44	13.59
38	6.33	5.18	6.01	7.67	9.33	10.99	14.30

(cont'd on next page)



GALVANIZED DUCT AND ACCESSORIES

RECTANGULAR DUCT — UNASSEMBLED *(cont'd)*

WEIGHT CHART *(cont'd)*

DUCT SIZE (1/2 OF GIRTH)	SURFACE AREA NO. OF SQ. FT. PER LINEAR FT.	WEIGHT – LBS PER LINEAR FOOT OF DUCT					
		28 GA	26 GA	24 GA	22 GA	20 GA	18 GA
40	6.67	5.44	6.31	8.06	9.80	11.54	15.02
42	7.00	5.70	6.62	8.44	10.27	12.09	15.74
44	7.33	5.96	6.92	8.83	10.74	12.64	16.46
46	7.67	6.22	7.22	9.21	11.20	13.20	17.18
48	8.00	6.48	7.52	9.60	11.67	13.75	17.90
50	8.33	6.74	7.82	9.98	12.14	14.30	18.62
52	8.67	7.01	8.13	10.37	12.61	14.85	19.33
54	9.00	7.27	8.43	10.75	13.08	15.40	20.05
56	9.33	7.53	8.73	11.14	13.55	15.96	20.77
58	9.67	7.79	9.03	11.52	14.02	16.51	21.49
60	10.00	8.05	9.33	11.91	14.48	17.06	22.21
62	10.33	8.31	9.64	12.29	14.95	17.61	22.93
64	10.67	8.57	9.94	12.68	15.42	18.16	23.65
66	11.00	8.83	10.24	13.07	15.89	18.72	24.36
68	11.33	9.09	10.54	13.45	16.36	19.27	25.08
70	11.67	9.35	10.84	13.84	16.83	19.82	25.80
72	12.00	9.61	11.15	14.22	17.30	20.37	26.52
74	12.33	9.87	11.45	14.61	17.77	20.92	27.24
76	12.67	10.13	11.75	14.99	18.23	21.48	27.96
78	13.00	10.39	12.05	15.38	18.70	22.03	28.68
80	13.33	10.65	12.35	15.76	19.17	22.58	29.39
82	13.67	10.91	12.66	16.15	19.64	23.13	30.11
84	14.00	11.17	12.96	16.53	20.11	23.68	30.83
86	14.33	11.43	13.26	16.92	20.58	24.24	31.55
88	14.67	11.69	13.56	17.30	21.05	24.79	32.27
90	15.00	11.95	13.86	17.69	21.51	25.34	32.99
92	15.33	12.21	14.17	18.08	21.98	25.89	33.70
94	15.67	12.47	14.47	18.46	22.45	26.44	34.42
96	16.00	12.73	14.77	18.85	22.92	27.00	35.14
98	16.33	12.99	15.07	19.23	23.39	27.55	35.86
100	16.67	13.25	15.37	19.62	23.86	28.10	36.58
102	17.00	13.51	15.68	20.00	24.33	28.65	37.30
104	17.33	13.77	15.98	20.39	24.80	29.20	38.02
106	17.67	14.03	16.28	20.77	25.26	29.76	38.73
108	18.00	14.29	16.58	21.16	25.73	30.31	39.45
110	18.33	14.56	16.88	21.54	26.20	30.86	40.17
112	18.67	14.82	17.19	21.93	26.67	31.41	40.89
114	19.00	15.08	17.49	22.31	27.14	31.96	41.61
116	19.33	15.34	17.79	22.70	27.61	32.52	42.33
118	19.67	15.60	18.00	23.08	28.08	33.07	43.05
120	20.00	15.86	18.39	23.47	28.55	33.62	43.76

– E.&O.E. – Subject to Change Without Notice – May Not Be Available At All Locations –



GALVANIZED DUCT AND ACCESSORIES

WALL STACK — 30 GAUGE

10"

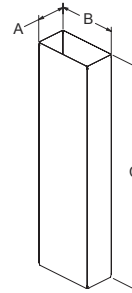
ITEM #	SIZE (")	LENGTH/FT	A (")	B (")	C (")	FT/BNDL	WT/100 FT
102730	3-1/4 x 10	3	3-1/4	10	36	45	152
102735	3-1/4 x 10	5	3-1/4	10	60	75	152
102738	3-1/4 x 10	8	3-1/4	10	96	120	152

12"

ITEM #	SIZE (")	LENGTH/FT	A (")	B (")	C (")	FT/BNDL	WT/100 FT
102740	2-1/4 x 12	5	2-1/4	12	60	75	167
102750	3-1/4 x 12	3	3-1/4	12	36	45	177
102755	3-1/4 x 12	5	3-1/4	12	60	75	177
102758	3-1/4 x 12	8	3-1/4	12	96	120	177

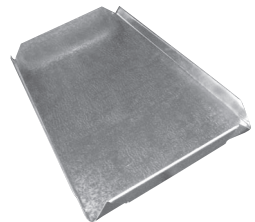
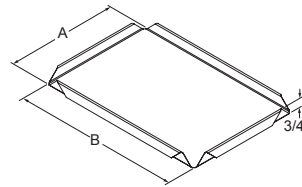
14"

ITEM #	SIZE (")	LENGTH/FT	A (")	B (")	C (")	FT/BNDL	WT/100 FT
102760	3-1/4 x 14	3	3-1/4	14	36	45	198
102765	3-1/4 x 14	5	3-1/4	14	60	75	198
102768	3-1/4 x 14	8	3-1/4	14	96	120	198



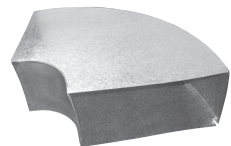
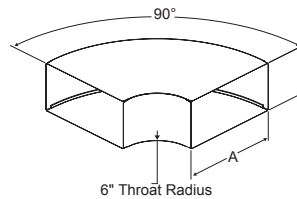
WALL STACK END CAPS

ITEM #	SIZE (")	A (")	B (")	PCS/BNDL	WT/100
103000	2-1/4 x 12	2-1/4	12	10	23
103100	3-1/4 x 10	3-1/4	10	10	21
103102	3-1/4 x 12	3-1/4	12	10	25
103104	3-1/4 x 14	3-1/4	14	10	29



WALL STACK ELBOWS LONG WAY 90°

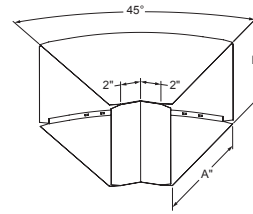
ITEM #	SIZE (")	A (")	B (")	CTN/QTY	WT/100
103500	3-1/4 x 10	10	3-1/4	10	210
103502	3-1/4 x 12	12	3-1/4	10	260
103504	3-1/4 x 14	14	3-1/4	10	300



-E.&O.E. - Subject to Change Without Notice - May Not Be Available At All Locations -

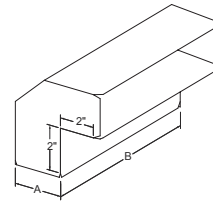
WALL STACK ELBOWS LONG WAY 45° — 2 × 2 THROAT

ITEM #	SIZE (")	A (")	B (")	CTN/QTY	WT/100
103650	3-1/4 × 10	10	3-1/4	10	144
103652	3-1/4 × 12	12	3-1/4	10	176
103654	3-1/4 × 14	14	3-1/4	10	205



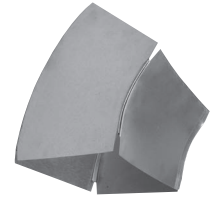
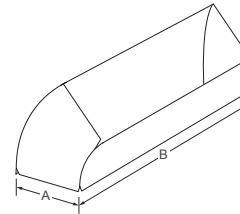
WALL STACK ELBOWS SHORT WAY 90°

ITEM #	SIZE (")	A (")	B (")	CTN/QTY	WT/100
103700	3-1/4 × 10	3-1/4	10	10	100
103702	3-1/4 × 12	3-1/4	12	10	130
103704	3-1/4 × 14	3-1/4	14	10	150



WALL STACK ELBOWS SHORT WAY 45°

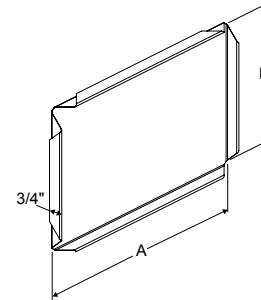
ITEM #	SIZE (")	A (")	B (")	CTN/QTY	WT/100
103800	3-1/4 × 10	3-1/4	10	10	70
103802	3-1/4 × 12	3-1/4	12	10	75



– E.&O.E. – Subject to Change Without Notice – May Not Be Available At All Locations –

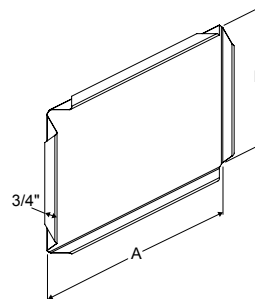
DUCT END CAPS

ITEM #	SIZE (")	A (")	B (")	PCS/BNDL	WT/100
043008	10 × 4 (2 sided)	10	4	10	42
043014	16 × 4 (2 sided)	16	4	10	72
043500	8 × 8	8	8	10	34
043200	10 × 7	10	7	10	37
043600	10 × 8	10	8	10	42
044450	10 × 10	10	10	10	62
043700	12 × 8	12	8	10	49
044500	12 × 10	12	10	10	72
043114	14 × 6	14	6	10	57
043400	14 × 7	14	7	10	51
043800	14 × 8	14	8	10	57
044600	14 × 10	14	10	10	83
043016	16 × 4	16	4	10	72
043116	16 × 6	16	6	10	93
043900	16 × 8	16	8	10	64
044700	16 × 10	16	10	10	93
046600	16 × 16	16	16	10	200
044000	18 × 8	18	8	10	104
044800	18 × 10	18	10	10	104
043120	20 × 6	20	6	10	109
044100	20 × 8	20	8	10	109
044900	20 × 10	20	10	10	135
047665	20 × 16	20	16	10	256
044200	22 × 8	22	8	10	120
045000	22 × 10	22	10	10	148
044300	24 × 8	24	8	10	130
045100	24 × 10	24	10	10	160
046200	24 × 12	24	12	10	196
046400	24 × 14	24	14	10	226
044400	25 × 8	25	8	10	138
044448	25 × 9-1/2	25	9-1/2	10	200
045150	25 × 10	25	10	10	200
044449	25 × 12	25	12	10	205
044410	26 × 8	26	8	10	150
044447	26 × 9	26	9	10	200
044430	30 × 8	30	8	10	200
045400	30 × 10	30	10	10	270



DUCT END CAPS — 26 GAUGE

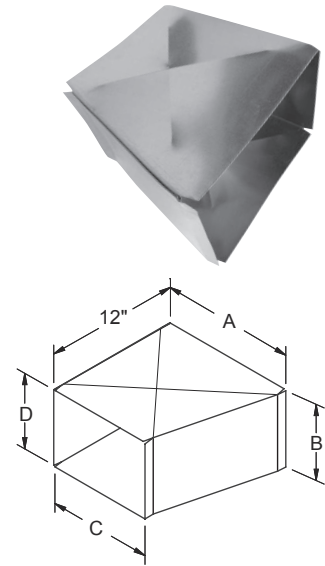
ITEM #	SIZE (")	A (")	B (")	PCS/BNDL	WT/100
047660	14 × 20	14	20	10	221
047670	16-1/2 × 20	16-1/2	20	10	256



– E.&O.E. – Subject to Change Without Notice – May Not Be Available At All Locations –

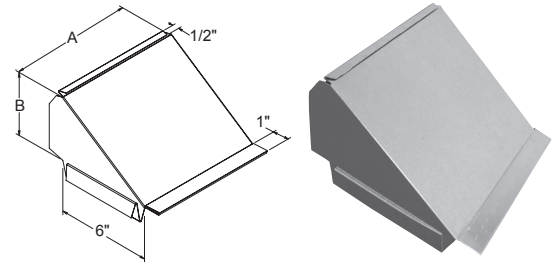
DUCT REDUCERS (UNASSEMBLED)

ITEM #	SIZE (")	A (")	B (")	C (")	D (")	CTN/QTY	WT/100
032470	24 x 8 - 20 x 8	24	8	20	8	10	450
032480	20 x 8 - 18 x 8	20	8	18	8	10	370
032482	20 x 8 - 16 x 8	20	8	16	8	10	370
032484	20 x 8 - 14 x 8	20	8	14	8	10	405
032500	18 x 8 - 16 x 8	18	8	16	8	10	350
032600	18 x 8 - 14 x 8	18	8	14	8	10	330
032700	18 x 8 - 12 x 8	18	8	12	8	10	320
032800	16 x 8 - 14 x 8	16	8	14	8	10	310
032900	16 x 8 - 12 x 8	16	8	12	8	10	300
033000	16 x 8 - 10 x 8	16	8	10	8	10	290
033100	14 x 8 - 12 x 8	14	8	12	8	10	280
033200	14 x 8 - 10 x 8	14	8	10	8	10	270
033300	14 x 8 - 8 x 8	14	8	8	8	10	265
033400	12 x 8 - 10 x 8	12	8	10	8	10	260
033500	12 x 8 - 8 x 8	12	8	8	8	10	250
033600	10 x 8 - 8 x 8	10	8	8	8	10	240
033610	24 x 10 - 24 x 8	24	10	24	8	10	469
033630	24 x 10 - 20 x 10	24	10	20	10	10	469
033640	20 x 10 - 18 x 10	20	10	18	10	10	380
033650	18 x 10 - 16 x 10	18	10	16	10	10	370
033652	18 x 10 - 14 x 10	18	10	14	10	10	360
033660	16 x 10 - 14 x 10	16	10	14	10	10	345
033670	14 x 10 - 12 x 10	14	10	12	10	10	315
033620	24 x 12 - 24 x 10	24	12	24	10	10	489



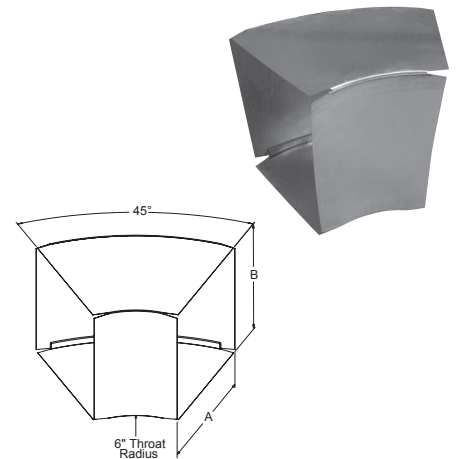
DUCT REDUCING PANELS

ITEM #	DESCRIPTION	A (")	B (")	CTN/QTY	WT/100
034002	2" Reducing Panel - 8" Duct	8	2	20	62
034004	4" Reducing Panel - 8" Duct	8	4	20	68
034006	6" Reducing Panel - 8" Duct	8	6	20	74
034008	8" Reducing Panel - 8" Duct	8	8	20	88
034003	2" Reducing Panel - 10" Duct	10	2	20	149
034005	4" Reducing Panel - 10" Duct	10	4	20	164



DUCT ELBOWS LONG WAY 45°

ITEM #	SIZE (")	A (")	B (")	CTN/QTY	WT/100
022400	8 x 8	8	8	5	190
022500	10 x 8	10	8	5	240
022600	12 x 8	12	8	5	280
022700	14 x 8	14	8	5	330
022800	16 x 8	16	8	5	380
022900	18 x 8	18	8	5	490
023000	20 x 8	20	8	5	590
023100	22 x 8	22	8	*	690
023200	24 x 8	24	8	*	730
027212	12 x 10	12	10	5	294
027214	14 x 10	14	10	5	347
027216	16 x 10	16	10	5	399
027218	18 x 10	18	10	5	514
027220	20 x 10	20	10	5	620



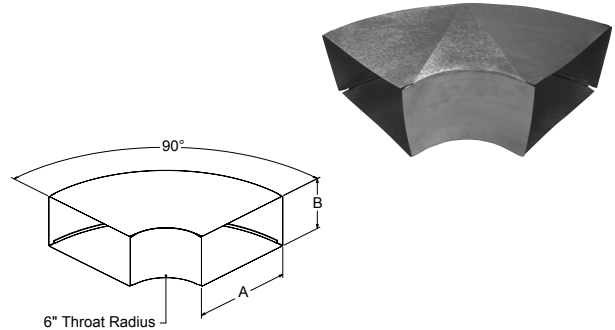
*Product shipped individually.

- E.&O.E. - Subject to Change Without Notice - May Not Be Available At All Locations -

DUCT ELBOWS LONG WAY 90°

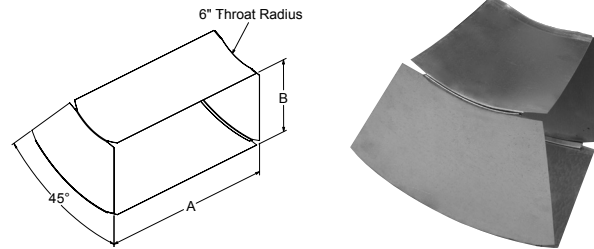
ITEM #	SIZE (")	A (")	B (")	CTN/QTY	WT/100
020800	8 × 8	8	8	5	360
020900	10 × 8	10	8	5	420
021000	12 × 8	12	8	5	480
021100	14 × 8	14	8	5	550
021200	16 × 8	16	8	5	660
021300	18 × 8	18	8	5	780
021400	20 × 8	20	8	5	890
021500	22 × 8	22	8	*	1000
021600	24 × 8	24	8	*	1100
027012	12 × 10	12	10	5	504
027014	14 × 10	14	10	5	578
027016	16 × 10	16	10	5	693
027018	18 × 10	18	10	5	819
027020	20 × 10	20	10	5	934
027022	22 × 10	22	10	*	1050
027024	24 × 10	24	10	*	1164

*Product shipped individually.



DUCT ELBOWS SHORT WAY 45°

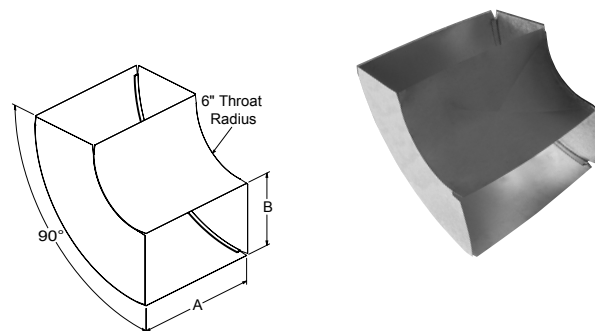
ITEM #	SIZE (")	A (")	B (")	CTN/QTY	WT/100
025700	10 × 8	10	8	5	195
025800	12 × 8	12	8	5	200
025900	14 × 8	14	8	5	210
026000	16 × 8	16	8	5	220
026100	18 × 8	18	8	5	230
026200	20 × 8	20	8	5	250
026300	22 × 8	22	8	10	270
026400	24 × 8	24	8	10	310
027312	12 × 10	12	10	5	210
027314	14 × 10	14	10	5	221
027316	16 × 10	16	10	5	231
027318	18 × 10	18	10	5	242
027320	20 × 10	20	10	5	263



DUCT ELBOWS SHORT WAY 90°

ITEM #	SIZE (")	A (")	B (")	CTN/QTY	WT/100
024100	10 × 8	10	8	5	320
024200	12 × 8	12	8	5	350
024300	14 × 8	14	8	5	380
024400	16 × 8	16	8	5	410
024500	18 × 8	18	8	5	450
024600	20 × 8	20	8	5	500
024700	22 × 8	22	8	*	550
024800	24 × 8	24	8	*	620
027120	20 × 10	20	10	5	540
027124	24 × 10	24	10	10	660

*Product shipped individually.

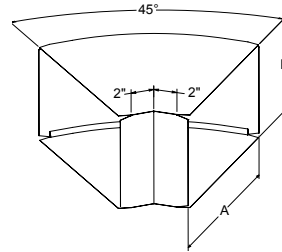


- E.&O.E. - Subject to Change Without Notice - May Not Be Available At All Locations -

DUCT ELBOWS LONG WAY 45° — 2 × 2 THROAT (UNASSEMBLED)

ITEM #	SIZE (")	A (")	B (")	CTN/QTY	WT/100
022410	8 × 8	8	8	10	170
022510	10 × 8	10	8	10	220
022610	12 × 8	12	8	10	260
022710	14 × 8	14	8	10	310
022810	16 × 8	16	8	10	360
022910	18 × 8	18	8	10	470
023010	20 × 8	20	8	*	570
023110	22 × 8	22	8	*	670
023210	24 × 8	24	8	*	800
023510	30 × 8	30	8	*	1100
027211	10 × 10	10	10	10	240
027213	12 × 10	12	10	10	280
027215	14 × 10	14	10	10	330
027217	16 × 10	16	10	10	380
027219	18 × 10	18	10	10	490
027221	20 × 10	20	10	10	590
027223	22 × 10	22	10	10	690
027225	24 × 10	24	10	5	730
027227	26 × 10	26	10	5	860
027229	28 × 10	28	10	*	980
027231	30 × 10	30	10	*	1100

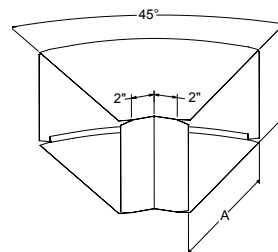
*Product shipped individually.



DUCT ELBOWS LONG WAY 45° — 2 × 2 THROAT (ASSEMBLED)

ITEM #	SIZE (")	A (")	B (")	CTN/QTY	WT/100
020208	8 × 8	8	8	*	170
020210	10 × 8	10	8	*	220
020212	12 × 8	12	8	*	260
020214	14 × 8	14	8	*	310
020216	16 × 8	16	8	*	360
020218	18 × 8	18	8	*	470
023010	20 × 8	20	8	*	570
023110	22 × 8	22	8	*	670
023210	24 × 8	24	8	*	800
023510	30 × 8	30	8	*	1100
020310	10 × 10	10	10	*	240
020312	12 × 10	12	10	*	280
020314	14 × 10	14	10	*	330
020316	16 × 10	16	10	*	380
020318	18 × 10	18	10	*	490
020320	20 × 10	20	10	*	590
020322	22 × 10	22	10	*	690
020324	24 × 10	24	10	*	730
020326	26 × 10	26	10	*	860
027229	28 × 10	28	10	*	980
027231	30 × 10	30	10	*	1100

*Product shipped individually.

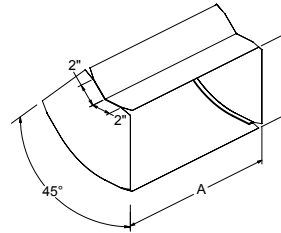




GALVANIZED DUCT AND ACCESSORIES

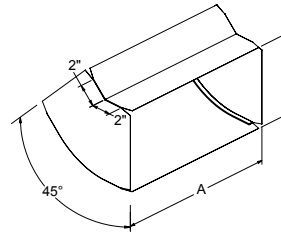
DUCT ELBOWS SHORT WAY 45° — 2 × 2 THROAT (UNASSEMBLED)

ITEM #	SIZE (")	A (")	B (")	CTN/QTY	WT/100
025710	10 × 8	10	8	10	175
025810	12 × 8	12	8	10	180
025910	14 × 8	14	8	10	190
026010	16 × 8	16	8	10	200
026110	18 × 8	18	8	10	210
026210	20 × 8	20	8	10	230
026310	22 × 8	22	8	10	250
026410	24 × 8	24	8	10	270
026610	28 × 8	28	8	10	320
026710	30 × 8	30	8	10	350
027315	14 × 10	14	10	10	221
027319	18 × 10	18	10	10	490
027321	20 × 10	20	10	10	590
027325	24 × 10	24	10	10	730



DUCT ELBOWS SHORT WAY 45° — 2 × 2 THROAT (ASSEMBLED)

ITEM #	SIZE (")	A (")	B (")	CTN/QTY	WT/100
020610	10 × 8	10	8	*	175
020612	12 × 8	12	8	*	180
020614	14 × 8	14	8	*	190
020616	16 × 8	16	8	*	200
020618	18 × 8	18	8	*	210
020620	20 × 8	20	8	*	230
020622	22 × 8	22	8	*	250
020624	24 × 8	24	8	*	270
020628	28 × 8	28	8	*	320
020630	30 × 8	30	8	*	350
020714	14 × 10	14	10	*	221
020718	18 × 10	18	10	*	490
020720	20 × 10	20	10	*	590
020724	24 × 10	24	10	*	730

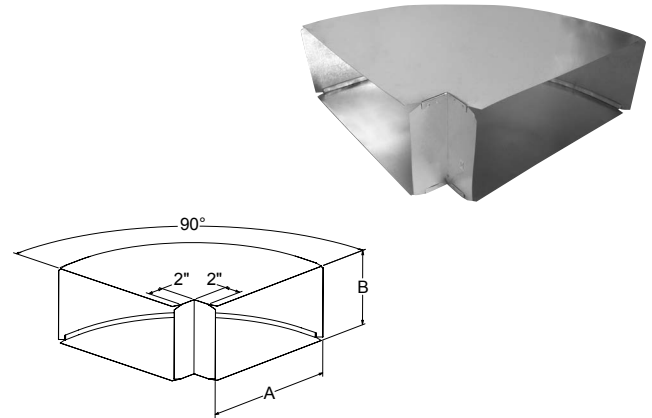


*Product shipped individually.

– E.&O.E. – Subject to Change Without Notice – May Not Be Available At All Locations –

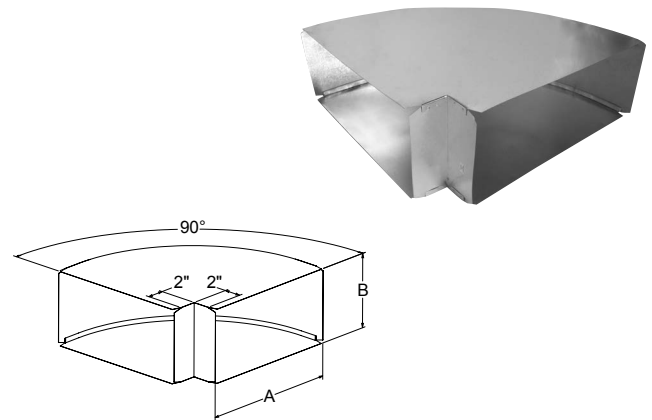
DUCT ELBOWS LONG WAY 90° — 2 × 2 THROAT (UNASSEMBLED)

ITEM #	SIZE (")	A (")	B (")	CTN/QTY	WT/100
020810	8 × 8	8	8	10	320
020910	10 × 8	10	8	10	380
021010	12 × 8	12	8	10	440
021110	14 × 8	14	8	10	510
021210	16 × 8	16	8	10	620
021310	18 × 8	18	8	5	740
021410	20 × 8	20	8	5	850
021610	24 × 8	24	8	5	1090
021910	30 × 8	30	8	5	1610
027011	10 × 10	10	10	10	420
027013	12 × 10	12	10	10	480
027015	14 × 10	14	10	10	550
027017	16 × 10	16	10	5	660
027019	18 × 10	18	10	5	780
027021	20 × 10	20	10	5	890



DUCT ELBOWS LONG WAY 90° — 2 × 2 THROAT (ASSEMBLED)

ITEM #	SIZE (")	A (")	B (")	CTN/QTY	WT/100
020008	8 × 8	8	8	*	320
020010	10 × 8	10	8	*	380
020012	12 × 8	12	8	*	440
020014	14 × 8	14	8	*	510
020016	16 × 8	16	8	*	620
020018	18 × 8	18	8	*	740
020020	20 × 8	20	8	*	850
020024	24 × 8	24	8	*	1090
020030	10 × 10	10	10	*	420
020110	12 × 10	12	10	*	480
020112	14 × 10	14	10	*	550
020114	16 × 10	16	10	*	660
020116	18 × 10	18	10	*	780
020118	20 × 10	20	10	*	890
020120	22 × 10	22	10	*	1000
027023	22 × 10	22	10	*	1000
027025	24 × 10	24	10	*	1100
027027	26 × 10	26	10	*	1280
027029	28 × 10	28	10	*	1460
027031	30 × 10	30	10	*	1650



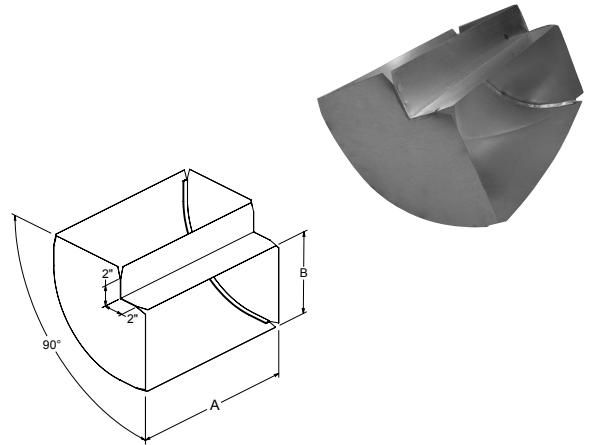
*Product shipped individually.



GALVANIZED DUCT AND ACCESSORIES

DUCT ELBOWS SHORT WAY 90° — 2 × 2 THROAT (UNASSEMBLED)

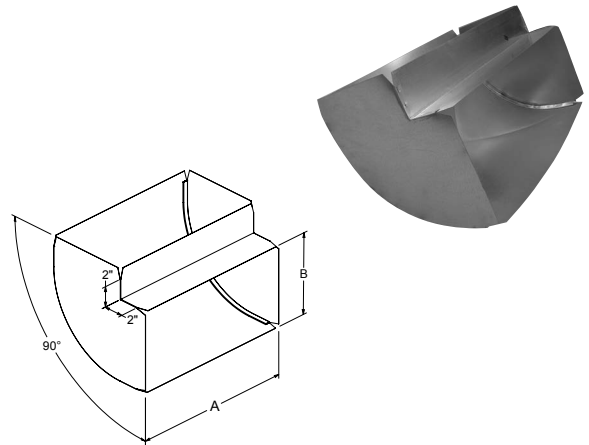
ITEM #	SIZE (")	A (")	B (")	CTN/QTY	WT/100
024110	10 × 8	10	8	10	280
024210	12 × 8	12	8	10	310
024310	14 × 8	14	8	10	340
024410	16 × 8	16	8	10	370
024510	18 × 8	18	8	10	410
024610	20 × 8	20	8	10	460
024710	22 × 8	22	8	10	510
024810	24 × 8	24	8	10	560
025110	30 × 8	30	8	10	720
027113	12 × 10	12	10	10	325
027115	14 × 10	14	10	10	357
027117	16 × 10	16	10	10	389
027119	18 × 10	18	10	10	431
027121	20 × 10	20	10	10	520
027134	24 × 10	24	10	*	610



*Product shipped individually.

DUCT ELBOWS SHORT WAY 90° — 2 × 2 THROAT (ASSEMBLED)

ITEM #	SIZE (")	A (")	B (")	CTN/QTY	WT/100
020410	10 × 8	10	8	*	280
020412	12 × 8	12	8	*	310
020414	14 × 8	14	8	*	340
020416	16 × 8	16	8	*	370
020418	18 × 8	18	8	*	410
020420	20 × 8	20	8	*	460
020422	22 × 8	22	8	*	510
020424	24 × 8	24	8	*	560
020430	30 × 8	30	8	*	720
020512	12 × 10	12	10	*	325
020514	14 × 10	14	10	*	357
020516	16 × 10	16	10	*	389
020518	18 × 10	18	10	*	431
020520	20 × 10	20	10	*	520



*Product shipped individually.

– E.&O.E. – Subject to Change Without Notice – May Not Be Available At All Locations –

DUCT TAP-IN COLLARS

12" Long

ITEM #	SIZE (")	A (")	B (")	CTN/QTY	WT/100
050050	25 × 9-1/2	25	9-1/2	10	550
050051	24 × 12	24	12	5	580

10" Long

ITEM #	SIZE (")	A (")	B (")	CTN/QTY	WT/100
050200	24 × 8	24	8	10	450
050100	25 × 8	25	8	10	460
050080	26 × 8	26	8	10	480
050303	18 × 10	18	10	10	390
050302	20 × 10	20	10	10	410
050301	22 × 10	22	10	10	430
050300	24 × 10	24	10	10	450

4" Long

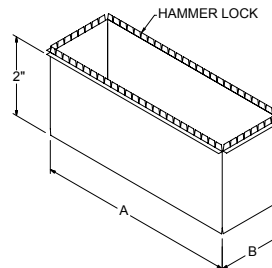
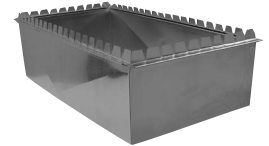
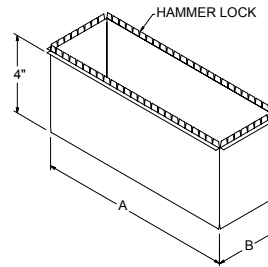
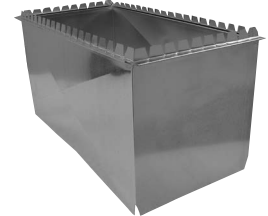
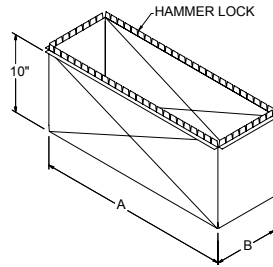
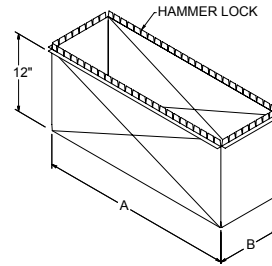
ITEM #	SIZE (")	A (")	B (")	CTN/QTY	WT/100
050308	8 × 8	8	8	10	116
050310	10 × 8	10	8	10	129
050312	12 × 8	12	8	10	143
050314	14 × 8	14	8	10	156
050316	16 × 8	16	8	10	169
050318	18 × 8	18	8	10	182
050320	20 × 8	20	8	10	195
050322	22 × 8	22	8	10	199
050324	24 × 8	24	8	10	220

3" Long

ITEM #	SIZE (")	A (")	B (")	CTN/QTY	WT/100
050331	10 × 3	10	3	10	72

2" Long

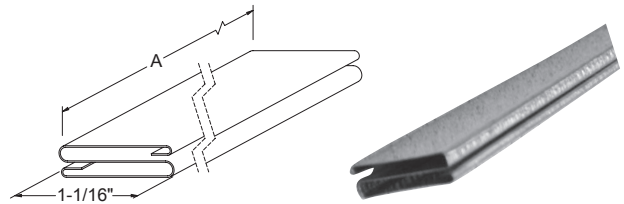
ITEM #	SIZE (")	A (")	B (")	CTN/QTY	WT/100
050332	25 × 9-1/2	25	9-1/2	10	220



S-CLEATS

ITEM #	SIZE (")	A (")	GAUGE	PCS/BNDL	WT/100
052008	8	7-5/8	30	10	12
052010	10	9-5/8	30	10	15
052100	12	11-5/8	30	10	18
052200	14	13-5/8	30	10	21
052300	16	15-5/8	30	10	24
052400	18	17-5/8	30	10	27
052500	20	19-5/8	30	10	30
052600	22	21-5/8	30	10	33
052700	24	23-5/8	30	10	36
052800	25	24-5/8	30	10	42
052850	26	25-5/8	30	10	60
052890	48	48	30	10	28
052900	60	60	30	10	18
052928	60	60	28	10	24
052926	60	60	26	10	28
052924	60	60	24	10	35
052910	96	96	33	10	13
053000	120	120	26	10	28
053024	120	120	24	10	35

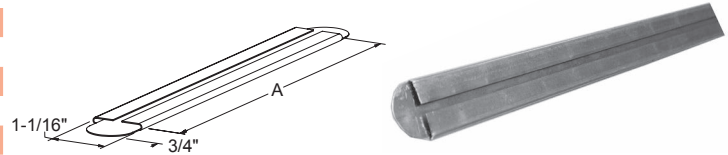
NOTE: Standard size(s) are in bold..



DRIVE CLEATS

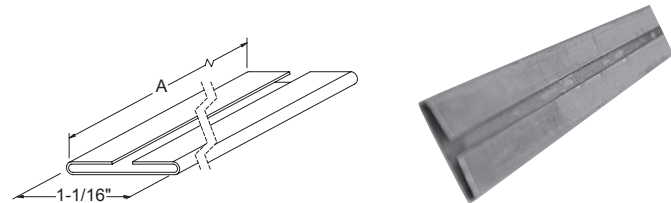
8" – 12"

ITEM #	SIZE (")	A (")	GAUGE	PCS/BNDL	WT/100
053090	8	8	26	20	13
053098	8	8	30	20	7
053099	10	10	26	20	94
053100	10	10	30	20	8
053200	12	12	30	20	10



48" – 120"

ITEM #	SIZE (")	A (")	GAUGE	PCS/BNDL	WT/100
053525	48	48	26	20	14
053500	60	60	30	20	10
053524	60	60	24	20	21
053526	60	60	26	20	16
053528	60	60	28	20	14
053508	96	96	30	20	10
053600	120	120	26	20	16
053624	120	120	24	20	21
053622	120	120	22	20	26

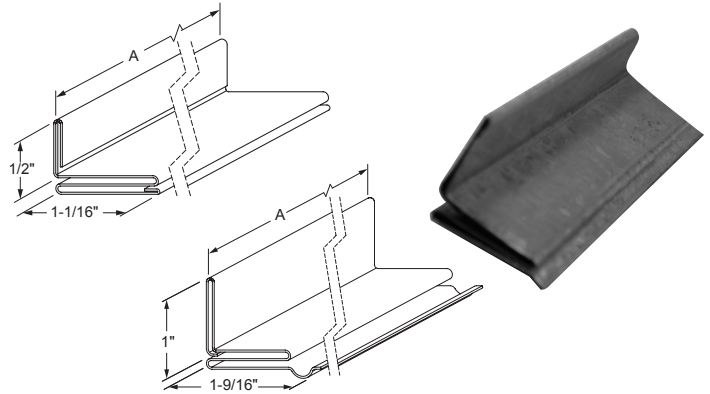


NOTE: Standard size(s) are in bold.

- E.&O.E. - Subject to Change Without Notice - May Not Be Available At All Locations -

STANDING S-CLEATS

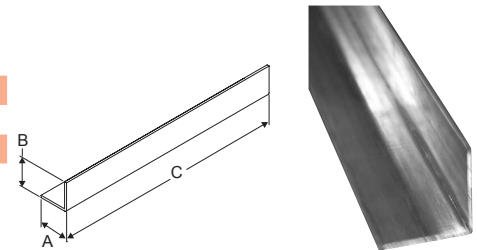
ITEM #	SIZE (")	A (")	GA	PCS/BNDL	WT/100
580072	1/2 × 60	60	12	10	16
580071	1/2 × 120	120	26	10	32
580073	1/2 × 120	120	24	10	40
580113	1 × 120	120	24	10	54
580115	1 × 120	120	22	10	69



FIRE DAMPER ANGLES

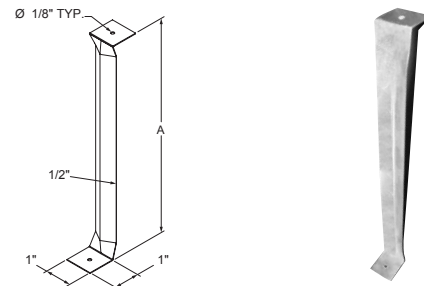
ITEM #	DESCRIPTION	A (")	B (")	C (")	GA	PCS/BNDL	WT/100
580205	1-1/2 × 1-1/2 – 10'	1-1/2	1-1/2	120	16	10	66
580209	1-1/2 × 1-1/2 – 8'	1-1/2	1-1/2	96	28	*	20
580210	1 × 2 – 4'	1	2	48	26	*	24
580211	2 × 2 – 8'	2	2	96	30	*	22

*Product shipped individually.



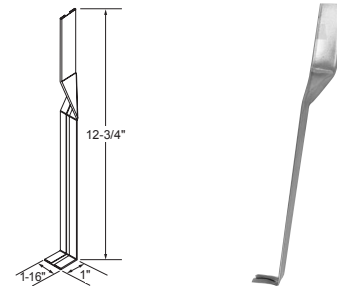
DUCT HANGERS

ITEM #	SIZE (")	A (")	GA	CTN/QTY	WT/100
051404	8	8	24	250	8
051408	9	9	24	250	9



DUCT HANGER — 90° TWIST

ITEM #	SIZE (")	A (")	B (")	GA	CTN/QTY	WT/100
051400	1-1/16 × 12-3/4	1-1/16	12-3/4	30	100	12



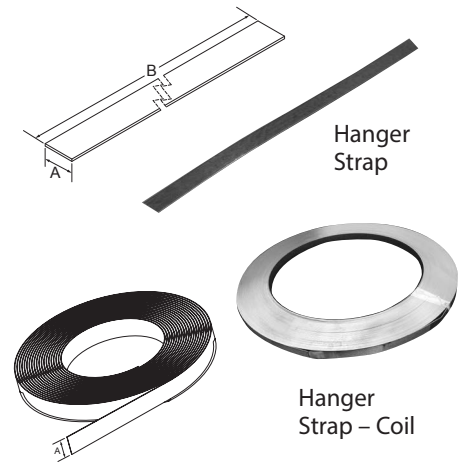
– E.&O.E. – Subject to Change Without Notice – May Not Be Available At All Locations –



GALVANIZED DUCT AND ACCESSORIES

DUCT HANGER STRAP

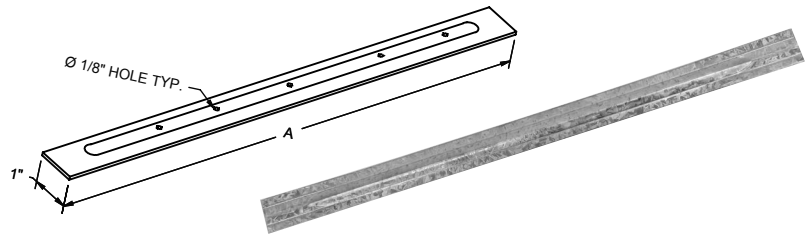
ITEM #	DESCRIPTION	A (")	B	GA	PCS/BNDL	WT/100
580195	1" Hanger Strap (5' long)	1	60 in	22	10	12
580190	1" Hanger Strap (10' long)	1	120 in	24	10	10
580197	1" Hanger Strap (10' long)	1	120 in	22	10	12
580201	1" Hanger Strap (10' long)	1	120 in	18	10	18
580200	1" Hanger Strap	1	-	Light	*	4
580202	1" Coil Duct Hanger	1	-	18	*	100
580165	1" Hanger Strap - 100' coil	1	100 ft	26	*	755
580170	1" Hanger Strap - 100' coil	1	100 ft	24	*	964
580180	1" Hanger Strap - 100' coil	1	100 ft	22	*	1172
580178	1-1/2" Hanger Strap - 100' coil	1-1/2	100 ft	24	*	1445
580203	1-1/2" Hanger Strap - 100' coil	1-1/2	100 ft	24	*	1500
580167	1-1/2" Hanger Strap - 100' coil	1-1/2	100 ft	26	*	1133



*Product shipped individually.

PIPE SUPPORTS

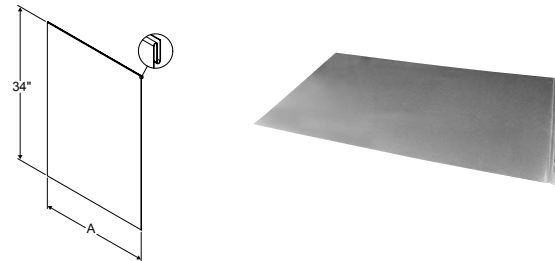
ITEM #	DESCRIPTION	A (")	CTN/QTY	WT/100
051800	16" - 20 Gauge	16-1/4	100	20
051819	19" - 18 Gauge	19-1/4	100	31
051821	21" - 18 Gauge	21-1/4	100	35
051824	24" - 18 Gauge	24-1/4	100	39
051826	26" - 18 Gauge	26-1/4	100	43



JOIST LINERS — GALVANIZED (.013)

ITEM #	SIZE (")	A (")	CTN/QTY	WT/100
051048	24 x 34	24	*	312

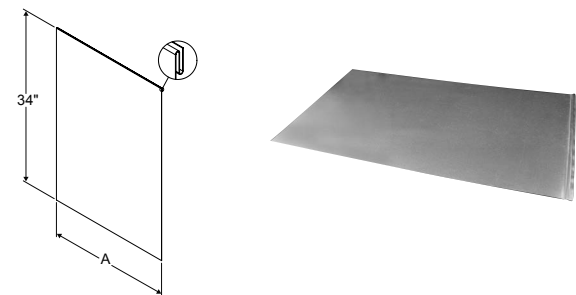
*Product shipped individually.



JOIST LINERS — GALVANIZED (.010)

ITEM #	SIZE (")	A (")	CTN/QTY	WT/100
051034	16 x 34	16	30	165
051040	19 x 34	19	*	196
051038	20 x 34	24	*	207
051036	24 x 34	20	*	248

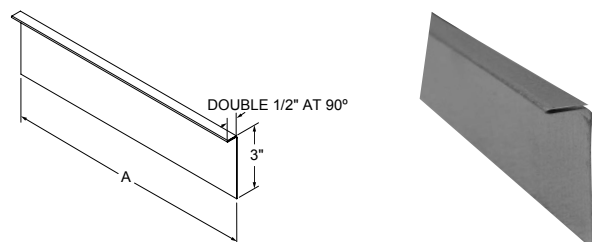
*Product shipped individually.



RETURN AIR FRAME

ITEM #	SIZE (")	A (")	CTN/QTY	WT/100
050651	36" long (2-pc)	36	*	181
050652	60" long	60	*	20
050653	96" long	96	*	31

*Product shipped individually.



-E.&O.E. - Subject to Change Without Notice - May Not Be Available At All Locations -



www.eccomfg.com

Langley Distribution

19860 Fraser Highway
Langley, British Columbia
Canada V3A 4C9

Phone: 604-530-4151
Toll Free: 1-877-955-4805
Fax: 604-533-9335

Calgary Distribution

21 – 11150 38th Street, S.E.
Calgary, Alberta
Canada T2C 2Z6

Phone: 403-720-0895
Toll Free: 1-877-955-4815
Fax: 403-720-0897

Kent Distribution

20001 87th Ave. S, Bldg E
Kent, Washington
USA 98031

Phone: 253-872-3721
Toll Free: 1-800-207-6859
Fax: 253-872-3724

BASE CANS, PLENUMS, FILTER FRAMES and BASES



ECCO™ is proud to be a member of:



SMACNA
Sheet Metal and Air
Conditioning Contractors'
National Association
www.smacna.org



HRAI
Heating, Refrigeration and
Air Conditioning
Institute of Canada
www.hrai.ca



HARDI
Heating, Air-conditioning
& Refrigeration
Distributors International
www.hardinet.org



ADI
Air
Distribution
Institute
www.steelduct.org



AD
Affiliated Distributors™
www.adhq.com



CME
Canadian
Manufacturers &
Exporters
www.cme-mec.ca



SPIDA
Spiral Duct
Manufacturers
Association
www.spida.org



BASE CANS, PLENUMS, FILTER FRAMES AND BASES

INDEX

BASE CAN END CAP	A2-5
BASE CAN RAIL — GALVANIZED	A2-5
BASE CANS	
1" INSULATED	A2-4
2" INSULATED	A2-4
STANDARD	A2-3
DEDICATED ELECTRONIC AIR CLEANER FILTER FRAMES (HONEYWELL).....	A2-15
DEDICATED ELECTRONIC AIR CLEANER FILTER FRAMES (WHITE-RODGERS).....	A2-15
DUCT TRANSITIONS — AIR CLEANERS.....	A2-15
FILTER ACCESS DOORS.....	A2-15
FILTER BASE — FRESH AIR	A2-16
FILTER BASES	A2-16
FILTER BASES — ECONOMY.....	A2-17
FILTER BASES — FAN COIL.....	A2-16
FILTER BASES — MULTI-POSITION	A2-17
FILTER FRAMES	
1" WIDE WITH DOOR	A2-12
2" WIDE WITH 2" DOOR.....	A2-12
3" WIDE WITH 1" DOOR.....	A2-12
4-1/4" WIDE WITH 3-1/2" DOOR.....	A2-13
6-3/4" WIDE, FLANGE OUT AT 90 WITH 5" DOOR.....	A2-14
6-3/4" WIDE WITH 1" DOOR.....	A2-13
6-3/4" WIDE WITH 4" DOOR	A2-13
7" WIDE WITH CLIP ON DOOR	A2-14
FLANGE OUT AT 90 WITH 1" DOOR	A2-14
FURNACE FILTER RACK — DOWNFLOW.....	A2-17
FURNACE PLENUMS	
1/2" INSULATED — 3 SIDED	A2-9
1" INSULATED.....	A2-9
2" INSULATED.....	A2-9
STANDARD — WITH CAP.....	A2-5 – A2-8
PLENUM TAKE OFFS (UNASSEMBLED).....	A2-10 – A2-11

LEGEND

NOTE: The boxed columns throughout the tables are intended to provide a quick determination of ordering dimensions.

ABBREVIATIONS: CTN/QTY = Carton Quantity
WT/100 = Weight per 100 Pieces
WT/100 FT = Weight per 100 Feet
FT/BNDL = Feet per Bundle



BASE CANS, PLENUMS, FILTER FRAMES AND BASES

BASE CANS — STANDARD

18 Base Can

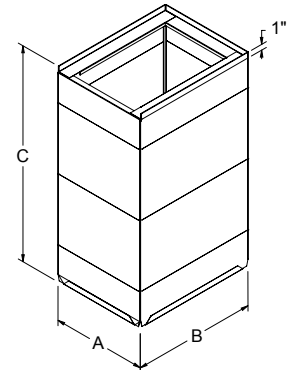
ITEM #	SIZE (")	A (")	B (")	C (")	GA	CTN/QTY	WT/100
010101	14-5/8 × 22	14-5/8	22	18	26	*	1383
010102	15-3/4 × 22	15-3/4	22	18	26	*	1482
010104	17-5/8 × 22	17-5/8	22	18	26	*	1513
010202	19-3/4 × 22	19-3/4	22	18	26	*	2095
010107	21-1/2 × 22	21-1/2	22	18	26	*	1665
010108	22-5/8 × 22	22-5/8	22	18	26	*	1710
010110	24-3/4 × 22	24-3/4	22	18	26	*	1817
010111	22-1/4 × 24	22-1/4	24	18	26	*	1874
010228	14-5/8 × 28-1/4	14-5/8	28-1/4	18	26	*	2200
010117	17-5/8 × 28-1/4	17-5/8	28-1/4	18	26	*	1766
010112	19-3/4 × 28-1/4	19-3/4	28-1/4	18	26	*	1855
010208	21-1/2 × 28-1/4	21-1/2	28-1/4	18	26	*	2594
010123	24-3/4 × 28-1/4	24-3/4	28-1/4	18	26	*	2096



*Product shipped individually.

24 Base Can

ITEM #	SIZE (")	A (")	B (")	C (")	GA	CTN/QTY	WT/100
010160	14-5/8 × 22	14-5/8	22	24	26	*	1659
010162	17-5/8 × 22	17-5/8	22	24	26	*	1812
010164	21-1/2 × 22	21-1/2	22	24	26	*	1993
010166	24-3/4 × 22	24-3/4	22	24	26	*	2170
010170	14-5/8 × 28-1/4	14-5/8	28-1/4	24	26	*	1706
010172	17-5/8 × 28-1/4	17-5/8	28-1/4	24	26	*	1906
010174	21-1/2 × 28-1/4	21-1/2	28-1/4	24	26	*	2087
010176	24-3/4 × 28-1/4	24-3/4	28-1/4	24	26	*	2217



*Product shipped individually.

36 Base Can

ITEM #	SIZE (")	A (")	B (")	C (")	GA	CTN/QTY	WT/100
010126	14-5/8 × 22	14-5/8	22	36	24	*	2258
010129	17-5/8 × 22	17-5/8	22	36	24	*	2456
010131	19-3/4 × 22	19-3/4	22	36	24	*	2556
010132	21-1/2 × 22	21-1/2	22	36	24	*	2687
010135	24-3/4 × 22	24-3/4	22	36	24	*	2918
010139	14-5/8 × 28-1/4	14-5/8	28-1/4	36	24	*	2635
010142	17-5/8 × 28-1/4	17-5/8	28-1/4	36	24	*	2844
010137	19-3/4 × 28-1/4	19-3/4	28-1/4	36	24	*	2977
010145	21-1/2 × 28-1/4	21-1/2	28-1/4	36	24	*	3089
010148	24-3/4 × 28-1/4	24-3/4	28-1/4	36	24	*	3333

*Product shipped individually.

– E.&O.E. – Subject to Change Without Notice – May Not Be Available At All Locations –



BASE CANS, PLENUMS, FILTER FRAMES AND BASES

BASE CANS — 1" INSULATED

24 Base Can

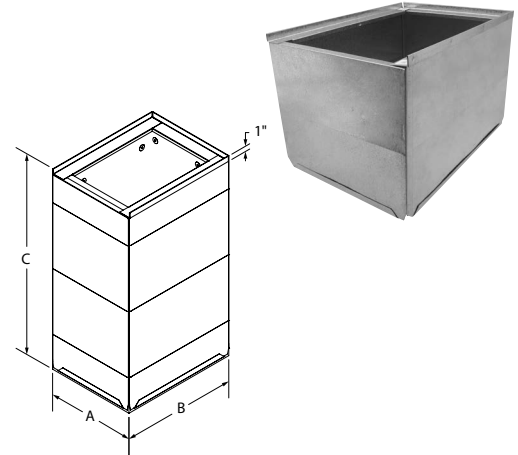
ITEM #	SIZE (")	A (")	B (")	C (")	GA	CTN/QTY	WT/100
010002	14-5/8 × 22	14-5/8	22	24	26	*	1802
010004	17-5/8 × 22	17-5/8	22	24	26	*	1922
010006	21-1/2 × 22	21-1/2	22	24	26	*	2140
010008	24-3/4 × 22	24-3/4	22	24	26	*	2264

*Product shipped individually.

36 Base Can

ITEM #	SIZE (")	A (")	B (")	C (")	GA	CTN/QTY	WT/100
010012	14-5/8 × 22	14-5/8	22	36	26	*	2304
010014	17-5/8 × 22	17-5/8	22	36	26	*	2556
010016	21-1/2 × 22	21-1/2	22	36	26	*	2834
010018	24-3/4 × 22	24-3/4	22	36	26	*	2992

*Product shipped individually.



BASE CANS — 2" INSULATED

18 Base Can

ITEM #	SIZE (")	A (")	B (")	C (")	GA	CTN/QTY	WT/100
010219	17-5/8 × 28-1/4	17-5/8	28-1/4	18	26	*	1800

*Product shipped individually.

36 Base Can

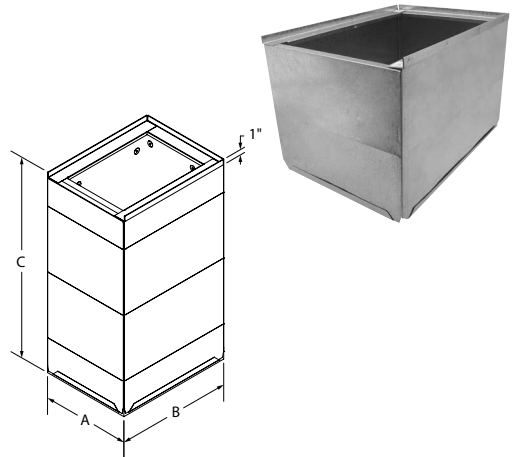
ITEM #	SIZE (")	A (")	B (")	C (")	GA	CTN/QTY	WT/100
010226	14-5/8 × 22	14-5/8	22	36	24	*	3200
010229	17-5/8 × 22	17-5/8	22	36	24	*	3500
010232	21-1/2 × 22	21-1/2	22	36	24	*	4300

*Product shipped individually.

48 Base Can

ITEM #	SIZE (")	A (")	B (")	C (")	GA	CTN/QTY	WT/100
010265	17-3/4 × 21	17-3/4	21	48	24	*	3142
010238	14-5/8 × 22	14-5/8	22	48	24	*	4200
010240	17-5/8 × 22	17-5/8	22	48	24	*	4650
010244	21-1/2 × 22	21-1/2	22	48	24	*	5100

*Product shipped individually.



-E.&O.E. - Subject to Change Without Notice - May Not Be Available At All Locations -

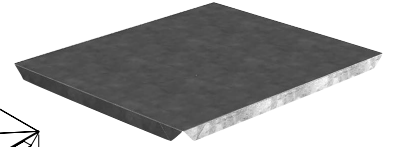
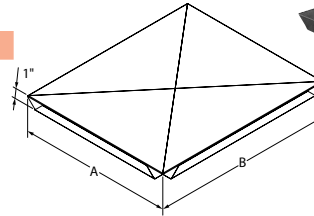


BASE CANS, PLENUMS, FILTER FRAMES AND BASES

BASE CAN END CAP

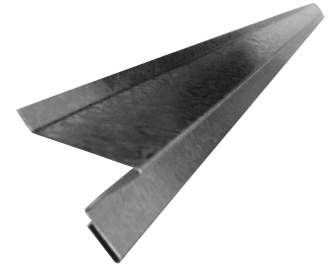
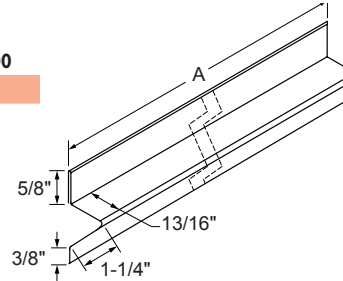
ITEM #	SIZE (")	A (")	B (")	PCS/BNDL	WT/100
010285	17-3/4 × 21	17-3/4	21	*	258

*Product shipped individually.



BASE CAN RAIL — GALVANIZED

ITEM #	SIZE (")	A (")	GA	PCS/BNDL	WT/100
010260	5 ft.	60	26	10	151

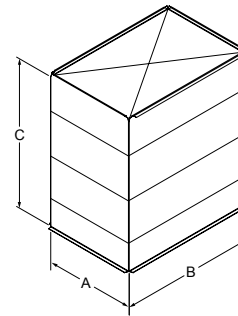


FURNACE PLENUMS — STANDARD — WITH CAP

23 Plenum

ITEM #	SIZE (")	A (")	B (")	C (")	CTN/QTY	WT/100
010490	13-3/4 × 11-1/4	13-3/4	11-1/4	23	*	974
010491	17-3/4 × 11-1/4	17-3/4	11-1/4	23	*	1133
010492	20-1/4 × 11-1/4	20-1/4	11-1/4	23	*	1232
010472	12-3/4 × 19-7/8	12-3/4	19-7/8	23	*	1069
010473	16-1/4 × 19-7/8	16-1/4	19-7/8	23	*	1178
010474	19-3/4 × 19-7/8	19-3/4	19-7/8	23	*	1287
010475	23-1/4 × 19-7/8	23-1/4	19-7/8	23	*	1396
010485	13-1/2 × 20-1/4	13-1/2	20-1/4	23	*	1104
010486	16-1/2 × 20-1/4	16-1/2	20-1/4	23	*	1197
010487	20 × 20-1/4	20	20-1/4	23	*	1306
010488	23-1/2 × 20-1/4	23-1/2	20-1/4	23	*	1416

*Product shipped individually.



– E.&O.E. – Subject to Change Without Notice – May Not Be Available At All Locations –



BASE CANS, PLENUMS, FILTER FRAMES AND BASES

FURNACE PLENUMS — STANDARD — WITH CAP (cont'd)

35 Plenum

ITEM #	SIZE (")	A (")	B (")	C (")	CTN/QTY	WT/100
010497	13 x 13	13	13	35	*	1398
010498	18-1/2 x 13	18-1/2	13	35	*	1700
010499	21-1/2 x 13	21-1/2	13	35	*	1864
010503	19-1/4 x 19-3/4	19-1/4	19-3/4	35	*	1890
010500	12-3/4 x 19-7/8	12-3/4	19-7/8	35	*	1589
010502	16-1/4 x 19-7/8	16-1/4	19-7/8	35	*	1751
010510	13 x 20	13	20	35	*	1606
010512	18-1/2 x 20	18-1/2	20	35	*	1861
010514	21-1/4 x 20	21-1/4	20	35	*	1988
010520	13-1/2 x 20-1/4	13-1/2	20-1/4	35	*	1641
010522	16-1/2 x 20-1/4	16-1/2	20-1/4	35	*	1779
010524	20 x 20-1/4	20	20-1/4	35	*	1942
010526	23-1/2 x 20-1/4	23-1/2	20-1/4	35	*	2104
010542	16 x 25	16	25	35	*	1861

*Product shipped individually.

47 Plenum

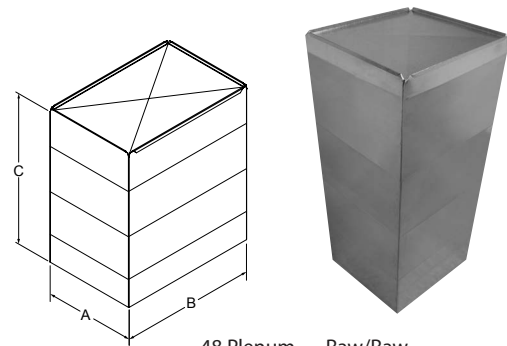
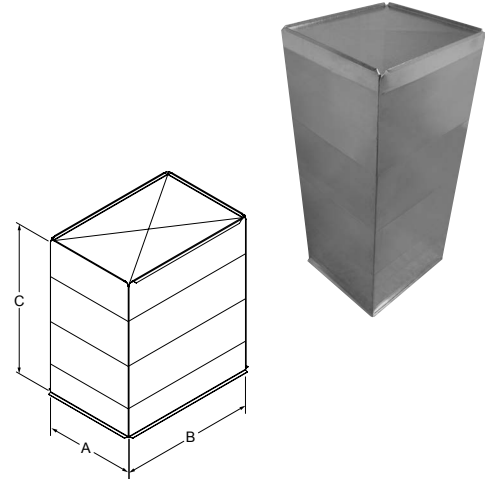
ITEM #	SIZE (")	A (")	B (")	C (")	CTN/QTY	WT/100
010389	13 x 19	13	19	47	*	2252
010391	14 x 19	16	19	47	*	2352
010387	16 x 19	16	19	47	*	2473
010393	18 x 19	18	19	47	*	2633
010392	16-1/4 x 19-1/4	16-1/4	19-1/4	47	*	3112
010395	19 x 20	19	20	47	*	2767
010390	13-1/2 x 20-1/4	13-1/2	20-1/4	47	*	2365
010394	20 x 20-1/4	20	20-1/4	47	*	2848
010398	23-1/2 x 20-1/4	23-1/2	20-1/4	47	*	3109
010388	16-1/2 x 21	16-1/2	21	47	*	2654
010396	19 x 21	19	21	47	*	2840
010399	20 x 21	20	21	47	*	2900
010397	19 x 23	19	23	47	*	2988

*Product shipped individually.

48 Plenum — Raw/Raw

ITEM #	SIZE (")	A (")	B (")	C (")	CTN/QTY	WT/100
010628	17-1/4 x 20	17-1/4	20	48	*	2625

*Product shipped individually.



48 Plenum — Raw/Raw

- E.&O.E. - Subject to Change Without Notice - May Not Be Available At All Locations -



BASE CANS, PLENUMS, FILTER FRAMES AND BASES

FURNACE PLENUMS — STANDARD — WITH CAP (cont'd)

54 Plenum

ITEM #	SIZE (")	A (")	B (")	C (")	CTN/QTY	WT/100
010551	17-5/8 x 18-5/8	17-5/8	18-5/8	54	*	2884
010548	14-1/4 x 18-3/4	14-1/4	18-3/4	54	*	2622
010556	13-1/2 x 19-3/4	13-1/2	19-3/4	54	*	2565
010409	13-3/4 x 19-3/4	13-3/4	19-3/4	54	*	2565
010557	16-1/2 x 19-3/4	16-1/2	19-3/4	54	*	2785
010410	16-3/4 x 19-3/4	16-3/4	19-3/4	54	*	2806
010558	20 x 19-3/4	20	19-3/4	54	*	3065
010411	20-1/4 x 19-3/4	20-1/4	19-3/4	54	*	3166
010559	23-1/2 x 19-3/4	23-1/2	19-3/4	54	*	3344
010412	23-3/4 x 19-3/4	23-3/4	19-3/4	54	*	3525
010561	13-1/8 x 20	13-1/8	20	54	*	2624
010563	18-5/8 x 20	18-5/8	20	54	*	3080
010564	21-3/8 x 20	21-3/8	20	54	*	3308
010552	18-5/8 x 21-1/4	18-5/8	21-1/4	54	*	3182
010553	18-5/8 x 23	18-5/8	23	54	*	3326

*Product shipped individually.

56 Plenum

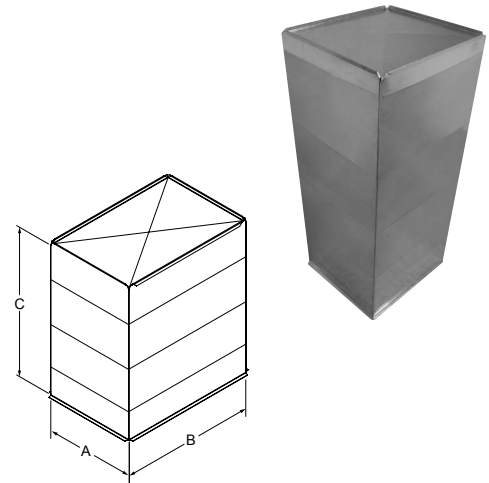
ITEM #	SIZE (")	A (")	B (")	C (")	CTN/QTY	WT/100
010470	17-1/4 x 17-1/4	17-1/4	17-1/4	56	*	2855

*Product shipped individually.

59 Plenum

ITEM #	SIZE (")	A (")	B (")	C (")	CTN/QTY	WT/100
010566	14-1/4 x 18-3/4	14-1/4	18-3/4	59	*	2836
010567	17-3/4 x 18-3/4	17-3/4	18-3/4	59	*	3146
010569	21-1/2 x 18-3/4	21-1/2	18-3/4	59	*	3478
010570	23-1/4 x 18-3/4	23-1/4	18-3/4	59	*	3662
010447	12-5/8 x 19-1/4	12-5/8	19-1/4	59	*	2735
010449	19-1/2 x 19-1/4	19-1/2	19-1/4	59	*	3346
010453	23 x 19-1/4	23	19-1/4	59	*	3657
010404	13-3/4 x 19-3/4	13-3/4	19-3/4	59	*	2854
010571	13-1/4 x 19-3/4	13-1/4	19-3/4	59	*	2833
010448	16 x 19-3/4	16	19-3/4	59	*	3035
010402	16-3/4 x 19-3/4	16-3/4	19-3/4	59	*	3119
010572	16-1/4 x 19-3/4	16-1/4	19-3/4	59	*	3100
010573	19-3/4 x 19-3/4	19-3/4	19-3/4	59	*	3413
010405	20-1/4 x 19-3/4	20-1/4	19-3/4	59	*	3429
010574	23-1/4 x 19-3/4	23-1/4	19-3/4	59	*	3724
010406	16-1/2 x 20-1/8	16-1/2	20-1/8	59	*	2998
010408	23-1/2 x 20-1/8	23-1/2	20-1/8	59	*	3590
010464	17 x 20-1/4	17	20-1/4	59	*	3185
010465	20 x 20-1/4	20	20-1/4	59	*	3451
010466	24 x 20-1/4	24	20-1/4	59	*	3807
010576	13 x 20-1/2	13	20-1/2	59	*	2880
010452	19-3/4 x 20-1/2	19-3/4	20-1/2	59	*	3479
010579	20-1/2 x 20-1/2	20-1/2	20-1/2	59	*	3546

*Product shipped individually.



- E.&O.E. - Subject to Change Without Notice - May Not Be Available At All Locations -



BASE CANS, PLENUMS, FILTER FRAMES AND BASES

FURNACE PLENUMS — STANDARD — WITH CAP (cont'd)

62 Plenum

ITEM #	SIZE (")	A (")	B (")	C (")	CTN/QTY	WT/100
010593	13-1/8 x 19-3/4	13-1/8	19-3/4	62	*	2950
010595	16-3/8 x 19-3/4	16-3/8	19-3/4	62	*	3253
010597	19-7/8 x 19-3/4	19-7/8	19-3/4	62	*	3578
010599	23-3/8 x 19-3/4	23-3/8	19-3/4	62	*	3903

*Product shipped individually.

66 Plenum

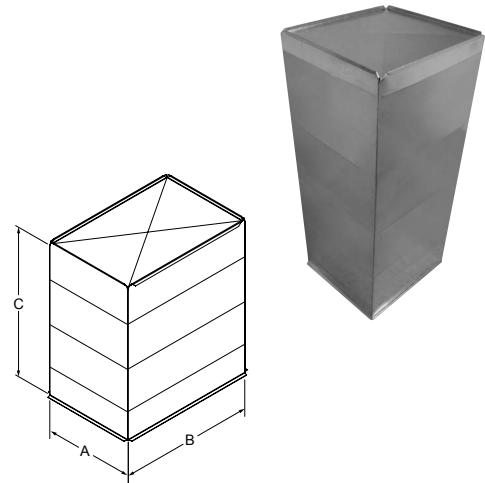
ITEM #	SIZE (")	A (")	B (")	C (")	CTN/QTY	WT/100
010590	17-3/4 x 18-3/4	17-3/4	18-3/4	66	*	3488
010591	21-1/4 x 18-3/4	21-1/4	18-3/4	66	*	3829
010581	13-1/4 x 19-3/4	13-1/4	19-3/4	66	*	3143
010582	16-1/4 x 19-3/4	16-1/4	19-3/4	66	*	3433
010586	16-3/4 x 19-3/4	16-3/4	19-3/4	66	*	3458
010583	19-3/4 x 19-3/4	19-3/4	19-3/4	66	*	3776
010588	20-1/4 x 19-3/4	20-1/4	19-3/4	66	*	3802
010584	23-1/4 x 19-3/4	23-1/4	19-3/4	66	*	4118
010587	23-3/4 x 19-3/4	23-3/4	19-3/4	66	*	4168
010608	16-1/2 x 20-1/8	16-1/2	20-1/8	66	*	3520
010610	16-5/8 x 20-1/4	16-5/8	20-1/4	66	*	3214
010613	20 x 20-1/8	20	20-1/8	66	*	3830
010615	20-1/8 x 20-1/4	20-1/8	20-1/4	66	*	3504
010618	23-1/2 x 20-1/8	23-1/2	20-1/8	66	*	3940
010620	23-5/8 x 20-1/4	23-5/8	20-1/4	66	*	3795

*Product shipped individually.

72 Plenum

ITEM #	SIZE (")	A (")	B (")	C (")	CTN/QTY	WT/100
010418	12-1/2 x 19-1/4	12-1/2	19-1/4	72	*	3294
010421	14-3/4 x 19-1/4	14-3/4	19-1/4	72	*	3531
010438	20 x 19-1/4	20	19-1/4	72	*	4083
010420	13-3/4 x 19-3/4	13-3/4	19-3/4	72	*	3430
010429	16-1/4 x 19-3/4	16-1/4	19-3/4	72	*	3741
010422	16-3/4 x 19-3/4	16-3/4	19-3/4	72	*	3745
010436	19-3/4 x 19-3/4	19-3/4	19-3/4	72	*	4110
010423	20-1/4 x 19-3/4	20-1/4	19-3/4	72	*	4110
010424	20-1/2 x 19-3/4	20-1/2	19-3/4	72	*	4112
010442	23-1/4 x 19-3/4	23-1/4	19-3/4	72	*	4480
010428	23-3/4 x 19-3/4	23-3/4	19-3/4	72	*	4422
010432	13-1/4 x 20-1/4	13-1/4	20-1/4	72	*	3428
010433	17 x 20-1/4	17	20-1/4	72	*	3823
010434	20 x 20-1/4	20	20-1/4	72	*	4139
010435	24 x 20-1/4	24	20-1/4	72	*	4559
010430	16-1/4 x 20-1/2	16-1/4	20-1/2	72	*	3743
010425	19-3/4 x 21-3/4	19-3/4	21-3/4	72	*	4188

*Product shipped individually.



– E.&O.E. – Subject to Change Without Notice – May Not Be Available At All Locations –



BASE CANS, PLENUMS, FILTER FRAMES AND BASES

FURNACE PLENUMS — 1" INSULATED

23 Plenum

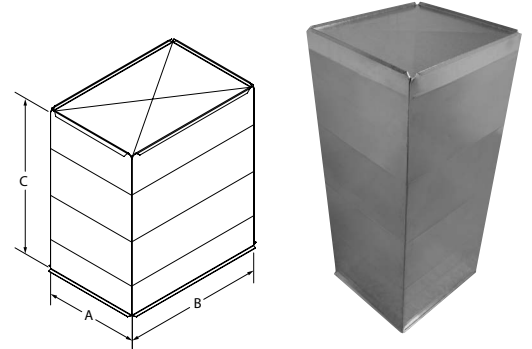
ITEM #	SIZE (")	A (")	B (")	C (")	PCS/BNDL	WT/100
010670	13-1/2 × 20-1/4	13-1/2	20-1/4	23	*	1304
010672	16-1/2 × 20-1/4	16-1/2	20-1/4	23	*	1438
010674	20 × 20-1/4	20	20-1/4	23	*	1608
010676	23-1/2 × 20-1/4	23-1/2	20-1/4	23	*	1746

*Product shipped individually.

35 Plenum

ITEM #	SIZE (")	A (")	B (")	C (")	CTN/QTY	WT/100
010680	13-1/2 × 20-1/4	13-1/2	20-1/4	35	*	1828
010682	16-1/2 × 20-1/4	16-1/2	20-1/4	35	*	2006
010684	20 × 20-1/4	20	20-1/4	35	*	2214
010686	23-1/2 × 20-1/4	23-1/2	20-1/4	35	*	2420

*Product shipped individually.



FURNACE PLENUMS — 2" INSULATED

23 Plenum

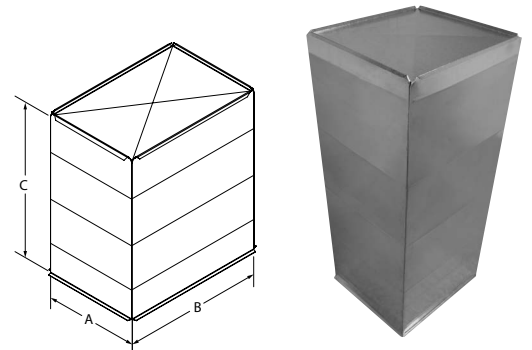
ITEM #	SIZE (")	A (")	B (")	C (")	PCS/BNDL	WT/100
010630	13-1/2 × 20	13-1/2	20	23	*	1500
010632	16 × 20	16	20	23	*	1650

*Product shipped individually.

36 Plenum

ITEM #	SIZE (")	A (")	B (")	C (")	CTN/QTY	WT/100
010650	13-1/2 × 20-1/4	13-1/2	20-1/4	36	*	1700

*Product shipped individually.

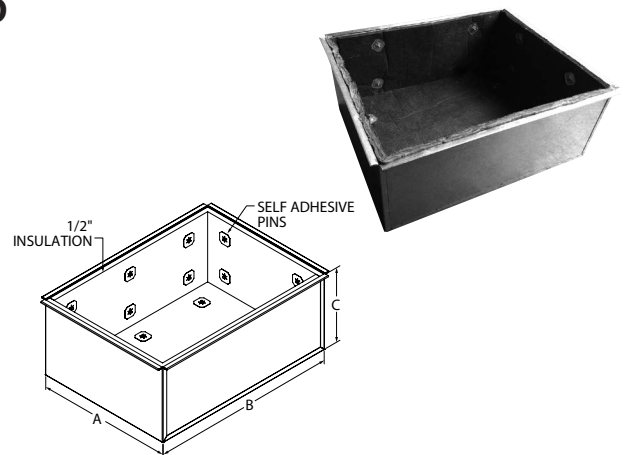


FURNACE PLENUMS — 1/2" INSULATED — 3 SIDED

8 Plenum

ITEM #	SIZE (")	A (")	B (")	C (")	CTN/QTY	WT/100
010352	14-1/2 × 20	14-1/2	20	8	*	650
010344	16 × 25	16	25	8	*	800
010350	16-1/2 × 20	16-1/2	20	8	*	700
010348	20 × 20	20	20	8	*	775
010340	20 × 25	20	25	8	*	925

*Product shipped individually.



- E.&O.E. - Subject to Change Without Notice - May Not Be Available At All Locations -

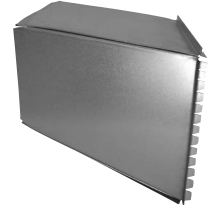
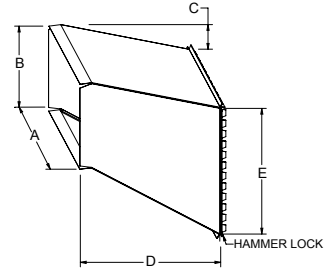


BASE CANS, PLENUMS, FILTER FRAMES AND BASES

PLENUM TAKE OFFS (UNASSEMBLED)

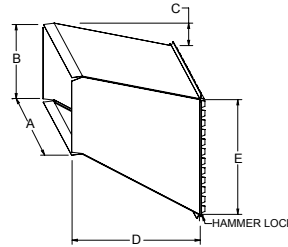
4" Rise

ITEM #	SIZE (")	A (")	B (")	C (")	D (")	E (")	CTN/QTY	WT/100
010885	8 x 8	8	8	4	12	12	10	340
011085	10 x 8	10	8	4	12	12	10	380
011285	12 x 8	12	8	4	12	12	10	410
011485	14 x 8	14	8	4	12	12	10	450
011685	16 x 8	16	8	4	12	12	10	480
011885	18 x 8	18	8	4	12	12	10	520
012085	20 x 8	20	8	4	12	12	10	550
012510	10 x 10	10	10	4	12	15	10	420
012512	12 x 10	12	10	4	12	15	10	440
012514	14 x 10	14	10	4	12	15	10	480
012516	16 x 10	16	10	4	12	15	10	470
012518	18 x 10	18	10	4	12	15	10	540
012520	20 x 10	20	10	4	12	15	10	560



2" Rise

ITEM #	SIZE (")	A (")	B (")	C (")	D (")	E (")	CTN/QTY	WT/100
010882	8 x 8	8	8	2	12	12	10	330
011082	10 x 8	10	8	2	12	12	10	340
011282	12 x 8	12	8	2	12	12	10	380
011482	14 x 8	14	8	2	12	12	10	420
011682	16 x 8	16	8	2	12	12	10	460
011882	18 x 8	18	8	2	12	12	10	460
012082	20 x 8	20	8	2	12	12	10	500



- E.&O.E. - Subject to Change Without Notice - May Not Be Available At All Locations -

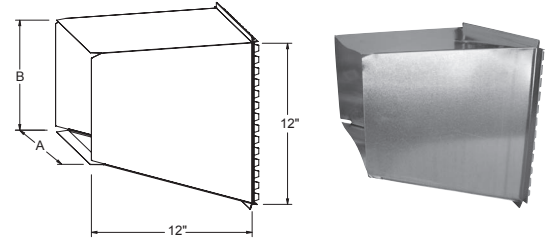


BASE CANS, PLENUMS, FILTER FRAMES AND BASES

PLENUM TAKE OFFS (UNASSEMBLED) *(cont'd)*

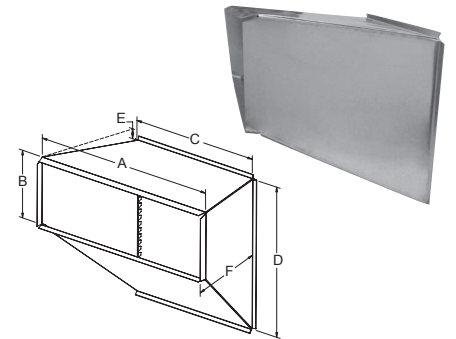
Straight

ITEM #	SIZE (")	A (")	B (")	CTN/QTY	WT/100
011080	10 × 8	10	8	10	330
011280	12 × 8	12	8	10	360
011480	14 × 8	14	8	10	390
011680	16 × 8	16	8	10	420
011880	18 × 8	18	8	10	450
012080	20 × 8	20	8	10	480
012517	18 × 10	20	10	10	460



Tapered — 4" Rise

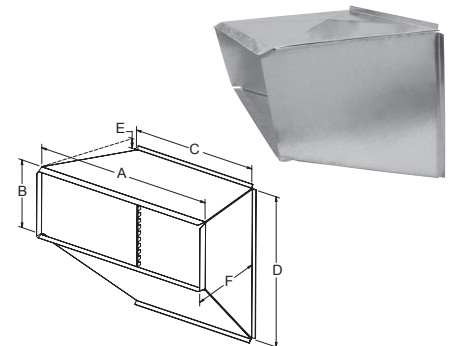
ITEM #	SIZE (")	A (")	B (")	C (")	D (")	E (")	F (")	CTN/QTY	WT/100
011487	14 × 8 to 12 × 14	14	8	12	14	4	12	10	420
011687	16 × 8 to 12 × 16	16	8	12	16	4	12	10	460
011887	18 × 8 to 12 × 18	18	8	12	18	4	15	10	500
012090	20 × 8 to 14 × 18	20	8	14	18	4	15	10	530
012087	20 × 8 to 16 × 15	20	8	16	15	4	15	10	540
012290	22 × 8 to 14 × 18	22	8	14	18	4	15	10	570
012490	24 × 8 to 14 × 20	24	8	14	20	4	15	10	570
012287	22 × 8 to 17 × 15	22	8	17	15	4	15	10	560
012487	24 × 8 to 18 × 16	24	8	18	16	4	15	10	580
012534	14 × 10 to 12 × 18	14	10	12	18	4	15	10	450
011490	14 × 12 to 14 × 18	14	12	14	18	4	15	10	560



NOTE: All parts sold unassembled.

Tapered — 2" Rise

ITEM #	SIZE (")	A (")	B (")	C (")	D (")	E (")	F (")	CTN/QTY	WT/100
011698	16 × 8 to 12 × 14	16	8	12	14	2	12	10	440
011691	16 × 8 to 12 × 16	16	8	12	16	2	12	10	460
011898	18 × 8 to 12 × 16	18	8	12	16	2	12	10	500
011888	18 × 8 to 12 × 18	18	8	12	18	2	15	10	500
012095	20 × 8 to 12 × 18	20	8	12	18	2	15	10	530
012088	20 × 8 to 16 × 15	20	8	16	15	2	15	10	540
012091	20 × 8 to 14 × 18	20	8	14	18	2	15	10	530



NOTE: All parts sold unassembled.

– E.&O.E. – Subject to Change Without Notice – May Not Be Available At All Locations –

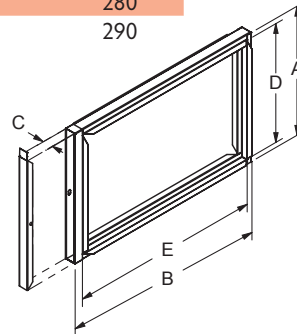


BASE CANS, PLENUMS, FILTER FRAMES AND BASES

FILTER FRAMES — 1" WIDE WITH DOOR

ITEM #	SIZE (")	A (")	B (")	C (")	D (")	E (")	CTN/QTY	WT/100
599640	14 × 25 × 1	14	25	1-1/4	12-3/4	23-1/4	*	258
599627	16 × 20 × 1	16	20	1-1/4	14-3/4	18-1/4	*	270
599629	16 × 25 × 1	16	25	1-1/4	14-3/4	23-1/4	*	280
599642	16-3/4 × 25 × 1	16-3/4	25	1-1/4	14-3/4	23-1/4	*	290
599628	20 × 20 × 1	20	20	1-1/4	18-3/4	18-1/4	*	280
599641	20 × 25 × 1	20	25	1-1/4	18-3/4	23-1/4	*	290

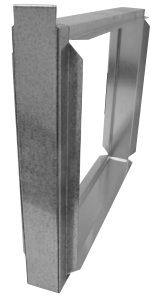
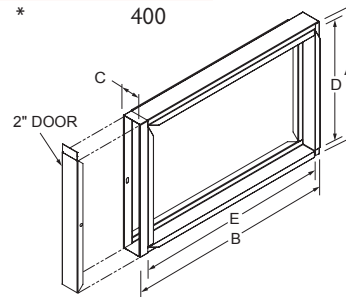
*Product shipped individually.



FILTER FRAMES — 2" WIDE WITH 2" DOOR

ITEM #	SIZE (")	A (")	B (")	C (")	D (")	E (")	CTN/QTY	WT/100
599612	16 × 20 × 2	16	20	2	14-3/4	18-1/4	*	365
599614	16 × 25 × 2	16	25	2	14-3/4	23-1/4	*	380
599613	20 × 20 × 2	20	20	2	18-3/4	18-1/4	*	380
599615	20 × 25 × 2	20	25	2	18-3/4	23-1/4	*	400

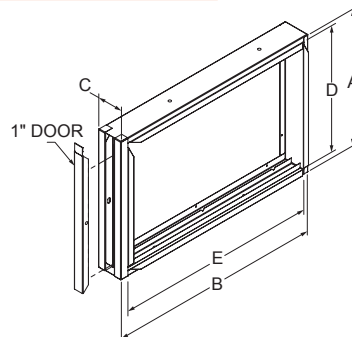
*Product shipped individually.



FILTER FRAMES — 3" WIDE WITH 1" DOOR

ITEM #	SIZE (")	A (")	B (")	C (")	D (")	E (")	CTN/QTY	WT/100
599633	16 × 25 × 3	16	25	3	14-3/4	23-1/4	*	500
599626	20 × 20 × 3	20	20	3	18-3/4	18-1/4	*	500
599634	20 × 25 × 3	20	25	3	18-3/4	23-1/4	*	540

*Product shipped individually.



–E.&O.E. – Subject to Change Without Notice – May Not Be Available At All Locations –

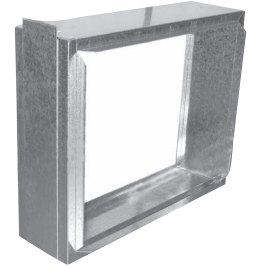
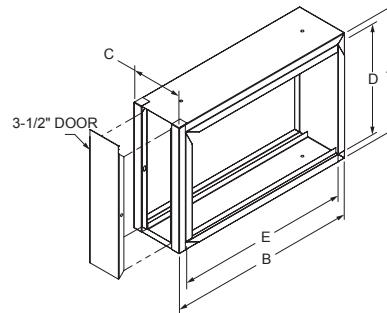


BASE CANS, PLENUMS, FILTER FRAMES AND BASES

FILTER FRAMES — 4-1/4" WIDE WITH 3-1/2" DOOR

ITEM #	SIZE (")	A (")	B (")	C (")	D (")	E (")	CTN/QTY	WT/100
599625	15 × 24 × 4-1/4	16-3/4	25-1/4	4-1/4	14-3/4	23-1/4	*	520

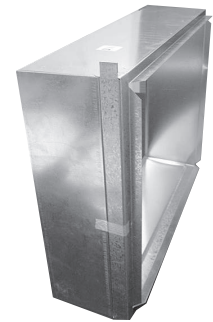
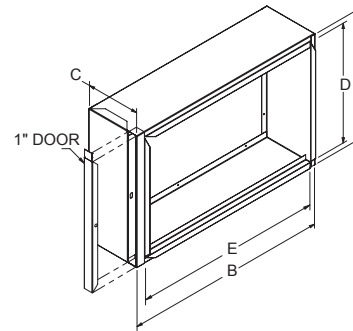
*Product shipped individually.



FILTER FRAMES — 6-3/4" WIDE WITH 1" DOOR

ITEM #	SIZE (")	A (")	B (")	C (")	D (")	E (")	CTN/QTY	WT/100
599635	16 × 25 × 6-3/4	16	25	6-3/4	14-3/4	23-1/4	*	720
599636	20 × 25 × 6-3/4	20	25	6-3/4	18-3/4	23-1/4	*	760

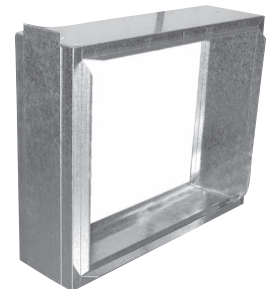
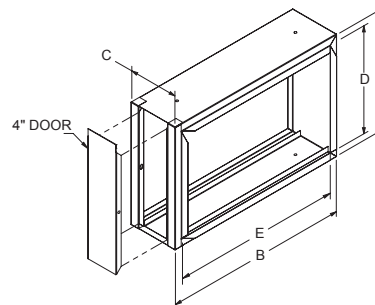
*Product shipped individually.



FILTER FRAMES — 6-3/4" WIDE WITH 4" DOOR

ITEM #	SIZE (")	A (")	B (")	C (")	D (")	E (")	CTN/QTY	WT/100
599637	16 × 25 × 6-3/4	16	25	6-3/4	14-1/4	22-3/4	*	600
599639	20 × 20 × 6-3/4	20	20	6-3/4	18-1/4	17-3/4	*	610
599638	20 × 25 × 6-3/4	20	25	6-3/4	16-1/4	22-3/4	*	650

*Product shipped individually.



– E.&O.E. – Subject to Change Without Notice – May Not Be Available At All Locations –

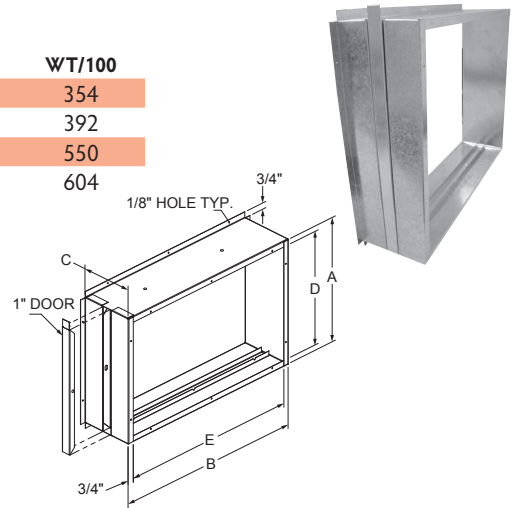


BASE CANS, PLENUMS, FILTER FRAMES AND BASES

FILTER FRAMES — FLANGE OUT AT 90 WITH 1" DOOR

ITEM #	SIZE (")	A (")	B (")	C (")	D (")	E (")	CTN/QTY	WT/100
599586	16 × 25 × 3	16	25	3	14-1/2	23-1/2	*	354
599588	20 × 25 × 3	20	25	3	18-1/2	23-1/2	*	392
599596	16 × 25 × 6	16	25	6-3/4	14-1/2	23-1/2	*	550
599598	20 × 25 × 6	20	25	6-3/4	18-1/2	23-1/2	*	604

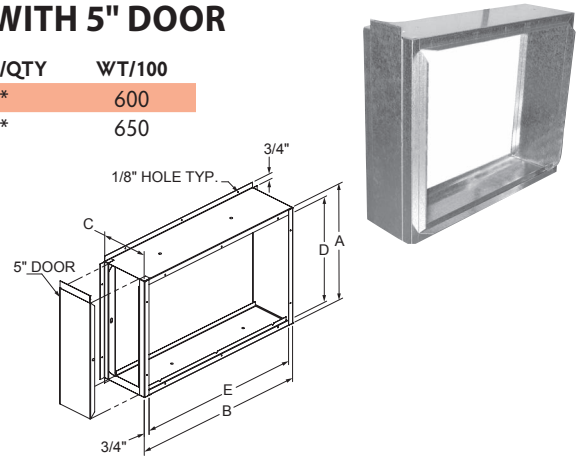
*Product shipped individually.



FILTER FRAMES — 6-3/4" WIDE, FLANGE OUT AT 90 WITH 5" DOOR

ITEM #	SIZE (")	A (")	B (")	C (")	D (")	E (")	CTN/QTY	WT/100
599647	16 × 25 × 6-3/4	16	25	6-3/4	14-1/2	23-1/2	*	600
599648	20 × 25 × 6-3/4	20	25	6-3/4	18-1/2	23-1/2	*	650

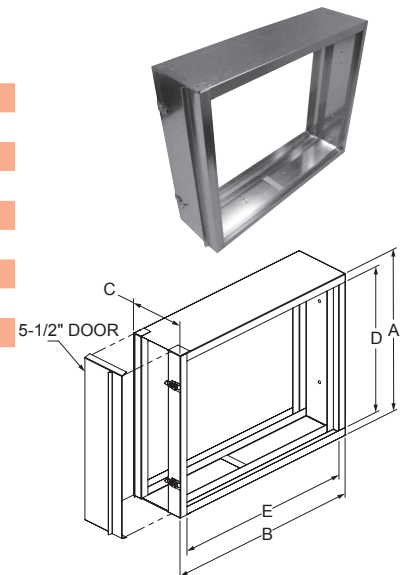
*Product shipped individually.



FILTER FRAMES — 7" WIDE WITH CLIP ON DOOR

ITEM #	SIZE (")	A (")	B (")	C (")	D (")	E (")	CTN/QTY	WT/100
599534	14 × 20 × 7	14	20	7	12	18	*	455
599544	14 × 25 × 7	14	25	7	12	23	*	568
599536	16 × 20 × 7	16	20	7	14	18	*	520
599546	16 × 25 × 7	16	25	7	14	23	*	650
599530	20 × 14 × 7	20	14	7	18	12	*	455
599532	20 × 16 × 7	20	16	7	18	14	*	520
599540	20 × 20 × 7	20	20	7	18	18	*	650
599548	20 × 25 × 7	20	25	7	18	23	*	812
599542	25 × 20 × 7	25	20	7	23	18	*	812

*Product shipped individually.



-E.&O.E. - Subject to Change Without Notice - May Not Be Available At All Locations -

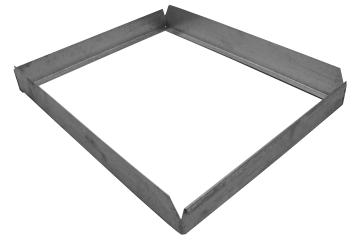
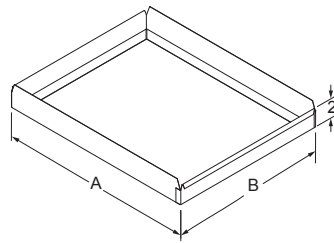


BASE CANS, PLENUMS, FILTER FRAMES AND BASES

DUCT TRANSITIONS — AIR CLEANERS

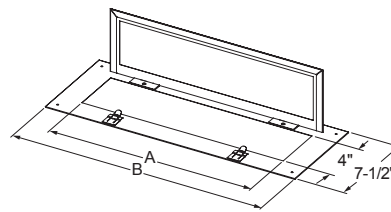
ITEM #	SIZE (")	A (")	B (")	CTN/QTY	WT/100
599618	16 × 20	16	16	*	148

*Product shipped individually.



FILTER ACCESS DOORS

ITEM #	SIZE (")	A (")	B (")	CTN/QTY	WT/100
599622	16	16-1/8	20	25	175
599624	20	20-1/8	24	25	200

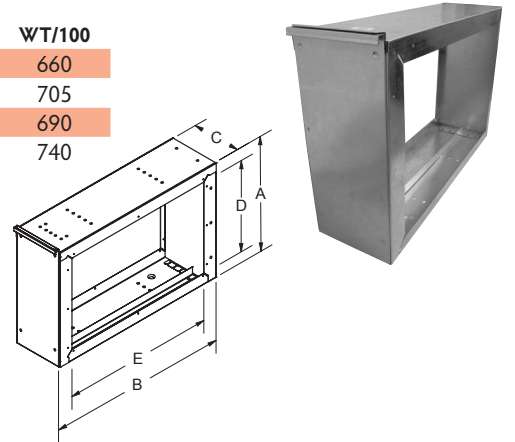


DEDICATED ELECTRONIC AIR CLEANER FILTER FRAMES (HONEYWELL)

ITEM #	SIZE	A (")	B (")	C (")	D (")	E (")	CTN/QTY	WT/100
599643	16 × 20 × 7	16-3/4	21-3/8	7-3/8	13-3/8	17-1/4	*	660
599644	16 × 25 × 7	16-3/4	26-3/8	7-3/8	13-3/8	22-1/4	*	705
599645	20 × 20 × 7	20-3/4	21-3/8	7-3/8	17-3/8	17-1/4	*	690
599646	20 × 25 × 7	20-3/4	26-3/8	7-3/8	17-3/8	22-1/4	*	740

*Product shipped individually.

NOTE: Designed as a spacer to accept standard Pleated Filters up to 6" wide. Also accepts Electronic Air Cleaners.

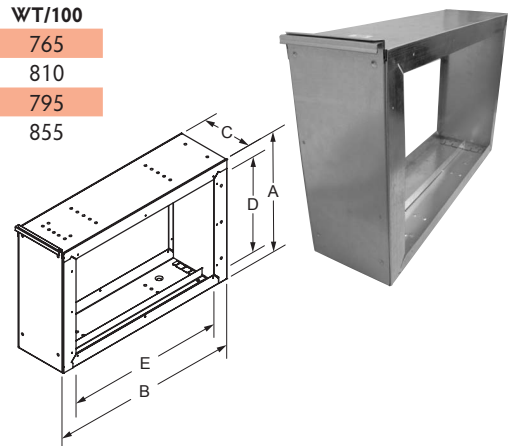


DEDICATED ELECTRONIC AIR CLEANER FILTER FRAMES (WHITE-RODGERS)

ITEM #	SIZE	A (")	B (")	C (")	D (")	E (")	CTN/QTY	WT/100
599663	16 × 20 × 7	16-3/4	21-3/8	7-3/8	13-3/8	17-1/4	*	765
599664	16 × 25 × 7	16-3/4	26-3/8	7-3/8	13-3/8	22-1/4	*	810
599665	20 × 20 × 7	20-3/4	21-3/8	7-3/8	17-3/8	17-1/4	*	795
599666	20 × 25 × 7	20-3/4	26-3/8	7-3/8	17-3/8	22-1/4	*	855

*Product shipped individually.

NOTE: Designed as a spacer to accept standard Pleated Filters up to 6" wide. Also accepts Electronic Air Cleaners.



– E.&O.E. – Subject to Change Without Notice – May Not Be Available At All Locations –

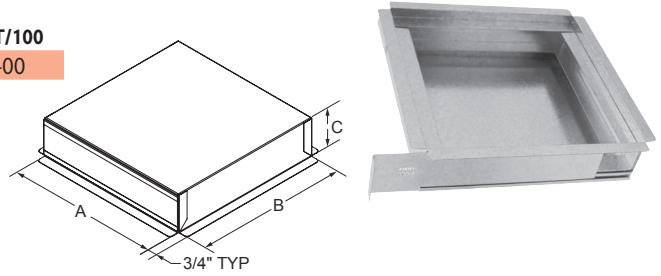


BASE CANS, PLENUMS, FILTER FRAMES AND BASES

FILTER BASE — FRESH AIR

ITEM #	SIZE (")	A (")	B (")	C (")	CTN/QTY	WT/100
599342	12 × 12	12	12	1	*	400

*Product shipped individually.

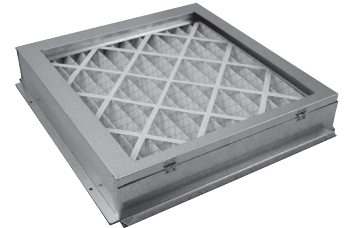


FILTER BASES

1" – 2"

ITEM #	SIZE (")	A (")	B (")	C (")	D (")	E (")	CTN/QTY	WT/100
599354	14 × 25	14-3/8	28-5/8	11-3/4	24	4	*	900
599356	16 × 25	17-5/8	28-5/8	14-1/2	24	4	*	1050
599360	20 × 25	21-5/8	28-5/8	18	24	4	*	1150
599364	24 × 24	24-5/8	28-5/8	21	23-1/8	4	*	1200

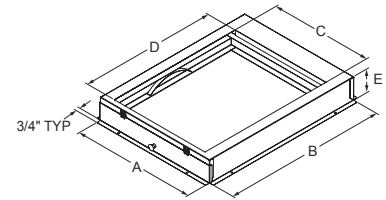
*Product shipped individually.



1" – 4"

ITEM #	SIZE (")	A (")	B (")	C (")	D (")	E (")	CTN/QTY	WT/100
599454	14 × 25	14-3/8	28-5/8	11-3/4	24	6	*	1050
599456	16 × 25	17-5/8	28-5/8	14-1/2	24	6	*	1175
599460	20 × 25	21-5/8	28-5/8	18	24	6	*	1400
599464	24 × 24	24-5/8	28-5/8	21	23-1/8	6	*	1375

*Product shipped individually.

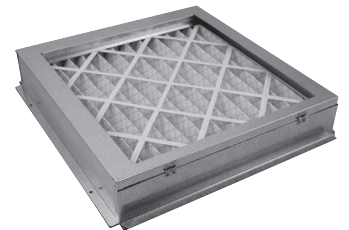


FILTER BASES — FAN COIL

1" – 2"

ITEM #	SIZE (")	A (")	B (")	C (")	D (")	E (")	CTN/QTY	WT/100
599384	14 × 20	14-1/4	22	11-3/4	18-7/8	4	*	700
599386	16 × 20	17-1/2	22	13-7/8	18-7/8	4	*	850
599390	20 × 20	21	22	17-3/8	18-7/8	4	*	925
599392	20 × 20 A	23-1/2	22	18-1/2	19	4	*	1031
599395	25 × 20 Wide	25-3/8	22-1/8	22-1/2	19	4	*	1000
599399	20 × 25 Narrow	21-1/2	25	19-1/2	21-1/2	4	*	925

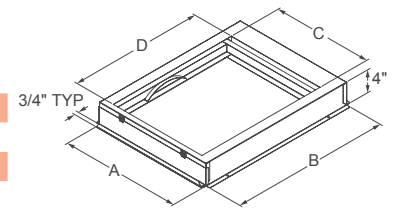
*Product shipped individually.



1" – 4"

ITEM #	SIZE (")	A (")	B (")	C (")	D (")	E (")	CTN/QTY	WT/100
599486	16 × 20	17-1/2	22	13-7/8	18-7/8	6	*	1100
599490	20 × 20	21	22	17-7/8	18-7/8	6	*	1175
599495	25 × 20 Wide	25-3/8	22-1/8	22-1/2	19	6	*	1250
599500	20 × 25 Narrow	21-1/2	25	19-1/2	21-1/2	6	*	1200

*Product shipped individually.



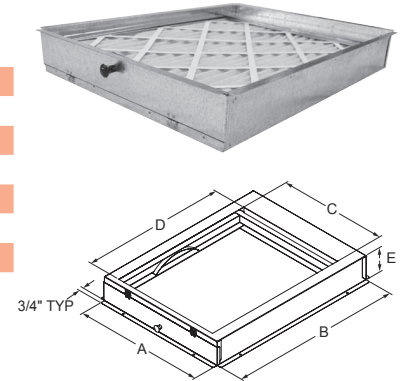
– E.&O.E. – Subject to Change Without Notice – May Not Be Available At All Locations –

FILTER BASES — MULTI-POSITION

1" - 2"

ITEM #	SIZE (")	A (")	B (")	C (")	D (")	E (")	CTN/QTY	WT/100
599424	14 × 25	14-1/4	25-1/4	11-3/4	23	4	*	800
599426	16 × 25	17-5/8	25-1/4	15-1/8	23	4	*	850
599430	20 × 25	21-5/8	25-1/4	19-1/8	23	4	*	950
599434	24 × 24	24-5/8	25-1/4	22-1/8	23	4	*	1000
599444	14 × 28	14-3/8	28-5/8	11-3/4	24	4	*	900
599446	16 × 28	17-5/8	28-5/8	14-1/2	24	4	*	1050
599450	20 × 28	21-5/8	28-5/8	18	24	4	*	1150

*Product shipped individually.

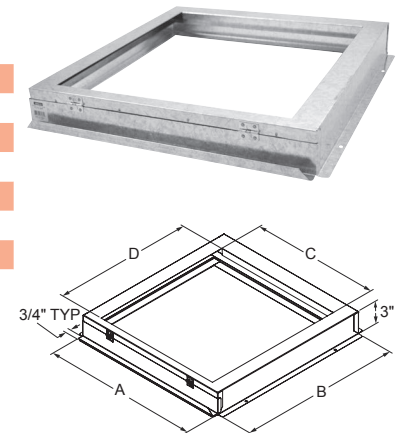


FILTER BASES — ECONOMY

1"

ITEM #	MODEL	SIZE (")	A (")	B (")	C (")	D (")	CTN/QTY	WT/100
599503	1425	14 × 25	14-3/8	28-5/8	11-3/4	24	*	550
599506	1625	16 × 25	17-5/8	28-5/8	14-1/2	24	*	600
599504	2025	20 × 25	21-5/8	28-5/8	18	24	*	640
599505	2424	24 × 24	24-5/8	28-5/8	21	23-1/8	*	700
599508	1620-FC	16 × 20	17-1/2	22	13-7/8	18-7/8	*	500
599510	2020-FC	20 × 20	21	22	17-3/8	18-7/8	*	550
599515	2520-FCW	25 × 20 Wide	25-3/8	22-1/8	22-1/2	19	*	625
599518	2025-FCN	20 × 25 Narrow	22	25	19-1/2	21-1/2	*	640

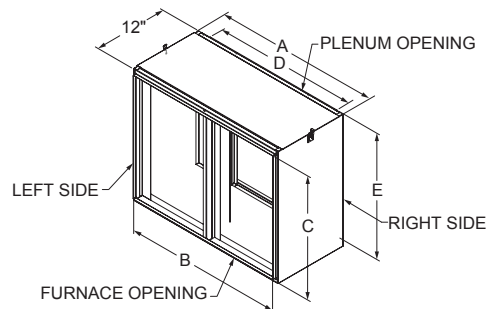
*Product shipped individually without carton.



FURNACE FILTER RACK — DOWNFLOW

ITEM #	MODEL	SIZE (")	A (")	B (")	C (")	D (")	E (")	CTN/QTY	WT/100
599332	DFA200	14 -1/2 × 21	14-1/2	13-3/4	19-3/4	12-3/4	20-1/4	*	1200
599333	DFA300	17-1/2 × 21	17-1/2	16-3/4	19-3/4	16-1/4	20-1/4	*	1400
599334	DFA400	22 × 21	22	21-1/4	19-3/4	20	20-1/4	*	1600
599335	DFA500	26-1/2 × 21	26-1/2	25-3/4	19-3/4	23-1/2	20-1/4	*	1800

*Product shipped individually without carton.



-E.&O.E. - Subject to Change Without Notice - May Not Be Available At All Locations -



www.eccomfg.com

Langley Distribution

19860 Fraser Highway
Langley, British Columbia
Canada V3A 4C9

Phone: 604-530-4151
Toll Free: 1-877-955-4805
Fax: 604-533-9335

Calgary Distribution

21 – 11150 38th Street, S.E.
Calgary, Alberta
Canada T2C 2Z6

Phone: 403-720-0895
Toll Free: 1-877-955-4815
Fax: 403-720-0897

Kent Distribution

20001 87th Ave. S, Bldg E
Kent, Washington
USA 98031

Phone: 253-872-3721
Toll Free: 1-800-207-6859
Fax: 253-872-3724

GALVANIZED PIPE AND Accessories



ECCO™ is proud to be a member of:



SMACNA
Sheet Metal and Air
Conditioning Contractors
National Association
www.smacna.org



HRAI
Heating, Refrigeration and
Air Conditioning
Institute of Canada
www.hrai.ca



HARDI
Heating, Air-conditioning
& Refrigeration
Distributors International
www.hardinet.org



ADI
Air
Distribution
Institute
www.steelduct.org



AD
Affiliated Distributors™
www.adhq.com



CME
Canadian
Manufacturers &
Exporters
www.cme-mec.ca



SPIDA
Spiral Duct
Manufacturers
Association
www.spida.org



GALVANIZED PIPE AND ACCESSORIES

INDEX

CONDUCTOR PIPE.....	A3-5	PIPE REDUCERS	
DRAW BANDS — 24 GAUGE.....	A3-14	LARGE END/LARGE END — CENTERLINE (C/L REDUCERS	
FLEX CONNECTORS — 26 GAUGE.....	A3-14	L/E - L/E).....	A3-10
OVAL END CAPS.....	A3-6	LARGE END/LARGE END — (C/L REDUCERS	
OVAL PIPE — 26 GAUGE.....	A3-5	L/E-L/E).....	A3-7 – A3-8
PIPE — SNAP LOCK		LARGE END/SMALL END (C/L).....	A3-8
24 GAUGE.....	A3-5	LARGE END/SMALL END — STRAIGHT ONE SIDE (S1S	
26 GAUGE.....	A3-4	REDUCERS L/E - S/E).....	A3-10
28 GAUGE.....	A3-4	SMALL END/SMALL END — CENTERLINE	
30 GAUGE.....	A3-3	(C/L REDUCERS S/E - S/E).....	A3-11
LIGHT GAUGE RESIDENTIAL.....	A3-3	SMALL END/SMALL END (C/L).....	A3-8
PIPE DAMPERS		SMALL END/SMALL END — STRAIGHT ONE SIDE (S1S	
DUAL STEM.....	A3-12	REDUCERS S/E - S/E).....	A3-9
GALVANIZED — HEAVY GAUGE.....	A3-12	PLUGS — CRIMPED — GALVANIZED.....	A3-13
SINGLE STEM.....	A3-12	PLUGS/TEE CAPS	
PIPE INCREASERS		FABRICATED.....	A3-13
26 GAUGE.....	A3-7	SPUN.....	A3-13
GALVANIZED SHORT.....	A3-7	WALL STACKS — OVAL.....	A3-6
SPUN GALVANIZED.....	A3-6		

LEGEND

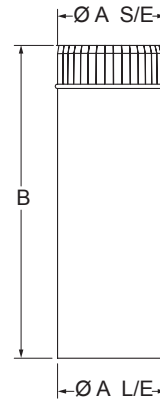
NOTE: The boxed columns throughout the tables are intended to provide a quick determination of ordering dimensions.

ABBREVIATIONS: CTN/QTY = Carton Quantity
 WT/100 = Weight per 100 Pieces
 WT/100 FT = Weight per 100 Feet
 FT/BNDL = Feet per Bundle

LIGHT GAUGE RESIDENTIAL PIPE — SNAP LOCK

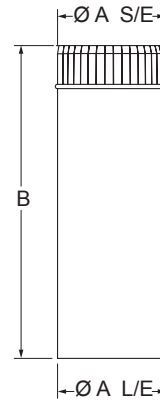
ITEM #	SIZE (")	A (")	B (")	FT/BNDL	WT/100 FT
110470	4 × 60	4	60	50	48
110570	5 × 60	5	60	75	59
110670	6 × 60	6	60	50	73
110571	5 × 101	5	101	*	59
110472	4 × 120	4	120	50	48
110572	5 × 120	5	120	50	59
110573	5 × 36	5	36	30	59
110672	6 × 120	6	120	50	73

*5 Lengths/Bndl



30 GAUGE PIPE — SNAP LOCK

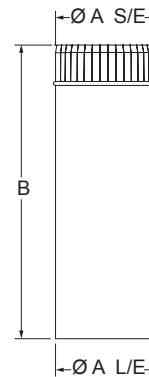
ITEM #	SIZE (")	A (")	B (")	FT/BNDL	WT/100 FT
110324	3 × 24	3	24	20	50
110424	4 × 24	4	24	20	64
110524	5 × 24	5	24	50	78
110624	6 × 24	6	24	50	92
110724	7 × 24	7	24	50	106
110824	8 × 24	8	24	50	119
111024	10 × 24	10	24	50	186
111224	12 × 24	12	24	50	216
111236	12 × 36	12	36	30	205
110336	3 × 36	3	36	30	50
110436	4 × 36	4	36	30	64
110536	5 × 36	5	36	30	78
110636	6 × 36	6	36	30	92
110736	7 × 36	7	36	30	106
110836	8 × 36	8	36	30	119
110936	9 × 36	9	36	30	142
111036	10 × 36	10	36	30	176
110360	3 × 60	3	60	25	50
110460	4 × 60	4	60	50	64
110560	5 × 60	5	60	50	78
110660	6 × 60	6	60	50	92
110760	7 × 60	7	60	50	106
110860	8 × 60	8	60	50	119
110960	9 × 60	9	60	50	142
111060	10 × 60	10	60	25	176
111260	12 × 60	12	60	25	205
111460	14 × 60	13-15/16	60	25	238
110312	3 × 120	3	120	50	50
110412	4 × 120	4	120	50	64
110512	5 × 120	5	120	50	78
110612	6 × 120	6	120	50	92
110712	7 × 120	7	120	50	106
110812	8 × 120	8	120	50	119



- E.&O.E. - Subject to Change Without Notice - May Not Be Available At All Locations -

28 GAUGE PIPE — SNAP LOCK

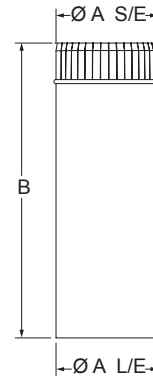
ITEM #	SIZE (")	A (")	B (")	FT/BNDL	WT/100 FT
110423	4 x 24	4	24	10	88
110303	3 x 36	3	36	15	70
110403	4 x 36	4	36	15	88
110503	5 x 36	5	36	30	108
110603	6 x 36	6	36	30	128
110703	7 x 36	7	36	30	147
110803	8 x 36	8	36	30	166
110443	4 x 48	4	48	20	88
110543	5 x 48	5	48	40	108
110643	6 x 48	6	48	40	128
110743	7 x 48	7	48	40	147
110843	8 x 48	8	48	40	166
110463	4 x 60	4	60	20	88
110563	5 x 60	5	60	50	108
110663	6 x 60	6	60	50	128
110763	7 x 60	7	60	25	147
110863	8 x 60	8	60	25	166
110963	9 x 60	9	60	25	186



ITEM #	SIZE (")	A (")	B (")	FT/BNDL	WT/100 FT
111063	10 x 60	10	60	25	206
111263	12 x 60	12	60	25	244
111463	14 x 60	13-15/16	60	25	283

26 GAUGE PIPE — SNAP LOCK

ITEM #	SIZE (")	A (")	B (")	FT/BNDL	WT/100 FT
530316	3 x 24	3	24	10	81
530416	4 x 24	4	24	10	103
530516	5 x 24	5	24	20	126
530616	6 x 24	6	24	20	148
530716	7 x 24	7	24	20	170
530816	8 x 24	8	24	20	193
531016	10 x 24	10	24	20	252
531216	12 x 24	12	24	20	300
531416	14 x 24	13-15/16	24	20	346
531616	16 x 24	15-15/16	24	20	395
531816	18 x 24	17-7/8	24	20	440
530326	3 x 36	3	36	15	81
530426	4 x 36	4	36	15	103
530526	5 x 36	5	36	30	126
530626	6 x 36	6	36	30	148
530726	7 x 36	7	36	30	170
530826	8 x 36	8	36	30	193
530926	9 x 36	9	36	30	215
531026	10 x 36	10	36	30	239
531126	11 x 36	11	36	30	260
531226	12 x 36	12	36	30	284
531326	13 x 36	12-15/16	36	30	305
531426	14 x 36	13-15/16	36	30	328
531626	16 x 36	15-15/16	36	30	375
531818	18 x 36	17-7/8	36	30	530
530844	8 x 48	8	48	20	193
530944	9 x 48	9	48	20	215
531044	10 x 48	10	48	20	239
531244	12 x 48	12	48	20	284
531444	14 x 48	13-15/16	48	20	328
531648	16 x 48	15-15/16	48	20	380
531848	18 x 48	17-7/8	48	20	428

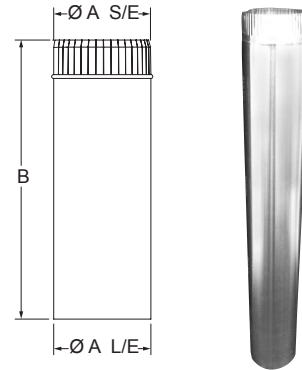


ITEM #	SIZE (")	A (")	B (")	FT/BNDL	WT/100 FT
532048	20 x 48	19-7/8	48	20	474
530360	3 x 60	3	60	25	81
530460	4 x 60	4	60	25	103
530560	5 x 60	5	60	25	126
530660	6 x 60	6	60	25	148
530760	7 x 60	7	60	25	170
530860	8 x 60	8	60	25	193
530960	9 x 60	9	60	25	215
531060	10 x 60	10	60	25	239
531260	12 x 60	12	60	25	284
531460	14 x 60	13-15/16	60	25	328
531660	16 x 60	15-15/16	60	25	380
531860	18 x 60	17-7/8	60	25	428
532060	20 x 60	19-7/8	60	25	474
530486	4 x 120	4	120	50	103
530586	5 x 120	5	120	50	126
530686	6 x 120	6	120	50	148
530786	7 x 120	7	120	50	170
530886	8 x 120	8	120	50	193

- E.&O.E. - Subject to Change Without Notice - May Not Be Available At All Locations -

24 GAUGE PIPE — SNAP LOCK

ITEM #	SIZE (")	A (")	B (")	FT/BNDL	WT/100 FT
530514	5 × 24	5	24	20	160
530614	6 × 24	6	24	20	189
530714	7 × 24	7	24	20	217
530814	8 × 24	8	24	20	246
530914	9 × 24	9	24	20	275
531014	10 × 24	10	24	20	305
531214	12 × 24	12	24	20	362
531414	14 × 24	13-15/16	24	20	419
530524	5 × 36	5	36	30	160
530624	6 × 36	6	36	30	189
530724	7 × 36	7	36	30	217
530824	8 × 36	8	36	30	246
530924	9 × 36	9	36	30	289
531024	10 × 36	10	36	30	305
531224	12 × 36	12	36	30	362
531424	14 × 36	13-15/16	36	30	419
531824	18 × 36	17-7/8	36	30	554
531644	16 × 48	15-15/16	48	20	485
531844	18 × 48	17-7/8	48	20	540
532044	20 × 48	19-7/8	48	20	605
530554	5 × 60	5	60	25	160
530654	6 × 60	6	60	25	189



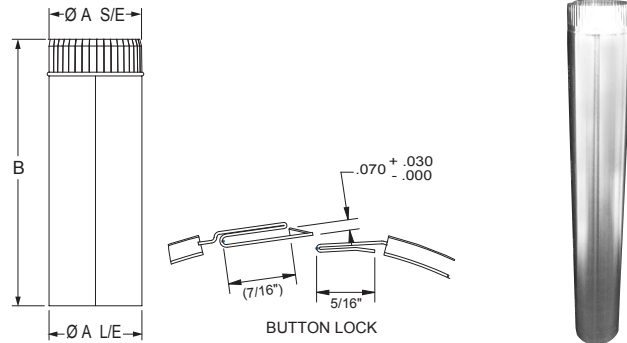
ITEM #	SIZE (")	A (")	B (")	FT/BNDL	WT/100 FT
530754	7 × 60	7	60	25	217
530854	8 × 60	8	60	25	246
530954	9 × 60	9	60	25	275
531054	10 × 60	10	60	25	305
531254	12 × 60	12	60	25	362
531454	14 × 60	13-15/16	60	25	419
531654	16 × 60	15-15/16	60	25	485
531854	18 × 60	17-7/8	60	25	540
532054	20 × 60	19-7/8	60	25	605

NOTE: 22 gauge and heavier pipe available upon request.

CONDUCTOR PIPE

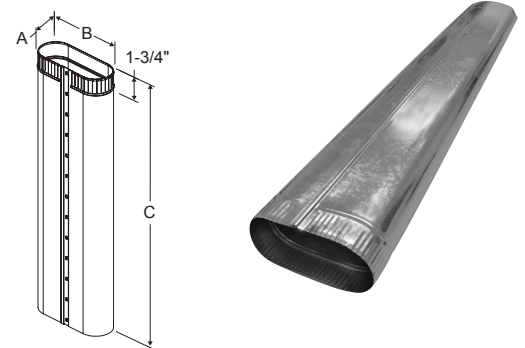
ITEM #	SIZE (")	A (")	B (")	FT/BNDL	WT/100 FT
532104	4 × 120	4	120	*	86
532105	5 × 120	5	120	*	105
532106	6 × 120	6	120	*	125
532107	7 × 120	7	120	*	145
532108	8 × 120	8	120	*	165

*Product shipped individually.



OVAL PIPE — 26 GAUGE

ITEM #	SIZE (")	A (")	B (")	C (")	FT/BNDL	WT/100 FT
532160	6 - (3 × 7-3/4) × 96	3	7-3/4	96	40	156
532170	7 - (3 × 9-1/4) × 96	3	9-1/4	96	40	180
532180	8 - (3 × 10-7/8) × 96	3	10-7/8	96	40	203

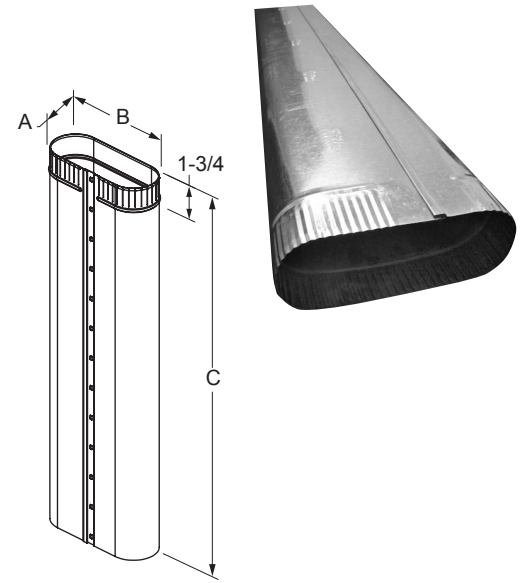


-E.&O.E. - Subject to Change Without Notice - May Not Be Available At All Locations -

WALL STACKS — OVAL

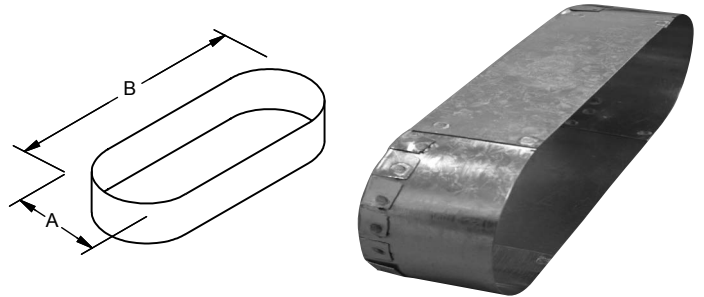
ITEM #	SIZE	A (")	B (")	C (")	FT/BNDL	WT/100 FT
111840	4 - (3 × 4-9/16) × 96	3	4-9/16	96	40	68
111648	5 - (3 × 6-1/8) × 60	3	6-1/8	60	25	80
111852	5 - (3 × 6-1/8) × 52	3	6-1/8	52	*	338
111854	5 - (3 × 6-1/8) × 100	3	6-1/8	100	*	650
111652	6 - (3 × 7-3/4) × 52	3	7-3/4	52	*	399
111658	6 - (3 × 7-3/4) × 60	3	7-3/4	60	25	92
111660	6 - (3 × 7-3/4) × 96	3	7-3/4	96	40	92
111661	6 - (3 × 7-3/4) × 100	3	7-3/4	100	*	780
111662	6 - (3 × 7-3/4) × 102	3	7-3/4	102	*	782
111663	6 - (3 × 7-3/4) × 104	3	7-3/4	104	*	836
111664	6 - (3 × 7-3/4) × 114	3	7-3/4	114	*	873
111665	6 - (3 × 7-3/4) × 120	3	7-3/4	120	*	918
111668	7 - (3 × 9-1/4) × 60	3	9-1/4	60	25	106
111670	7 - (3 × 9-1/4) × 96	3	9-1/4	96	40	106
111672	7 - (3 × 9-1/4) × 102	3	9-1/4	102	*	959
111675	7 - (3 × 9-1/4) × 120	3	9-1/4	120	*	1128
111678	8 - (3 × 10-7/8) × 60	3	10-7/8	60	25	119
111680	8 - (3 × 10-7/8) × 96	3	10-7/8	96	40	119
111682	8 - (3 × 10-7/8) × 102	3	10-7/8	102	*	1249
111685	8 - (3 × 10-7/8) × 120	3	10-7/8	120	*	1469

*5 Lengths/Bndl



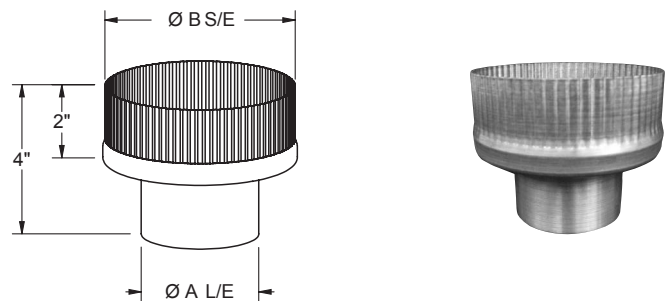
OVAL END CAPS

ITEM #	SIZE	A (")	B (")	CTN/QTY	WT/100
111804	4 - (3 × 4-5/8)	3	4-5/8	20	15
111805	5 - (3 × 6-1/8)	3	6-1/8	20	20
111806	6 - (3 × 7-3/4)	3	7-3/4	20	20
111807	7 - (3 × 9-1/4)	3	9-1/4	20	25
111808	8 - (3 × 10-7/8)	3	10-7/8	20	30



PIPE INCREASERS — SPUN GALVANIZED

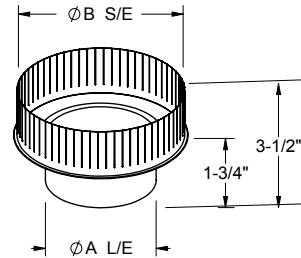
ITEM #	SIZE (")	A (")	B (")	CTN/QTY	WT/100
136210	3 - 4	3	4	20	25
136212	3 - 5	3	5	20	30
136214	3 - 6	3	6	20	40
136216	3 - 7	3	7	10	50
136213	4 - 5	4	5	20	32
136217	4 - 6	4	6	20	42
136219	4 - 7	4	7	10	50
136218	5 - 6	5	6	20	40
136220	5 - 7	5	7	10	55
136222	6 - 7	6	7	10	53
136226	6 - 8	6	8	10	66
136227	7 - 8	7	8	10	60



-E.&O.E. - Subject to Change Without Notice - May Not Be Available At All Locations -

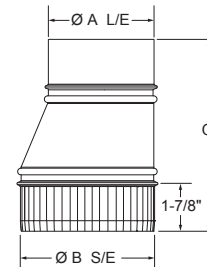
PIPE INCREASERS — GALVANIZED SHORT

ITEM #	SIZE (")	A (")	B (")	CTN/QTY	WT/100
136230	3-4	3	4	50	21
136231	3-5	3	5	50	26
136233	4-5	4	5	50	26
136234	4-6	4	6	50	32
136236	5-6	5	6	50	32



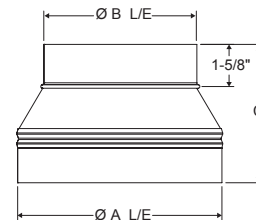
PIPE INCREASERS — 26 GAUGE

ITEM #	SIZE (")	A (")	B (")	C (")	GA	CTN/QTY	WT/100
526526	3-4	3	4	7-1/2	26	20	60
526426	3-5	3	5	8-1/2	26	20	85
526326	4-5	4	5	7-1/2	26	20	85
526226	4-6	4	6	8-1/2	26	20	90
526026	5-6	5	6	7-1/2	26	20	100



PIPE REDUCERS — LARGE END/LARGE END — (C/L REDUCERS L/E-L/E)

ITEM #	SIZE (")	A (")	B (")	C (")	GA	CTN/QTY	WT/100
136460	4-3	4	3	4-5/8	30	20	40
136461	5-3	5	3	5-5/8	30	20	45
136462	5-4	5	4	4-5/8	30	20	45
136464	6-4	6	4	5-5/8	30	20	50
136465	6-5	6	5	4-5/8	30	20	50
136468	7-5	7	5	5-5/8	30	20	60
136469	7-6	7	6	4-5/8	30	20	60
136472	8-5	8	5	6-5/8	30	20	75
136473	8-6	8	6	5-5/8	30	20	75
136474	8-7	8	7	4-5/8	30	20	75
136343	4-3	4	3	4-5/8	26	20	52
136353	5-3	5	3	5-5/8	26	20	58
136354	5-4	5	4	4-5/8	26	20	58
136363	6-3	6	3	6-5/8	26	20	65
136364	6-4	6	4	5-5/8	26	20	65
136365	6-5	6	5	4-5/8	26	20	65
136374	7-4	7	4	6-5/8	26	20	78
136375	7-5	7	5	5-5/8	26	20	78
136376	7-6	7	6	4-5/8	26	20	78
136384	8-4	8	4	7-1/2	26	20	130
136385	8-5	8	5	6-5/8	26	20	126
136386	8-6	8	6	5-5/8	26	20	122
136387	8-7	8	7	4-5/8	26	20	118
136396	9-6	9	6	6-5/8	26	20	170
136397	9-7	9	7	5-5/8	26	20	160
136398	9-8	9	8	4-5/8	26	20	155
136406	10-6	10	6	7-1/2	26	20	191
136407	10-7	10	7	6-5/8	26	20	194

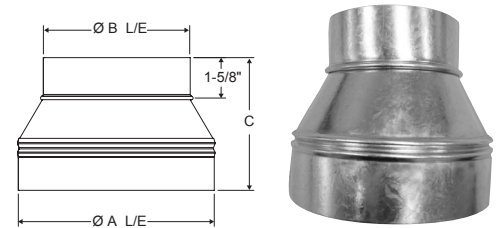


(cont'd on next page)

-E.&O.E. - Subject to Change Without Notice - May Not Be Available At All Locations -

PIPE REDUCERS — LARGE END/LARGE END — (C/L REDUCERS L/E-L/E) (cont'd)

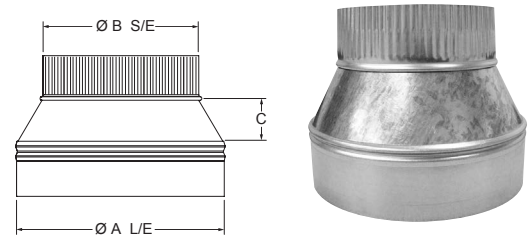
ITEM #	SIZE (")	A (")	B (")	C (")	GA	CTN/QTY	WT/100
136408	10 - 8	10	8	5-5/8	26	20	188
136409	10 - 9	10	9	4-5/8	26	20	177
136417	12 - 7	12	7	7-1/2	26	20	280
136418	12 - 8	12	8	7-1/2	26	20	272
136419	12 - 9	12	9	6-5/8	26	20	256
136420	12 - 10	12	10	5-5/8	26	20	237
136428	14 - 8	13-15/16	8	9-1/2	26	20	180
136430	14 - 10	13-15/16	10	7-1/2	26	20	280
136432	14 - 12	13-15/16	12	5-5/8	26	20	255
136440	16 - 10	15-15/16	10	9-1/2	26	*	230
136442	16 - 12	15-15/16	12	7-1/2	26	*	410
136444	16 - 14	15-15/16	13-15/16	5-5/8	26	*	290
136452	18 - 12	17-7/8	12	9-1/2	26	*	290
136454	18 - 14	17-7/8	13-15/16	7-1/2	26	*	250
136456	18 - 16	17-7/8	15-15/16	5-5/8	26	*	330
136458	20 - 18	20	18	5-5/8	26	*	306



*Product shipped individually.

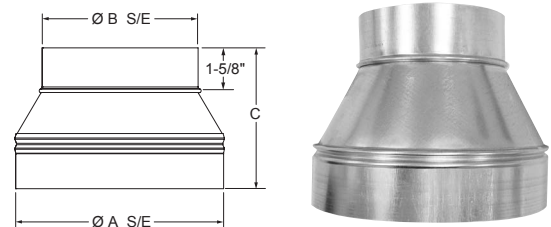
PIPE REDUCERS — LARGE END/SMALL END (C/L)

ITEM #	SIZE (")	A (")	B (")	C (")	GA	CTN/QTY	WT/100
136240	6 - 4	6	4	3	28	20	40
136241	6 - 5	6	5	3	28	20	40
136247	8 - 6	8	6	3	28	20	50
136250	10 - 6	10	6	3	28	20	60
136252	10 - 8	10	8	3	28	20	60
136256	12 - 8	12	8	3	28	20	70
136258	12 - 10	12	10	3	28	20	70
136325	7 - 5	7	5	3	26	20	70
136260	10 - 8	10	8	3	26	20	100



PIPE REDUCERS — SMALL END/SMALL END (C/L)

ITEM #	SIZE (")	A (")	B (")	C (")	GA	CTN/QTY	WT/100
136270	5 - 4	5	4	3	26	20	50
136275	7 - 5	7	5	3	26	20	70
136287	8 - 7	8	7	3	26	20	80



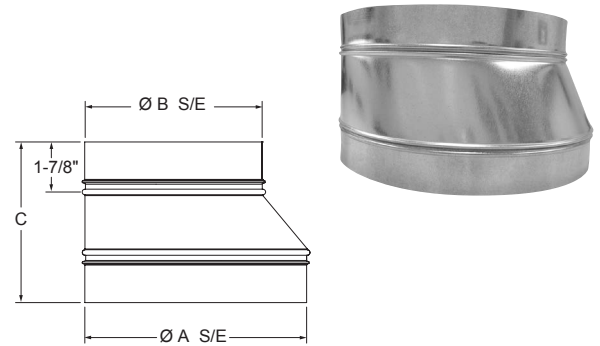
-E.&O.E. - Subject to Change Without Notice - May Not Be Available At All Locations -



GALVANIZED PIPE AND ACCESSORIES

PIPE REDUCERS — SMALL END/SMALL END — STRAIGHT ONE SIDE (S1S REDUCERS S/E - S/E)

ITEM #	SIZE (")	A (")	B (")	C (")	GA	CTN/QTY	WT/100
510107	4-3	4	3	7-3/8	28	20	80
510106	5-3	5	3	8-1/2	28	20	100
510104	5-4	5	4	7-5/8	28	20	100
510102	6-4	6	4	8-1/2	28	20	110
510101	6-5	6	5	7-3/8	28	20	100
510098	7-5	7	5	8-1/2	28	10	140
510097	7-6	7	6	7-1/4	28	10	130
510095	8-4	8	4	13	28	10	160
510094	8-5	8	5	10-3/4	28	10	170
510093	8-6	8	6	8-5/8	28	10	160
510092	8-7	8	7	7-1/2	28	10	150
510088	9-6	9	6	10-3/4	28	10	180
510087	9-7	9	7	8-5/8	28	10	205
510086	9-8	9	8	7-5/8	28	10	200
510082	10-6	10	6	13	28	10	200
510081	10-7	10	7	10-3/4	28	10	210
510080	10-8	10	8	8-1/2	28	10	199
510075	10-9	10	9	7-3/4	28	10	199
510070	12-8	12	8	13	28	10	309
510065	12-9	12	9	10-3/4	28	10	312
510060	12-10	12	10	8-1/2	28	10	312
510057	14-8	13-15/16	8	17	28	10	300
510055	14-10	13-15/16	10	13	28	10	311
510050	14-12	13-15/16	12	8-3/4	28	10	340
510047	16-10	15-15/16	10	17-3/8	28	*	400
510045	16-12	15-15/16	12	13	26	*	539
510040	16-14	15-15/16	13-15/16	8-3/4	26	*	507
510037	18-12	17-7/8	12	17-3/8	26	*	500
510035	18-14	17-7/8	13-15/16	13-1/8	26	*	920
510030	18-16	17-7/8	15-15/16	8-7/8	26	*	932
510027	20-14	19-7/8	13-15/16	17-1/2	24	*	600
510025	20-16	19-7/8	15-15/16	13-1/8	24	*	998
510020	20-18	19-7/8	17-7/8	8-3/4	24	*	829
510017	22-16	21-7/8	15-15/16	17-3/8	24	*	700
510015	22-18	21-7/8	17-7/8	12-7/8	24	*	1116
510010	22-20	21-7/8	19-7/8	8-1/2	24	*	948
510007	24-18	23-7/8	17-7/8	17-1/8	24	*	800
510005	24-20	23-7/8	19-7/8	12-3/4	24	*	1192
510000	24-22	23-7/8	21-7/8	8-1/2	24	*	1058

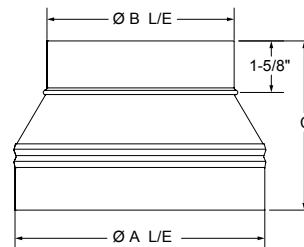


*Product shipped individually.

-E.&O.E. - Subject to Change Without Notice - May Not Be Available At All Locations -

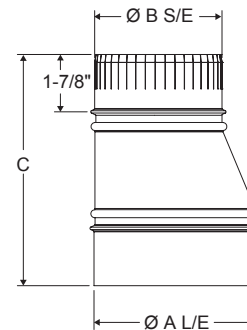
PIPE REDUCERS — LARGE END/LARGE END — CENTERLINE (C/L REDUCERS L/E - L/E)

ITEM #	SIZE (")	A (")	B (")	C (")	GA	CTN/QTY	WT/100
511104	5 - 4	5	4	4-5/8	24	20	75
511102	6 - 4	6	4	5-5/8	24	20	84
511101	6 - 5	6	5	4-5/8	24	20	84
511098	7 - 5	7	5	5-5/8	24	20	100
511097	7 - 6	7	6	4-5/8	24	20	100
511093	8 - 6	8	6	5-5/8	24	20	152
511092	8 - 7	8	7	4-5/8	24	20	152



PIPE REDUCERS — LARGE END/SMALL END — STRAIGHT ONE SIDE (S1S REDUCERS L/E - S/E)

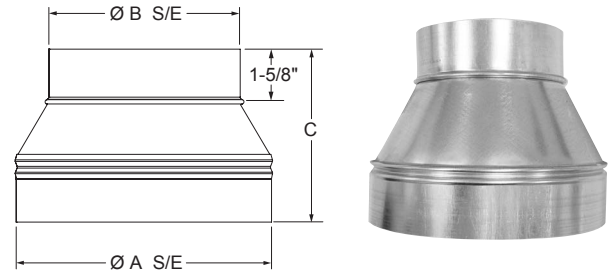
ITEM #	SIZE (")	A (")	B (")	C (")	GA	CTN/QTY	WT/100
523526	4 - 3	4	3	7-1/2	28	20	60
523426	5 - 3	5	3	8-1/2	28	20	60
523326	5 - 4	5	4	7-1/2	28	20	85
523126	6 - 4	6	4	8-1/2	28	20	110
523026	6 - 5	6	5	7-1/2	28	20	100
522926	7 - 5	7	5	8-1/2	28	10	140
522826	7 - 6	7	6	7-1/2	28	10	130
523226	8 - 4	8	4	12-3/4	28	10	190
522726	8 - 5	8	5	10-5/8	28	10	170
522626	8 - 6	8	6	8-1/2	28	10	160
522526	8 - 7	8	7	7-1/2	28	10	150
522326	9 - 6	9	6	10-5/8	28	10	179
522226	9 - 7	9	7	8-1/2	28	10	206
522126	9 - 8	9	8	6-1/2	28	10	201
522026	10 - 6	10	6	12-3/4	28	10	201
521926	10 - 7	10	7	10-5/8	28	10	210
521826	10 - 8	10	8	8-1/2	28	10	199
521726	10 - 9	10	9	6-1/2	28	10	191
521226	12 - 8	12	8	12-3/4	28	10	309
521126	12 - 9	12	9	10-5/8	28	10	312
521026	12 - 10	12	10	8-1/2	28	10	280
520626	14 - 8	13-15/16	8	17	28	10	300
520426	14 - 10	13-15/16	10	12-3/4	28	10	311
520226	14 - 12	13-15/16	12	8-1/2	28	10	340



NOTE: For Spiral Pipe application, order S/E-S/E.

PIPE REDUCERS — SMALL END/SMALL END — CENTERLINE (C/L REDUCERS S/E - S/E)

ITEM #	SIZE (")	A (")	B (")	C (")	GA	CTN/QTY	WT/100
510178	8-6	8	6	5-1/4	26	20	98
510175	10-6	10	6	7-1/4	26	20	110
510173	10-8	10	8	5-1/4	26	20	124
510170	12-6	12	6	9	26	20	124
510168	12-8	12	8	7-1/4	26	20	138
510166	12-10	12	10	5-1/4	26	20	150
510163	14-8	13-15/16	8	9	26	20	152
510161	14-10	13-15/16	10	7-1/4	26	20	164
510160	14-12	13-15/16	12	5-1/4	26	20	178
510157	16-10	15-15/16	10	9	26	*	206
510156	16-12	15-15/16	12	7-1/4	26	*	222
510155	16-14	15-15/16	13-15/16	5-1/4	26	*	238
510152	18-12	17-7/8	12	9	26	*	240
510151	18-14	17-7/8	13-15/16	7-1/4	26	*	256
510150	18-16	17-7/8	15-15/16	5-1/4	26	*	270
510147	20-14	19-7/8	13-15/16	9	24	*	344
510146	20-16	19-7/8	15-15/16	7-1/4	24	*	364
510145	20-18	19-7/8	17-7/8	5-1/4	24	*	384
510142	22-16	21-7/8	15-15/16	9	24	*	384
510141	22-18	21-7/8	17-7/8	7-1/4	24	*	404
510140	22-20	21-7/8	19-7/8	5-1/4	24	*	424
510137	24-18	23-7/8	17-7/8	9	24	*	424
510136	24-20	23-7/8	19-7/8	7-1/4	24	*	444
510135	24-22	23-7/8	21-7/8	5-1/4	24	*	464
510132	26-20	25-7/8	19-7/8	9	22	*	566
510131	26-22	25-7/8	21-7/8	7-1/4	22	*	590
510130	26-24	25-7/8	23-7/8	5-1/4	22	*	614
510127	28-22	27-7/8	21-7/8	9	22	*	614
510126	28-24	27-7/8	23-7/8	7-1/4	22	*	638
510125	28-26	27-7/8	25-7/8	5-1/4	22	*	664
510122	30-24	29-7/8	23-7/8	9	22	*	662
510121	30-26	29-7/8	25-7/8	7-1/4	22	*	688
510120	30-28	29-7/8	27-7/8	5-1/4	22	*	712



*Product shipped individually.

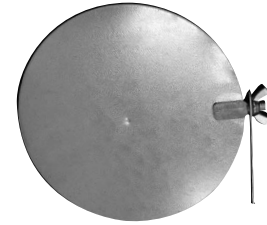
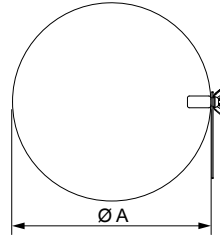
NOTE: Heavier gauges available upon request.



GALVANIZED PIPE AND ACCESSORIES

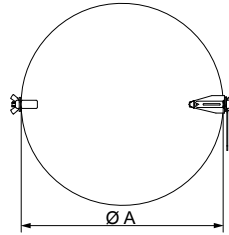
PIPE DAMPERS — SINGLE STEM

ITEM #	SIZE (")	A (")	CTN/QTY	WT/100
112600	3	2-11/16	50	10
112700	4	3-11/16	50	12
112800	5	4-11/16	50	16
112900	6	5-11/16	50	21
113000	7	6-11/16	50	27
113100	8	7-11/16	50	34



PIPE DAMPERS — DUAL STEM

ITEM #	SIZE (")	A (")	CTN/QTY	WT/100
114004	4	3-11/16	50	25
114005	5	4-11/16	50	31
114006	6	5-11/16	50	36
114007	7	6-11/16	50	43
114008	8	7-11/16	50	52
114009	9	8-11/16	50	60
114010	10	9-11/16	50	74
114012	12	11-11/16	30	122
114014	14	13-11/16	20	48
114016	16	15-11/16	25	56

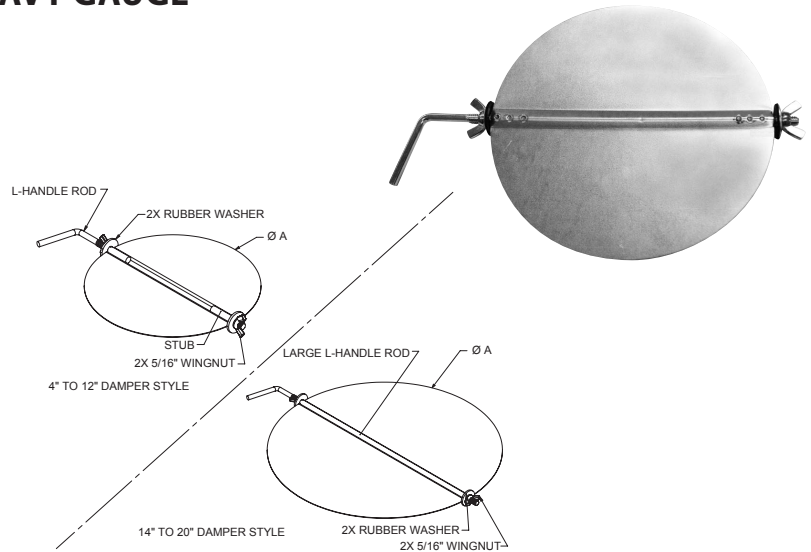


PIPE DAMPERS — GALVANIZED — HEAVY GAUGE

ITEM #	SIZE (")	A (")	GA	CTN/QTY	WT/100
575004	4	3-3/4	24	25	24
575005	5	4-3/4	24	25	30
575006	6	5-3/4	24	25	40
575007	7	6-3/4	24	25	46
575008	8	7-3/4	24	25	56
575009	9	8-3/4	24	25	82
575010	10	9-3/4	24	10	93
575012	12	11-3/4	24	10	106
575014	14	13-3/4	22	10	198
575016	16	15-3/4	22	*	243
575018	18	17-3/4	22	*	255
575020	20	19-3/4	20	*	350

NOTE: Hardware: 1 - Steel Rod
1 - Wing Nut
1 - Washer

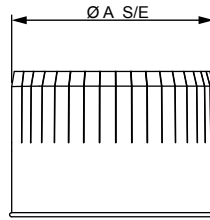
*Product shipped individually.



- E.&O.E. - Subject to Change Without Notice - May Not Be Available At All Locations -

PLUGS — CRIMPED — GALVANIZED

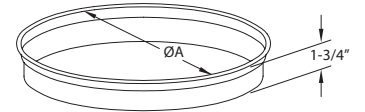
ITEM #	SIZE (")	A (")	CTN/QTY	WT/100
136503	3	3	20	20
136504	4	4	20	25
136505	5	5	20	35
136506	6	6	20	22
136507	7	7	20	52
136508	8	8	20	73
136510	10	10	20	110
136512	12	12	10	90



PLUGS/TEE CAPS — SPUN

ITEM #	SIZE (")	A (")	CTN/QTY	WT/100
570326	3	3	20	20
570426	4	4	20	26
570526	5	5	20	35
570626	6	6	20	46
570726	7	7	20	60
570826	8	8	20	72
570926	9	9	20	85
571026	10	10	20	101
571126	11	11	10	110
571226	12	12	10	140
571326	13	13	10	160
571426	14	14	10	184

ITEM #	SIZE (")	A (")	CTN/QTY	WT/100
571526	15	15	10	200
571626	16	16	10	226
571726	17	17	10	250
571826	18	18	10	270
572026	20	20	*	313
572226	22	22	*	370
572426	24	24	*	435
572626	26	26	*	490
572826	28	28	*	580
573026	30	30	*	655

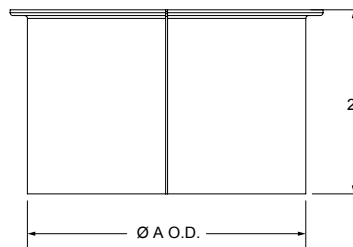


*Product shipped individually.

NOTE: Large end to fit over spiral pipe, + 1/8" (Cap). Small end to fit in spiral pipe, - 1/8" (Plug). Other sizes available upon request.

PLUGS/TEE CAPS — FABRICATED

ITEM #	SIZE (")	A (")	CTN/QTY	WT/100
573053	3	3	20	18
573054	4	4	20	28
573055	5	5	20	46
573056	6	6	20	63
573057	7	7	20	73
573058	8	8	20	105
573059	9	9	20	117
573060	10	10	20	129
573062	12	12	10	186
573064	14	14	10	215
573066	16	16	10	266
573068	18	18	10	321
573070	20	20	*	423



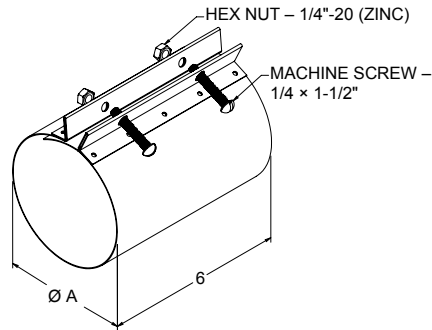
*Product shipped individually.



GALVANIZED PIPE AND ACCESSORIES

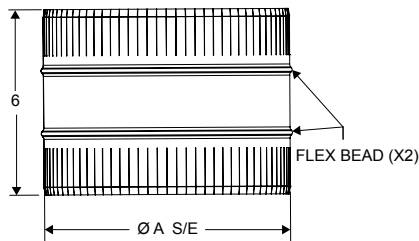
DRAW BANDS — 24 GAUGE

ITEM #	SIZE (")	A (")	CTN/QTY	WT/100
136524	4	4	50	90
136525	5	5	50	105
136526	6	6	50	120
136527	7	7	40	135
136528	8	8	25	150



FLEX CONNECTORS — 26 GAUGE

ITEM #	SIZE (")	A (")	CTN/QTY	WT/100
133204	4	4	40	48
133205	5	5	40	60
133206	6	6	40	72
133207	7	7	20	84
133208	8	8	20	95
133209	9	9	20	107
133210	10	10	20	119
133212	12	12	10	143
133214	14	14	10	166
133216	16	16	5	190
133218	18	18	5	213



-E.&O.E. - Subject to Change Without Notice - May Not Be Available At All Locations -



www.eccomfg.com

Langley Distribution

19860 Fraser Highway
Langley, British Columbia
Canada V3A 4C9

Phone: 604-530-4151
Toll Free: 1-877-955-4805
Fax: 604-533-9335

Calgary Distribution

21 – 11150 38th Street, S.E.
Calgary, Alberta
Canada T2C 2Z6

Phone: 403-720-0895
Toll Free: 1-877-955-4815
Fax: 403-720-0897

Kent Distribution

20001 87th Ave. S, Bldg E
Kent, Washington
USA 98031

Phone: 253-872-3721
Toll Free: 1-800-207-6859
Fax: 253-872-3724

FITTINGS



ECCO™ is proud to be a member of:



SMACNA
Sheet Metal and Air
Conditioning Contractors
National Association
www.smacna.org



HRAI
Heating, Refrigeration and
Air Conditioning
Institute of Canada
www.hrai.ca



HARDI
Heating, Air-conditioning
& Refrigeration
Distributors International
www.hardinet.org



ADI
Air
Distribution
Institute
www.steelduct.org



AD
Affiliated Distributors™
www.adhq.com



CME
Canadian
Manufacturers &
Exporters
www.cme-mec.ca



SPIDA
Spiral Duct
Manufacturers
Association
www.spida.org



INDEX

ADAPTERS	
RANGE HOOD TRANSITIONS	A4-34
ROOF CAP ADAPTERS — RVA	A4-47
STANDARD GAUGE	A4-47
SQUARE TO ROUND	A4-36 – A3-37
B-BOXES	A4-39
BOOTS	
CEILING / ACCESSORIES.....	A4-4
END BOOTS.....	A4-5 – A4-6
RIGHT ANGLE	A4-3 – A4-4
ROUND TO OVAL	A4-8
UNIVERSAL	A4-6 – A4-7
BRASS TAIL PIECE — ONLY	A4-34
CAPS	
CHINA — GALVANIZED.....	A4-41
SLAB DIFFUSER.....	A4-9
WALL W/SPRING LOADED DAMPER — GALVANIZED.....	A4-41
COLLARS	
CONICAL SPIN-IN.....	A4-26
CONICAL SPIN-IN WITH DAMPER.....	A4-25
SLAB DIFFUSER COLLARS	A4-9
SPIN-IN — 4" LONG.....	A4-24
SPIN-IN WITH DAMPER.....	A4-24 – A4-25
STORM — PIPE SIZE.....	A4-43
TAP-IN — LARGE END (STARTING COLLARS).....	A4-24
TAP-IN — SMALL END	A4-22 – A4-23
WITH FLANGE.....	A4-43
COMBUSTION AIR POTS.....	A4-35
CONICAL STANDOFFS — WITH 3/8" ROD DAMPER.....	A4-26
DIFFUSER CANS	A4-38
DRAIN PANS	
EQUIPMENT	A4-33
DRAIN PANS — 2" HIGH — C/W PVC FITTING	A4-32
SPUN ROUND.....	A4-31 – A4-33
SQUARE	A4-33
DUCTBOARD — SPIN-IN.....	A4-27
ECCO-SEAL	
CONICAL.....	A4-29
FLAT.....	A4-27 – A4-28
HIGH EFFICIENCY TAKE OFF	A4-30
RADIUS.....	A4-28
EC RETURN AIR CANS	A4-37
FLASHINGS	
I.P.S. ADJUSTABLE ROOF	A4-43
ADJUSTABLE	
PIPE SIZE — 1/12-7/12	A4-42
PIPE SIZE — 1/12-7/12 — SOLDERED.....	A4-42
PIPE SIZE — 8/12-12/12.....	A4-43
FLAT	
HOT WELDED.....	A4-41
PIPE SIZE — HOT WELDED	A4-42
PIPE SIZE — SOLDERED.....	A4-41
FRESH AIR GRILLES — GALVANIZED	A4-40
FRESH AIR INTAKES	A4-40
FRESH AIR SNORKELS	A4-40
HI EXTENSION — 12"	A4-9
KICKBOARD BOXES	A4-39
LINESET — ADJUSTABLE — 1/12-7/12	A4-43
LINT TRAPS	A4-35 – A4-36
NAILING STRIPS.....	A4-35
NPT PIPE NIPPLE CADDY	A4-34
PVC FITTING.....	A4-32
REGISTER BOXES	A4-36
RETURN AIR CANS.....	A4-38
RETURN AIR SUPPORT BOXES	A4-39
ROOF JACKS	
EC144.....	A4-45
MOBILE HOME — 8 x 8	A4-45
ROUND	A4-44 – A4-46
SQUARE TOP — SOLDERED — 8 x 8 — 26 GAUGE.....	A4-44
TAKE OFFS	
DUCTBOARD	A4-11
ELBOWS	A4-11
ELBOW — GALVANIZED	A4-11
PIPE.....	A4-14
SADDLE.....	A4-13 – A4-14
SIDE.....	A4-12 – A4-13
TOP	A4-10
UNIVERSAL	A4-10
SLEEVES WITH DAMPERS (KS-145 REGULATOR)	A4-26 – A4-27
STAKES — SLAB.....	A4-9
STRANKO BOXES.....	A4-34
TEES	
24 GAUGE /26 GAUGE / 30 GAUGE	A4-20 – A4-21
AIR CUSHION	A4-20
SADDLE — GALVANIZED.....	A4-20
THIMBLES — WALL	A4-34 – A4-35
VENTS — ROOF	
ATTIC — SQUARE — SOLDERED — GALVANIZED	A4-47
BUILT UP	A4-47
PLASTIC CAP STEM VENTS — BVDS.....	A4-48
WITH STEM	A4-47
WATER TANK STANDS.....	A4-34
WYES	
BRANCHES — 26 GAUGE.....	A4-18
PANT — GALVANIZED — SMALL END.....	A4-17
SADDLE — GALVANIZED.....	A4-17
STRAIGHT CONE	A4-19
UNIVERSAL	A4-15 – A4-16

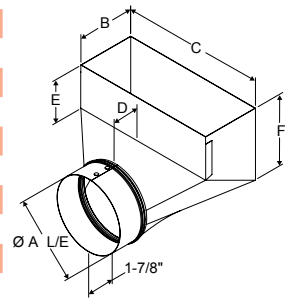
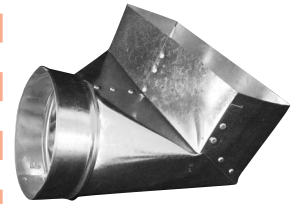
LEGEND

NOTE: The boxed columns throughout the tables are intended to provide a quick determination of ordering dimensions.

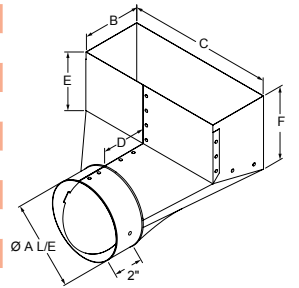
ABBREVIATIONS: CTN/QTY = Carton Quantity
 WT/100 = Weight per 100 Pieces
 WT/100 FT = Weight per 100 Feet
 FT/BNDL = Feet per Bundle

RIGHT ANGLE BOOTS — P13

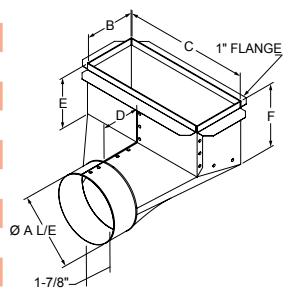
ITEM #	DESCRIPTION	A (")	B (")	C (")	D (")	E (")	F (")	CTN/QTY	WT/100
074210	4 - 2-1/4" x 10	4	2-1/4	10	3-1/4	3	4	30	85
074310	4 - 3" x 10"	4	3	10	3-1/4	3	5	30	96
074313	4 - 3" x 10" c/w Hem	4	3	10	3-1/4	2-1/2	4-1/2	30	96
074410	4 - 4" x 10"	4	4	10	3-1/4	3	4	20	124
074411	4 - 4" x 10" c/w 1" Flange	4	4	10	3-1/4	3	4	20	126
075210	5 - 2-1/4" x 10"	5	2-1/4	10	3	3	4	20	105
075212	5 - 2-1/4" x 12"	5	2-1/4	12	3-1/4	3	4	20	142
075214	5 - 2-1/4" x 14"	5	2-1/4	14	3-3/4	3	4	20	154
075310	5 - 3" x 10"	5	3	10	2-3/4	3	4	30	100
075313	5 - 3" x 10" c/w Hem	5	3	10	2-3/4	2-1/2	3-1/2	30	100
075380	5 - 3" x 10" c/w Plate	5	3	10	2-3/4	2-7/8	3-7/8	20	134
075311	5 - 3-1/4" x 10" c/w Cleats	5	3-1/4	10	2-1/2	3	4	30	103
075410	5 - 4" x 10"	5	4	10	3	3	4	20	106
075411	5 - 4" x 10" c/w 1" Flange	5	4	10	3	3	4	20	111
075420	5 - 4" x 10" Short	5	4	10	2-3/4	1-1/2	2-1/2	20	99
075422	5 - 4" x 10", 4" Throat	5	4	10	3	4	5	20	116
075412	5 - 4" x 12"	5	4	12	3	3	4	20	110
075433	5 - 6" x 12" c/w 1" Flange	5	6	12	3-1/2	3	4	20	213
076200	6 - 2" x 10" L/E c/w Damper	6	2	10	3	2-1/2	3-1/2	20	130
076210	6 - 2-1/4" x 10"	6	2-1/4	10	3-1/4	2-1/2	3-1/2	20	130
076212	6 - 2-1/4" x 12"	6	2-1/4	12	3-1/2	3	4	10	130
076214	6 - 2-1/4" x 14"	6	2-1/4	14	4-1/2	3	4	10	140
076310	6 - 3" x 10"	6	3	10	2-3/4	3	4	20	133
076408	6 - 4" x 8"	6	4	8	2-3/4	3	5	20	135
076400	6 - 4" x 10" L/E c/w Damper	6	4	10	3-1/2	3	5	20	144
076409	6 - 4" x 10" c/w 1" Flange	6	4	10	3-1/2	3	5	20	130
076410	6 - 4" x 10"	6	4	10	3-1/2	3	5	20	138
076402	6 - 4" x 12" L/E c/w Damper	6	4	12	3-1/2	3	5	10	158
076411	6 - 4" x 12" c/w 1" Flange	6	4	12	3-1/2	3	5	10	111
076412	6 - 4" x 12"	6	4	12	3-1/2	3	5	10	150
076413	6 - 4" x 10" c/w Hem	6	4	10	3-1/2	2-1/2	4-1/2	20	138
076404	6 - 4" x 14" L/E c/w Damper	6	4	14	3-1/2	3	4-1/2	10	179
076414	6 - 4" x 14"	6	4	14	3-1/2	3	4-1/2	10	170
076415	6 - 4" x 14" c/w 1" Flange	6	4	14	3-1/2	3	4-1/2	10	160
076608	6 - 6" x 8"	6	6	8	3	2-3/4	4	10	155
076610	6 - 6" x 10"	6	6	10	2-1/2	1-1/2	2-3/4	10	155
076611	6 - 6" x 10" c/w 1" Flange	6	6	10	2-1/2	1-1/2	2-3/4	10	176
076612	6 - 6" x 12"	6	6	12	3	3	4-1/2	10	160
076613	6 - 6" x 12" c/w 1" Flange	6	6	12	3	3	4-1/2	10	227
077400	7 - 4" x 10" L/E c/w Damper	7	4	10	3	2-1/2	4-3/4	10	150
077410	7 - 4" x 10"	7	4	10	3	2-1/2	4-3/4	10	142
077402	7 - 4" x 12" L/E c/w Damper	7	4	12	2-3/4	3	4-1/2	10	168
077412	7 - 4" x 12"	7	4	12	2-3/4	3	4-1/2	10	160
077414	7 - 4" x 14"	7	4	14	3-1/4	3	5	10	160
077415	7 - 4" x 14" c/w 1" Flange	7	4	14	3-1/4	3	5	10	165
077610	7 - 6" x 10"	7	6	10	3	3	4-1/4	10	180
077611	7 - 6" x 10" c/w 1" Flange	7	6	10	3	3	4-1/4	10	258
077612	7 - 6" x 12"	7	6	12	3-1/4	3	5-1/4	10	185
077613	7 - 6" x 12" c/w 1" Flange	7	6	12	3-1/4	3	5-1/4	10	261
077614	7 - 6" x 14"	7	6	14	3-1/2	2-1/2	4	10	195



Right Angle Boot



Right Angle Boot with Damper



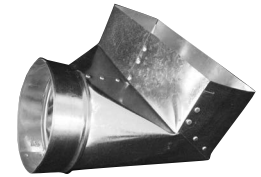
Right Angle Boot with 1" Flange

(cont'd on next page)

- E.&O.E. - Subject to Change Without Notice - May Not Be Available At All Locations -

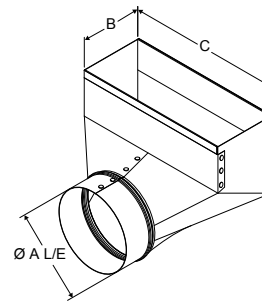
RIGHT ANGLE BOOTS — P13 (cont'd)

ITEM #	DESCRIPTION	A (")	B (")	C (")	D (")	E (")	F (")	CTN/QTY	WT/100
078400	8 – 4" × 10" L/E c/w Damper	8	4	10	3	3	4-1/2	10	190
078402	8 – 4" × 12" L/E c/w Damper	8	4	12	3-1/2	2-1/2	5-1/2	10	200
078412	8 – 4" × 12"	8	4	12	3-1/2	2-1/2	5-1/2	10	190
078404	8 – 4" × 14" L/E c/w Damper	8	4	14	3-1/2	3	4-3/4	10	210
078414	8 – 4" × 14"	8	4	14	3-1/2	3	4-3/4	10	200
078415	8 – 4" × 14" c/w 1" Flange	8	4	14	3-1/2	3	4-3/4	10	205
078608	8 – 6" × 8"	8	6	8	3	2-3/4	4-1/2	10	170
078610	8 – 6" × 10"	8	6	10	3-1/4	3	6-1/2	10	180
078612	8 – 6" × 12"	8	6	12	3-1/4	3	6-1/2	10	200
078611	8 – 6" × 12" L/E c/w Damper	8	6	12	3-1/4	3	6-1/2	10	321
078613	8 – 6" × 12" c/w 1" Flange	8	6	12	3-1/4	3	6-1/2	10	295
078604	8 – 6" × 14" L/E c/w Damper	8	6	14	3-1/4	3	6-1/2	10	215
078614	8 – 6" × 14"	8	6	14	3-1/4	3	6-1/2	5	200
078615	8 – 6" × 14" c/w 1" Flange	8	6	14	3-1/4	3	6-1/2	10	205
079614	9 – 6" × 14"	9	6	14	3-1/4	3	6-1/2	10	210
078674	10 – 6" × 14" c/w Damper	10	6	14	4	3	6	10	220



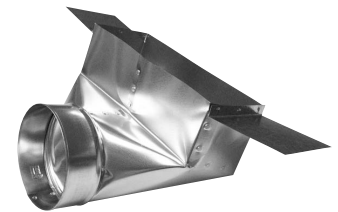
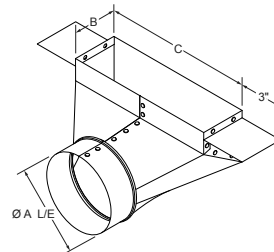
RIGHT ANGLE BOOTS WITH CLEATS — F13

ITEM #	SIZE (")	A (")	B (")	C (")	CTN/QTY	WT/100
076311	6 – 3-1/4 × 10	6	3-1/4	10	20	140
076312	6 – 3-1/4 × 12	6	3-1/4	12	10	146
076314	6 – 3-1/4 × 14	6	3-1/4	14	10	150
077311	7 – 3 1/4 × 10	7	3-1/4	10	20	112
077312	7 – 3-1/4 × 12	7	3-1/4	12	10	145
077314	7 – 3-1/4 × 14	7	3-1/4	14	10	118
078312	7 – 3-1/4 × 12	8	3-1/4	12	10	124
078314	8 – 3-1/4 × 14	8	3-1/4	14	10	130



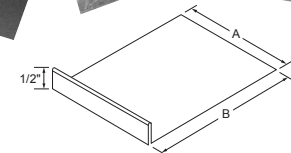
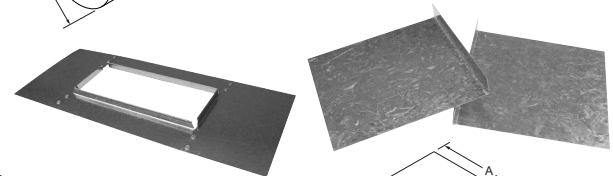
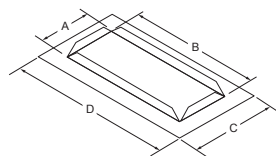
RIGHT ANGLE CEILING BOOTS

ITEM #	DESCRIPTION	A (")	B (")	C (")	CTN/QTY	WT/100
072300	5" – 3" × 10"	5	3	10	30	101
072400	5" – 4" × 10"	5	4	10	20	107



BOOT ACCESSORIES

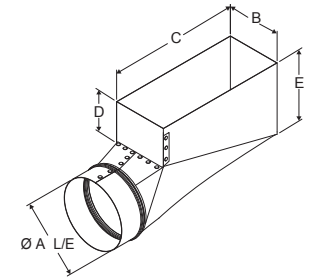
ITEM #	DESCRIPTION	A (")	B (")	CTN/QTY	WT/100
072460	4" × 10" Plate	4	10	50	110
072450	Basement Boot Wings 3"/Pair	3	3	300 pairs	3



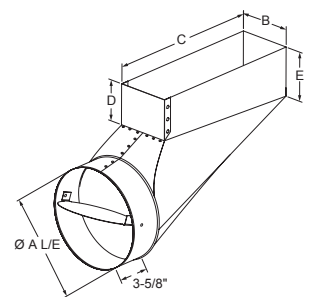
– E.&O.E. – Subject to Change Without Notice – May Not Be Available At All Locations –

END BOOTS — P17

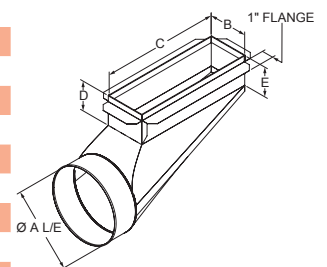
ITEM #	DESCRIPTION	A (")	B (")	C (")	D (")	E (")	CTN/QTY	WT/100
084310	4 - 3" x 10"	4	3	10	2-1/2	3-1/4	30	88
084313	4 - 3" x 10" c/w Hem	4	3	10	2	2-3/4	30	88
084410	4 - 4" x 10"	4	4	10	2-1/2	3-1/4	20	128
085210	5 - 2-1/4" x 10"	5	2-1/4	10	2-1/2	3-1/4	30	125
085212	5 - 2-1/4" x 12"	5	2-1/4	12	2-1/2	3-1/4	30	145
085214	5 - 2-1/4" x 14"	5	2-1/4	14	2-1/2	3-1/4	20	130
085310	5 - 3" x 10"	5	3	10	2-1/2	3-1/4	40	94
085313	5 - 3" x 10" c/w Hem	5	3	10	2	2-3/4	40	94
085400	5 - 4" x 10" c/w Damper	5	4	10	2-1/2	3-1/4	30	105
085410	5 - 4" x 10"	5	4	10	2-1/2	3-1/4	30	100
085412	5 - 4" x 12"	5	4	12	2-1/2	3-1/4	20	104
085420	5 - 4" x 10" Short	5	4	10	1-1/2	2-1/4	20	95
085422	5 - 4" x 10", 4" Throat	5	4	10	3-1/2	4-1/4	20	110
086200	6 - 2" x 10" c/w Damper	6	2	10	2-1/2	3-1/4	20	153
086210	6 - 2-1/4" x 10"	6	2-1/4	10	2-1/2	3-1/4	20	135
086212	6 - 2-1/4" x 12"	6	2-1/4	12	2-1/2	3-1/4	20	135
086214	6 - 2-1/4" x 14"	6	2-1/4	14	2-1/2	3-1/4	10	160
086310	6 - 3" x 10"	6	3	10	2-1/2	3-1/4	20	127
086400	6 - 4" x 10" c/w Damper	6	4	10	2-1/2	3-1/4	20	160
086410	6 - 4" x 10"	6	4	10	2-1/2	3-1/4	20	152
086413	6 - 4" x 10" c/w Hem	6	4	10	2	2-3/4	20	152
086402	6 - 4" x 12" c/w Damper	6	4	12	2-1/2	3-1/4	20	170
086412	6 - 4" x 12"	6	4	12	2-1/2	3-1/4	20	125
086404	6 - 4" x 14" c/w Damper	6	4	14	2-1/2	3-1/4	10	190
086414	6 - 4" x 14"	6	4	14	2-1/2	3-1/4	10	190
086415	6 - 4" x 14" c/w 1" Flange	6	4	14	2-1/2	3-1/4	10	195
086610	6 - 6" x 10"	6	6	10	2-1/2	3-1/4	10	125
086612	6 - 6" x 12"	6	6	12	2-1/2	3-1/4	10	130
086614	6 - 6" x 14"	6	6	14	2-1/2	3-1/4	10	200
087410	7 - 4" x 10"	7	4	10	2-1/2	4-1/4	10	135
087412	7 - 4" x 12"	7	4	12	2-1/2	3-1/4	10	150
087405	7 - 4" x 12" c/w Damper	7	4	12	2-1/2	3-1/4	10	207
087414	7 - 4" x 14"	7	4	14	2-1/2	6	10	150
087610	7 - 6" x 10"	7	6	10	2-1/2	4	10	150
087612	7 - 6" x 12"	7	6	12	2-1/2	4	10	155
087614	7 - 6" x 14"	7	6	14	2-1/2	4	10	212
088412	8 - 4" x 12"	8	4	12	3	7-1/2	10	165
088402	8 - 4" x 12" c/w Damper	8	4	12	3	4	10	285
088414	8 - 4" x 14"	8	4	14	3	4	10	170
088413	8 - 4" x 14" c/w Damper	8	4	14	3	4	10	289
088610	8 - 6" x 10"	8	6	10	3	7-1/2	10	170
088612	8 - 6" x 12"	8	6	12	3	7-1/2	10	180
088611	8 - 6" x 12" c/w Damper	8	6	12	3	7-1/2	10	290
088614	8 - 6" x 14"	8	6	14	2-1/2	7-1/2	10	190
088674	10 - 6" x 14" LE c/w Damper	10	6	14	4	5	10	220



End Boot



End Boot with Damper

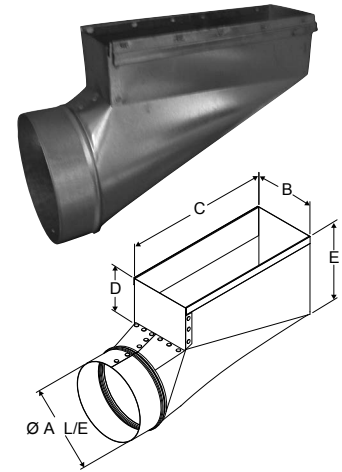


End Boot with 1" Flange

-E.&O.E. - Subject to Change Without Notice - May Not Be Available At All Locations -

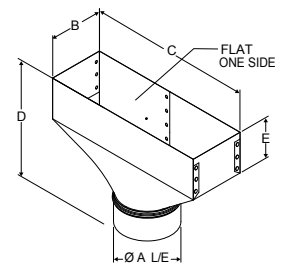
END BOOTS WITH CLEATS — F17

ITEM #	SIZE (")	A (")	B (")	C (")	D (")	E (")	CTN/QTY	WT/100
085311	5 – 3-1/4 × 10	5	3-1/4	10	2-1/2	3-1/4	20	103
086311	6 – 3-1/4 × 10	6	3-1/4	10	2-1/2	3-1/4	20	127
086312	6 – 3-1/4 × 12	6	3-1/4	12	2-1/2	3-1/4	20	120
087312	7 – 3-1/4 × 12	7	3-1/4	12	2-1/2	3-1/4	10	135
088312	8 – 3-1/4 × 12	8	3-1/4	12	2-1/2	3-1/4	20	124
088314	8 – 3-1/4 × 14	8	3-1/4	14	2-1/2	3-1/4	10	130

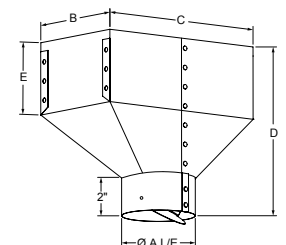


UNIVERSAL BOOTS — P5

ITEM #	DESCRIPTION	A (")	B (")	C (")	D (")	E (")	CTN/QTY	WT/100
095400	5 – 4" × 10" L/E c/w Damper	5	4	10	7-1/4	2-1/2	40	115
093540	5 – 4" × 10" S/E Collar	5	4	10	7-1/4	2-1/2	20	105
094209	4 – 2-1/4" × 10" EXT	4	2-1/4	10	9-1/2	4	30	90
094210	4 – 2-1/4" × 10"	4	2-1/4	10	8-5/8	3	20	86
094212	4 – 2-1/4" × 12" EXT	4	2-1/4	12	9-1/2	4	20	66
094310	4 – 3" × 10"	4	3	10	7-1/2	2-1/2	30	82
094313	4 – 3" × 10" c/w Hem	4	3	10	7	2	20	82
094408	4 – 4" × 8"	4	4	8	8	2-1/2	20	125
094409	4 – 4" × 10" EXT	4	4	10	9-1/2	4	20	95
094410	4 – 4" × 10"	4	4	10	7-1/2	2-1/2	20	126
094420	4 – 4" × 10" c/w 1" Flange	4	4	10	7-1/2	2-1/4	20	126
094412	4 – 4" × 12"	4	4	12	9-3/4	2-1/2	20	130
095209	5 – 2-1/4" × 10" EXT	5	2-1/4	10	9-1/2	4	30	105
095210	5 – 2-1/4" × 10"	5	2-1/4	10	8	3	30	81
095212	5 – 2-1/4" × 12"	5	2-1/4	12	8	3	30	114
095310	5 – 3" × 10"	5	3	10	7-3/4	3	40	100
095313	5 – 3" × 10" c/w Hem	5	3	10	7-1/4	2-1/2	40	100
095408	5 – 4" × 8"	5	4	8	8	2-1/2	40	115
095409	5 – 4" × 10" EXT	5	4	10	9-1/2	4	20	110
095410	5 – 4" × 10"	5	4	10	7-3/8	2-1/2	40	114
095390	5 – 4" × 10" c/w 1" Flange	5	4	10	9-1/2	4	40	171
095412	5 – 4" × 12" EXT	5	4	12	9-1/2	4	20	121
096200	6 – 2" × 10" L/E c/w Damper	6	2	10	8-1/2	2-3/8	20	120
096210	6 – 2-1/4" × 10" EXT	6	2-1/4	10	9-1/2	4	10	120
096212	6 – 2-1/4" × 12" EXT	6	2-1/4	12	9-1/2	4	10	120
096214	6 – 2-1/4" × 14" EXT	6	2-1/4	14	9-1/2	3	10	130
096310	6 – 3" × 10"	6	3	10	7-1/2	3	20	100
096408	6 – 4" × 8"	6	4	8	8	3	20	105
096400	6 – 4" × 10" L/E c/w Damper	6	4	10	7	2-1/2	20	126
096409	6 – 4" × 10" EXT	6	4	10	9-1/2	4	20	120
096410	6 – 4" × 10"	6	4	10	7	2-1/2	20	105
096402	6 – 4" × 12" L/E c/w Damper	6	4	12	9-1/2	3-1/4	20	132
096412	6 – 4" × 12" EXT	6	4	12	9-1/2	3-1/4	20	100
096413	6 – 4" × 12" c/w Hem	6	4	10	7	2	20	105



Universal Boot

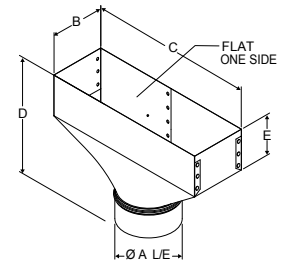


Universal Boot with Damper

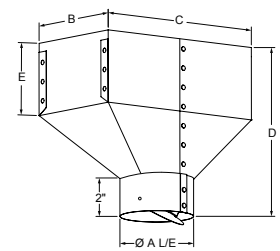
(cont'd on next page)

UNIVERSAL BOOTS — P5 (cont'd)

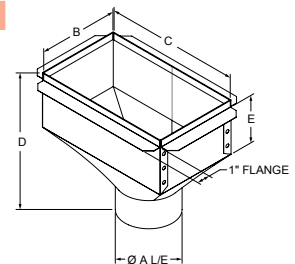
ITEM #	DESCRIPTION	A (")	B (")	C (")	D (")	E (")	CTN/QTY	WT/100
096414	6 – 4" x 14" EXT	6	4	14	9-1/2	3	10	130
096610	6 – 6" x 10" EXT	6	6	10	9-1/2	3-13/16	10	120
096600	6 – 6" x 10" c/w 1" Flange	6	6	10	9-1/2	3-3/4	10	193
096612	6 – 6" x 12" EXT	6	6	12	9-1/2	3-13/16	10	120
096622	6 – 6" x 12" c/w 1" Flange	6	6	12	9-1/2	3-3/4	10	220
097400	7 – 4" x 10" L/E c/w Damper	7	4	10	9-1/2	4	10	139
097410	7 – 4" x 10" EXT	7	4	10	9-1/2	4	10	132
097402	7 – 4" x 12" L/E c/w Damper	7	4	12	9-1/2	4	10	147
097412	7 – 4" x 12" EXT	7	4	12	9-1/2	4	10	140
097415	7 – 4" x 14" c/w 1" Flange	7	4	14	9-1/2	4	10	160
097414	7 – 4" x 14" EXT	7	4	14	9-1/2	4	10	140
097610	7 – 6" x 10" EXT	7	6	10	9-1/2	4	10	160
097612	7 – 6" x 12" EXT	7	6	12	9-1/2	4	10	165
097613	7 – 6" x 12" c/w 1" Flange	7	6	12	9-1/2	4	10	221
097614	7 – 6" x 14" EXT	7	6	14	9-1/2	4	10	175
097624	7 – 6" x 14" c/w 1" Flange	7	6	14	9-1/2	3-1/8	10	258
098400	8 – 4" x 10" L/E c/w Damper	8	4	10	9-1/2	4	10	172
098402	8 – 4" x 12" L/E c/w Damper	8	4	12	9-1/2	4	10	179
098412	8 – 4" x 12" EXT	8	4	12	9-1/2	4	10	170
098404	8 – 4" x 14" L/E c/w Damper	8	4	14	9-1/2	4	10	185
098414	8 – 4" x 14" EXT	8	4	14	9-1/2	4	10	175
098610	8 – 6" x 10" EXT	8	6	10	9-1/2	4	10	160
098612	8 – 6" x 12" EXT	8	6	12	9-1/2	3-3/4	10	170
098613	8 – 6" x 12" c/w 1" Flange	8	6	12	9-1/2	3-3/4	10	242
098611	8 – 6" x 12" L/E c/w Damper	8	6	12	9-1/2	3-3/4	10	164
098614	8 – 6" x 14" EXT	8	6	14	9-1/2	3	10	180
098624	8 – 6" x 14" L/E c/w Damper	8	6	14	9-1/2	4	10	192
098623	8 – 6" x 14" c/w 1" Flange	8	6	14	9-1/2	3	10	252
099614	9 – 6" x 14" EXT	9	6	14	9-1/2	4	10	170
098674	10 – 6" x 14" LE c/w Damper	10	6	14	9-1/2	3-7/8	10	220



Universal Boot



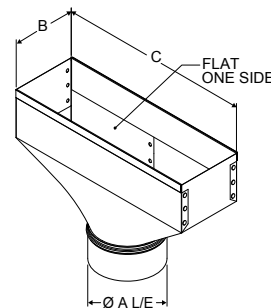
Universal Boot with Damper



Universal Boot with 1" Flange

UNIVERSAL BOOTS WITH CLEATS — F5

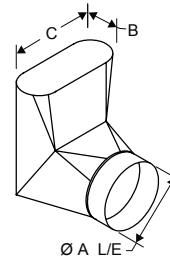
ITEM #	SIZE (")	A (")	B (")	C (")	CTN/QTY	WT/100
095311	5 – 3-1/4 x 10	5	3-1/4	10	20	103
096311	6 – 3-1/4 x 10	6	3-1/4	10	10	100
096312	6 – 3-1/4 x 12	6	3-1/4	12	10	96
096314	6 – 3-1/4 x 14	6	3-1/4	14	10	100
097311	7 – 3-1/4 x 10	7	3-1/4	10	10	112
097312	7 – 3-1/4 x 12	7	3-1/4	12	10	125
097314	7 – 3-1/4 x 14	7	3-1/4	14	10	118
098311	8 – 3-1/4 x 10	8	3-1/4	10	10	160
098312	8 – 3-1/4 x 12	8	3-1/4	12	10	165
098314	8 – 3-1/4 x 14	8	3-1/4	14	10	170



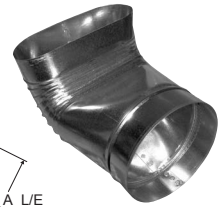
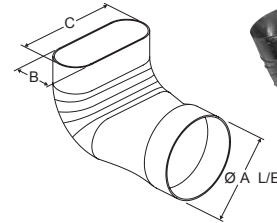
– E.&O.E. – Subject to Change Without Notice – May Not Be Available At All Locations –

ROUND TO OVAL ANGLE BOOTS 90°

ITEM #	SIZE (")	A (")	B (")	C (")	CTN/QTY	WT/100
097500	5 to 6 – (3 × 7-3/4)	5	3	7-3/4	30	90
097550	5 to 5 – (3 × 6-1/8)	5	3	6-1/8	30	85
097602	6 to 6 – (3 × 7-3/4)	6	3	7-3/4	30	130
097607	6 to 7 – (3 × 9-1/4)	6	3	9-1/4	12	135
097800	8 to 8 – (3 × 10-7/8)	8	3	10-7/8	10	170

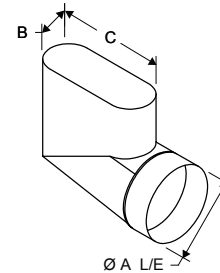


ITEM #	MODEL	SIZE (")	A (")	B (")	C (")	CTN/QTY	WT/100
097600	GV2098	6 to 6 – (3 × 7-3/4)	6	3	7-3/4	16	130
097700	GV2099	7 to 7 – (3 × 9-1/4)	7	3	9-1/4	12	150



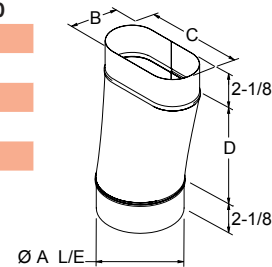
ROUND TO OVAL END BOOTS 90°

ITEM #	SIZE (")	A (")	B (")	C (")	CTN/QTY	WT/100
098495	5 to 5 – (3 × 6-1/8)	5	3	6-1/8	20	75
098500	5 to 6 – (3 × 7-3/4)	5	3	7-3/4	20	80
098600	6 to 6 – (3 × 7-3/4)	6	3	7-3/4	20	80
098607	6 to 7 – (3 × 9-1/4)	6	3	9-1/4	10	90
098700	7 to 7 – (3 × 9-1/4)	7	3	9-1/4	10	100
098800	8 to 8 – (3 × 10-7/8)	8	3	10-7/8	10	110



ROUND TO OVAL STRAIGHT BOOTS

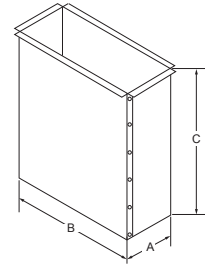
ITEM #	SIZE (")	A (")	B (")	C (")	D (")	CTN/QTY	WT/100
099500	5 to 6 – (3 × 7-3/4)	5	3	7-3/4	7-1/2	20	80
099505	5 to 5 – (3 × 6-1/8)	5	3	6-1/8	7-1/2	20	74
099600	6 to 6 – (3 × 7-3/4)	6	3	7-3/4	7-1/2	20	80
099700	7 to 7 – (3 × 9-1/4)	7	3	9-1/4	6-5/8	10	100
099800	8 to 8 – (3 × 10-7/8)	8	3	10-7/8	7-3/4	10	110



– E.&O.E. – Subject to Change Without Notice – May Not Be Available At All Locations –

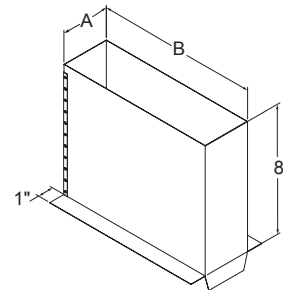
HI EXTENSION — 12"

ITEM #	SIZE (")	A (")	B (")	C (")	GA	CTN/QTY	WT/100
136000	4 × 10	4	10	11-1/2	30	10	229



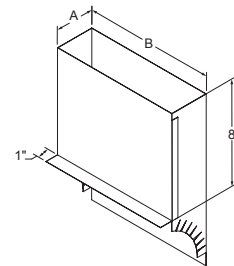
SLAB DIFFUSER COLLARS — OFF TOP

ITEM #	SIZE (")	A (")	B (")	GA	CTN/QTY	WT/100
551926	3 × 10	3	10	26	20	158
552026	4 × 10	4	10	26	20	171



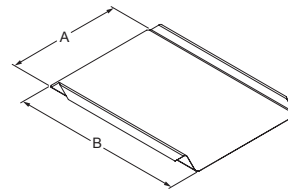
SLAB DIFFUSER COLLARS — OFF SIDE

ITEM #	SIZE (")	A (")	B (")	GA	CTN/QTY	WT/100
560426	3 × 10	3	10	26	10	176
560526	4 × 10	4	10	26	10	191



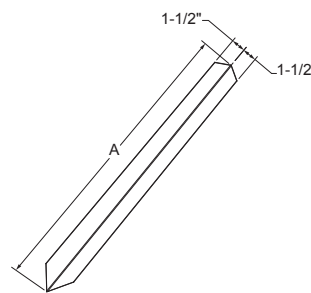
SLAB DIFFUSER CAPS

ITEM #	SIZE (")	A (")	B (")	GA	CTN/QTY	WT/100
573326	3 × 10	3	10	26	10	38
573426	4 × 10	4	10	26	10	45



SLAB STAKES

ITEM #	SIZE (")	A (")	GA	CTN/QTY	WT/100
574020	36	36	20	10	83

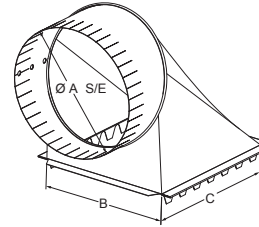


— E.&O.E. — Subject to Change Without Notice — May Not Be Available At All Locations —

TOP TAKE OFFS

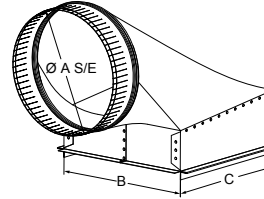
4" — 7"

ITEM #	SIZE (")	A (")	B (")	C (")	CTN/QTY	WT/100
060400	4	4	4	6	40	65
060500	5	5	5	7	50	85
060600	6	6	6	7	30	95
060700	7	7	7	9	20	120



8" — 14"

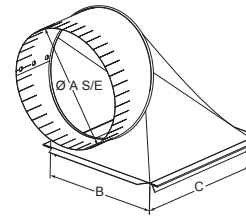
ITEM #	SIZE (")	A (")	B (")	C (")	CTN/QTY	WT/100
060800	8	8	10	8	10	180
060809	9	9	11	9	5	300
060900	10	10	12	10	5	375
061000	12	12	14	12	3	600
061100	14	13-15/16	16	14	2	700



TOP TAKE OFFS — 26 GAUGE

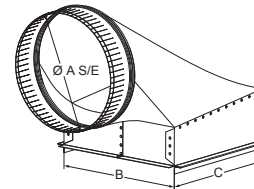
4" — 7"

ITEM #	SIZE (")	A (")	B (")	C (")	GA	CTN/QTY	WT/100
500304	4	4	4	6	26	40	124
500305	5	5	5	7	26	50	134
500306	6	6	6	7	26	30	154
500307	7	7	7	9	26	30	194



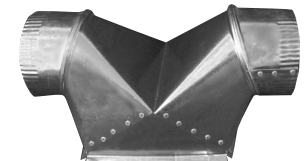
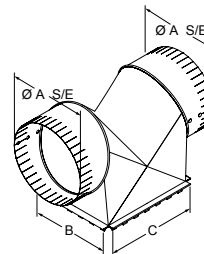
8" — 12"

ITEM #	SIZE (")	A (")	B (")	C (")	GA	CTN/QTY	WT/100
500308	8	8	10	8	26	10	291
500309	9	9	11	9	26	5	363
500310	10	10	12	10	26	5	435
500312	12	12	14	12	26	3	375



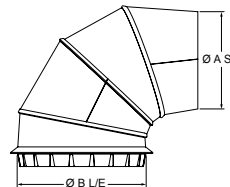
TOP TAKE OFFS — 5" TWO WAY

ITEM #	SIZE (")	A (")	B (")	C (")	CTN/QTY	WT/100
062400	5	5	8	8	20	140



UNIVERSAL TAKE OFFS

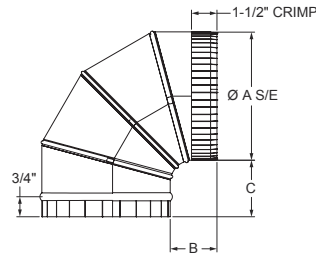
ITEM #	SIZE (")	A (")	B (")	CTN/QTY	WT/100
062900	4	4	5	25	60
063000	5	5	6	36	72
063100	6	6	7	20	100



-E.&O.E. - Subject to Change Without Notice - May Not Be Available At All Locations -

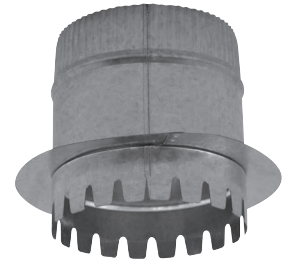
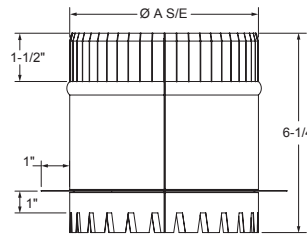
ELBOW TAKE OFFS — GALVANIZED

ITEM #	SIZE (")	A (")	B (")	C (")	CTN/QTY	WT/100
063185	5	5	2-5/8	2-1/8	30	57
063186	6	6	2-11/16	2-11/16	20	76
063187	7	7	2-7/8	2-3/4	15	98
063188	8	8	3	3-1/4	15	129



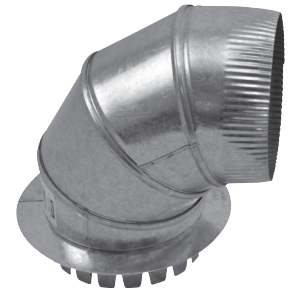
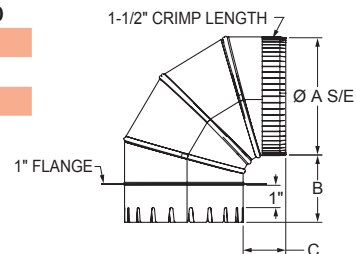
DUCTBOARD TAKE OFFS

ITEM #	SIZE (")	A (")	CTN/QTY	WT/100
133274	4	4	20	63
133275	5	5	10	81
133276	6	6	10	99
133277	7	7	10	119
133278	8	8	20	140
133279	9	9	8	162
133280	10	10	12	185
133282	12	12	8	235
133284	14	14	5	289
133286	16	16	5	347
133288	18	18	5	410
133290	20	20	2	477



DUCTBOARD TAKE OFF ELBOWS

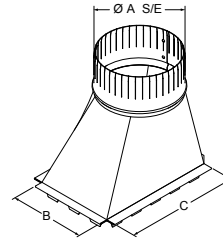
ITEM #	SIZE (")	A (")	B (")	C (")	CTN/QTY	WT/100
502455	5	5	2-7/8	2-5/8	30	117
502456	6	6	3-7/16	2-11/16	20	145
502457	7	7	3-1/2	2-7/8	15	194
502458	8	8	4	3	15	250



SIDE TAKE OFFS

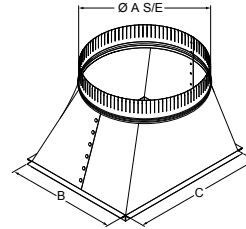
4" – 8"

ITEM #	SIZE (")	A (")	B (")	C (")	CTN/QTY	WT/100
061400	4	4	4	6	20	56
061500	5	5	5	7	50	62
061600	6	6	6	7	50	58
061700	7	7	8	8	50	90
061800	8	8	8	11	20	150



10" – 14"

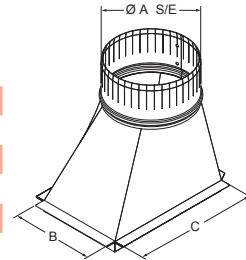
ITEM #	SIZE (")	A (")	B (")	C (")	CTN/QTY	WT/100
061810	10	10	10	13	20	270
061812	12	12	12	14	10	340
061814	14	13-15/16	14	17	10	440



26 GAUGE

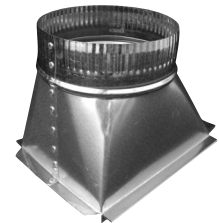
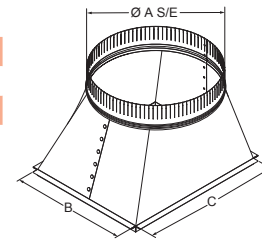
4" – 8"

ITEM #	SIZE (")	A (")	B (")	C (")	GA	CTN/QTY	WT/100
500426	4	4	4	6	26	20	80
500526	5	5	5	7	26	20	100
500626	6	6	6	8	26	20	142
500726	7	7	7	9	26	20	150
500826	8	8	8	10	26	20	216



9" – 14"

ITEM #	SIZE (")	A (")	B (")	C (")	GA	CTN/QTY	WT/100
500926	9	9	9	11	26	20	290
501026	10	10	10	12	26	20	316
501226	12	12	12	14	26	10	366
501426	14	13-15/16	14	16	26	10	540

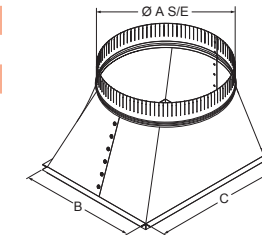


24 GAUGE

16" – 24"

ITEM #	SIZE (")	A (")	B (")	C (")	GA	CTN/QTY	WT/100
501624	16	15-15/16	16	19	24	6	730
501824	18	17-7/8	18	21	24	5	790
502024	20	19-7/8	20	23	24	5	840
502224	22	21-7/8	22	26	24	*	990
502424	24	23-7/8	24	28	24	*	1100

*Product shipped individually.



22 GAUGE

22" – 24"

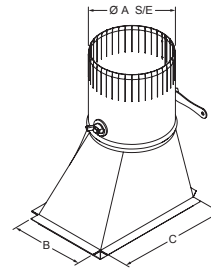
ITEM #	SIZE (")	A (")	B (")	C (")	GA	CTN/QTY	WT/100
502222	22	21-7/8	22	26	22	*	1200
502422	24	23-7/8	24	28	22	*	1340

*Product shipped individually.

– E.&O.E. – Subject to Change Without Notice – May Not Be Available At All Locations –

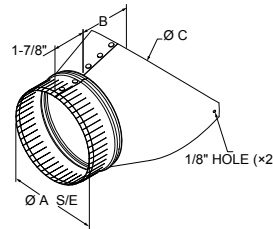
SIDE TAKE OFFS WITH DAMPER (KS-145 REGULATOR)

ITEM #	SIZE (")	A (")	B (")	C (")	GA	CTN/QTY	WT/100
502505	5	5	5	7	26	30	114
502506	6	6	6	7	26	20	122
502507	7	7	8	8	26	10	166
502508	8	8	8	11	26	10	242
502510	10	10	10	13	26	6	433
502512	12	12	12	14	26	4	550
502514	14	13-15/16	14	17	26	2	850



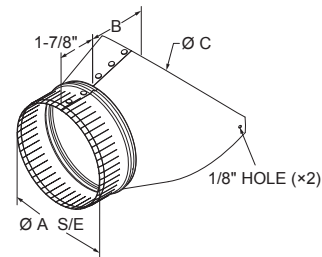
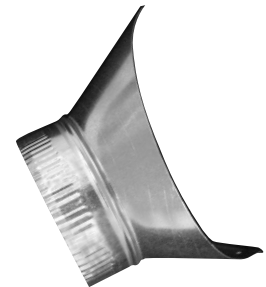
SADDLE TAKE OFFS

ITEM #	SIZE (")	A (")	B (")	C (")	CTN/QTY	WT/100
061900	4	4	2	10	20	50
062000	5	5	2	10	50	55
062100	6	6	2	12	50	60
062200	7	7	2	12	50	80
062300	8	8	3	12	20	120



28 GAUGE

ITEM #	SIZE (")	A (")	B (")	C (")	GA	CTN/QTY	WT/100
502804	4	4	2	10	28	20	70
502805	5	5	2	10	28	50	70
502806	6	6	2	12	28	50	73
502807	7	7	2	12	28	50	86
502808	8	8	3	12	28	20	125
502809	9	9	3	14	28	20	133
502810	10	10	3	14	28	20	140
502812	12	12	3	14	28	10	266
502814	14	13-15/16	3	16	28	10	300
502816	16	15-15/16	3	18	26	10	342
502818	18	17-7/8	3	20	26	6	380
502820	20	19-7/8	3	22	24	*	420



*Product shipped individually.

26 GAUGE

ITEM #	SIZE (")	A (")	B (")	C (")	GA	CTN/QTY	WT/100
502816	16	15-15/16	3	18	26	10	342
502818	18	17-7/8	3	20	26	6	380

24 GAUGE

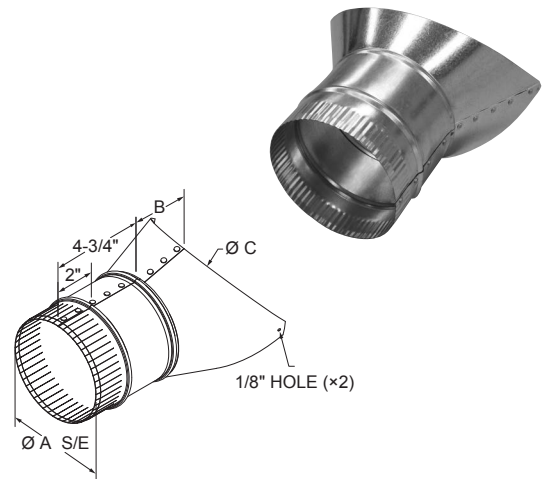
ITEM #	SIZE (")	A (")	B (")	C (")	GA	CTN/QTY	WT/100
502820	20	19-7/8	3	22	24	*	420

*Product shipped individually.

SADDLE TAKE OFFS WITH 5" COLLAR

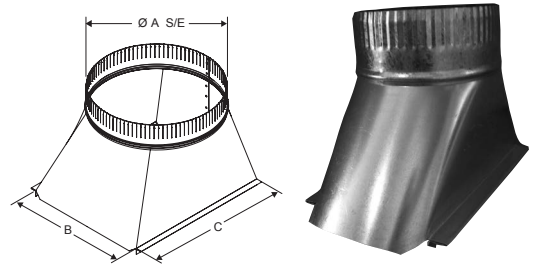
ITEM #	SIZE (")	A (")	B (")	C (")	GA	CTN/QTY	WT/100
502825	4	4	2	10	26	30	80
502826	5	5	2	10	26	30	75
502827	6	6	2	12	26	30	85
502828	7	7	2	12	26	20	95
502829	8	8	3	12	26	20	125
502830	9	9	3	14	26	10	155
502831	10	10	3	14	26	10	185
502832	12	12	3	14	26	10	230
502833	14	13-15/16	3	16	26	8	270
502834	16	15-15/16	3	18	26	*	320
502835	18	17-7/8	3	20	26	*	370
502836	20	19-7/8	3	22	24	*	440

*Product shipped individually.

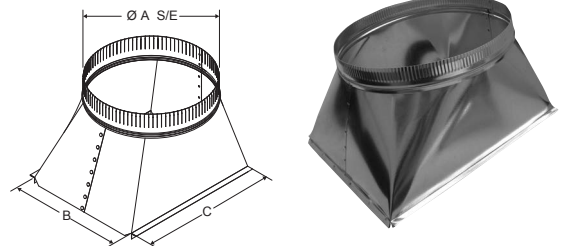


PIPE TAKE OFFS

ITEM #	SIZE (")	A (")	B (")	C (")	GA	CTN/QTY	WT/100
550426	4	4	4	6	26	20	80
550526	5	5	5	7	26	20	100
550626	6	6	6	8	26	20	142
550726	7	7	7	9	26	20	175
550826	8	8	8	10	26	20	208



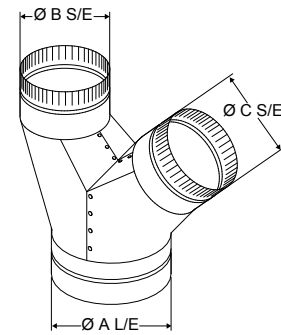
ITEM #	SIZE (")	A (")	B (")	C (")	GA	CTN/QTY	WT/100
551026	10	10	10	12	26	20	292
551226	12	12	12	14	26	10	366



- E.&O.E. - Subject to Change Without Notice - May Not Be Available At All Locations -

UNIVERSAL WYES

ITEM #	SIZE (")	A (")	B (")	C (")	CTN/QTY	WT/100
134898	4 × 3 × 3	4	3	3	20	155
134902	4 × 4 × 3	4	4	3	20	160
134904	4 × 4 × 4	4	4	4	20	160
134910	5 × 3 × 3	5	3	3	20	150
134912	5 × 4 × 3	5	4	3	20	165
134914	5 × 4 × 4	5	4	4	20	165
134915	5 × 5 × 4	5	5	4	20	312
134916	5 × 5 × 5	5	5	5	20	303
134920	6 × 4 × 4	6	4	4	20	175
134923	6 × 5 × 4	6	5	4	10	325
134924	6 × 5 × 5	6	5	5	10	175
134925	6 × 6 × 4	6	6	4	10	331
134926	6 × 6 × 5	6	6	5	10	185
134928	6 × 6 × 6	6	6	6	10	190
134931	7 × 5 × 4	7	5	4	10	200
134932	7 × 5 × 5	7	5	5	10	200
134934	7 × 6 × 4	7	6	4	10	200
134936	7 × 6 × 5	7	6	5	10	210
134937	7 × 6 × 6	7	6	6	10	200
134938	7 × 7 × 5	7	7	5	10	225
134940	7 × 7 × 7	7	7	7	10	225
134941	8 × 5 × 5	8	5	5	10	240
134943	8 × 6 × 5	8	6	5	10	220
134944	8 × 6 × 6	8	6	6	10	225
134945	8 × 7 × 5	8	7	5	10	230
134946	8 × 7 × 6	8	7	6	10	240
134947	8 × 7 × 7	8	7	7	10	250
134942	8 × 8 × 5	8	8	5	10	260
134948	8 × 8 × 6	8	8	6	10	260
134950	8 × 8 × 8	8	8	8	5	260
134949	9 × 8 × 8	9	8	8	5	280
134952	9 × 6 × 6	9	6	6	10	255
134953	9 × 7 × 5	9	7	5	10	255
134954	9 × 7 × 6	9	7	6	10	260
134955	9 × 7 × 7	9	7	7	5	275
134956	9 × 8 × 5	9	8	5	10	255
134957	9 × 8 × 6	9	8	6	5	270
134958	9 × 8 × 7	9	8	7	5	280
134951	9 × 9 × 9	9	9	9	5	290
134961	10 × 6 × 6	10	6	6	5	260
135008	10 × 7 × 6	10	7	6	5	270
134962	10 × 7 × 7	10	7	7	5	280
135009	10 × 8 × 5	10	8	5	5	283
134963	10 × 8 × 6	10	8	6	5	285
134964	10 × 8 × 7	10	8	7	5	290
134965	10 × 8 × 8	10	8	8	5	305
134960	10 × 9 × 5	10	9	5	5	290
134966	10 × 9 × 6	10	9	6	5	290
134967	10 × 9 × 7	10	9	7	5	305
134969	10 × 9 × 8	10	9	8	5	305
134959	10 × 9 × 9	10	9	9	5	305
134968	10 × 10 × 6	10	10	6	5	305

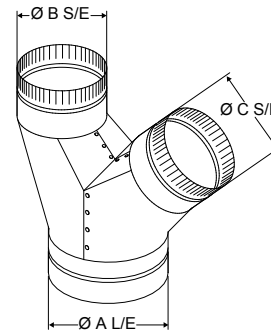


(cont'd on next page)

- E.&O.E. - Subject to Change Without Notice - May Not Be Available At All Locations -

UNIVERSAL WYES (cont'd)

ITEM #	SIZE (")	A (")	B (")	C (")	CTN/QTY	WT/100
134970	10 × 10 × 8	10	10	8	4	305
134971	10 × 10 × 10	10	10	10	4	305
135010	12 × 6 × 6	12	6	6	5	305
134972	12 × 8 × 6	12	8	6	5	305
135017	12 × 8 × 7	12	8	7	5	315
134973	12 × 8 × 8	12	8	8	5	325
135011	12 × 9 × 7	12	9	7	5	325
134978	12 × 9 × 8	12	9	8	5	345
134974	12 × 9 × 9	12	9	9	5	345
134975	12 × 10 × 6	12	10	6	5	330
134979	12 × 10 × 7	12	10	7	5	345
134976	12 × 10 × 8	12	10	8	5	345
134980	12 × 10 × 9	12	10	9	5	370
134977	12 × 10 × 10	12	10	10	4	370
134981	12 × 12 × 6	12	12	6	*	380
135012	12 × 12 × 8	12	12	8	5	380
135018	12 × 12 × 10	12	12	10	5	380
134983	12 × 12 × 12	12	12	12	*	380
135016	14 × 8 × 8	14	8	8	*	385
135013	14 × 10 × 8	14	10	8	*	425
134982	14 × 10 × 10	14	10	10	*	390
134984	14 × 12 × 8	14	12	8	*	390
134985	14 × 12 × 6	14	12	6	*	390
135015	14 × 12 × 7	14	12	7	*	390
135014	14 × 12 × 9	14	12	9	*	415
134986	14 × 12 × 10	14	12	10	*	415
134988	14 × 12 × 12	14	12	12	*	435
134987	14 × 14 × 6	14	14	6	*	435
134989	14 × 14 × 8	14	14	8	*	435
135020	14 × 14 × 12	14	14	12	*	435
134995	16 × 10 × 10	16	10	10	*	440
134990	16 × 12 × 10	16	12	10	*	440
134991	16 × 12 × 8	16	12	8	*	440
134992	16 × 12 × 12	16	12	12	*	460
134993	16 × 14 × 8	16	14	8	*	460
134994	16 × 14 × 10	16	14	10	*	460
134996	16 × 14 × 12	16	14	12	*	480
134998	16 × 14 × 14	16	14	14	*	505
134997	16 × 16 × 8	16	16	8	*	460
134999	16 × 16 × 16	16	16	16	*	510
135001	18 × 14 × 12	18	14	12	*	480
135002	18 × 14 × 14	18	14	14	*	480
135007	18 × 16 × 8	18	16	8	*	480
135005	18 × 16 × 10	18	16	10	*	480
135006	18 × 16 × 12	18	16	12	*	480
135003	18 × 16 × 14	18	16	14	*	480
135004	18 × 16 × 16	18	16	16	*	485
135025	20 × 18 × 12	20	18	12	*	500
135024	20 × 18 × 14	20	18	14	*	525
135027	20 × 18 × 16	20	18	16	*	550
135026	20 × 18 × 18	20	18	18	*	580

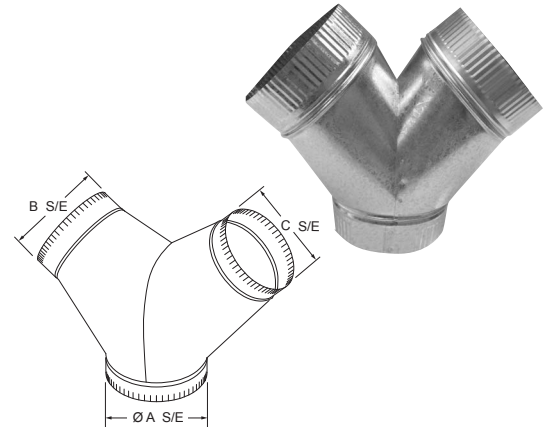


*Product shipped individually.

– E.&O.E. – Subject to Change Without Notice – May Not Be Available At All Locations –

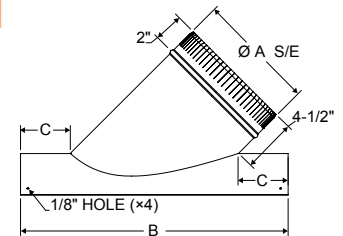
PANT WYES — GALVANIZED — SMALL END

ITEM #	SIZE (")	A (")	B (")	C (")	GA	CTN/QTY	WT/100
134832	6 × 6 × 6	6	6	6	28	10	160
134836	8 × 6 × 6	8	6	6	28	10	220
134838	8 × 8 × 8	8	8	8	28	5	220
134840	10 × 6 × 6	10	6	6	28	6	280
134842	10 × 8 × 8	10	8	8	28	5	280
134844	10 × 10 × 10	10	10	10	28	4	280
134848	12 × 8 × 8	12	8	8	28	3	350
134850	12 × 10 × 10	12	10	10	28	3	350
134852	12 × 12 × 12	12	12	12	28	2	350



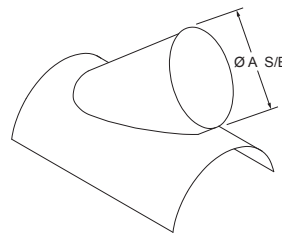
SADDLE WYES — GALVANIZED — SMALL END

ITEM #	SIZE	A (")	B (")	C (")	TO FIT PIPE DIAMETER	GA	CTN/QTY	WT/100
133144	4" × 45°	4	10	2-5/16	8, 10, 12, 14, 16	26	20	127
133145	5" × 45°	5	11	2	8, 10, 12, 14	26	20	161
133146	6" × 45°	6	13	2-3/8	10, 12	26	10	214
133147	7" × 45°	7	14	2-1/8	12, 14	26	10	245
133148	8" × 45°	8	15-1/2	2-3/16	12, 14	26	10	300
133149	9" × 45°	9	17-1/2	2-1/2	14, 16	26	10	334
133150	10" × 45°	10	19-1/2	2-13/16	14, 16	26	5	417
133152	12" × 45°	12	22	2-5/8	14, 16	26	5	532
133154	14" × 45°	13-15/16	26	3-1/2	16, 18	26	5	660



SADDLE WYES — GALVANIZED

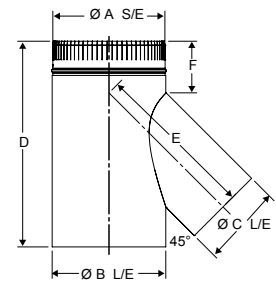
ITEM #	SIZE	A (")	GA	CTN/QTY	WT/100
135363	3" × 45°	3	28	20	42
135364	4" × 45°	4	28	20	53
135365	5" × 45°	5	26	10	130
135366	6" × 45°	6	26	10	134



– E.&O.E. – Subject to Change Without Notice – May Not Be Available At All Locations –

WYE BRANCHES — 26 GAUGE

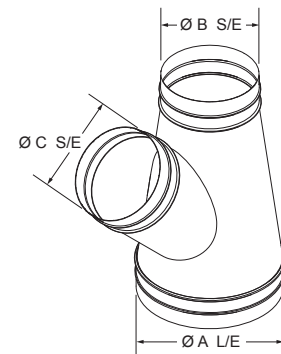
ITEM #	SIZE (")	A (")	B (")	C (")	D (")	E (")	F (")	CTN/QTY	WT/100
135028	3 × 3 × 3	3	3	3	8-3/4	5-3/4	2	20	70
135030	4 × 3 × 3	4	3	3	9-1/4	6-3/8	2-5/8	20	100
135035	4 × 4 × 3	4	4	3	9	6-13/16	2-3/4	20	116
135040	4 × 4 × 4	4	4	4	10	7-3/8	2-1/2	20	120
135042	5 × 3 × 3	5	3	3	9-1/2	6-5/8	3	20	136
135043	5 × 4 × 3	5	4	3	10	6-15/16	3	20	138
135044	5 × 4 × 4	5	4	4	11-1/2	7-15/16	3	20	140
135046	5 × 5 × 3	5	5	3	9	7-1/2	2-1/2	20	143
135050	5 × 5 × 4	5	5	4	10	8	2-3/8	20	145
135051	5 × 5 × 5	5	5	5	11	8-1/2	2	20	150
135090	6 × 4 × 4	6	4	4	10-3/4	7-1/2	3-1/4	20	160
135100	6 × 5 × 3	6	5	3	10	7-5/8	3	20	155
135200	6 × 5 × 4	6	5	4	11	8-3/16	3-1/4	20	165
135201	6 × 5 × 5	6	5	5	13	9-3/16	3-1/2	20	170
135202	6 × 6 × 5	6	6	5	11-1/2	9-1/4	2-1/2	20	185
135203	6 × 6 × 6	6	6	6	12-3/4	9-3/4	2-1/4	10	190
135299	6 × 6 × 3	6	6	3	9	8-1/2	2-1/2	20	182
135300	6 × 6 × 4	6	6	4	10	9	2-3/8	20	190
135305	7 × 6 × 4	7	6	4	10-3/4	8-3/8	3	10	200
135310	7 × 7 × 4	7	7	4	10	9-1/2	2-1/2	10	220
135311	7 × 7 × 5	7	7	5	12	10	2-1/2	10	225
135312	7 × 7 × 6	7	7	6	13	10-1/2	2-1/2	10	225
135313	7 × 7 × 7	7	7	7	14	10-11/16	2-1/2	10	230
135318	8 × 6 × 6	8	6	6	13-1/4	9	3-1/2	10	250
135322	8 × 8 × 4	8	8	4	11-1/2	11-1/4	3	10	250
135323	8 × 8 × 5	8	8	5	13-1/8	11-3/16	3-1/2	10	250
135324	8 × 8 × 6	8	8	6	13	11-3/16	2-1/2	10	260
135326	8 × 8 × 8	8	8	8	15-1/2	12-3/16	2-1/4	5	270
135336	10 × 8 × 6	10	8	6	13-3/4	11-7/8	3	4	360
135338	10 × 8 × 8	10	8	8	16-3/4	12-3/4	3	4	380
135341	10 × 10 × 10	10	10	10	20-1/4	15-13/16	3	4	420
135348	12 × 12 × 12	12	12	12	23	17-1/2	3	2	540



– E.&O.E. – Subject to Change Without Notice – May Not Be Available At All Locations –

STRAIGHT CONE WYES

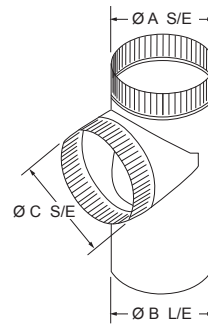
ITEM #	SIZE (")	A (")	B (")	C (")	CTN/QTY	WT/100
563200	6 × 6 × 6	6	6	6	12	200
563201	8 × 6 × 6	8	6	6	12	270
563202	8 × 8 × 6	8	8	6	6	300
563204	10 × 8 × 6	10	8	6	12	370
563205	10 × 8 × 8	10	8	8	6	450
563206	10 × 10 × 6	10	10	6	4	490
563207	10 × 10 × 8	10	10	8	4	520
563209	12 × 8 × 8	12	8	8	4	480
563210	12 × 10 × 8	12	10	8	4	560
563211	12 × 10 × 10	12	10	10	4	540
563212	12 × 12 × 6	12	12	6	4	560
563213	12 × 12 × 8	12	12	8	2	590
563214	12 × 12 × 10	12	12	10	2	620
563216	14 × 10 × 8	14	10	8	2	660
563217	14 × 10 × 10	14	10	10	4	710
563224	14 × 12 × 9	14	12	9	4	740
563218	14 × 12 × 10	14	12	10	4	750
563219	14 × 12 × 12	14	12	12	3	790
563220	14 × 14 × 6	14	14	6	2	750
563221	14 × 14 × 8	14	14	8	2	800
563222	14 × 14 × 10	14	14	10	2	850
563223	14 × 14 × 12	14	14	12	1	890
563226	16 × 12 × 10	16	12	10	2	980
563227	16 × 12 × 12	16	12	12	2	1040
563228	16 × 14 × 10	16	14	10	2	1090
563229	16 × 14 × 12	16	14	12	2	1190
563230	16 × 14 × 14	16	14	14	2	1250
563233	18 × 14 × 14	18	14	14	1	1400
563234	18 × 16 × 12	18	16	12	2	1400
563235	18 × 16 × 14	18	16	14	1	1500
563236	18 × 16 × 16	18	16	16	2	1600
563237	18 × 18 × 18	18	18	18	2	1700



– E.&O.E. – Subject to Change Without Notice – May Not Be Available At All Locations –

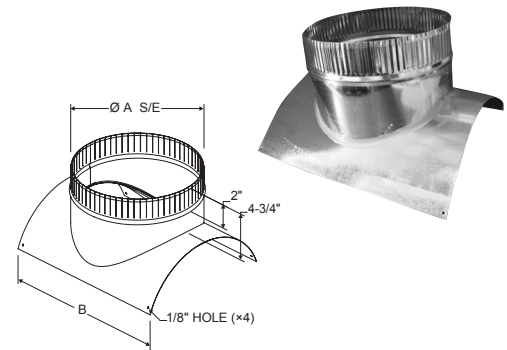
AIR CUSHION TEES

ITEM #	SIZE (")	A (")	B (")	C (")	GA	CTN/QTY	WT/100
502840	6 × 6 × 6	6	6	6	26	10	280
502850	8 × 8 × 8	8	8	8	26	5	450
502860	10 × 10 × 10	10	10	10	26	4	660
502870	12 × 12 × 12	12	12	12	26	2	910



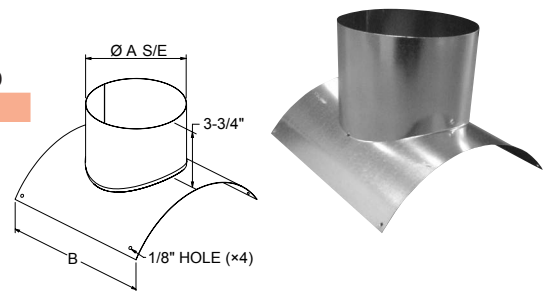
SADDLE TEES — GALVANIZED

ITEM #	SIZE	A (")	B (")	TO FIT PIPE DIAMETER	GA	CTN/QTY	WT/100
133124	4" × 90°	4	8	8, 10, 12, 14, 16	26	40	72
133125	5" × 90°	5	9	8, 10, 12, 14	26	25	85
133126	6" × 90°	6	10	10, 12, 14	26	20	110
133127	7" × 90°	7	11	12, 14	26	20	125
133128	8" × 90°	8	12	12, 14	26	20	143
133129	9" × 90°	9	13	14, 16	26	10	156
133130	10" × 90°	10	14	14, 16	26	10	170
133132	12" × 90°	12	18	14, 16	26	6	211



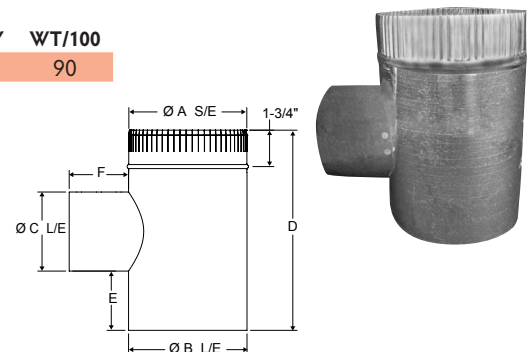
SADDLE TEES — GALVANIZED — NO CRIMP

ITEM #	SIZE	A (")	B (")	TO FIT PIPE DIAMETER	GA	CTN/QTY	WT/100
133106	6" × 90°	6	10	10, 12, 14	30	20	90



TEES — 30 GAUGE

ITEM #	SIZE (")	A (")	B (")	C (")	D (")	E (")	F (")	CTN/QTY	WT/100
135690	6 × 6 × 6	6	6	6	10-1/2	2-1/4	2-1/2	20	90



– E.&O.E. – Subject to Change Without Notice – May Not Be Available At All Locations –

TEES — 26 GAUGE

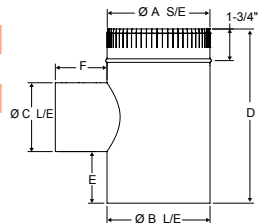
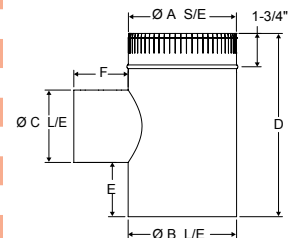
ITEM #	SIZE (")	A (")	B (")	C (")	D (")	E (")	F (")	CTN/QTY	WT/100
135380	3 x 3 x 3	3	3	3	8	2-1/2	2-1/2	20	65
135399	4 x 4 x 3	4	4	3	9	3	2-1/4	20	110
135398	4 x 4 x 4	4	4	4	9	2-1/2	2-1/2	20	100
135403	5 x 4 x 4	5	4	4	10	3-1/2	2-3/4	26	140
135400	5 x 5 x 3	5	5	3	8	2-1/8	2-1/2	20	115
135401	5 x 5 x 4	5	5	4	9	2	2-1/2	20	120
135402	5 x 5 x 5	5	5	5	10	2	2-1/4	20	130
135701	6 x 4 x 4	6	4	4	10	3	2-1/2	26	135
135699	6 x 6 x 3	6	6	3	8	2-1/2	2-1/4	20	135
135700	6 x 6 x 4	6	6	4	9	2	2-1/2	20	135
135698	6 x 6 x 5	6	6	5	10	2	2-1/2	20	150
135697	6 x 6 x 6	6	6	6	10-1/2	2-1/4	2-1/2	20	165
135702	7 x 7 x 3	7	7	3	8	2-3/4	2-1/4	10	190
135703	7 x 7 x 4	7	7	4	8	2-1/2	2-1/2	10	200
135704	7 x 7 x 5	7	7	5	10	2	2-3/8	10	210
135706	7 x 7 x 6	7	7	6	11	2-1/4	2-1/2	10	215
135707	7 x 7 x 7	7	7	7	11-1/2	2-1/4	2-1/2	10	220
136003	8 x 8 x 3	8	8	3	10	2-1/2	2-1/4	10	260
136004	8 x 8 x 4	8	8	4	9	2-1/2	2-1/2	10	265
136005	8 x 8 x 5	8	8	5	10	2-1/2	2-1/2	10	265
136006	8 x 8 x 6	8	8	6	11	2-1/8	2-1/2	10	265
136017	8 x 8 x 7	8	8	7	13	3	3	10	270
136018	8 x 8 x 8	8	8	8	13	2	2-1/2	10	270
136199	9 x 9 x 9	9	9	9	14	2-1/2	2-1/2	10	425
136201	10 x 10 x 10	10	10	10	15	2-1/2	2-1/2	6	400
136202	12 x 12 x 12	12	12	12	17	2-1/8	2-1/2	4	480
136204	14 x 14 x 14	13-15/16	13-15/16	13-15/16	18	2-1/2	2-1/2	*	860

*Product shipped individually.

TEES — 24 GAUGE

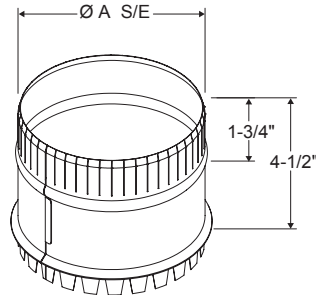
ITEM #	SIZE (")	A (")	B (")	C (")	D (")	E (")	F (")	CTN/QTY	WT/100
135397	4 x 4 x 4	4	4	4	9	2-1/2	2-1/2	20	105
135405	5 x 5 x 5	5	5	5	10	2-1/2	2-1/2	20	165
135692	6 x 6 x 6	6	6	6	10-1/2	2-1/4	2-1/2	20	212
135710	7 x 7 x 7	7	7	7	11-1/2	2-1/4	2-1/2	10	280
136020	8 x 8 x 8	8	8	8	13	2	2-1/2	10	345
136022	10 x 10 x 10	10	10	10	15	2-1/2	2-1/2	6	505
136024	12 x 12 x 12	12	12	12	17	2-1/8	2-1/2	4	567
136026	14 x 14 x 14	13-15/16	13-15/16	13-15/16	18	2-1/2	2-1/2	*	625
136028	16 x 16 x 16	15-15/16	15-15/16	15-15/16	22	3	3	*	892
136030	18 x 18 x 18	17-7/8	17-7/8	17-7/8	24	3-1/4	3	*	950

*Product shipped individually.



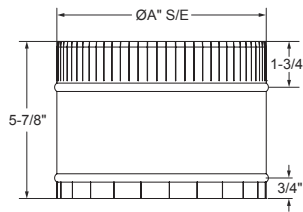
TAP-IN COLLARS SMALL END (STARTING COLLARS)

ITEM #	SIZE (")	A (")	PCS/BNDL	WT/100
133300	3	3	5	25
133400	4	4	5	33
133500	5	5	10	41
133600	6	6	10	48
133700	7	7	10	56
133800	8	8	10	63
133900	9	9	10	71
134190	9-1/4	9-1/4	10	76
134000	10	10	10	78
134120	12	12	10	111
134140	14	13-15/16	10	129
134160	16	15-15/16	10	147
134180	18	17-7/8	10	165



TAP-IN COLLARS SMALL END LONG — SEAM WELDED

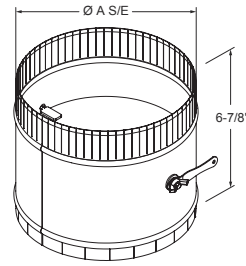
ITEM #	SIZE (")	A (")	PCS/BNDL	WT/100
134224	4	4	20	35
134225	5	5	20	43
134226	6	6	20	52
134227	7	7	20	60
134228	8	8	10	82
134229	9	9	10	93
134230	10	10	8	103
134232	12	12	8	123
134234	14	14	8	143
134236	16	16	*	164
134238	18	18	*	184



*Product shipped individually.

TAP-IN COLLARS SMALL END LONG WITH DAMPER

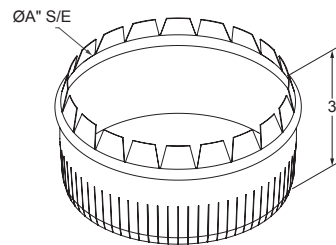
ITEM #	SIZE (")	A (")	PCS/BNDL	WT/100
134206	6	6	20	60
134207	7	7	20	68
134208	8	8	10	78
134210	10	10	8	96
134212	12	12	8	137
134214	14	14	8	159
134216	16	16	*	181
134218	18	18	*	203



*Product shipped individually.

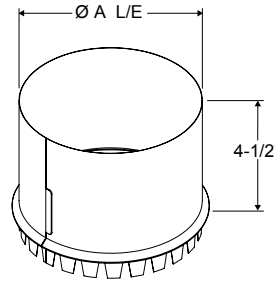
TAP-IN COLLARS SMALL END — 3" LONG

ITEM #	SIZE (")	A (")	PCS/BNDL	WT/100
050333	3	3	40	14
050334	4	4	40	18
050335	5	5	25	22
050340	6	6	20	25
050347	7	7	25	31
050348	8	8	20	35
050349	9	9	20	39
050350	10	10	20	44
050352	12	12	20	52
050354	14	14	10	61
050356	16	16	20	69
050358	18	18	10	78



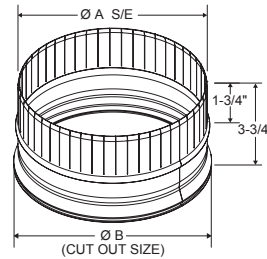
TAP-IN COLLARS LARGE END (STARTING COLLARS)

ITEM #	DESCRIPTION	A (")	PCS/BNDL	WT/100
133301	3"	3	5	26
133401	4"	4	5	34
133501	5"	5	10	41
133601	6"	6	10	49
133701	7"	7	10	56
133801	8"	8	10	64
133901	9"	9	10	71
134001	10"	10	10	79
134121	12"	12	10	112
134129	12" X-OVER KIT	12	KIT	112
134141	14"	13-15/16	10	130
134161	16"	15-15/16	10	148
134181	18"	17-7/8	10	166



SPIN-IN COLLARS — 4" LONG

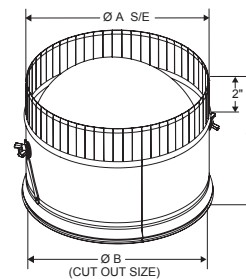
ITEM #	SIZE (")	A (")	B (")	GA	CTN/QTY	WT/100
502604	4	4	3-3/4	26	40	40
502605	5	5	4-3/4	26	40	52
502606	6	6	5-3/4	26	40	62
502607	7	7	6-3/4	26	40	73
502608	8	8	7-3/4	26	40	78
502609	9	9	8-3/4	26	20	90
502610	10	10	9-3/4	26	20	110
502612	12	12	11-3/4	26	10	139
502614	14	13-15/16	13-9/16	26	*	158
502616	16	15-15/16	15-9/16	26	*	135
502618	18	17-7/8	17-1/2	26	*	151
502620	20	19-7/8	19-1/2	24	*	214



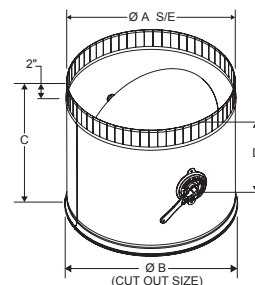
*Product shipped individually.

SPIN-IN COLLARS WITH DAMPER

ITEM #	SIZE (")	A (")	B (")	C (")	GA	CTN/QTY	WT/100
502744	4	4	3-3/4	6	26	20	77
502745	5	5	4-3/4	6	26	20	96
502746	6	6	5-3/4	6	26	25	114
502747	7	7	6-3/4	6	26	20	134
502748	8	8	7-3/4	7	26	20	171
502749	9	9	8-3/4	8	26	10	218
502750	10	10	9-3/4	9	26	10	262
502752	12	12	11-3/4	11	26	6	395



ITEM #	SIZE (")	A (")	B (")	C (")	D (")	GA	CTN/QTY	WT/100
502734	14	13-15/16	13-9/16	13	6-1/2	26	*	517
502736	16	15-15/16	15-9/16	15	7-1/2	26	*	675
502738	18	17-7/8	17-1/2	17	8-1/2	26	*	848
502740	20	19-7/8	19-1/2	19	9-1/2	24	*	1212



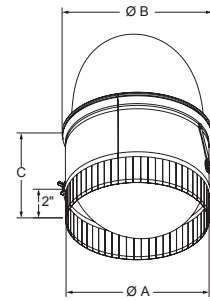
NOTE: Sizes 14" through 20" include a 3/8" continuous rod damper.

*Product shipped individually.

-E.&O.E. - Subject to Change Without Notice - May Not Be Available At All Locations -

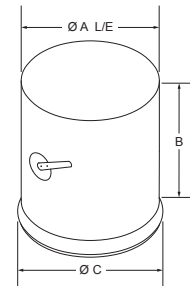
SPIN-IN COLLARS WITH DAMPER AND SCOOP

ITEM #	SIZE (")	A (")	B (")	C (")	GA	CTN/QTY	WT/100
502585	5	4	4-3/4	6	28	20	100
502586	6	5	5-3/4	6	28	20	115
502587	7	6	6-3/4	6	28	20	145
502588	8	7	7-3/4	7	28	15	175
502589	9	8	8-3/4	8	28	12	200
502590	10	9	9-3/4	9	26	6	245
502592	12	12	11-3/4	11	26	6	299



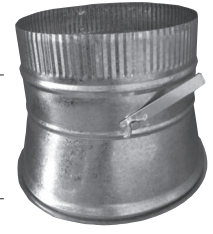
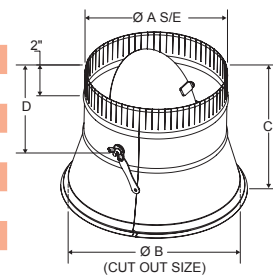
SPIN-IN COLLARS WITH DAMPER (KS-145 REGULATOR)

ITEM #	SIZE (")	A (")	B (")	C (")	D (")	GA	CTN/QTY	WT/100
502704	4	4	3-3/4	5	2	26	40	65
502705	5	5	4-3/4	5-7/16	2	26	40	93
502706	6	6	5-3/4	6-7/16	2-1/2	26	20	125
502707	7	7	6-3/4	7-1/2	3	26	20	153
502708	8	8	7-3/4	7-3/4	3-1/2	26	20	183
502709	9	9	8-3/4	9-1/4	4	26	10	245
502710	10	10	9-3/4	10-1/4	4-1/2	26	10	300
502712	12	12	11-3/4	12-1/4	5-1/2	26	6	450
502714	14	13-15/16	13-9/16	14-1/4	6-1/2	26	2	660

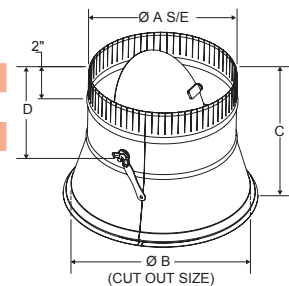


CONICAL SPIN-IN COLLARS WITH DAMPER

ITEM #	SIZE (")	A (")	B (")	C (")	D (")	GA	CTN/QTY	WT/100
502545	5	5	7	7-7/8	3-1/8	26	20	160
502546	6	6	8	7-7/8	3-1/8	26	25	180
502547	7	7	9	7-7/8	3-1/8	26	20	190
502548	8	8	10	7-7/8	3 1/8	26	20	200
502549	9	9	12	8-3/8	3-7/8	26	10	255
502550	10	10	12	8-3/8	3-7/8	26	10	305
502552	12	12	13-15/16	10-3/8	4-7/8	26	5	420



ITEM #	SIZE (")	A (")	B (")	C (")	D (")	GA	CTN/QTY	WT/100
502554	14	13-15/16	15-7/8	13	6-1/2	26	*	530
502556	16	15-15/16	17-7/8	14-3/4	7-1/2	26	*	640
502558	18	17-7/8	19-7/8	16-3/4	8-1/2	26	*	760
502560	20	19-7/8	21-7/8	18-3/4	9-1/2	24	*	980

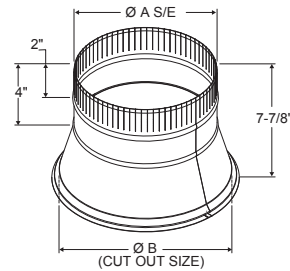


NOTE: Sizes 14" through 20" include a 3/8" continuous rod damper.

*Product shipped individually.

CONICAL SPIN-IN COLLARS

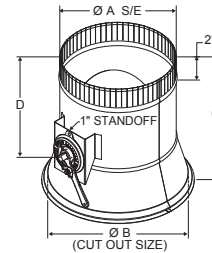
ITEM #	SIZE (")	A (")	B (")	GA	CTN/QTY	WT/100
502525	5	5	7	26	40	95
502526	6	6	8	26	30	105
502527	7	7	9	26	20	120
502528	8	8	10	26	20	130
502529	9	9	12	26	10	145
502530	10	10	12	26	10	160
502532	12	12	13-15/16	26	10	205
502534	14	13-15/16	15-7/8	26	*	235
502536	16	15-15/16	17-7/8	26	*	265
502538	18	17-7/8	19-7/8	26	*	307
502540	20	19-7/8	21-7/8	24	*	460



*Product shipped individually.

CONICAL STANDOFFS — WITH 3/8" ROD DAMPER

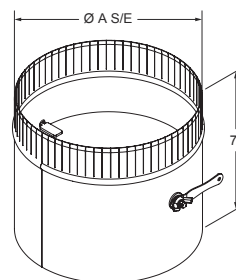
ITEM #	SIZE (")	A (")	B (")	C (")	D (")	GA	CTN/QTY	WT/100
502565	5	5	7	10-3/4	6	26	20	195
502566	6	6	8	10-3/4	6	26	20	225
502567	7	7	9	10-3/4	6	26	10	253
502568	8	8	10	10-3/4	6	26	10	280
502569	9	9	12	10-3/4	6	26	10	313
502570	10	10	12	10-3/4	6	26	10	340
502572	12	12	13-15/16	11	6	26	5	393
502574	14	13-15/16	15-7/8	13	6-1/2	26	4	490
502576	16	15-15/16	17-7/8	15	7-1/2	26	*	630
502578	18	17-7/8	19-7/8	17	8-1/2	26	*	768



*Product shipped individually.

SLEEVES WITH DUAL STEM DAMPERS

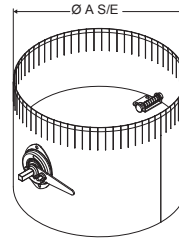
ITEM #	SIZE (")	A (")	GA	CTN/QTY	WT/100
596024	4	4	28	20	73
596025	5	5	28	20	75
596026	6	6	28	20	104
596027	7	7	28	10	146
596028	8	8	28	10	172
596030	10	10	28	10	255
596032	12	12	28	5	364



- E.&O.E. - Subject to Change Without Notice - May Not Be Available At All Locations -

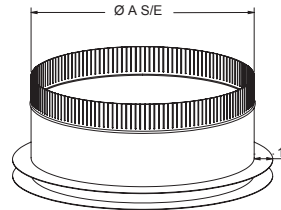
SLEEVES WITH DAMPERS (KS-145 REGULATOR)

ITEM #	SIZE (")	A (")	GA	CTN/QTY	WT/100
596004	4	4	26	50	73
596005	5	5	26	50	75
596006	6	6	26	50	104
596007	7	7	26	30	146
596008	8	8	26	30	172
596010	10	10	26	16	255
596012	12	12	26	8	364



DUCTBOARD SPIN-IN

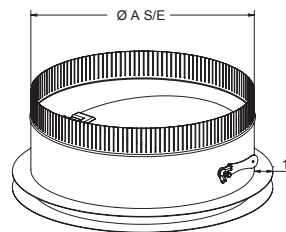
ITEM #	SIZE (")	A (")	CTN/QTY	WT/100
502646	6	6	*	90
502647	7	7	*	100
502648	8	8	*	110
502649	9	9	*	125
502650	10	10	*	140
502652	12	12	*	170
502654	14	14	*	190
502656	16	16	*	210



*Product shipped individually.

DUCTBOARD SPIN-IN WITH DAMPER

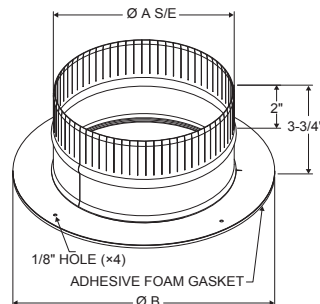
ITEM #	SIZE (")	A (")	CTN/QTY	WT/100
502626	6	6	*	110
502628	8	8	*	150
502630	10	10	*	240
502632	12	12	*	300
502634	14	14	*	360
502636	16	16	*	520
502638	18	18	*	580



*Product shipped individually.

ECCO-SEAL — FLAT

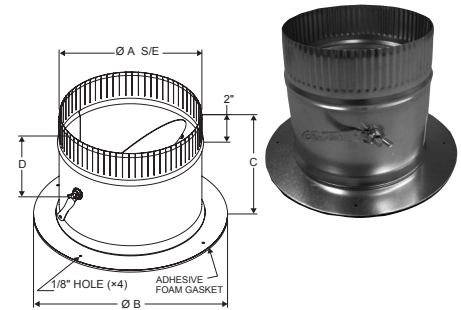
ITEM #	SIZE (")	A (")	B (")	GA	CTN/QTY	WT/100
504004	4	4	7	26	20	55
504005	5	5	8	26	20	67
504006	6	6	9	26	20	80
504007	7	7	10	26	20	92
504008	8	8	11	26	20	104
504009	9	9	12	26	20	116
504010	10	10	13	26	20	129
504012	12	12	15	26	10	153
504014	14	13-15/16	17	26	10	177
504016	16	15-15/16	19	26	10	202
504018	18	17-7/8	21	26	10	226
504020	20	19-7/8	23	24	5	314



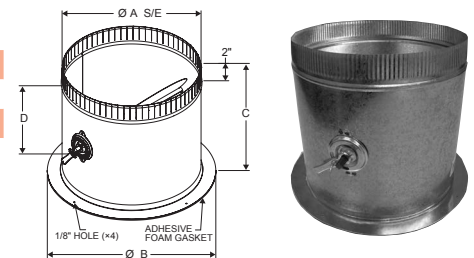
— E.&O.E. — Subject to Change Without Notice — May Not Be Available At All Locations —

ECCO-SEAL — FLAT WITH DAMPER

ITEM #	SIZE (")	A (")	B (")	C (")	D (")	GA	CTN/QTY	WT/100
504034	4	4	7	6	3-1/4	26	20	98
504035	5	5	8	6	3-1/4	26	25	121
504036	6	6	9	6	3-1/4	26	20	143
504037	7	7	10	6	3-1/4	26	20	166
504038	8	8	11	7	3-3/4	26	20	208
504039	9	9	12	8	4-1/4	26	10	258
504040	10	10	13	9	4-3/4	26	10	307
504042	12	12	15	11	5-3/4	26	4	447



ITEM #	SIZE (")	A (")	B (")	C (")	D (")	GA	CTN/QTY	WT/100
504044	14	13-15/16	17	13	6-1/2	26	*	573
504046	16	15-15/16	19	15	7-1/2	26	*	729
504048	18	17-7/8	21	17	8-1/2	26	*	896
504050	20	19-7/8	23	19	9-1/2	24	*	1395

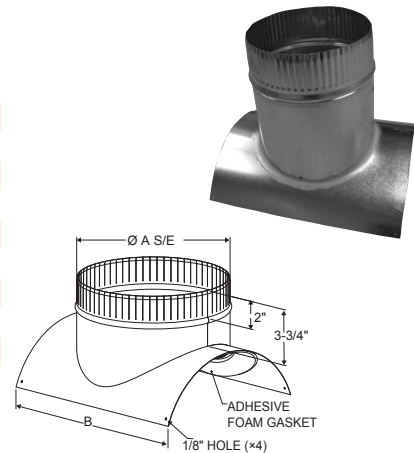


NOTE: Sizes 14" through 20" include a 3/8" continuous rod damper.

*Product shipped individually.

ECCO-SEAL — RADIUS

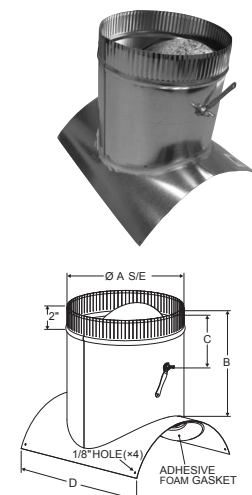
ITEM #	SIZE (")	A (")	B (")	TO FIT PIPE DIAMETER	GA	CTN/QTY	WT/100
504054	4	4	8	8, 10, 12, 14, 16	26	30	68
504055	5	5	9	8, 10, 12, 14	26	20	84
504056	6	6	10	10, 12, 14	26	20	101
504057	7	7	11	12, 14	26	20	119
504058	8	8	12	12, 14	26	20	140
504059	9	9	13	14, 16	26	10	158
504060	10	10	14	14, 16	26	10	182
504062	12	12	18	14, 16	26	5	237
504064	14	13-15/16	20	16, 18	26	*	290
504066	16	15-15/16	22	18, 20	26	*	347



*Product shipped individually.

ECCO-SEAL — RADIUS WITH DAMPER

ITEM #	SIZE (")	A (")	B (")	C (")	D (")	TO FIT PIPE DIAMETER	GA	CTN/QTY	WT/100
504074	4	4	6	3	8	8, 10, 12, 14, 16	26	20	110
504075	5	5	6	3	9	8, 10, 12, 14	26	20	137
504076	6	6	6	3	10	10, 12, 14	26	20	164
504077	7	7	6	3	11	12, 14	26	10	193
504078	8	8	7	3-1/2	12	12, 14	26	10	243
504079	9	9	8	4	13	14, 16	26	8	299
504080	10	10	9	4-1/2	14	14, 16	26	6	358
504082	12	12	11	5-1/2	18	14, 16	26	3	530
504084	14	13-15/16	13	6-1/2	20	16, 18	26	2	694
504086	16	15-15/16	15	7-1/2	22	18, 20	26	*	901



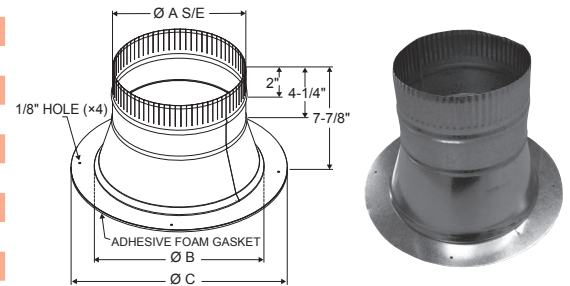
*Product shipped individually.

- E.&O.E. - Subject to Change Without Notice - May Not Be Available At All Locations -

ECCO-SEAL — CONICAL

ITEM #	SIZE (")	A (")	B (")	C (")	GA	CTN/QTY	WT/100
504094	4	4	6	9	26	20	152
504095	5	5	7	10	26	20	167
504096	6	6	8	11	26	20	182
504097	7	7	9	12	26	20	197
504098	8	8	10	13	26	10	212
504099	9	9	12	15	26	10	227
504100	10	10	12	15	26	10	242
504102	12	12	14	17	26	5	272
504104	14	13-15/16	16	19	26	5	302
504106	16	15-15/16	18	21	26	*	332

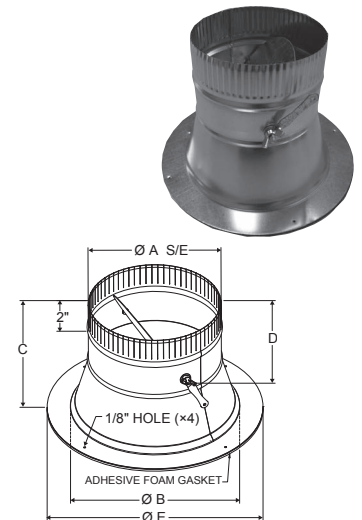
*Product shipped individually.



ECCO-SEAL — CONICAL WITH DAMPER

ITEM #	SIZE (")	A (")	B (")	C (")	D (")	E (")	GA	CTN/QTY	WT/100
504114	4	4	6	7-7/8	3-1/8	9	26	20	169
504115	5	5	7	7-7/8	3-1/8	10	26	20	189
504116	6	6	8	7-7/8	3-1/8	11	26	20	209
504117	7	7	9	7-7/8	3-1/8	12	26	20	220
504118	8	8	10	7-7/8	3-1/8	13	26	10	237
504119	9	9	12	8-3/8	3-7/8	15	26	10	290
504120	10	10	12	8-3/8	3-7/8	15	26	10	350
504122	12	12	14	10-3/8	4-7/8	17	26	5	472
504124	14	13-15/16	16	13	6-1/2	19	26	*	586
504126	16	15-15/16	18	14-3/4	7-1/2	21	26	*	698

*Product shipped individually.

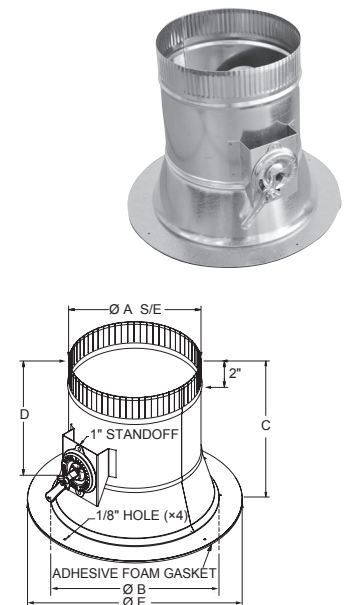


ECCO-SEAL — CONICAL WITH STANDOFF DAMPER

ITEM #	SIZE (")	A (")	B (")	C (")	D (")	E (")	GA	CTN/QTY	WT/100
504145	5	5	7	10-3/4	6	10	26	10	205
504146	6	6	8	10-3/4	6	11	26	10	243
504147	7	7	9	10-3/4	6	12	26	10	280
504148	8	8	10	10-3/4	6	13	26	10	320
504149	9	9	12	10-3/4	6	15	26	6	372
504150	10	10	12	10-3/4	6	15	26	6	403
504152	12	12	14	11	6	17	26	4	506
504154	14	13-15/16	16	13	6-1/2	19	26	*	638
504156	16	15-15/16	18	15	7-1/2	21	26	*	813
504158	18	17-7/8	20	17	8-1/2	23	26	*	1002

*Product shipped individually.

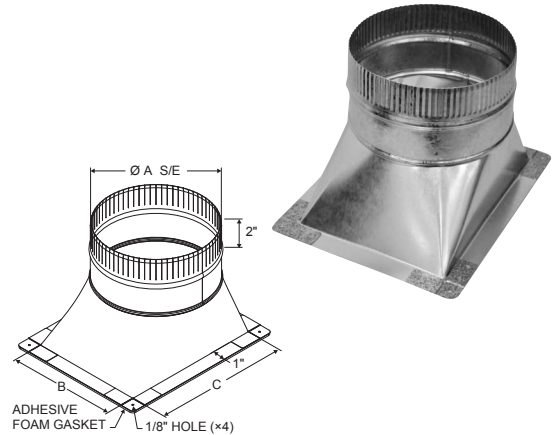
NOTE: The damper includes a 3/8" continuous rod damper.



ECCO-SEAL — HIGH EFFICIENCY TAKE OFF

ITEM #	SIZE (")	A (")	B (")	C (")	GA	CTN/QTY	WT/100
504164	4	4	4	6	24	20	97
504165	5	5	5	7	24	20	122
504166	6	6	6	8	24	20	168
504167	7	7	7	9	24	10	180
504168	8	8	8	10	24	10	250
504169	9	9	9	11	24	6	328
504170	10	10	10	12	24	6	359
504172	12	12	12	14	24	4	417
504174	14	14	14	16	24	*	599
504176	16	16	16	19	24	*	816

*Product shipped individually.



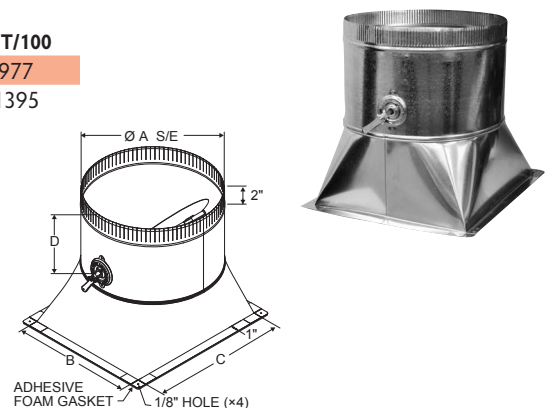
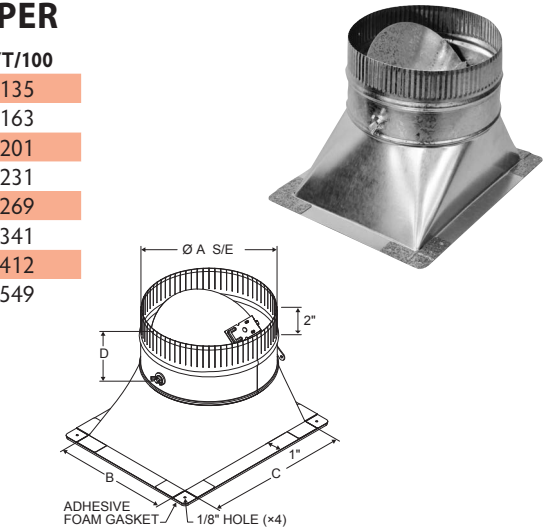
ECCO-SEAL — HIGH EFFICIENCY TAKE OFF WITH DAMPER

ITEM #	SIZE (")	A (")	B (")	C (")	D (")	GA	CTN/QTY	WT/100
504184	4	4	4	6	3-1/8	24	20	135
504185	5	5	5	7	3-1/8	24	20	163
504186	6	6	6	8	3-1/8	24	20	201
504187	7	7	7	9	3-1/8	24	10	231
504188	8	8	8	10	3-1/8	24	10	269
504189	9	9	9	11	3-7/8	24	6	341
504190	10	10	10	12	3-7/8	24	6	412
504192	12	12	12	14	4-7/8	24	4	549

504194	14	14	14	16	6-1/2	24	*	977
504196	16	16	16	19	7-1/2	24	*	1395

*Product shipped individually.

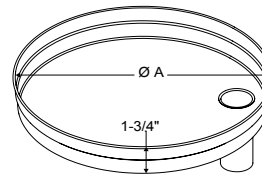
NOTE: Sizes 14" through 16" include a 3/8" continuous rod damper.



DRAIN PANS — SPUN ROUND — 1" HIGH — BOTTOM MOUNT — 1-1/2" TAIL PIECE INCLUDED

ITEM #	SIZE (")	A (")	CTN/QTY	WT/100
138800	22	21-7/8	12	250
138900	24	23-7/8	10	300
139000	26	25-7/8	6	350
139002	31	30-1/2	*	770

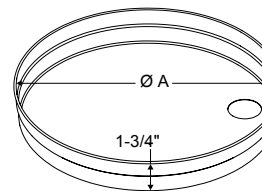
*Product shipped individually.



DRAIN PANS — SPUN ROUND — 1" HIGH — BOTTOM HOLE ONLY

ITEM #	SIZE (")	A (")	CTN/QTY	WT/100
138801	22	21-7/8	*	230
138901	24	23-7/8	*	320
139001	26	25-7/8	*	350
138790	20	19-7/8	*	305
139024	28	27-7/8	*	567
139005	31	30-1/2	*	664

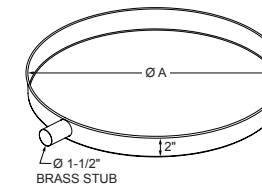
*Product shipped individually.



DRAIN PANS — SPUN ROUND — 2" HIGH — SIDE STUB

ITEM #	SIZE (")	A (")	CTN/QTY	WT/100
138821	22	21-1/2	*	425
138921	24	23-3/4	*	493
139003	26	25-1/2	*	703
139025	28	27-1/2	*	646
139004	31	30-1/2	*	815

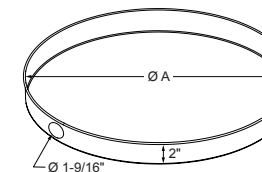
*Product shipped individually.



DRAIN PANS — SPUN ROUND — 2" HIGH — SIDE HOLE ONLY

ITEM #	SIZE (")	A (")	CTN/QTY	WT/100
138822	22	21-1/2	*	425
138922	24	23-3/4	*	493
139021	26	25-1/2	*	566
139026	28	27-1/2	*	646
139007	31	30-1/2	*	815

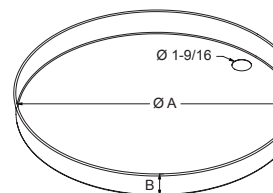
*Product shipped individually.



DRAIN PANS — SPUN ROUND — 2" HIGH — BOTTOM HOLE ONLY

ITEM #	SIZE (")	A (")	B (")	CTN/QTY	WT/100
138820	22	21-1/2	2	*	426
138920	24	23-3/4	2	*	494
139022	26	25-1/2	2	*	703
139027	27 - 28	27 - 28	2	*	646

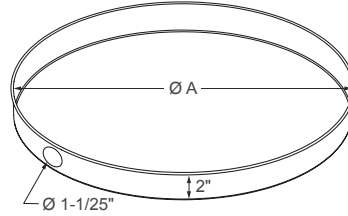
*Product shipped individually.



DRAIN PANS — SPUN ROUND — 2" HIGH — C/W PVC FITTING

ITEM #	SIZE (")	A (")	CTN/QTY	WT/100
138791	20	19-1/2	*	305
138823	22	21-1/2	*	425
138830	24	23-3/4	*	600
138930	26	25-1/2	*	703
138998	28	27-1/2	*	441
138999	31	30-1/2	*	527

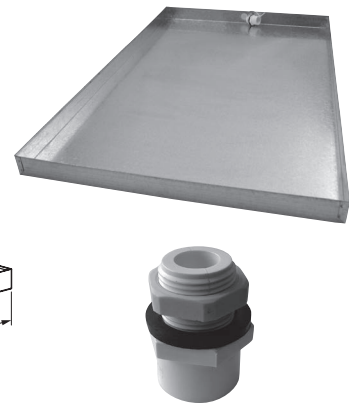
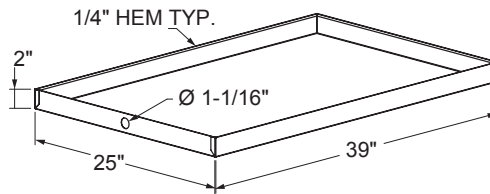
*Product shipped individually.



DRAIN PANS — 2" HIGH — C/W PVC FITTING

ITEM #	SIZE (")	CTN/QTY	WT/100
139045	25 x 39	*	807

*Product shipped individually.



PVC FITTING

ITEM #	DESCRIPTION	DIA (")	CTN/QTY	WT/100
798106	PVC Drain Pan Fitting	1-1/50	*	5

*Product shipped individually.

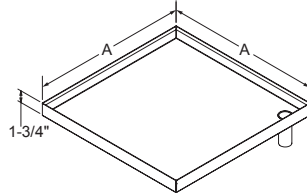


DRAIN PANS — SQUARE — 2" HIGH — 1-1/2" TAIL PIECE INCLUDED

BOTTOM STUB

ITEM #	SIZE (")	A (")	CTN/QTY	WT/100
138902	24 × 24	24	*	700
138923	26 × 26	26	*	703

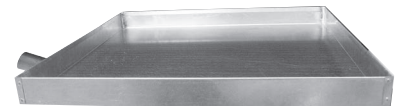
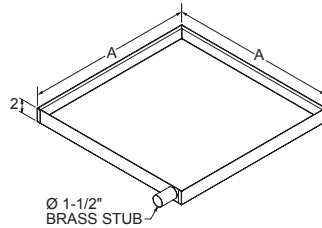
*Product shipped individually.



SIDE STUB — LEFT

ITEM #	SIZE (")	A (")	CTN/QTY	WT/100
138903	24 × 24	24	*	700
138924	26 × 26	26	*	703

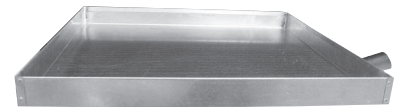
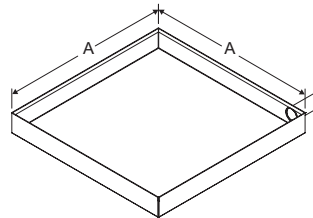
*Product shipped individually.



SIDE STUB — RIGHT

ITEM #	SIZE (")	A (")	CTN/QTY	WT/100
138905	24 × 24	24	*	700
138925	26 × 26	26	*	703

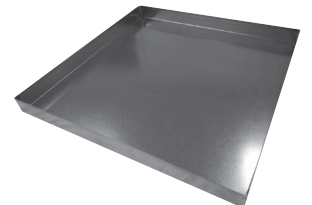
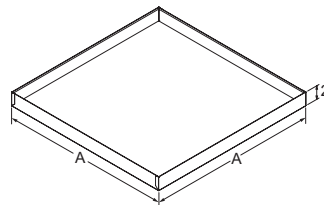
*Product shipped individually.



DRAIN PANS — SQUARE — 2" HIGH NO HOLE

ITEM #	SIZE (")	A (")	CTN/QTY	WT/100
138904	24	24	*	425
138997	26	26	*	567

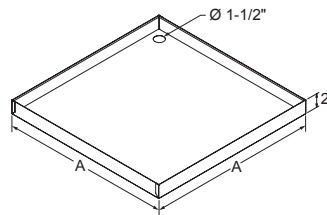
*Product shipped individually.



BOTTOM HOLE ONLY

ITEM #	SIZE (")	A (")	CTN/QTY	WT/100
138996	26	26	*	567

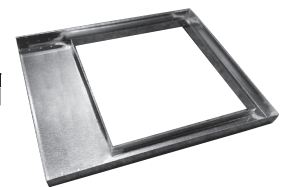
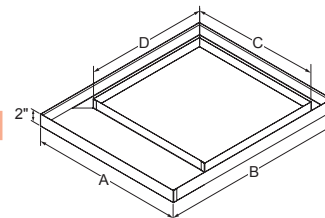
*Product shipped individually.



DRAIN PAN WITH OPENING

ITEM #	SIZE (")	A (")	B (")	OPENING		GA	CTN/QTY	WT/100
				C (")	D (")			
139040	25 × 30	25	30	21	20	26	*	475

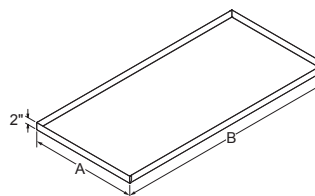
*Product shipped individually.



DRAIN PAN — EQUIPMENT

ITEM #	SIZE (")	A (")	B (")	GA	CTN/QTY	WT/100
139030	30 × 63	30	63	26	*	1495

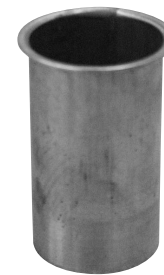
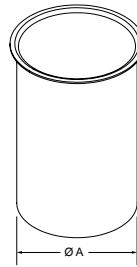
*Product shipped individually.



— E.&O.E. — Subject to Change Without Notice — May Not Be Available At All Locations —

BRASS TAIL PIECE — ONLY

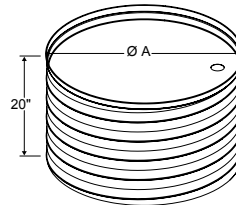
ITEM #	SIZE (")	A (")	CTN/QTY	WT/100
798100	1-1/2 × 2-5/8	1-1/2	25	12



WATER TANK STANDS

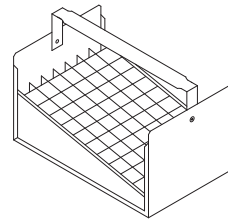
ITEM #	SIZE (")	A (")	CTN/QTY	WT/100
139010	24	23-7/8	*	1600
139012	26	25-7/8	*	1800

*Product shipped individually.



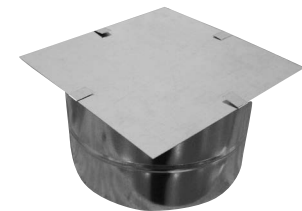
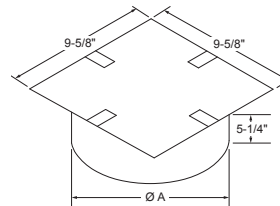
NPT PIPE NIPPLE CADDY

ITEM #	SIZE (")	CTN/QTY	WT/100
139301	1/2"	4	500
139303	3/4"	3	555
139305	1"	3	650



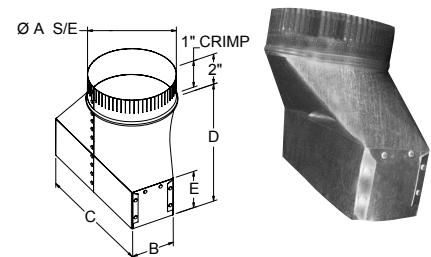
STRANKO BOXES

ITEM #	DESCRIPTION	A (")	CTN/QTY	WT/100
139309	9" Round	9	10	204



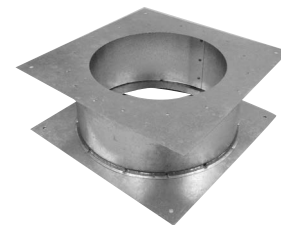
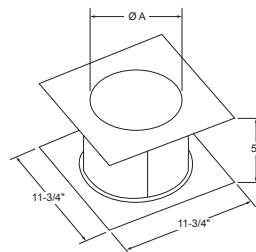
RANGE HOOD TRANSITIONS (ADAPTERS)

ITEM #	SIZE (")	A (")	B (")	C (")	D (")	E (")	CTN/QTY	WT/100
138400	4 – 3-1/4 × 10	4	3-1/4	10	6-3/8	3	40	70
138500	5 – 3-1/4 × 10	5	3-1/4	10	5-3/8	2-1/2	50	75
138600	6 – 3-1/4 × 10	6	3-1/4	10	6-1/4	3	30	90
138700	7 – 3-1/4 × 10	7	3-1/4	10	5-1/2	2-1/2	30	100
138750	8 – 3-1/4 × 10	8	3-1/4	10	7-1/2	2-1/2	20	115



THIMBLES — WALL

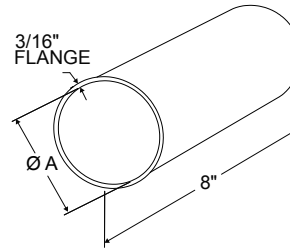
ITEM #	SIZE (")	A (")	CTN/QTY	WT/100
137294	4	4-3/4	10	365



– E.&O.E. – Subject to Change Without Notice – May Not Be Available At All Locations –

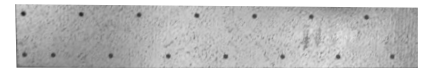
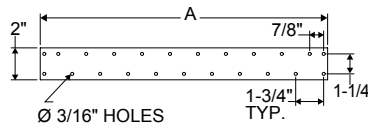
THIMBLES

ITEM #	SIZE (")	A (")	CTN/QTY	WT/100
137400	4	5-1/8	10	50
137500	5	6-1/8	10	60
137600	6	7-1/8	10	80
137800	8	9-1/8	6	100



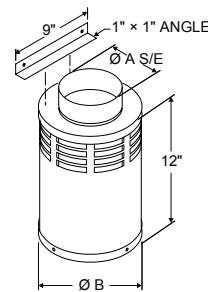
NAILING STRIPS

ITEM #	SIZE (")	A (")	GA	PCS/BNDL	WT/100
150025	18	18	16	20	63
150026	24	24	16	20	84
150028	18	18	18	20	51
150029	24	24	18	20	68



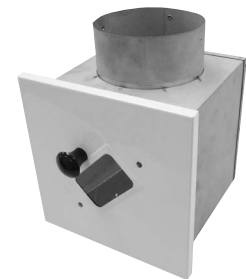
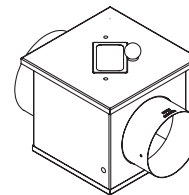
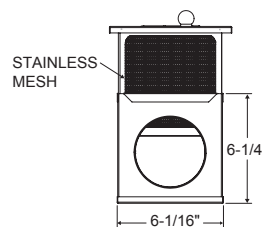
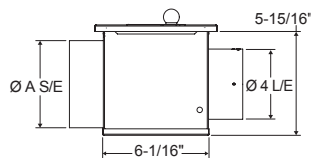
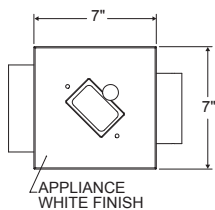
COMBUSTION AIR POTS

ITEM #	SIZE (")	A (")	B (")	CTN/QTY	WT/100
139204	4	4	7	9	263
139205	5	5	8	8	315
139206	6	6	9	5	376
139207	7	7	10	4	423
139208	8	8	11	3	490



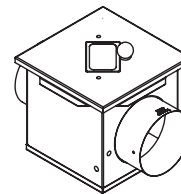
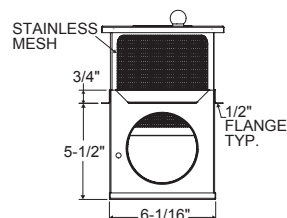
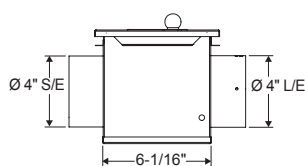
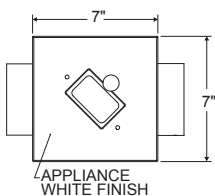
LINT TRAPS — 180° NO FLANGE

ITEM #	SIZE (")	A (")	CTN/QTY	WT/100
599700	4 - 5	5	15	240
599701	4 - 4	4	15	235



LINT TRAPS — 180° WITH FLANGE

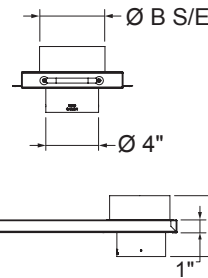
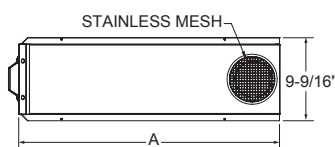
ITEM #	SIZE (")	CTN/QTY	WT/100
599703	4 - 4	1	235



- E.&O.E. - Subject to Change Without Notice - May Not Be Available At All Locations -

LINT TRAPS — SLIM LINE (PATENTED)

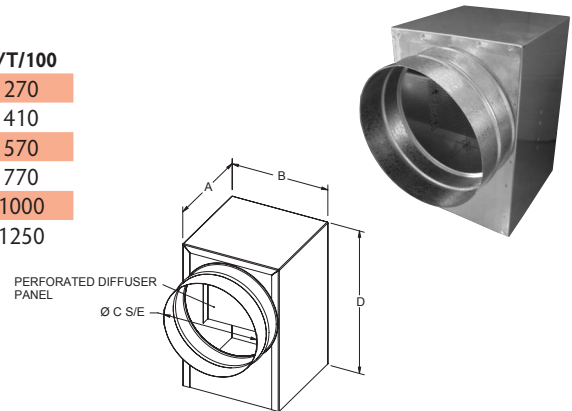
ITEM #	SIZE (")	A (")	B (")	CTN/QTY	WT/100
599704	4 - 5 × 28-1/2	28 - 1/2	5	2	600
599706	4 - 5 × 30-1/2	30 - 1/2	5	2	610
599707	4 - 4 × 30-1/2	30 - 1/2	4	2	610



REGISTER BOX WITH SCREEN

ITEM #	SIZE (")	A (")	B (")	C (")	D (")	CTN/QTY	WT/100
562906	6 × 6 × 6	6	6-1/4	6	10 - 1/2	*	270
562908	8 × 8 × 8	8	8-1/4	8	12 - 1/2	*	410
562910	10 × 10 × 10	10	10-1/4	10	14 - 1/2	*	570
562912	12 × 12 × 12	12	12-1/4	12	16 - 1/2	*	770
562914	14 × 14 × 14	14	14-1/4	13-15/16	18 - 1/2	*	1000
562916	16 × 16 × 16	16	16-1/4	15-15/16	20 - 1/2	*	1250

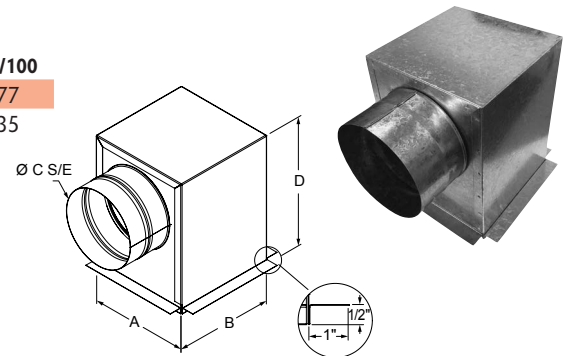
*Product shipped individually.



REGISTER BOX WITH 1" FLANGE

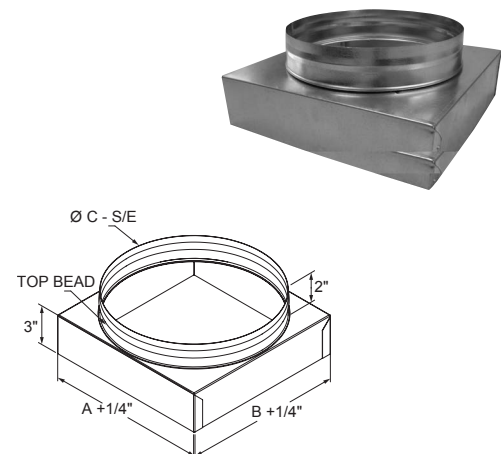
ITEM #	SIZE (")	A (")	B (")	C (")	D (")	CTN/QTY	WT/100
562918	8 × 8 × 6	8	8	6	10-1/2	*	377
562920	10 × 10 × 8	10	10	8	12-1/2	*	535

*Product shipped individually.



SQUARE TO ROUND ADAPTERS

ITEM #	SIZE (")	A (")	B (")	C (")	GA	CTN/QTY	WT/100
563010	6 × 6-6	6	6	6	26	*	90
563016	8 × 8-6	8	8	6	26	*	100
563020	8 × 8-8	8	8	8	26	*	110
563027	9 × 9-8	9	9	8	26	*	120
563030	9 × 9-9	9	9	9	26	*	125
563039	10 × 10-8	10	10	8	26	*	140
563040	10 × 10-10	10	10	10	26	*	150
563056	12 × 12-6	12	12	6	26	*	180
563058	12 × 12-8	12	12	8	26	*	185
563059	12 × 12-10	12	12	10	26	*	175
563060	12 × 12-12	12	12	12	26	*	170
563079	14 × 14-12	14	14	12	26	*	230



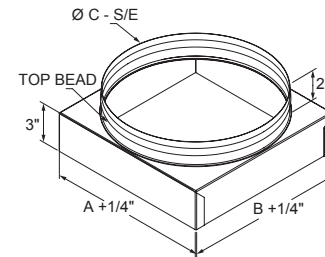
(cont'd on next page)

-E.&O.E. - Subject to Change Without Notice - May Not Be Available At All Locations -

SQUARE TO ROUND ADAPTERS (cont'd)

ITEM #	SIZE (")	A (")	B (")	C (")	GA	CTN/QTY	WT/100
563080	14 x 14-14	14	14	14	26	*	230
563090	15 x 15-14	15	15	14	26	*	240
563099	16 x 16-14	16	16	14	26	*	260
563100	16 x 16-16	16	16	16	26	*	260
563119	18 x 18-16	18	18	16	26	*	330
563120	18 x 18-18	18	18	18	26	*	330
563139	20 x 20-18	20	20	18	26	*	360
563140	20 x 20-20	20	20	20	26	*	360
563157	22 x 10-6	22	10	6	26	*	190
563159	22 x 10-8	22	10	8	26	*	200
563160	22 x 10-10	22	10	10	26	*	210
563184	22 x 22-12	22	22	12	26	*	350
563185	22 x 22-14	22	22	14	26	*	350
563186	22 x 22-16	22	22	16	26	*	360
563187	22 x 22-18	22	22	18	26	*	370
563188	22 x 22-20	22	22	20	26	*	380

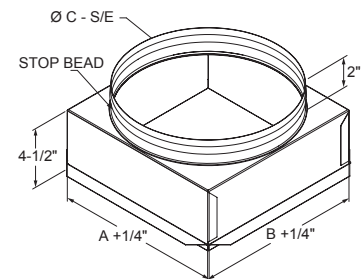
*Product shipped individually.



SQUARE TO ROUND ADAPTERS WITH 1" FLANGE

ITEM #	SIZE (")	A (")	B (")	C (")	GA	CTN/QTY	WT/100
563008	6 x 6-5	6	6	5	26	*	123
563009	6 x 6-6	6	6	6	26	*	183
563015	8 x 8-6	8	8	6	26	*	234
563018	8 x 8-7	8	8	7	26	*	166
563019	8 x 8-8	8	8	8	26	*	154
563036	10 x 10-6	10	10	6	26	*	212
563037	10 x 10-7	10	10	7	26	*	217
563038	10 x 10-8	10	10	8	26	*	221
563041	10 x 10-10	10	10	10	26	*	195
563057	12 x 12-8	12	12	8	26	*	344
563063	12 x 12-9	12	12	9	26	*	180
563061	12 x 12-12	12	12	12	26	*	398
563062	12 x 12-10	12	12	10	26	*	375
563068	14 x 14-10	14	14	10	26	*	412
563078	14 x 14-12	14	14	12	26	*	422
563084	14 x 14-14	14	14	14	26	*	306
563096	16 x 16-12	16	16	12	26	*	485
563098	16 x 16-14	16	16	14	26	*	260
563103	16 x 16-16	16	16	16	26	*	351
563133	20 x 20-18	20	20	18	26	*	440

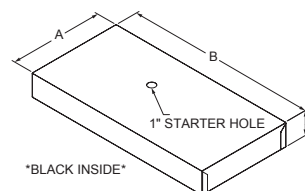
*Product shipped individually.



EC RETURN AIR CANS

ITEM #	SIZE (")	A (")	B (")	GA	CTN/QTY	WT/100
563000	11-3/4 x 23-3/4	11-3/4	23-3/4	26	*	308
563002	23-3/4 x 23-3/4	23-3/4	23-3/4	26	*	526

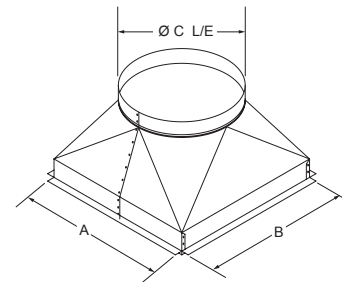
*Product shipped individually.



- E.&O.E. - Subject to Change Without Notice - May Not Be Available At All Locations -

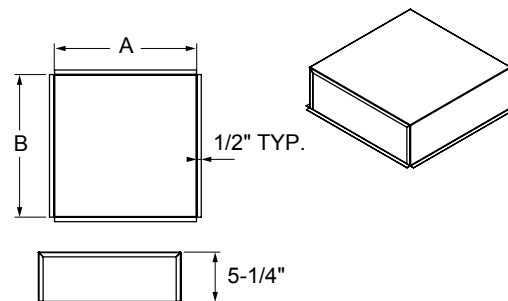
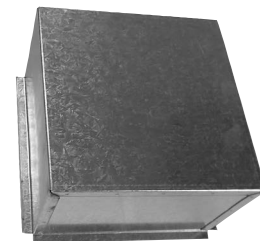
RETURN AIR CANS

ITEM #	SIZE (")	A (")	B (")	C (")	CTN/QTY	WT/100
562830	14-1/4 x 20-1/4	14-1/4	20-1/4	10	6	340
562832	14-1/4 x 20-1/4	14-1/4	20-1/4	12	6	360
562834	14-1/4 x 20-1/4	14-1/4	20-1/4	14	6	370
562858	14-1/4 x 24-1/4	14-1/4	24-1/4	14	6	430
562859	14-1/4 x 24-1/4	14-1/4	24-1/4	16	6	500
562862	14-1/4 x 25-1/4	14-1/4	25-1/4	12	6	420
562864	14-1/4 x 25-1/4	14-1/4	25-1/4	14	6	440
562866	14-1/4 x 25-1/4	14-1/4	25-1/4	16	6	460
562844	16-1/4 x 20-1/4	16-1/4	20-1/4	14	6	400
562846	16-1/4 x 20-1/4	16-1/4	20-1/4	16	6	410
562872	16-1/4 x 25-1/4	16-1/4	25-1/4	12	6	440
562874	16-1/4 x 25-1/4	16-1/4	25-1/4	14	6	450
562876	16-1/4 x 25-1/4	16-1/4	25-1/4	16	6	460
562848	20-1/4 x 20-1/4	20-1/4	20-1/4	12	6	440
562854	20-1/4 x 20-1/4	20-1/4	20-1/4	14	6	450
562856	20-1/4 x 20-1/4	20-1/4	20-1/4	16	6	430
562857	20-1/4 x 20-1/4	20-1/4	20-1/4	18	6	450
562860	20-1/4 x 24-1/4	20-1/4	24-1/4	16	6	520
562861	20-1/4 x 24-1/4	20-1/4	24-1/4	18	6	540
562884	20-1/4 x 25-1/4	20-1/4	25-1/4	14	6	490
562886	20-1/4 x 25-1/4	20-1/4	25-1/4	16	6	540
562887	20-1/4 x 25-1/4	20-1/4	25-1/4	18	6	550
562896	20-1/4 x 30-1/4	20-1/4	30-1/4	16	6	590
562898	20-1/4 x 30-1/4	20-1/4	30-1/4	18	6	690



DIFFUSER CANS

ITEM #	SIZE (")	A (")	B (")	CTN/QTY	WT/100
566006	6 x 6	6	6	*	145
566008	8 x 8	8	8	*	206
566009	9 x 9	9	9	*	238
566010	10 x 10	10	10	*	273
566012	12 x 12	12	12	*	347
566014	14 x 14	14	14	*	427
566015	15 x 15	15	15	*	470
566016	16 x 16	16	16	*	514
566018	18 x 18	18	18	*	607
566020	20 x 14	20	14	*	495
566022	20 x 16	20	16	*	565
566024	20-1/4 x 20-1/4	20-1/4	20-1/4	*	719
566028	21-3/4 x 21-3/4	21-3/4	21-3/4	*	799
566030	22 x 10	22	10	*	369
566042	24 x 12	24	12	*	462
566044	24 x 24	24	24	*	925
566054	25 x 14	25	14	*	551
566056	25 x 16	25	16	*	629
566058	25 x 20	25	20	*	787

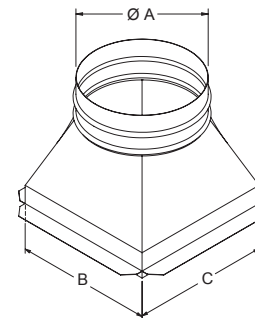


*Product shipped individually.

- E.&O.E. - Subject to Change Without Notice - May Not Be Available At All Locations -

B-BOXES

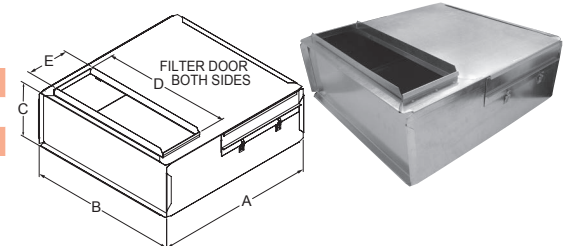
ITEM #	SIZE (")	A (")	B (")	C (")	CTN/QTY	WT/100
562941	6 x 6-4	6	6	4	12	270
562942	6 x 6-5	6	6	5	12	270
562943	6 x 6-6	6	6	6	12	270
562946	7 x 7-7	7	7	7	12	150
562949	8 x 6-5	8	6	5	12	350
562953	8 x 8-6	8	8	6	12	410
562954	8 x 8-7	8	8	7	12	410
562955	8 x 8-8	8	8	8	12	410
562958	9 x 9-8	9	9	8	12	180
562963	10 x 10-6	10	10	6	12	570
562965	10 x 10-8	10	10	8	12	570
562966	10 x 10-10	10	10	10	12	570
562973	12 x 12-6	12	12	6	12	770
562975	12 x 12-8	12	12	8	12	770
562977	12 x 12-10	12	12	10	12	770
562978	12 x 12-12	12	12	12	12	770
562983	14 x 14-10	14	14	10	6	1000
562984	14 x 14-12	14	14	12	6	1000
562985	14 x 14-14	14	14	14	6	1000
562994	16 x 16-12	16	16	12	*	1250
562995	16 x 16-14	16	16	14	*	1250
562996	16 x 16-16	16	16	16	*	1250



*Product shipped individually.

RETURN AIR SUPPORT BOX

ITEM #	SIZE (")	A (")	B (")	C (")	D (")	E (")	CTN/QTY	WT/100
010294	30 x 28 x 10 - 24 x 8	30	28	10	24	8	*	2800
010290	34 x 28 x 12 - 24 x 10	34	28	12	24	10	*	3250
010296	38 x 28 x 10 - 25 x 12	38	28	10	25	12	*	3400

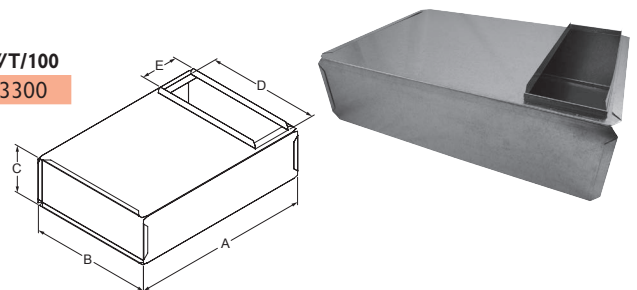


*Product shipped individually.

RETURN AIR SUPPORT BOX — NO DOOR

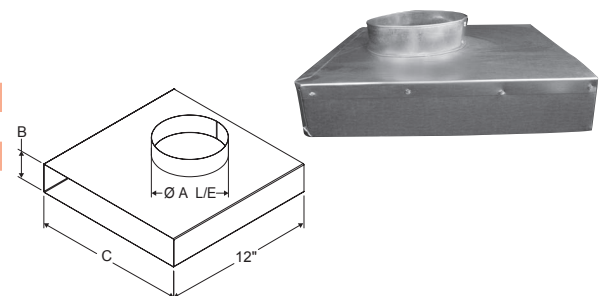
ITEM #	SIZE (")	A (")	B (")	C (")	D (")	E (")	CTN/QTY	WT/100
010298	38 x 26 x 10 - 24 x 8	38	26	10	24	8	*	3300

*Product shipped individually.



KICKBOARD BOXES

ITEM #	DESCRIPTION	A (")	B (")	C (")	CTN/QTY	WT/100
050724	2-1/4 x 12 No Hole	-	2-1/4	12	20	120
050725	5" - 2-1/4" x 12"	5	2-1/4	12	30	140
050726	5" - 3-1/4" x 10" with End Cap	5	3-1/4	10	20	140

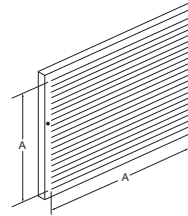


- E.&O.E. - Subject to Change Without Notice - May Not Be Available At All Locations -

FRESH AIR GRILLES — GALVANIZED

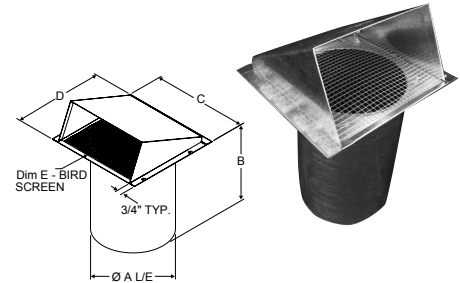
ITEM #	DESCRIPTION	A (")	PCS/BNDL	WT/100
138200	5" x 5"	5	*	25
702200	6" x 6" White	6	*	55
138210	7" x 7"	7	*	28
138212	7" x 7" White	7	*	28

*Product shipped individually.



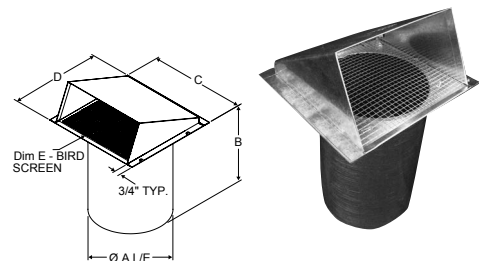
FRESH AIR INTAKES — 1/4" BIRDSCREEN

ITEM #	SIZE (")	A (")	B (")	C (")	D (")	E (")	CTN/QTY	WT/100
050775	3	3	9	6-3/4	6-5/16	1/4	20	85
050800	4	4	9	6-3/4	6-5/16	1/4	20	105
050900	5	5	9	8-5/8	7-11/16	1/4	20	140
051000	6	6	9	8-5/8	7-11/16	1/4	20	160
051050	7	7	9	9-7/8	9-1/8	1/4	10	200
051080	8	8	9	10-7/8	10-1/4	1/4	10	260
051090	10	10	9	13	12-1/4	1/4	5	480
051091	12	12	9-1/2	15	14-1/4	1/4	2	360



FRESH AIR INTAKES — 1/2" BIRDSCREEN

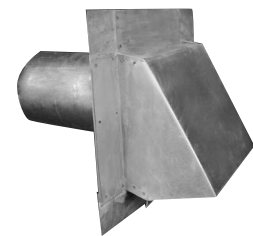
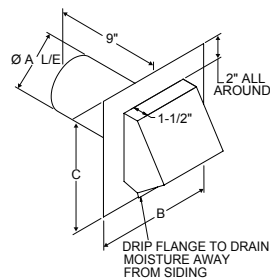
ITEM #	SIZE (")	A (")	B (")	C (")	D (")	E (")	CTN/QTY	WT/100
050764	4	4	9	6-3/4	6-5/16	1/2	20	105
050765	5	5	9	8-5/8	7-11/16	1/2	20	140
050766	6	6	9	8-5/8	7-11/16	1/2	20	160
050767	7	7	9	9-7/8	9-1/8	1/2	10	200



FRESH AIR INTAKES / WALL CAP COMBO — SOLDERED

ITEM #	SIZE (")	A (")	B (")	C (")	CTN/QTY	WT/100
051204	4	4	11-3/4	11-3/8	10	300
051205	5	5	11-3/4	11-3/8	20	310
051206	6	6	11-3/4	11-3/8	10	320
051207	7	7	13-1/2	13-1/2	10	390
051208	8	8	13-1/2	13-1/2	10	420

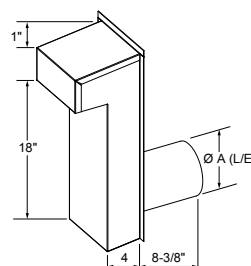
NOTE: All seams are fully soldered on hood.



FRESH AIR SNORKELS

ITEM #	SIZE (")	A (")	CTN/QTY	WT/100
051214	4	4	*	445
051215	5	5	*	460
051216	6	6	*	475

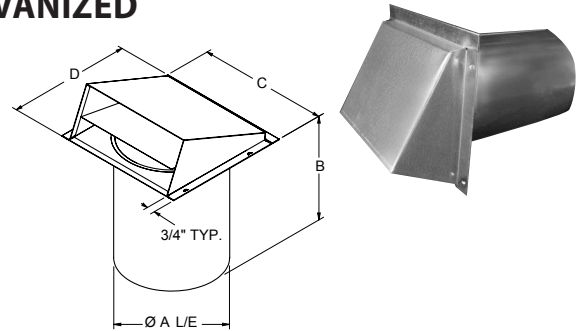
*Product shipped individually.



-E.&O.E. - Subject to Change Without Notice - May Not Be Available At All Locations -

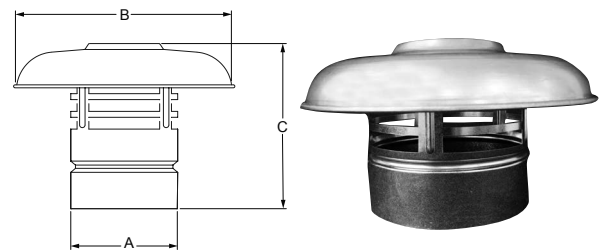
WALL CAPS WITH SPRING LOADED DAMPER — GALVANIZED

ITEM #	SIZE (")	A (")	B (")	C (")	D (")	CTN/QTY	WT/100
051094	4	4	9	6-3/4	6-5/6	20	97
051095	5	5	9	8-5/8	7-11/16	20	135
051096	6	6	9	8-5/8	7-11/16	20	144
051097	7	7	9	9-7/8	9-1/8	10	168
051098	8	8	9	10-7/8	10-1/4	10	234
051099	10	10	9	13	12-1/4	5	422
051100	12	12	9-1/2	15	14-1/4	2	675



CHINA CAPS — GALVANIZED

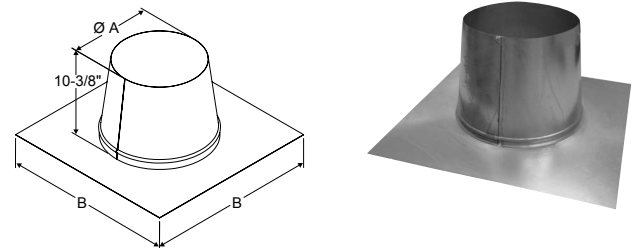
ITEM #	SIZE (")	A (")	B (")	C (")	CTN/QTY	WT/100
134300	3	3	7-3/4	5-3/4	20	75
134400	4	4	7-3/4	6	20	85
134500	5	5	9	6	20	120
134600	6	6	10-1/4	6	20	145
134700	7	7	12-1/4	6	10	186
134800	8	8	12-1/4	6	10	190
134810	10	10	15-1/2	6	5	280
134812	12	12	17-3/4	6-1/2	5	300
134814	14	14	19-3/4	7	5	320



FLASHINGS — FLAT — PIPE SIZE — SOLDERED

ITEM #	SIZE (")	A (")	B (")	CTN/QTY	WT/100
131410	10	10-1/2	22	*	480
131415	12	12-1/2	24	*	520
131420	14	14-1/2	26	*	580

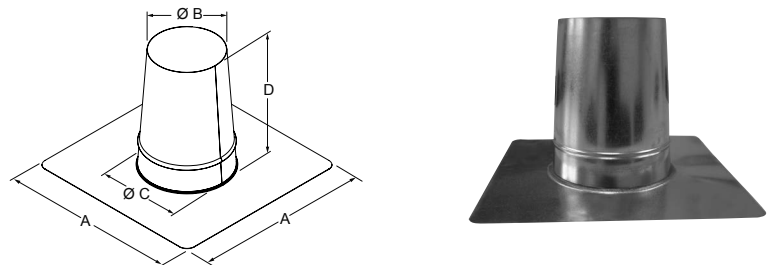
*Product shipped individually.



FLASHINGS — FLAT — HOT WELDED

ITEM #	MODEL	SIZE (")	A (")	B (")	C (")	D (")	CTN/QTY	WT/100
131362	4" Hot Weld Flat Flashing B-Vent	4	14	4-5/8	6	10	*	206
131364	5" Hot Weld Flat Flashing B-Vent	5	15	5-5/8	7	10	*	237
131366	6" Hot Weld Flat Flashing B-Vent	6	16	6-5/8	8	10	*	268
131368	7" Hot Weld Flat Flashing B-Vent	7	17	7-5/8	9	10	*	300
131370	8" Hot Weld Flat Flashing B-Vent	8	18	8-5/8	10	10	*	332

*Product shipped individually.

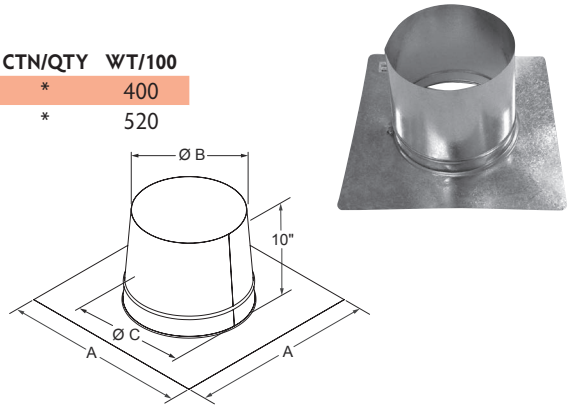


— E.&O.E. — Subject to Change Without Notice — May Not Be Available At All Locations —

FLASHINGS — FLAT — PIPE SIZE — HOT WELDED

ITEM #	DESCRIPTION	SIZE (")	A (")	B (")	C (")	CTN/QTY	WT/100
131382	10" H/W Flat Flashing Pipe Size	10	20	10-1/2	12	*	400
131383	12" H/W Flat Flashing Pipe Size	12	22	12-1/2	14	*	520

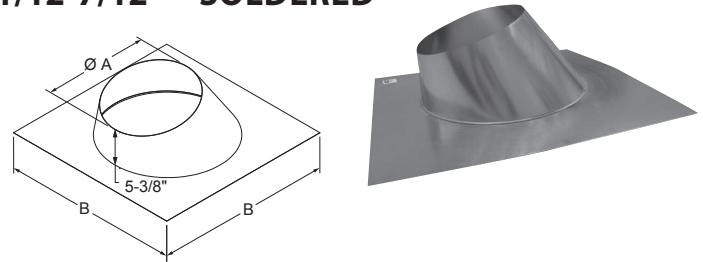
* Product shipped individually.



FLASHINGS — ADJUSTABLE — PIPE SIZE — 1/12-7/12 — SOLDERED

ITEM #	SIZE (")	A (")	B (")	CTN/QTY	WT/100
131409	10	10-1/2	24	*	480
131414	12	12-1/2	26	*	480
131419	14	14-1/2	28	*	490

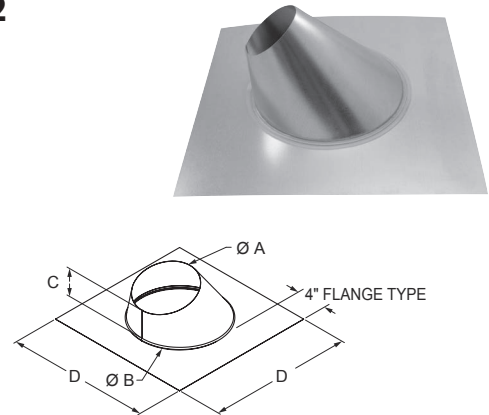
*Product shipped individually.



FLASHINGS — ADJUSTABLE — PIPE SIZE — 1/12-7/12

ITEM #	SIZE (")	A (")	B (")	C (")	D (")	CTN/QTY	WT/100
131503	3	3-1/4	7	4	15	*	160
131504	4	4-1/4	8	4	16	*	180
131505	5	5-1/4	9	4	1	*	200
131506	6	6-1/4	10	4	18	*	230
131507	7	7-1/4	11-1/2	4	19-1/2	*	275
131508	8	8-1/4	12-1/2	4	20-1/2	*	300
131510	10	10-1/4	14-1/2	4-1/2	22-1/2	*	410

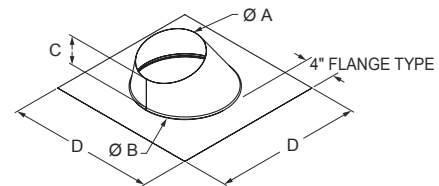
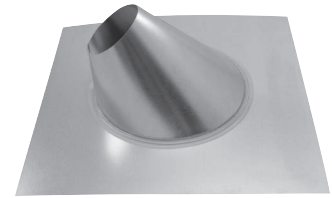
*Product shipped individually.



FLASHINGS — ADJUSTABLE — PIPE SIZE — 8/12-12/12

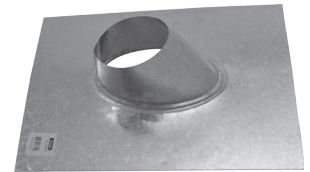
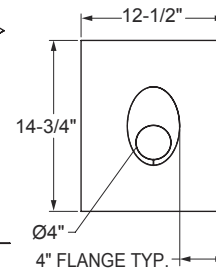
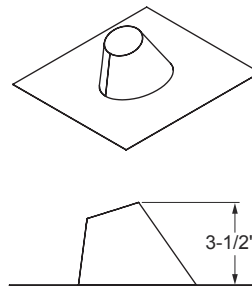
ITEM #	SIZE (")	A (")	B (")	C (")	D (")	CTN/QTY	WT/100
131523	3	3	9-1/2	4	17-1/2	*	142
131524	4	4	10-1/2	4	18-1/2	*	164
131525	5	5	12-1/2	4	20-1/2	*	186
131526	6	6	13-1/2	4	21-1/2	*	211
131527	7	7	15	4	23	*	246
131528	8	8	16	4	24	*	273
131529	9	9	19	4	27	*	300
131530	10	10	20	4-1/2	28	*	341

*Product shipped individually.



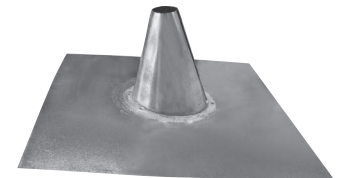
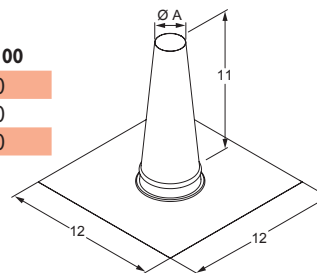
LINESET — ADJUSTABLE — 1/12-7/12

ITEM #	SIZE (")	CTN/QTY	WT/100
131484	4	10	180



I.P.S. ADJUSTABLE ROOF FLASHINGS

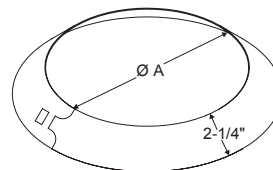
ITEM #	SIZE (")	COLOR	A (")	CTN/QTY	WT/100
131201	1-1/2	Galvanized	1-1/2	10	210
131202	2-1/2	Galvanized	2-1/2	10	220
131203	3-1/2	Galvanized	3-1/2	10	230



STORM COLLARS — PIPE SIZE

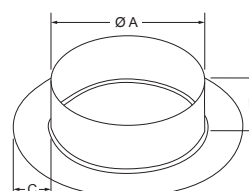
ITEM #	SIZE (")	A (")	CTN/QTY	WT/100
131412	10	10	*	46
131417	12	12	*	50
131422	14	14	*	60

*Product shipped individually.



COLLARS WITH FLANGE

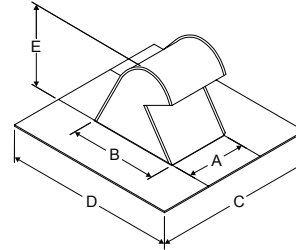
ITEM #	SIZE (")	A (")	B (")	C (")	CTN/QTY	WT/100
134866	6 x 3	6	3	2	20	90
134868	8 x 3	8	3	2	20	120
134870	10 x 3	10	3	2	20	160
134872	12 x 3	12	3	2	20	210



— E.&O.E. — Subject to Change Without Notice — May Not Be Available At All Locations —

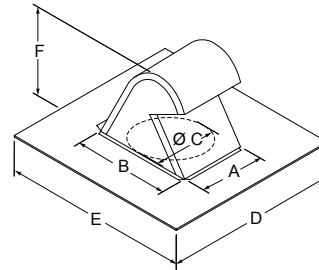
ROOF JACKS ALL PITCH

ITEM #	DESCRIPTION	A (")	B (")	C (")	D (")	E (")	CTN/QTY	WT/100
130200	6" x 6"	5	8	13	15	7	10	201
130209	6" x 6" - Soldered	5	8	13	15	7	10	180



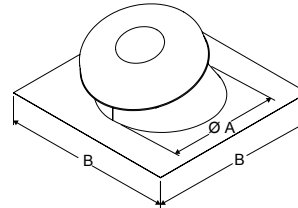
ROOF JACKS ALL PITCH — 8 x 8

ITEM #	SIZE (")	A (")	B (")	C (")	D (")	E (")	F (")	CTN/QTY	WT/100
130100	8 x 8	8	9	7-1/2	15	17	8-1/2	10	298



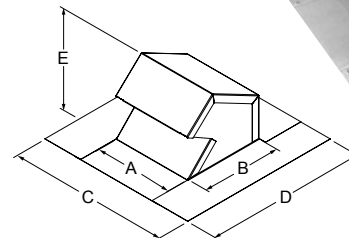
ROOF JACKS — ROUND — ALL PITCH

ITEM #	SIZE (")	A (")	B (")	CTN/QTY	WT/100
131034	3-4	4	12	15	250
131056	5-6	6	15	8	380
131078	7-8	8	18	5	460



ROOF JACKS SQUARE TOP — SOLDERED — 8 x 8 — 26 GAUGE

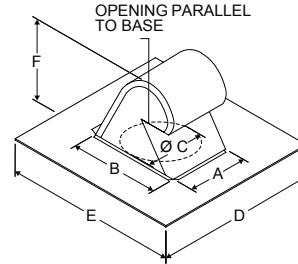
ITEM #	SIZE (")	A (")	B (")	C (")	D (")	E (")	CTN/QTY	WT/100
130108	8 x 8	8	8	16	16	7	10	270



-E.&O.E. - Subject to Change Without Notice - May Not Be Available At All Locations -

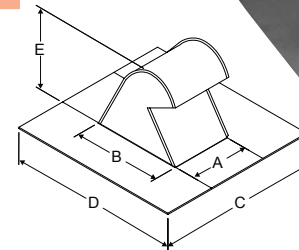
ROOF JACKS — MOBILE HOME — 8 × 8

ITEM #	SIZE (")	A (")	B (")	C (")	D (")	E (")	F (")	CTN/QTY	WT/100
131010	8 × 8	8	9	7-1/2	15	17	10	6	345



ROOF JACKS ROUND TOP — SOLDERED — 8 × 8

ITEM #	SIZE (")	A (")	B (")	C (")	D (")	E (")	CTN/QTY	WT/100
130109	8 × 8	8	8	15	15-5/8	8	10	270

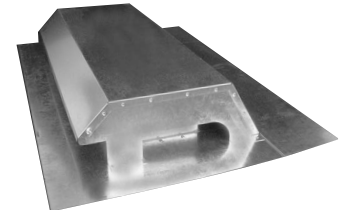
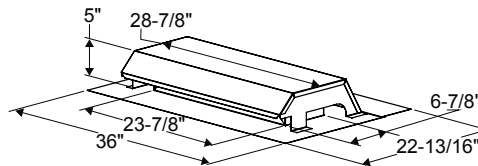


ROOF JACKS — EC144

ITEM #	DESCRIPTION	CTN/QTY	WT/100
130600	Galvanized	*	1075
130602	Brown	*	1075
130604	Black	*	1075
130605	Charcoal	*	1075

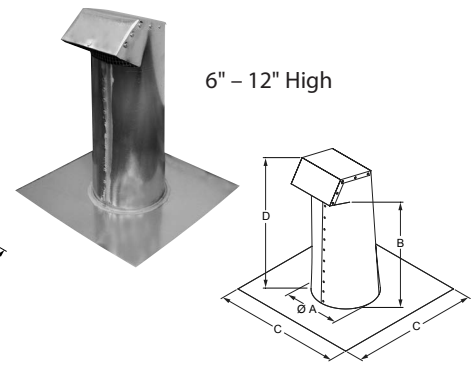
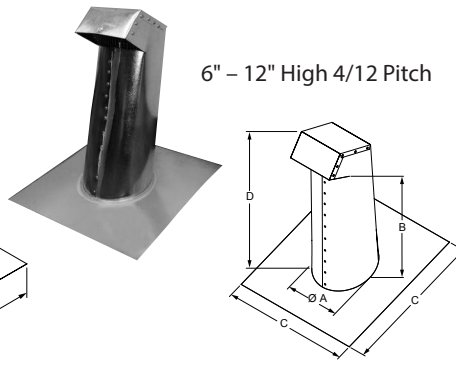
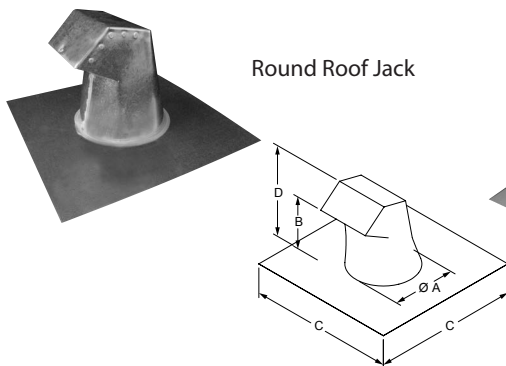
*Product shipped individually.

NOTE: Free Area = 100 Sq. In.



ROOF JACKS — ROUND

ITEM #	DESCRIPTION	COLOR	A (")	B (")	C (")	D (")	CTN/QTY	WT/100
130250	6" with Damper	Galvanized	6	4-1/4	14	7-1/2	10	190
130309	6" Soldered	Galvanized	6	4-1/4	14	7-1/2	10	190
130303	6" – 12" High	Galvanized	6	12	14	15-1/2	10	200
130307	6" – 12" High Soldered	Galvanized	6	12	14	15-1/2	10	240
130308	6" – 12" High with Damper Soldered	Galvanized	6	12	14	15-1/2	10	245
130330	6" – 12" High	Brown	6	12	13-1/2	15-1/2	10	240
130331	6" – 12" High	Black	6	12	13-1/2	15-1/2	10	240
130332	6" – 12" High	Charcoal	6	12	13-1/2	15-1/2	10	240
130305	6" – 12" High 4/12P	Galvanized	6	11-1/2	14	14-7/8	10	200
130260	6" with Damper and Screen	Galvanized	6	4-1/4	14	7-1/2	10	195
130259	6" with Damper Soldered	Galvanized	6	4-1/4	14	7-1/2	10	195
130311	6" Round	Brown	6	4-1/4	14	7-1/2	10	140
130313	6" Round	Black	6	4-1/4	14	7-1/2	10	140
130314	6" Round	Charcoal	6	4-1/4	14	7-1/2	10	140
130315	6" Round	Grey	6	4-1/4	14	7-1/2	10	140
130301	6" Round – Flared Base	Galvanized	6	4-1/4	14	7-1/2	10	190
130302	6" Round – 8" High	Galvanized	6	8	13-1/2	11	10	210
130316	6" with Damper	Brown	6	4-1/4	14	7-1/2	10	190
130318	6" with Damper	Black	6	4-1/4	14	7-1/2	10	190
130320	6" with Damper	Charcoal	6	4-1/4	14	7-1/2	10	190
130322	6" with Damper	Grey	6	4-1/4	14	7-1/2	10	190
130336	6" – 12" High with Damper	Brown	6	4-1/4	13-1/2	15-1/2	10	245
130337	6" – 12" High with Damper	Black	6	4-1/4	13-1/2	15-1/2	10	245
130338	6" – 12" High with Damper	Charcoal	6	4-1/4	13-1/2	15-1/2	10	245
130500	8" – All Pitch	Galvanized	7-3/4	4-3/4	15	8-7/8	10	230
130509	8" Soldered	Galvanized	7-3/4	4-3/4	15	8-7/8	10	260
130501	8" Round	Brown	7-3/4	4-3/4	15	8-7/8	10	190
130502	8" Round	Black	7-3/4	4-3/4	15	8-7/8	10	190
130503	8" Round	Charcoal	7-3/4	4-3/4	15	8-7/8	10	190
130505	8" Round	Grey	7-3/4	4-3/4	15	8-7/8	10	190
130550	8" with Damper	Galvanized	7-3/4	4-3/4	15	8-7/8	10	235
130551	8" with Damper	Brown	7-3/4	4-3/4	15	8-7/8	10	200
130552	8" with Damper	Black	7-3/4	4-3/4	15	8-7/8	10	200
130553	8" with Damper	Charcoal	7-3/4	4-3/4	15	8-7/8	10	200
130555	8" with Damper	Grey	7-3/4	4-3/4	15	8-7/8	10	200

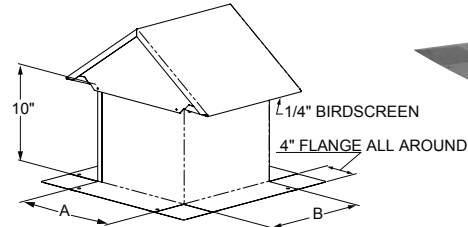


– E.&O.E. – Subject to Change Without Notice – May Not Be Available At All Locations –

BUILT UP ROOF VENTS

ITEM #	SIZE (")	COLOR	A (")	B (")	CTN/QTY	WT/100
130569	5 × 14	Galvanized	5	14	*	620
130560	6 × 6	Galvanized	6	6	*	420
130562	8 × 8	Galvanized	8	8	*	540
130566	12 × 12	Galvanized	12	12	*	780

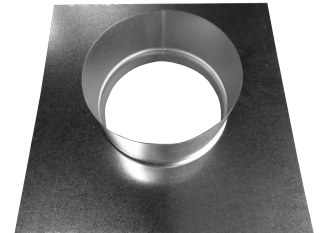
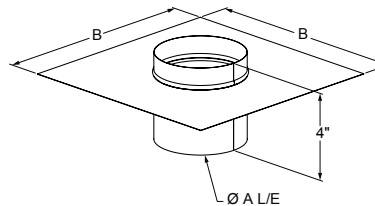
*Product shipped individually.



ROOF CAP ADAPTERS — RVA

STANDARD GAUGE

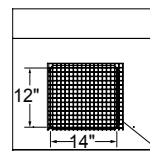
ITEM #	SIZE (")	A (")	B (")	CTN/QTY	WT/100
130094	4	4	10	25	64
130095	5	5	11	25	77
130096	6	6	12	20	89
130097	7	7	13	10	102
130098	8	8	14	10	114



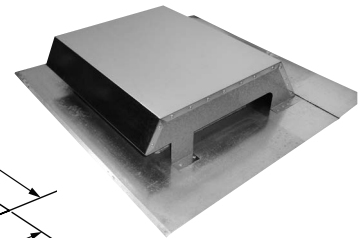
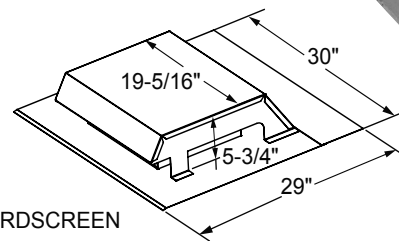
ATTIC VENTS — SQUARE — SOLDERED — GALVANIZED

ITEM #	SIZE (")	CTN/QTY	WT/100
130596	14 × 12	*	990

*Product shipped individually.



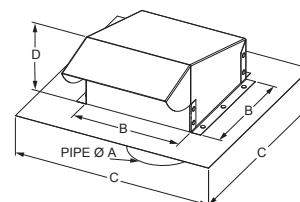
1/4" × 1/4" BIRDSCREEN



ROOF VENTS WITH STEM

ITEM #	DESCRIPTION	COLOR	A (")	B (")	C (")	D (")	CTN/QTY	WT/100
130044	Roof Vent with Stem	Black	4	6-1/2	12	4-1/4	*	170
130049	Roof Vent with Stem	Dark Brown	4	6-1/2	12	4-1/4	*	170
130064	Roof Vent with Stem	Black	6	8	14	5-1/4	*	280
130069	Roof Vent with Stem	Dark Brown	6	8	14	5-1/4	*	280

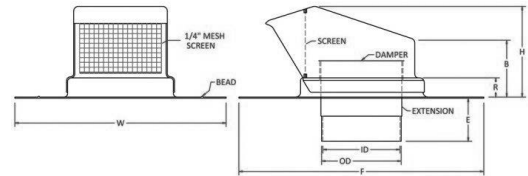
*Product shipped individually.



— E.&O.E. — Subject to Change Without Notice — May Not Be Available At All Locations —

PLASTIC ROOF CAP STEM VENTS — BVDS

ITEM #	DESCRIPTION	COLOR	A (")	B (")	C (")	D (")	CTN/QTY	WT/100
681410	BVDS-4" Roof Vent	Black	4	11	12-1/2	5	4	150
681411	BVDS-4" Roof Vent	Brown	4	11	12-1/2	5	4	150
681412	BVDS-4" Roof Vent	Dark Brown	4	11	12-1/2	5	4	150
681413	BVDS-4" Roof Vent	Grey	4	11	12-1/2	5	4	150
681414	BVDS-4" Roof Vent	Wood Grey	4	11	12-1/2	5	4	150
681416	BVDS-5" Roof Vent	Black	5	13	14-3/4	4-3/4	4	165
681417	BVDS-5" Roof Vent	Brown	5	13	14-3/4	4-3/4	4	165
681418	BVDS-5" Roof Vent	Dark Brown	5	13	14-3/4	4-3/4	4	165
681419	BVDS-5" Roof Vent	Grey	5	13	14-3/4	4-3/4	4	165
681420	BVDS-5" Roof Vent	Wood Grey	5	13	14-3/4	4-3/4	4	165
681421	BVDS-6" Roof Vent	Black	6	13	14-3/4	4-1/2	4	175
681423	BVDS-6" Roof Vent	Dark Brown	6	13	14-3/4	4-1/2	4	175
681424	BVDS-6" Roof Vent	Grey	6	13	14-3/4	4-1/2	4	175
681425	BVDS-6" Roof Vent	Wood Grey	6	13	14-3/4	4-1/2	4	175



– E.&O.E. – Subject to Change Without Notice – May Not Be Available At All Locations –



www.eccomfg.com

Langley Distribution

19860 Fraser Highway
Langley, British Columbia
Canada V3A 4C9

Phone: 604-530-4151
Toll Free: 1-877-955-4805
Fax: 604-533-9335

Calgary Distribution

21 – 11150 38th Street, S.E.
Calgary, Alberta
Canada T2C 2Z6

Phone: 403-720-0895
Toll Free: 1-877-955-4815
Fax: 403-720-0897

Kent Distribution

20001 87th Ave. S, Bldg E
Kent, Washington
USA 98031

Phone: 253-872-3721
Toll Free: 1-800-207-6859
Fax: 253-872-3724

ELBOWS



ECCO™ is proud to be a member of:



SMACNA
Sheet Metal and Air
Conditioning Contractors'
National Association
www.smacna.org



HRAI
Heating, Refrigeration and
Air Conditioning
Institute of Canada
www.hrai.ca



HARDI
Heating, Air-conditioning
& Refrigeration
Distributors International
www.hardinet.org



ADI
Air
Distribution
Institute
www.steelduct.org



AD
Affiliated Distributors™
www.adhq.com



CME
Canadian
Manufacturers &
Exporters
www.cme-mec.ca



SPIDA
Spiral Duct
Manufacturers
Association
www.spida.org



INDEX

45° ECCO SPIRAL ELBOW™ — 26 GAUGE — 1-1/2 CENTERLINE.....	A5-3	90° ELBOWS — 28 GAUGE — STRAIGHT TUBE.....	A5-6
45° ECCO SPIRAL ELBOW™ — 26 GAUGE — 1 CENTERLINE..	A5-4	90° ELBOWS — 30 GAUGE	A5-6
45° ELBOWS — 1-1/2 CENTERLINE — STANDING SEAM	A5-5	90° ELBOWS — 30 GAUGE — STRAIGHT TUBE.....	A5-6
45° ELBOWS — 22 GAUGE	A5-9	90° ELBOWS DIE STAMPED — 1-1/2 CENTERLINE — WELDED SMALL END/SMALL END — E-90-1	A5-9
45° ELBOWS — 24 GAUGE	A5-8	CUSTOM ELBOWS — MANUFACTURED TO MEET YOUR SPECIFICATIONS	A5-12
45° ELBOWS — 26 GAUGE	A5-8	OVAL ELBOWS LONG WAY 45°.....	A5-10
45° ELBOWS DIE STAMPED — 1-1/2 CENTERLINE — WELDED SMALL END/SMALL END — E-45-1	A5-9	OVAL ELBOWS LONG WAY 90°.....	A5-10
90° ECCO SPIRAL ELBOW™ — 26 GAUGE — 1-1/2 CENTERLINE.....	A5-3	OVAL ELBOWS SHORT WAY 45°	A5-11
90° ECCO SPIRAL ELBOW™ — 26 GAUGE — 1 CENTERLINE..	A5-4	OVAL ELBOWS SHORT WAY 90°	A5-11
90° ELBOWS — 1-1/2 CENTERLINE — STANDING SEAM	A5-5		
90° ELBOWS — 22 GAUGE	A5-8		
90° ELBOWS — 24 GAUGE	A5-7		
90° ELBOWS — 26 GAUGE	A5-7		
90° ELBOWS — 26 GAUGE — STRAIGHT TUBE.....	A5-7		
90° ELBOWS — 28 GAUGE	A5-6		

LEGEND

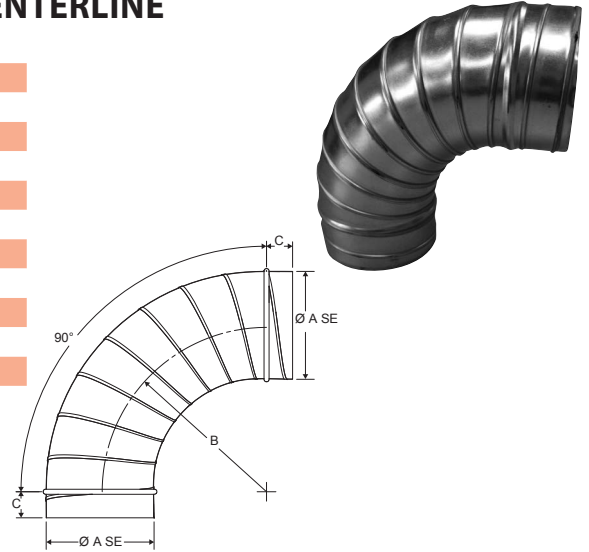
NOTE: The boxed columns throughout the tables are intended to provide a quick determination of ordering dimensions.

ABBREVIATIONS:

- CTN/QTY = Carton Quantity
- WT/100 = Weight per 100 Pieces
- WT/100 FT = Weight per 100 Feet
- WT/EA = Weight Each
- FT/BNDL = Feet per Bundle
- PCS/BNDL = Pieces per Bundle
- LGTH/BNDL = Length per Bundle

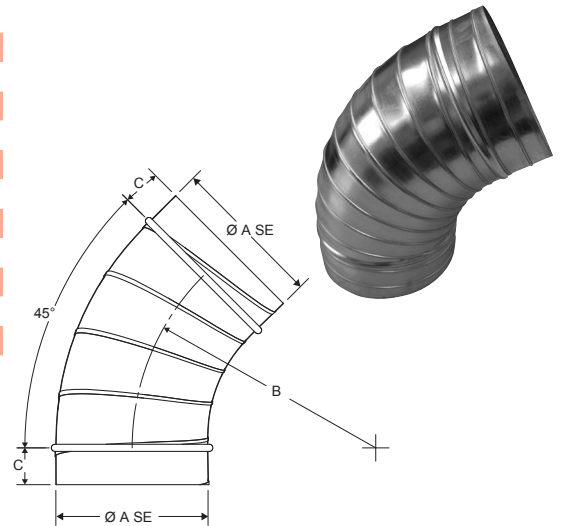
90° ECCO SPIRAL ELBOW™ — 26 GAUGE — 1-1/2 CENTERLINE

ITEM #	SIZE	A (")	B (")	C (")	PCS/BNDL	WT/100
547824	4" x 90°	4	6	2	1	140
547825	5" x 90°	5	7-1/2	2-3/16	1	200
547826	6" x 90°	6	9	2-3/8	1	270
547827	7" x 90°	7	10-1/2	2-9/16	1	350
547828	8" x 90°	8	12	2-3/4	1	430
547829	9" x 90°	9	13-1/2	2-15/16	1	530
547830	10" x 90°	10	15	3-1/8	1	640
547832	12" x 90°	12	18	3-9/16	1	890
547834	14" x 90°	14	21	3-15/16	1	1170
547836	16" x 90°	16	24	4-5/16	1	1797
547838	18" x 90°	18	27	4-3/4	1	1830



45° ECCO SPIRAL ELBOW™ — 26 GAUGE — 1-1/2 CENTERLINE

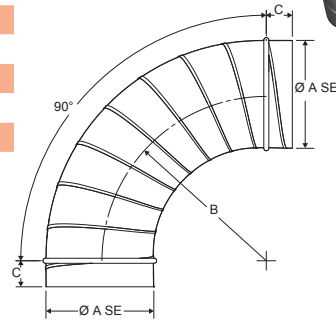
ITEM #	SIZE	A (")	B (")	C (")	PCS/BNDL	WT/100
547844	4" x 45°	4	6	2	1	100
547845	5" x 45°	5	7-1/2	2-3/16	1	140
547846	6" x 45°	6	9	2-3/8	1	170
547847	7" x 45°	7	10-1/2	2-9/16	1	220
547848	8" x 45°	8	12	2-3/4	1	280
547849	9" x 45°	9	13-1/2	2-15/16	1	330
547850	10" x 45°	10	15	3-1/8	1	400
547852	12" x 45°	12	18	3-9/16	1	530
547854	14" x 45°	14	21	3-15/16	1	700
547856	16" x 45°	16	24	4-5/16	1	890
547858	18" x 45°	18	27	4-3/4	1	1090



- E.&O.E. - Subject to Change Without Notice - May Not Be Available At All Locations -

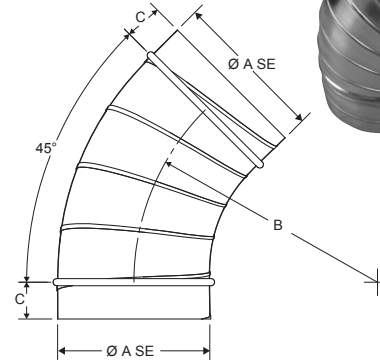
90° ECCO SPIRAL ELBOW™ — 26 GAUGE — 1 CENTERLINE

ITEM #	SIZE	A (")	B (")	C (")	PCS/BNDL	WT/100
547864	4" x 90°	4	4	2	1	130
547865	5" x 90°	5	5	2-3/16	1	170
547866	6" x 90°	6	6	2-3/8	1	220
547867	7" x 90°	7	7	2-9/16	1	270
547868	8" x 90°	8	8	2-3/4	1	340
547869	9" x 90°	9	9	2-15/16	1	430
547870	10" x 90°	10	10	3-1/8	1	520
547872	12" x 90°	12	12	3-9/16	1	690
547874	14" x 90°	14	14	3-15/16	1	860
547876	16" x 90°	16	16	4-5/16	1	1170
547878	18" x 90°	18	18	4-3/4	1	1490



45° ECCO SPIRAL ELBOW™ — 26 GAUGE — 1 CENTERLINE

ITEM #	SIZE	A (")	B (")	C (")	PCS/BNDL	WT/100
547884	4" x 45°	4	4	2	1	100
547885	5" x 45°	5	5	2-3/16	1	120
547886	6" x 45°	6	6	2-3/8	1	150
547887	7" x 45°	7	7	2-9/16	1	180
547888	8" x 45°	8	8	2-3/4	1	230
547889	9" x 45°	9	9	2-15/16	1	280
547890	10" x 45°	10	10	3-1/8	1	340
547892	12" x 45°	12	12	3-9/16	1	430
547894	14" x 45°	14	14	3-15/16	1	550
547896	16" x 45°	16	16	4-5/16	1	750
547898	18" x 45°	18	18	4-3/4	1	920

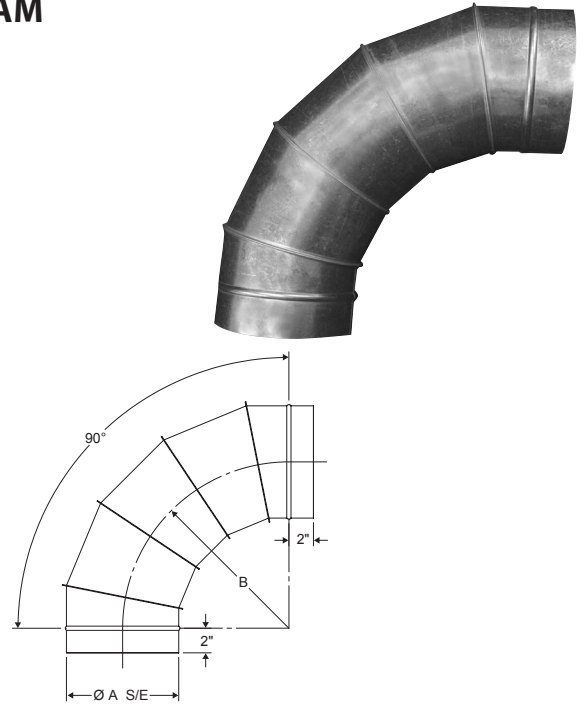


- E.&O.E. - Subject to Change Without Notice - May Not Be Available At All Locations -

90° ELBOWS — 1-1/2 CENTERLINE — STANDING SEAM

ITEM #	SIZE	A (")	B (")	GA	CTN/QTY	WT/100
547905	5" x 90°	5	7-1/2	26	15	172
547906	6" x 90°	6	9	26	8	232
547907	7" x 90°	7	10-1/2	26	6	300
547908	8" x 90°	8	12	26	*	382
547909	9" x 90°	9	13-1/2	26	*	475
547910	10" x 90°	10	15	26	*	570
547912	12" x 90°	12	18	26	*	785
547914	14" x 90°	13-15/16	21	26	*	1030
547916	16" x 90°	15-15/16	24	26	*	1331
547918	18" x 90°	17-7/8	27	26	*	1570
547920	20" x 90°	19-7/8	30	24	*	2550
547922	22" x 90°	21-7/8	33	24	*	3030
547924	24" x 90°	23-7/8	36	24	*	3660
547926	26" x 90°	25-7/8	39	24	*	4200
547928	28" x 90°	27-7/8	42	24	*	4900
547930	30" x 90°	29-7/8	45	22	*	6600

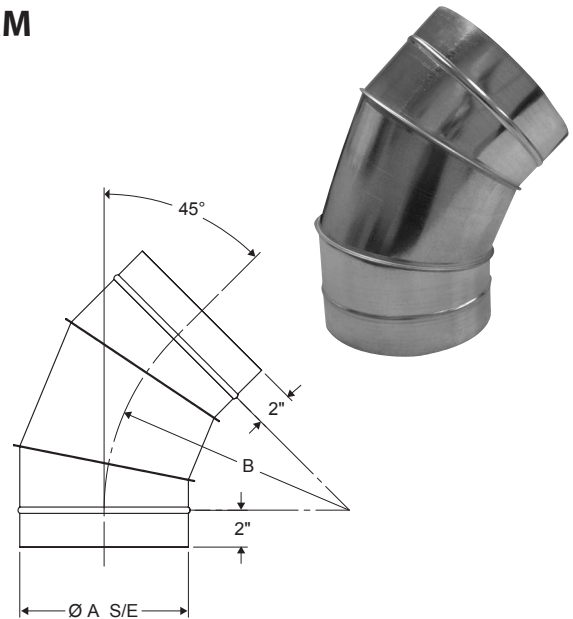
*Product shipped individually.



45° ELBOWS — 1-1/2 CENTERLINE — STANDING SEAM

ITEM #	SIZE	A (")	B (")	GA	CTN/QTY	WT/100
547955	5" x 45°	5	7-1/2	26	*	103
547956	6" x 45°	6	9	26	*	140
547957	7" x 45°	7	10-1/2	26	*	180
547958	8" x 45°	8	12	26	*	229
547959	9" x 45°	9	13-1/2	26	*	285
547960	10" x 45°	10	15	26	*	342
547962	12" x 45°	12	18	26	*	471
547964	14" x 45°	13-15/16	21	26	*	618
547966	16" x 45°	15-15/16	24	26	*	799
547968	18" x 45°	17-7/8	27	26	*	842
547970	20" x 45°	19-7/8	30	24	*	1530
547972	22" x 45°	21-7/8	33	24	*	1818
547974	24" x 45°	23-7/8	36	24	*	2196
547976	26" x 45°	25-7/8	39	24	*	2378
547978	28" x 45°	27-7/8	42	24	*	2730
547980	30" x 45°	29-7/8	45	22	*	3777

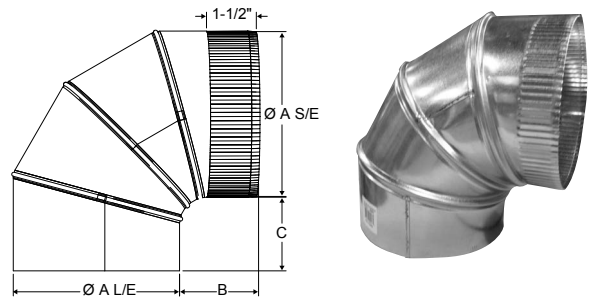
*Product shipped individually.



90° ELBOWS — 30 GAUGE

ITEM #	SIZE	A (")	B (")	C (")	CTN/QTY	WT/100
120300	3" x 90°	3	2-11/16	2-11/16	20	35
120400	4" x 90°	4	2-7/8	2-3/8	50	55
120500	5" x 90°	5	2-5/8	2-1/8	50	70
120600	6" x 90°	6	2-11/16	2-11/16	20	88
120700	7" x 90°	7	2-7/8	2-3/4	12/Bndl	105
120800	8" x 90°	8	3	3-1/4	12/Bndl	147
120900	9" x 90°	9	3-3/8	3-1/4	8/Bndl	200
121000	10" x 90°	10	3-1/8	3-1/8	8/Bndl	198

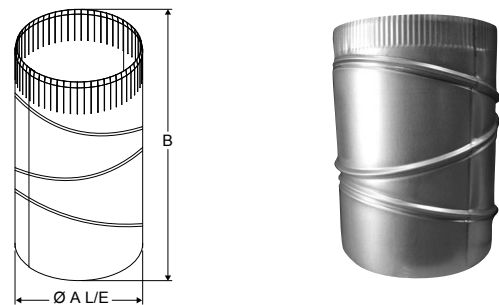
NOTE: All Elbows are large end/small end unless otherwise specified.



90° ELBOWS — 30 GAUGE — STRAIGHT TUBE

ITEM #	SIZE	A (")	B (")	CTN/QTY	WT/100
120401	4" x 90°	4	8	12/Bndl	55
120601	6" x 90°	6	9-3/8	12/Bndl	88
120701	7" x 90°	7	10-1/2	12/Bndl	105
120801	8" x 90°	8	12-1/8	12/Bndl	147
120901	9" x 90°	9	13-3/4	8/Bndl	200
121001	10" x 90°	10	13-1/2	8/Bndl	198

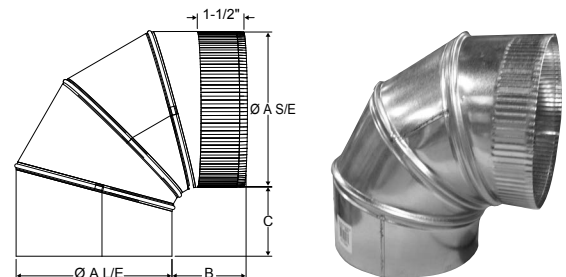
NOTE: All Elbows are large end/small end unless otherwise specified.



90° ELBOWS — 28 GAUGE

ITEM #	SIZE	A (")	B (")	C (")	CTN/QTY	WT/100
120428	4" x 90°	4	2-7/8	2-3/8	50	65
120528	5" x 90°	5	2-5/8	2-1/8	30	86
120628	6" x 90°	6	2-11/16	2-11/16	20	120
120728	7" x 90°	7	2-7/8	2-3/4	12/Bndl	150
120828	8" x 90°	8	3	3-1/4	12/Bndl	250
120928	9" x 90°	9	3-3/8	3-1/4	8/Bndl	250
121028	10" x 90°	10	3-1/8	3-1/8	8/Bndl	245
121200	12" x 90°	12	3-1/2	4-1/8	4/Bndl	350
121400	14" x 90°	13-15/16	3-3/4	4-1/2	4/Bndl	445
121600	16" x 90°	15-15/16	4-3/4	4-3/4	2/Bndl	600

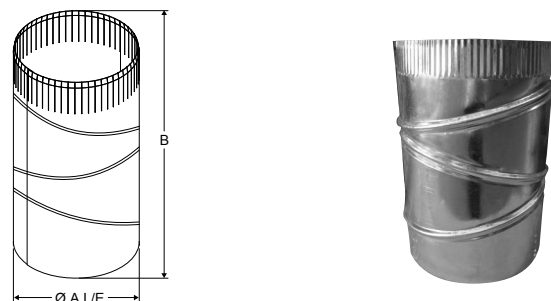
NOTE: All Elbows are large end/small end unless otherwise specified.



90° ELBOWS — 28 GAUGE — STRAIGHT TUBE

ITEM #	SIZE	A (")	B (")	CTN/QTY	WT/100
121229	12" x 90°	12	16-1/2	8/Bndl	370
121429	14" x 90°	13-15/16	18-1/4	4/Bndl	400

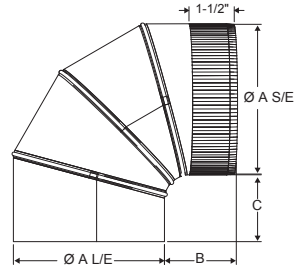
NOTE: All Elbows are large end/small end unless otherwise specified.



90° ELBOWS — 26 GAUGE

ITEM #	SIZE	A (")	B (")	C (")	CTN/QTY	WT/100
540326	3" x 90°	3	2-11/16	2-11/16	20	47
540426	4" x 90°	4	2-7/8	2-3/8	50	76
540526	5" x 90°	5	2-5/8	2-1/8	30	99
540626	6" x 90°	6	2-11/16	2-11/16	20	137
540726	7" x 90°	7	2-7/8	2-3/4	12/Bndl	150
540826	8" x 90°	8	3	3-1/4	12/Bndl	195
540926	9" x 90°	9	3-3/8	3-1/4	8/Bndl	250
541026	10" x 90°	10	3-1/8	3-1/8	8/Bndl	284
541226	12" x 90°	12	3-1/2	4-1/8	4/Bndl	395
541426	14" x 90°	13-15/16	3-3/4	4-1/2	4/Bndl	525
541626	16" x 90°	15-15/16	4-3/4	4-3/4	2/Bndl	660
541826	18" x 90°	17-7/8	4-3/4	5-1/8	2/Bndl	950

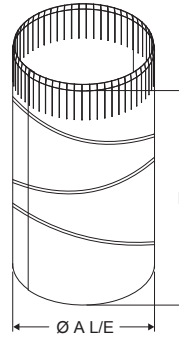
NOTE: All Elbows are large end/small end unless otherwise specified.



90° ELBOWS — 26 GAUGE — STRAIGHT TUBE

ITEM #	SIZE	A (")	B (")	BNDL/QTY	WT/100
540729	7" x 90°	7	10-1/2	12	175
540829	8" x 90°	8	12-1/8	12	225
540929	9" x 90°	9	13-3/4	12	275
541029	10" x 90°	10	13-1/2	12	325
541229	12" x 90°	12	16-1/2	8	500
541429	14" x 90°	14	18-1/4	4	650
541629	16" x 90°	16	21	4	700
541829	18" x 90°	18	23	4	950

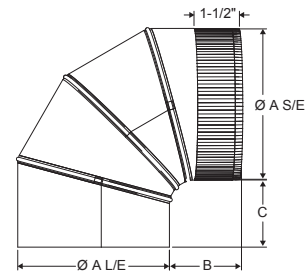
NOTE: All Elbows are large end/small end unless otherwise specified.



90° ELBOWS — 24 GAUGE

ITEM #	SIZE	A (")	B (")	C (")	CTN/QTY	WT/100
540424	4" x 90°	4	2-3/4	2-7/8	20	95
540524	5" x 90°	5	3-1/8	2-3/4	20	120
540624	6" x 90°	6	2-7/8	2-3/4	20	170
540724	7" x 90°	7	3-1/4	3-1/4	8/Bndl	200
540824	8" x 90°	8	3-3/4	3-7/8	8/Bndl	300
540924	9" x 90°	9	3-7/8	3-3/8	8/Bndl	350
541024	10" x 90°	10	4-1/4	4-1/4	8/Bndl	375
541224	12" x 90°	12	4-1/8	4-1/8	4/Bndl	515
541424	14" x 90°	13-15/16	4-1/2	4-1/4	4/Bndl	650
541624	16" x 90°	15-15/16	4-1/2	4-3/4	2/Bndl	820
541824	18" x 90°	17-7/8	5	5	2/Bndl	1050
542024	20" x 90°	19-7/8	5-1/2	5-1/2	2/Bndl	1250

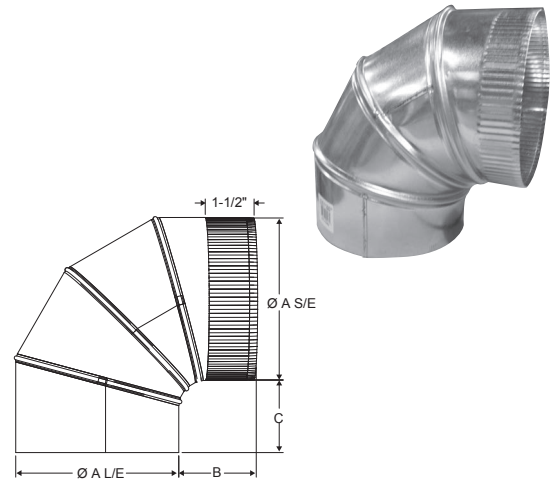
NOTE: All Elbows are large end/small end unless otherwise specified.



90° ELBOWS — 22 GAUGE

ITEM #	SIZE	A (")	B (")	C (")	PCS/BNDL	WT/100
540822	8" x 90°	8	3-3/4	3-7/8	4	356
540922	9" x 90°	9	3-7/8	3-3/8	4	415
541022	10" x 90°	10	4-1/4	4-1/4	4	504
541222	12" x 90°	12	4-1/8	4-1/8	4	740
541422	14" x 90°	13-15/16	4-1/2	4-1/4	4	948
541622	16" x 90°	15-15/16	4-1/2	4-3/4	2	965
541822	18" x 90°	17-7/8	5	5	2	1244
542022	20" x 90°	19-7/8	5-1/2	5-1/2	2	1481
542222	22" x 90°	21-7/8	4	4-3/4	2	1718
542422	24" x 90°	23-7/8	5-1/2	6-1/8	2	2015

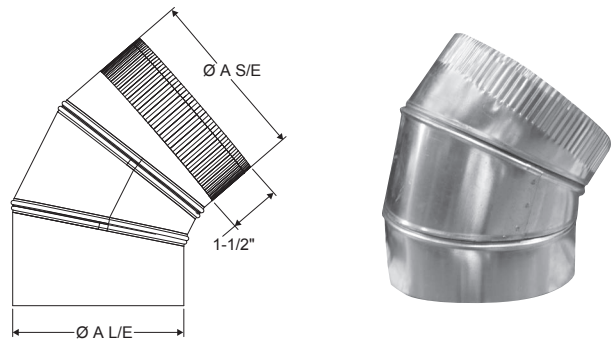
NOTE: All Elbows are large end/small end unless otherwise specified.



45° ELBOWS — 26 GAUGE

ITEM #	SIZE	A (")	CTN/QTY	WT/100
543426	4" x 45°	4	50	62
543526	5" x 45°	5	40	78
543626	6" x 45°	6	25	99
543726	7" x 45°	7	8/Bndl	128
543826	8" x 45°	8	8/Bndl	162
543926	9" x 45°	9	8/Bndl	181

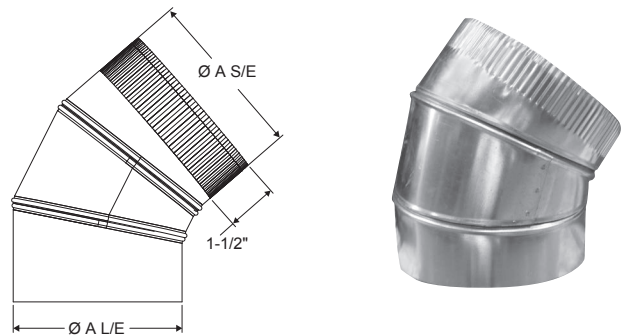
NOTE: All Elbows are large end/small end unless otherwise specified.



45° ELBOWS — 24 GAUGE

ITEM #	SIZE	A (")	PCS/BNDL	WT/100
543524	5" x 45°	5	8	100
543624	6" x 45°	6	8	126
543724	7" x 45°	7	8	163
543824	8" x 45°	8	8	207
543924	9" x 45°	9	8	230
544024	10" x 45°	10	8	308
544224	12" x 45°	12	8	368
544424	14" x 45°	13-15/16	8	430

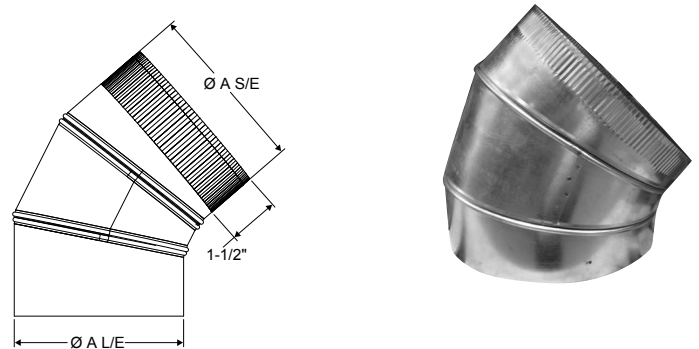
NOTE: All Elbows are large end/small end unless otherwise specified.



45° ELBOWS — 22 GAUGE

ITEM #	SIZE	A (")	PCS/BNDL	WT/100
543722	7" x 45°	7	8	199
543822	8" x 45°	8	8	251
543922	9" x 45°	9	8	281
544022	10" x 45°	10	8	375
544222	12" x 45°	12	8	448
544422	14" x 45°	13-15/16	8	523
544622	16" x 45°	15-15/16	4	746
544822	18" x 45°	17-7/8	4	837
545022	20" x 45°	19-7/8	4	1116
545222	22" x 45°	21-7/8	4	1362
545422	24" x 45°	23-7/8	4	1484

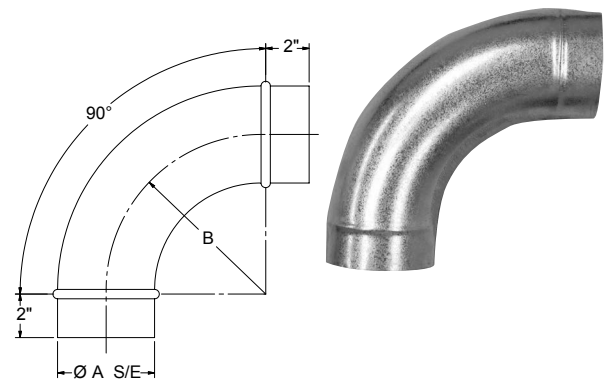
NOTE: All Elbows are large end/small end unless otherwise specified.



90° ELBOWS DIE STAMPED — 1-1/2 CENTERLINE — WELDED SMALL END/SMALL END — E-90-1

ITEM #	SIZE	A (")	B (")	GA	CTN/QTY	WT/100
548103	3" x 90°	3	4-1/2	24	*	80
548104	4" x 90°	4	6	24	*	140
548105	5" x 90°	5	7-1/2	24	*	180
548106	6" x 90°	6	9	24	*	220
548107	7" x 90°	7	10-1/2	24	*	350
548108	8" x 90°	8	12	22	*	470
548109	9" x 90°	9	13-1/2	22	*	610
548110	10" x 90°	10	15	22	*	760
548112	12" x 90°	12	18	22	*	1020

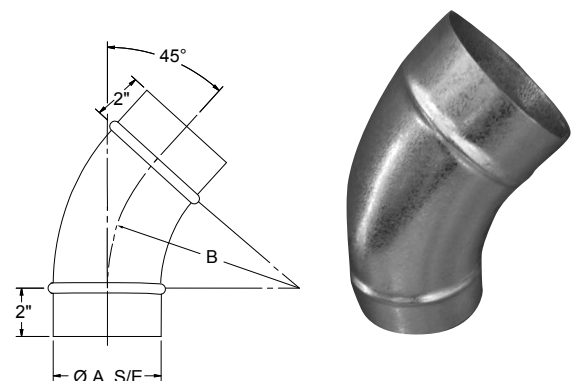
*Product shipped individually.



45° ELBOWS DIE STAMPED — 1-1/2 CENTERLINE — WELDED SMALL END/SMALL END — E-45-1

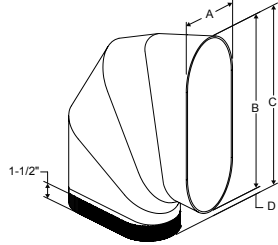
ITEM #	SIZE	A (")	B (")	GA	CTN/QTY	WT/100
548203	3" x 45°	3	4-1/2	24	*	60
548204	4" x 45°	4	6	24	*	80
548205	5" x 45°	5	7-1/2	24	*	100
548206	6" x 45°	6	9	24	*	150
548207	7" x 45°	7	10-1/2	24	*	180
548208	8" x 45°	8	12	22	*	300
548209	9" x 45°	9	13-1/2	22	*	350
548210	10" x 45°	10	15	22	*	420
548212	12" x 45°	12	18	22	*	650

*Product shipped individually.

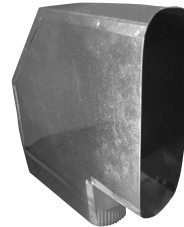
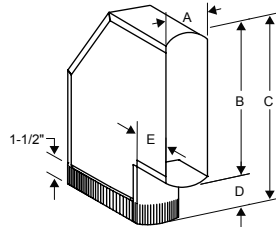


OVAL ELBOWS LONG WAY 90°

ITEM #	MODEL	SIZE (")	A (")	B (")	C (")	D (")	CTN/QTY	WT/100
111936	GV2062	6 (3 × 7-3/4)	3	7-3/4	10-1/2	2-3/4	40	180

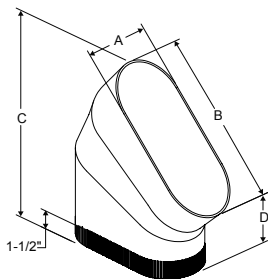


ITEM #	SIZE (")	A (")	B (")	C (")	D (")	E (")	CTN/QTY	WT/100
111935	5 (3 × 6-1/8)	3	6-1/8	9-1/8	3	3	20	130
111937	7 (3 × 9-1/4)	3	9-1/4	12-5/8	3-3/8	3-1/2	20	220
111938	8 (3 × 10-7/8)	3	10-7/8	14-7/8	4	4	20	159

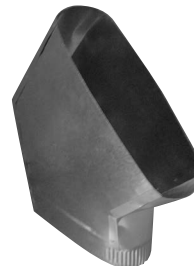
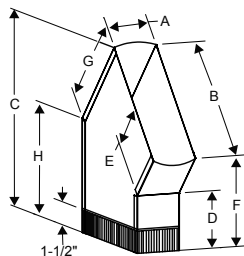


OVAL ELBOWS LONG WAY 45°

ITEM #	MODEL	SIZE (")	A (")	B (")	C (")	D (")	CTN/QTY	WT/100
111945	GV2058	5 (3 × 6-1/8)	3	6-1/8	9	3-3/4	30	105
111946	GV2059	6 (3 × 7-3/4)	3	7-3/4	10-1/8	4-3/4	25	120
111947	GV2060	7 (3 × 9-1/4)	3	9-1/4	11-1/2	5-3/4	15	135



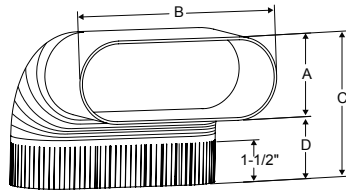
ITEM #	SIZE (")	A (")	B (")	C (")	D (")	E (")	F (")	G (")	H (")	CTN/QTY	WT/100
111948	8 (3 × 10-7/8)	3	10-7/8	13-1/2	4	4	6-3/4	8-1/8	7-7/8	20	120



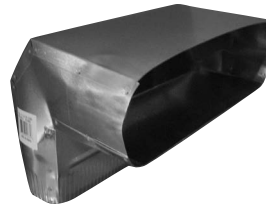
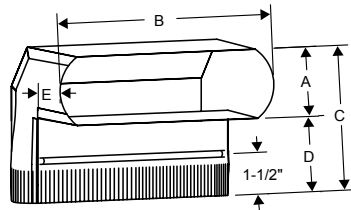
- E.&O.E. - Subject to Change Without Notice - May Not Be Available At All Locations -

OVAL ELBOWS SHORT WAY 90°

ITEM #	MODEL	SIZE (")	A (")	B (")	C (")	D (")	CTN/QTY	WT/100
111941	GV2077	5 (3 × 6-1/8)	3	6-1/8	6	3	39	105
111939	GV2078	6 (3 × 7-3/4)	3	7-3/4	6-1/4	3-1/4	30	130
111942	GV2079	7 (3 × 9-1/4)	3	9-1/4	7-1/2	4-1/2	20	150

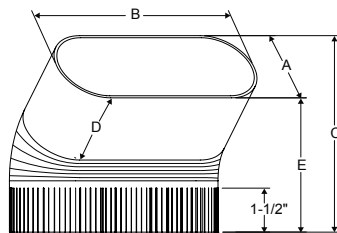


ITEM #	SIZE (")	A (")	B (")	C (")	D (")	E (")	CTN/QTY	WT/100
111940	5 (3 × 6-1/8)	3	6-1/8	6	3	3	20	105
111943	8 (3 × 10-7/8)	3	10-7/8	7	4	4	20	107

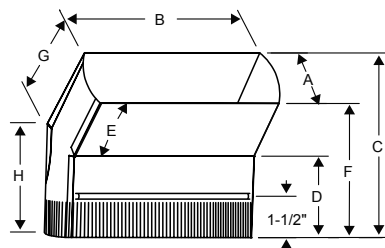


OVAL ELBOWS SHORT WAY 45°

ITEM #	MODEL	SIZE (")	A (")	B (")	C (")	D (")	E (")	CTN/QTY	WT/100
111965	GV2074	5 (3 × 6-1/8)	3	6-1/8	7	2-3/4	4-3/4	48	105
111966	GV2075	6 (3 × 7-3/4)	3	7-3/4	7-3/8	2-3/4	5-1/4	36	70



ITEM #	SIZE (")	A (")	B (")	C (")	D (")	E (")	F (")	G (")	H (")	CTN/QTY	WT/100
111967	7 (3 × 9-1/4)	3	9-1/4	7-3/4						24	90
111968	8 (3 × 10-7/8)	3	10-7/8	9	4	4	6-3/4	5-1/4	5-1/4	20	95



- E.&O.E. - Subject to Change Without Notice - May Not Be Available At All Locations -

CUSTOM ELBOWS — MANUFACTURED TO MEET YOUR SPECIFICATIONS

To help meet your specific requirements, our sales staff will need to know the pressure class or duct velocity of the system. We can then determine the gauge and construction details. Knowing the degree of the elbow in the pressure class or velocity will also determine the number of segments or gores required.

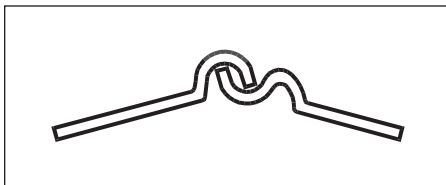
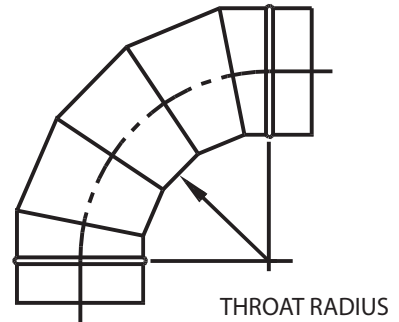
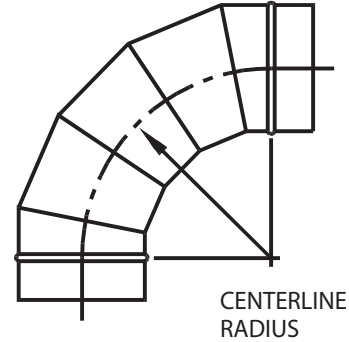
MITERED ELBOWS

Duct Velocity	R/D Ratio Centerline Radius to Duct Diameter	Number of Mitered Pieces		
		90°	60°	45°
Up to 1000 fpm	0.6	3	2	2
1001 to 1500 fpm	1.0	4	3	2
Above 1500 fpm	1.5	5	4	3

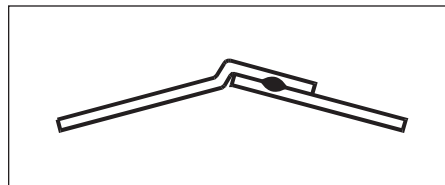
Source: SMACNA HVAC Duct Construction Standards

Please specify when ordering:

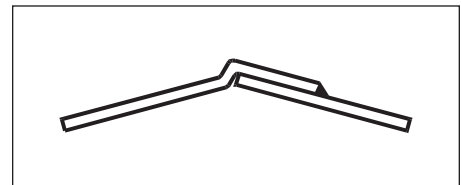
1. Diameter
2. Degree Angle
3. Radius (centerline or throat)
4. Gauge (thickness of material) or pressure class (WG)
5. Number of segments or gores (determined by degree and pressure class) (WG)
6. Material, e.g.: Galvanized; Aluminum; Stainless Steel; PVC Coated; etc.
7. Fitting Connection
 - e.g.: big end/small end rule size;
 - small end/small end spiral size;
 - small end/big end spiral size;
 - big end over spiral/small end into spiral (blow pipe).
8. Construction — determined by pressure class (WG):
 - (a) turned seam;
 - (b) lap and spot;
 - (c) lap and weld;
 - (d) butt weld;
 - (e) standing seam;
 - (f) spiral seam.



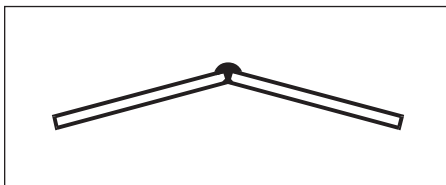
TURNED SEAM



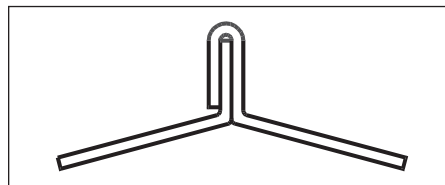
LAP AND SPOT



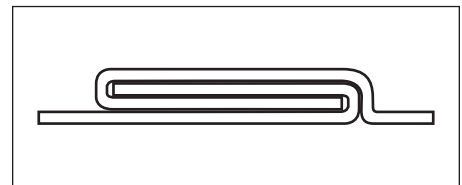
LAP AND WELD



BUTT WELD



STANDING SEAM



SPIRAL SEAM

– E.&O.E. – Subject to Change Without Notice – May Not Be Available At All Locations –



www.eccomfg.com

Langley Distribution

19860 Fraser Highway
Langley, British Columbia
Canada V3A 4C9

Phone: 604-530-4151
Toll Free: 1-877-955-4805
Fax: 604-533-9335

Calgary Distribution

21 – 11150 38th Street, S.E.
Calgary, Alberta
Canada T2C 2Z6

Phone: 403-720-0895
Toll Free: 1-877-955-4815
Fax: 403-720-0897

Kent Distribution

20001 87th Ave. S, Bldg E
Kent, Washington
USA 98031

Phone: 253-872-3721
Toll Free: 1-800-207-6859
Fax: 253-872-3724

LOUVERS & DAMPERS



ECCO™ is proud to be a member of:



SMACNA
Sheet Metal and Air
Conditioning Contractors'
National Association
www.smacna.org



HRAI
Heating, Refrigeration and
Air Conditioning
Institute of Canada
www.hrai.ca



HARDI
Heating, Air-conditioning
& Refrigeration
Distributors International
www.hardinet.org



ADI
Air
Distribution
Institute
www.steelduct.org



AD
Affiliated Distributors™
www.adhq.com



CME
Canadian
Manufacturers &
Exporters
www.cme-mec.ca



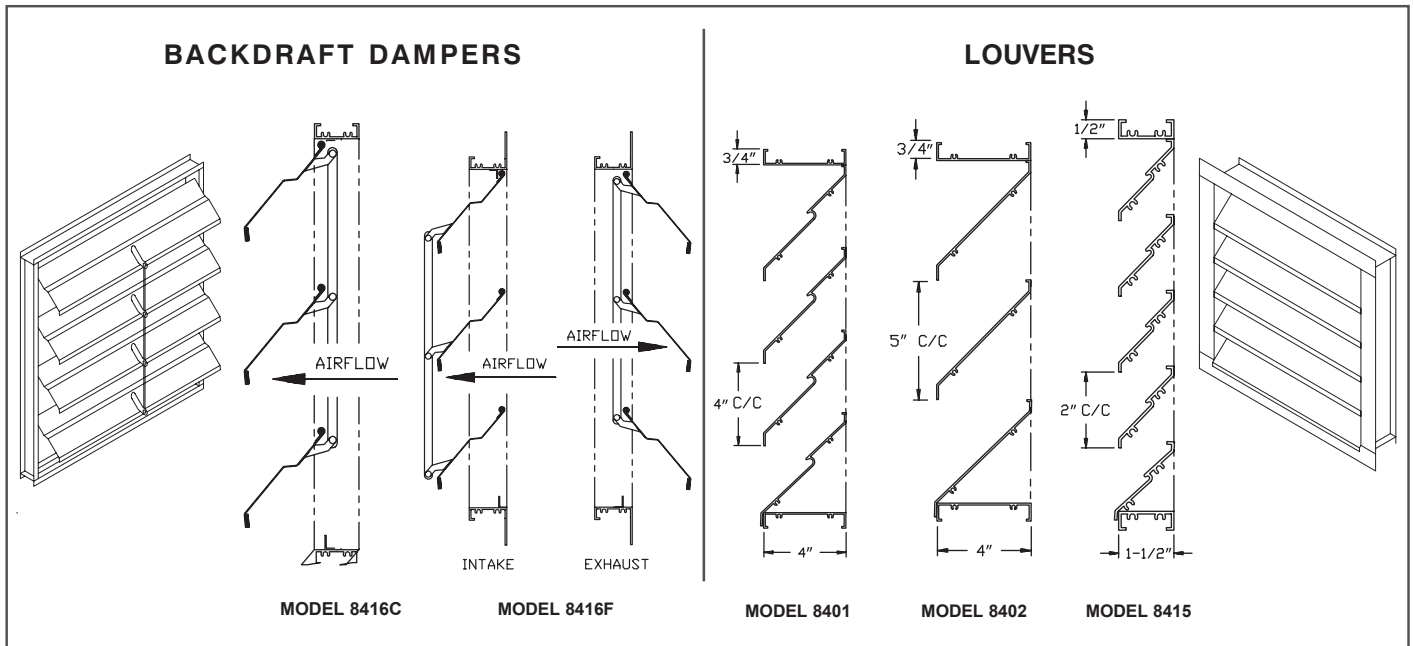
SPIDA
Spiral Duct
Manufacturers
Association
www.spida.org

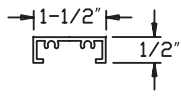
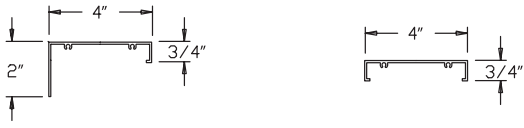
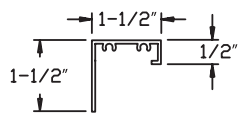
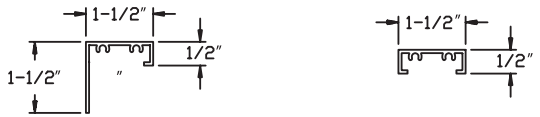


INDEX

BALANCING DAMPERS.....	A6-4
LOUVERED PENTHOUSES	
MITRED CORNER.....	A6-5
MULLION CORNER	A6-5
LOUVERS AND BACKDRAFT DAMPERS.....	A6-3

LOUVERS AND BACKDRAFT DAMPERS



<p>MODEL 8416C</p>  <p>CHANNEL FRAME</p>	<p>MODEL 8401/8402</p>  <p>FLANGE FRAME CHANNEL FRAME</p>	
<p>MODEL 8416F</p>  <p>FLANGE FRAME</p>	<p>MODEL 8415</p>  <p>FLANGE FRAME CHANNEL FRAME</p>	

SPECIFY FOR ORDERING

- Flange or Channel Frame
- 4" or 2" Deep
- Blade Type, eg.: 8401 — Weather Blade Intake
8402 — Straight Blade Exhaust

ALLOY

Model 8401/8402 (6063 — T5 Extruded Aluminum .080)
Model 8415/8416 (6063 — T5 Extruded Aluminum .070)

BLADES

Fixed at 45°, Secured with Cadmium Plated Screws (welding optional)

SCREEN

16 Gauge 1/2" × 1/2" Galvanized Screen, Fixed to Rear of Louver with Cadmium Plated Screws

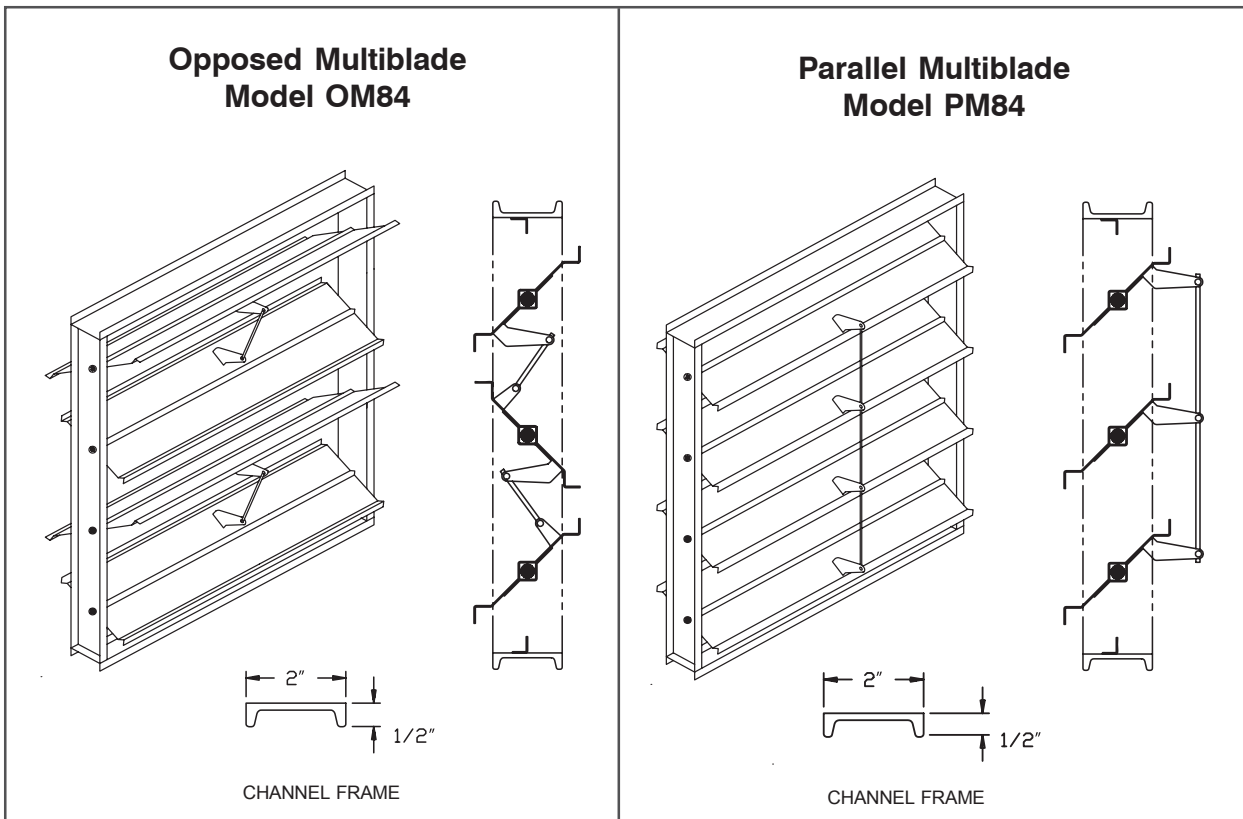
FINISH

Standard — Mill Finish

***** PRICE ON APPLICATION *****

— E.&O.E. — Subject to Change Without Notice — May Not Be Available At All Locations —

BALANCING DAMPERS



BLADES	Up to 18" Wide — 20 Gauge Over 18" Wide — 16 Gauge
FINISH	Standard — Galvanized
FRAMES	1/2" x 2" x 1/2" Welded Steel Channel
BEARINGS	Standard — Pressed Oilite Bronze Bushings Optional — Ball Bearings or Nylon Bushings
LINKAGE	Blades Interconnected with 1/4" Rod, Duro Dyne Hardware
OPERATION	Standard — Extended Shaft for Control (manual or automatic)
SIZES	Blades maximum 10" wide x 48" long Supplied in multiples to suit all openings

***** PRICE ON APPLICATION *****

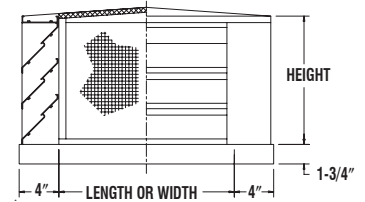
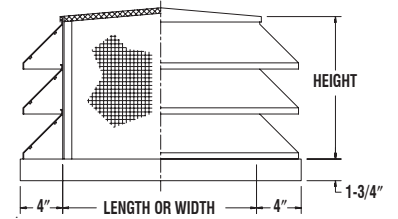
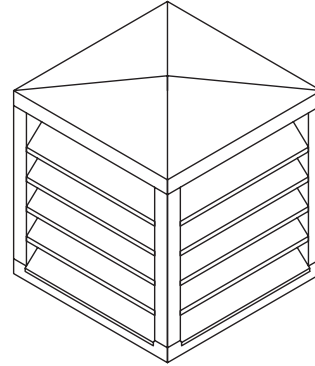
— E.&O.E. — Subject to Change Without Notice — May Not Be Available At All Locations —

LOUVERED PENTHOUSES

MITRED CORNER PENTHOUSE

General Data

The Mitred Corner Penthouse is available with the three styles of louver blades: 8401, 8402, and 8415. Welded and mitred corners provide an attractive horizontal line. Blades and sills are manufactured from extruded aluminum 6063-T5; minimum cross section .081" (2 mm). The .081" (2 mm) formed aluminum roof is lined with a 1/2" (13 mm) fiberglass insulation and vapour barrier.



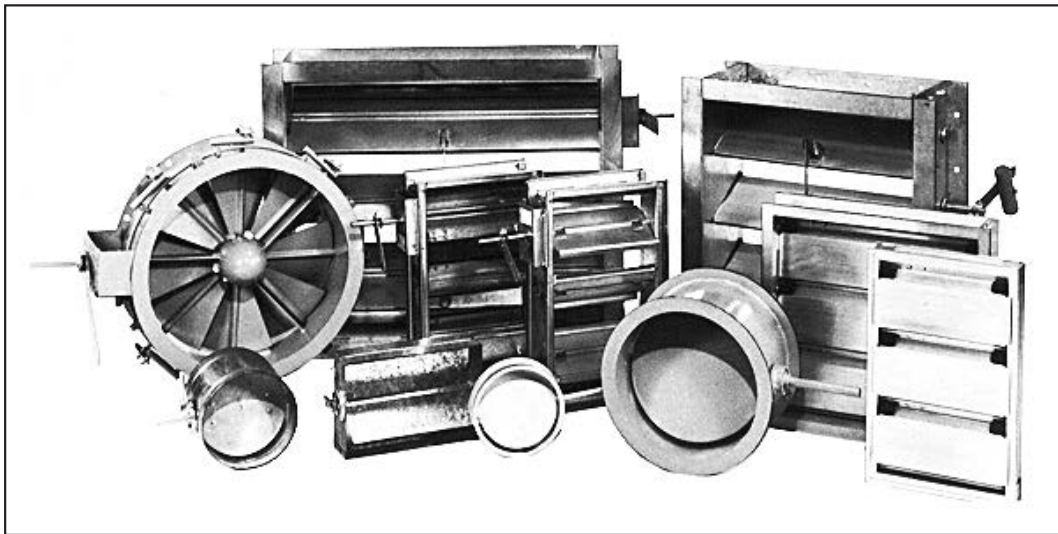
MULLION CORNER PENTHOUSE

General Data

Available in the three styles of louver blades: 8401, 8402, and 8415. Structural frame and mullion corners provide an exceptionally strong structure where heavy snow loads are a critical factor. The .081" (2 mm) formed aluminum roof is lined with a 1/2" (13 mm) fiberglass insulation and vapour barrier.

***** PRICE ON APPLICATION *****

Contact your ECCO™ sales representative for specifications and specialty Dampers and Louvers



Dampers

- Commercial Dampers
- Industrial Dampers
- Galvanized, Aluminum or Stainless Steel Construction

Louvers

- Specialty Louvers
- Sightproof
- Vertical Blade
- Sunscreen
- Acoustical

– E.&O.E. – Subject to Change Without Notice – May Not Be Available At All Locations –



www.eccomfg.com

Langley Distribution

19860 Fraser Highway
Langley, British Columbia
Canada V3A 4C9

Phone: 604-530-4151
Toll Free: 1-877-955-4805
Fax: 604-533-9335

Calgary Distribution

21 – 11150 38th Street, S.E.
Calgary, Alberta
Canada T2C 2Z6

Phone: 403-720-0895
Toll Free: 1-877-955-4815
Fax: 403-720-0897

Kent Distribution

20001 87th Ave. S, Bldg E
Kent, Washington
USA 98031

Phone: 253-872-3721
Toll Free: 1-800-207-6859
Fax: 253-872-3724

MODEL E/R B-VENT CHIMNEY

Type B Gas Vent 3" - 8"



ECCO™ is proud to be a member of:



SMACNA
Sheet Metal and Air
Conditioning Contractors'
National Association
www.smacna.org



HRAI
Heating, Refrigeration and
Air Conditioning
Institute of Canada
www.hrai.ca



HARDI
Heating, Air-conditioning
& Refrigeration
Distributors International
www.hardinet.org



ADI
Air
Distribution
Institute
www.steelduct.org



AD
Affiliated Distributors™
www.adhq.com



CME
Canadian
Manufacturers &
Exporters
www.cme-mec.ca



SPIDA
Spiral Duct
Manufacturers
Association
www.spida.org



MODEL E/R TYPE B GAS VENT 3" - 8"

INDEX

ADAPTERS

A-VENT TO B-VENT.....	B1-17
B-VENT TO B-VENT — BA	B1-16
FEMALE — B-VENT — FMA	B1-16
FEMALE — B-VENT — FMSA	B1-16
MALE — B-VENT — MA	B1-17
MALE — B-VENT — MSA.....	B1-17

ATTIC INSULATION SHIELDS — AIS	B1-9
--------------------------------------	------

CHINA CAPS — GALVANIZED.....	B1-5
------------------------------	------

COLLARS

FINISHING — FC	B1-18
STORM — SC	B1-9
STORM — SPUN — SSC.....	B1-9

CONNECTORS

B-VENT TO FLEX — BF	B1-16
B-VENT TO SINGLE WALL — BSW	B1-15
DRAFT HOOD — DHCI	B1-15
DRAFT HOOD — DHCH	B1-15
GAS VENT — FLEXIBLE — FGVC	B1-6

ELBOWS

45 DEGREE — 45EL — 2 PIECE.....	B1-10
45 DEGREE — 45EL — 3 PIECE.....	B1-11
90 DEGREE — 90EL.....	B1-11
DIRECT CONNECT — 90 DEGREE.....	B1-11

FIRESTOP SPACERS — FS.....	B1-9
----------------------------	------

FLASHINGS

ADJUSTABLE	
1/12 - 7/12 — AF	B1-7
1/12 - 7/12 — ARF — SOLDERED.....	B1-7
8/12 - 12/12 — AFS.....	B1-7
8/12 - 12/12 — ARF — SOLDERED	B1-7
FLAT — FF	B1-8
FLAT — HOT WELDED	B1-8
FLAT — PIPE SIZE — HOT WELDED	B1-8

GASKET — BUTYL (SEALANT TAPE).....	B1-17
------------------------------------	-------

INCREASERS — DOUBLE WALL — INC	B1-15
--------------------------------------	-------

MODEL E/R TYPE 'B' GAS VENT 3" - 8"	
APPLICATION / DIAGRAM / INSTALLATION	B1-3 - B1-4

RAIN CAPS — RC.....	B1-8
---------------------	------

SUPPORT PLATES — SP.....	B1-10
--------------------------	-------

SUPPORT RINGS — SR.....	B1-10
-------------------------	-------

TEE CAPS — SPUN — TC	B1-12
----------------------------	-------

TEES

DOUBLE WALL

DWT	B1-12
DWT TAPER	B1-12

SINGLE WALL

ALUMINUM — SWTA	B1-14
BASE — ALUMINUM — SWBTA.....	B1-13
BASE — GALVANIZED — SWBT.....	B1-13
GALVANIZED — SWT.....	B1-12

TYPE B GAS VENT KITS

LESS DRAFT HOOD CONNECTOR	B1-19
WITH DRAFT HOOD CONNECTOR.....	B1-18
WITH SINGLE WALL BASE TEE	B1-19

TYPE B OVAL GAS VENT AND FITTINGS

4"	B1-20
5"	B1-20
VENT PIPE — VP	
ADJUSTABLE — VPA.....	B1-6
ADJUSTABLE WITH CLAMP — VPAC.....	B1-6
WALL BANDS — WB	B1-18
WALL THIMBLES — ROUND PIPE.....	B1-20
WARRANTY.....	B1-21
WYES — SWIVEL — DOUBLE WALL — DWW	B1-14

LEGEND

NOTE: The boxed columns throughout the tables are intended to provide a quick determination of ordering dimensions.

ABBREVIATIONS: CTN/QTY = Carton Quantity
 WT/100 = Weight per 100 Pieces
 PCS/BNDL = Pieces per Bundle

– E.&O.E. – Subject to Change Without Notice – May Not Be Available At All Locations –

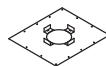
FINISH COLLAR



SUPPORT RING



SUPPORT PLATE



FIRE STOP SPACER



RAIN CAP



ALUMINUM TEE REDUCER WYFABS



B-VENT TO B-VENT ADAPTOR



B-VENT TO FLEX CONNECTOR



DOUBLE WALL INCREASER



SINGLE WALL TEE



DRAFT HOOD CONNECTOR



SPUN PLUG/TCAP



DOUBLE WALL TEE



DOUBLE WALL WYE BRANCH



DOUBLE WALL ELBOW 90°



STORM COLLAR



FLAT ROOF FLASHING



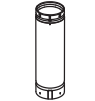
ADJUSTABLE ROOF FLASHING 8/12 - 7/12 PITCH



ADJUSTABLE ROOF FLASHING 6/12 - 12/12 PITCH



B-VENT PIPE



ADJUSTABLE B-VENT PIPE



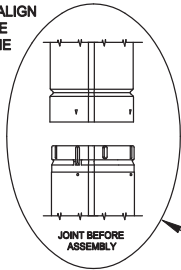
DOUBLE WALL ELBOW 45°



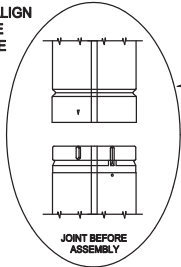
Type B Gas Vent Installation Model E/R-Residential 3"-8"

ASSEMBLY

- 3", 4", 5" SIZES
- TO JOIN VENT PIPES, ALIGN THE SEAMS, SLIDE THE UPPER VENT OVER THE LOWER VENT AND ROTATE THE UPPER VENT 1/4 TURN TO THE LEFT



- 6", 7", 8" SIZES
- TO JOIN VENT PIPES, ALIGN THE SEAMS, SLIDE THE UPPER VENT OVER THE LOWER VENT AND SNAP LOCK IN PLACE



CONSTRUCTION DETAILS

- ROLL FORMED FINISH**
- ELIMINATES SHARP EDGES
 - INTEGRATES THE INNER AND OUTER PIPE AS ONE UNIT

- LOCKING INDENTATION**
- ASSURES A SECURE CONNECTION

- POSITIVE CONNECT INDICATOR**
- ENSURES INSTALLER HAS ACHIEVED COMPLETE CONNECTION

- ALUMINUM INNER CONDUIT**
- RESISTS CORROSION

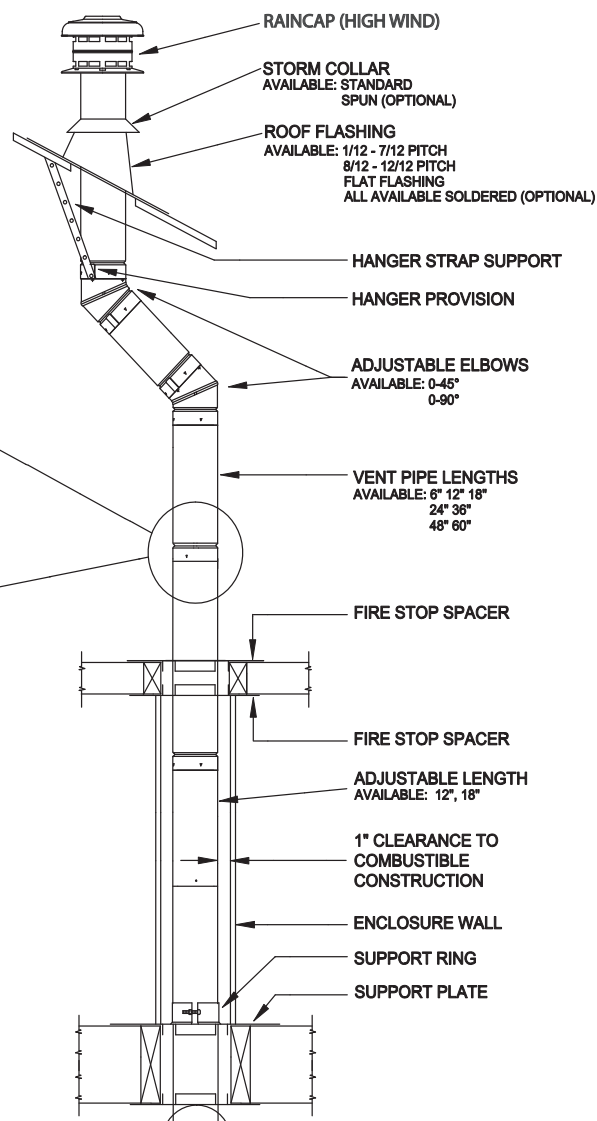
- 1/4" INSULATING AIR SPACE**
- ELIMINATES CONDENSATION, WHILE KEEPING THE OUTER CASING COOL

- GALVALUME OUTER CASING**
- PROVIDES STRENGTH AND DURABILITY

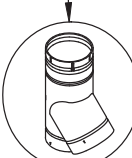
- LOCKING TABS**
- ASSURES POSITIVE CONNECTION

- HANGER PROVISION**
- PROVIDED ON EVERY VENT PIPE AND ELBOW
 - ALLOWS INSERTION OF HANGER STRAP FOR CONVENIENT SUPPORT OF THE VENT SYSTEM

CERTIFICATION



DOUBLE WALL TEE
CUSTOM BRANCH SIZES AVAILABLE



DOUBLE WALL WYE



SINGLE WALL TEE



DRAFT HOOD CONNECTOR (C-VENT ADAPTOR)

DOUBLE WALL TEE



DOUBLE WALL WYE BRANCH



DOUBLE WALL ELBOW 90°



DOUBLE WALL ELBOW 45°



- E.&O.E. - Subject to Change Without Notice - May Not Be Available At All Locations -

ECCO Manufacturing PRINTED IN CANADA 29/02/08 J0



MODEL E/R TYPE B GAS VENT 3" – 8"

MODEL E/R TYPE 'B' GAS VENT 3" – 8"

APPLICATION / INSTALLATION

Vent sizing and installation are to be made in accordance with the applicable codes shown below.

NOTE: IN CANADA

Connection to appliance and vent sizing to be in accordance with the NATURAL GAS AND PROPANE INSTALLATION CODE, CAN/CSA-B149.1 and/or the requirements of the local authorities having jurisdiction.

NOTE: IN U.S.A.

Connection to appliance and vent sizing to be in accordance with the NATIONAL FUEL GAS CODE, NFPA 54, (ANSI Z223.1), NFPA 211, and/or the requirements of the local authorities having jurisdiction.



ECCO Type B Gas Vent and accessories are for venting listed Natural Gas or Liquid Propane Category 1 appliances only. ECCO Type B Gas Vent Systems may be used on other gas-burning appliances, providing the appliance is certified for use with Type B Gas Vent, the installation conforms to the appliance manufacturer's certified installation instructions, and the installation is acceptable to the requirements of the local authority having jurisdiction. Type B Gas Vent shall not be used to vent flue products from incinerators, combination gas/oil appliances, oil-fired, or wood-burning appliances. If there is a question about the use of Type B Gas Vents, contact the appliance manufacturer, the authority having jurisdiction, or ECCO Manufacturing™ for further information.

Tested to UL441 "Gas Vent" basic standard.

TABLE OF 45° OFFSETS (for attic area where required)

Use this table to determine the maximum offset produced by two 45° elbows and one length of vent pipe.

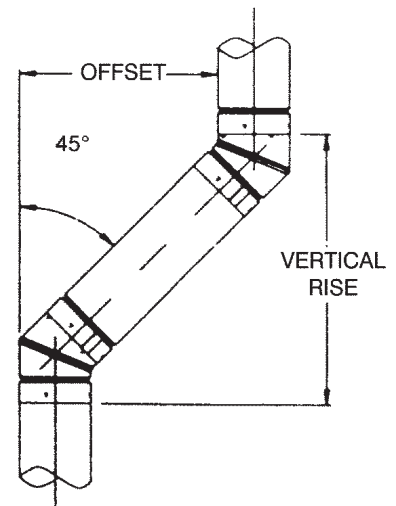
NOTE: Maximum Offsets for 4", 5", and 6" elbows are at 60°

Offset

VENT SIZE	LENGTH USED							
	NONE	6"	12"	18"	24"	36"	48"	60"
3	3-1/2	6-5/8	10-7/8	15-1/8	19-3/8	27-3/4	36-1/4	44-3/4
4	6-1/4	10	15-1/4	20-3/8	25-5/8	36	46-3/8	56-3/4
5	6-3/4	10-1/2	15-3/4	20-7/8	26-1/8	36-1/2	46-7/8	57-1/4
6	7-3/8	11-1/8	16-3/8	21-1/2	26-3/4	37-1/8	47-1/2	57-7/8
7	5	8-1/8	12-3/8	16-5/8	20-7/8	29-1/4	37-3/4	46-1/4
8	5-1/2	8-5/8	12-7/8	17-1/8	21-3/8	29-3/4	38-1/4	46-3/4

Vertical Rise

VENT SIZE	LENGTH USED							
	NONE	6"	12"	18"	24"	36"	48"	60"
3	8-3/8	11-1/2	15-3/4	20	24-1/4	32-5/8	41-1/8	49-5/8
4	10-3/4	13	16	19	22	28	34	40
5	11-3/4	14	17	20	23	29	35	41
6	12-1/2	14-3/4	17-3/4	20-3/4	23-3/4	29-3/4	35-3/4	41-3/4
7	11-7/8	15	19-1/4	23-1/2	27-3/4	36-1/8	44-5/8	53-1/8
8	12-5/8	15-3/4	20	24-1/4	28-1/2	36-7/8	45-3/8	53-7/8



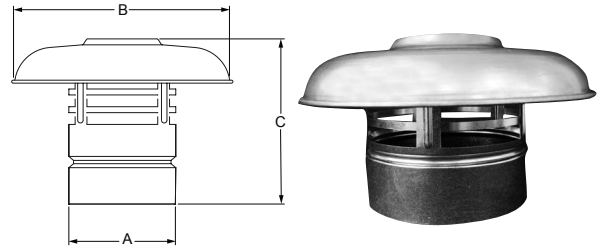
- E.&O.E. - Subject to Change Without Notice - May Not Be Available At All Locations -



MODEL E/R TYPE B GAS VENT 3" – 8"

CHINA CAPS — GALVANIZED

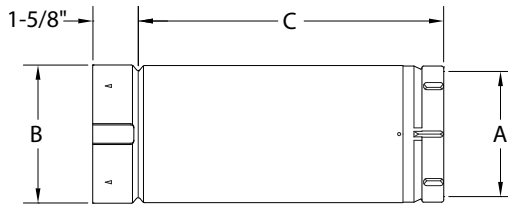
ITEM #	SIZE (")	A (")	B (")	C (")	CTN/QTY	WT/100
134300	3	3	7-3/4	5-3/4	20	75
134400	4	4	7-3/4	6	20	85
134500	5	5	9	6	20	120
134600	6	6	10-1/4	6	20	145
134700	7	7	12-1/4	6	10	186
134800	8	8	12-1/4	6	10	190
134810	10	10	15-1/2	6	5	280
134812	12	12	17-3/4	6-1/2	5	300
134814	14	14	19-3/4	7	5	320



VENT PIPE — VP

ITEM #	MODEL #	A (")	B (")	C (")	CTN/QTY	WT/100
200301	360VP	3	3-1/2	58-3/8	8	475
200401	460VP	4	4-1/2	58-3/8	6	600
210501	560VP	5	5-1/2	58-3/8	6	700
210601	660VP	6	6-1/2	58-3/8	6	900
220701	760VP	7	7-1/2	58-3/8	3	1008
220801	860VP	8	8-1/2	58-3/8	3	1100

NOTE: Dimension C is installed length. Nominal length is 60".



ITEM #	MODEL #	A (")	B (")	C (")	CTN/QTY	WT/100
200350	348VP	3	3-1/2	46-3/8	4	375
200450	448VP	4	4-1/2	46-3/8	6	500
210550	548VP	5	5-1/2	46-3/8	6	600
210650	648VP	6	6-1/2	46-3/8	6	675
220750	748VP	7	7-1/2	46-3/8	4	775
220850	848VP	8	8-1/2	46-3/8	4	900

NOTE: Dimension C is installed length. Nominal length is 48".

ITEM #	MODEL #	A (")	B (")	C (")	CTN/QTY	WT/100
200352	324VP	3	3-1/2	22-3/8	8	200
200452	424VP	4	4-1/2	22-3/8	6	250
210552	524VP	5	5-1/2	22-3/8	6	300
210652	624VP	6	6-1/2	22-3/8	6	350
220752	724VP	7	7-1/2	22-3/8	8	400
220852	824VP	8	8-1/2	22-3/8	8	450

NOTE: Dimension C is installed length. Nominal length is 24".

ITEM #	MODEL #	A (")	B (")	C (")	CTN/QTY	WT/100
200304	312VP	3	3-1/2	10-3/8	12	100
200404	412VP	4	4-1/2	10-3/8	12	125
210504	512VP	5	5-1/2	10-3/8	12	150
210604	612VP	6	6-1/2	10-3/8	12	200
220704	712VP	7	7-1/2	10-3/8	12	225
220804	812VP	8	8-1/2	10-3/8	12	250

NOTE: Dimension C is installed length. Nominal length is 12".

ITEM #	MODEL #	A (")	B (")	C (")	CTN/QTY	WT/100
200302	336VP	3	3-1/2	34-3/8	4	275
200402	436VP	4	4-1/2	34-3/8	6	375
210502	536VP	5	5-1/2	34-3/8	6	450
210602	636VP	6	6-1/2	34-3/8	6	525
220702	736VP	7	7-1/2	34-3/8	4	600
220802	836VP	8	8-1/2	34-3/8	4	700

NOTE: Dimension C is installed length. Nominal length is 36".

ITEM #	MODEL #	A (")	B (")	C (")	CTN/QTY	WT/100
200303	318VP	3	3-1/2	16-3/8	8	150
200403	418VP	4	4-1/2	16-3/8	8	200
210503	518VP	5	5-1/2	16-3/8	8	225
210603	618VP	6	6-1/2	16-3/8	8	275
220703	718VP	7	7-1/2	16-3/8	8	325
220803	818VP	8	8-1/2	16-3/8	8	350

NOTE: Dimension C is installed length. Nominal length is 18".

ITEM #	MODEL #	A (")	B (")	C (")	CTN/QTY	WT/100
200356	306VP	3	3-1/2	4-3/8	10	50
200456	406VP	4	4-1/2	4-3/8	10	80
210556	506VP	5	5-1/2	4-3/8	10	80
210656	606VP	6	6-1/2	4-3/8	10	100
220756	706VP	7	7-1/2	4-3/8	8	125
220856	806VP	8	8-1/2	4-3/8	8	125

NOTE: Dimension C is installed length. Nominal length is 6".

We have custom capabilities to manufacture any sizes you may require. Contact factory for special sizes and configurations not listed.

— E.&O.E. — Subject to Change Without Notice — May Not Be Available At All Locations —



MODEL E/R TYPE B GAS VENT 3" – 8"

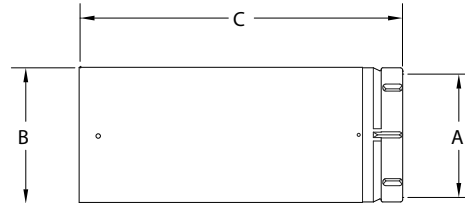
VENT PIPE ADJUSTABLE — VPA

ITEM #	MODEL #	A (")	B (")	C (")	CTN/QTY	WT/100
200305	312VPA	3	3-5/8	12	12	100
200405	412VPA	4	4-5/8	12	12	125
210505	512VPA	5	5-5/8	12	12	150
210605	612VPA	6	6-5/8	12	12	200
220705	712VPA	7	7-5/8	12	12	225
220805	812VPA	8	8-5/8	12	12	250

NOTE: 12" lengths adjust from 4" to 10". Includes sheet metal screws.

ITEM #	MODEL #	A (")	B (")	C (")	CTN/QTY	WT/100
200326	318VPA	3	3-5/8	18	8	150
200426	418VPA	4	4-5/8	18	8	200
210526	518VPA	5	5-5/8	18	8	225
210626	618VPA	6	6-5/8	18	8	275
220726	718VPA	7	7-5/8	18	8	325
220826	818VPA	8	8-5/8	18	8	350

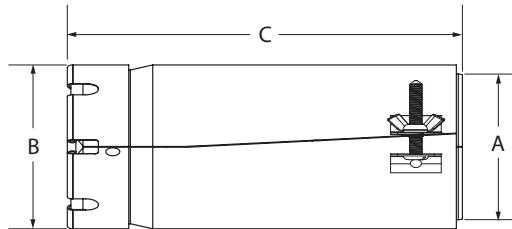
NOTE: 18" lengths adjust from 4" to 16". Includes sheet metal screws.



VENT PIPE ADJUSTABLE WITH CLAMP — VPAC

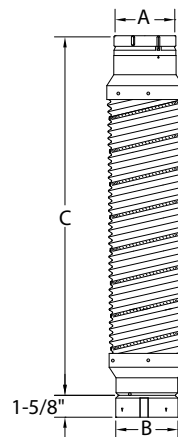
ITEM #	MODEL #	A (")	B (")	C (")	CTN/QTY	WT/100
200396	312VPAC	3	3-5/8	12	12	100
200496	412VPAC	4	4-5/8	12	12	125
210596	512VPAC	5	5-5/8	12	12	150
210696	612VPAC	6	6-5/8	12	12	200
220796	712VPAC	7	7-5/8	12	12	225
220896	812VPAC	8	8-5/8	12	12	250

ITEM #	MODEL #	A (")	B (")	C (")	CTN/QTY	WT/100
200397	318VPAC	3	3-5/8	18	8	150
200497	418VPAC	4	4-5/8	18	8	200
210597	518VPAC	5	5-5/8	18	8	225
210697	618VPAC	6	6-5/8	18	8	275
220797	718VPAC	7	7-5/8	18	8	325
220897	818VPAC	8	8-5/8	18	8	350



GAS VENT CONNECTORS — FLEXIBLE — FGVC

ITEM #	MODEL #	A (")	B (")	C (")	CTN/QTY	WT/100
200392	3" x 24"	3	3-1/2	24	25	130
200393	3" x 36"	3	3-1/2	36	16	230
200394	3" x 48"	3	3-1/2	48	16	290
200395	3" x 60"	3	3-1/2	60	16	345
200492	4" x 24"	4	4-1/2	24	16	220
200493	4" x 36"	4	4-1/2	36	9	300
200494	4" x 48"	4	4-1/2	48	9	365
200495	4" x 60"	4	4-1/2	60	9	445
210592	5" x 24"	5	5-1/2	24	11	260
210593	5" x 36"	5	5-1/2	36	9	345
210594	5" x 48"	5	5-1/2	48	9	435
210595	5" x 60"	5	5-1/2	60	9	510



We have custom capabilities to manufacture any sizes you may require. Contact factory for special sizes and configurations not listed.

– E.&O.E. – Subject to Change Without Notice – May Not Be Available At All Locations –

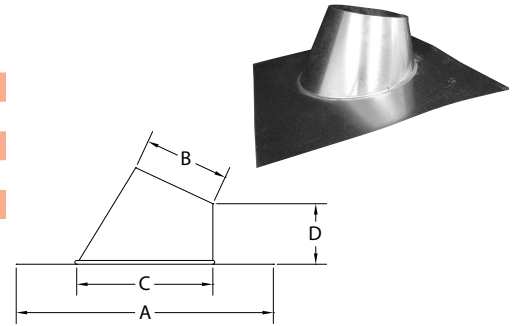


MODEL E/R TYPE B GAS VENT 3" - 8"

FLASHINGS — ADJUSTABLE — 1/12 — 7/12 — AF

ITEM #	MODEL #	SIZE (")	A (")	B (")	C (")	D (")	CTN/QTY	WT/100
200308	3AF	3	15 × 15	3-5/8	7	4	10	160
200408	4AF	4	16 × 16	4-5/8	8	4	10	180
210508	5AF	5	17 × 17	5-5/8	9	4	10	200
210608	6AF	6	18 × 18	6-5/8	10	4	10	230
220708	7AF	7	19-1/2 × 19-1/2	7-5/8	11-1/2	4	10	275
220808	8AF	8	20-1/2 × 20-1/2	8-5/8	12-1/2	4	10	300

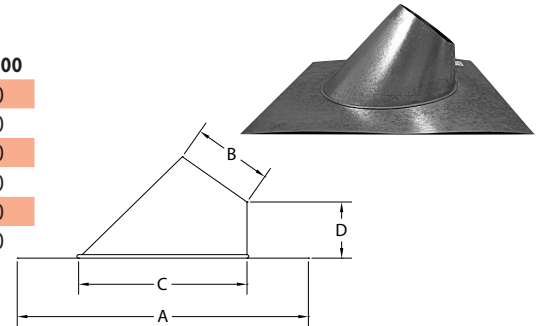
NOTE: Soldered roof flashings available upon request.



FLASHINGS — ADJUSTABLE — 8/12 — 12/12 — AFS

ITEM #	MODEL #	SIZE (")	A (")	B (")	C (")	D (")	CTN/QTY	WT/100
200328	3AFS	3	18 × 18	3-5/8	9-3/8	4	10	250
200428	4AFS	4	19-1/2 × 19-1/2	4-5/8	10-5/8	4	10	260
210528	5AFS	5	20-3/4 × 20-3/4	5-5/8	12	4	10	300
210628	6AFS	6	21-3/8 × 21-3/8	6-5/8	13-3/8	4	10	340
220728	7AFS	7	23 × 23	7-5/8	15	4	5	400
220828	8AFS	8	24-3/8 × 24-3/8	8-5/8	16-3/8	4	5	440

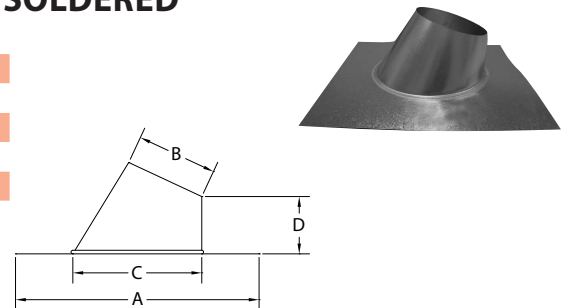
NOTE: Soldered roof flashings available upon request.



FLASHINGS — ADJUSTABLE — 1/12 — 7/12 — ARF — SOLDERED

ITEM #	MODEL #	A (")	B (")	C (")	CTN/QTY	WT/100
200369	3ARF	15 × 15	3-5/8	7	10	160
200469	4ARF	16 × 16	4-5/8	8	10	180
210569	5ARF	17 × 17	5-5/8	9	10	200
210669	6ARF	18 × 18	6-5/8	10	10	230
220769	7ARF	19-1/2 × 19-1/2	7-5/8	11-1/2	8	275
220869	8ARF	20-1/2 × 20-1/2	8-5/8	12-1/2	8	300

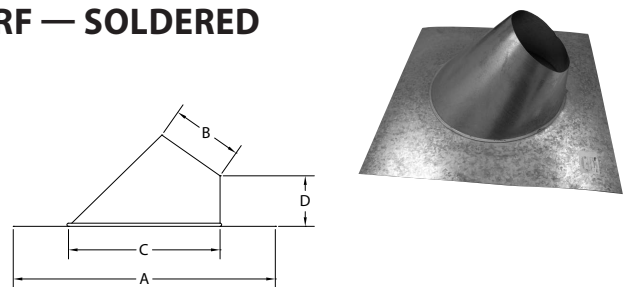
NOTE: All seams are soldered.



FLASHINGS — ADJUSTABLE — 8/12 — 12/12 — ARF — SOLDERED

ITEM #	MODEL #	A (")	B (")	C (")	CTN/QTY	WT/100
200370	3ARF	18 × 18	3-5/8	9-3/8	10	250
200470	4ARF	19-1/2 × 19-1/2	4-5/8	10-5/8	10	260
210570	5ARF	20-3/4 × 20-3/4	5-5/8	12	10	300
210670	6ARF	21-3/8 × 21-3/8	6-5/8	13-3/8	10	340
220770	7ARF	23 × 23	7-5/8	15	5	400
220870	8ARF	24-3/8 × 24-3/8	8-5/8	16-3/8	5	580

NOTE: All seams are soldered.



We have custom capabilities to manufacture any sizes you may require. Contact factory for special sizes and configurations not listed.

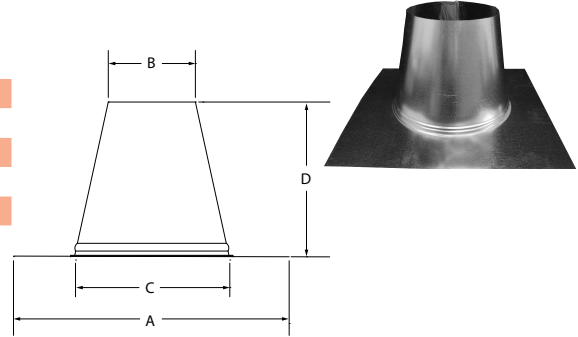
— E.&O.E. — Subject to Change Without Notice — May Not Be Available At All Locations —



MODEL E/R TYPE B GAS VENT 3" – 8"

FLASHINGS — FLAT — FF

ITEM #	MODEL #	SIZE (")	A (")	B (")	C (")	D (")	CTN/QTY	WT/100
200309	3FF	3	16 × 16	3-5/8	8	10	10	300
200409	4FF	4	16 × 16	4-5/8	8	10	10	320
210509	5FF	5	18 × 18	5-5/8	10	10	10	360
210609	6FF	6	18 × 18	6-5/8	10	10	10	360
220709	7FF	7	20 × 20	7-5/8	12	10	5	420
220809	8FF	8	20 × 20	8-5/8	12	10	5	420

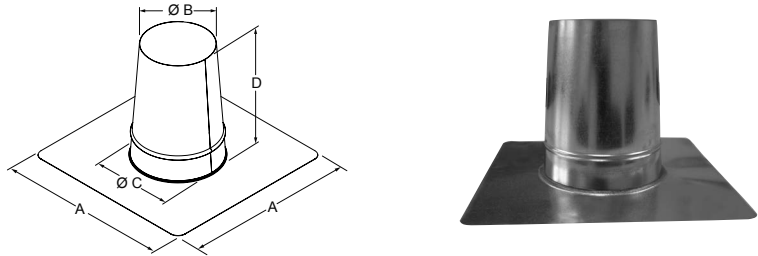


NOTE: All seams are soldered.

FLASHINGS — FLAT — HOT WELDED

ITEM #	DESCRIPTION	SIZE (")	A (")	B (")	C (")	D (")	CTN/QTY	WT/100
131362	4" Hot Weld Flat Flashing B-Vent	4	14	4-5/8	6	10	*	206
131364	5" Hot Weld Flat Flashing B-Vent	5	15	5-5/8	7	10	*	237
131366	6" Hot Weld Flat Flashing B-Vent	6	16	6-5/8	8	10	*	268
131368	7" Hot Weld Flat Flashing B-Vent	7	17	7-5/8	9	10	*	300
131370	8" Hot Weld Flat Flashing B-Vent	8	18	8-5/8	10	10	*	332

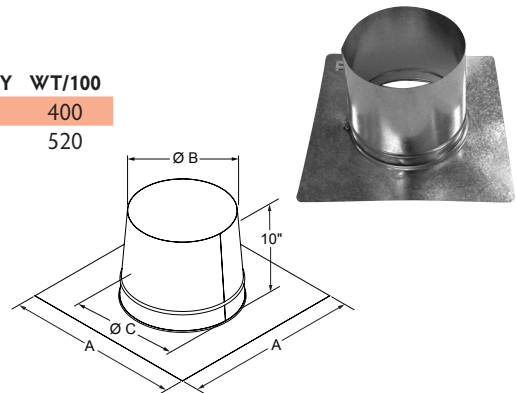
*Product shipped individually.



FLASHINGS — FLAT — PIPE SIZE — HOT WELDED

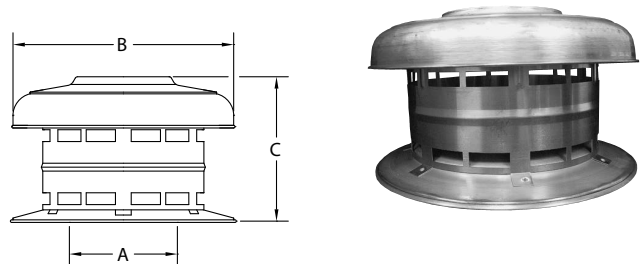
ITEM #	DESCRIPTION	SIZE (")	A (")	B (")	C (")	CTN/QTY	WT/100
131382	10" H/W Flat Flashing Pipe Size	10	20	10-1/2	12	*	400
131383	12" H/W Flat Flashing Pipe Size	12	22	12-1/2	14	*	520

* Product shipped individually.



RAIN CAPS — RC

ITEM #	MODEL #	A (")	B (")	C (")	CTN/QTY	WT/100
200306	3RC	3	8	6-1/8	10	40
200406	4RC	4	9-3/8	6-1/8	16	90
210506	5RC	5	10-3/4	7	16	100
210606	6RC	6	12-3/8	7	8	120
220706	7RC	7	14	7-3/4	8	140
220806	8RC	8	15-5/8	7-3/4	6	160



We have custom capabilities to manufacture any sizes you may require. Contact factory for special sizes and configurations not listed.

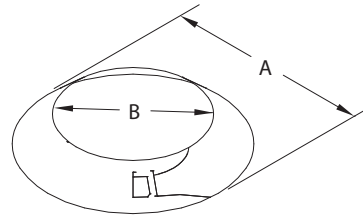
– E.&O.E. – Subject to Change Without Notice – May Not Be Available At All Locations –



MODEL E/R TYPE B GAS VENT 3" - 8"

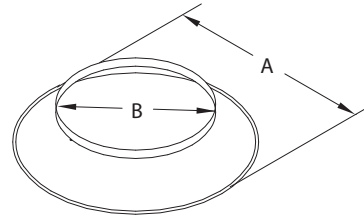
STORM COLLARS — SC

ITEM #	MODEL #	SIZE (")	A (")	B (")	PCS/BNDL	WT/100
200307	3SC	3	6-1/4	3-1/2	10	20
200407	4SC	4	7-1/4	4-1/2	10	26
210507	5SC	5	8-1/4	5-1/2	10	27
210607	6SC	6	9-1/4	6-1/2	10	30
220707	7SC	7	10-1/4	7-1/2	8	34
220807	8SC	8	11-1/4	8-1/2	8	38



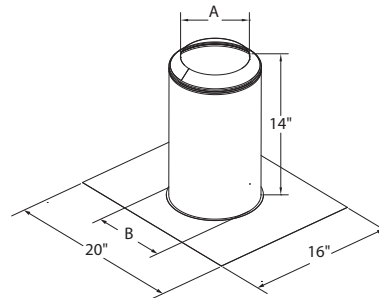
STORM COLLARS — SPUN — SSC

ITEM #	MODEL #	SIZE (")	A (")	B (")	CTN/QTY	WT/100
200390	3SSC	3	6-3/4	3-1/2	50	14
200490	4SSC	4	7-3/4	4-1/2	50	18
210590	5SSC	5	8-3/4	5-1/2	50	22
210690	6SSC	6	9-3/4	6-1/2	50	26
220790	7SSC	7	10-3/4	7-1/2	50	36
220890	8SSC	8	11-3/4	8-1/2	50	44



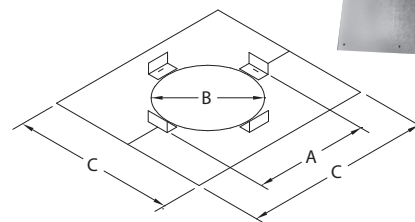
ATTIC INSULATION SHIELDS — AIS

ITEM #	MODEL #	A (")	B (")	CTN/QTY	WT/100
200316	3AIS	3-5/8	5-3/4	1	335
200416	4AIS	4-5/8	6-3/4	1	365
210516	5AIS	5-5/8	7-3/4	1	395
210616	6AIS	6-5/8	8-3/4	1	425
220716	7AIS	7-5/8	9-3/4	1	455
220816	8AIS	8-5/8	10-3/4	1	485



FIRESTOP SPACERS — FS

ITEM #	MODEL #	SIZE (")	A (")	B (")	C (")	CTN/QTY	WT/100
200310	3FS	3	5-5/8 × 5-5/8	3-5/8	13	20	100
200410	4FS	4	6-5/8 × 6-5/8	4-5/8	13	20	100
210510	5FS	5	7-5/8 × 7-5/8	5-5/8	13	20	95
210610	6FS	6	8-5/8 × 8-5/8	6-5/8	13	20	90
220710	7FS	7	9-5/8 × 9-5/8	7-5/8	13	16	75
220810	8FS	8	10-5/8 × 10-5/8	8-5/8	13	5	75



NOTE: Firestop Spacers are required above and below each floor and ceiling level penetrated by the vent.

We have custom capabilities to manufacture any sizes you may require. Contact factory for special sizes and configurations not listed.

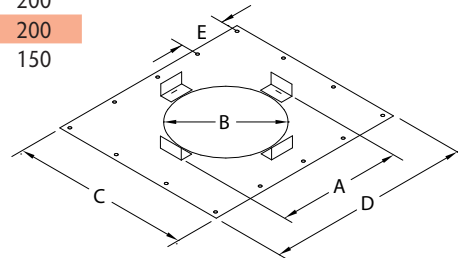
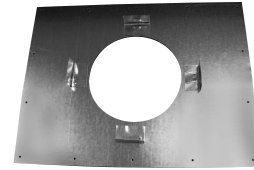
— E.&O.E. — Subject to Change Without Notice — May Not Be Available At All Locations —



MODEL E/R TYPE B GAS VENT 3" – 8"

SUPPORT PLATES — SP

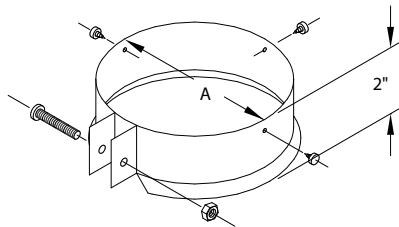
ITEM #	MODEL #	SIZE (")	A (")	B (")	C (")	D (")	E (")	CTN/QTY	WT/100
200317	3SP	3	5-5/8 × 5-5/8	3-5/8	13	17	4	10	210
200417	4SP	4	6-5/8 × 6-5/8	4-5/8	13	17	4	10	200
210517	5SP	5	7-5/8 × 7-5/8	5-5/8	13	17	4	10	200
210617	6SP	6	8-5/8 × 8-5/8	6-5/8	13	17	4	10	200
220717	7SP	7	9-5/8 × 9-5/8	7-5/8	13	17	4	8	200
220817	8SP	8	10-5/8 × 10-5/8	8-5/8	13	17	4	8	150



NOTE: Support Plate and Support Ring required for every 30 feet of vent height.

SUPPORT RINGS — SR

ITEM #	MODEL #	SIZE (")	A (")	CTN/QTY	WT/100
200318	3SR	3	3-1/2	20	25
200418	4SR	4	4-1/2	20	30
210518	5SR	5	5-1/2	20	40
210618	6SR	6	6-1/2	20	50
220718	7SR	7	7-1/2	16	50
220818	8SR	8	8-1/2	16	50



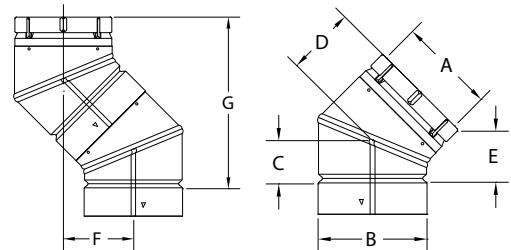
NOTE: Support Plate and Support Ring required for every 30 feet of vent height.
Includes sheet metal Screws and Assembly Bolt for installation.

ELBOWS — 45 DEGREE — 45EL — 2 PIECE

ITEM #	MODEL #	A (")	B (")	C (")	D (")	E (")	F (")	G (")	CTN/QTY	WT/100
220713	745EL	7	7-1/2	3	4-1/4	3-3/8	5	11-7/8	12	175
220813	845EL	8	8-1/2	3-1/4	4-1/2	3-3/8	5-1/2	12-5/8	12	200



NOTE: Adjustable 0 deg. to 45 deg. Two piece construction. Dimension G is installed length.



We have custom capabilities to manufacture any sizes you may require. Contact factory for special sizes and configurations not listed.

–E.&O.E. – Subject to Change Without Notice – May Not Be Available At All Locations –

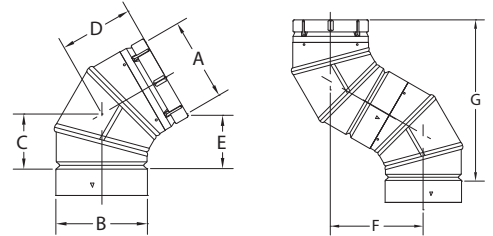


MODEL E/R TYPE B GAS VENT 3" - 8"

ELBOWS — 45 DEGREE — 45EL — 3 PIECE

ITEM #	MODEL #	A (")	B (")	C (")	D (")	E (")	F (")	G (")	CTN/QTY	WT/100
200313	345EL	3	3-1/2	3	3-7/8	3-1/8	6-1/4	9-5/8	12	65
200413	445EL	4	4-1/2	3	4-1/4	3-1/8	6-1/4	10-3/4	10	100
210513	545EL	5	5-1/2	3-1/4	4-5/8	3-1/4	6-3/4	11-3/4	10	100
210613	645EL	6	6-1/2	3-1/2	5	3-1/4	7-3/8	12-1/2	10	125

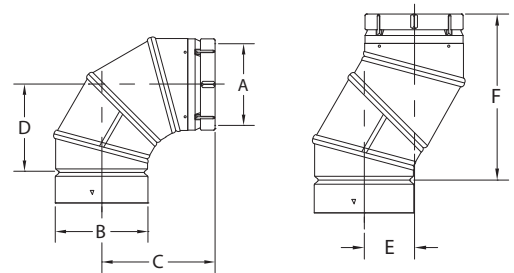
NOTE: Adjustable 0 deg. to 60 deg. Three piece construction. Dimension G is installed length.



ELBOWS — 90 DEGREE — 90EL

ITEM #	MODEL #	A (")	B (")	C (")	D (")	E (")	F (")	CTN/QTY	WT/100
200314	390EL	3	3-1/2	5-1/4	4-1/4	2	7-3/8	8	100
200414	490EL	4	4-1/2	6	4-5/8	2-1/4	8-5/8	10	125
210514	590EL	5	5-1/2	6-5/8	5	2-1/2	9-3/8	8	175
210614	690EL	6	6-1/2	6-5/8	5	2-3/4	9-3/4	8	200
220714	790EL	7	7-1/2	7-1/2	7-1/2	3	11-1/4	8	275
220814	890EL	8	8-1/2	8-1/4	6-5/8	3	11-3/4	6	300

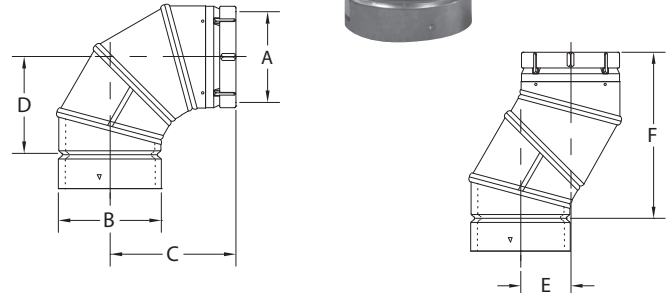
NOTE: Adjustable 0 deg. to 90 deg. Dimension F is installed length.



ELBOWS — DIRECT CONNECT — 90 DEGREE

ITEM #	MODEL #	A (")	B (")	C (")	D (")	E (")	F (")	CTN/QTY	WT/100
200380	3DCE	3	3-1/2	5-1/4	4-1/4	2	7-3/8	8	100
200480	4DCE	4	4-1/2	6	4-5/8	2-1/4	8-5/8	10	125

NOTE: Inner Liner flared to directly connect to appliance.



We have custom capabilities to manufacture any sizes you may require. Contact factory for special sizes and configurations not listed.

-E.&O.E. - Subject to Change Without Notice - May Not Be Available At All Locations -

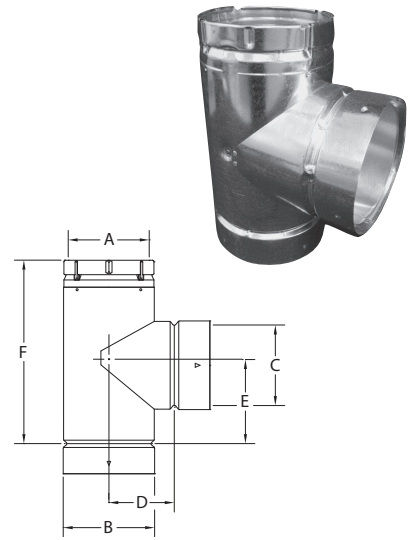


MODEL E/R TYPE B GAS VENT 3" - 8"

TEES — DOUBLE WALL — DWT

ITEM #	MODEL #	A (")	B (")	C (")	D (")	E (")	F (")	CTN/QTY	WT/100
200312	3DWT	3	3-1/2	3	3	2-3/4	7-1/8	6	100
200412	4DWT	4	4-1/2	4	3-1/2	3-1/4	8-1/8	6	200
210512	5DWT	5	5-1/2	5	4	3-3/4	9-1/8	8	200
210545	5DWT3	5	5-1/2	3	4	2-3/4	7-1/8	8	200
210544	5DWT4	5	5-1/2	4	4	3-1/4	8-1/8	6	200
210612	6DWT	6	6-1/2	6	4-1/2	4-1/4	10-1/8	6	250
210642	6DWT63	6	6-1/2	3	4-1/2	2-3/4	7-1/8	6	250
210644	6DWT4	6	6-1/2	4	4-1/2	3-1/4	8-1/8	6	250
210645	6DWT5	6	6-1/2	5	4-1/2	3-3/4	9-1/8	6	275
220712	7DWT	7	7-1/2	7	5	4-3/4	11-1/8	6	300
220774	7DWT4	7	7-1/2	4	5	3-1/4	8-1/8	6	300
220743	7DWT5	7	7-1/2	5	5	3-3/4	9-1/8	6	260
220742	7DWT6	7	7-1/2	6	5	4-1/4	10-1/8	6	300
220812	8DWT	8	8-1/2	8	5-1/2	5-1/4	12-1/8	6	400

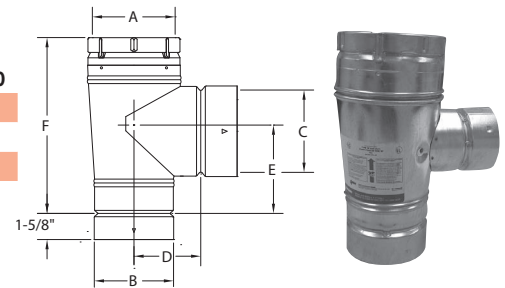
NOTE: Dimension F is installed length. Tee Cap not included.



TEES — DOUBLE WALL — DWT TAPER

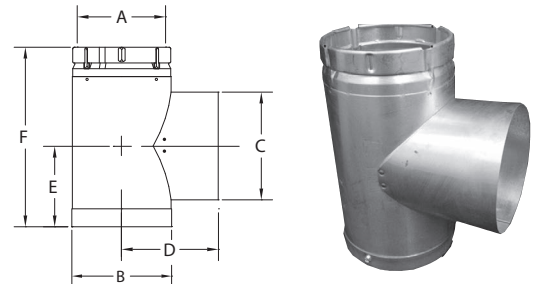
ITEM #	MODEL #	A (")	B (")	C (")	D (")	E (")	F (")	CTN/QTY	WT/100
210542	5DWT43	5	4-1/2	3	4-1/4	4-1/2	9-7/8	8	190
210543	5DWT44	5	4-1/2	4	4-1/4	4-1/2	9-7/8	8	190
210643	6DWT54	6	5-1/2	4	4-1/4	5	11	8	215

NOTE: Dimension F is installed length.



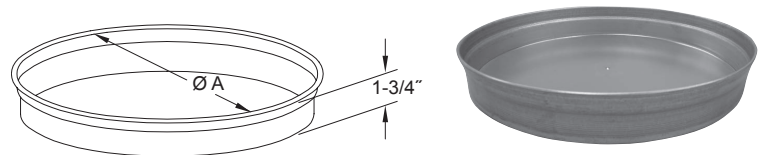
TEES — SINGLE WALL — GALVANIZED — SWT

ITEM #	MODEL #	A (")	B (")	C (")	D (")	E (")	F (")	CTN/QTY	WT/100
200311	3SWT	3	3-1/2	3	4	6	12	10	110
200411	4SWT	4	4-1/2	4	5	6	12	10	150



TEE CAPS — SPUN — TC

ITEM #	MODEL #	A (")	CTN/QTY	WT/100
570326	3TC	3	20	20
570426	4TC	4	20	26
570526	5TC	5	20	35
570626	6TC	6	20	46
570726	7TC	7	20	60
570826	8TC	8	20	72



We have custom capabilities to manufacture any sizes you may require. Contact factory for special sizes and configurations not listed.

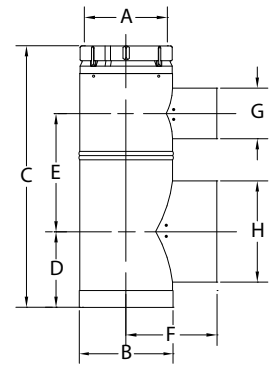
- E.&O.E. - Subject to Change Without Notice - May Not Be Available At All Locations -



MODEL E/R TYPE B GAS VENT 3" - 8"

TEES — SINGLE WALL BASE — GALVANIZED — SWBT

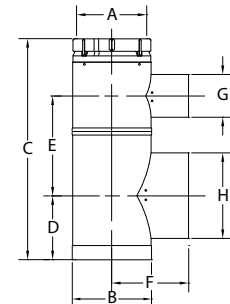
ITEM #	MODEL #	A (")	B (")	C (")	D (")	E (")	F (")	G (")	H (")	CTN/QTY	WT/100
200422	4SWT43	4	4-1/2	15-3/8	4-1/4	7	5	3	4	10	180
210522	5SWT43	5	5-1/2	15-3/8	4-1/4	7	5-1/2	3	4	10	230
210524	5SWT44	5	5-1/2	15-3/8	4-1/4	7	5-1/2	4	4	10	200
210511	5SWT53	5	5-1/2	15-3/8	4-1/4	7	5-1/2	3	5	10	240
210523	5SWT54	5	5-1/2	15-3/8	4-1/4	7	5-1/2	4	5	10	240
210525	5SWT55	5	5-1/2	15-3/8	4-1/4	7	5-1/2	5	5	10	240
210625	6SWT44	6	6-1/2	15-3/8	4-1/4	7	6	4	4	10	230
210622	6SWT53	6	6-1/2	15-3/8	4-1/4	7	6	3	5	10	250
210624	6SWT54	6	6-1/2	15-3/8	4-1/4	7	6	4	5	10	275
210621	6SWT55	6	6-1/2	15-3/8	4-1/4	7	6	5	5	10	251
210611	6SWT63	6	6-1/2	15-3/8	4-1/4	7	6	3	6	10	250
210623	6SWT64	6	6-1/2	15-3/8	4-1/4	7	6	4	6	10	250
210620	6SWT65	6	6-1/2	15-3/8	4-1/4	7	6	5	6	10	250
210627	6SWT66	6	6-1/2	15-3/8	4-1/4	7	6	6	6	10	250
220722	7SWT53	7	7-1/2	15-3/8	4-1/4	7	6-1/2	3	5	10	300
220720	7SWT55	7	7-1/2	15-3/8	4-1/4	7	6-1/2	5	5	10	300
220723	7SWT63	7	7-1/2	15-3/8	4-1/4	7	6-1/2	3	6	10	300
220725	7SWT64	7	7-1/2	15-3/8	4-1/4	7	6-1/2	4	6	10	300
220711	7SWT73	7	7-1/2	15-3/8	4-1/4	7	6-1/2	3	7	10	300
220724	7SWT74	7	7-1/2	15-3/8	4-1/4	7	6-1/2	4	7	10	300
220721	7SWT75	7	7-1/2	15-3/8	4-1/4	7	6-1/2	5	7	10	300
220811	8SWT83	8	8-1/2	17-5/8	6	7-1/2	7	3	8	8	375
220824	8SWT84	8	8-1/2	17-5/8	6	7-1/2	7	4	8	8	375



NOTE: Swivel Joint allows a full 360 deg. Rotation between top and bottom of tee. Factory installed Tee Cap attached to bottom of Tee.

TEES — SINGLE WALL BASE — ALUMINUM — SWBTA

ITEM #	MODEL #	A (")	B (")	C (")	D (")	E (")	F (")	G (")	H (")	CTN/QTY	WT/100
210584	5SWT43A	5	5-1/2	15-3/8	4-1/4	7	5-1/2	3	4	10	160
210583	5SWT44A	5	5-1/2	15-3/8	4-1/4	7	5-1/2	4	4	10	160
210582	5SWT53A	5	5-1/2	15-3/8	4-1/4	7	5-1/2	3	5	10	104
210581	5SWT54A	5	5-1/2	15-3/8	4-1/4	7	5-1/2	4	5	10	160
210687	6SWT44A	6	6-1/2	15-3/8	4-1/4	7	6	4	4	10	270
210686	6SWT53A	6	6-1/2	15-3/8	4-1/4	7	6	3	5	10	170
210685	6SWT54A	6	6-1/2	15-3/8	4-1/4	7	6	4	5	10	170
210683	6SWT63A	6	6-1/2	15-3/8	4-1/4	7	6	3	6	10	108
210682	6SWT64A	6	6-1/2	15-3/8	4-1/4	7	6	4	6	10	170
220786	7SWT64A	7	7-1/2	15-3/8	4-1/4	7	6-1/2	4	6	10	200
220783	7SWT74A	7	7-1/2	15-3/8	4-1/4	7	6-1/2	4	7	10	200



We have custom capabilities to manufacture any sizes you may require. Contact factory for special sizes and configurations not listed.

-E.&O.E. - Subject to Change Without Notice - May Not Be Available At All Locations -

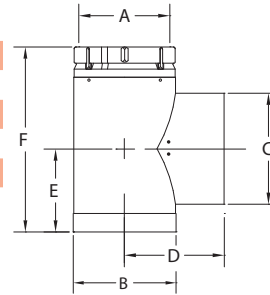


MODEL E/R TYPE B GAS VENT 3" - 8"

TEES — SINGLE WALL — ALUMINUM — SWTA

ITEM #	MODEL #	A (")	B (")	C (")	D (")	E (")	F (")	CTN/QTY	WT/100
200330	3SW/TA	3	3-1/2	3	3-1/2	5	10	10	40
200430	4SW/TA	4	4-1/2	4	4-3/4	5	10	10	50
210530	5SW/TA	5	5-1/2	5	5-1/2	5	10	10	100
210630	6SW/TA	6	6-1/2	6	5-3/4	5-1/2	11	10	100
220730	7SW/TA	7	7-1/2	7	6-1/4	6	12	10	130
220830	8SW/TA	8	8-1/2	8	7	6-1/2	13	8	175

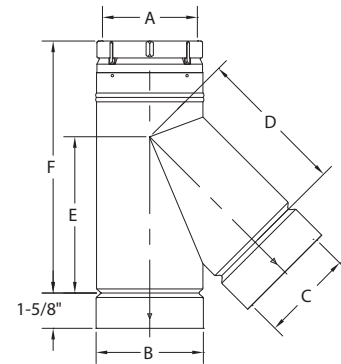
NOTE: Factory Tee Cap attached to bottom of Tee.



WYES — SWIVEL — DOUBLE WALL — DWW

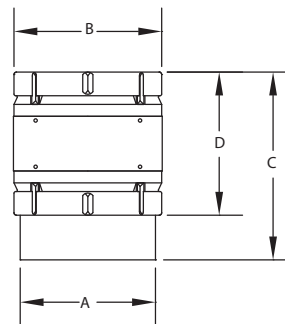
ITEM #	MODEL #	A (")	B (")	C (")	D (")	E (")	F (")	CTN/QTY	WT/100
200434	4DW/W33	4	3-1/2	3	4-11/16	6-3/4	11-1/8	6	200
200433	4DW/W43	4	4-1/2	3	4-11/16	6-3/4	11-1/8	6	200
200431	4DW/W44	4	4-1/2	4	5 3/16	6-3/4	11-1/8	6	200
210536	5DW/W33	5	3-1/2	3	5-3/8	7-1/2	11-11/16	6	225
210535	5DW/W43	5	4-1/2	3	5-3/8	7-1/2	11-11/16	6	225
210534	5DW/W44	5	4-1/2	4	5-7/8	7-1/2	11-11/16	6	225
210533	5DW/W53	5	5-1/2	3	5-3/8	7-1/2	11-11/16	6	225
210532	5DW/W54	5	5-1/2	4	5-7/8	7-1/2	11-11/16	6	225
210531	5DW/W55	5	5-1/2	5	6-3/8	7-1/2	12-3/16	6	225
210638	6DW/W44	6	4-1/2	4	6-5/8	7-1/2	10-15/16	6	275
210637	6DW/W53	6	5-1/2	3	6-1/8	7-1/2	10-15/16	6	275
210636	6DW/W54	6	5-1/2	4	6-5/8	7-1/2	10-15/16	6	275
210634	6DW/W63	6	6-1/2	3	6-1/8	7-1/2	10-15/16	4	275
210633	6DW/W64	6	6-1/2	4	6-5/8	7-1/2	10-15/16	6	275
210632	6DW/W65	6	6-1/2	5	7-1/8	8-1/4	12-3/8	4	275
210631	6DW/W66	6	6-1/2	6	7-5/8	9	13-7/8	4	275
220734	7DW/W74	7	7-1/2	4	9	9	12-7/16	6	270
220733	7DW/W75	7	7-1/2	5	9-1/2	9	12-7/16	6	280
220732	7DW/W76	7	7-1/2	6	8-3/8	9-1/2	13-7/8	4	290
220731	7DW/W77	7	7-1/2	7	8-7/8	10	14-15/16	4	350
220831	8DW/W88	8	8-1/2	8	9-7/8	11-1/2	17-1/8	4	450

NOTE: Stub dimension B and C may vary according to customer requirements. If an Increasing Wye is required, use a standard Wye and an Increaser.



DRAFT HOOD CONNECTORS — DHC

ITEM #	MODEL #	A (")	B (")	C (")	D (")	CTN/QTY	WT/100
200315	3DHC	3	3-1/2	8-1/2	5-1/2	10	40
200415	4DHC	4	4-1/2	8-1/2	5-1/2	10	50
210515	5DHC	5	5-1/2	8-1/2	5-1/2	10	70
210615	6DHC	6	6-1/2	8-1/2	5-1/2	10	80
220715	7DHC	7	7-1/2	8-1/2	5-1/2	8	100
220815	8DHC	8	8-1/2	8-1/2	5-1/2	8	100



We have custom capabilities to manufacture any sizes you may require. Contact factory for special sizes and configurations not listed.

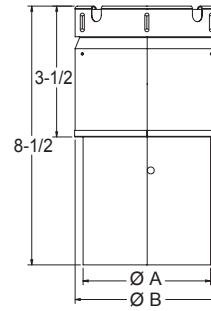
-E.&O.E. - Subject to Change Without Notice - May Not Be Available At All Locations -



MODEL E/R TYPE B GAS VENT 3" – 8"

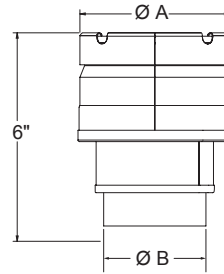
DRAFT HOOD CONNECTORS WITH HEM — DHCH

ITEM #	MODEL #	A (")	B (")	CTN/QTY	WT/100
200372	3DHCH	3	3-1/2	10	40
200472	4DHCH	4	4-1/2	10	45
210572	5DHCH	5	5-1/2	10	50
210672	6DHCH	6	6-1/2	10	55
220772	7DHCH	7	7-1/2	8	60
220872	8DHCH	8	8-1/2	8	65



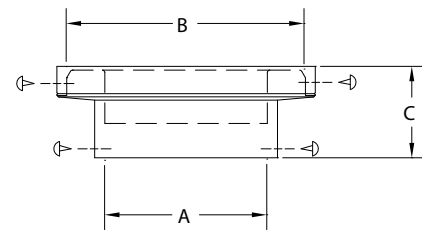
DRAFT HOOD CONNECTOR INCREASER — DHCI

ITEM #	MODEL #	A (")	B (")	CTN/QTY	WT/100
200471	3DHCI	4-1/2	3.10	25	55



INCREASERS — DOUBLE WALL — INC

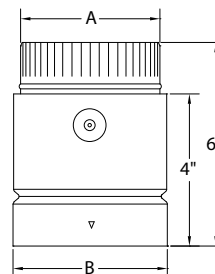
ITEM #	MODEL #	A (")	B (")	C (")	CTN/QTY	WT/100
200358	304INC	3	4	2-1/4	10	50
200359	305INC	3	5	2-1/4	10	60
200458	405INC	4	5	2-1/4	10	70
200459	406INC	4	6	2-1/4	10	85
200460	407INC	4	7	2-1/4	10	72
200461	408INC	4	8	2-1/4	10	80
210558	506INC	5	6	2-1/4	10	90
210559	507INC	5	7	2-1/4	10	108
210561	508INC	5	8	2-1/4	10	80
210658	607INC	6	7	2-1/4	10	110
210659	608INC	6	8	2-1/4	10	118
210660	610INC	6	10	2-1/4	10	100
220758	708INC	7	8	2-1/4	10	125
220858	810INC	8	10	2-1/4	10	120



NOTE: Includes Sheet Metal Screws for installation.

B-VENT TO SINGLE WALL CONNECTORS — BSW

ITEM #	MODEL #	A (")	B (")	CTN/QTY	WT/100
200363	3BSW	3	3-1/2	10	40
200463	4BSW	4	4-1/2	10	50
210563	5BSW	5	5-1/2	10	70
210663	6BSW	6	6-1/2	10	90



We have custom capabilities to manufacture any sizes you may require. Contact factory for special sizes and configurations not listed.

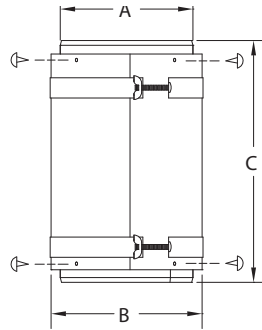
– E.&O.E. – Subject to Change Without Notice – May Not Be Available At All Locations –



MODEL E/R TYPE B GAS VENT 3" - 8"

B-VENT TO FLEX CONNECTORS — BF

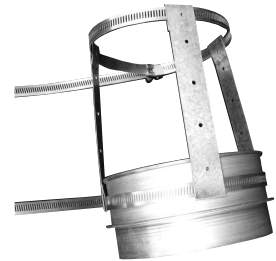
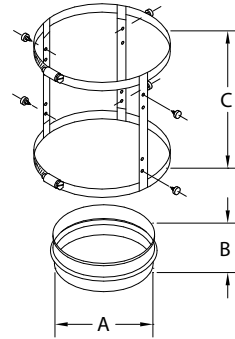
ITEM #	MODEL #	A (")	B (")	C (")	CTN/QTY	WT/100
200362	3BF	3	3-5/8	9	10	120
200462	4BF	4	4-5/8	9	10	140
210562	5BF	5	5-5/8	9	10	160
210662	6BF	6	6-5/8	9	10	180
220762	7BF	7	7-5/8	9	5	280
220862	8BF	8	8-5/8	9	5	320



NOTE: Includes Sheet Metal Screws for installation.

B-VENT TO B-VENT ADAPTERS — BA

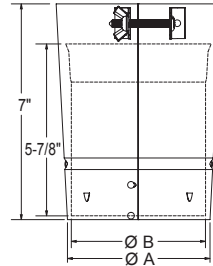
ITEM #	MODEL #	A (")	B (")	C (")	CTN/QTY	WT/100
200364	3BA	3	2-3/4	6-1/2	10	50
200464	4BA	4	3	6-1/2	10	60
210564	5BA	5	3	6-1/2	10	70
210664	6BA	6	3	6-1/2	10	80
220764	7BA	7	3	6-1/2	10	90
220864	8BA	8	3	6-1/2	10	100



NOTE: Includes Sheet Metal Screws for installation.

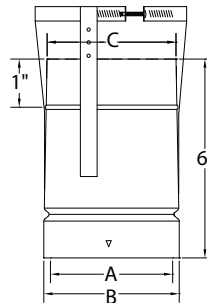
ADAPTERS — FEMALE — B-VENT — FMSA

ITEM #	MODEL #	A (")	B (")	CTN/QTY	WT/100
200373	3FMSA	3-5/8	3	25	65
200473	4FMSA	4-5/8	4	25	70
210573	5FMSA	5-5/8	5	10	75
210673	6FMSA	6-5/8	6	10	80
220773	7FMSA	7-5/8	7	8	85
220873	8FMSA	8-5/8	8	8	90



ADAPTERS — FEMALE — B-VENT — FMA

ITEM #	MODEL #	A (")	B (")	C (")	CTN/QTY	WT/100
200365	3FMA	3	3-5/8	3-3/8	10	70
200465	4FMA	4	4-5/8	4-3/8	10	85
210565	5FMA	5	5-5/8	5-3/8	10	100
210665	6FMA	6	6-5/8	6-3/8	10	115
220765	7FMA	7	7-5/8	7-3/8	8	100
210865	8FMA	8	8-5/8	8-3/8	8	110



We have custom capabilities to manufacture any sizes you may require. Contact factory for special sizes and configurations not listed.

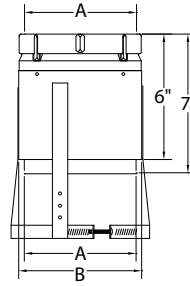
-E.&O.E. - Subject to Change Without Notice - May Not Be Available At All Locations -



MODEL E/R TYPE B GAS VENT 3" – 8"

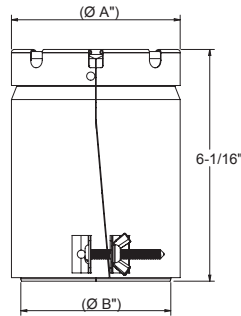
ADAPTERS — MALE — B-VENT — MA

ITEM #	MODEL #	A (")	B (")	CTN/QTY	WT/100
200366	3MA	3	3-5/8	10	70
200466	4MA	4	4-5/8	10	85
210566	5MA	5	5-5/8	10	100
210666	6MA	6	6-5/8	10	115



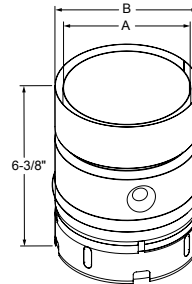
ADAPTERS — MALE — B-VENT — MSA

ITEM #	MODEL #	A (")	B (")	CTN/QTY	WT/100
200375	3MSA	3-5/8	3	25	65
200475	4MSA	4-5/8	4	25	70
210575	5MSA	5-5/8	5	10	75
210675	6MSA	6-5/8	6	10	80
220775	7MSA	7-5/8	7	8	85
220875	8MSA	8-5/8	8	8	90



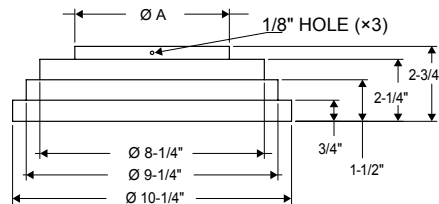
ADAPTER — B-VENT — HCA

ITEM #	MODEL #	A (")	B (")	CTN/QTY	WT/100
200477	4HCA	4	4-1/2	25	70



ADAPTERS — A-VENT TO B-VENT

ITEM #	SIZE (")	A (")	CTN/QTY	WT/100
139074	4	4-5/8	50	110
139075	5	5-5/8	50	110
139076	6	6-5/8	50	110



BUTYL GASKET (SEALANT TAPE)

ITEM #	DESCRIPTION	CTN/QTY	WT/100
704930	3/4" x 3/16" x 25'	5	250



We have custom capabilities to manufacture any sizes you may require. Contact factory for special sizes and configurations not listed.

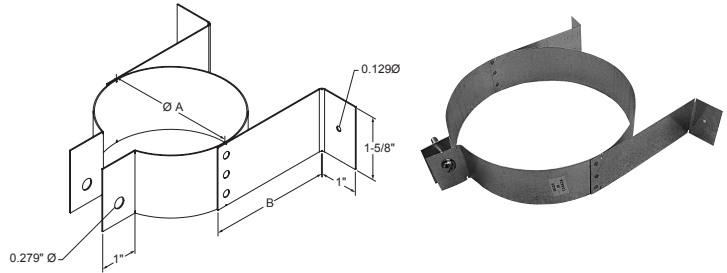
– E.&O.E. – Subject to Change Without Notice – May Not Be Available At All Locations –



MODEL E/R TYPE B GAS VENT 3" - 8"

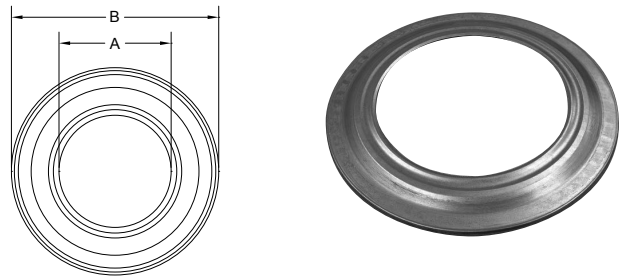
WALL BANDS — WB

ITEM #	MODEL #	A (")	B (")	CTN/QTY	WT/100
200319	3WB	3-1/2	3-1/8	20	35
200419	4WB	4-5/16	3-5/8	20	33
210519	5WB	5-5/16	4-1/8	20	38
210619	6WB	6-5/16	4-5/8	20	44
220719	7WB	7-1/2	4-1/4	20	51
220819	8WB	8-1/2	5-3/4	20	58



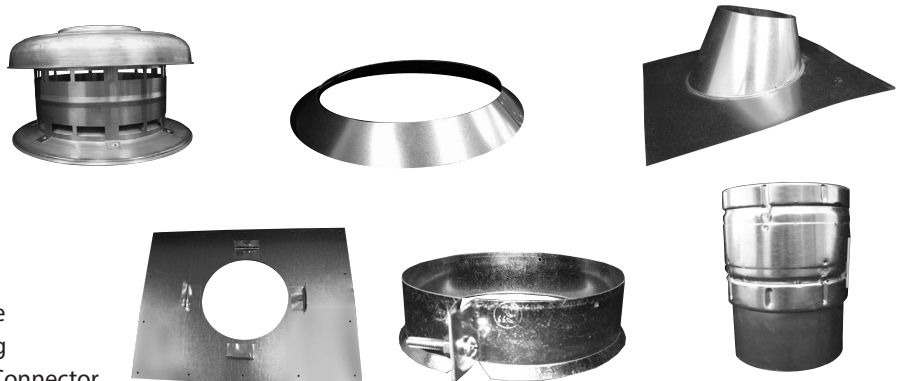
FINISHING COLLARS — FC

ITEM #	MODEL #	SIZE (")	A (")	B (")	CTN/QTY	WT/100
200389	3FC	3	3-5/8	8-1/2	50	30
200489	4FC	4	4-5/8	9-1/2	50	34
210589	5FC	5	5-5/8	10-1/2	50	40
210689	6FC	6	6-5/8	11-1/2	50	44
220789	7FC	7	7-5/8	12-1/2	50	50
220889	8FC	8	8-5/8	13-1/2	50	56



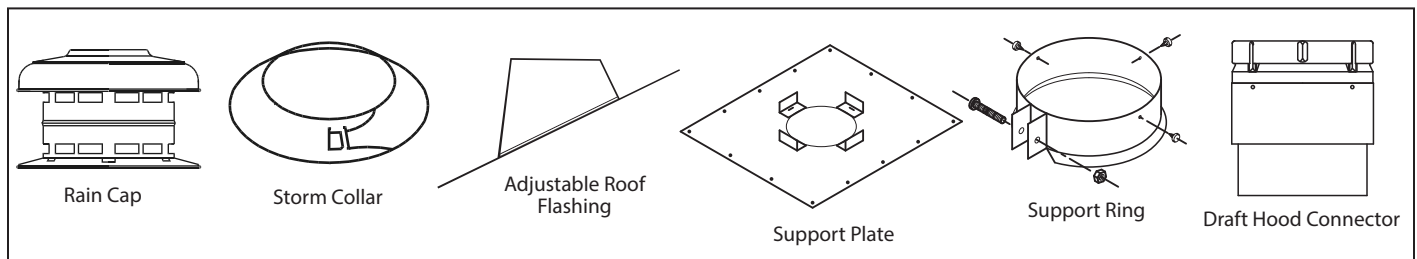
TYPE B GAS VENT KITS WITH DRAFT HOOD CONNECTOR

ITEM #	MODEL #	CTN/QTY	WT/100
200346	3GVK	1	500
200446	4GVK	1	600
210546	5GVK	1	700
210646	6GVK	1	800
220746	7GVK	1	900
220846	8GVK	1	1000



Kit includes:

- 1 – Rain Cap
- 1 – Storm Collar
- 1 – Adjustable Flashing
- 1 – Support Plate
- 1 – Support Ring
- 1 – Draft Hood Connector



We have custom capabilities to manufacture any sizes you may require. Contact factory for special sizes and configurations not listed.

– E.&O.E. – Subject to Change Without Notice – May Not Be Available At All Locations –



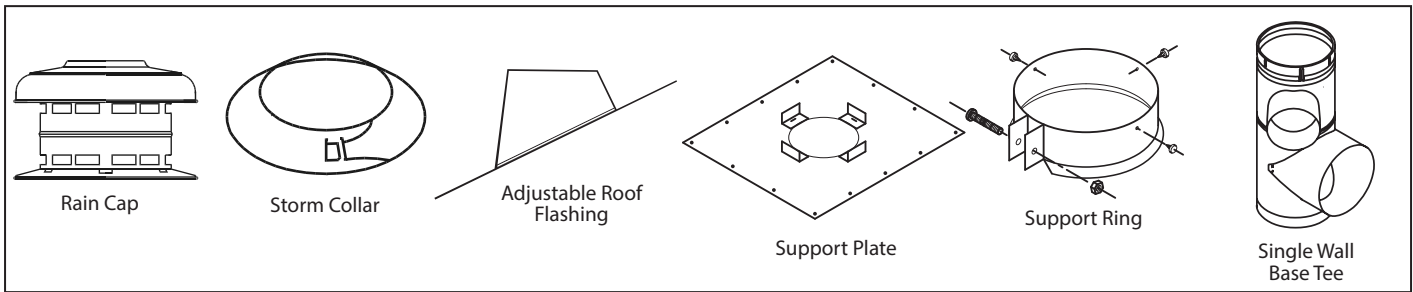
MODEL E/R TYPE B GAS VENT 3" - 8"

TYPE B GAS VENT KITS WITH SINGLE WALL BASE TEE

ITEM #	MODEL #	CTN/QTY	WT/100
200347	3GVK-T	1	570
200447	4GVK-T	1	640
210547	5GVK-T	1	770
210647	6GVK-T	1	860
220747	7GVK-T	1	980
220847	8GVK-T	1	1080

Kit includes:

- 1 – Rain Cap
- 1 – Storm Collar
- 1 – Adjustable Flashing
- 1 – Support Plate
- 1 – Support Ring
- 1 – Single Wall Base Tee

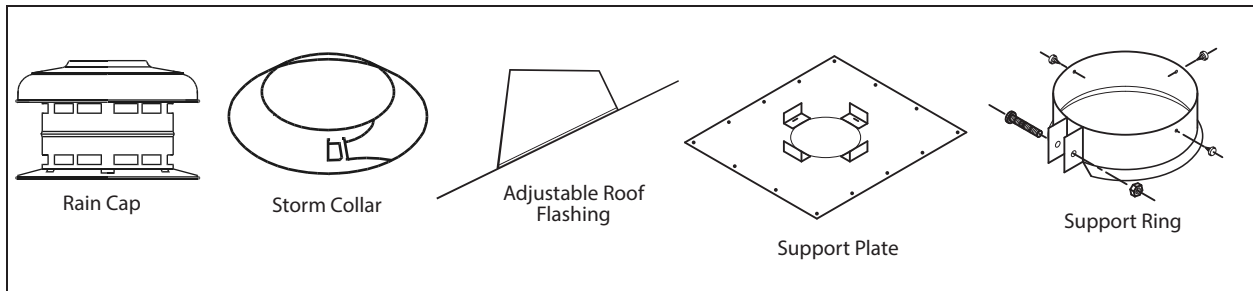
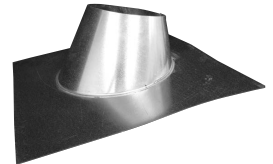


TYPE B GAS VENT KITS LESS DRAFT HOOD CONNECTOR

ITEM #	MODEL #	CTN/QTY	WT/100
200449	4GVK	1	490
210549	5GVK	1	530
210649	6GVK	1	605

Kit includes:

- 1 – Rain Cap
- 1 – Storm Collar
- 1 – Adjustable Flashing
- 1 – Support Plate
- 1 – Support Ring



We have custom capabilities to manufacture any sizes you may require. Contact factory for special sizes and configurations not listed.

– E.&O.E. – Subject to Change Without Notice – May Not Be Available At All Locations –



MODEL E/R TYPE B GAS VENT 3" – 8"

WALL THIMBLES — ROUND PIPE

ITEM #	MODEL	SIZE (")	CTN/QTY	WT/100
614153	3RWT	3	12	133
614154	4RWT	4	12	133
614155	5RWT	5	12	150
614156	6RWT	6	12	167
614157	7RWT	7	*	200
614158	8RWT	8	*	200



*Product shipped individually.

TYPE B OVAL GAS VENT AND FITTINGS

4"

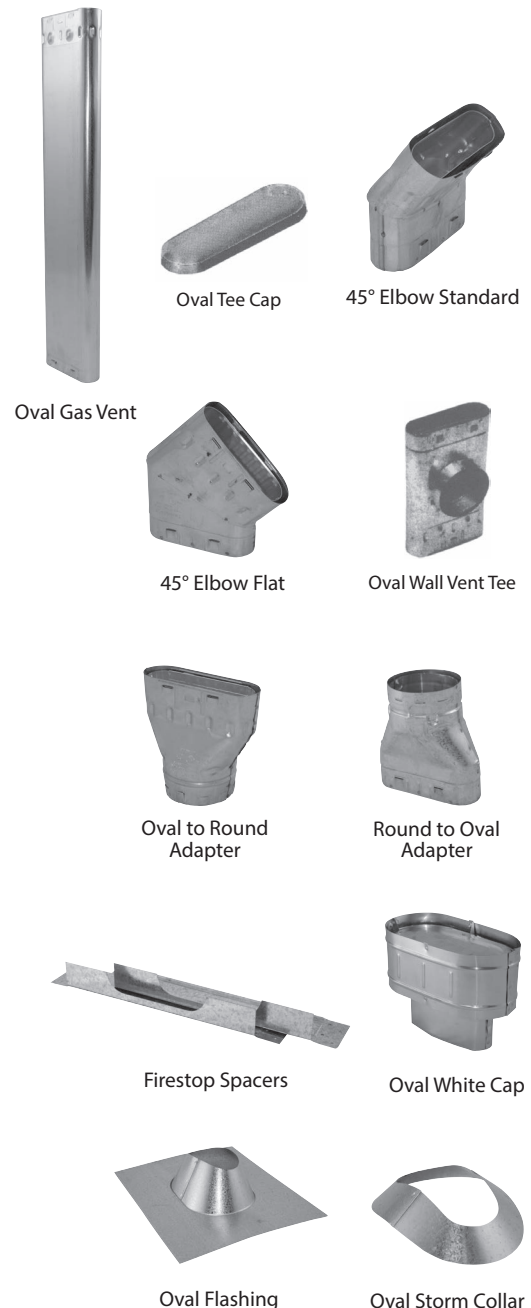
ITEM #	MODEL	DESCRIPTION	CTN/QTY	WT/100
614002	4OV5	4" x 5 ft. Oval Gas Vent	6	717
614004	4OV4	4" x 4 ft. Oval Gas Vent	6	600
614006	4OV3	4" x 3 ft. Oval Gas Vent	6	450
614008	4OV2	4" x 2 ft. Oval Gas Vent	6	300
614010	4OV18	4" x 18" Oval Gas Vent	6	233
614012	4OV12	4" x 12" Oval Gas Vent	6	150
614014	4OV6	4" x 6" Oval Gas Vent	6	83
614016	4OV12A	4" x 12" Oval Gas Vent Adj. Length	6	150
614018	4OVSL	4" x 45° Elbow – Standard	6	133
614020	4OVFL	4" x 45° Elbow – Flat	6	133
614036	4OVWVT	4" Wall Vent Tee	6	–
614022	4OV-RD	4" Oval to Round Adapter	6	100
614024	4RD-OV	4" Round to Oval Adapter	6	100
614031	4OVFS	4" Firestop Spacers 2" x 4"	25 pairs	148
614032	4OVFS6	4" Firestop Spacers 2" x 6"	*	–
614026	4OVAC	4" Oval White Cap	24	–
614030	4OVF	4" Oval Flashing	12	–
614028	4OVSC	4" Oval Storm Collar	24	–

*Product shipped individually.

5"

ITEM #	MODEL	DESCRIPTION	CTN/QTY	WT/100
614102	5OV5	5" x 5 ft. Oval Gas Vent	4	1025
614104	5OV4	5" x 4 ft. Oval Gas Vent	4	850
614106	5OV3	5" x 3 ft. Oval Gas Vent	6	616
614108	5OV2	5" x 2 ft. Oval Gas Vent	6	400
614110	5OV18	5" x 18" Oval Gas Vent	6	333
614112	5OV12	5" x 12" Oval Gas Vent	6	217
614114	5OV6	5" x 6" Oval Gas Vent	6	117
614116	5OV12A	5" x 12" Oval Gas Vent Adj. Length	6	217
614118	5OVSL	5" x 45° Elbow – Standard	6	117
614120	5OVFL	5" x 45° Elbow – Flat	6	167
614134	5OVT	5" Oval Wall Tee	6	–
614122	5OV-RD	5" Oval to Round Adapter	6	167
614124	5RD-OV	5" Round to Oval Adapter	6	167
614132	5OVFS6	5" Firestop Spacers 2" x 6"	*	–
614126	5OVAC	5" Oval White Cap	12	–
614130	5OVF	5" Oval Flashing	12	–
614128	5OVSC	5" Oval Storm Collar	*	–

*Product shipped individually.



– E.&O.E. – Subject to Change Without Notice – May Not Be Available At All Locations –



MODEL E/R TYPE B GAS VENT 3" – 8"

GAS-VENT, Type B LIMITED LIFETIME WARRANTY

This limited LIFETIME warranty is granted by ECCO Manufacturing™ a division of ECCO Heating Products Ltd. 19860 Fraser Highway Langley B.C. Canada V3A 4C9 (Hereinafter referred to as "Warrantor")

LIMITED WARRANTY:

The Warrantor grants a warranty to the initial consumer that the **ECCO GAS VENT** will be free from defects in material and workmanship under normal use for the lifetime of the product. This warranty is not valid if the **ECCO GAS VENT** is not installed in accordance with the recommendations provided in the installation manual and with all the components provided by the manufacturer. This product must be used for the application for which it was designed and intended.

The Warrantor shall not be liable for damages due to normal wear of the **ECCO GAS VENT**, accidents, misuse, lack of reasonable and necessary maintenance, improper installation or unauthorized repairs, alterations or modifications of the product.

The Warrantor's liability with respect to defects shall be limited to the replacement of the **ECCO GAS VENT** chimney lengths considered defective by the Warrantor for the lifetime of the product. The initial consumer shall bear all other costs.

The Warrantor reserves the right to replace **ECCO GAS VENT** chimney lengths with an equivalent product and the replacement must be carried out in accordance with the Warrantor's recommendations.

The warranty is limited to the replacement of defective lengths and does not include any damages resulting from any defect in the product nor does it include expenses sustained in connection with the product, including damages to property.

IN NO EVENT WILL WARRANTOR BE LIABLE TO YOU OR ANY OTHER PERSON FOR ANY DAMAGES, INCLUDING ANY INCIDENTAL OR CONSEQUENTIAL DAMAGES. SOME STATES DO NOT ALLOW THE ABOVE LIMITATION OR EXCLUSION OF INCIDENTAL OR CONSEQUENTIAL DAMAGES, SO THE ABOVE LIMITATIONS OR EXCLUSIONS MAY NOT APPLY TO YOU.

The warranty is only valid for an initial consumer who buys ECCO GAS VENT lengths and may not be assigned.

EXCEPT AS EXPRESSLY SET FORTH ABOVE, NO OTHER WARRANTIES, EITHER EXPRESSED OR IMPLIED, WRITTEN OR ORAL, ARE MADE INCLUDING BUT NOT LIMITED TO THE IMPLIED WARRANTIES OF MERCHANTABILITY AND FITNESS FOR A PARTICULAR PURPOSE, AND THE WARRANTOR EXPRESSLY DISCLAIMS ALL WARRANTIES NOT STATED HEREIN. SOME STATES DO NOT ALLOW THE EXCLUSION OF IMPLIED WARRANTIES, SO THE ABOVE EXCLUSION MAY NOT APPLY TO YOU. THIS WARRANTY GIVES YOU SPECIFIC LEGAL RIGHTS AND YOU MAY ALSO HAVE OTHER RIGHTS THAT VARY FROM STATE TO STATE.

OBTAINING REPLACEMENT:

To obtain a replacement, contact the Warrantor or the dealer. **Proof of purchase is required.** If defective lengths have to be returned, it will be at the consumer's expense. The Warrantor will replace any lengths which upon examination by Warrantor or its designated representative, prove to be defective.

Rev: 1

03-2010

– E.&O.E. – Subject to Change Without Notice – May Not Be Available At All Locations –



www.eccomfg.com

Langley Distribution

19860 Fraser Highway
Langley, British Columbia
Canada V3A 4C9

Phone: 604-530-4151
Toll Free: 1-877-955-4805
Fax: 604-533-9335

Calgary Distribution

21 – 11150 38th Street, S.E.
Calgary, Alberta
Canada T2C 2Z6

Phone: 403-720-0895
Toll Free: 1-877-955-4815
Fax: 403-720-0897

Kent Distribution

20001 87th Ave. S, Bldg E
Kent, Washington
USA 98031

Phone: 253-872-3721
Toll Free: 1-800-207-6859
Fax: 253-872-3724

MODEL EV B-VENT CHIMNEY

Type B Gas Vent 10" - 30"



ECCO™ is proud to be a member of:



SMACNA
Sheet Metal and Air
Conditioning Contractors'
National Association
www.smacna.org



HRAI
Heating, Refrigeration and
Air Conditioning
Institute of Canada
www.hrai.ca



HARDI
Heating, Air-conditioning
& Refrigeration
Distributors International
www.hardinet.org



ADI
Air
Distribution
Institute
www.steelduct.org



AD
Affiliated Distributors™
www.adhq.com



CME
Canadian
Manufacturers &
Exporters
www.cme-mec.ca



SPIDA
Spiral Duct
Manufacturers
Association
www.spida.org



MODEL E/V TYPE B GAS VENT 10" – 30"

INDEX

CONNECTORS — DRAFT HOOD — DHC.....	B2-10
ELBOWS	
ELBOWS — 45 DEGREE — 45EL	B2-8
ELBOWS — 90 DEGREE — 90EL	B2-9
FIRESTOP SPACERS — FS.....	B2-7
FLASHINGS — ADJUSTABLE	
1/12 – 7/12 — AF	B2-6
1/12 – 7/12 — ARF — SOLDERED	B2-6
FLAT — FF.....	B2-6
INCREASERS — DOUBLE WALL — INC	B2-11
MODEL E/V TYPE 'B' GAS VENT 10" – 30"	B2-4
DIAGRAM.....	B2-3
APPLICATION / INSTALLATION.....	B2-4
RAIN CAPS — RC.....	B2-7
SPUN TEE CAPS — TC.....	B2-10
STORM COLLARS	
SC 10" – 24"	B2-7
SC 26" – 30"	B2-7
SUPPORT ASSEMBLY — SA.....	B2-8
SUPPORT PLATES — SP.....	B2-8
SUPPORT RINGS — SR.....	B2-8
TEES	
DOUBLE WALL — DWT.....	B2-9
SINGLE WALL — SWT	B2-9
VENT PIPE — VP	B2-5
VENT PIPE ADJUSTABLE — VPA	B2-6
WALL BANDS — WB	B2-11
WYES — DOUBLE WALL — DWW	B2-10

LEGEND

NOTE: The boxed columns throughout the tables are intended to provide a quick determination of ordering dimensions.

ABBREVIATIONS: CTN/QTY = Carton Quantity
 WT/100 = Weight per 100 Pieces
 PCS/BNDL = Pieces per Bundle

– E.&O.E. – Subject to Change Without Notice – May Not Be Available At All Locations –

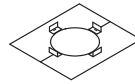
SPUN PLUG/CAP



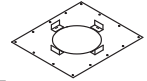
SUPPORT RING



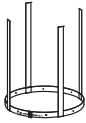
FIRESTOP SPACER



SUPPORT PLATE



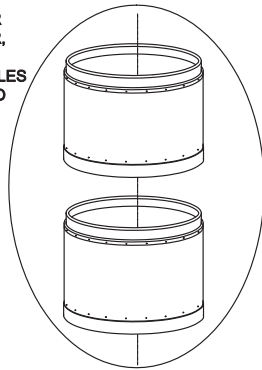
SUPPORT ASSEMBLY



Type B Gas Vent Installation Model E/V-Commercial 10" - 30"

ASSEMBLY

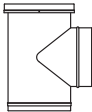
- 10" - 30" SIZES
- TO JOIN VENT PIPES, INSERT MALE COUPLER INTO FEMALE COUPLER, AND USE SHEET METAL SCREWS THROUGH HOLES IN FEMALE COUPLER TO FASTEN PIPES.



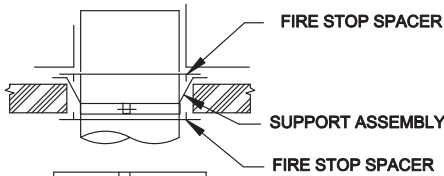
DOUBLE WALL INCREASER



SINGLE WALL TEE



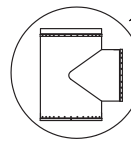
TYPE B GAS VENT INSTALLATION MODEL EV-COMMERCIAL 26" - 30"



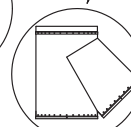
DRAFT HOOD CONNECTOR



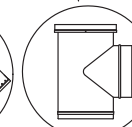
NOTCH TABS ON
FIRE STOP SPACER
ABOVE SUPPORT
ASSEMBLY



DOUBLE WALL TEE

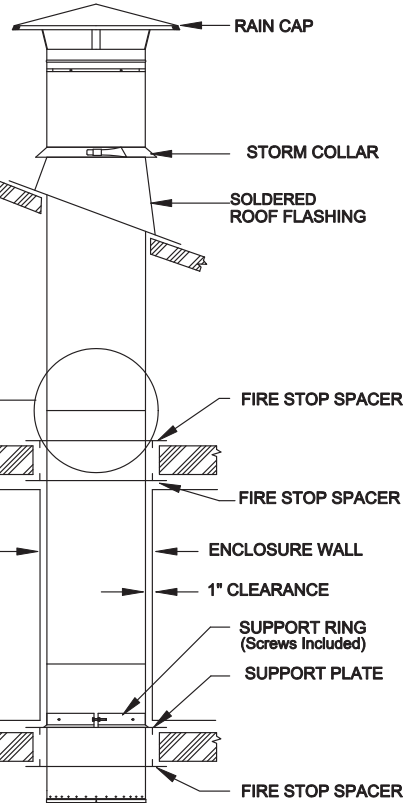


DOUBLE WALL WYE

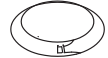


SINGLE WALL TEE

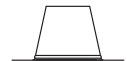
DRAFT HOOD CONNECTOR



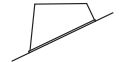
STORM COLLAR



FLAT ROOF FLASHING



ADJUSTABLE ROOF FLASHING
1/12 - 7/12 PITCH

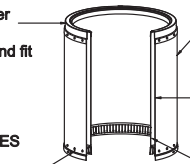


B-VENT PIPE



CONSTRUCTION DETAILS

DIE-FORMED COUPLINGS
- integrates the inner and outer pipe as one unit
- ensures consistent quality and fit



OUTSIDE CASING OF GALVALUME STEEL
- provides strength and durability

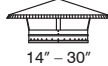
1" INSULATING AIR SPACE
- eliminates condensation, while keeping the outer casing cool

PRESTAMPED SCREW HOLES
- no drilling
- easy and quick assembly
- a positive and strong lock

INSIDE CONDUIT OF ALUMINUM
- resists corrosion



RAIN CAP



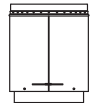
14" - 30"

RAIN CAP



10" - 12"

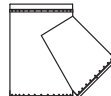
ADJUSTABLE B-VENT PIPE



DOUBLE WALL TEE



DOUBLE WALL WYE BRANCH



DOUBLE WALL ELBOW 90°
10" - 12" only



DOUBLE WALL ELBOW 45°



ECCO Manufacturing PRINTED IN CANADA 20/02/2008 PV

- E.&O.E. - Subject to Change Without Notice - May Not Be Available At All Locations -



MODEL E/V TYPE B GAS VENT 10" – 30"

MODEL E/V TYPE 'B' GAS VENT 10" – 30"

APPLICATION / INSTALLATION

Vent sizing and installation are to be made in accordance with the applicable codes shown below.

NOTE: IN CANADA

Connection to appliance and vent sizing to be in accordance with the NATURAL GAS AND PROPANE INSTALLATION CODE, CAN/CSA-B149.1 and/or the requirements of the local authorities having jurisdiction.

NOTE: IN U.S.A.

Connection to appliance and vent sizing to be in accordance with the NATIONAL FUEL GAS CODE, NFPA 54, (ANSI Z223.1), NFPA 211, and/or the requirements of the local authorities having jurisdiction.



ECCO Type B Gas Vent and accessories are for venting listed Natural Gas or Liquid Propane Category 1 appliances only. ECCO Type B Gas Vent Systems may be used on other gas-burning appliances, providing the appliance is certified for use with Type B Gas Vent, the installation conforms to the appliance manufacturer's certified installation instructions, and the installation is acceptable to the requirements of the local authority having jurisdiction. Type B Gas Vent shall not be used to vent flue products from incinerators, combination gas/oil appliances, oil-fired, or wood-burning appliances. If there is a question about the use of Type B Gas Vents, contact the appliance manufacturer, the authority having jurisdiction, or ECCO Manufacturing™ for further information.

Tested to UL441 "Gas Vent" basic standard.

TABLE OF 45° OFFSETS (for attic area where required)

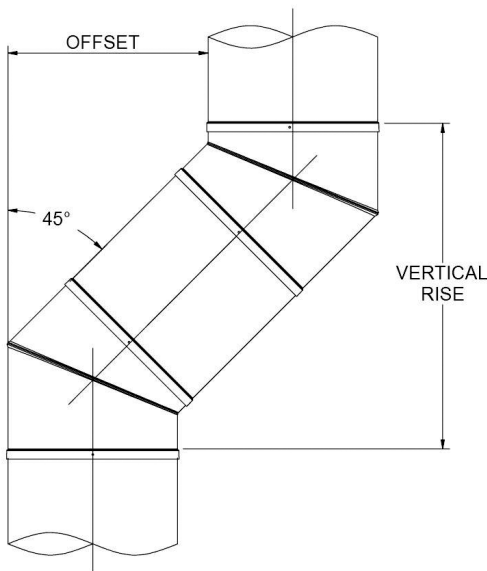
Use this table to determine the maximum offset produced by two 45° Elbows and one length of Vent Pipe.

OFFSET

Length Used	none	12"	18"	24"	36"	60"
10	6-1/4	14	18-1/4	22-4/8	30-7/8	47-7/8
12	6-3/4	14-1/2	18-3/4	23	31-1/2	-
14	7-3/8	15-1/8	19-3/8	23-5/8	32-1/8	-
16	8	15-3/4	20	24-1/4	32-3/4	-
18	8-5/8	16-1/4	20-1/2	24-3/4	33-1/4	-
20	9-1/8	16-3/4	21	25-1/4	33-3/4	-
22	9-3/4	17-1/2	21-3/4	26	34-1/2	-
24	10-3/8	18	22-1/4	26-1/2	35	-
26	11	18-3/4	22-7/8	27-1/8	35-5/8	-
28	11-5/8	19-1/4	23-1/2	27-3/4	36-1/4	-
30	12-1/8	19-7/8	24-1/8	28-3/8	36-7/8	-

VERTICAL RISE

Length Used	none	12"	18"	24"	36"	60"
10	15-1/8	22-7/8	27-1/8	31-3/8	39-3/4	56-3/4
12	16-3/8	24-1/8	28-3/8	32-5/8	41-1/8	-
14	17-7/8	25-5/8	29-7/8	34-1/8	42-5/8	-
16	19-3/8	27-1/8	31-3/8	35-5/8	44-1/8	-
18	20-3/4	28-3/8	32-5/8	36-7/8	45-3/8	-
20	22	29-5/8	33-7/8	38-1/8	46-5/8	-
22	23-5/8	31-3/8	35-5/8	39-7/8	48-3/8	-
24	25	32-5/8	36-7/8	41-1/8	49-5/8	-
26	26-5/8	34-1/4	38-1/2	42-3/4	51-1/4	-
28	28	35-5/8	39-7/8	44-1/8	52-5/8	-
30	29-3/8	37	41-1/4	45-1/2	54	-



-E.&O.E. - Subject to Change Without Notice - May Not Be Available At All Locations -



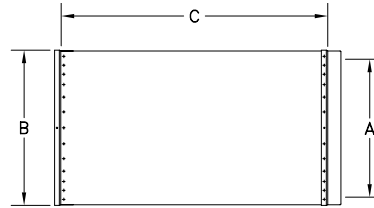
MODEL EV TYPE B GAS VENT 10" - 30"

VENT PIPE — VP

ITEM #	MODEL #	A (")	B (")	C (")	CTN/QTY	WT/100
231001	1060VP	10	12	59	*	1608

*Product shipped individually.

NOTE: Dimension C is installed length. Nominal length is 60".



ITEM #	MODEL #	A (")	B (")	C (")	CTN/QTY	WT/100
231002	1036VP	10	12	35	*	1024
231202	1236VP	12	14	35	*	1198
241402	1436VP	14	16	35	*	1370
241602	1636VP	16	18	35	*	1544
251802	1836VP	18	20	35	*	1718
252002	2036VP	20	22	35	*	1942
262202	2236VP	22	24	35	*	2121
262402	2436VP	24	26	35	*	2299
272602	2636VP	26	28	35	*	3274
272802	2836VP	28	30	35	*	3509
283002	3036VP	30	32	35	*	3746

*Product shipped individually.

NOTE: Dimension C is installed length. Nominal length is 36".

ITEM #	MODEL #	A (")	B (")	C (")	CTN/QTY	WT/100
231003	1018VP	10	12	17	*	586
231203	1218VP	12	14	17	*	685
241403	1418VP	14	16	17	*	784
241603	1618VP	16	18	17	*	885
251803	1818VP	18	20	17	*	985
252003	2018VP	20	22	17	*	1110
262203	2218VP	22	24	17	*	1212
262403	2418VP	24	26	17	*	1314
272603	2618VP	26	28	17	*	1807
272803	2818VP	28	30	17	*	1938
283003	3018VP	30	32	17	*	2069

*Product shipped individually.

NOTE: Dimension C is installed length. Nominal length is 18".

ITEM #	MODEL #	A (")	B (")	C (")	CTN/QTY	WT/100
231052	1024VP	10	12	23	*	732
231252	1224VP	12	14	23	*	856
241452	1424VP	14	16	23	*	980
241652	1624VP	16	18	23	*	1105
251852	1824VP	18	20	23	*	1229
252052	2024VP	20	22	23	*	1387
262252	2224VP	22	24	23	*	1515
262452	2424VP	24	26	23	*	1643
272652	2624VP	26	28	23	*	2296
272852	2824VP	28	30	23	*	2461
283052	3024VP	30	32	23	*	2628

*Product shipped individually.

NOTE: Dimension C is installed length. Nominal length is 24".

ITEM #	MODEL #	A (")	B (")	C (")	CTN/QTY	WT/100
231004	1012VP	10	12	11	*	439
231204	1212VP	12	14	11	*	514
241404	1412VP	14	16	11	*	589
241604	1612VP	16	18	11	*	665
251804	1812VP	18	20	11	*	741
252004	2012VP	20	22	11	*	832
262204	2212VP	22	24	11	*	910
262404	2412VP	24	26	11	*	986

*Product shipped individually.

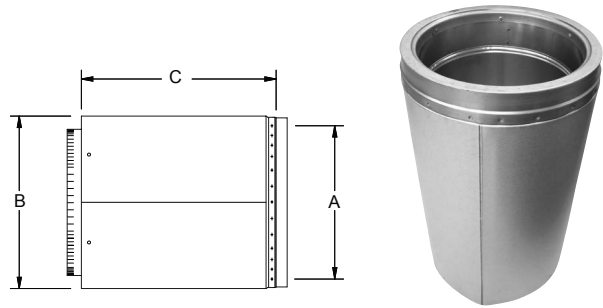
NOTE: Dimension C is installed length. Nominal length is 12".



MODEL EV TYPE B GAS VENT 10" - 30"

VENT PIPE ADJUSTABLE — VPA

ITEM #	MODEL #	A (")	B (")	C (")	CTN/QTY	WT/100
231026	1018VPA	10	12-1/4	18	*	623
231226	1218VPA	12	14-1/4	18	*	731
241426	1418VPA	14	16-1/4	18	*	839
241626	1618VPA	16	18-1/4	18	*	948
251826	1818VPA	18	20-1/4	18	*	1057
252026	2018VPA	20	22-1/4	18	*	1165
262226	2218VPA	22	24-1/4	18	*	1276
262426	2418VPA	24	26-1/4	18	*	1381
272626	2618VPA	26	28-1/4	18	*	1870
272826	2818VPA	28	30-1/4	18	*	2006
283026	3018VPA	30	32-1/4	18	*	2141

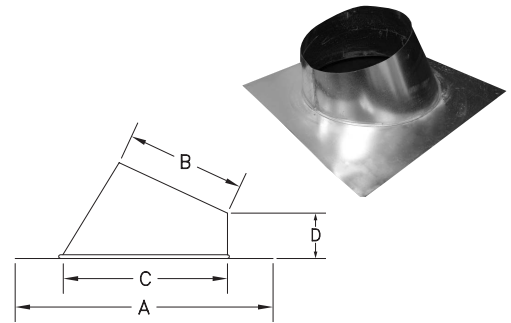


*Product shipped individually.

NOTE: Adjusts from 3-1/2" to 16"

FLASHINGS — ADJUSTABLE — 1/12 - 7/12 — AF

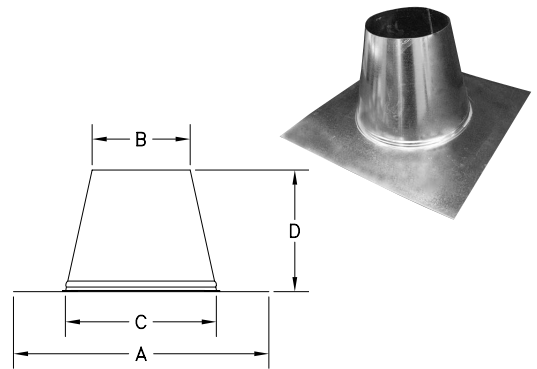
ITEM #	MODEL #	SIZE (")	A (")	B (")	C (")	D (")	CTN/QTY	WT/100
231008	10AF	10	25 × 25	12-1/4	16-1/2	4	*	461
231208	12AF	12	27 × 27	14-1/4	18-7/8	4	*	528
241408	14AF	14	30 × 30	16-1/4	21-1/8	4	*	635
241608	16AF	16	32 × 32	18-1/4	23-1/2	4	*	707
251808	18AF	18	34 × 34	20-1/4	26	4	*	785
252008	20AF	20	36 × 36	22-3/8	28-1/4	4	*	865
262208	22AF	22	39 × 39	24-3/8	30-5/8	4	*	997
262408	24AF	24	41 × 41	26-3/8	32-7/8	4	*	1086



*Product shipped individually.

FLASHINGS — FLAT — FF

ITEM #	MODEL #	SIZE (")	A (")	B (")	C (")	D (")	CTN/QTY	WT/100
231009	10FF	10	22 × 22	12-1/4	14	10	*	481
231209	12FF	12	24 × 24	14-1/4	16	10	*	551
241409	14FF	14	26 × 26	16-1/4	18	10	*	627
241609	16FF	16	28 × 28	18-1/4	20	10	*	699
251809	18FF	18	30 × 30	20-1/4	22	10	*	772
252009	20FF	20	32 × 32	22-1/4	24	10	*	847
262209	22FF	22	34 × 34	24-1/4	26	10	*	921
262409	24FF	24	36 × 36	26-1/4	28	10	*	998
272609	26FF	26	38 × 38	28-3/8	30	10	*	1205
272809	28FF	28	40 × 40	30-3/8	32	10	*	1293
283009	30FF	30	42 × 42	32-3/8	34	10	*	1383

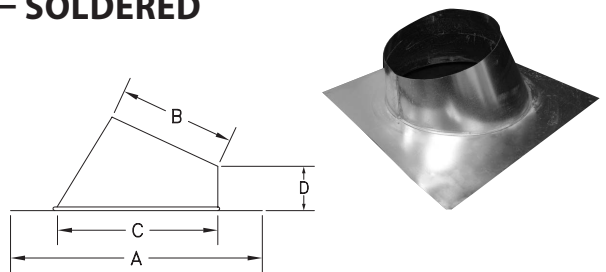


*Product shipped individually.

NOTE: All seams are soldered.

FLASHINGS — ADJUSTABLE — 1/12 - 7/12 — ARF — SOLDERED

ITEM #	MODEL #	A (")	B (")	C (")	D (")	CTN/QTY	WT/100
231069	10ARF	25 × 25	12-1/4	16-1/2	4	*	461
231269	12ARF	27 × 27	14-1/4	18-7/8	4	*	528
-	14ARF	30 × 30	16-1/4	21-1/8	4	*	635
-	16ARF	32 × 32	18-1/4	23-1/2	4	*	707
-	18ARF	34 × 34	20-1/4	26	4	*	785
-	20ARF	36 × 36	22-3/8	28-1/4	4	*	865
-	22ARF	39 × 39	24-3/8	30-5/8	4	*	997
-	24ARF	41 × 41	26-3/8	32-7/8	4	*	1086



*Product shipped individually.

We have custom capabilities to manufacture any sizes you may require. Contact factory for special sizes and configurations not listed.

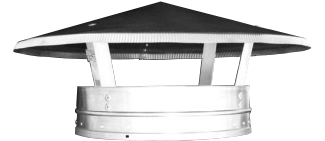
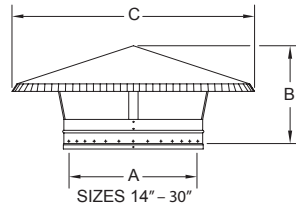
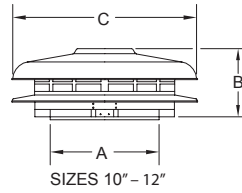
- E.&O.E. - Subject to Change Without Notice - May Not Be Available At All Locations -



MODEL EV TYPE B GAS VENT 10" - 30"

RAIN CAPS — RC

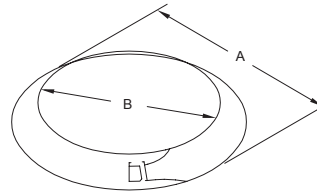
ITEM #	MODEL #	A (")	B (")	C (")	CTN/QTY	WT/100
231006	10RC	10	8-5/8	20	*	300
231206	12RC	12	8-5/8	22	*	340
241406	14RC	14	11-1/8	27-1/2	*	349
241606	16RC	16	11-3/8	29-1/2	*	389
251806	18RC	18	13-1/4	34-1/2	*	494
252006	20RC	20	13-1/2	36-1/2	*	578
262206	22RC	22	16	41-1/2	*	733
262406	24RC	24	16-3/8	43-1/4	*	790
272606	26RC	26	17-7/8	48-1/4	*	1045
272806	28RC	28	18-1/4	50-1/4	*	1113
283006	30RC	30	18-1/2	52-1/4	*	1183



*Product shipped individually.

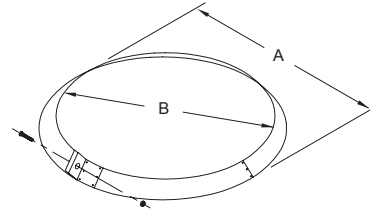
STORM COLLARS — SC 10" - 24"

ITEM #	MODEL #	SIZE (")	A (")	B (")	PCS/BNDL	WT/100
231007	10SC	10	14-3/4	12	10	55
231207	12SC	12	16-3/4	14	10	62
241407	14SC	14	20-1/4	16	10	114
241607	16SC	16	22-1/4	18	10	125
251807	18SC	18	24-1/4	20	10	137
252007	20SC	20	26-1/4	22	10	148
262207	22SC	22	28-1/4	24	10	159
262407	24SC	24	30-1/4	26	10	171



STORM COLLARS — SC 26" - 30"

ITEM #	MODEL #	SIZE (")	A (")	B (")	PCS/BNDL	WT/100
272607	26SC	26	32-1/4	28	*	253
272807	28SC	28	34-1/4	30	*	268
283007	30SC	30	36-1/4	32	*	283

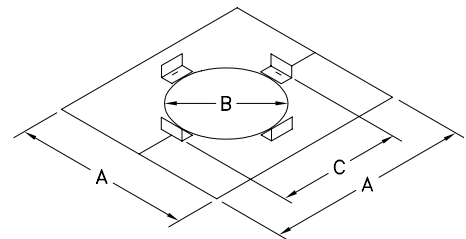
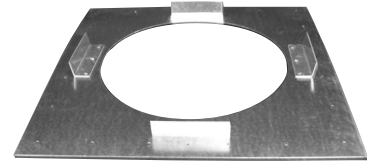


*Product shipped individually.

NOTE: Includes hardware for installation.

FIRESTOP SPACERS — FS

ITEM #	MODEL #	SIZE (")	A (")	B (")	C (")	CTN/QTY	WT/100
231010	10FS	10	18	12-1/8	14-1/8 x 14-1/8	*	154
231210	12FS	12	20	14-1/8	16-1/8 x 16-1/8	*	176
241410	14FS	14	22	16-1/8	18-1/8 x 18-1/8	*	199
241610	16FS	16	24	18-1/8	20-1/8 x 20-1/8	*	223
251810	18FS	18	26	20-1/8	22-1/8 x 22-1/8	*	248
252010	20FS	20	28	22-1/8	24-1/8 x 24-1/8	*	275
262210	22FS	22	30	24-1/8	26-1/8 x 26-1/8	*	302
262410	24FS	24	32	26-1/8	28-1/8 x 28-1/8	*	330
272610	26FS	26	34	28-1/8	30-1/8 x 30-1/8	*	392
272810	28FS	28	36	30-1/8	32-1/8 x 32-1/8	*	422
283010	30FS	30	38	32-1/8	34-1/8 x 34-1/8	*	454



*Product shipped individually.

NOTE: Firestop Spacers are required above and below each floor and ceiling level penetrated by the vent.

We have custom capabilities to manufacture any sizes you may require. Contact factory for special sizes and configurations not listed.

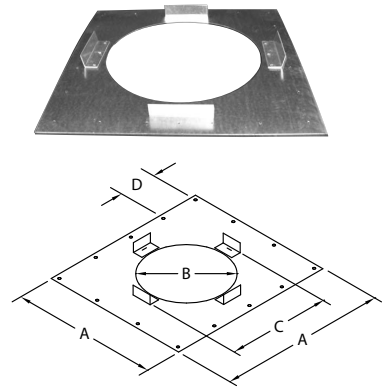
- E.&O.E. - Subject to Change Without Notice - May Not Be Available At All Locations -



MODEL EV TYPE B GAS VENT 10" - 30"

SUPPORT PLATES — SP

ITEM #	MODEL #	SIZE (")	A (")	B (")	C (")	D (")	CTN/QTY	WT/100
231017	10SP	10	18	12-1/4	14-1/4 × 14-1/4	4	14	250
231217	12SP	12	20	14-1/4	16-1/4 × 16-1/4	4-1/2	14	302
241417	14SP	14	22	16-1/4	18-1/4 × 18-1/4	5	*	356
241617	16SP	16	24	18-1/4	20-1/4 × 20-1/4	4-1/2	*	412
251817	18SP	18	26	20-1/4	22-1/4 × 22-1/4	5	*	469
252017	20SP	20	28	22-1/4	24-1/4 × 24-1/4	4-1/2	*	527
262217	22SP	22	30	24-1/4	26-1/4 × 26-1/4	5	*	588
262417	24SP	24	32	26-1/4	28-1/4 × 28-1/4	5	*	650

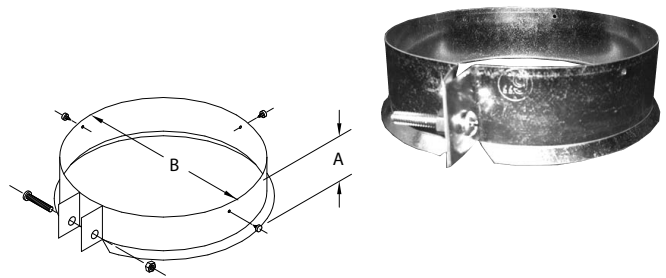


*Product shipped individually.

NOTE: Support Plate and Support Ring required for every 30 feet of vent height.

SUPPORT RINGS — SR

ITEM #	MODEL #	SIZE (")	A (")	B (")	CTN/QTY	WT/100
231018	10SR	10	2	12	14	66
231218	12SR	12	2	14	14	76
241418	14SR	14	2-1/4	16	5/Bndl	104
241618	16SR	16	2-1/4	18	5/Bndl	115
251818	18SR	18	2-1/4	20	5/Bndl	127
252018	20SR	20	2-1/4	22	5/Bndl	138
262218	22SR	22	2-1/4	24	5/Bndl	149
262418	24SR	24	2-1/4	26	5/Bndl	160



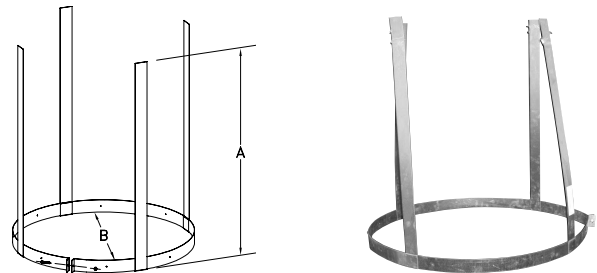
NOTE: Support Plate and Support Ring required for every 30 feet of vent height. Includes Sheet Metal Screws and Assembly Bolt for installation.

SUPPORT ASSEMBLY — SA

ITEM #	MODEL #	SIZE (")	A (")	B (")	CTN/QTY	WT/100
272616	26SA	26	34	28	*	440
272816	28SA	28	34	30	*	452
283016	30SA	30	34	32	*	463

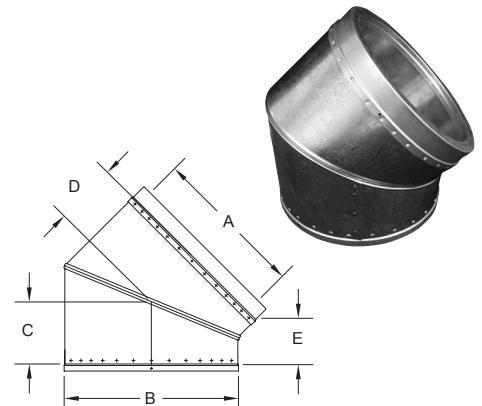
*Product shipped individually.

NOTE: Support Assembly required for every 30 feet of vent height. Includes Sheet Metal Screws and Assembly Bolt for installation.



ELBOWS — 45 DEGREE — 45EL

ITEM #	MODEL #	A (")	B (")	C (")	D (")	E (")	CTN/QTY	WT/100
231013	1045EL	10	12	5	3-7/8	3-1/2	*	447
231213	1245EL	12	14	5-3/8	4-1/4	3-1/2	*	552
241413	1445EL	14	16	5-7/8	4-5/8	3-1/2	*	667
241613	1645EL	16	18	6-1/4	5-1/8	3-1/2	*	795
251813	1845EL	18	20	6-5/8	5-1/2	3-1/2	*	925
252013	2045EL	20	22	7	5-7/8	3-1/2	*	1063
262213	2245EL	22	24	7-1/2	6-3/8	3-1/2	*	1219
262413	2445EL	24	26	7-7/8	6-3/4	3-1/2	*	1372
272613	2645EL	26	28	8-3/8	7-1/8	3-1/2	*	1971
272813	2845EL	28	30	8-3/4	7-5/8	3-1/2	*	2199
283013	3045EL	30	32	9-1/8	8	3-1/2	*	2446



*Product shipped individually.

We have custom capabilities to manufacture any sizes you may require. Contact factory for special sizes and configurations not listed.

-E.&O.E. - Subject to Change Without Notice - May Not Be Available At All Locations -



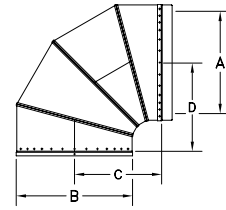
MODEL EV TYPE B GAS VENT 10" - 30"

ELBOWS — 90 DEGREE — 90EL

ITEM #	MODEL #	A (")	B (")	C (")	D (")	CTN/QTY	WT/100
231014	1090EL	10	12	10-3/4	11-1/4	*	736
231214	1290EL	12	14	11-1/4	11-3/4	*	898

*Product shipped individually.

NOTE: For sizes 14" to 24" use two 45 degree elbows to make 90 degrees.

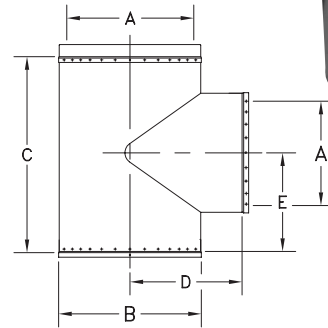


TEES — DOUBLE WALL — DWT

ITEM #	MODEL #	A (")	B (")	C (")	D (")	E (")	CTN/QTY	WT/100
231012	10DWT	10	12	18	9	9	*	697
231212	12DWT	12	14	20	10	10	*	869
241412	14DWT	14	16	22	11	11	*	1057
241612	16DWT	16	18	24	12	12	*	1267
251812	18DWT	18	20	26	13	13	*	1486
252012	20DWT	20	22	28	14	14	*	1697
262212	22DWT	22	24	30	15	15	*	1951
262412	24DWT	24	26	32	16	16	*	2203
272612	26DWT	26	28	34	17	17	*	3475
272812	28DWT	28	30	36	18	18	*	3886
283012	30DWT	30	32	38	19	19	*	4326

*Product shipped individually.

NOTE: Dimension 'A' may vary according to customer requirements. Dimension 'C' varies with Dimension 'A'. Factory installed Tee Cap attached to bottom of Tee.

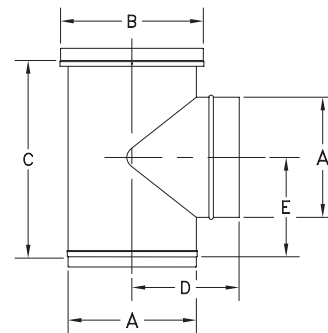


TEES — SINGLE WALL — SWT

ITEM #	MODEL #	A (")	B (")	C (")	D (")	E (")	CTN/QTY	WT/100
231011	10SWT	10	12	16	8	8	*	656
231211	12SWT	12	14	18	9	9	*	852
241411	14SWT	14	16	20	10	10	*	1070
241611	16SWT	16	18	22	11	11	*	1729
251811	18SWT	18	20	24	12	12	*	2066
252011	20SWT	20	22	26	13	13	*	2427
262211	22SWT	22	24	28	14	14	*	2826
262411	24SWT	24	26	30	15	15	*	3256
-	26SWT	26	28	32	16	16	-	-
-	28SWT	28	30	34	17	17	-	-
-	30SWT	30	32	36	18	18	-	-

*Product shipped individually.

NOTE: Dimension 'A' may vary according to customer requirements. Dimension 'C' varies with Dimension 'A'. Factory installed Tee Cap attached to bottom of Tee.



We have custom capabilities to manufacture any sizes you may require. Contact factory for special sizes and configurations not listed.

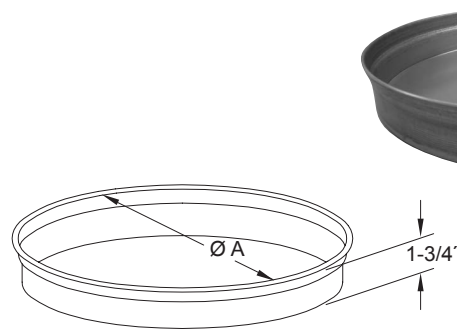
- E.&O.E. - Subject to Change Without Notice - May Not Be Available At All Locations -



MODEL EV TYPE B GAS VENT 10" - 30"

SPUN TEE CAPS — TC

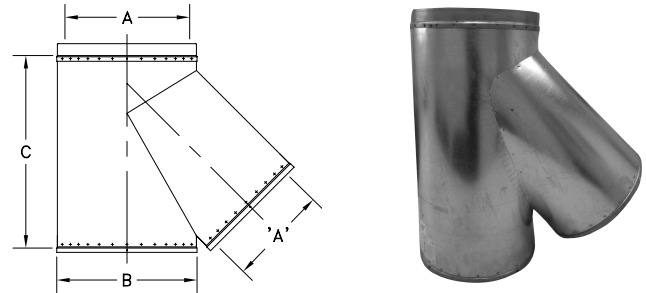
ITEM #	MODEL #	A (")	CTN/QTY	WT/100
571026	10TC	10	20	101
571226	12TC	12	10	140
571426	14TC	14	10	184
571626	16TC	16	10	226
571826	18TC	18	10	270
572026	20TC	20	*	313
572226	22TC	22	*	370
572426	24TC	24	*	435
572626	26TC	26	*	490
572826	28TC	28	*	580
573026	30TC	30	*	655



*Product shipped individually.

DOUBLE WALL WYES — DWW

ITEM #	MODEL #	A (")	B (")	C (")	CTN/QTY	WT/100
231031	10DWW	10	12	23	*	958
-	12DWW	12	14	25-7/8	*	1228
-	14DWW	14	16	28-5/8	*	1529
-	16DWW	16	18	31-1/2	*	1862
-	18DWW	18	20	34-3/8	*	2227
-	20DWW	20	22	37-1/8	*	2619
-	22DWW	22	24	40	*	3043
-	24DWW	24	26	42-3/4	*	3498
-	26DWW	26	28	45-5/8	*	5413
-	28DWW	28	30	48-1/2	*	6129
-	30DWW	30	32	51-1/4	*	6902

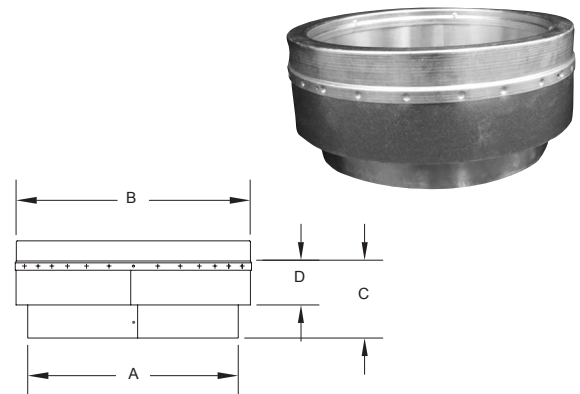


*Product shipped individually.

NOTE: Dimension 'A' may vary according to customer requirements.
Dimension C is installed length and varies with Dimension 'A'.
Tee Cap not included.

DRAFT HOOD CONNECTORS — DHC

ITEM #	MODEL #	A (")	B (")	C (")	D (")	CTN/QTY	WT/100
231015	10DHC	10	12	3-3/4	2-1/2	*	184
231215	12DHC	12	14	3-3/4	2-1/2	*	216
241415	14DHC	14	16	3-3/4	2-1/2	*	248
241615	16DHC	16	18	3-3/4	2-1/2	*	281
251815	18DHC	18	20	3-3/4	2-1/2	*	314
252015	20DHC	20	22	3-3/4	2-1/2	*	347
262215	22DHC	22	24	3-3/4	2-1/2	*	380
262415	24DHC	24	26	3-3/4	2-1/2	*	412
272615	26DHC	26	28	3-3/4	2-1/2	*	446
272815	28DHC	28	30	3-3/4	2-1/2	*	478
283015	30DHC	30	32	3-3/4	2-1/2	*	511



*Product shipped individually.

We have custom capabilities to manufacture any sizes you may require. Contact factory for special sizes and configurations not listed.

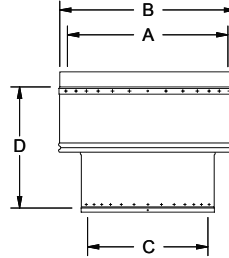
- E.&O.E. - Subject to Change Without Notice - May Not Be Available At All Locations -



MODEL EV TYPE B GAS VENT 10" - 30"

INCREASERS — DOUBLE WALL — INC

ITEM #	MODEL #	A (")	B (")	C (")	D (")	CTN/QTY	WT/100
231058	1012INC	10	12	8	4-5/8	*	422
231258	1214INC	12	14	10	4-5/8	*	490
241458	1416INC	14	16	12	4-5/8	*	558
-	1618INC	16	18	14	4-5/8	*	627
-	1820INC	18	20	16	4-5/8	*	695
-	2022INC	20	22	18	4-5/8	*	762
-	2224INC	22	24	20	4-5/8	*	830
-	2426INC	24	26	22	4-5/8	*	898
-	2628INC	26	28	24	4-5/8	*	966
-	2830INC	28	30	26	4-5/8	*	1034
-	30INC	-	-	-	-	-	-

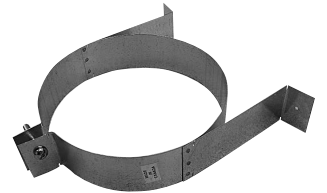
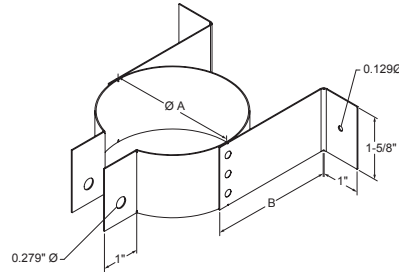


*Product shipped individually.

NOTE: Dimensions C and D may vary according to customer requirements.

WALL BANDS — WB

ITEM #	MODEL #	A (")	B (")	CTN/QTY	WT/100
231019	10WB	12	8	20	69
231219	12WB	14	9	20	80



- E.&O.E. - Subject to Change Without Notice - May Not Be Available At All Locations -



MODEL EV TYPE B GAS VENT 10" – 30"

GAS-VENT, Type B LIMITED LIFETIME WARRANTY

This limited LIFETIME warranty is granted by ECCO Manufacturing™ a division of ECCO Heating Products Ltd. 19860 Fraser Highway Langley B.C. Canada V3A 4C9 (Hereinafter referred to as "Warrantor")

LIMITED WARRANTY:

The Warrantor grants a warranty to the initial consumer that the **ECCO GAS VENT** will be free from defects in material and workmanship under normal use for the lifetime of the product. This warranty is not valid if the **ECCO GAS VENT** is not installed in accordance with the recommendations provided in the installation manual and with all the components provided by the manufacturer. This product must be used for the application for which it was designed and intended.

The Warrantor shall not be liable for damages due to normal wear of the **ECCO GAS VENT**, accidents, misuse, lack of reasonable and necessary maintenance, improper installation or unauthorized repairs, alterations or modifications of the product.

The Warrantor's liability with respect to defects shall be limited to the replacement of the **ECCO GAS VENT** chimney lengths considered defective by the Warrantor for the lifetime of the product. The initial consumer shall bear all other costs.

The Warrantor reserves the right to replace **ECCO GAS VENT** chimney lengths with an equivalent product and the replacement must be carried out in accordance with the Warrantor's recommendations.

The warranty is limited to the replacement of defective lengths and does not include any damages resulting from any defect in the product nor does it include expenses sustained in connection with the product, including damages to property.

IN NO EVENT WILL WARRANTOR BE LIABLE TO YOU OR ANY OTHER PERSON FOR ANY DAMAGES, INCLUDING ANY INCIDENTAL OR CONSEQUENTIAL DAMAGES. SOME STATES DO NOT ALLOW THE ABOVE LIMITATION OR EXCLUSION OF INCIDENTAL OR CONSEQUENTIAL DAMAGES, SO THE ABOVE LIMITATIONS OR EXCLUSIONS MAY NOT APPLY TO YOU.

The warranty is only valid for an initial consumer who buys ECCO GAS VENT lengths and may not be assigned.

EXCEPT AS EXPRESSLY SET FORTH ABOVE, NO OTHER WARRANTIES, EITHER EXPRESSED OR IMPLIED, WRITTEN OR ORAL, ARE MADE INCLUDING BUT NOT LIMITED TO THE IMPLIED WARRANTIES OF MERCHANTABILITY AND FITNESS FOR A PARTICULAR PURPOSE, AND THE WARRANTOR EXPRESSLY DISCLAIMS ALL WARRANTIES NOT STATED HEREIN. SOME STATES DO NOT ALLOW THE EXCLUSION OF IMPLIED WARRANTIES, SO THE ABOVE EXCLUSION MAY NOT APPLY TO YOU. THIS WARRANTY GIVES YOU SPECIFIC LEGAL RIGHTS AND YOU MAY ALSO HAVE OTHER RIGHTS THAT VARY FROM STATE TO STATE.

OBTAINING REPLACEMENT:

To obtain a replacement, contact the Warrantor or the dealer. **Proof of purchase is required.** If defective lengths have to be returned, it will be at the consumer's expense. The Warrantor will replace any lengths which upon examination by Warrantor or its designated representative, prove to be defective.

Rev: 1

03-2010

– E.&O.E. – Subject to Change Without Notice – May Not Be Available At All Locations –



www.eccomfg.com

Langley Distribution

19860 Fraser Highway
Langley, British Columbia
Canada V3A 4C9

Phone: 604-530-4151
Toll Free: 1-877-955-4805
Fax: 604-533-9335

Calgary Distribution

21 – 11150 38th Street, S.E.
Calgary, Alberta
Canada T2C 2Z6

Phone: 403-720-0895
Toll Free: 1-877-955-4815
Fax: 403-720-0897

Kent Distribution

20001 87th Ave. S, Bldg E
Kent, Washington
USA 98031

Phone: 253-872-3721
Toll Free: 1-800-207-6859
Fax: 253-872-3724

ECCO POLYPROPYLENE VENT™

Single Wall Rigid / Flex Venting



ECCO™ is proud to be a member of:



SMACNA
Sheet Metal and Air
Conditioning Contractors'
National Association
www.smacna.org



HRAI
Heating, Refrigeration and
Air Conditioning
Institute of Canada
www.hrai.ca



HARDI
Heating, Air-conditioning
& Refrigeration
Distributors International
www.hardinet.org



ADI
Air
Distribution
Institute
www.steelduct.org



AD
Affiliated Distributors™
www.adhq.com



**Canadian
Manufacturers &
Exporters**

CME
Canadian
Manufacturers &
Exporters
www.cme-mec.ca



SPIDA
Spiral Duct
Manufacturers
Association
www.spida.org



ECCO POLYPROPYLENE VENT™ SINGLE WALL RIGID / FLEX VENTING

INDEX

SINGLE WALL RIGID VENTING	B3-3	REDUCERS	B3-9
ADAPTER CLAMPS	B3-13	REPLACEMENT RIGID GASKETS — EPDM	B3-10
CONCENTRIC	B3-13	SINGLE WALL TWIN-PIPE TO CONCENTRIC ADAPTERS ..	B3-12
SINGLE WALL	B3-13	SPACING BRACKETS — RIGID PIPE	B3-10
ADJUSTABLE PIPE.....	B3-7	SUPPORT BRACKETS	B3-7
APPLIANCE ADAPTERS — FEMALE PVC	B3-12	SUPPORT ELBOWS WITH BRACKET	B3-10
APPLIANCE ADAPTERS — STAINLESS STEEL.....	B3-12	TEES WITH CAP.....	B3-8
CASCADE EXTENSION KITS	B3-14	TEST PORTS.....	B3-7
CASCADE STARTER KITS	B3-14	WIRE SPRING GUARDS	B3-10
CHIMNEY CAPS WITH PIPE LENGTH.....	B3-9	SINGLE WALL FLEXIBLE VENTING	B3-19
CONCENTRIC INCREASERS	B3-13	INTRODUCTION	B3-19
CONCENTRIC TERMINATIONS		BIRD GUARDS.....	B3-22
EXHAUST OFFSET FOR HORIZONTAL		B-VENT RETROFIT FLEX CAPS.....	B3-20
TERMINATIONS	B3-15	CHIMNEY BENDS	
HORIZONTAL (WALL) TERMINATIONS	B3-15	CONCENTRIC TO FLEX	B3-22
HORIZONTAL (WALL) TERMINATION GUARDS.....	B3-16	SINGLE PIPE TO FLEX	B3-21
HORIZONTAL (WALL) TERMINATION KIT	B3-17	TWIN PIPE TO FLEX	B3-22
ROOF FLASHINGS		COUPLERS	B3-21
ADJUSTABLE — 5/12 – 12/12 (25° – 45°).....	B3-18	FEMALE ADAPTERS — FLEX TO RIGID.....	B3-21
FLAT/LOW PITCH ADJUSTABLE FLASHING —		FLEX PIPES.....	B3-20
FLAT — 5/12 (0° – 25°).....	B3-18	FLEX PULLER TOOLS	B3-23
FLAT	B3-18	FLEX RELINING KITS	B3-20
TWIN PIPE WALL TERMINATION KITS	B3-11	GASKET LUBRICANT.....	B3-23
VERTICAL TERMINATIONS — SINGLE WALL.....	B3-11	MALE ADAPTERS — RIGID TO FLEX.....	B3-21
VERTICAL (ROOF) TERMINATION EXTENSIONS	B3-16	REPLACEMENT FLEX GASKETS — VITON	B3-23
VERTICAL (ROOF) TERMINATIONS	B3-16	SPACING BRACKETS — FLEX PIPE	B3-22
VERTICAL TERMINATION KIT	B3-17		
WALL PLATE FOR HORIZONTAL TERMINATIONS.....	B3-15		
WALL PLATES	B3-15		
CONCENTRIC TO SINGLE WALL TWIN-PIPE ADAPTERS ..	B3-11		
CONDENSATE DRAINS.....	B3-8		
ELBOWS			
45°.....	B3-6		
45° — UV (BLACK).....	B3-6		
87°.....	B3-5		
87° — INSPECTION	B3-5		
87° — UV (BLACK).....	B3-5		
INCREASERS.....	B3-8		
INTRODUCTION	B3-3		
LOCKING CLAMPS — GALVANIZED.....	B3-6		
NON-RETURN VALVES.....	B3-13		
PIPE LENGTHS.....	B3-4		
PIPE LENGTHS — UV (BLACK).....	B3-4		

– E.&O.E. – Subject to Change Without Notice – May Not Be Available At All Locations –



ECCO POLYPROPYLENE VENT™ SINGLE WALL RIGID / FLEX VENTING

ECCO POLYPROPYLENE VENT™ SINGLE WALL RIGID VENTING

INTRODUCTION

Specifications

- Specially developed fire retardant polypropylene
- Resistant up to 248°F (120°C)
- Operates in negative and positive pressure modes
- 2" (60 mm) and 3" (80 mm) diameters available in white
- 4" (110 mm), 5" (125 mm), 6" (160 mm), and 8" (200 mm) available in grey
- System approval 20" of water column or 5000 Pa (0.725 psi)

Advantages

- Complete product line in polypropylene
- Long lasting, lightweight, and easy to install
- Resistant to aggressive condensed water, reducing contaminant pollution of the boiler

Safety

To ensure installation is and remains completely sealed tight, a locking clamp must be used at all connections. For correct installation of the clamp, the installation instructions should be followed. Only if these instructions are followed can a safe and gas tight installation be guaranteed. Use ECCO Polypropylene Vent™ lubricant exclusively for installing ECCO Polypropylene Vent™ to ensure a reliable and safe connection.

Environment

- Less CO₂ is produced in polypropylene flue gas systems compared to traditional metal flue gas systems.
- Completely recyclable

Installation

- Certified to ULC-S636 standard for Class IIC rating (exhaust temperatures up to 230°F (110°C)).
- Certified diameters are 2" (60 mm), 3" (80 mm), and 4" (110 mm) residential; 5" (125 mm), 6" (160 mm), and 8" (200 mm) commercial.
- ECCO Polypropylene Vent™ is a vent system for type BH gas venting, for use with ANSI Category II and IV gas burning appliances (condensing boilers) with a maximum flue gas temperature of 230°F (110°C).
- Sealings are made of EPDM
- Appliances can be operated immediately upon the completion of ECCO Polypropylene Vent™ installation.
- Vent pipe is rated to a maximum of 20" of water column, or 5000 Pa (0.725psi)
- Maximum flue gas temperature is 230°F (110°C) for ULC-S636 compliant installation – guaranteed up to a maximum flue gas temperature of 248°F (120°C).
- Minimum clearance to combustibles is 0"
- Unless approved by the appliance manufacturer, only one appliance may be attached to the vent system.
- Do not use ECCO Polypropylene Vent™ with any other manufacturer's vent components – it must be used exclusively throughout the entire vent system.
- Installation must conform to all relevant local, State, Provincial or National codes.



ECCO POLYPROPYLENE VENT™ SINGLE WALL RIGID / FLEX VENTING

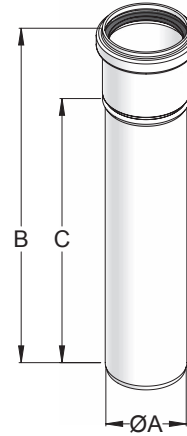
PIPE LENGTHS

Rigid Polypropylene pipe length with integrated gasket. The male end of the pipe can be cut to shorten length if required.

2" and 3" Diameter

Pipes are non-UV resistant white polypropylene.

ITEM #	MODEL #	A" (mm)	B (")	C (")	CTN/QTY
190200	272PPP	2 (60)	72	69.75	6
190203	236PPP	2 (60)	36	33.75	6
190204	224PPP	2 (60)	24	21.75	6
190206	212PPP	2 (60)	12	9.75	12
190300	372PPP	3 (80)	72	69.75	4
190303	336PPP	3 (80)	36	33.75	4
190304	324PPP	3 (80)	24	21.75	8
190306	312PPP	3 (80)	12	9.75	12

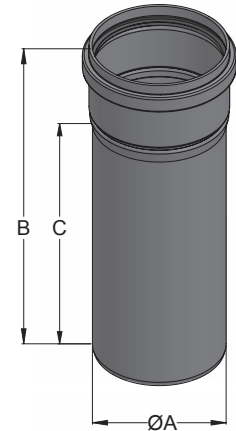


2" and 3" dia.

4" – 8" Diameter

Pipes are UV resistant grey polypropylene.

ITEM #	MODEL #	A" (mm)	B (")	C (")	CTN/QTY
190400	472PPP	4 (110)	72	69.5	4
190403	436PPP	4 (110)	36	33.5	4
190404	424PPP	4 (110)	24	21.5	4
190406	412PPP	4 (110)	12	9.5	6
190500	572PPP	5 (125)	77	69.5	4
190503	536PPP	5 (125)	36	33.5	4
190504	524PPP	5 (125)	24	21.5	6
190600	672PPP	6 (160)	72	69.5	4
190603	636PPP	6 (160)	36	33.5	4
190604	624PPP	6 (160)	24	21.5	6
190800	872PPP	8 (200)	72	69.5	4
190803	836PPP	8 (200)	36	33.5	4
190804	824PPP	8 (200)	24	21.5	4



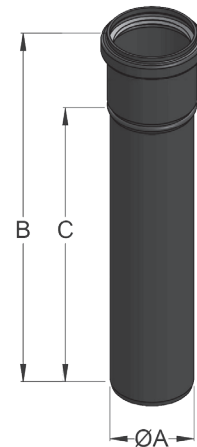
4" – 8" dia.

PIPE LENGTHS — UV (BLACK)

UV resistant Rigid Polypropylene pipe length with integrated gasket. The male end of the pipe can be cut to shorten length if required.

UV resistant pipe must always be used when the venting system could be subject to UV exposure.

ITEM #	MODEL #	A" (mm)	B (")	C (")	CTN/QTY
190205	224PPPB	2 (60)	24	22.75	6
190207	212PPPB	2 (60)	12	9.75	12
190305	324PPPB	3 (80)	24	22.75	8
190307	312PPPB	3 (80)	12	9.75	12



*Contact your factory representative for further dimensional information.

– E.&O.E. – Subject to Change Without Notice – May Not Be Available At All Locations –



ECCO POLYPROPYLENE VENT™ SINGLE WALL RIGID / FLEX VENTING

ELBOWS — 87°

Polypropylene elbows with integrated gasket. Used to create offsets or changes in direction of the venting system.

2" and 3" Diameter

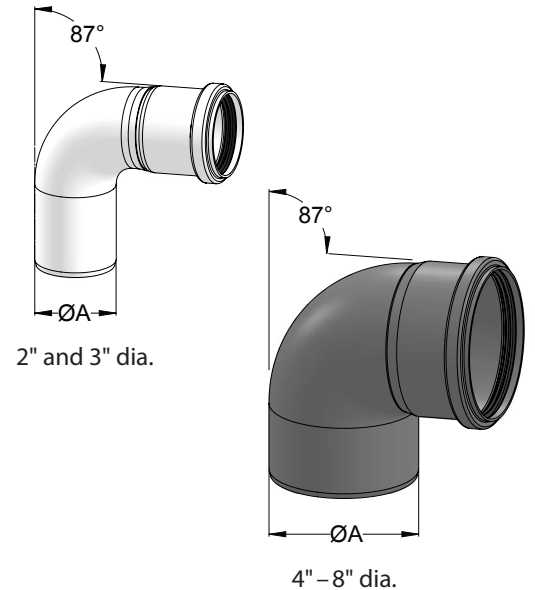
Elbows are non-UV resistant white polypropylene.

ITEM #	MODEL #	A" (mm)	CTN/QTY
190211	287PEL	2 (60)	12
190311	387PEL	3 (80)	12

4" – 8" Diameter

Elbows are UV resistant grey polypropylene.

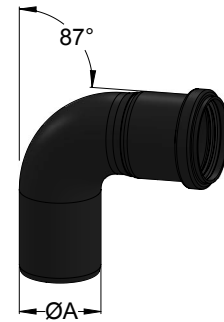
ITEM #	MODEL #	A" (mm)	CTN/QTY
190411	487PEL	4 (110)	6
190511	587PEL	5 (125)	4
190611	687PEL	6 (160)	4
190811	887PEL	8 (200)	4



ELBOWS — 87° — UV (BLACK)

UV Resistant Polypropylene elbows with integrated gasket. Used to create offsets or changes in direction of the venting system. UV resistant elbows must always be used when the venting system could be subject to UV exposure.

ITEM #	MODEL #	A" (mm)	CTN/QTY
190212	287PELB	2 (60)	12
190312	387PELB	3 (80)	12



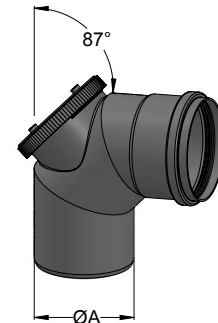
ELBOWS — 87° — INSPECTION

Used to change direction or venting system, and can also be used by a technician as an inspection port.

4" inspection elbows are UV resistant grey polypropylene.

ITEM #	MODEL #	A" (mm)	CTN/QTY
190431	487PIEL	4 (110)	*

*Product shipped individually.



*Contact your factory representative for further dimensional information.

— E.&O.E. — Subject to Change Without Notice — May Not Be Available At All Locations —



ECCO POLYPROPYLENE VENT™ SINGLE WALL RIGID / FLEX VENTING

ELBOWS — 45°

Polypropylene elbows with integrated gasket. Used to create offsets or changes in direction of the venting system.

2" and 3" Diameter

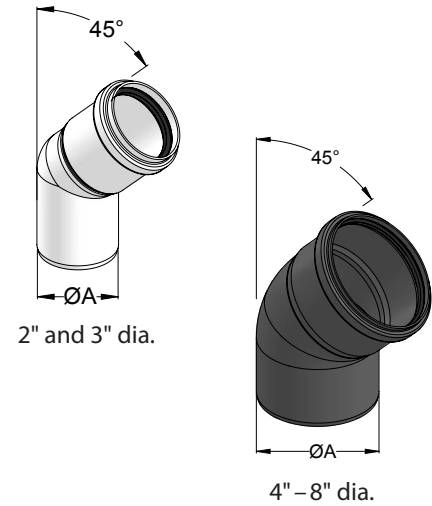
Elbows are non-UV resistant white polypropylene.

ITEM #	MODEL #	A" (mm)	CTN/QTY
190213	245PEL	2 (60)	12
190313	345PEL	3 (80)	12

4" – 8" Diameter

Elbows are UV resistant grey polypropylene.

ITEM #	MODEL #	A" (mm)	CTN/QTY
190413	445PEL	4 (110)	6
190513	545PEL	5 (125)	4
190613	645PEL	6 (160)	4
190813	845PEL	8 (200)	4



ELBOWS — 45° — UV (BLACK)

UV Resistant Polypropylene elbows with integrated gasket. Used to create offsets or changes in direction of the venting system. UV resistant elbows must always be used when the venting system could be subject to UV exposure.

ITEM #	MODEL #	A" (mm)	CTN/QTY
190214	245PELB	2 (60)	12
190314	345PELB	3 (80)	12



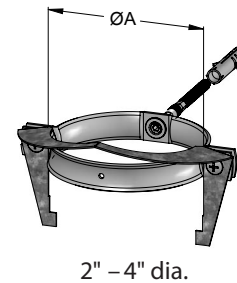
LOCKING CLAMPS — GALVANIZED

This innovative clamp/bracket combo not only secures joints together, but also doubles as a support bracket. The locking clamp also allows for up to 3/8" (10 mm) of thermal expansion at each joint, which is required for safe installation of polypropylene venting systems.

A locking clamp is required at each joint to secure connections between pipes and fittings.

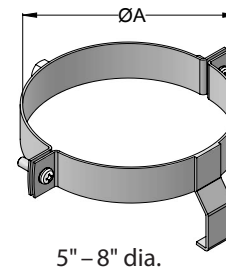
2" – 4" Diameter

ITEM #	MODEL #	A" (")	CTN/QTY
190220	2PPLC	2	15
190320	3PPLC	3	12
190420	4PPLC	4	12



5" – 8" Diameter

ITEM #	MODEL #	A" (")	CTN/QTY
190520	5PPLC	5	12
190620	6PPLC	6	6
190820	8PPLC	8	6



*Contact your factory representative for further dimensional information.

– E.&O.E. – Subject to Change Without Notice – May Not Be Available At All Locations –



ECCO POLYPROPYLENE VENT™ SINGLE WALL RIGID / FLEX VENTING

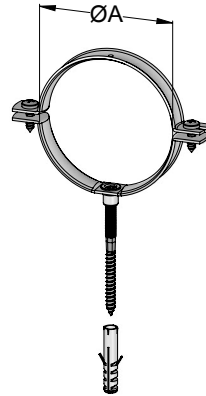
SUPPORT BRACKETS

Used to support single wall venting systems in vertical or horizontal configurations.

Maximum Support spacing:

Vertical: 78"

Horizontal: $\text{Ø}2" = 19" / \text{Ø}3" - \text{Ø}8" = 39"$



ITEM #	MODEL #	A" (mm)	APPLICABLE VENT DIAMETERS (")		CTN/QTY
			SINGLE WALL	CONCENTRIC	
190221	2PPB	2.38 (60)	2	–	12
190291	24PCB	3.94 (100)	–	2/4	12
190321	3PPB	3.15 (80)	3	–	12
190421	4PPB	4.33 (110)	4	–	12
190521	5PPB	4.90 (125)	5	3/5	12
190621	6PPB	6.30 (160)	6	4/6	6
190821	8PPB	7.88 (200)	8	–	6

ADJUSTABLE PIPE

Used to complete an installation when a standard length can't be used. An extended female socket depth allows for a variable installed length.

2" and 3" Diameter

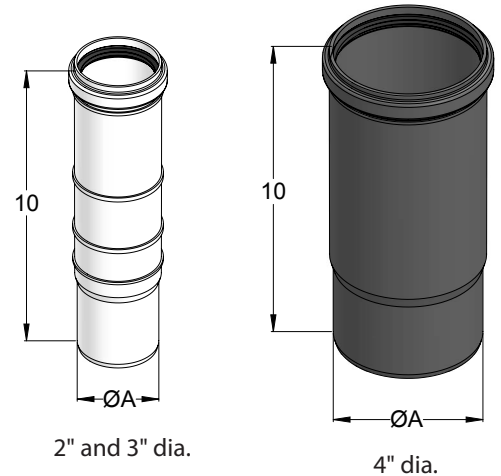
Adjustable pipes are non-UV resistant white polypropylene.

ITEM #	MODEL #	A" (mm)	CTN/QTY
190222	2PPADJ	2 (60)	6
190322	3PPADJ	3 (80)	6

4" Diameter

Adjustable pipes are UV resistant grey polypropylene.

ITEM #	MODEL #	A" (mm)	CTN/QTY
190422	4PPADJ	4 (110)	6



TEST PORTS

Installed directly on to the appliance flue connection. Allows for a technician to measure flue gases, and monitor appliance performance.

2" and 3" Diameter

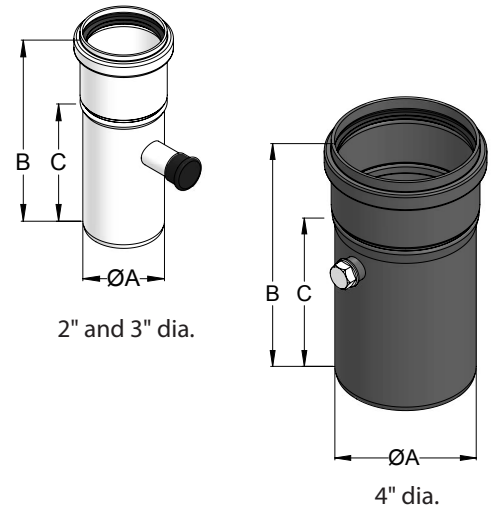
Test ports are non-UV resistant white polypropylene.

ITEM #	MODEL #	A" (mm)	B (")	C (")	CTN/QTY
190223	2PPTP	2 (60)	7	4.75	6
190323	3PPTP	3 (80)	7	4.75	6

4" Diameter

Test ports are UV resistant grey polypropylene.

ITEM #	MODEL #	A" (mm)	B (")	C (")	CTN/QTY
190423	4PPTP	4 (110)	8.5	6	4



*Contact your factory representative for further dimensional information.

– E.&O.E. – Subject to Change Without Notice – May Not Be Available At All Locations –



ECCO POLYPROPYLENE VENT™ SINGLE WALL RIGID / FLEX VENTING

CONDENSATE DRAINS

Used to drain condensate from the venting system.

2" and 3" Diameter

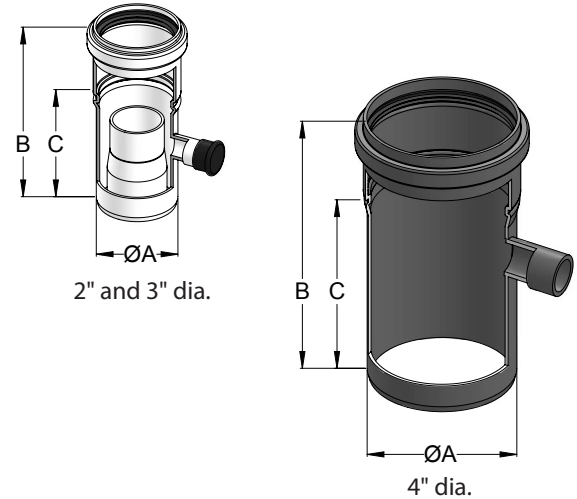
Condensate drains are non-UV resistant white polypropylene, and may be installed vertically or horizontally.

ITEM #	MODEL #	A" (mm)	B (")	C (")	CTN/QTY
190224	2PPCD	2 (60)	6	4.75	6
190324	3PPCD	3 (80)	6	4.75	6

4" Diameter

Condensate drains are UV resistant grey polypropylene, and may only be installed horizontally.

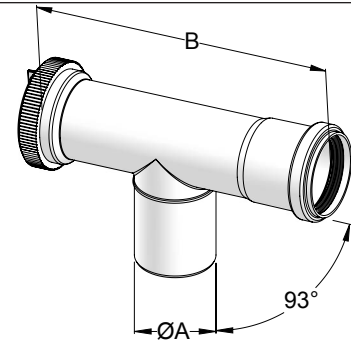
ITEM #	MODEL #	A" (mm)	B (")	C (")	CTN/QTY
190424	4PPCD	4 (110)	8.5	6	6



TEES WITH CAP

Used to change direction or venting system, and can also be used by a technician as an inspection port.

ITEM #	MODEL #	A" (mm)	B (")	CTN/QTY
190225	2PPT	2 (60)	9.5	6
190325	3PPT	3 (80)	9.5	6



INCREASERS

Used to increase vent system diameter. See appliance installation instructions.

2" – 3" and 3" – 4"

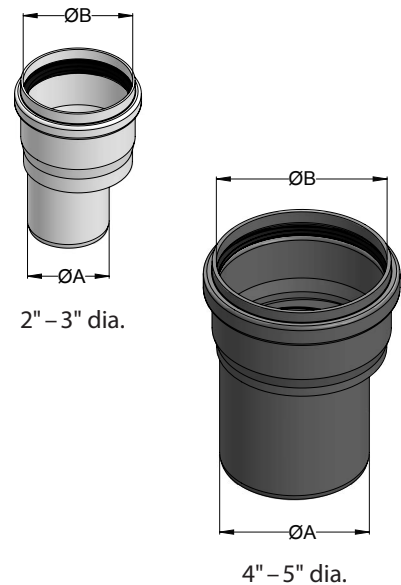
Increases are made of non-UV resistant polypropylene.

ITEM #	MODEL #	A" (mm)	B" (mm)	CTN/QTY
190226	203PINC	2 (60)	3 (80)	6
190326	304PINC	3 (80)	4 (110)	6

4" – 5", 5" – 6", and 6" – 8"

Increases are made from UV resistant grey polypropylene.

ITEM #	MODEL #	A" (mm)	B" (mm)	CTN/QTY
190426	405PINC	4 (110)	5 (125)	4
190526	506PINC	5 (125)	6 (160)	1
190626	608PINC	6 (160)	8 (200)	1



*Contact your factory representative for further dimensional information.

– E.&O.E. – Subject to Change Without Notice – May Not Be Available At All Locations –



ECCO POLYPROPYLENE VENT™ SINGLE WALL RIGID / FLEX VENTING

REDUCERS

Used to reduce the vent system diameter. See appliance installation instructions.

3" – 2" and 4" – 3"

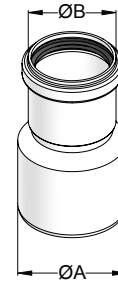
Reducers are made of non-UV resistant polypropylene.

ITEM #	MODEL #	A" (mm)	B" (mm)	CTN/QTY
190227	302PRED	3 (60)	2 (60)	6
190327	403PRED	4 (110)	3 (80)	6

5" – 4" and 8" – 6"

Reducers are made from UV resistant grey polypropylene.

ITEM #	MODEL #	A" (mm)	B" (mm)	CTN/QTY
190427	504PRED	5 (125)	4 (110)	4
190627	806PRED	8 (200)	6 (160)	1



3" – 2" dia.



5" – 4" dia.

CHIMNEY CAPS WITH PIPE LENGTH

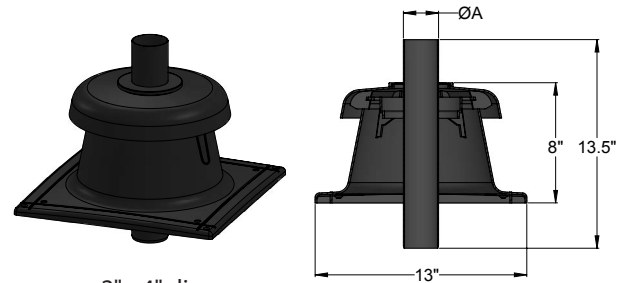
Used to terminate a polypropylene venting system installed into a masonry chimney. The cap is designed to suit direct vent configurations. The existing masonry flue can be utilized as a pipe for supply air.

2" – 4"

Chimney Caps are made of UV resistant black polypropylene. Comes with removable top.

ITEM #	MODEL #	A" (mm)	CTN/QTY
190229	2PPCC	2 (60)	*
190329	3PPCC	3 (80)	*
190429	4PPCC	4 (110)	*

*Product shipped individually.



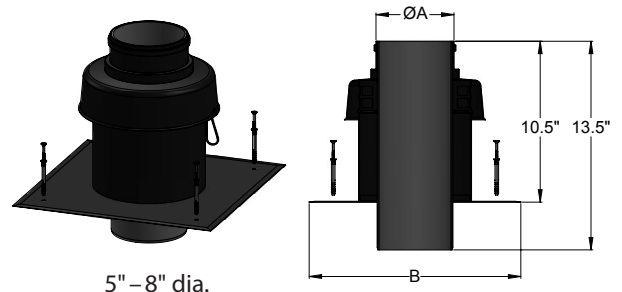
2" – 4" dia.

5" – 8"

Chimney Caps are made of galvanized steel and are powder coated black. Comes with removable top.

ITEM #	MODEL #	A" (mm)	B" (")	CTN/QTY
190529	5PPCC	5 (125)	14	*
190629	6PPCC	6 (160)	14	*
190829	8PPCC	8 (200)	19	*

*Product shipped individually.



5" – 8" dia.

*Contact your factory representative for further dimensional information.

– E.&O.E. – Subject to Change Without Notice – May Not Be Available At All Locations –



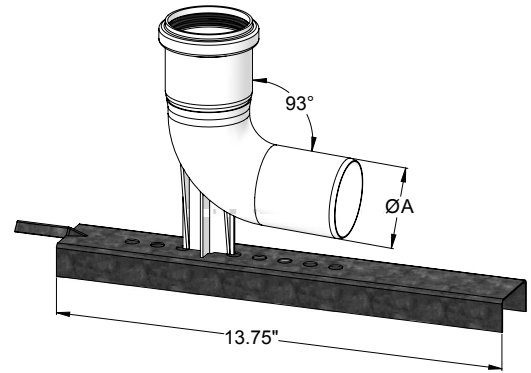
ECCO POLYPROPYLENE VENT™ SINGLE WALL RIGID / FLEX VENTING

SUPPORT ELBOWS WITH BRACKET

Used at base of chimney to support rigid or flex vent pipe used to reline an existing chimney or flue. Comes with an adjustable steel support bracket.

ITEM #	MODEL #	A" (mm)	CTN/QTY
190247	2PPELCS	2 (60)	*
190347	3PPELCS	3 (80)	*
190447	4PPELCS	4 (110)	*

*Product shipped individually.

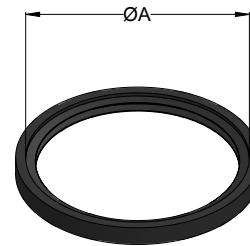


REPLACEMENT RIGID GASKETS — EPDM

Used to replace a missing or damaged gasket for rigid pipe lengths and components.

ITEM #	MODEL #	PIPE SIZE " (mm)	CTN/QTY
190230	2PPGR	2 (60)	*
190330	3PPGR	3 (80)	*
190430	4PPGR	4 (110)	*

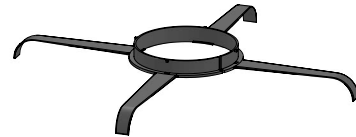
*Product shipped individually.



SPACING BRACKETS — RIGID PIPE

Used as a spacer to self-center the rigid pipe in a flue or chase.

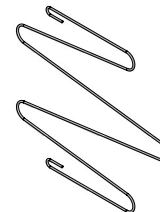
ITEM #	MODEL #	PIPE SIZE (")	CTN/QTY
190232	2PPS	2	2
190332	3PPS	3	2
190432	4PPS	4	2



WIRE SPRING GUARDS

Replaces gasket at the female end of any rigid pipe or fitting, preventing the entry of birds or rodents. Made of stainless steel.

ITEM #	MODEL #	PIPE SIZE (")	CTN/QTY
190234	2PPWG	2	24
190334	3PPWG	3	24



– E.&O.E. – Subject to Change Without Notice – May Not Be Available At All Locations –



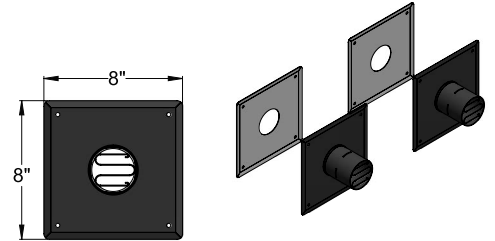
ECCO POLYPROPYLENE VENT™ SINGLE WALL RIGID / FLEX VENTING

TWIN PIPE WALL TERMINATION KITS

Used to terminate two single wall rigid pipes through an exterior wall. This kit does not include UV pipe lengths to provide the ability to use various lengths depending on the installation application. Additional UV pipe lengths and elbows can be added outside the building to extend or redirect intake and exhaust as needed. Separate plates allow for the termination kit to be configured to satisfy installation and code requirements.

Kit Includes

- (2) Exterior Wall Plates (black)
- (2) Interior Wall Plates (white)
- (2) Wire Bird/Rodent Guards



ITEM #	MODEL #	PIPE SIZE (")	CTN/QTY
190233	2PPWTK	2	*
190333	3PPWTK	3	*

*Product shipped individually.

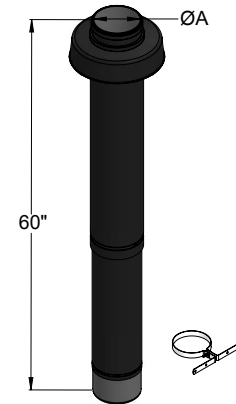
**Black UV Polypropylene Pipe Lengths not included.

SINGLE WALL VERTICAL TERMINATIONS

Used to terminate a single wall polypropylene venting system through the roof. Made of galvanized steel and powder coated black. Comes with installation bracket.

ITEM #	MODEL #	A" (mm)	CTN/QTY
190528	5PPVT	5 (125)	*
190628	6PPVT	6 (160)	*
190828	8PPVT	8 (200)	*

*Product shipped individually.



CONCENTRIC TO SINGLE WALL TWIN-PIPE ADAPTERS

Used to adapt concentric venting to a single wall twin-pipe configuration.

2" – 3"

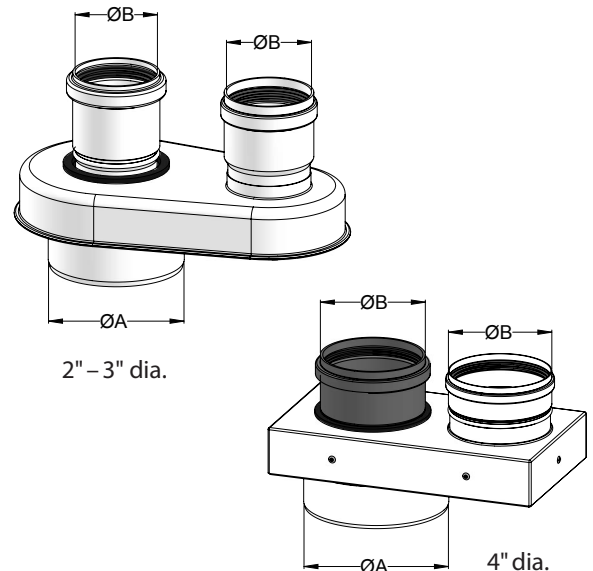
ITEM #	MODEL #	A" (mm)	B" (mm)	CTN/QTY
190910	24022AD	2/4 (60/100)	2 (60)	*
190920	35033AD	3/5 (80/125)	3 (80)	*

*Product shipped individually.

4"

ITEM #	MODEL #	A" (mm)	B" (mm)	CTN/QTY
190930	46044AD	4/6 (110/160)	4 (110)	*

*Product shipped individually.



– E.&O.E. – Subject to Change Without Notice – May Not Be Available At All Locations –



ECCO POLYPROPYLENE VENT™ SINGLE WALL RIGID / FLEX VENTING

SINGLE WALL TWIN-PIPE TO CONCENTRIC ADAPTERS

Used to adapt a single wall twin-pipe configuration to concentric venting.

2" – 3"

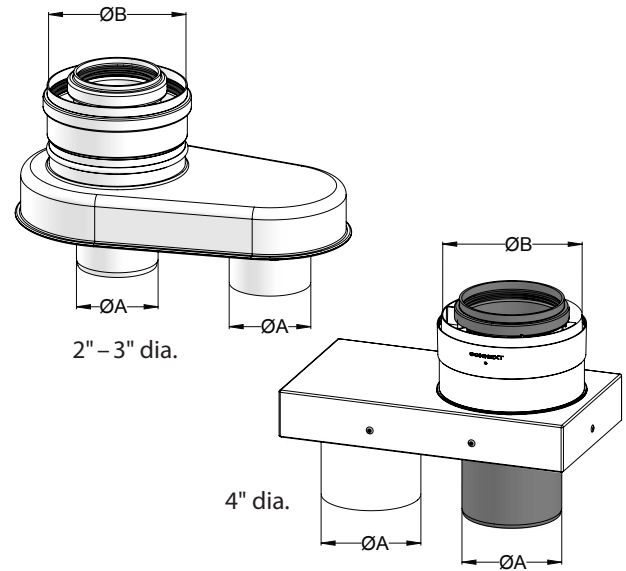
ITEM #	MODEL #	A" (mm)	B" (mm)	CTN/QTY
190911	22024AD	2 (60)	2/4 (60/100)	*
190921	33035AD	3 (80)	3/5 (80/125)	*

*Product shipped individually.

4"

ITEM #	MODEL #	A" (mm)	B" (mm)	CTN/QTY
190931	44046AD	4 (110)	4/6 (110/160)	*

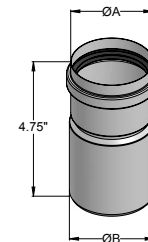
*Product shipped individually.



APPLIANCE ADAPTERS — STAINLESS STEEL

Used to connect ECCO Polypropylene Vent™ to an appliance outlet with an integrated gasket and clamp.

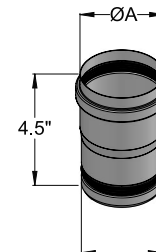
ITEM #	MODEL #	A" (mm)	B" (mm)	CTN/QTY
190912	2PPSSAD	2 (60)	2.50 (64)	6
190922	3PPSSAD	3 (80)	3.50 (89)	6
190932	4PPSSAD	4 (110)	4.50 (114)	4



APPLIANCE ADAPTERS — FEMALE PVC

Used to connect ECCO Polypropylene Vent™ to a female PVC appliance outlet.

ITEM #	MODEL #	A" (mm)	PVC SIZE	CTN/QTY
190913	2PPPVC	2 (60)	2" PVC	6
190923	3PPPVC	3 (80)	3" PVC	6



– E.&O.E. – Subject to Change Without Notice – May Not Be Available At All Locations –



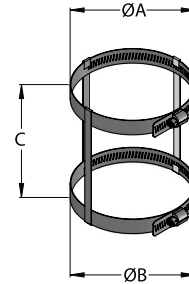
ECCO POLYPROPYLENE VENT™ SINGLE WALL RIGID / FLEX VENTING

ADAPTER CLAMPS

SINGLE WALL

Used to secure single wall pipe and fittings to each other, or to an appliance/appliance adapter.

ITEM #	MODEL #	A" (mm)	B" (mm)	C" (mm)	CTN/QTY
190218	2PPAC	2 (60)	2 (60)	4 (100)	12
190318	3PPAC	3 (80)	3 (80)	4 (100)	12
190418	4PPAC	4 (110)	4 (110)	4 (100)	12



CONCENTRIC

Used to secure single wall pipe and fittings to a concentric termination or a concentric adapter.

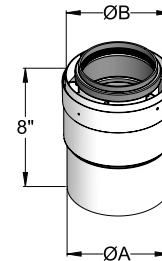
ITEM #	MODEL #	A" (mm)	B" (mm)	C" (mm)	CTN/QTY
190219	24PPAC	4 (110)	2 (60)	8 (200)	12
190319	35PPAC	5 (125)	3 (80)	8 (200)	12
190419	46PPAC	6 (160)	4 (110)	8 (200)	12

CONCENTRIC INCREASERS

Used to increase concentric vent system diameter.

ITEM #	MODEL #	A" (mm)	B" (mm)	CTN/QTY
190485	46CI	4/6 (110/150)	4/6 (110/160)	*

*Product shipped individually.

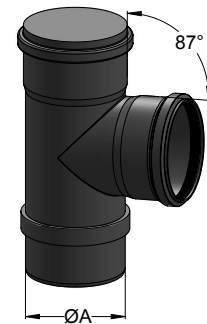


NON-RETURN VALVES

Prevents back-flow of flue gases into non-operating appliances in a common vented cascade system.

ITEM #	MODEL #	A" (mm)	CTN/QTY
190952	3PPNRV	3 (80)	*
190953	4PPNRV	4 (110)	*

*Product shipped individually.





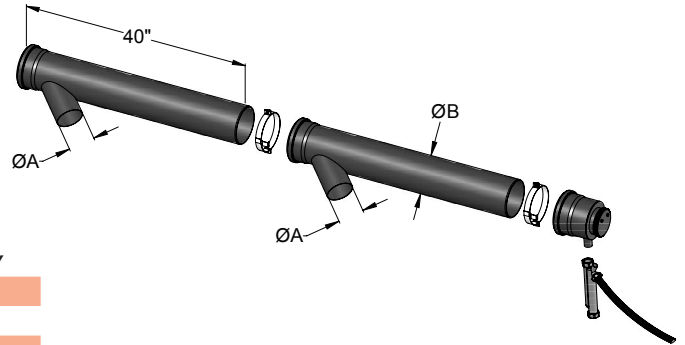
ECCO POLYPROPYLENE VENT™ SINGLE WALL RIGID / FLEX VENTING

CASCADE STARTER KITS

Contains necessary fittings and components for a cascade system; individual extensions are available when additional appliances need to be connected. Cascade Kit components are made from UV resistant grey polypropylene.

Kit Includes

- (2) 45° Wye Branch Trunks
- (1) Inspection End Cap with Drain
- (2) Locking Clamps
- (1) Siphon
- (1) Hose



ITEM #	MODEL #	A" (mm)	B" (mm)	CTN/QTY
190940	304CK	3 (80)	4 (110)	*
190942	305CK	3 (80)	5 (125)	*
190944	405CK	4 (110)	5 (125)	*
190946	306CK	3 (80)	6 (160)	*
190948	406CK	4 (110)	6 (160)	*
190950	408CK	4 (110)	8 (200)	*

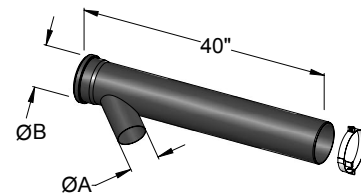
*Product shipped individually.

CASCADE EXTENSION KITS

Used to add an additional appliance to the cascade system. Cascade Kit components are made from UV resistant grey polypropylene.

Kit Includes

- (1) 45° Wye Branch Trunk
- (1) Locking Clamp



ITEM #	MODEL #	A" (mm)	B" (mm)	CTN/QTY
190941	304EK	3 (80)	4 (110)	*
190943	305EK	3 (80)	5 (125)	*
190945	405EK	4 (110)	5 (125)	*
190947	306EK	3 (80)	6 (160)	*
190949	406EK	4 (110)	6 (160)	*
190951	408EK	4 (110)	8 (200)	*

*Product shipped individually.



ECCO POLYPROPYLENE VENT™ SINGLE WALL RIGID / FLEX VENTING

CONCENTRIC TERMINATIONS

HORIZONTAL (WALL) TERMINATIONS

Used to terminate a polypropylene vent system horizontally through a wall. Designed for direct venting applications, and comes with wall seals. Can be cut to desired length. Exhaust nozzle is UV-resistant grey polypropylene, and is removable if offset kit is required.

2" – 3"

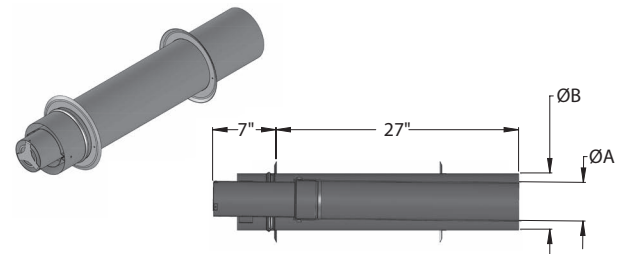
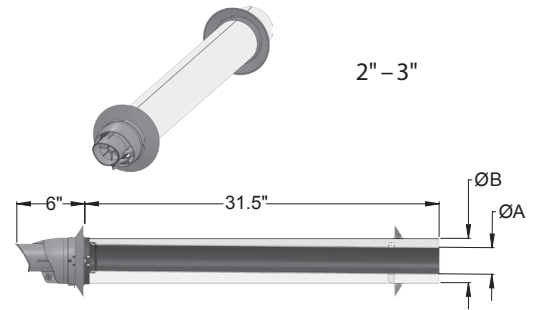
ITEM #	MODEL #	A" (mm)	B" (mm)	CTN/QTY
190288	24CWT	2 (60)	4 (100)	*
190388	35CWT	3 (80)	5 (125)	*

*Product shipped individually.

4"

ITEM #	MODEL #	A" (mm)	B" (mm)	CTN/QTY
190488	46CWT	4 (110)	6 (160)	*

*Product shipped individually.

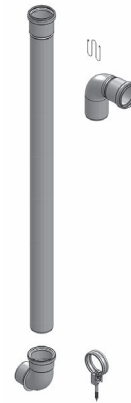


EXHAUST OFFSET FOR HORIZONTAL TERMINATIONS

Used to offset or relocate exhaust discharge location in travelled areas, or to comply with codes. Installs on to concentric horizontal termination.

ITEM #	MODEL #	FOR CONCENTRIC TERMINATION SIZE (")	CTN/QTY
190289	2PPOB	2/4	*
190389	3PPOB	3/5	*

*Product shipped individually.

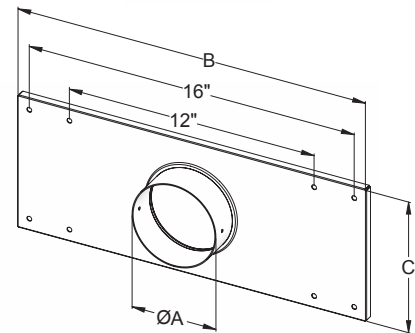


WALL PLATE FOR HORIZONTAL TERMINATIONS

Used to trim and support a concentric horizontal termination on the inside of a building.

ITEM #	MODEL #	A" (mm)	B" (")	C" (")	CTN/QTY
190290	24CWTP	4 (100)	17	6.625	*
190390	35CWTP	5 (125)	17	8	*
190490	46CWTP	6 (160)	17	9	*

*Product shipped individually.

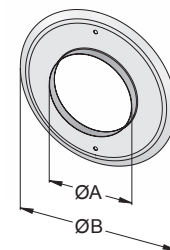


WALL PLATES

Used to trim concentric venting when it passes through a wall.

ITEM #	MODEL #	A" (mm)	B" (")	CTN/QTY
190292	24CWP	4 (100)	6.625	15
190392	35CWP	5 (125)	9	12
190492	46CWP	6 (160)	9	6

*Product shipped individually.



– E.&O.E. – Subject to Change Without Notice – May Not Be Available At All Locations –



ECCO POLYPROPYLENE VENT™ SINGLE WALL RIGID / FLEX VENTING

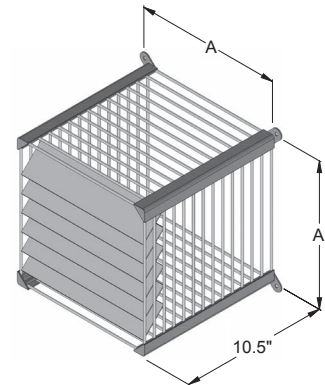
CONCENTRIC TERMINATIONS (cont'd)

HORIZONTAL (WALL) TERMINATION GUARDS

Mounts to exterior of building to protect horizontal termination from birds, rodents, and damage. Required by some codes.

ITEM #	MODEL #	A (")	CONCENTRIC WALL TERMINATION SIZE (")	CTN/QTY
190293	24CSSWG	7 × 7	2/4	*
190393	35CSSWG	8 × 8	3/5	*
190493	46CSSWG	9 × 9	4/6	*

*Product shipped individually.



VERTICAL (ROOF) TERMINATIONS

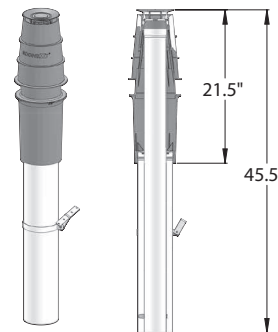
Used to terminate a polypropylene vent system vertically through a flat or sloped roof. Designed for direct venting applications, and comes with a mounting bracket.

2"/4" and 3"/5"

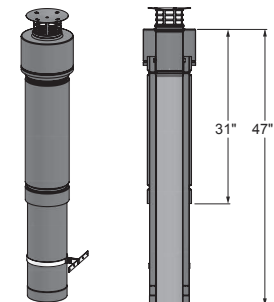
Terminations are made of UV-resistant black polypropylene.

ITEM #	MODEL #	A" (mm)	B" (mm)	CTN/QTY
190295	24CVT	2 (60)	4 (100)	*
190395	35CVT	3 (80)	5 (125)	*

*Product shipped individually.



2"/4" and 3"/5"



4"/6"

4"/6"

Terminations are made of galvanized steel and powder coated black.

ITEM #	MODEL #	A" (mm)	B" (mm)	CTN/QTY
190495	46CVT	4 (110)	6 (160)	*

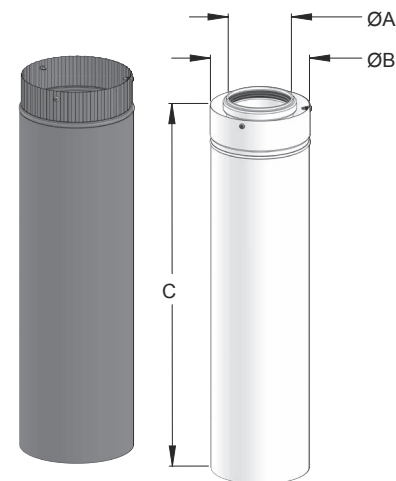
*Product shipped individually.

VERTICAL (ROOF) TERMINATION EXTENSIONS

Used to increase height of a concentric vertical termination above the roof line if required. Inner pipe is concentric venting pipe, and outer is a black powder coated extension sleeve made of galvanized steel. Additional support may be required.

ITEM #	MODEL #	A" (mm)	B" (mm)	C (")	VERTICAL TERMINATION SIZE (")	CTN/QTY
190296	2440VTE	2 (60)	4 (100)	40	2/4	*
190297	2420VTE	2 (60)	4 (100)	20	2/4	*
190396	3540VTE	3 (80)	5 (125)	40	3/5	*
190397	3520VTE	3 (80)	5 (125)	20	3/5	*

*Product shipped individually.



-E.O.E. - Subject to Change Without Notice - May Not Be Available At All Locations -



ECCO POLYPROPYLENE VENT™ SINGLE WALL RIGID / FLEX VENTING

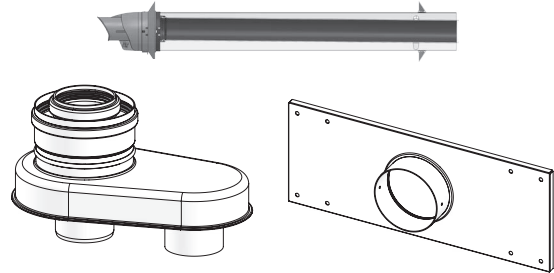
CONCENTRIC TERMINATIONS *(cont'd)*

HORIZONTAL (WALL) TERMINATION KIT

Includes components to complete a concentric horizontal installation.

Kit Includes

- (1) Horizontal (Wall) Concentric termination
- (1) Twin Pipe to concentric adapter
- (1) Wall plate for horizontal termination



ITEM #	MODEL #	CONCENTRIC WALL TERMINATION SIZES (")	CTN/QTY
190283	24CHTK	2/4	*
190383	35CHTK	3/5	*
190483	46CHTK	4/6	*

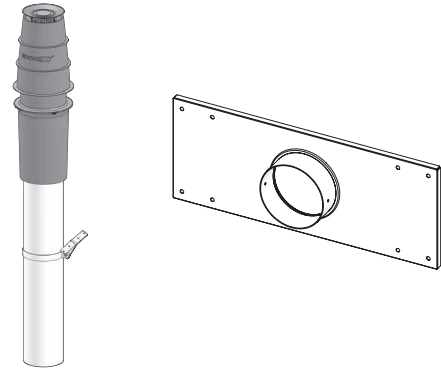
*Product shipped individually.

VERTICAL TERMINATION KIT

Includes components to complete a concentric vertical installation.

Kit Includes

- (1) Vertical (roof) Concentric termination
- (1) Twin Pipe to concentric adapter



ITEM #	MODEL #	VERTICAL TERMINATION SIZE (")	CTN/QTY
190284	24CVTK	2/4	*
190384	35CVTK	3/5	*
190484	46CVTK	4/6	*

*Product shipped in



ECCO POLYPROPYLENE VENT™ SINGLE WALL RIGID / FLEX VENTING

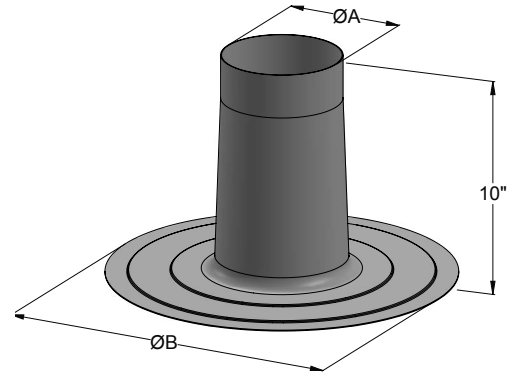
CONCENTRIC TERMINATIONS (cont'd)

FLAT ROOF FLASHINGS

Used when a vertical termination passes through a flat roof. No storm collar required.

ITEM #	MODEL #	A (")	B (")	VERTICAL TERMINATION SIZE (")	CTN/QTY
190294	CFF	5.3	15	2/4 and 3/5	*
190494	46CFF	6.9	17	4/6	*
190594	5PPFF	6	15	5	*
190694	6PPFF	7	17	6	*
190894	8PPFF	9	19	8	*

*Product shipped individually.

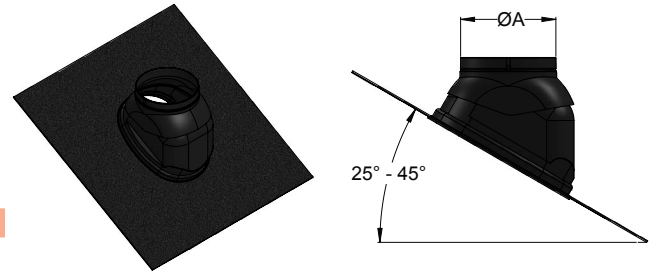


ADJUSTABLE ROOF FLASHINGS — 5/12 – 12/12 (25° – 45°)

Used when a vertical termination passes through a sloped roof, no storm collar required. Flashing material is trimable asphalt and is flexible to conform to any style of roofing material.

ITEM #	MODEL #	A (")	VERTICAL TERMINATION SIZE (")	CTN/QTY
190298	CARF	5.3	2/4 and 3/5	*
190498	46CARF	6.9	4/6	*

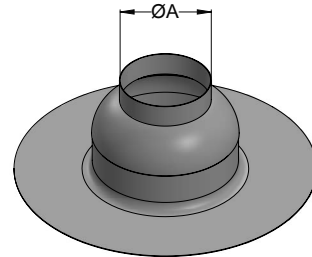
*Product shipped individually.



FLAT/LOW PITCH ADJUSTABLE FLASHINGS — FLAT — 5/12 (0° – 25°)

ITEM #	MODEL #	A (")	VERTICAL TERMINATION SIZE (")	CTN/QTY
190299	CFAF	5.3	2/4 and 3/5	*

*Product shipped individually.





ECCO POLYPROPYLENE VENT™ SINGLE WALL RIGID / FLEX VENTING

ECCO POLYPROPYLENE VENT™ SINGLE WALL FLEXIBLE VENTING

INTRODUCTION

Specifications

- Manufactured from flame retardant polypropylene
- Resistant up to 248°F (120°C)
- Operates in negative and positive pressure modes
- Not UV resistant
- Designed as a vertical flue system installation, but is safe to run at angles up to 45° from vertical
- Available in nominal diameters of 2" (60 mm), 3" (80 mm), and 4" (110 mm)
- Available in white
- System approval 20" of water column or 5000 Pa (0.725 psi)
- Flexible
- Specially designed for connection to condensing gas heating appliances
- Ideal for use within service ducts or existing chimney shafts where internal angles or bends figure in the flue route

Advantages

- Easy to install
- Coupling connectors which allow easy joining of shorter lengths, virtually eliminating waste
- Low weight system
- Compact packaging due to great flexibility
- Wide range of accessories

Safety

For safe installation of the ECCO Polypropylene Vent™ Flexible Venting System, please refer to the installation instructions.

Environment

- Less CO₂ is produced in polypropylene flue gas systems compared to traditional metal flue gas systems.
- Completely recyclable

Installation

- Certified to ULC-S636 standard for Class IIC rating (exhaust temperatures up to 230°F (110°C)).
- Certified diameters are 2" (60 mm), 3" (80 mm), and 4" (110 mm)
- ECCO Polypropylene Vent™ is a vent system for type BH gas venting, for use with ANSI Category II and IV gas burning appliances (condensing boilers) with a maximum flue gas temperature of 230°F (110°C).
- Installation must conform to all relevant local, State, Provincial or National codes.
- Guaranteed up to a maximum flue gas temperature of 248°F (120°C)
- Maximum allowable deflection (bend) of the flexible vent is 45°, so that condensate does not collect in the corrugations.
- Appliances can be operated immediately upon the completion of ECCO Polypropylene Vent™ installation.
- Vent pipe is rated to a maximum of 20" of water column, or 5000 Pa (0.725psi).
- Minimum clearance to combustibles is 0"
- Unless approved by the appliance manufacturer, only one appliance may be attached to the vent system.
- Do not use ECCO Polypropylene Vent™ with any other manufacturer's vent components – it must be used exclusively throughout the entire vent system.



ECCO POLYPROPYLENE VENT™ SINGLE WALL RIGID / FLEX VENTING

FLEX RELINING KITS

Used when a masonry chimney is relined with flexible polypropylene vent. The cap is designed to suit direct vent configurations. The existing masonry flue can be utilized as a pipe for supply air. Flex available separately.

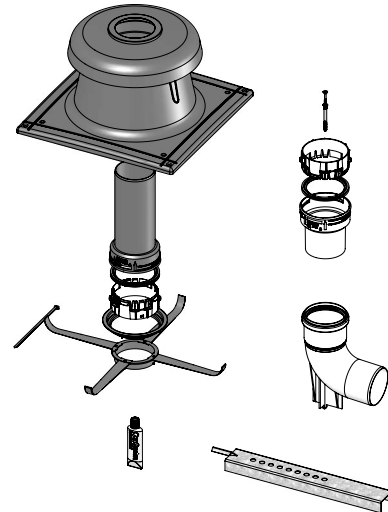
Kit Includes

- (1) Chimney Cap
- (5) Flex Spacers
- (1) Support Elbow and Bracket
- (1) Male Adapter
- (1) UV Pipe with Flex Connection

Installation Hardware

ITEM #	MODEL #	FLEX SIZE " (mm)	CTN/QTY
190236	2PPFK	2 (60)	*
190336	3PPFK	3 (80)	*
190436	4PPFK	4 (110)	*

*Product shipped individually.

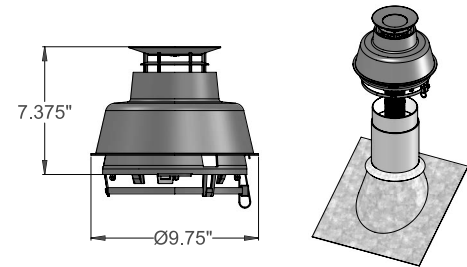


B-VENT RETROFIT FLEX CAPS

Used to terminate a flex system when retrofitting existing B-vent or other existing round flue with polypropylene flex. The existing round venting, or factory built chimney can be utilized as a chase. In most cases, the existing roof penetration and flashing can be re-purposed.

ITEM #	MODEL #	FLEX SIZE " (mm)	B-VENT DIAMETERS (")	CTN/QTY
190235	2PPFBVC	2	5, 6, 8	*
190335	3PPFBVC	3	5, 6, 8	*

*Product shipped individually.

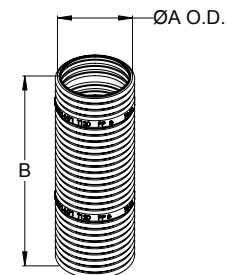


FLEX PIPES

Used to reline existing masonry or factory built venting systems. Comes in various length coils, and can be cut to any desirable length, or coupled together.

ITEM #	MODEL #	FLEX SIZE " (mm)	A (")	B (')	CTN/QTY
190237	240PPF	2 (60)	2.3	40	*
190238	280PPF	2 (60)	2.3	80	*
190337	340PPF	3 (80)	3.3	40	*
190338	380PPF	3 (80)	3.3	80	*
190437	448PPF	4 (110)	4.3	48	*
190438	480PPF	4 (110)	4.3	80	*

*Product shipped individually.



*Contact your factory representative for further dimensional information.

– E.&O.E. – Subject to Change Without Notice – May Not Be Available At All Locations –



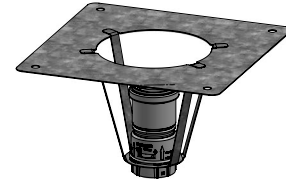
ECCO POLYPROPYLENE VENT™ SINGLE WALL RIGID / FLEX VENTING

FEMALE ADAPTERS — FLEX TO RIGID

Used to adapt flex into rigid pipe. Comes with Support Plate for top of chimney.

ITEM #	MODEL #	FLEX SIZE " (mm)	CTN/QTY
190241	2PPFFA	2 (60)	*
190341	3PPFFA	3 (80)	*
190441	4PPFFA	4 (110)	*

*Product shipped individually.

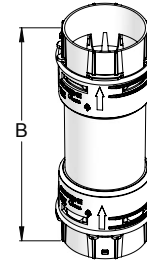


COUPLERS

Used to join two lengths of flex pipe together to form a longer length.

ITEM #	MODEL #	FLEX SIZE " (mm)	B (")	CTN/QTY
190242	2PPFC	2 (60)	7.3	*
190342	3PPFC	3 (80)	7.3	*
190442	4PPFC	4 (110)	7.3	*

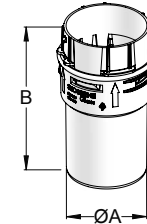
*Product shipped individually.



MALE ADAPTERS — RIGID TO FLEX

Used to adapt rigid pipe to flex. Typically used to connect rigid pipe to flex at the bottom of a chimney.

ITEM #	MODEL #	FLEX SIZE " (mm)	A" (mm)	B (")	CTN/QTY
190244	2PPFRM	2 (60)	2 (60)	4.8	6
190344	3PPFRM	3 (80)	3 (80)	4.8	6
190444	4PPFRM	4 (110)	4 (110)	4.8	6

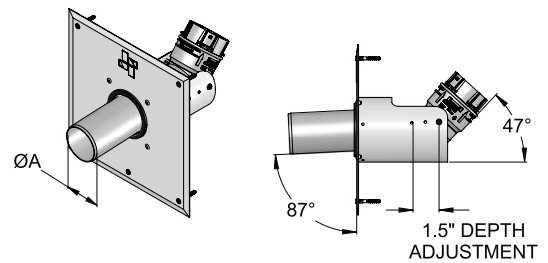


CHIMNEY BEND — SINGLE PIPE TO FLEX

Used to connect a single rigid pipe to flex pipe installed in a masonry chimney or chase. An adjustable depth flex bend with integrated flex coupling allows for easy connection of flex pipe.

ITEM #	MODEL #	A" (mm)	FLEX SIZE (")	CTN/QTY
190917	202FCB	2 (60)	2	*
190927	303FCB	3 (80)	3	*

*Product shipped individually.





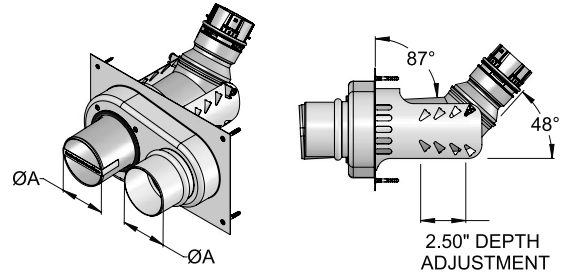
ECCO POLYPROPYLENE VENT™ SINGLE WALL RIGID / FLEX VENTING

CHIMNEY BEND — TWIN PIPE TO FLEX

Used to connect a twin pipe rigid system to flex pipe installed in a masonry chimney or chase. An adjustable depth flex bend with integrated flex coupling allows for easy connection of flex pipe. The intake collar allows supply air to be drawn from the existing chase or chimney.

ITEM #	MODEL #	A" (mm)	FLEX SIZE (")	CTN/QTY
190915	3302FCB	3 (80)	2	*
190925	3303FCB	3 (80)	3	*

*Product shipped individually.

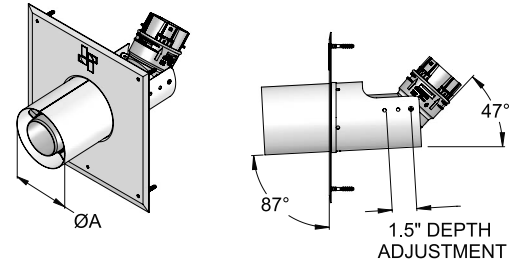


CHIMNEY BEND — CONCENTRIC TO FLEX

Used to connect a concentric system or adapter to flex pipe installed in a masonry chimney or chase. An adjustable depth flex bend with integrated flex coupling allows for easy connection of flex pipe. This configuration allows supply air to be drawn from the existing flue or chase.

ITEM #	MODEL #	A" (mm)	FLEX SIZE (")	CTN/QTY
190916	2402FCB	2 (60)	2	*
190926	3503FCB	3 (80)	3	*

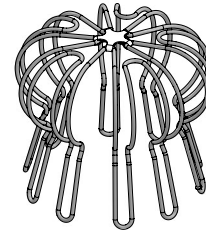
*Product shipped individually.



BIRD GUARDS

Installs into rigid or flex chimney cap pipe to prevent entry of birds, rodents and debris.

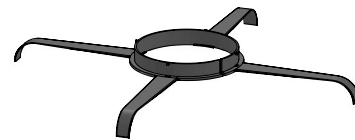
ITEM #	MODEL #	CHIMNEY CAP SIZE" (mm)	CTN/QTY
190245	2PPSSG	2 (60)	6
190345	3PPSSG	3 (80)	6
190445	4PPSSG	4 (110)	6



SPACING BRACKETS — FLEX PIPE

Used as a spacer to self-center the flex in a flue or chase.

ITEM #	MODEL #	FLEX SIZE (")	CTN/QTY
190246	2PPFS	2	12
190346	3PPFS	3	12
190446	4PPFS	4	12



– E.&O.E. – Subject to Change Without Notice – May Not Be Available At All Locations –



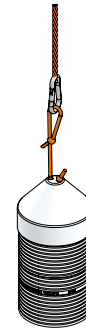
ECCO POLYPROPYLENE VENT™ SINGLE WALL RIGID / FLEX VENTING

FLEX PULLER TOOLS

Used to install flex into an existing chimney or flue. Flex pipe sold separately.

ITEM #	MODEL #	FLEX SIZE " (mm)	CTN/QTY
190243	2PPFP	2 (60)	*
190343	3PPFP	3 (80)	*
190443	4PPFP	4 (110)	*

*Product shipped individually.

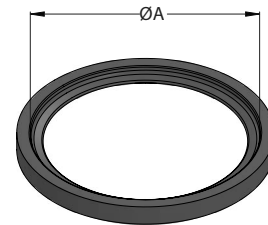


REPLACEMENT FLEX GASKETS — VITON

Used to replace a missing or damaged gasket in flex components.

ITEM #	MODEL #	FLEX SIZE " (mm)	CTN/QTY
190255	2PPGF	2 (60)	*
190355	3PPGF	3 (80)	*
190455	4PPGF	4 (110)	*

*Product shipped individually.



GASKET LUBRICANT

Special chloride-free lubricant, recommended for all joints with a gasket. Applied to gaskets to ease assembly of pipes and components.

ITEM #	MODEL #	CTN/QTY
190900	PPGL	*

*Product shipped individually.





**Engineered
Craftsmanship**
Since 1960

www.eccomfg.com

Langley Distribution

19860 Fraser Highway
Langley, British Columbia
Canada V3A 4C9

Phone: 604-530-4151
Toll Free: 1-877-955-4805
Fax: 604-533-9335

Calgary Distribution

21 – 11150 38th Street, S.E.
Calgary, Alberta
Canada T2C 2Z6

Phone: 403-720-0895
Toll Free: 1-877-955-4815
Fax: 403-720-0897

Kent Distribution

20001 87th Ave. S, Bldg E
Kent, Washington
USA 98031

Phone: 253-872-3721
Toll Free: 1-800-207-6859
Fax: 253-872-3724

ECCO SPECIAL GAS VENT



ECCO™ is proud to be a member of:



SMACNA
Sheet Metal and Air
Conditioning Contractors'
National Association
www.smacna.org



HRAI
Heating, Refrigeration and
Air Conditioning
Institute of Canada
www.hrai.ca



HARDI
Heating, Air-conditioning
& Refrigeration
Distributors International
www.hardinet.org



ADI
Air
Distribution
Institute
www.steelduct.org



AD
Affiliated Distributors™
www.adhq.com



**Canadian
Manufacturers &
Exporters**
CME
Canadian
Manufacturers &
Exporters
www.cme-mec.ca



SPIDA
Spiral Duct
Manufacturers
Association
www.spida.org



INDEX

ADAPTERS	
PVC START — APS	B4-7
UNIVERSAL — AOS	B4-6
BANDS	
LIGHT SUPPORT — LSB	B4-7
LOCKING — LB	B4-6
CONE FLASHINGS	
FLAT — FF	B4-8
VARIABLE PITCHED — PF	B4-9
DRAIN TUBE KITS — DK	B4-6
ELBOWS	
45° — E45	B4-5
87° — E87	B4-4
FIRESTOP SPACERS — FS	B4-7
HIGH STRENGTH CLAMPS — C	B4-6
INTRODUCTION	B4-3
OPEN TERMINATIONS WITH SCREEN — OT	B4-7
PIPE LENGTHS	
CUT — LC	B4-4
FIXED — L	B4-4
RAIN CAPS	
HIGH WIND — RCCS	B4-8
ROOF JACKS	
FLAT CONE — FRJ	B4-9
VARIABLE PITCH — PRJ	B4-9
STORM COLLARS — SC	B4-8
TAPERED ECCENTRIC INCREASERS — EI	B4-5
TAPERED ECCENTRIC REDUCERS — ER	B4-5
TERMINATION ELBOWS WITH SCREEN — ET	B4-8
UNIVERSAL DRAIN LENGTHS — LU	B4-5
WALL THIMBLES — WT	B4-7

– E.&O.E. – Subject to Change Without Notice – May Not Be Available At All Locations –



INTRODUCTION

Specifications

- Diameters 3" and 4"
- Maximum internal pressure of 90" water column (22,400 Pascal)
- Made of super ferritic stainless steel

Advantages

- Complete line of stainless steel special gas vent
- No gasket or sealant required for sealing joint
- Largest steel-to-steel connection amongst competition
- Certified for use as a Class IIC and Class IIB vent system
- Tapered male and female ends are precision-formed to connect without requiring sealant
- All fittings and components are TIG welded to ensure a strong, gas-tight weld

Safety

- Refer to installation instructions for proper installation and clearances
- To ensure installation remains completely sealed, the SG ceramic paste and a locking band must be used at each joint connection; only if the installation instructions are followed can a safe, gas-tight installation be assured

Listings

UL-1738 Standard, Venting Systems for Gas-Burning Appliances, Categories II, III and IV. Under this Listing and in a category known as "Special Gas Vents", all variations of Model SGSW have been determined suitable for venting Category II, III and IV gas-fired appliances Listed in accordance with certain ANSI gas appliance standards. In this application Model SGSW is suitable for use at a temperature not exceeding 550°F (288°C) continuously and with a maximum internal pressure of 90 Inch water column (22,400 Pascal).

ULC-S636 (Canadian) Standard for Type BH Gas Venting Systems. Under this (c-UL) Listing and in a category known as "Type BH Vents", all variations of Models SGSW have been determined suitable for venting certain gas fired appliances producing flue gas temperatures not exceeding 245°C (473°F) and positive internal pressures not exceeding 22,400 Pascals (90 Inch water column).

Installation Overview

- Factory built stainless steel venting system for gas-fired appliances listed as Category II, III or IV
- Can be used on high efficiency gas boilers, furnaces, unit heaters, pool heaters, and tankless water heaters
- Always refer to the appliance's instructions to determine proper sizing and connection of the venting system to the appliance
- Always refer to the appliance's instructions to determine limitations with respect to installation and use, such as maximum horizontal length from the appliance, maximum height, joining of two or more parts to constitute the intended assembly, maximum number of offsets in the assembly, and the required installation air space clearances
- Any horizontally installed portion of a venting system shall have a slope (upwards for Category II, III, or IV appliances or downwards for Category III or IV appliances) not less than 1/4" (0.64 mm) every 12" (304.8 mm) to prevent collection of condensate at any location of the assembly; as an option, the installer may also use ECCO Manufacturing™ 87° elbows and fittings that will create a slope of 5/8" (15.9 mm) per every 12" (0.64 mm)
- Unless approved by the appliance manufacturer, only one appliance may be connected to the vent system
- Do not use ECCO Special Gas Vent with any other manufacturer's vent components – it must be used exclusively throughout the system
- Installation must conform to all relevant, local, state/provincial, and national codes
- SG Paste is a ceramic lubricating and assembly paste whose purpose is to help guide the pipe connections to assure the best steel to steel connection and to seal the joint by allowing the ceramic to fill any microscopic steel imperfections – on fittings it will help the installer rotate to the correct position before tapping in place

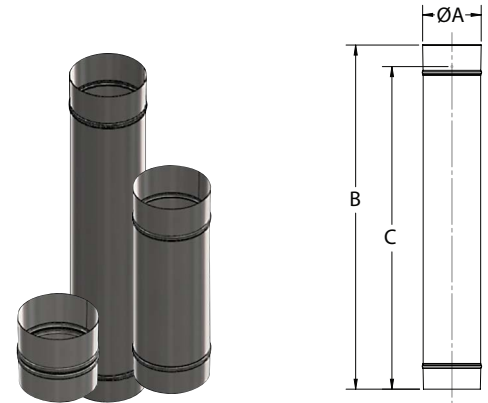


ECCO SPECIAL GAS VENT

FIXED PIPE LENGTHS — L

Rigid Pipe Length. Comes with Locking Band.

ITEM #	MODEL #	A (")	B (")	C (")	WT/100 (LBS)	CTN/QTY
613502	SGSW3L06	3	6	3.6	50	20
613504	SGSW3L12	3	12	9.8	110	20
613505	SGSW3L18	3	18	15.6	170	20
613506	SGSW3L24	3	24	21.8	220	20
613507	SGSW3L30	3	30	27.8	280	20
613508	SGSW3L36	3	36	33.8	340	20
613602	SGSW4L06	4	6	3.6	70	12
613604	SGSW4L12	4	12	9.8	150	12
613605	SGSW4L18	4	18	15.6	230	12
613606	SGSW4L24	4	24	21.8	300	12
613607	SGSW4L30	4	30	27.8	380	12
613608	SGSW4L36	4	36	33.8	450	12
613702	SGSW5L06	5	6	3.6	90	7
613704	SGSW5L12	5	12	9.8	190	7
613705	SGSW5L18	5	18	15.8	280	7
613706	SGSW5L24	5	24	21.8	380	7
613707	SGSW5L30	5	30	27.8	470	7
613708	SGSW5L36	5	36	33.8	570	7



CUT PIPE LENGTHS — LC

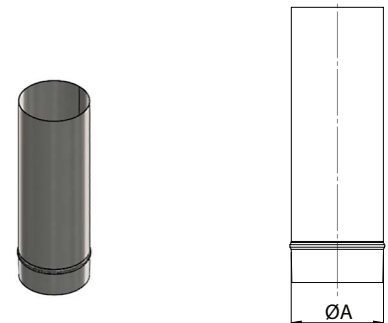
Cut Pipe Lengths are specifically engineered to be field cut to desired length. This permits the greatest flexibility for length adjustment in complicated installations. Comes with Locking Band.

Installed Length Range

18" Length: 5.3" – 15.8"

30" Length: 5.3" – 27.8"

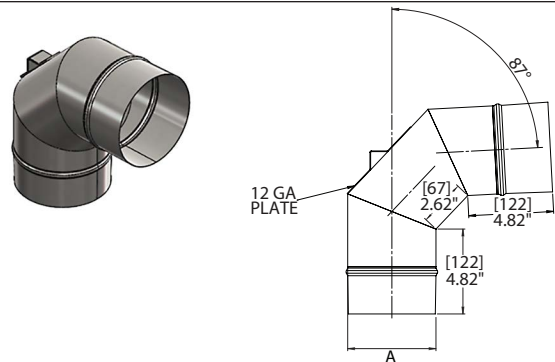
ITEM #	MODEL #	A (")	WT/100 (LBS)	CTN/QTY
613512	SGSW3LC18	3	170	20
613514	SGSW3LC30	3	280	20
613612	SGSW4LC18	4	220	12
613614	SGSW4LC30	4	380	12
613712	SGSW5LC18	5	280	7
613714	SGSW5LC30	5	470	7



ELBOWS — 87° — E87

Elbows may be used singularly or in combination to provide changes in direction or offsets. Comes with integrated knock plate for installation. Includes a Locking Band.

ITEM #	MODEL #	A (")	WT/100 (LBS)	CTN/QTY
613524	SGSW3E87	3	151	6
613624	SGSW4E87	4	210	10
613724	SGSW5E87	5	273	8

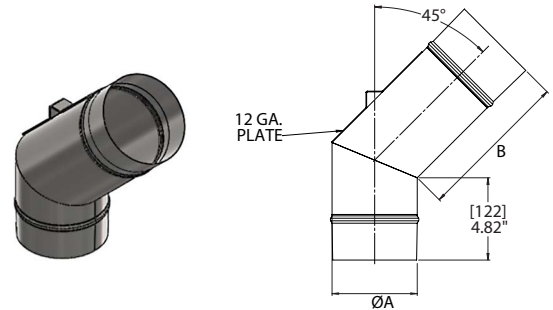


– E.&O.E. – Subject to Change Without Notice – May Not Be Available At All Locations –

ELBOWS — 45° — E45

Elbows may be used singularly or in combination to provide changes in direction or offsets. Comes with integrated knock plate for installation. Includes a Locking Band.

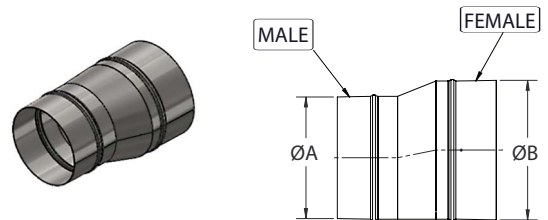
ITEM #	MODEL #	A (")	B (")	WT/100 (LBS)	CTN/QTY
613522	SGSW3E45	3	4.65	139	12
613622	SGSW4E45	4	6.07	202	8
613722	SGSW5E45	5	7.48	273	9



TAPERED ECCENTRIC INCREASERS — EI

Tapered Eccentric Increasers keep the same low point, or are flat on bottom. They also create a slight centerline offset if used in the vertical installation.

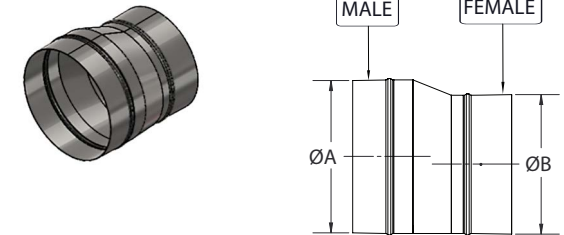
ITEM #	MODEL #	A (")	B (")	WT/100 (LBS)	CTN/QTY
613581	SGSW3EI	3	4	140	12



TAPERED ECCENTRIC REDUCERS — ER

Tapered Eccentric Reducers keep the same low point, or are flat on bottom. They also create a slight centerline offset if used in the vertical installation.

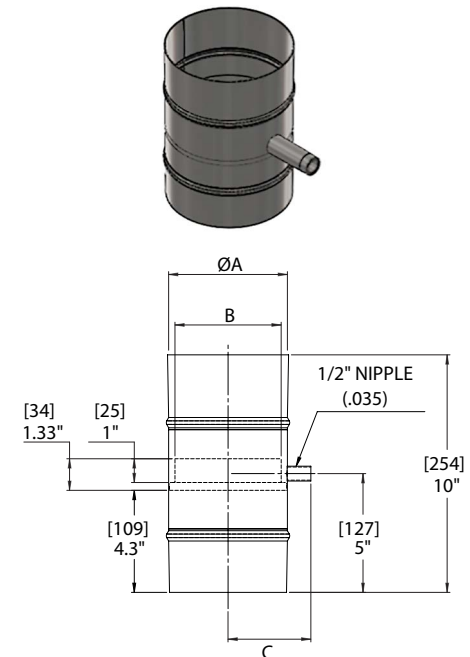
ITEM #	MODEL #	A (")	B (")	WT/100 (LBS)	CTN/QTY
613685	SGSW4ER	4	3	140	12
613785	SGSW5ER	5	4	180	5



UNIVERSAL DRAIN LENGTHS — LU

Universal Drain Lengths trap all rain water or condensation inside the pipe via an internal dam and routes to an external 1" NPT nipple (See Drain Tube Kit). This works in both horizontal and vertical configurations.

ITEM #	MODEL #	A (")	B (")	C (")	WT/100 (LBS)	CTN/QTY
613516	SGSW3LU	3	2.47	2.5	104	12
613616	SGSW4LU	4	3.47	3	139	8
613716	SGSW5LU	5	4.47	3.5	174	7



– E.&O.E. – Subject to Change Without Notice – May Not Be Available At All Locations –

DRAIN TUBE KITS — DK

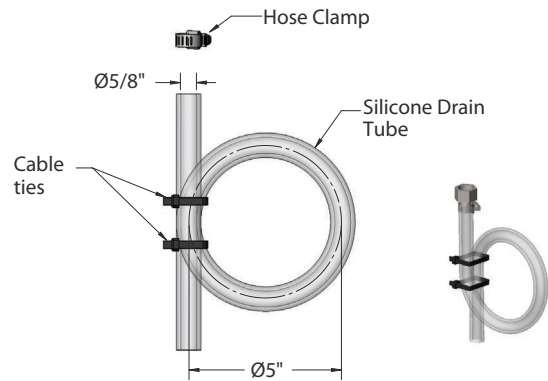
Drain Tube Kits connect to the nipple on Universal Drain Lengths to carry condensate or water to a drain.

Contents

- (1) Hose clamp
- (1) 5/8" Silicone Tube in 10' length
- (2) Cable ties

ITEM #	MODEL #	TUBE LENGTH (FT)	CTN/QTY
613582	SGSWDK	10	*

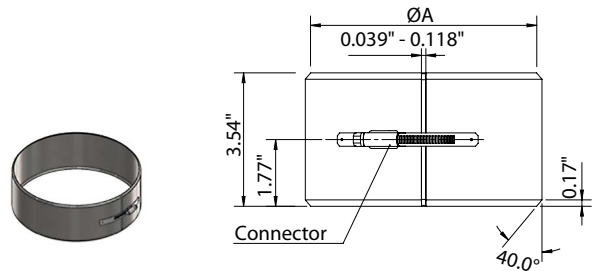
* Product shipped individually.



LOCKING BANDS — LB

Locking Bands are required at each joint. Most pipe lengths and fittings include a locking band, but additional locking bands may be required for some components and installations.

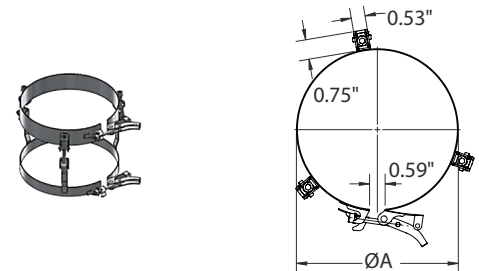
ITEM #	MODEL #	A (")	WT/100 (LBS)	CTN/QTY
613555	SGSW3LB	3	40	52
613655	SGSW4LB	4	50	27
613755	SGSW5LB	5	60	6



HIGH STRENGTH CLAMPS — C

Heavy Duty Clamps can be used to secure the vent system to appliances or adapters, or when additional strength is required at a connection.

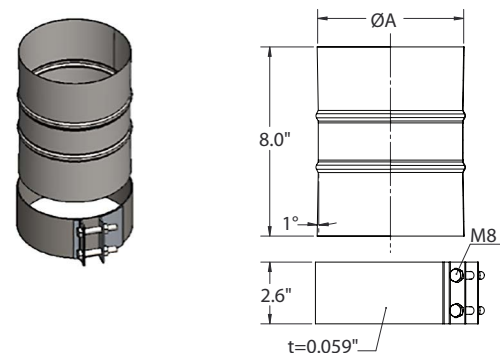
ITEM #	MODEL #	FITS VENT SIZE (")	WT/100 (LBS)	CTN/QTY
613554	SGSW3C	3	32	30
613654	SGSW4C	4	34	14
613754	SGSW5C	5	42	12



ADAPTERS — UNIVERSAL — AOS

Connect venting to a nominal collar on the outside of the appliance collar. The adapter is split and uses hardware to tighten against the outside of the collar. Use approved sealant for gas tight connection.

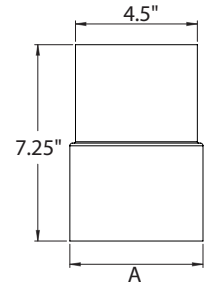
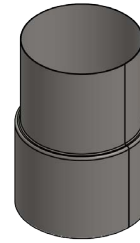
ITEM #	MODEL #	A (")	WT/100 (LBS)	CTN/QTY
613547	SGSW3AOS	3	150	15
613647	SGSW4AOS	4	190	9
613747	SGSW5AOS	5	230	6



ADAPTERS — PVC START — APS

Connect venting to a female PVC collar. Use approved sealant for gas tight connection. If additional clamping is required, a high strength clamp may be used.

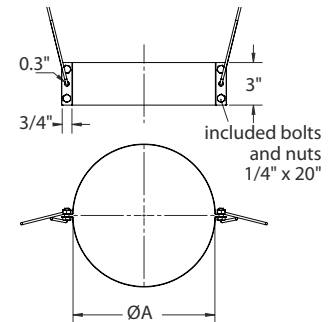
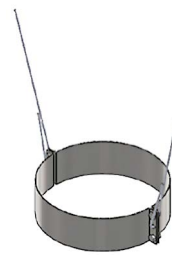
ITEM #	MODEL #	A (")	WT/100 (LBS)	CTN/QTY
613580	SGSW3APS	3	53	15
613680	SGSW4APS	4	57	9
613780	SGSW5APS	5	63	6



LIGHT SUPPORT BANDS — LSB

Light Support Bands are used to support and guide the venting system in horizontal or vertical installations.

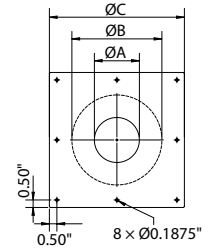
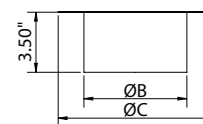
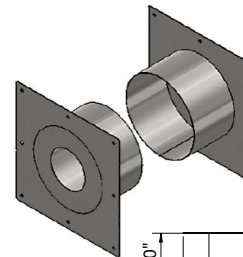
ITEM #	MODEL #	A (")	WT/100 (LBS)	CTN/QTY
613556	SGSW3LSB	3	60	51
613656	SGSW4LSB	4	80	27
613756	SGSW5LSB	5	90	27



WALL THIMBLES — WT

Wall Thimbles are used to maintain proper clearances when penetrating combustible interior or exterior walls. The telescopic design allows for installation into varying wall thicknesses. Non-combustible wall penetrations do not require a thimble.

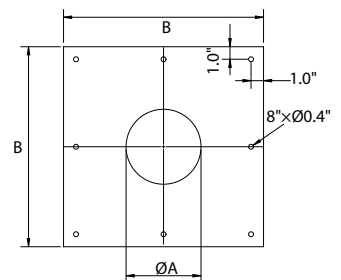
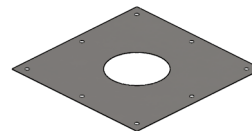
ITEM #	MODEL #	A (")	B (")	C (")	WT/100 (LBS)	CTN/QTY
613558	SGSW3WT	3	6	9	100	6
613658	SGSW4WT	4	6	9	90	6
613758	SGSW5WT	5	8	11	80	6



FIRESTOP SPACERS — FS

Firestop Spacers are for use when penetrating a non-fire resistance rated ceiling or floor in installations where a separate fire rated enclosure is not required.

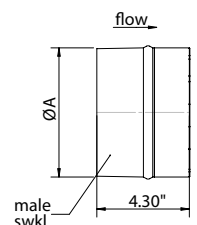
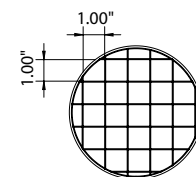
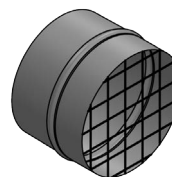
ITEM #	MODEL #	A (")	B (")	WT/100 (LBS)	CTN/QTY
613552	SGSW3FS	3	11	80	5
613652	SGSW4FS	4	12	90	5
613752	SGSW5FS	5	15	140	5



OPEN TERMINATIONS WITH SCREEN — OT

Open Terminations with screen can be used for a horizontal or vertical termination. The screen prevents entry of birds and rodents.

ITEM #	MODEL #	A (")	WT/100 (LBS)	CTN/QTY
613572	SGSW3OT	3	180	42
613672	SGSW4OT	4	240	24
613772	SGW5OT	5	310	6



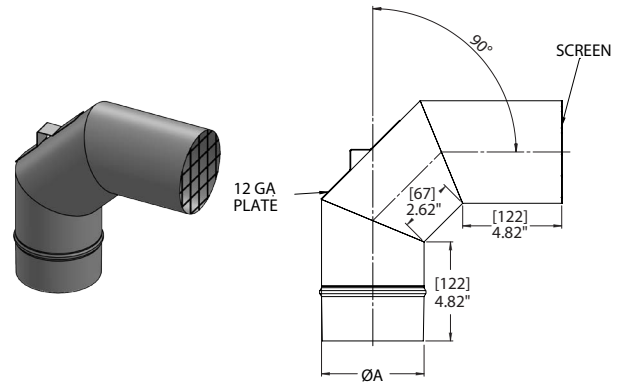
– E.&O.E. – Subject to Change Without Notice – May Not Be Available At All Locations –

TERMINATION ELBOWS WITH SCREEN — ET

Elbow Terminations are used for sidewall terminations or at the end of a vertical stack as specified by certain appliance manufacturers. The screen prevents entry of birds and rodents. Comes with integrated knock plate for installation.

90 Degree

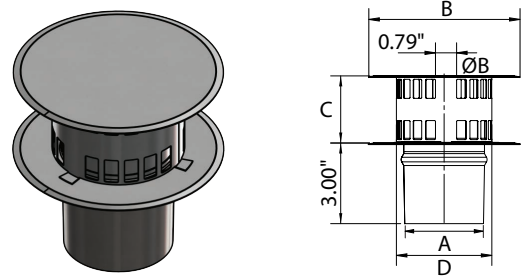
ITEM #	MODEL #	A (")	WT/100 (LBS)	CTN/QTY
613578	SGSW3ET90	3	153	6
613678	SGSW4ET90	4	225	10
613778	SGSW5ET90	5	278	8



HIGH WIND RAIN CAPS — RCCS

High Wind Rain Caps are premium rain caps, with improved performance in high wind conditions.

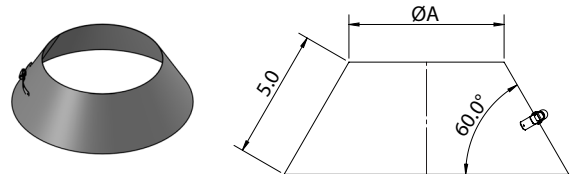
ITEM #	MODEL #	A (")	B (")	C (")	D (")	WT/100 (LBS)	CTN/QTY
613570	SGSW3RCCS	3	5.5	2.45	3.5	66	3
613670	SGSW4RCCS	4	6.5	3.45	4.65	93	2
613770	SGSW5RCCS	5	7.5	4.45	5.91	120	3



STORM COLLARS — SC

The storm collar is installed above the roof flashing to prevent entry of water. An approved sealant may also be used.

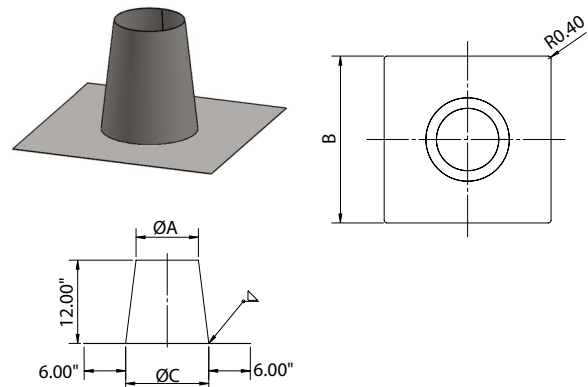
ITEM #	MODEL #	A (")	WT/100 (LBS)	CTN/QTY
613564	SGSW3SC	3	90	12
613664	SGSW4SC	4	100	12
613764	SGSW5SC	5	120	12



FLAT CONE FLASHINGS — FF

The flat cone flashing is used as a flashing when penetrating a flat to 1/12 roof. The flat cone roof flashing is designed to be installed with a flat cone roof jack and storm collar.

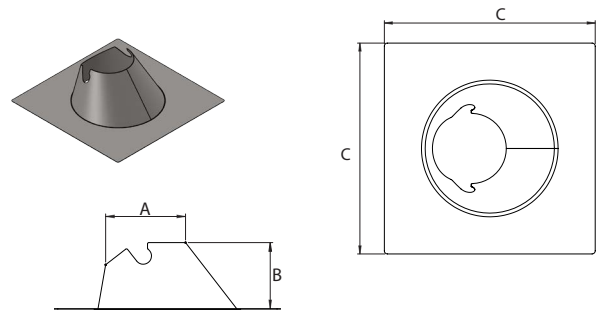
ITEM #	MODEL #	SIZE (")	A (")	B (")	C (")	WT/100 (LBS)	CTN/QTY
613583	SGSW3FF	3	6	21	9	450	6
613683	SGSW4FF	4	7	22	10	490	6
613783	SGSW5FF	5	8	23	11	540	6



VARIABLE PITCHED CONE FLASHINGS — PF

The variable pitched cone flashing is used as a flashing when penetrating a sloped roof up to 7/12 pitch. The variable pitched cone flashing is designed to be installed with a variable pitched cone roof jack and storm collar.

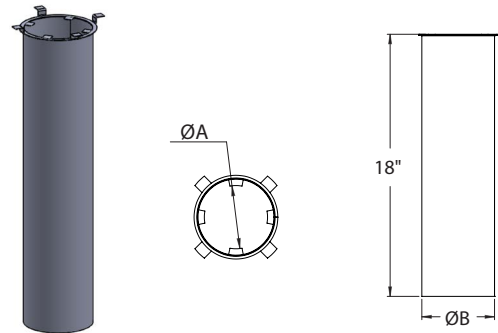
ITEM #	MODEL #	A (")	B (")	C (")	WT/100 (LBS)	CTN/QTY
613584	SGSW3PF	5	5	16	222	6
613684	SGSW4PF	6	5	17	246	6
613784	SGSW5PF	7	5	18	271	6



FLAT CONE ROOF JACKS — FRJ

The flat cone roof jack is a heat shield which maintains required clearance to combustibles, and is used in combination with a flat cone roof flashing.

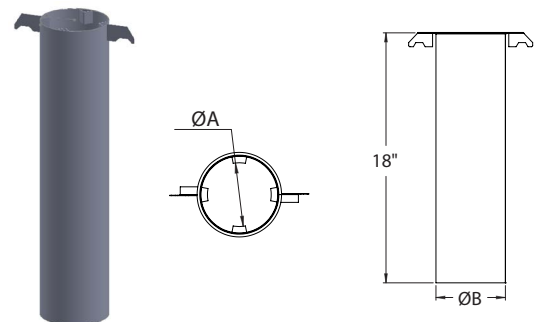
ITEM #	MODEL #	A (")	B (")	WT/100 (LBS)	CTN/QTY
613586	SGSW3FRJ	3	4	363	6
613686	SGSW4FRJ	4	5	408	6
613786	SGSW5FRJ	5	6	453	6



VARIABLE PITCH ROOF JACKS — PRJ

The variable pitch roof jack is a heat shield which maintains required clearance to combustibles, and is used in combination with a variable pitch roof flashing. The design allows it to maintain centerline with the vent pipe as it penetrates the roof line.

ITEM #	MODEL #	A (")	B (")	WT/100 (LBS)	CTN/QTY
613587	SGSW3PRJ	3	4	235	6
613687	SGSW4PRJ	4	5	294	6
613787	SGSW5PRJ	5	6	351	6



CERAMIC LUBRICANT AND PASTE — SG

ITEM #	MODEL #	SIZE (OZ)	WT/100 (LBS)	CTN/QTY
613500	SG	3.5	22	10





www.eccomfg.com

Langley Distribution

19860 Fraser Highway
Langley, British Columbia
Canada V3A 4C9

Phone: 604-530-4151
Toll Free: 1-877-955-4805
Fax: 604-533-9335

Calgary Distribution

21 – 11150 38th Street, S.E.
Calgary, Alberta
Canada T2C 2Z6

Phone: 403-720-0895
Toll Free: 1-877-955-4815
Fax: 403-720-0897

Kent Distribution

20001 87th Ave. S, Bldg E
Kent, Washington
USA 98031

Phone: 253-872-3721
Toll Free: 1-800-207-6859
Fax: 253-872-3724

ALUMINUM PRODUCTS



ECCO™ is proud to be a member of:



SMACNA
Sheet Metal and Air
Conditioning Contractors'
National Association
www.smacna.org



HRAI
Heating, Refrigeration and
Air Conditioning
Institute of Canada
www.hrai.ca



HARDI
Heating, Air-conditioning
& Refrigeration
Distributors International
www.hardinet.org



ADI
Air
Distribution
Institute
www.steelduct.org



AD
Affiliated Distributors™
www.adhq.com



CME
Canadian
Manufacturers &
Exporters
www.cme-mec.ca



SPIDA
Spiral Duct
Manufacturers
Association
www.spida.org



INDEX

45° SADDLE WYES	C1-5
90° ELBOWS	C1-3
90° TEE STUBS — LESS SADDLE.....	C1-6
CHIMNEY LINERS	
2-PLY	C1-7
2-PLY — CARTON	C1-7
CAP ASSEMBLY	C1-9
CAP ASSEMBLY — 5" EXTENSION.....	C1-8
EXTENSIONS — 2-PLY — WITH COUPLER.....	C1-9
KITS.....	C1-8
CHINA CAPS.....	C1-6
DRYER VENT HOODS	C1-6
ECCO-FLEX DUCTING — 1-PLY	C1-6
FLEX COUPLERS	C1-7
FLEX VENT SPACERS	C1-7
INCREASERS — SPUN	C1-4
PIPE — SNAP LOCK.....	C1-3
PLUGS/TEE CAPS — SPUN.....	C1-5
REDUCERS — SPUN.....	C1-4
TEE REDUCERS.....	C1-3
TEE REDUCERS WITH TABS.....	C1-4
VENT TEES.....	C1-4
WYE BRANCHES	C1-5

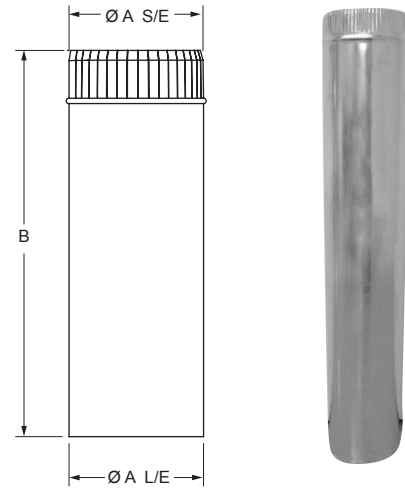
LEGEND

NOTE: The boxed columns throughout the tables are intended to provide a quick determination of ordering dimensions.

ABBREVIATIONS: CTN/QTY = Carton Quantity
 WT/100 = Weight per 100 Pieces
 WT/100 FT = Weight per 100 Feet
 PCS/BNDL = Pieces per Bundle
 LGTH/CTN = Length per Bundle

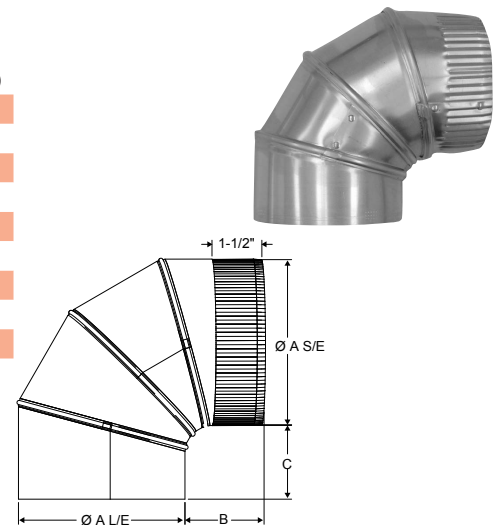
PIPE — SNAP LOCK

ITEM #	SIZE (")	THICKNESS	A (")	B (")	GA	PCS/BNDL	WT/100 FT
301200	3 × 24	.016	3	24	26	50/Ctn	20
301300	4 × 24	.016	4	24	26	50/Ctn	26
301252	3 × 36	.020	3	36	24	30	27
301351	4 × 36	.020	4	36	24	30	34
301254	3 × 60	.020	3	60	24	25	27
301352	4 × 36	.025	4	36	22	30	43
301452	5 × 36	.025	5	36	22	30	40
301462	6 × 36	.025	6	36	22	30	50
301472	7 × 36	.025	7	36	22	30	56
301482	8 × 36	.025	8	36	22	30	63
301483	9 × 36	.025	9	36	22	30	70
301484	10 × 36	.025	10	36	22	30	75
301498	12 × 36	.025	12	36	22	30	89
301500	14 × 36	.025	14	36	20	30	104
301354	4 × 60	.025	4	60	22	50	43
301485	5 × 60	.025	5	60	22	50	40
301486	6 × 60	.025	6	60	22	50	50
301487	7 × 60	.025	7	60	22	50	56
301488	8 × 60	.025	8	60	22	50	63



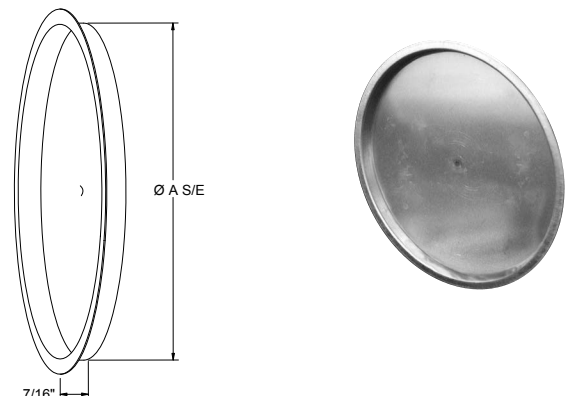
90° ELBOWS

ITEM #	SIZE	THICKNESS	GA	A (")	B (")	C (")	CTN/QTY	WT/100
302002	3" × 90°	.020	24	3	2-11/16	2-11/16	20	20
302102	4" × 90°	.025	22	4	2-7/8	2-3/8	20	37
302202	5" × 90°	.025	22	5	2-5/8	2-1/8	20	35
302302	6" × 90°	.025	22	6	2-11/16	2-11/16	20	65
302402	7" × 90°	.025	22	7	2-7/8	2-3/4	12/Bndl	59
302502	8" × 90°	.025	22	8	3	3-1/4	12/Bndl	75
302702	10" × 90°	.025	22	10	3-1/8	3-1/8	4/Bndl	102
302802	12" × 90°	.025	22	12	3-1/2	4-1/8	4/Bndl	150
302902	14" × 90°	.025	20	13-15/16	3-3/4	4-1/2	4/Bndl	168



TEE REDUCERS

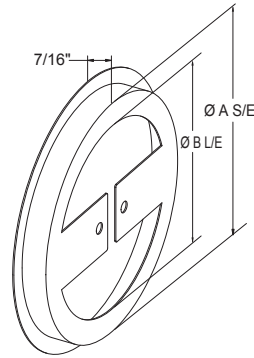
ITEM #	SIZE (")	A (")	CTN/QTY	WT/100
309304	4	4	50	6
309305	5	5	50	10
309306	6	6	50	11
309307	7	7	50	17
309308	8	8	50	18



- E.&O.E. - Subject to Change Without Notice - May Not Be Available At All Locations -

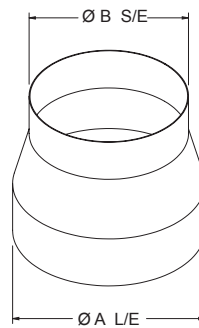
TEE REDUCERS WITH TABS

ITEM #	SIZE (")	A (")	B (")	CTN/QTY	WT/100
309404	4-3	4	3	50	10
309405	5-4	5	4	50	6
309406	6-4	6	4	50	9



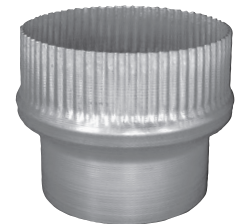
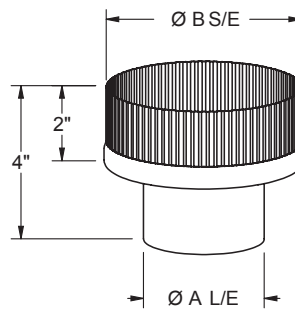
REDUCERS — SPUN

ITEM #	SIZE (")	A (")	B (")	CTN/QTY	WT/100
132800	4-3	4	3	20	18
132700	5-4	5	4	20	23
132650	6-4	6	4	20	33
132600	6-5	6	5	20	30
132500	7-4	7	4	10	40
132400	7-5	7	5	10	50
132300	7-6	7	6	10	40
132200	8-6	8	6	10	60
132100	8-7	8	7	10	53



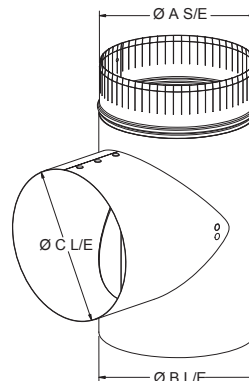
INCREASERS — SPUN

ITEM #	SIZE (")	A (")	B (")	CTN/QTY	WT/100
304543	3-4	3	4	20	14
304553	3-5	3	5	20	19
304554	4-5	4	5	20	19
304564	4-6	4	6	20	26
304574	4-7	4	7	10	33
304565	5-6	5	6	20	24
304575	5-7	5	7	10	33
304576	6-7	6	7	10	36
304586	6-8	6	8	10	32
304587	7-8	7	8	10	30



VENT TEES

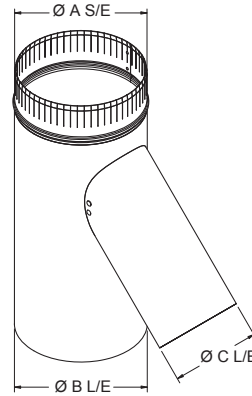
ITEM #	SIZE (")	A (")	B (")	C (")	CTN/QTY	WT/100
304403	3 x 3 x 3	3	3	3	20	46
304404	4 x 4 x 4	4	4	4	20	50
304405	5 x 5 x 5	5	5	5	20	62
304406	6 x 6 x 6	6	6	6	20	72



-E.&O.E. - Subject to Change Without Notice - May Not Be Available At All Locations -

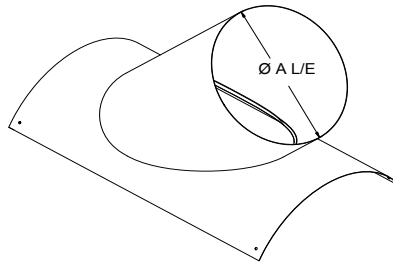
WYE BRANCHES

ITEM #	SIZE (")	A (")	B (")	C (")	CTN/QTY	WT/100
304424	4 x 4 x 4	4	4	4	20	38
304436	5 x 4 x 3	5	4	3	20	38
304437	5 x 4 x 4	5	4	4	20	42
304425	5 x 5 x 5	5	5	5	20	48
304438	6 x 4 x 3	6	4	3	20	48
304440	6 x 5 x 3	6	5	3	20	42
304441	6 x 5 x 4	6	5	4	20	48
304426	6 x 6 x 6	6	6	6	10	64
304442	7 x 5 x 3	7	5	3	10	50
304444	7 x 6 x 3	7	6	3	10	52
304445	7 x 6 x 4	7	6	4	10	54
304427	7 x 7 x 7	7	7	7	10	78



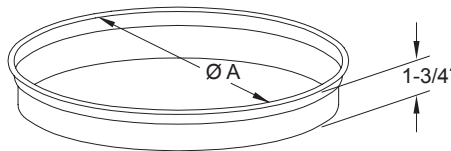
45° SADDLE WYES

ITEM #	SIZE	A (")	CTN/QTY	WT/100
304103	3" x 45°	3	20	25
304104	4" x 45°	4	20	30
304105	5" x 45°	5	10	58
304106	6" x 45°	6	10	58



PLUGS/TEE CAPS — SPUN

ITEM #	SIZE (")	A (")	CTN/QTY	WT/100
350903	3	3	20	10
350904	4	4	20	10
350905	5	5	20	15
350906	6	6	20	20
350907	7	7	20	26
350908	8	8	20	32
350909	9	9	20	35
350910	10	10	20	40
350912	12	12	10	64
350914	14	14	10	70
350916	16	16	10	106
350918	18	18	10	105
350920	20	20	*	133
350922	22	22	*	156
350924	24	24	*	179

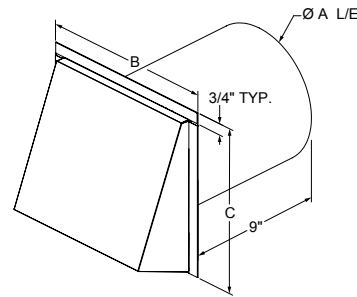


*Product shipped individually.

NOTES: Large end to fit over spiral pipe, + 1/8" (Cap)
 Small end to fit in spiral pipe, - 1/8" (Plug)
 Other sizes available upon request.

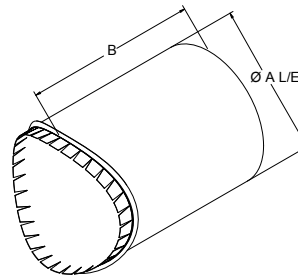
DRYER VENT HOODS

ITEM #	SIZE (")	A (")	B (")	C (")	CTN/QTY	WT/100
310100	3	3	6-3/4	6-5/16	20	48
310200	4	4	6-3/4	6-5/16	20	59
310300	5	5	8-5/8	7-11/16	20	60



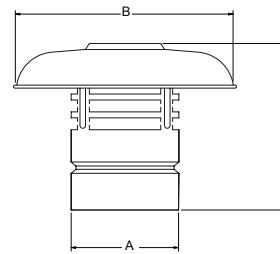
90° TEE STUBS — LESS SADDLE

ITEM #	SIZE (")	A (")	B (")	CTN/QTY	WT/100
304204	4	4	9-1/4	20	8
304205	5	5	9-3/4	20	10
304206	6	6	10	20	14



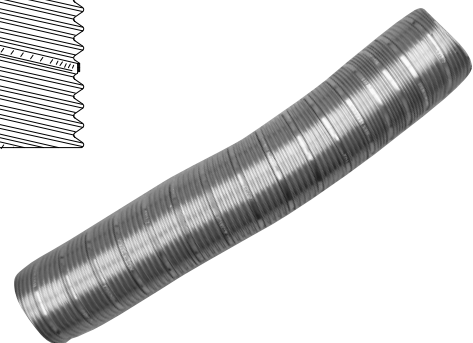
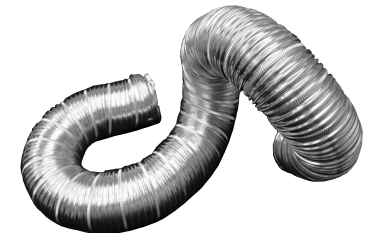
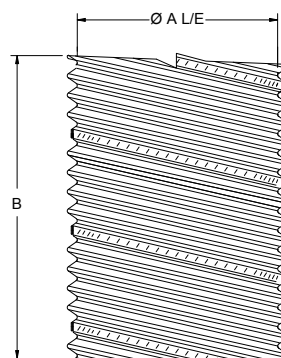
CHINA CAPS

ITEM #	SIZE (")	A (")	B (")	C (")	CTN/QTY	WT/100
304004	4	4	7-3/4	6	20	48
304005	5	5	9	6	20	55
304006	6	6	10-1/4	6	20	69
304007	7	7	12-1/4	6	10	80
304008	8	8	12-1/4	6	10	100



ECCO-FLEX DUCTING — 1-PLY

ITEM #	SIZE (")	A (")	B (")	CTN/QTY	WT/100 FT
300703	3	3	120	350	13
300704	4	4	120	200	16
300705	5	5	120	130	21
300706	6	6	120	90	24
300707	7	7	120	60	32
300708	8	8	120	50	34
300709	9	9	120	*	36
300710	10	10	120	*	39
300712	12	12	120	*	46
300714	14	13-15/16	120	*	52
300716	16	15-15/16	120	*	64
300718	18	17-7/8	120	*	72
300720	20	19-7/8	120	*	78
300722	22	21-7/8	120	*	86
300724	24	23-7/8	120	*	94
300744	4	4	240		16



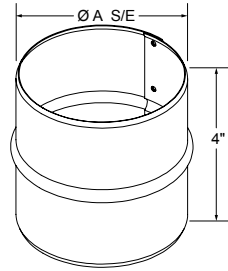
*Product shipped individually.

NOTE: For shipping purposes and to prevent damage 3" to 8" sizes are compressed to a 4 ft. length and 9" to 24" are compressed to a 5 ft. length.

— E.&O.E. — Subject to Change Without Notice — May Not Be Available At All Locations —

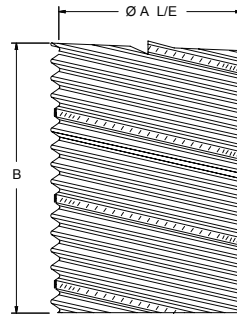
FLEX COUPLERS

ITEM #	SIZE	A (")	CTN/QTY	WT/100
300963	3	3	10	11
300964	4	4	10	15
300965	5	5	10	20
300966	6	6	10	24
300967	7	7	10	27
300968	8	8	10	31



CHIMNEY LINERS — 2-PLY

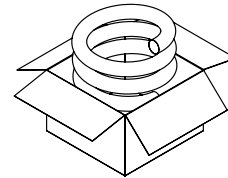
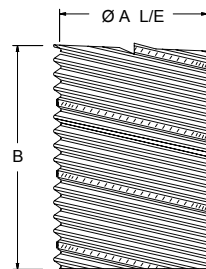
ITEM #	SIZE	A (")	B (')	CTN/QTY	WT/100 FT
300907	7" × 25'	7	25	*	52
300908	8" × 25'	8	25	*	60
300937	7" × 35'	7	35	*	52
300938	8" × 35'	8	35	*	60
300953	3" × 50'	3	50	*	20
300954	4" × 50'	4	50	*	28
300955	5" × 50'	5	50	*	36
300956	6" × 50'	6	50	*	44
300957	7" × 50'	7	50	*	52
300958	8" × 50'	8	50	*	60



*Product shipped individually.

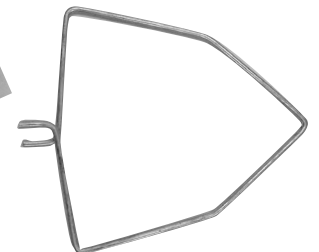
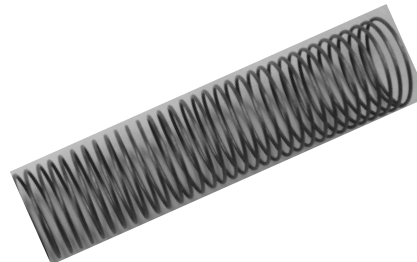
CHIMNEY LINERS — 2-PLY — CARTON

ITEM #	SIZE	A (")	B (')	CTN/QTY	WT/100 FT
300990	3" × 25'	3	25	1	530
300991	4" × 25'	4	25	1	730
300992	5" × 25'	5	25	1	930
300993	6" × 25'	6	25	1	1130
300996	3" × 35'	3	35	1	730
300997	4" × 35'	4	35	1	1010
300998	5" × 35'	5	35	1	1290
300999	6" × 35'	6	35	1	1570



FLEX VENT SPACERS

ITEM #	DESCRIPTION	CTN/QTY	WT/100
670050	4" – 7" Aluminum Wire	240	1
670053	5" – 8" Aluminum Wire	200	1
670055	1" Stainless Steel Spring	300	4



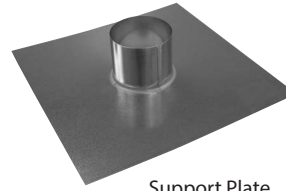
– E.&O.E. – Subject to Change Without Notice – May Not Be Available At All Locations –

CHIMNEY LINER KITS

ITEM #	SIZE	CTN/QTY	WT/100
301043	3" x 25'	1	1100
301044	4" x 25'	1	1350
301045	5" x 25'	1	1575
301046	6" x 25'	1	1750
301053	3" x 35'	1	1500
301054	4" x 35'	1	1850
301055	5" x 35'	1	2175
301056	6" x 35'	1	2525
301057	7" x 35'	1	2875
301058	8" x 35'	1	3225



Rain Cap



Support Plate



Mortar Sleeve

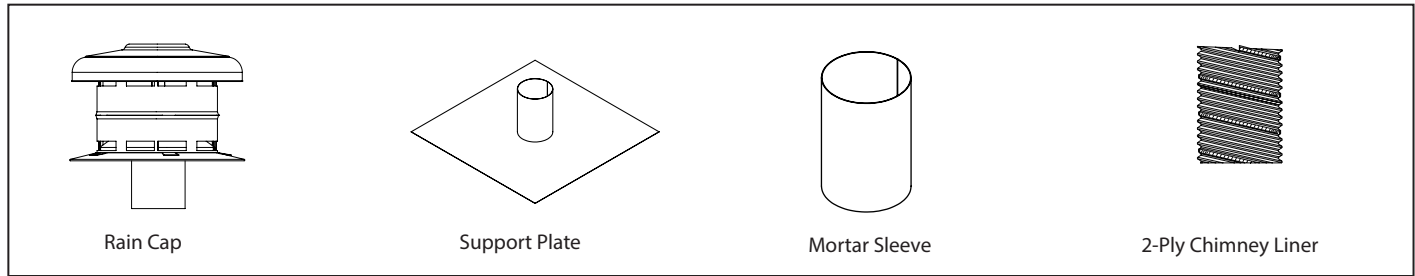


2-Ply Chimney Liner

Chimney Liner Kit includes:

- 1 – Rain Cap
- 1 – Support Plate

- 1 – Mortar Sleeve
- 1 – 2-Ply Chimney Liner

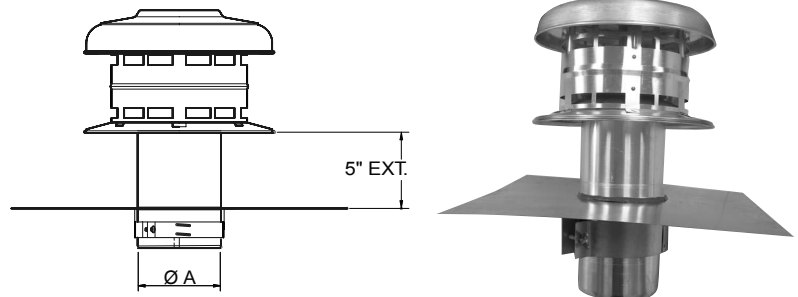


CHIMNEY LINER CAP ASSEMBLY — 5" EXTENSION

ITEM #	SIZE (")	A (")	CTN/QTY	WT/100
301023	3	3	*	400
301024	4	4	*	400
301025	5	5	*	400
301026	6	6	*	500
301027	7	7	*	500
301028	8	8	*	500

*Product shipped individually.

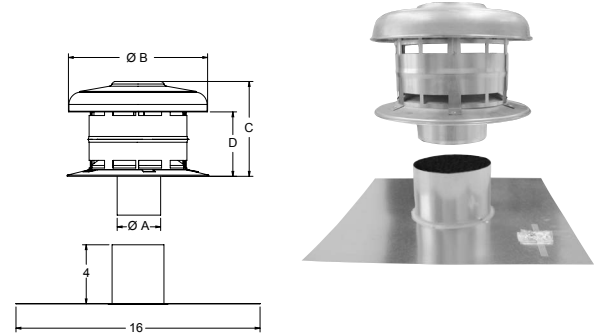
NOTE: Base – Galvanized / Cap – Aluminum



CHIMNEY LINER CAP ASSEMBLY

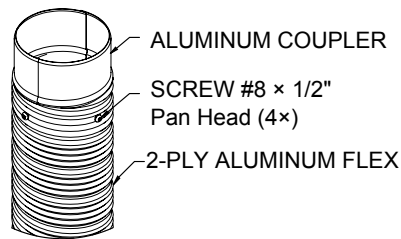
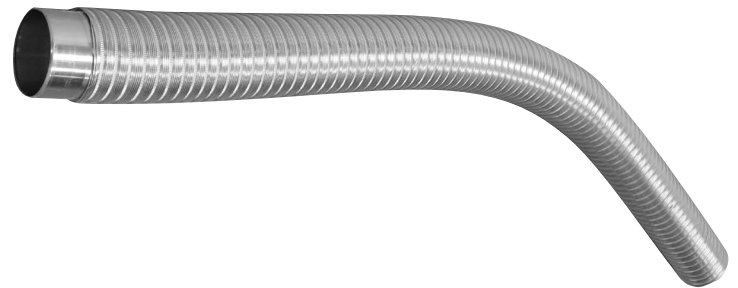
ITEM #	SIZE (")	A (")	B (")	C (")	D (")	CTN/QTY	WT/100
301003	3	3	8	6-1/8	4	*	285
301004	4	4	9-3/8	6-1/8	4	*	309
301005	5	5	10-3/4	7	4-1/2	*	323
301006	6	6	12-3/8	7	4-1/2	*	345
301007	7	7	14	7-3/4	5	*	368
301008	8	8	15-5/8	7-3/4	5	*	392

*Product shipped individually.

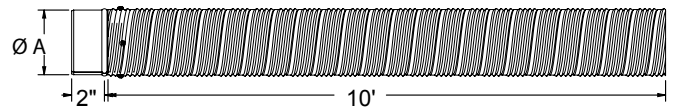


CHIMNEY LINER EXTENSIONS — 2-PLY — WITH COUPLER

ITEM #	SIZE	A (")	PCS/CTN	WT/100
301063	3" x 10'	3	35	220
301064	4" x 10'	4	20	295
301065	5" x 10'	5	13	375
301066	6" x 10'	6	9	440



DETAIL VIEW



- E.&O.E. - Subject to Change Without Notice - May Not Be Available At All Locations -



www.eccomfg.com

Langley Distribution

19860 Fraser Highway
Langley, British Columbia
Canada V3A 4C9

Phone: 604-530-4151
Toll Free: 1-877-955-4805
Fax: 604-533-9335

Calgary Distribution

21 – 11150 38th Street, S.E.
Calgary, Alberta
Canada T2C 2Z6

Phone: 403-720-0895
Toll Free: 1-877-955-4815
Fax: 403-720-0897

Kent Distribution

20001 87th Ave. S, Bldg E
Kent, Washington
USA 98031

Phone: 253-872-3721
Toll Free: 1-800-207-6859
Fax: 253-872-3724

CHIMNEY LINERS, 2-Ply Flex



ECCO™ is proud to be a member of:



SMACNA
Sheet Metal and Air
Conditioning Contractors
National Association
www.smacna.org



HRAI
Heating, Refrigeration and
Air Conditioning
Institute of Canada
www.hrai.ca



HARDI
Heating, Air-conditioning
& Refrigeration
Distributors International
www.hardinet.org



ADI
Air
Distribution
Institute
www.steelduct.org



AD
Affiliated Distributors™
www.adhq.com



CME
Canadian
Manufacturers &
Exporters
www.cme-mec.ca



SPIDA
Spiral Duct
Manufacturers
Association
www.spida.org



CHIMNEY LINERS, 2-PLY FLEX

INDEX

4" OFFSET BOXES — STAINLESS STEEL.....	C2-7
CHIMNEY LINERS	
2-PLY — ALUMINUM.....	C2-3
2-PLY — CARTON — ALUMINUM.....	C2-4
CAP ASSEMBLY — 5" EXTENSION.....	C2-3
CAP ASSEMBLY — ALUMINUM.....	C2-3
EXTENSIONS — 2-PLY — WITH COUPLER — ALUMINUM.....	C2-4
KITS	
ALUMINUM.....	C2-5
STAINLESS STEEL.....	C2-6
LOW PROFILE LINER CAPS — 4" EXTENSION — ALUMINUM.....	C2-5
LOW PROFILE LINER RAIN CAPS — ALUMINUM.....	C2-5
REDUCERS — STAINLESS STEEL.....	C2-8
STAINLESS STEEL.....	C2-6
CONNECTORS — DRIPLESS — STAINLESS STEEL.....	C2-7
COUPLERS — STAINLESS STEEL.....	C2-6
ELBOWS — STAINLESS STEEL	
45°.....	C2-8
90°.....	C2-8
FLASHINGS — STAINLESS STEEL.....	C2-9
FLEX VENT SPACERS.....	C2-4
FLUE ADAPTERS — STAINLESS STEEL.....	C2-8
RAIN CAPS — STAINLESS STEEL.....	C2-9
SUPPORT COLLARS — STAINLESS STEEL.....	C2-9
TEES WITH CLEANOUT — STAINLESS STEEL.....	C2-7

LEGEND

NOTE: The boxed columns throughout the tables are intended to provide a quick determination of ordering dimensions.

ABBREVIATIONS:

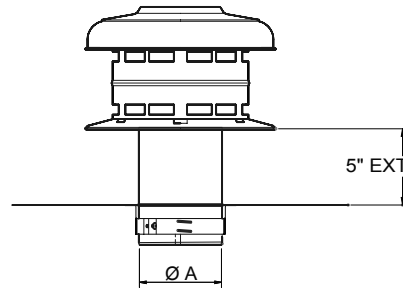
- CTN/QTY = Carton Quantity
- LGTH/CTN = Length per Carton
- PCS/CTN = Pieces per Carton
- WT/100 = Weight per 100 Pieces
- WT/100 FT = Weight per 100 Feet



CHIMNEY LINERS, 2-PLY FLEX

CHIMNEY LINER CAP ASSEMBLY — 5" EXTENSION

ITEM #	SIZE (")	A (")	CTN/QTY	WT/100
301023	3	3	*	400
301024	4	4	*	400
301025	5	5	*	400
301026	6	6	*	500
301027	7	7	*	500
301028	8	8	*	500

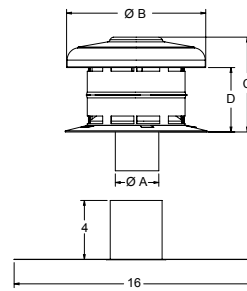


*Product shipped individually.

NOTE: Base – Galvanized / Cap – Aluminum

CHIMNEY LINER CAP ASSEMBLY — ALUMINUM

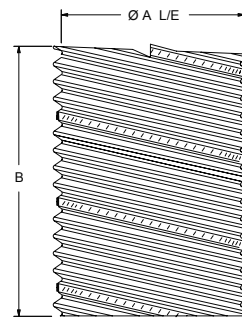
ITEM #	SIZE (")	A (")	B (")	C (")	D (")	CTN/QTY	WT/100
301003	3	3	8	6-1/8	4	*	285
301004	4	4	9-3/8	6-1/8	4	*	309
301005	5	5	10-3/4	7	4-1/2	*	323
301006	6	6	12-3/8	7	4-1/2	*	345
301007	7	7	14	7-3/4	5	*	368
301008	8	8	15-5/8	7-3/4	5	*	392



*Product shipped individually.

CHIMNEY LINERS — 2-PLY — ALUMINUM

ITEM #	SIZE	A (")	B (')	CTN/QTY	WT/100 FT
300907	7" × 25'	7	25	*	52
300908	8" × 25'	8	25	*	60
300937	7" × 35'	7	35	*	52
300938	8" × 35'	8	35	*	60
300953	3" × 50'	3	50	*	20
300954	4" × 50'	4	50	*	28
300955	5" × 50'	5	50	*	36
300956	6" × 50'	6	50	*	44
300957	7" × 50'	7	50	*	52
300958	8" × 50'	8	50	*	60



*Product shipped individually.

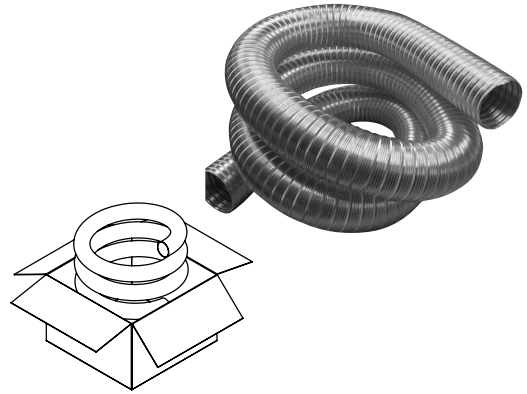
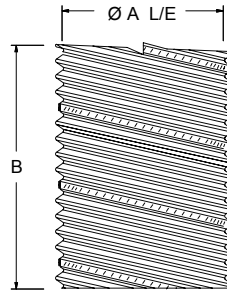
– E.&O.E. – Subject to Change Without Notice – May Not Be Available At All Locations –



CHIMNEY LINERS, 2-PLY FLEX

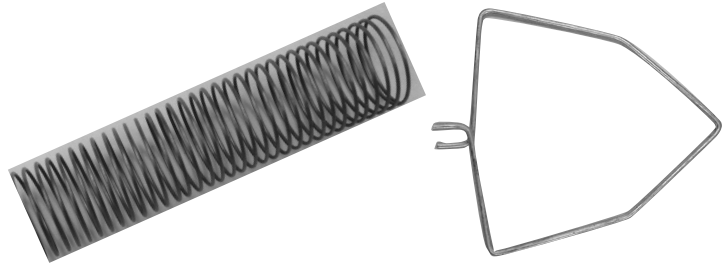
CHIMNEY LINERS — 2-PLY — CARTON — ALUMINUM

ITEM #	SIZE	A (")	B (')	CTN/QTY	WT/100
300990	3" x 25'	3	25	1	530
300991	4" x 25'	4	25	1	730
300992	5" x 25'	5	25	1	930
300993	6" x 25'	6	25	1	1130
300996	3" x 35'	3	35	1	730
300997	4" x 35'	4	35	1	1010
300998	5" x 35'	5	35	1	1290
300999	6" x 35'	6	35	1	1570



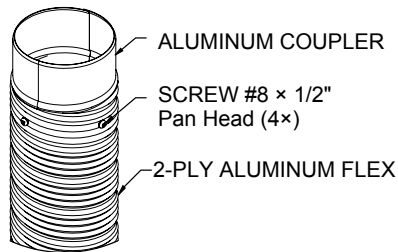
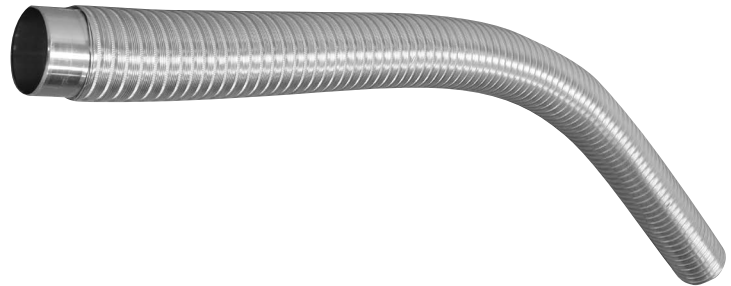
FLEX VENT SPACERS

ITEM #	DESCRIPTION	CTN/QTY	WT/100
670050	4" - 7" Aluminum Wire	240	1
670053	5" - 8" Aluminum Wire	200	1
670055	1" Stainless Steel Spring	300	4

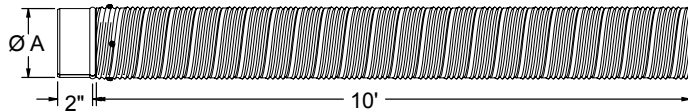


CHIMNEY LINER EXTENSIONS — 2-PLY — WITH COUPLER — ALUMINUM

ITEM #	SIZE	A (")	PCS/CTN	WT/100
301063	3" x 10'	3	35	220
301064	4" x 10'	4	20	295
301065	5" x 10'	5	13	375
301066	6" x 10'	6	9	440



DETAIL VIEW



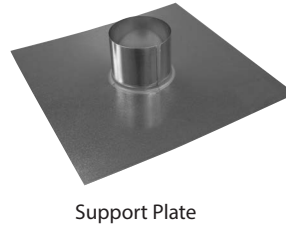
- E.&O.E. - Subject to Change Without Notice - May Not Be Available At All Locations -



CHIMNEY LINERS, 2-PLY FLEX

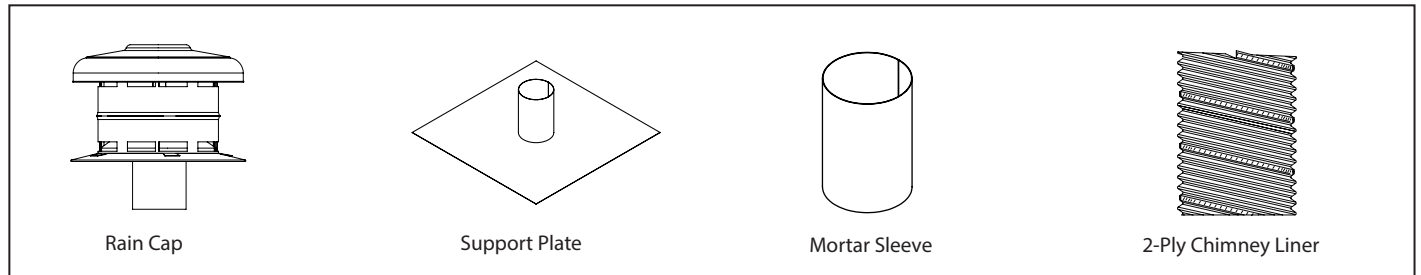
CHIMNEY LINER KITS — ALUMINUM

ITEM #	SIZE	CTN/QTY	WT/100
301043	3" x 25'	1	1100
301044	4" x 25'	1	1350
301045	5" x 25'	1	1575
301046	6" x 25'	1	1750
301053	3" x 35'	1	1500
301054	4" x 35'	1	1850
301055	5" x 35'	1	2175
301056	6" x 35'	1	2525
301057	7" x 35'	1	1792
301058	8" x 35'	1	1813



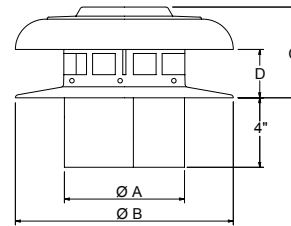
Chimney Liner Kit includes:

- 1 – Rain Cap
- 1 – Mortar Sleeve
- 1 – Support Plate
- 1 – 2-Ply Chimney Liner



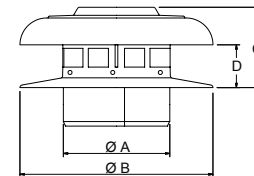
LOW PROFILE LINER CAPS — 4" EXTENSION — ALUMINUM

ITEM #	SIZE (")	A (")	B (")	C (")	D (")	CTN/QTY	WT/100
301017	3	3	8	2-7/8	1-3/8	10	60
301018	4	4	8	3-1/8	1-5/8	10	80
301019	5	5	9	3-1/2	2	10	100



LOW PROFILE LINER RAIN CAPS — ALUMINUM

ITEM #	SIZE (")	A (")	B (")	C (")	D (")	CTN/QTY	WT/100
301014	4	4	8	3-1/8	1-5/8	10	50
301015	5	5	9	3-1/2	2	10	65



– E.&O.E. – Subject to Change Without Notice – May Not Be Available At All Locations –



CHIMNEY LINERS, 2-PLY FLEX

CHIMNEY LINER KITS — STAINLESS STEEL

ITEM #	DESCRIPTION	CTN/QTY	WT/100
299502	5" x 25'	1	1900
299602	6" x 25'	1	2200
299503	5" x 25' with Tee*	1	2100
299603	6" x 25' with Tee*	1	2440



Stainless Steel Rain Cap



Stainless Steel Dripless Connector

Stainless Steel Liner Kit Assembly includes:

- 1 – Stainless Steel Rain Cap
 - 1 – Stainless Steel Dripless Connector
 - 1 – Stainless Steel Liner Flashing
 - 1 – Stainless Steel Liner Support Collar
 - 1 – 25' Stainless Steel Chimney Liner
 - 1 – Stainless Steel Tee*
- *Only included with 299503 / 299603



Stainless Steel Liner Flashing



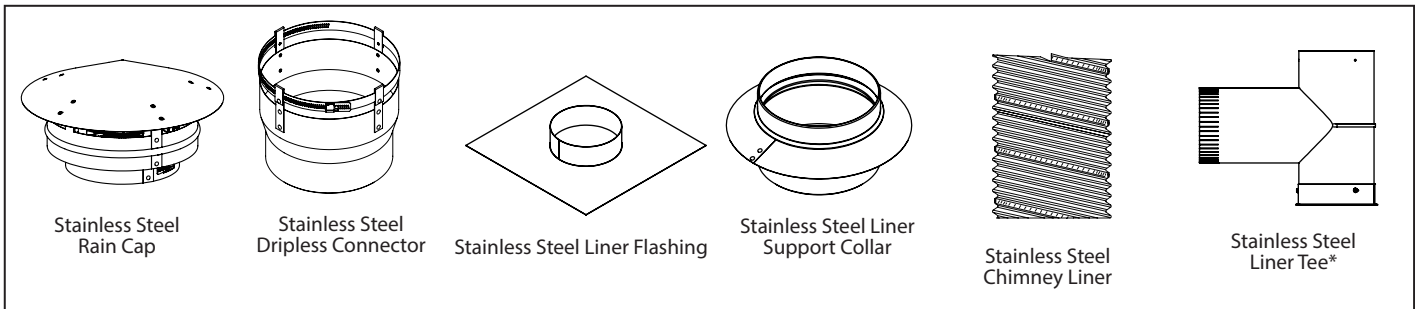
Stainless Steel Liner Support Collar



Stainless Steel Chimney Liner

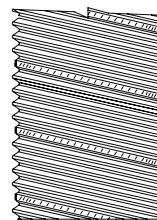


Stainless Steel Liner Tee*



CHIMNEY LINERS — STAINLESS STEEL

ITEM #	SIZE	CTN/QTY	WT/100
299504	5" x 25'	1	1800
299604	6" x 25'	1	1500



Stainless Steel Chimney Liner

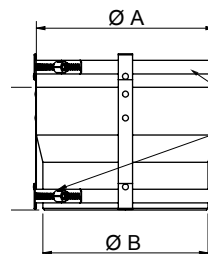


Stainless Steel Chimney Liner

COUPLERS — STAINLESS STEEL

ITEM #	SIZE (")	A (")	B (")	CTN/QTY	WT/100
299522	5	5-1/2	5-1/16	10	65
299622	6	6-1/2	6-1/16	10	75

NOTE: General tolerance of dimensions are +/- 1/8" unless otherwise specified.



GEAR CLAMP FOR ATTACHING FLEXIBLE LINER



- E.&O.E. - Subject to Change Without Notice - May Not Be Available At All Locations -

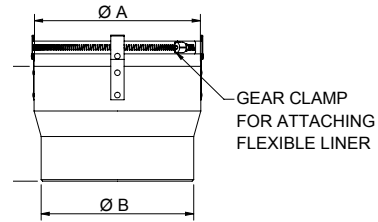


CHIMNEY LINERS, 2-PLY FLEX

DRIPLESS CONNECTORS — STAINLESS STEEL

ITEM #	SIZE (")	A (")	B (")	CTN/QTY	WT/100
299524	5	5-1/2	5	10	65
299624	6	6-1/2	6	10	75

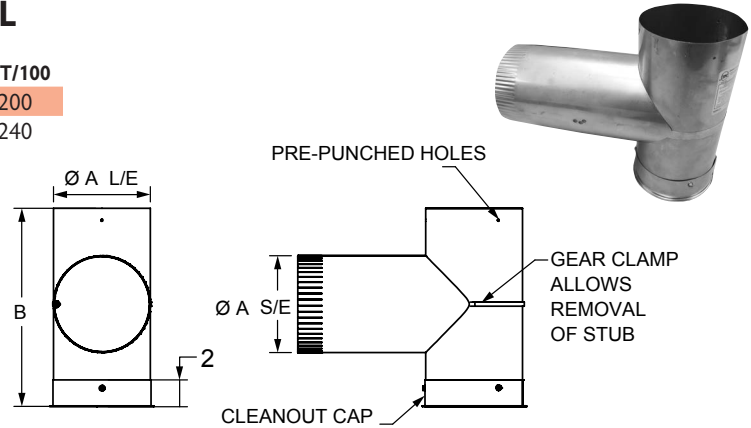
NOTE: General tolerance of dimensions are +/- 1/8" unless otherwise specified.



TEES WITH CLEANOUT — STAINLESS STEEL

ITEM #	SIZE (")	A (")	B (")	CTN/QTY	WT/100
299526	5	5	10-1/4	10	200
299626	6	6	12-1/4	10	240

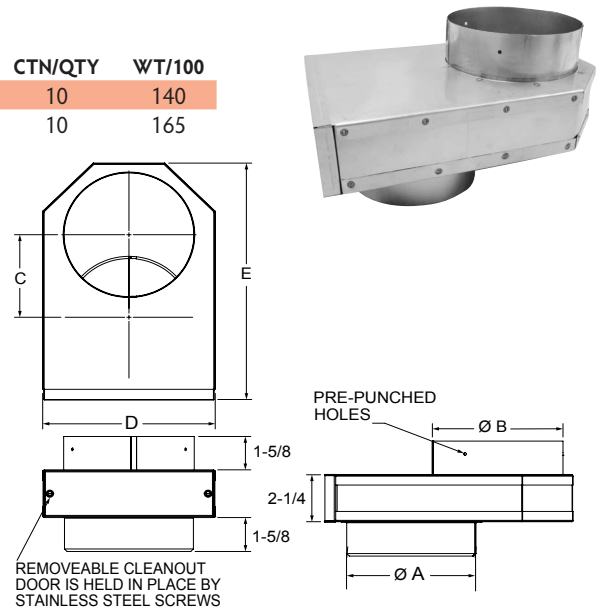
NOTE: General tolerance of dimensions are +/- 1/8" unless otherwise specified.



4" OFFSET BOXES — STAINLESS STEEL

ITEM #	SIZE (")	A (")	B (")	C (")	D (")	E (")	CTN/QTY	WT/100
299528	5	5	5	4	7	10-1/2	10	140
299628	6	6	6	4	8	11-1/2	10	165

NOTE: General tolerance of dimensions are +/- 1/8" unless otherwise specified.



- E.&O.E. - Subject to Change Without Notice - May Not Be Available At All Locations -

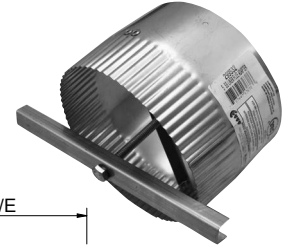
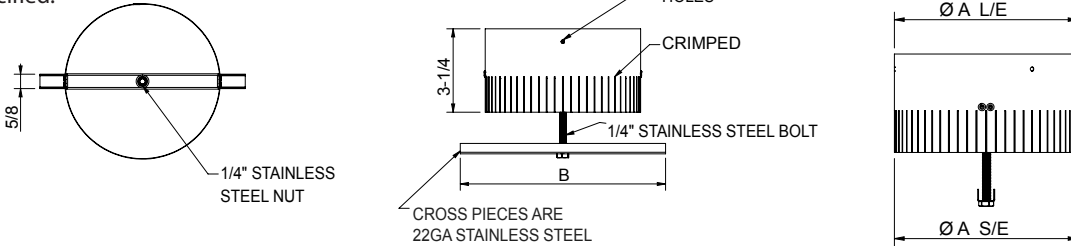


CHIMNEY LINERS, 2-PLY FLEX

FLUE ADAPTERS — STAINLESS STEEL

ITEM #	SIZE (")	A (")	B (")	CTN/QTY	WT/100
299532	5	5	7	10	60
299632	6	6	8	10	60

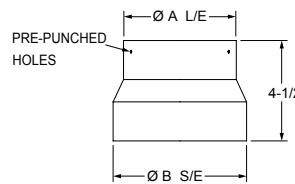
NOTE: General tolerance of dimensions are +/- 1/8" unless otherwise specified.



LINER REDUCERS — STAINLESS STEEL

ITEM #	SIZE (")	A (")	B (")	CTN/QTY	WT/100
299634	6	5	6	10	50

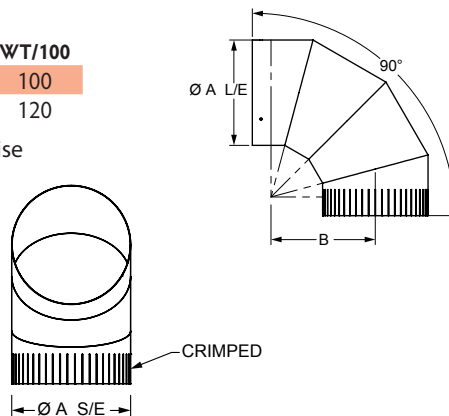
NOTE: General tolerance of dimensions are +/- 1/8" unless otherwise specified.



90° ELBOWS — STAINLESS STEEL

ITEM #	DESCRIPTION	A (")	B (")	CTN/QTY	WT/100
299538	5" x 90°	5	5	10	100
299638	6" x 90°	6	6	10	120

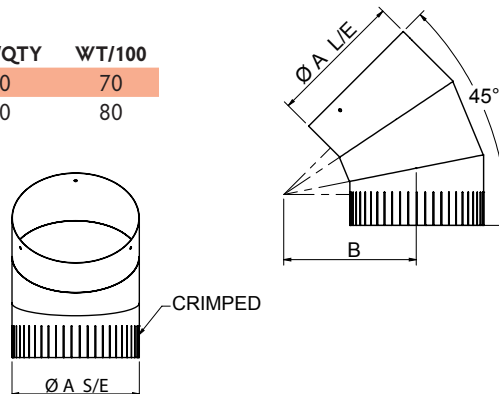
NOTE: General tolerance of dimensions are +/- 1/8" unless otherwise specified.



45° ELBOWS — STAINLESS STEEL

ITEM #	DESCRIPTION	A (")	B (")	CTN/QTY	WT/100
299536	5" x 45°	5	5	10	70
299636	6" x 45°	6	6	10	80

NOTE: General tolerance of dimensions are +/- 1/8" unless otherwise specified.



-E.&O.E. - Subject to Change Without Notice - May Not Be Available At All Locations -

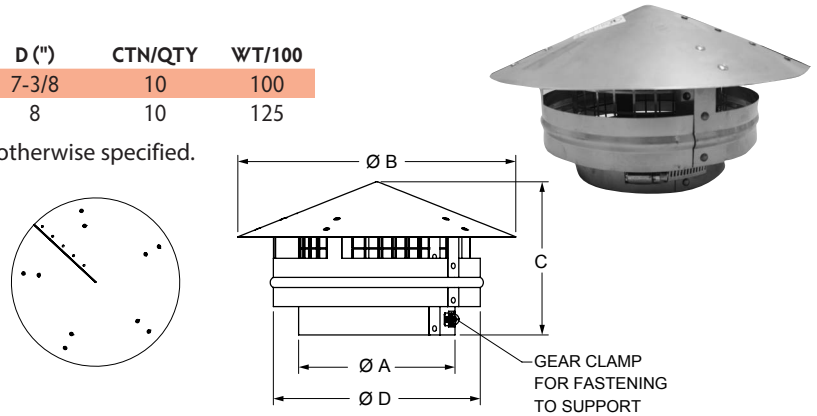


CHIMNEY LINERS, 2-PLY FLEX

RAIN CAPS — STAINLESS STEEL

ITEM #	SIZE (")	A (")	B (")	C (")	D (")	CTN/QTY	WT/100
299540	5	5-3/16	10	5-3/8	7-3/8	10	100
299640	6	6-3/16	11	6	8	10	125

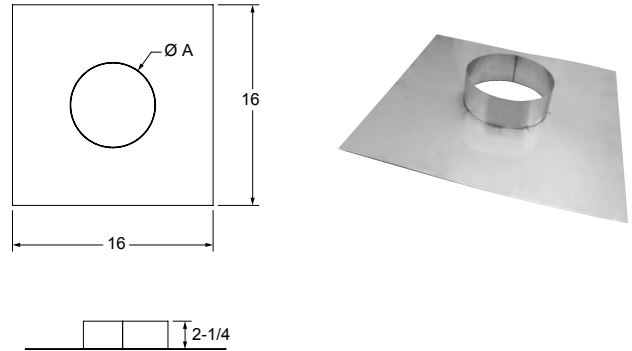
NOTE: General tolerance of dimensions are +/- 1/8" unless otherwise specified.



FLASHINGS — STAINLESS STEEL

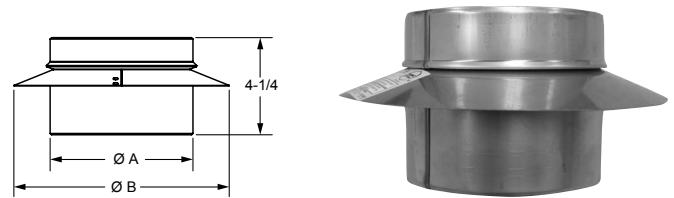
ITEM #	SIZE (")	A (")	CTN/QTY	WT/100
299543	5	5-3/4	10	115
299643	6	6-3/4	10	140

NOTE: General tolerance of dimensions are +/- 1/8" unless otherwise specified.



SUPPORT COLLARS — STAINLESS STEEL

ITEM #	SIZE (")	A (")	B (")	CTN/QTY	WT/100
299545	5	5	8-3/16	10	65
299645	6	6	9-3/16	10	75



- E.&O.E. - Subject to Change Without Notice - May Not Be Available At All Locations -



www.eccomfg.com

Langley Distribution

19860 Fraser Highway
Langley, British Columbia
Canada V3A 4C9

Phone: 604-530-4151
Toll Free: 1-877-955-4805
Fax: 604-533-9335

Calgary Distribution

21 – 11150 38th Street, S.E.
Calgary, Alberta
Canada T2C 2Z6

Phone: 403-720-0895
Toll Free: 1-877-955-4815
Fax: 403-720-0897

Kent Distribution

20001 87th Ave. S, Bldg E
Kent, Washington
USA 98031

Phone: 253-872-3721
Toll Free: 1-800-207-6859
Fax: 253-872-3724

SPIRAL PIPE AND FITTINGS



ECCO™ is proud to be a member of:



SMACNA
Sheet Metal and Air
Conditioning Contractors'
National Association
www.smacna.org



HRAI
Heating, Refrigeration and
Air Conditioning
Institute of Canada
www.hrai.ca



HARDI
Heating, Air-conditioning
& Refrigeration
Distributors International
www.hardinet.org



ADI
Air
Distribution
Institute
www.steelduct.org



AD
Affiliated Distributors™
www.adhq.com



CME
Canadian
Manufacturers &
Exporters
www.cme-mec.ca



SPIDA
Spiral Duct
Manufacturers
Association
www.spida.org



SPIRAL PIPE AND FITTINGS

INDEX

ALUMINUM PIPE GAUGE SCHEDULE.....	D1-4	SPIRAL PIPE — GALVANIZED (cont'd)	
FITTINGS		PLAIN	
ACCESSORIES.....	D1-22 – D1-23	18 GAUGE.....	D1-10
COUPLINGS.....	D1-12	20 GAUGE.....	D1-10
CROSSES.....	D1-20	22 GAUGE.....	D1-9
ELBOWS.....	D1-14 – D1-15	24 GAUGE.....	D1-9
ECCO SPIRAL ELBOW™.....	D1-13	26 GAUGE.....	D1-8
HANGERS.....	D1-11	28 GAUGE.....	D1-8
HALF ROUND.....	D1-12	PRODUCT DATA.....	D1-3
LATERAL CROSSES.....	D1-17	PROFILE SELECTION.....	D1-3
LATERALS.....	D1-16	SPIRAL PIPE — PERFORATED.....	D1-11
TEES.....	D1-18 – D1-19	SPIRAL PIPE CUSTOM ELBOWS.....	D1-24
WYE REDUCERS.....	D1-21		
SPIRAL PIPE — GALVANIZED			
2-LC			
18 GAUGE.....	D1-7		
20 GAUGE.....	D1-7		
22 GAUGE.....	D1-6		
24 GAUGE.....	D1-6		
26 GAUGE.....	D1-5		
28 GAUGE.....	D1-5		
GAUGE CHART.....	D1-3		
GAUGE CHART — NOMINAL THICKNESS.....	D1-5		
GAUGE SELECTION.....	D1-4		
INFORMATION.....	D1-5		

NOTE: PLEASE CONTACT ECCO MANUFACTURING™ FOR EXACT STRETCH OUT BEFORE ASSEMBLY.

LEGEND

NOTE: The boxed columns throughout the tables are intended to provide a quick determination of ordering dimensions.

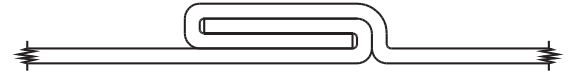
ABBREVIATIONS: CTN/QTY = Carton Quantity
 WT/100 = Weight per 100 Pieces
 WT LBS/FT = Weight Per Foot
 WT LBS/EA = Weight Each



SPIRAL PIPE AND FITTINGS

SPIRAL PIPE PRODUCT DATA

ECCO Spiral Pipe combines the economy of light gauge materials with a spirally formed lockseam construction that provides maximum strength and rigidity. Modern methods of production permits fabrication of long lengths of pipe in 1" through 96" diameters. There is no limit to the length that can be manufactured. Limitations only applicable to transportation restrictions.



FEATURES:

- Airtight 4-ply lockseam
- Low friction loss
- Light weight
- Long lengths

BASE MATERIALS:

- Aluminum
- Cold rolled steel
- Galvanized steel
- Perforated steel
- Polyvinyl chloride (PVC) coated steel
- Pre-painted steel
- Stainless steel
- Wiped coat (Galvannealed)

SPIRAL PIPE PROFILE SELECTION

Type 2-LC — Two light reinforcing corrugations for added strength. Will not develop excessive pressure losses at low velocities. Specify at placement of order: Type 2-LC.



Type P — Smooth, high strength pipe with low friction loss. Specify at placement or order: Type P.



Type C — Deep reinforcing corrugation for extra strength allows usage of lighter gauge materials. Will not develop excessive pressure losses at low velocities. Specify at placement of order: Type C.



GALVANIZED SPIRAL PIPE FITTINGS

ECCO Spiral Pipe Fittings are produced from galvanized steel meeting SMACNA HVAC Pipe Construction standards.

When Ordering:

- Specify type and list all dimensions.
- Describe any variations from standard.
- Standard end connection shall be 2" in length and is considered to be the sleeve for slip joint assembly of spiral pipe to fittings.

GALVANIZED SPIRAL PIPE FITTINGS GAUGE CHART

Pipe Diameter (")	Gauge Size for 10" Positive Pressure
4 – 15	28
16 – 19	26
20 – 29	24
30 – 47	22
48 – 60	20
61 – 90	18

– E.&O.E. – Subject to Change Without Notice – May Not Be Available At All Locations –



SPIRAL PIPE AND FITTINGS

SPIRAL PIPE GAUGE SELECTION

- Fittings shall be of wall thickness not less than that specified for longitudinal seam pipe.
- For Stainless Steel or Polyvinyl Chloride Coated Steel, use the Galvanized Spiral Pipe Gauge Selection below.

GALVANIZED SPIRAL PIPE UNREINFORCED

POSITIVE PRESSURE TO 10" W.G.		
Maximum Diameter (in)	Longitudinal Seam	Spiral Seam
4	28	28
6	28	28
8	28	28
10	28	28
12	28	28
14	28	28
15	28	28
16	26	26
18	26	26
20	24	26
22	24	26
24	24	26
26	24	26
28	24	26
30	22	24
36	22	24
42	22	24
48	20	22
54	20	22
60	20	22
66	18	22
72	18	20
78	18	20
84	18	20
90	18	20
96	18	20

NEGATIVE PRESSURE								
Maximum Diameter (in)	-2" W.G.		-4" W.G.		-6" W.G.		-10" W.G.	
	Spiral Seam	Long. Seam	Spiral Seam	Long. Seam	Spiral Seam	Long. Seam	Spiral Seam	Long. Seam
4	28	28	28	28	28	28	28	28
6	28	28	28	28	28	28	28	28
8	28	28	28	28	28	26	26	24
10	28	28	28	26	26	24	26	24
12	28	26	26	24	24	24	24	22
14	28	24	24	22	24	22	22	20
16	26	24	24	22	22	20	22	18
18	24	22	22	20	22	20	20	18
20	24	22	22	20	20	18	18	18
22	22	22	20	18	20	18	18	16
24	22	20	20	18	18	18	18	16
30	20	18	18	16	18	16	16	N/A
36	18	16	16	N/A	16	N/A	N/A	N/A
42	18	16	16	N/A	N/A	N/A	N/A	N/A
48	16	N/A	N/A	N/A	N/A	N/A	N/A	N/A
54	16	N/A	N/A	N/A	N/A	N/A	N/A	N/A
60	N/A	N/A	N/A	N/A	N/A	N/A	N/A	N/A
66	N/A	N/A	N/A	N/A	N/A	N/A	N/A	N/A
72	N/A	N/A	N/A	N/A	N/A	N/A	N/A	N/A
78	N/A	N/A	N/A	N/A	N/A	N/A	N/A	N/A
84	N/A	N/A	N/A	N/A	N/A	N/A	N/A	N/A
90	N/A	N/A	N/A	N/A	N/A	N/A	N/A	N/A

REFERENCE: HVAC Duct Construction Standards Metal and Flexible — Third Edition.

ALUMINUM PIPE GAUGE SCHEDULE

Pipe Diameter (In.)	Maximum 2" W.G. Static Positive		Maximum 2" W.G. Static Negative	
	Spiral Seam	Long. Seam	Spiral Seam	Long. Seam
3 thru 8	.025"	.032"	.025"	.040"
9 thru 14	.025"	.032"	.032"	.040"
15 thru 26	.032"	.040"	.040"	.050"
27 thru 36	.040"	.050"	.050"	.063"
37 thru 50	.050"	.063"	.063"	.071"
51 thru 60	.063"	.071"	N/A	.090"
61 thru 84	N/A	.090"	N/A	N/A

NOTES: Construction of aluminum pipe and fittings shall otherwise correspond in the same relationship as for steel duct.

N/A means not readily available or not assigned.

Reference: SMACNA HVAC Pipe Construction Standards.

– E.&O.E. – Subject to Change Without Notice – May Not Be Available At All Locations –



SPIRAL PIPE AND FITTINGS

SPIRAL PIPE GAUGE CHART — NOMINAL THICKNESS

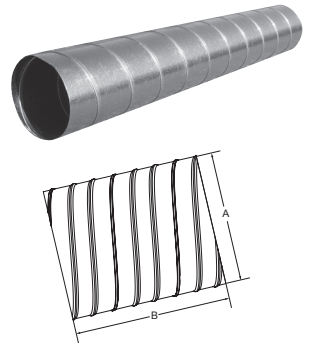
GAUGE	GALVANIZED STEEL (")	ALUMINUM (")	STAINLESS STEEL (")
28	.0187	.0126	.0156
26	.0217	.0159	.0187
24	.0276	.0201	.0250
22	.0336	.0253	.0312
20	.0396	.0319	.0375
18	.0516	.0403	.0500
16	.0635	.0508	.0625
14	.0785	.0640	.0781
13	.0934	.0719	.0937
12	.1084	.0808	.1093
11	.1233	.0907	.1250
10	.1382	.1019	.1406

SPIRAL PIPE INFORMATION

All the sizes in this catalog are based on Type P and Type 2-LC profiles. The Type 2-LC profile has two light reinforcing corrugations for added strength. Standard Spiral Pipe lengths are 120"; custom lengths available.

GALVANIZED SPIRAL PIPE — 28 GAUGE — 2-LC

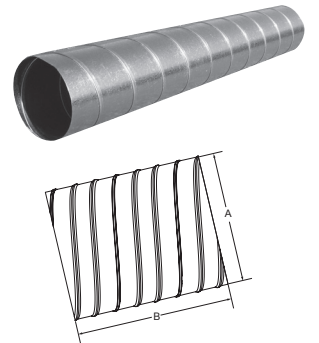
ITEM #	A (") DIAMETER	B (")	WT LBS/FT	Y/L ITEM #	ITEM #	A (") DIAMETER	B (")	WT LBS/FT	Y/L ITEM #
410428	4	120	0.88	400428	411028	10	120	2.21	401028
410528	5	120	1.10	400528	411128	11	120	2.43	401128
410628	6	120	1.32	400628	411228	12	120	2.65	401228
410728	7	120	1.55	400728	411328	13	120	2.87	401328
410828	8	120	1.77	400828	411428	14	120	3.10	401428
410928	9	120	1.99	400928	411528	15	120	3.31	401528



NOTE: Diameters in **Bold** indicate SMACNA recommended gauges to 10" W.G. Static Positive.

GALVANIZED SPIRAL PIPE — 26 GAUGE — 2-LC

ITEM #	A (") DIAMETER	B (")	WT LBS/FT	Y/L ITEM #	ITEM #	A (") DIAMETER	B (")	WT LBS/FT	Y/L ITEM #
410426	4	120	1.02	400426	411626	16	120	4.11	401626
410526	5	120	1.28	400526	411726	17	120	4.38	401726
410626	6	120	1.54	400626	411826	18	120	4.63	401826
410726	7	120	1.79	400726	411926	19	120	4.87	401926
410826	8	120	2.05	400826	412026	20	120	5.15	402026
410926	9	120	2.31	400926	412126	21	120	5.38	402126
411026	10	120	2.59	401026	412226	22	120	5.65	402226
411126	11	120	2.83	401126	412326	23	120	5.90	402326
411226	12	120	3.08	401226	412426	24	120	6.16	402426
411326	13	120	3.35	401326	412626	26	120	6.67	402626
411426	14	120	3.59	401426	412826	28	120	7.47	402826
411526	15	120	3.86	401526					

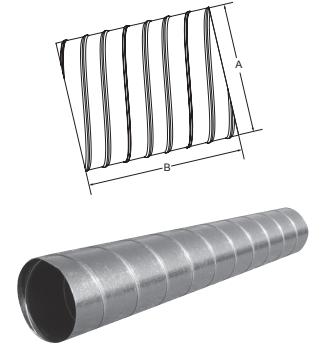


NOTE: Diameters in **Bold** indicate SMACNA recommended gauges to 10" W.G. Static Positive.

– E.&O.E. – Subject to Change Without Notice – May Not Be Available At All Locations –

GALVANIZED SPIRAL PIPE — 24 GAUGE — 2-LC

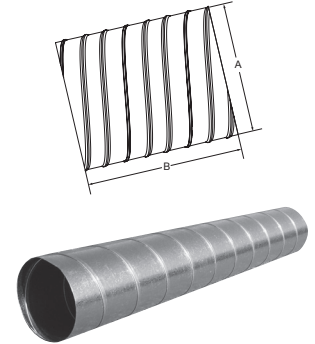
ITEM #	A (") DIAMETER	B (")	WT LBS/FT	Y/L ITEM #	ITEM #	A (") DIAMETER	B (")	WT LBS/FT	Y/L ITEM #
410424	4	120	1.35	400424	412124	21	120	7.12	402124
410524	5	120	1.69	400524	412224	22	120	7.46	402224
410624	6	120	2.03	400624	412324	23	120	7.80	402324
410724	7	120	2.37	400724	412424	24	120	8.14	402424
410824	8	120	2.71	400824	412624	26	120	8.82	402624
410924	9	120	3.05	400924	412824	28	120	9.50	402824
411024	10	120	3.39	401024	413024	30	120	10.18	403024
411124	11	120	3.73	401124	413224	32	120	10.84	403224
411224	12	120	4.07	401224	413424	34	120	11.53	403424
411424	14	120	4.74	401424	413624	36	120	12.20	403624
411524	15	120	5.09	401524	413824	38	120	12.88	403824
411624	16	120	5.42	401624	414024	40	120	13.56	404024
411724	17	120	5.77	401724	414224	42	120	14.23	404224
411824	18	120	6.10	401824	414424	44	120	14.94	404424
411924	19	120	6.44	401924	404624	46	120	15.59	404624
412024	20	120	6.78	402024					



NOTE: Diameters in **Bold** indicate SMACNA recommended gauges to 10" W.G. Static Positive.

GALVANIZED SPIRAL PIPE — 22 GAUGE — 2-LC

ITEM #	A (") DIAMETER	B (")	WT LBS/FT	Y/L ITEM #	ITEM #	A (") DIAMETER	B (")	WT LBS/FT	Y/L ITEM #
410422	4	120	1.64	400422	413622	36	120	14.87	403622
410522	5	120	2.06	400522	413822	38	120	15.69	403822
410622	6	120	2.47	400622	414022	40	120	16.50	404022
410722	7	120	2.88	400722	414222	42	120	17.32	404222
410822	8	120	3.29	400822	414422	44	120	18.18	404422
410922	9	120	3.71	400922	414622	46	120	18.97	404622
411022	10	120	4.12	401022	414822	48	120	19.82	404822
411122	11	120	4.52	401122	415022	50	120	20.64	405022
411222	12	120	4.95	401222	415222	52	120	21.46	405222
411422	14	120	5.77	401422	415422	54	120	22.28	405422
411622	16	120	6.60	401622	415622	56	120	23.10	405622
411822	18	120	7.43	401822	415822	58	120	23.92	405822
412022	20	120	8.25	402022	416022	60	120	24.74	406022
41222	22	120	9.08	402222	416222	62	120	25.56	406222
412422	24	120	9.91	402422	416422	64	120	26.38	406422
412622	26	120	10.73	402622	416622	66	120	27.20	406622
412822	28	120	11.56	402822	416822	68	120	28.02	406822
413022	30	120	12.38	403022	417022	70	120	28.44	407022
413222	32	120	13.21	403222					
413422	34	120	14.03	403422					



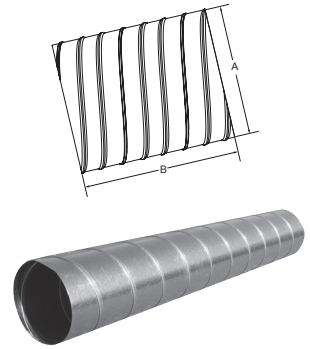
NOTE: Diameters in **Bold** indicate SMACNA recommended gauges to 10" W.G. Static Positive.



SPIRAL PIPE AND FITTINGS

GALVANIZED SPIRAL PIPE — 20 GAUGE — 2-LC

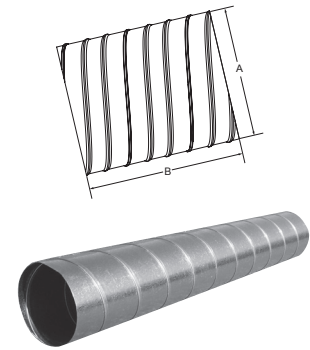
ITEM #	A (") DIAMETER	B (")	WT LBS/FT	Y/L ITEM #	ITEM #	A (") DIAMETER	B (")	WT LBS/FT	Y/L ITEM #
410420	4	120	1.94	400420	413620	36	120	17.53	403620
410520	5	120	2.42	400520	413820	38	120	18.51	403820
410620	6	120	2.91	400620	414020	40	120	19.48	404020
410720	7	120	3.40	400720	414220	42	120	20.46	404220
410820	8	120	3.86	400820	414420	44	120	21.42	404420
410920	9	120	4.37	400920	414620	46	120	22.41	404620
411020	10	120	4.86	401020	414820	48	120	23.36	404820
411120	11	120	5.35	401120	415020	50	120	24.37	405020
411220	12	120	5.83	401220	415220	52	120	25.34	405220
411420	14	120	6.81	401420	415420	54	120	26.32	405420
411620	16	120	7.78	401620	415620	56	120	27.28	405620
411820	18	120	8.76	401820	415820	58	120	28.27	405820
412020	20	120	9.73	402020	416020	60	120	29.25	406020
412220	22	120	10.71	402220	416220	62	120	30.22	406220
412420	24	120	11.68	402420	416420	64	120	31.20	406420
412620	26	120	12.66	402620	416620	66	120	32.17	406620
412820	28	120	13.63	402820	416820	68	120	33.15	406820
413020	30	120	14.60	403020	417020	70	120	34.13	407020
413220	32	120	15.58	403220	417220	72	120	35.10	407220
413420	34	120	16.56	403420					



NOTE: Diameter/s in **Bold** indicate SMACNA recommended gauges to 10" W.G. Static Positive.

GALVANIZED SPIRAL PIPE — 18 GAUGE — 2-LC

ITEM #	A (") DIAMETER	B (")	WT LBS/FT	Y/L ITEM #	ITEM #	A (") DIAMETER	B (")	WT LBS/FT	Y/L ITEM #
410418	4	120	2.64	400418	413618	36	120	23.72	403618
410518	5	120	3.30	400518	413818	38	120	25.04	403818
410618	6	120	3.95	400618	414018	40	120	26.36	404018
410718	7	120	4.61	400718	414218	42	120	27.68	404218
410818	8	120	5.27	400818	414418	44	120	29.00	404418
410918	9	120	5.93	400918	414618	46	120	30.31	404618
411018	10	120	6.59	401018	414818	48	120	31.63	404818
411118	11	120	7.25	401118	415018	50	120	32.95	405018
411218	12	120	7.91	401218	415218	52	120	34.27	405218
411418	14	120	9.23	401418	415418	54	120	35.59	405418
411618	16	120	10.54	401618	415618	56	120	36.90	405618
411818	18	120	11.86	401818	415818	58	120	38.22	405818
412018	20	120	13.18	402018	416018	60	120	39.54	406018
412218	22	120	14.50	402218	416218	62	120	40.86	406218
412418	24	120	15.82	402418	416418	64	120	42.18	406418
412618	26	120	17.13	402618	416618	66	120	43.49	406618
412818	28	120	18.45	402818	416818	68	120	44.81	406818
413018	30	120	19.77	403018	417018	70	120	46.13	407018
413218	32	120	21.09	403218	417218	72	120	47.45	407218
413418	34	120	22.41	403418					



NOTE: All 18 Gauge Galvanized Spiral Pipe on this page exceeds the SMACNA minimum recommended gauge for 10" W.G. Static Positive.

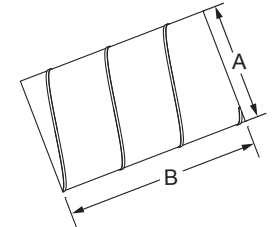
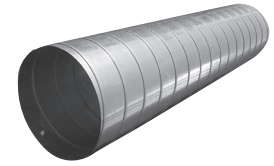
- E.&O.E. - Subject to Change Without Notice - May Not Be Available At All Locations -



SPIRAL PIPE AND FITTINGS

GALVANIZED SPIRAL PIPE — 28 GAUGE — PLAIN

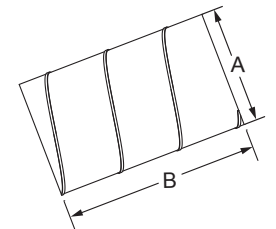
ITEM #	A (") DIAMETER	B (")	WT LBS/FT	Y/L ITEM #	ITEM #	A (") DIAMETER	B (")	WT LBS/FT	Y/L ITEM #
410327	3	120	.66	400327	411127	11	120	2.43	401127
410427	4	120	.88	400427	411227	12	120	2.65	401227
410527	5	120	1.10	400527	411327	13	120	2.87	401327
410627	6	120	1.32	400627	411427	14	120	3.10	401427
410727	7	120	1.55	400727	411527	15	120	3.31	401527
410827	8	120	1.77	400827					
410927	9	120	1.99	400927					
411027	10	120	2.21	401027					



NOTE: Diameters in **Bold** indicate SMACNA recommended gauges to 10" W.G. Static Positive.

GALVANIZED SPIRAL PIPE — 26 GAUGE — PLAIN

ITEM #	A (") DIAMETER	B (")	WT LBS/FT	Y/L ITEM #	ITEM #	A (") DIAMETER	B (")	WT LBS/FT	Y/L ITEM #
410325	3	120	.76	—	411525	15	120	3.86	401525
410425	4	120	1.02	400425	411625	16	120	4.11	401625
410525	5	120	1.28	400525	411725	17	120	4.38	401725
410625	6	120	1.54	400625	411825	18	120	4.63	401825
410725	7	120	1.79	400725	411925	19	120	4.87	401925
410825	8	120	2.05	400825	412025	20	120	5.15	402025
410925	9	120	2.31	400925	412125	21	120	5.38	402125
411025	10	120	2.59	401025	412225	22	120	5.65	402225
411125	11	120	2.83	401125	412325	23	120	5.90	402325
411225	12	120	3.08	401225	412425	24	120	6.16	402425
411325	13	120	3.35	401325	412625	26	120	6.67	402625
411425	14	120	3.59	401425	412825	28	120	7.47	402825

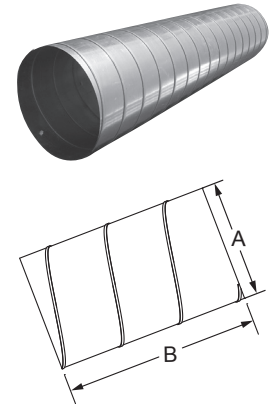


NOTE: Diameters in **Bold** indicate SMACNA recommended gauges to 10" W.G. Static Positive.

– E.&O.E. – Subject to Change Without Notice – May Not Be Available At All Locations –

GALVANIZED SPIRAL PIPE — 24 GAUGE — PLAIN

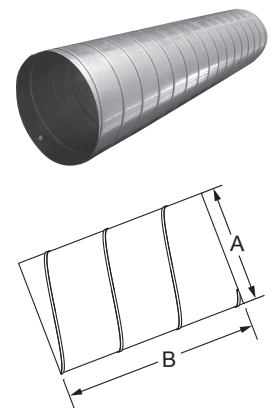
ITEM #	A (") DIAMETER	B (")	WT LBS/FT	Y/L ITEM #	ITEM #	A (") DIAMETER	B (")	WT LBS/FT	Y/L ITEM #
410323	3	120	1.01	—	412123	21	120	7.12	402123
410423	4	120	1.35	400423	412223	22	120	7.46	402223
410523	5	120	1.69	400523	412323	23	120	7.80	402323
410623	6	120	2.03	400623	412423	24	120	8.14	402423
410723	7	120	2.37	400723	412623	26	120	8.82	402623
410823	8	120	2.71	400823	412823	28	120	9.50	402823
410923	9	120	3.05	400923	413023	30	120	10.18	403023
411023	10	120	3.39	401023	413223	32	120	10.84	403223
411123	11	120	3.73	401123	413423	34	120	11.53	403423
411223	12	120	4.07	401223	413623	36	120	12.20	403623
411323	13	120	4.41	401323	413823	38	120	12.88	403823
411423	14	120	4.74	401423	414023	40	120	13.56	404023
411523	15	120	5.09	401523	414223	42	120	14.23	404223
411623	16	120	5.42	401623	414423	44	120	14.94	404423
411723	17	120	5.77	401723	414623	46	120	15.59	404623
411823	18	120	6.10	401823					
411923	19	120	6.44	401923					
412023	20	120	6.78	402023					



NOTE: Diameters in **Bold** indicate SMACNA recommended gauges to 10" W.G. Static Positive.

GALVANIZED SPIRAL PIPE — 22 GAUGE — PLAIN

ITEM #	A (") DIAMETER	B (")	WT LBS/FT	Y/L ITEM #	ITEM #	A (") DIAMETER	B (")	WT LBS/FT	Y/L ITEM #
410321	3	120	1.23	—	413021	30	120	12.38	403021
410421	4	120	1.64	400421	413221	32	120	13.21	403221
410521	5	120	2.06	400521	413421	34	120	14.03	403421
410621	6	120	2.47	400621	413621	36	120	14.87	403621
410721	7	120	2.88	400721	413821	38	120	15.69	403821
410821	8	120	3.29	400821	414021	40	120	16.50	404021
410921	9	120	3.71	400921	414221	42	120	17.32	404221
411021	10	120	4.12	401021	414421	44	120	18.18	404421
411121	11	120	4.52	401121	414621	46	120	18.97	404621
411221	12	120	4.95	401221	414821	48	120	19.82	404821
411321	13	120	5.34	401321	415021	50	120	20.60	405021
411421	14	120	5.77	401421	415221	52	120	21.46	405221
411521	15	120	6.18	401521	415421	54	120	22.28	405421
411621	16	120	6.60	401621	415621	56	120	23.10	405621
411721	17	120	7.01	401721	415821	58	120	23.92	405821
411821	18	120	7.43	401821	416021	60	120	24.74	406021
411921	19	120	7.84	401921	416221	62	120	25.56	406221
412021	20	120	8.25	402021	416421	64	120	26.38	406421
412121	21	120	8.67	402121	416621	66	120	27.20	406621
412221	22	120	9.08	402221	416821	68	120	28.12	406821
412321	23	120	9.50	402321	417021	70	120	28.96	407021
412421	24	120	9.91	402421					
412621	26	120	10.73	402621					
412821	28	120	11.56	402821					



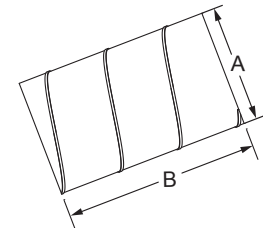
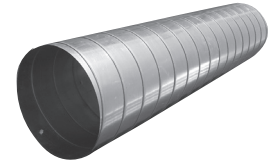
NOTE: Diameters in **Bold** indicate SMACNA recommended gauges to 10" W.G. Static Positive.



SPIRAL PIPE AND FITTINGS

GALVANIZED SPIRAL PIPE — 20 GAUGE — PLAIN

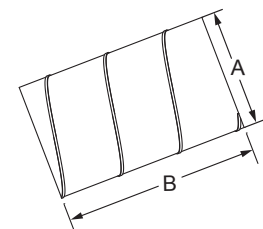
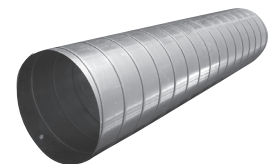
ITEM #	A (") DIAMETER	B (")	WT LBS/FT	Y/L ITEM #	ITEM #	A (") DIAMETER	B (")	WT LBS/FT	Y/L ITEM #
410319	3	120	1.46	—	413019	30	120	14.60	403019
410419	4	120	1.94	400419	413219	32	120	15.58	403219
410519	5	120	2.42	400519	413419	34	120	16.56	403419
410619	6	120	2.91	400619	413619	36	120	17.53	403619
410719	7	120	3.40	400719	413819	38	120	18.51	403819
410819	8	120	3.86	400819	414019	40	120	19.48	404019
410919	9	120	4.37	400919	414219	42	120	20.46	404219
411019	10	120	4.86	401019	414419	44	120	21.42	404419
411119	11	120	5.35	401119	414619	46	120	22.41	404619
411219	12	120	5.83	401219	414819	48	120	23.36	404819
411319	13	120	6.33	401319	415019	50	120	24.37	405019
411419	14	120	6.81	401419	415219	52	120	25.34	405219
411519	15	120	7.30	401519	415419	54	120	26.32	405419
411619	16	120	7.78	401619	415619	56	120	27.28	405619
411719	17	120	8.28	401719	415819	58	120	28.27	405819
411819	18	120	8.76	401819	416019	60	120	29.25	406019
411919	19	120	9.24	401919	416219	62	120	30.22	406219
412019	20	120	9.73	402019	416419	64	120	31.20	406419
412119	21	120	10.22	402119	416619	66	120	32.17	406619
412219	22	120	10.71	402219	416819	68	120	33.15	406819
412319	23	120	11.19	402319	417019	70	120	34.13	407019
412419	24	120	11.68	402419	417219	72	120	35.10	407219
412619	26	120	12.66	402619					
412819	28	120	13.63	402819					



NOTE: Diameter/s in **Bold** indicate SMACNA recommended gauges to 10" W.G. Static Positive.

GALVANIZED SPIRAL PIPE — 18 GAUGE — PLAIN

ITEM #	A (") DIAMETER	B (")	WT LBS/FT	Y/L ITEM #	ITEM #	A (") DIAMETER	B (")	WT LBS/FT	Y/L ITEM #
410317	3	120	1.98	—	413017	30	120	19.77	403017
410417	4	120	2.64	400417	413217	32	120	21.09	403217
410517	5	120	3.30	400517	413417	34	120	22.41	403417
410617	6	120	3.95	400617	413617	36	120	23.72	403617
410717	7	120	4.61	400717	413817	38	120	25.04	403817
410817	8	120	5.27	400817	414017	40	120	26.36	404017
410917	9	120	5.93	400917	414217	42	120	27.68	404217
411017	10	120	6.59	401017	414417	44	120	29.40	404417
411117	11	120	7.25	401117	414617	46	120	30.31	404617
411217	12	120	7.91	401217	414817	48	120	31.63	404817
411317	13	120	8.57	401317	415017	50	120	32.95	405017
411417	14	120	9.23	401417	415217	52	120	34.27	405217
411517	15	120	9.89	401517	415417	54	120	35.59	405417
411617	16	120	10.54	401617	415617	56	120	36.90	405617
411717	17	120	11.20	401717	415817	58	120	38.22	405817
411817	18	120	11.86	401817	416017	60	120	39.54	406017
411917	19	120	12.52	401917	416217	62	120	40.86	406217
412017	20	120	13.18	402017	416417	64	120	42.18	406417
412117	21	120	13.84	402117	416617	66	120	43.49	406617
412217	22	120	14.50	402217	416817	68	120	44.81	406817
412317	23	120	15.16	402317	417017	70	120	46.13	407017
412417	24	120	15.82	402417	417217	72	120	47.45	407217
412617	26	120	17.13	402617					
412817	28	120	18.45	402817					

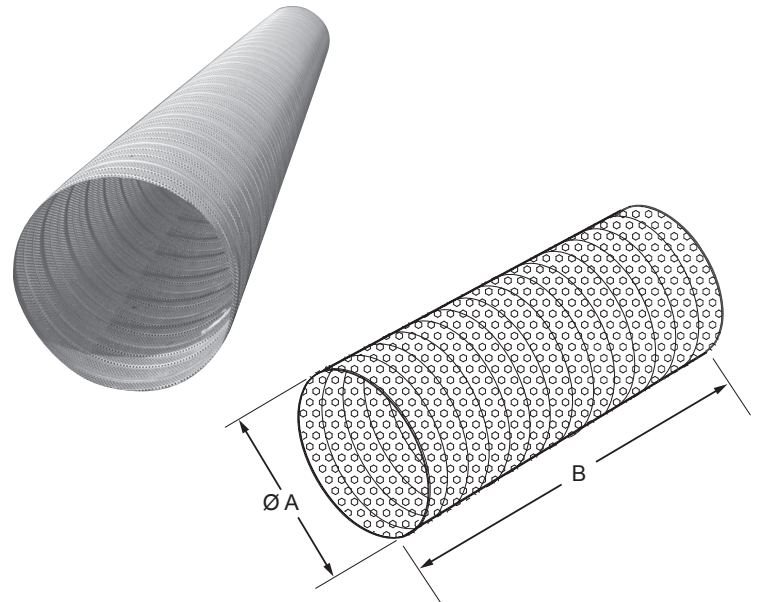


NOTE: All 18 Gauge Galvanized Spiral Pipe on this page exceeds the SMACNA minimum recommended gauge for 10" W.G. Static Positive.

— E.&O.E. — Subject to Change Without Notice — May Not Be Available At All Locations —

PERFORATED SPIRAL PIPE

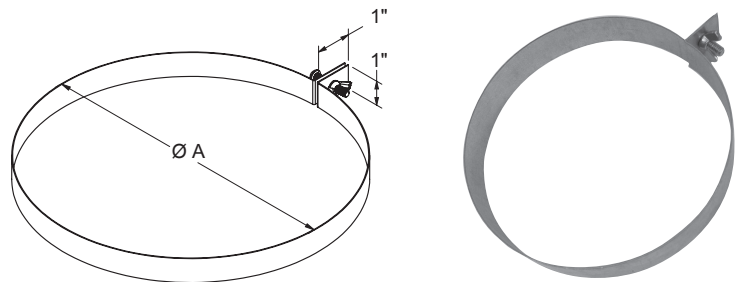
ITEM #	A (")	B (")	GAUGE TO SMACNA STANDARD	WT LBS/FT
420322	3	120	22	.94
420422	4	120	22	1.25
420522	5	120	22	1.56
420622	6	120	22	1.88
420722	7	120	22	2.19
420822	8	120	22	2.50
420922	9	120	22	2.81
421022	10	120	22	3.13
421122	11	120	22	3.44
421222	12	120	22	3.75
421322	13	120	22	4.07
421422	14	120	22	4.38
421522	15	120	22	4.69
421622	16	120	22	5.00
421722	17	120	22	5.32
421822	18	120	22	5.63
421922	19	120	22	5.94
422022	20	120	22	6.25
422122	21	120	22	6.57
422222	22	120	22	6.88
422322	23	120	22	7.19
422422	24	120	22	7.50
422622	26	120	22	8.13
422822	28	120	22	8.76
423022	30	120	22	9.38
423222	32	120	22	10.00
423422	34	120	22	10.63
423622	36	120	22	11.26
423822	38	120	22	11.88
424022	40	120	22	12.51
424222	42	120	22	13.13
424422	44	120	22	13.76
424622	46	120	22	14.38
424822	48	120	22	15.01



ITEM #	A (")	B (")	GAUGE TO SMACNA STANDARD	WT LBS/FT
425022	50	120	22	15.64
425222	52	120	22	16.26
425422	54	120	22	18.07
425622	56	120	22	18.74
425822	58	120	22	19.41
426022	60	120	22	20.08
426222	62	120	22	20.74
426422	64	120	22	21.41
426622	66	120	22	22.08
426822	68	120	22	22.75
427022	70	120	22	23.42

GALVANIZED SPIRAL PIPE HANGERS

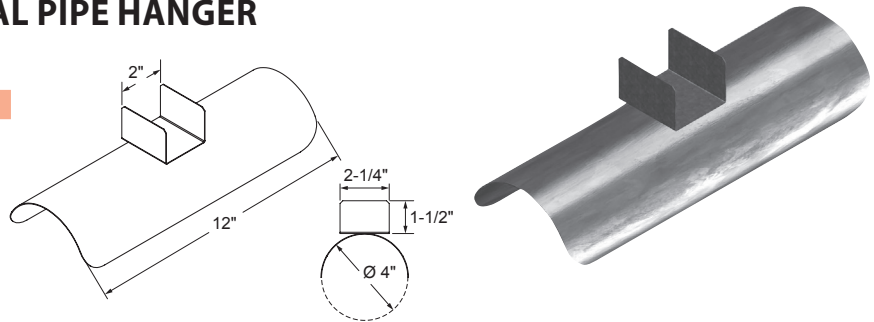
ITEM #	SIZE (")	A (")	GAUGE	WT LBS/EA
430104	4	4-3/16	22	.16
430105	5	5-3/16	22	.19
430106	6	6-3/16	22	.22
430107	7	7-3/16	22	.25
430108	8	8-3/16	22	.28
430109	9	9-3/16	22	.31
430110	10	10-3/16	22	.34
430112	12	12-3/16	22	.40
430114	14	14-1/8	22	.46
430116	16	16-1/16	22	.52
430118	18	18-1/16	22	.58
430120	20	20-1/16	22	.64



- E.&O.E. - Subject to Change Without Notice - May Not Be Available At All Locations -

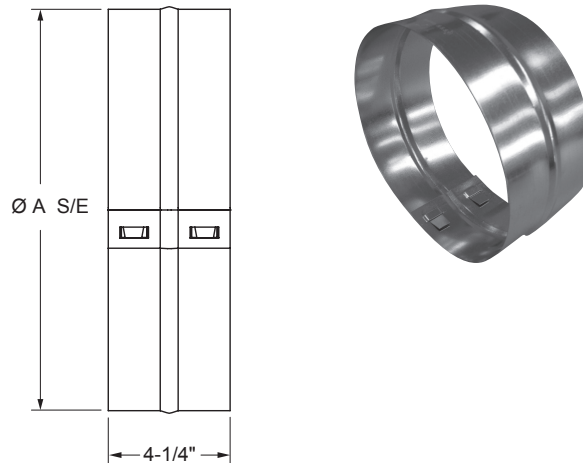
GALVANIZED HALF ROUND SPIRAL PIPE HANGER

ITEM #	SIZE (")	GAUGE	WT LBS/EA
580215	12 × 2	24	.70



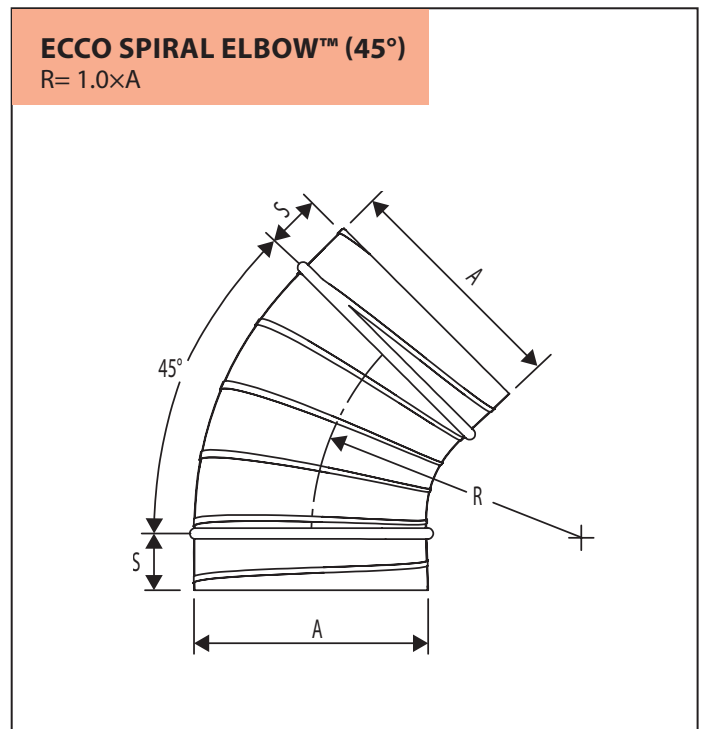
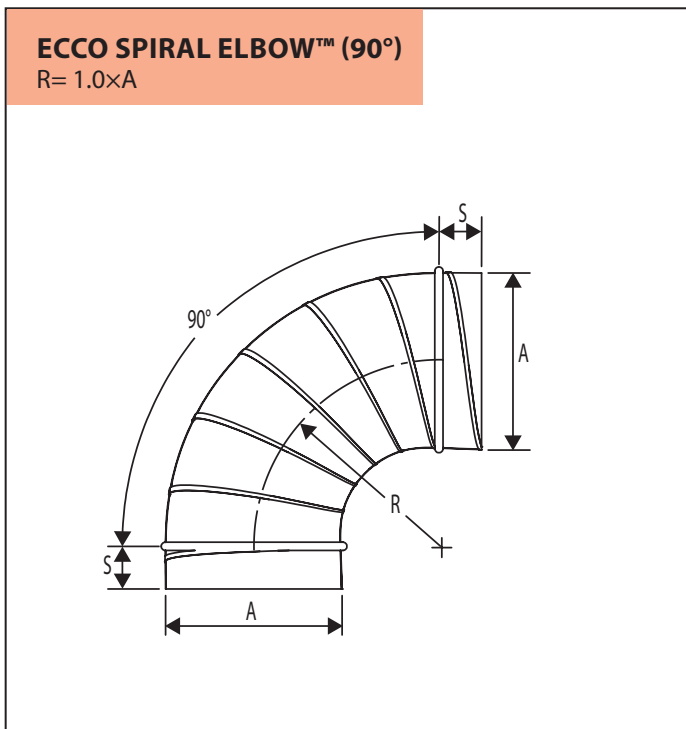
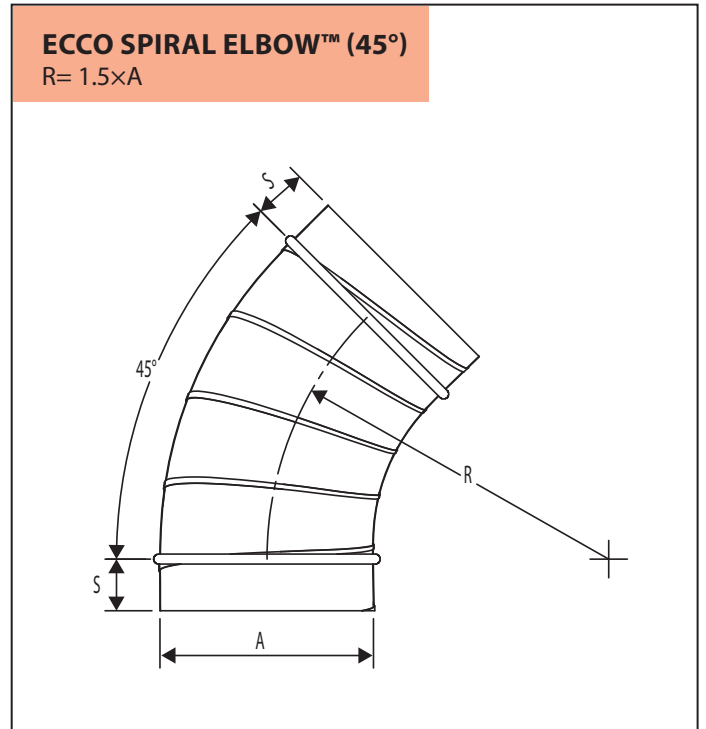
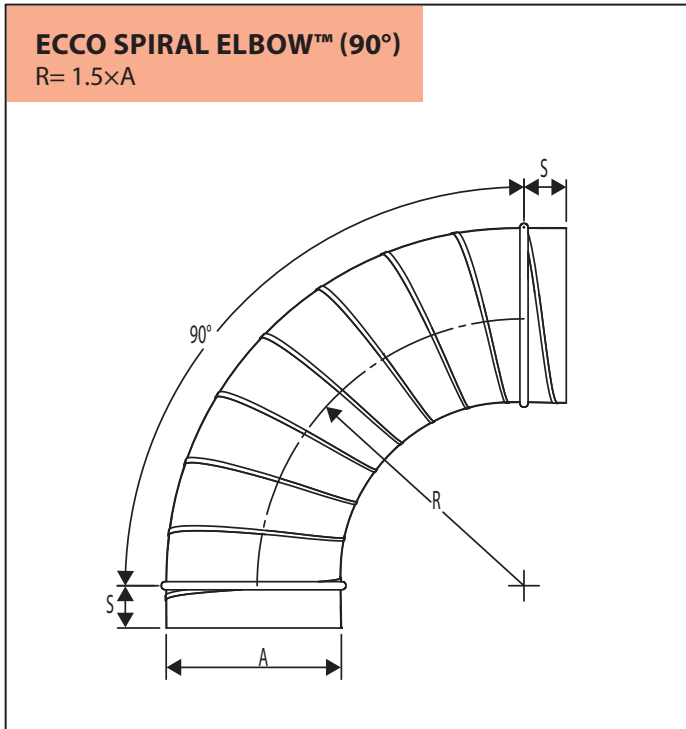
GALVANIZED SPIRAL PIPE COUPLINGS

ITEM #	SIZE	A (")	GAUGE	WT LBS/EA
430324	3	3	24	.36
430424	4	4	24	.46
430524	5	5	24	.50
430624	6	6	24	.60
430724	7	7	24	.70
430824	8	8	24	.80
430924	9	9	24	.90
431024	10	10	24	1.00
431124	11	11	24	1.10
431224	12	12	24	1.20
431324	13	13	24	1.30
431424	14	14	24	1.40
431522	15	15	22	1.80
431622	16	16	22	2.00
431722	17	17	22	2.10
431822	18	18	22	2.20
431922	19	19	22	2.30
432022	20	20	22	2.40
432122	21	21	22	2.60
432222	22	22	22	2.70
432322	23	23	22	2.90
432422	24	24	22	3.00
432622	26	26	22	3.20
432820	28	28	20	4.10
433020	30	30	20	4.30
433220	32	32	20	4.60
433420	34	34	20	5.10
433620	36	36	20	5.20



NOTES: Contact your ECCO™ sales representative for pricing on larger sizes.
Other types of connectors also available.

SPIRAL PIPE FITTINGS — ECCO SPIRAL ELBOW™



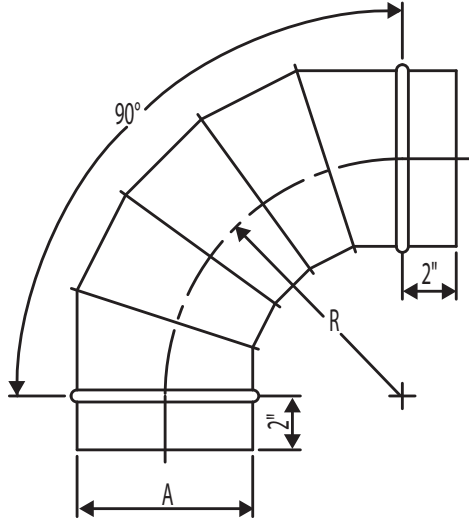
*The drawings shown are illustrative of the types of fittings manufactured. Please contact your local ECCO™ Representative for ordering.

– E.&O.E. – Subject to Change Without Notice – May Not Be Available At All Locations –

SPIRAL PIPE FITTINGS — ELBOWS

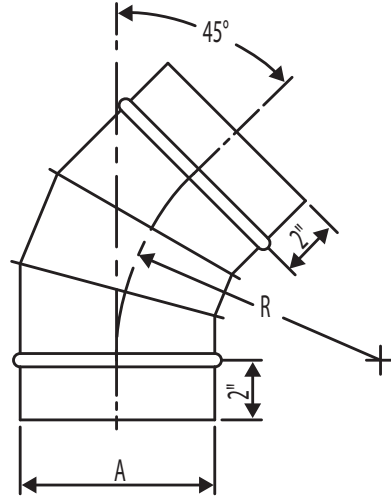
STANDING SEAM ELBOW (90°)

$R = 1.5 \times A$



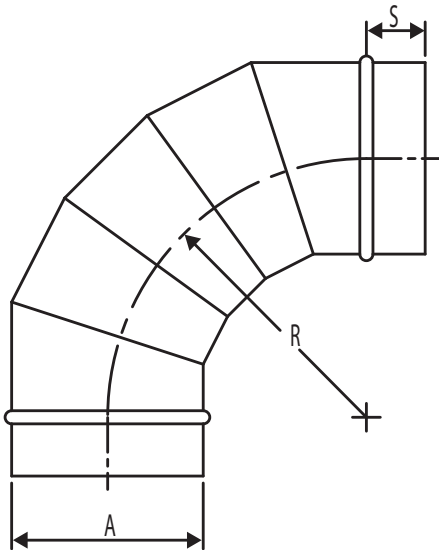
STANDING SEAM ELBOW (45°)

$R = 1.5 \times A$



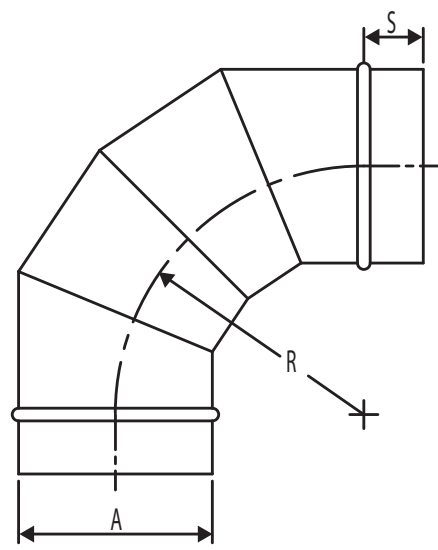
TYPE: E-5-90

90° Elbow – 5 Piece
 $R = 1.5 \times A$



TYPE: E-4-90

90° Elbow – 4 Piece
 $R = 1.0 \times A$ (4 gore)



*The drawings shown are illustrative of the types of fittings manufactured. Please contact your local ECCO™ Representative for ordering.

– E.&O.E. – Subject to Change Without Notice – May Not Be Available At All Locations –

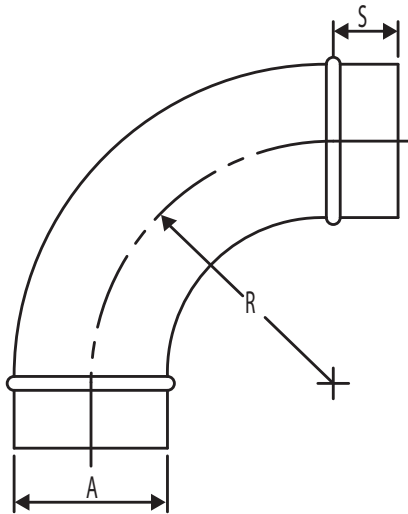
SPIRAL PIPE FITTINGS — ELBOWS (cont'd)

TYPE: E-90-1

Pressed / Stamped 90°

$R = 1.5 \times A$

(4" – 12"Ø)

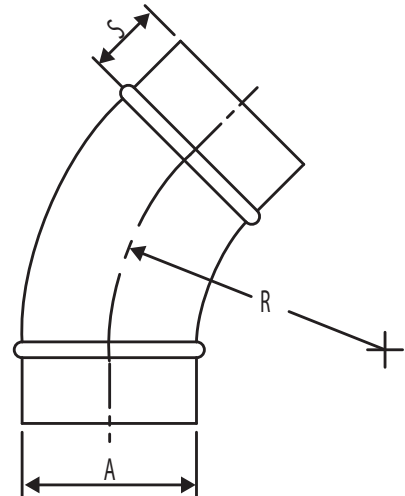


TYPE: E-45-1

Pressed / Stamped 45°

$R = 1.5 \times A$

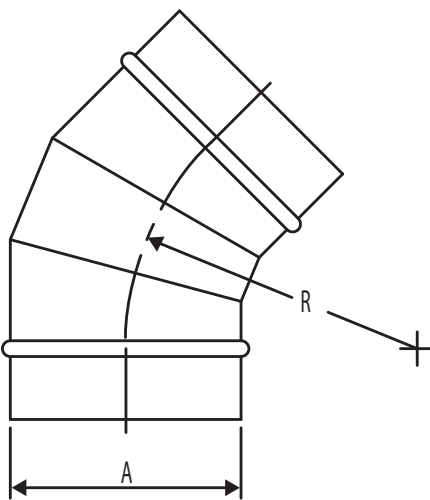
(4" – 12"Ø)



TYPE: E-3-45

45° Elbow

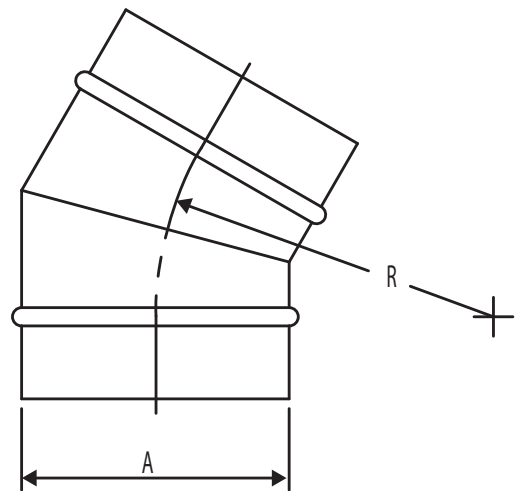
$R = 1.5 \times A$ (3 gore)



TYPE: E-2-30

30° Elbow

$R = 1.0 \times A$

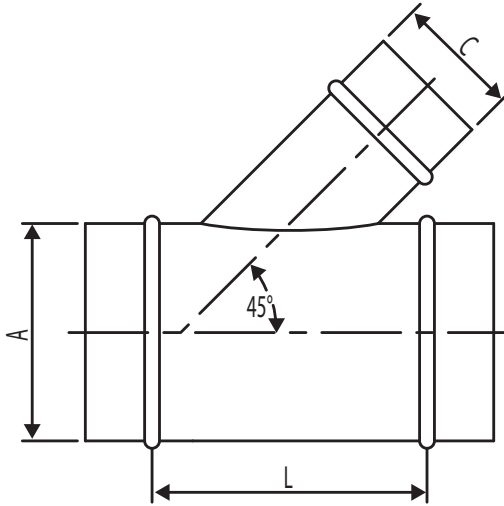


*The drawings shown are illustrative of the types of fittings manufactured. Please contact your local ECCO™ Representative for ordering.

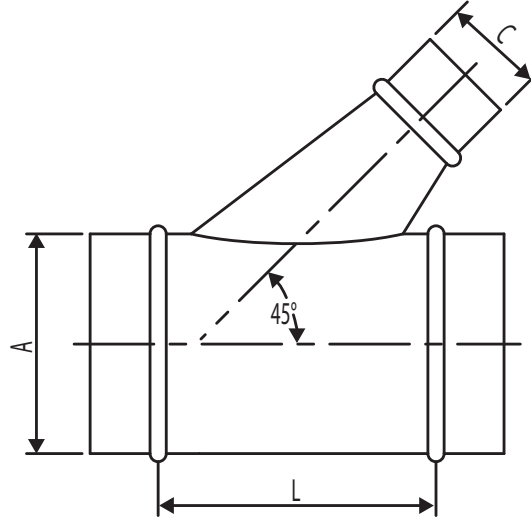
– E.&O.E. – Subject to Change Without Notice – May Not Be Available At All Locations –

SPIRAL PIPE FITTINGS — LATERALS

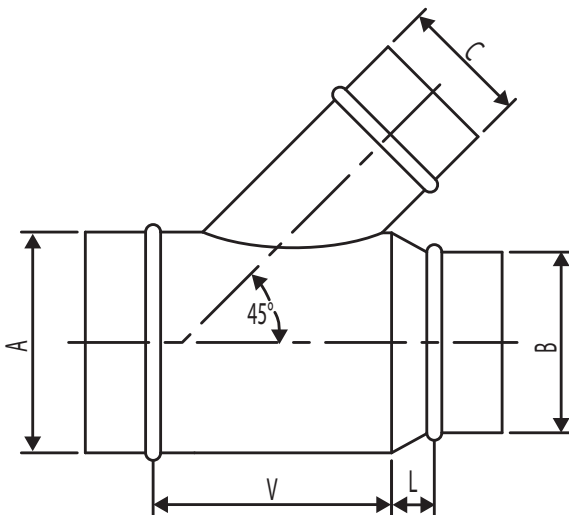
TYPE: L1-45
45° Lateral



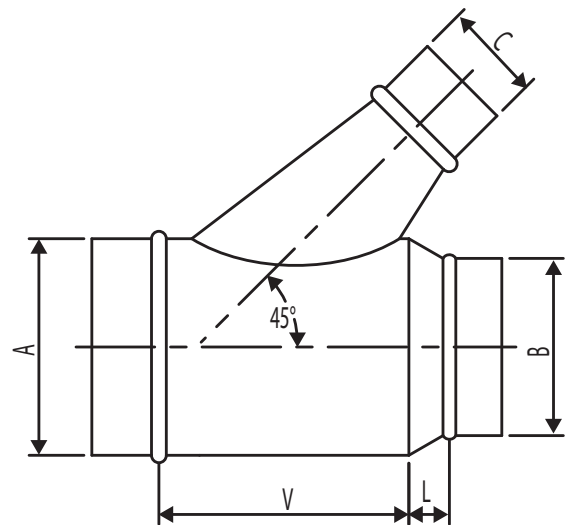
TYPE: CONL-45
Lateral



TYPE: LR1-45
Reducing Lateral



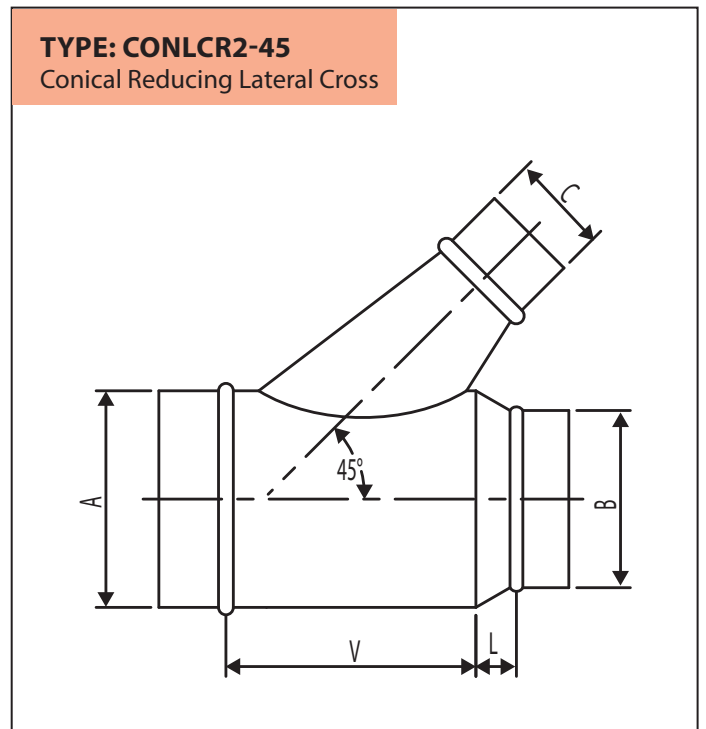
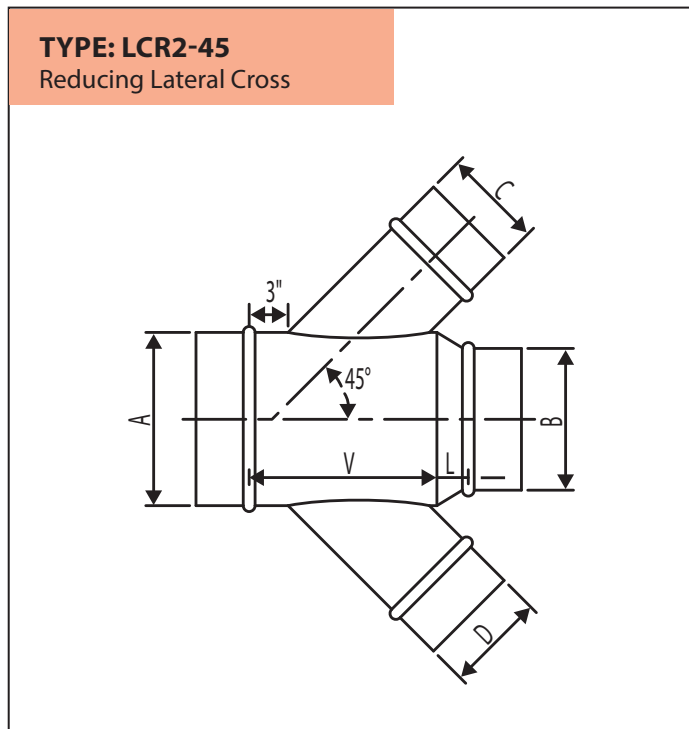
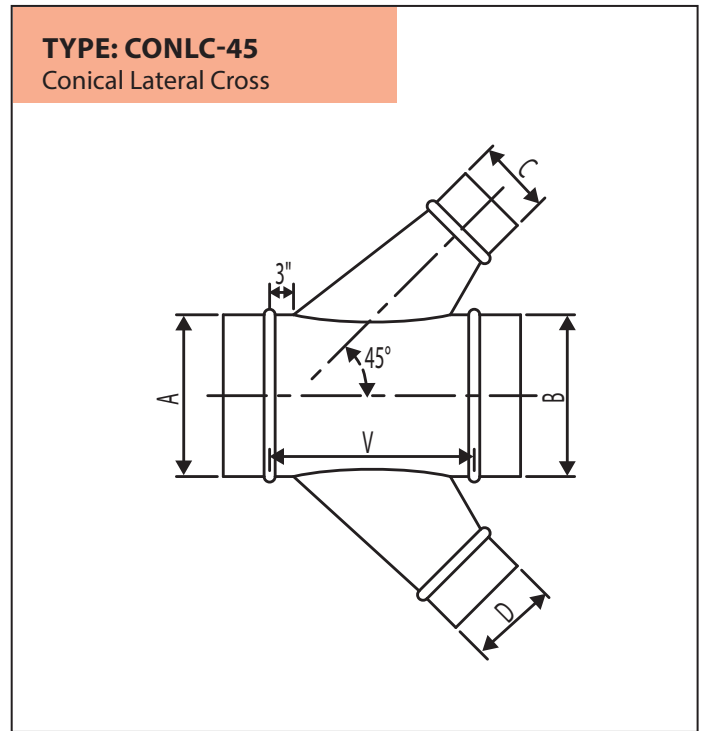
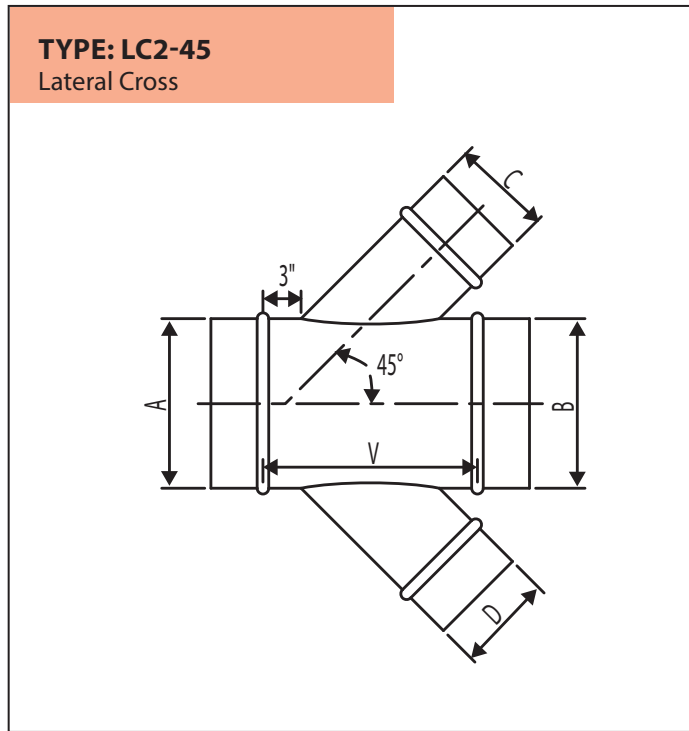
TYPE: CONLR-45
Reducing Conical Lateral



*The drawings shown are illustrative of the types of fittings manufactured. Please contact your local ECCO™ Representative for ordering.

– E.&O.E. – Subject to Change Without Notice – May Not Be Available At All Locations –

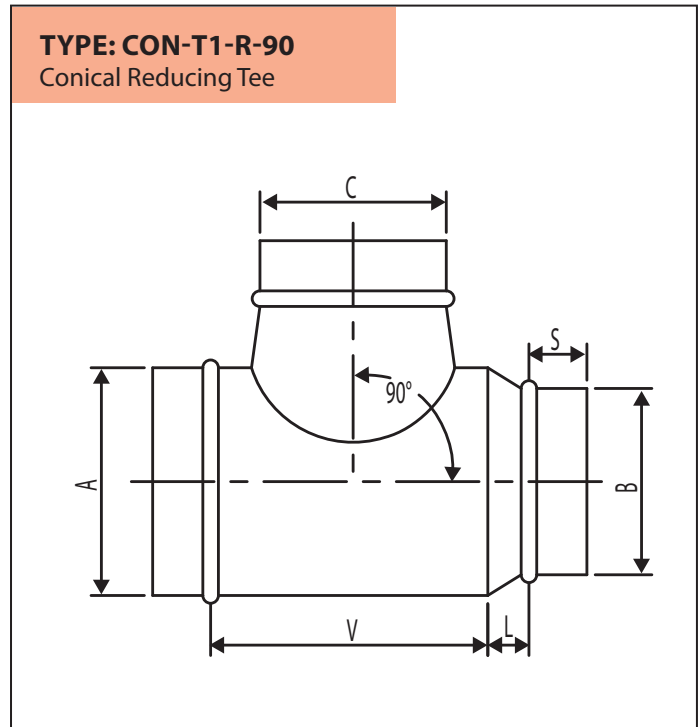
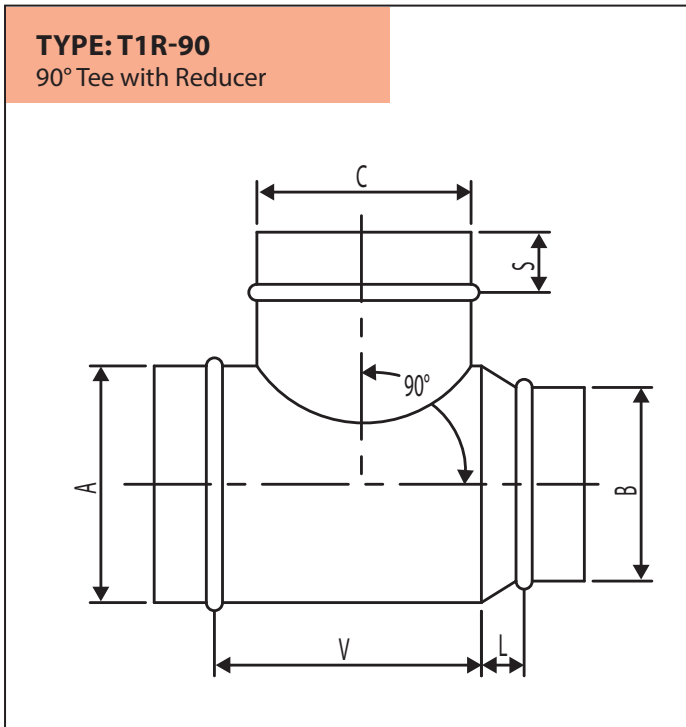
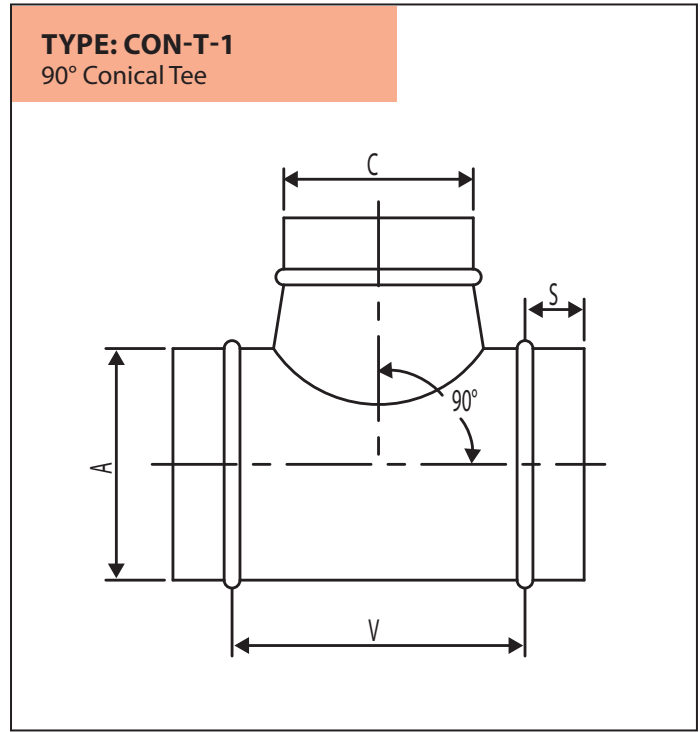
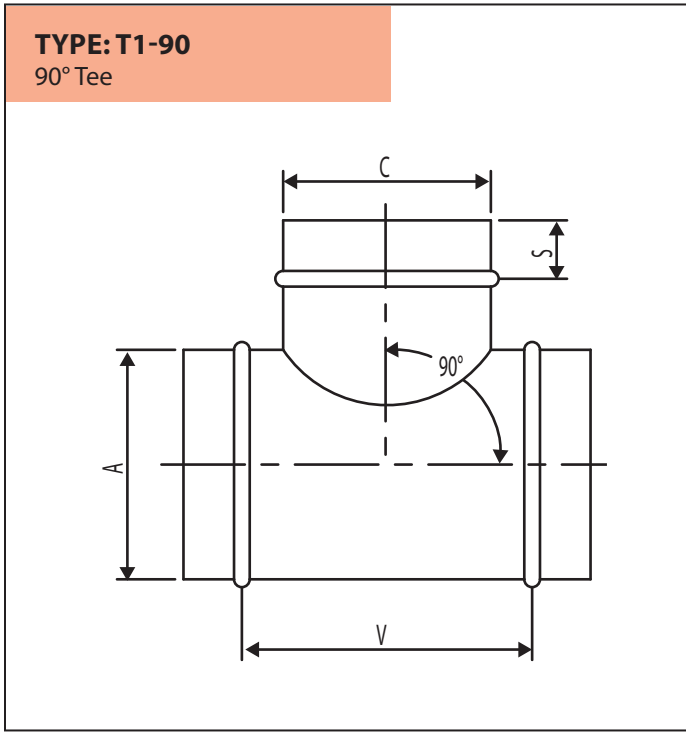
SPIRAL PIPE FITTINGS — LATERAL CROSSES



*The drawings shown are illustrative of the types of fittings manufactured. Please contact your local ECCO™ Representative for ordering.

– E.&O.E. – Subject to Change Without Notice – May Not Be Available At All Locations –

SPIRAL PIPE FITTINGS — TEES

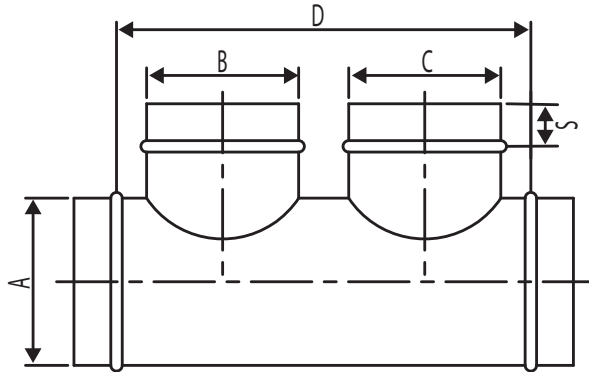


*The drawings shown are illustrative of the types of fittings manufactured. Please contact your local ECCO™ Representative for ordering.

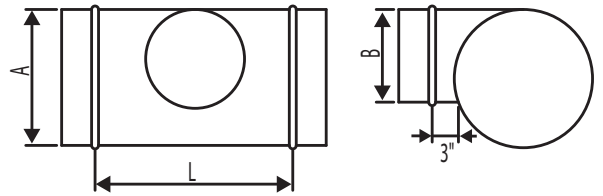
– E.&O.E. – Subject to Change Without Notice – May Not Be Available At All Locations –

SPIRAL PIPE FITTINGS — TEES (cont'd)

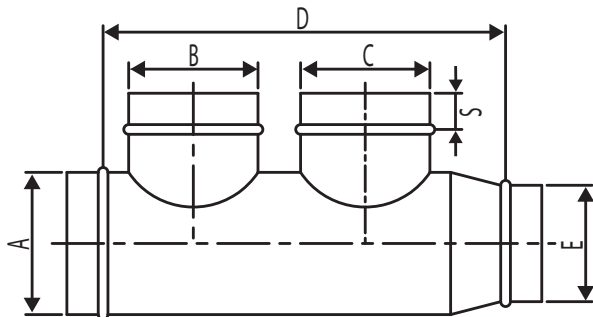
TYPE: T2-90
90° Double Branch Tee



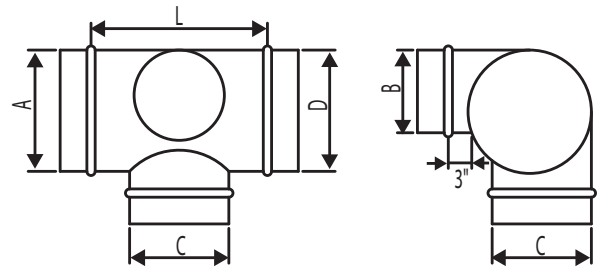
TYPE: TT1-90
Tangential



TYPE: T2-90R
90° Double Branch Tee with Reducer



TYPE: ST2-90
Tangential Cross Tee



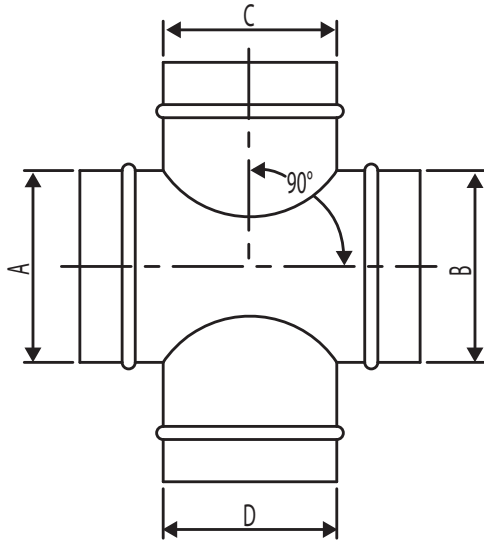
*The drawings shown are illustrative of the types of fittings manufactured. Please contact your local ECCO™ Representative for ordering.

– E.&O.E. – Subject to Change Without Notice – May Not Be Available At All Locations –

SPIRAL PIPE FITTINGS — CROSSES

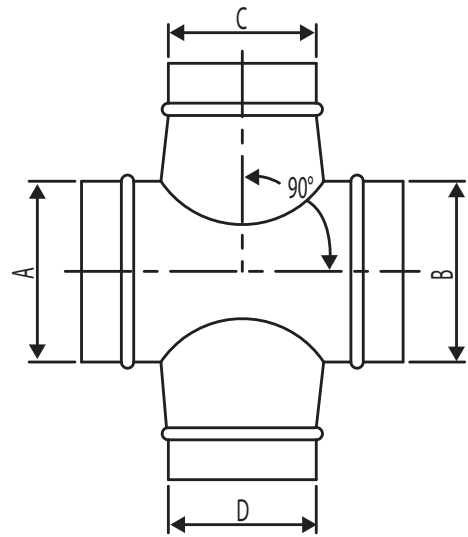
TYPE: C2-180

180° Cross



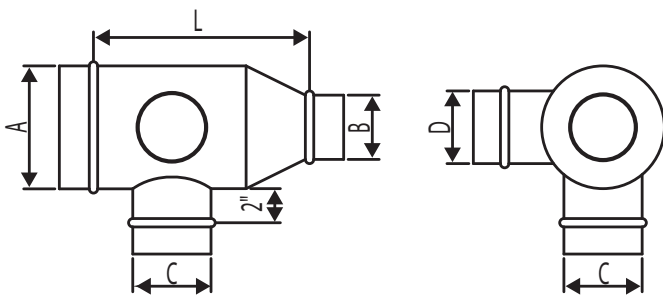
TYPE: CON-T2-90

180° Conical Cross



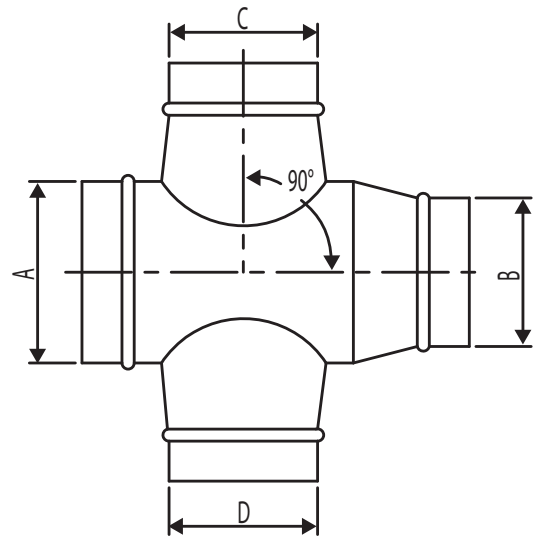
TYPE: CR2-90

90° Cross with Reducer



TYPE: CON-TR2-180

180° Conical Cross with Reducer

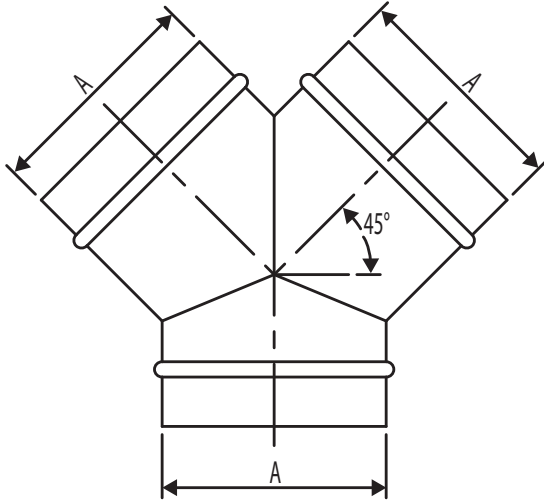


*The drawings shown are illustrative of the types of fittings manufactured. Please contact your local ECCO™ Representative for ordering.

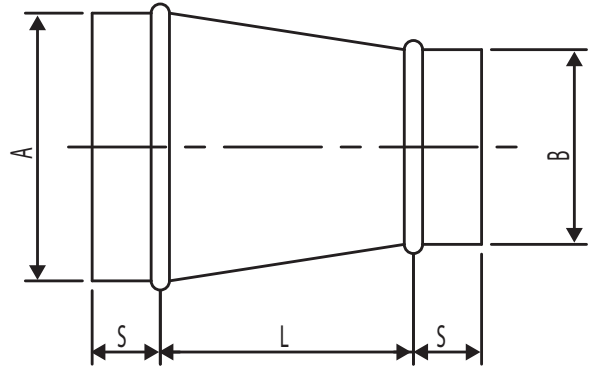
– E.&O.E. – Subject to Change Without Notice – May Not Be Available At All Locations –

SPIRAL PIPE FITTINGS — WYE REDUCERS

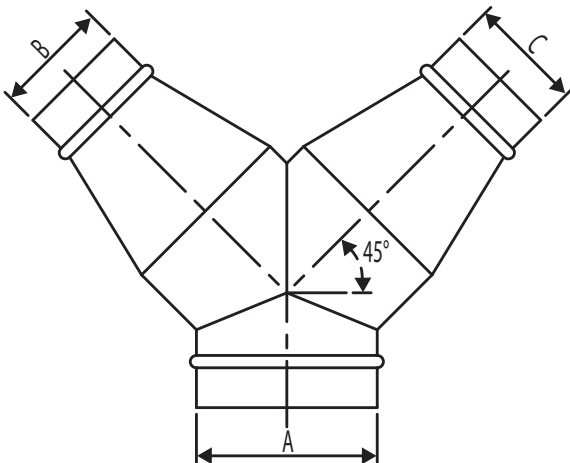
TYPE: Y
Equal Y-45°



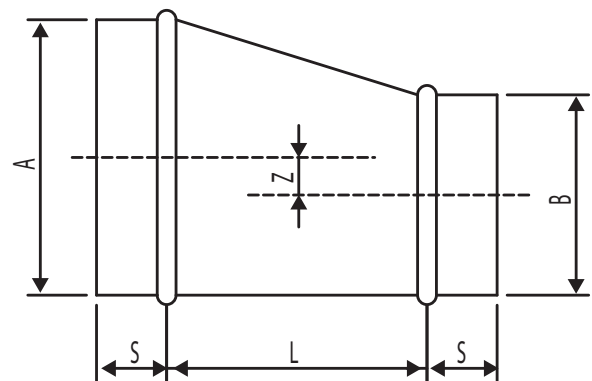
TYPE: CR
Concentric Reducer



TYPE: RED-Y
Reducing Y-45°



TYPE: ER
Eccentric Reducer



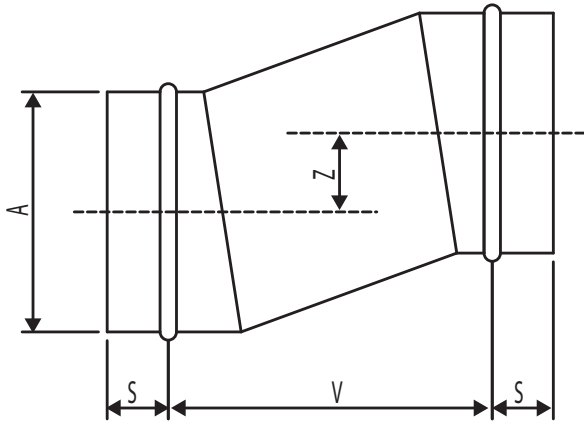
*The drawings shown are illustrative of the types of fittings manufactured. Please contact your local ECCO™ Representative for ordering.

– E.&O.E. – Subject to Change Without Notice – May Not Be Available At All Locations –

SPIRAL PIPE FITTINGS — ACCESSORIES

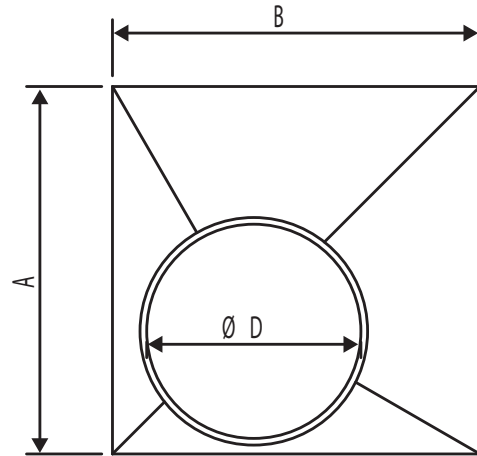
TYPE: SET

Offset

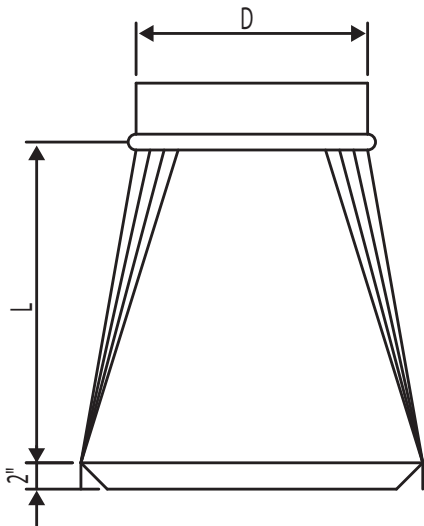


TYPE: SQUARE TO ROUND

Flat Two Sides

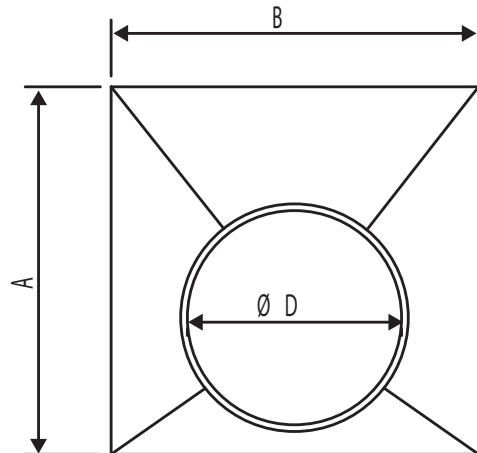


TYPE: SQUARE TO ROUND



TYPE: SQUARE TO ROUND

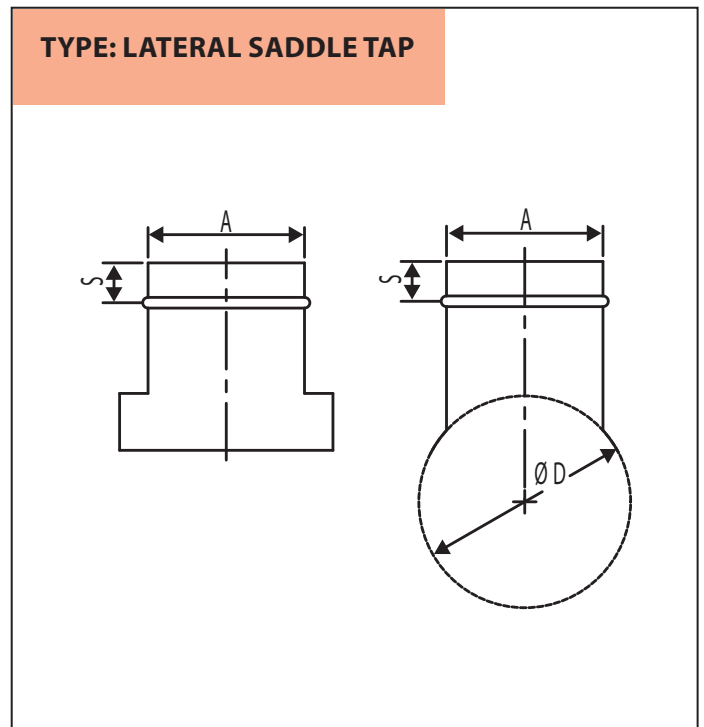
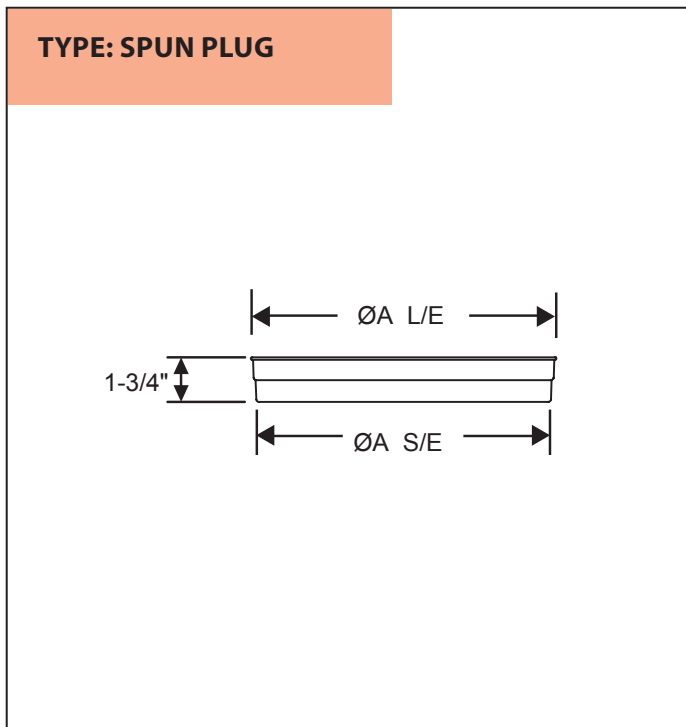
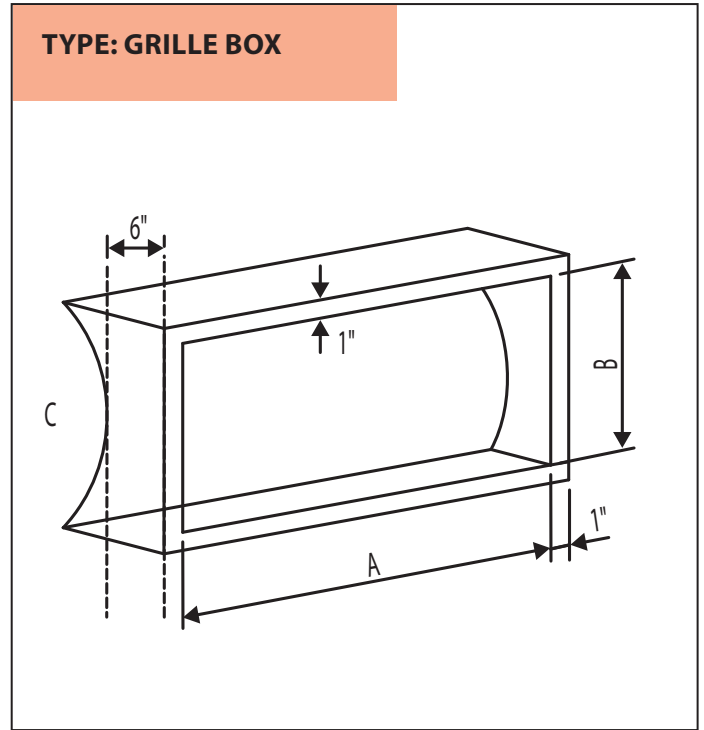
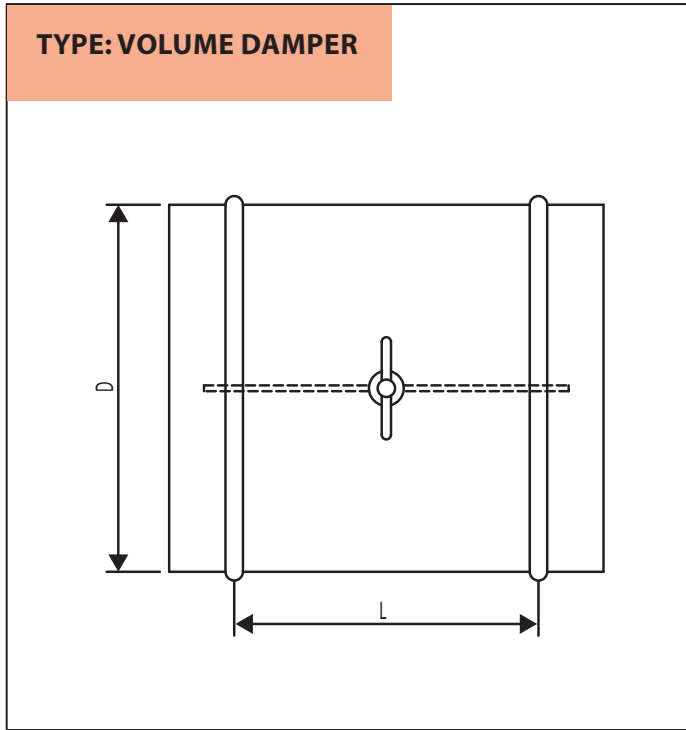
Flat One Side
– On Centre



*The drawings shown are illustrative of the types of fittings manufactured. Please contact your local ECCO™ Representative for ordering.

– E.&O.E. – Subject to Change Without Notice – May Not Be Available At All Locations –

SPIRAL PIPE FITTINGS — ACCESSORIES (cont'd)



*The drawings shown are illustrative of the types of fittings manufactured. Please contact your local ECCO™ Representative for ordering.

– E.&O.E. – Subject to Change Without Notice – May Not Be Available At All Locations –

SPIRAL PIPE CUSTOM ELBOWS — MANUFACTURED TO MEET YOUR SPECIFICATIONS

To help meet your specific requirements, our sales staff will need to know the pressure class or pipe velocity of the system. We can then determine the gauge and construction details. Knowing the degree of the elbow in the pressure class or velocity will also determine the number of segments or gores required.

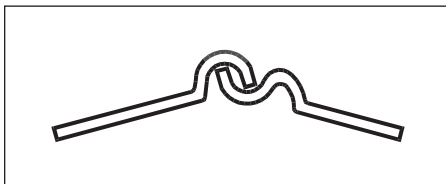
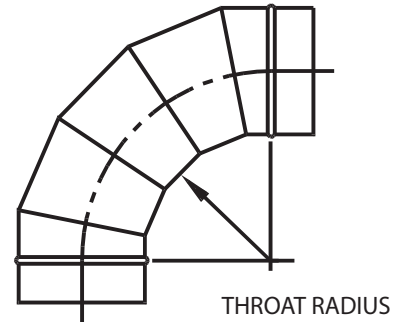
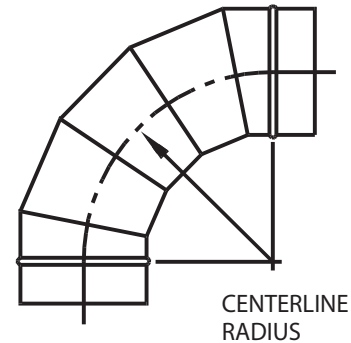
MITERED ELBOWS

Pipe Velocity	R/D Ratio Centerline Radius to Pipe Diameter	Number of Mitered Pieces		
		90°	60°	45°
Up to 1000 fpm	0.6	3	2	2
1001 to 1500 fpm	1.0	4	3	2
Above 1500 fpm	1.5	5	4	3

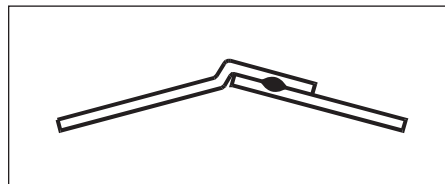
Source: SMACNA HVAC Pipe Construction Standards

Please specify when ordering:

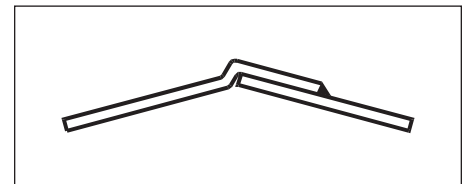
1. Diameter
2. Degree Angle
3. Radius (centerline or throat)
4. Gauge (thickness of material) or pressure class (WG)
5. Number of segments or gores (determined by degree and pressure class) (WG)
6. Material, e.g.: Galvanized; Aluminum; Stainless Steel; PVC Coated; etc.
7. Fitting Connection
 - e.g.: big end/small end rule size;
 - small end/small end spiral size;
 - small end/big end spiral size;
 - big end over spiral/small end into spiral (blow pipe).
8. Construction — determined by pressure class (WG):
 - (a) turned seam;
 - (b) lap and spot;
 - (c) lap and weld;
 - (d) butt weld;
 - (e) standing seam;
 - (f) spiral seam.



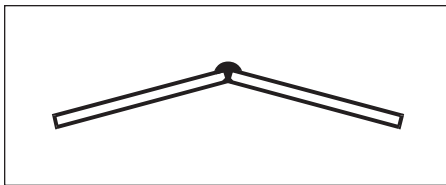
TURNUED SEAM



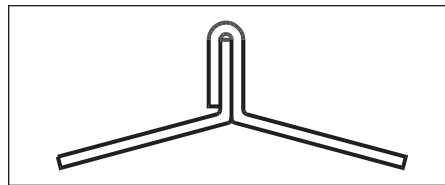
LAP AND SPOT



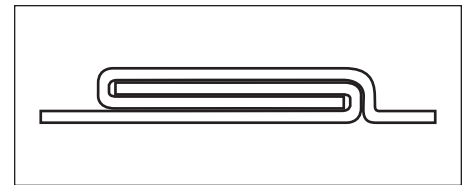
LAP AND WELD



BUTT WELD



STANDING SEAM



SPIRAL SEAM



www.eccomfg.com

Langley Distribution

19860 Fraser Highway
Langley, British Columbia
Canada V3A 4C9

Phone: 604-530-4151
Toll Free: 1-877-955-4805
Fax: 604-533-9335

Calgary Distribution

21 – 11150 38th Street, S.E.
Calgary, Alberta
Canada T2C 2Z6

Phone: 403-720-0895
Toll Free: 1-877-955-4815
Fax: 403-720-0897

Kent Distribution

20001 87th Ave. S, Bldg E
Kent, Washington
USA 98031

Phone: 253-872-3721
Toll Free: 1-800-207-6859
Fax: 253-872-3724

FLAT OVAL DUCT

and FITTINGS



ECCO™ is proud to be a member of:



SMACNA
Sheet Metal and Air
Conditioning Contractors'
National Association
www.smacna.org



HRAI
Heating, Refrigeration and
Air Conditioning
Institute of Canada
www.hrai.ca



HARDI
Heating, Air-conditioning
& Refrigeration
Distributors International
www.hardinet.org



ADI
Air
Distribution
Institute
www.steelduct.org



AD
Affiliated Distributors™
www.adhq.com



CME
Canadian
Manufacturers &
Exporters
www.cme-mec.ca



SPIDA
Spiral Duct
Manufacturers
Association
www.spida.org



FLAT OVAL DUCT AND FITTINGS

INDEX

GALVANIZED FLAT OVAL DUCT

FITTINGS	E1-9
ACCESSORIES	E1-15 – E1-17
CROSSES.....	E1-13
ELBOWS.....	E1-10
GAUGE CHART TO 10" W.G.....	E1-3
LATERALS.....	E1-12
TEES.....	E1-11
TRANSITIONS.....	E1-14
MINOR AXIS 3" – 8" FOR PRESSURE APPLICATIONS TO 10" W.G.	E1-4
MINOR AXIS 10" – 12" FOR PRESSURE APPLICATIONS TO 10" W.G.	E1-5
MINOR AXIS 14" – 16" FOR PRESSURE APPLICATIONS TO 10" W.G.	E1-6
MINOR AXIS 18" – 20" FOR PRESSURE APPLICATIONS TO 10" W.G.	E1-7
MINOR AXIS 22" – 24" FOR PRESSURE APPLICATIONS TO 10" W.G.	E1-8
MINOR AXIS 26" FOR PRESSURE APPLICATIONS TO 10" W.G.	E1-9
PRODUCT AND CONSTRUCTION DATA.....	E1-3
PROFILE.....	E1-3
VANE CHART.....	E1-9

LEGEND

NOTE: The boxed columns throughout the tables are intended to provide a quick determination of ordering dimensions.

ABBREVIATIONS: EQUIV. = Equivalent
 WT (LBS/FT) = Weight pounds per foot

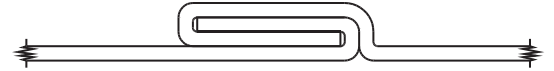
– E.&O.E. – Subject to Change Without Notice – May Not Be Available At All Locations –



FLAT OVAL DUCT AND FITTINGS

GALVANIZED FLAT OVAL DUCT PRODUCT AND CONSTRUCTION DATA

- Flat oval duct is machine-made from round spiral lockseamed duct. The oval shape produces less of a flat surface therefore making it less susceptible to vibration than rectangular ducts which reduces the need for rod and angle iron reinforcement.
- Flat oval duct can be supplied in lengths of up to 12 feet, producing fewer joints to reduce friction loss and installation costs.
- The hanger installation details applicable to rectangular duct are generally applicable to flat oval duct.
- The equivalent round is used to find the friction loss.



Features:

- Airtight 4-ply lockseam
- Low friction loss
- Light weight
- Long lengths

Base Materials:

- Aluminum
- Cold rolled steel
- Galvanized steel
- Perforated steel
- Polyvinyl chloride (PVC) coated steel
- Pre-painted steel
- Stainless steel
- Wiped coat (Galvannealed)

GALVANIZED FLAT OVAL DUCT PROFILE

All the sizes in this catalog are based on Type 2-LC profile which has two light reinforcing corrugations for added strength. It will not develop excessive pressure losses at low velocities.

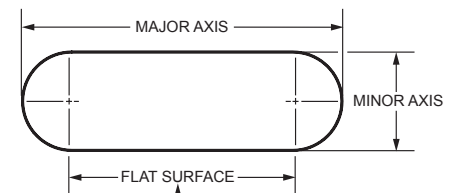


GALVANIZED FLAT OVAL DUCT FITTING GAUGE CHART TO 10" W.G.

MAJOR AXIS DUCT WIDTH (")	SPIRAL SEAM GAUGE	FITTING GAUGE
To 24	24	20
26 to 36	22	20
38 to 48	22	18
50 to 60	20	18
62 to 70	20	16
71 and up	18	16



*Flat Oval is for positive pressure application only.



HANGERS BASED ON FLAT SURFACE AREA, USING RECTANGULAR DUCT HANGER SPECIFICATIONS.

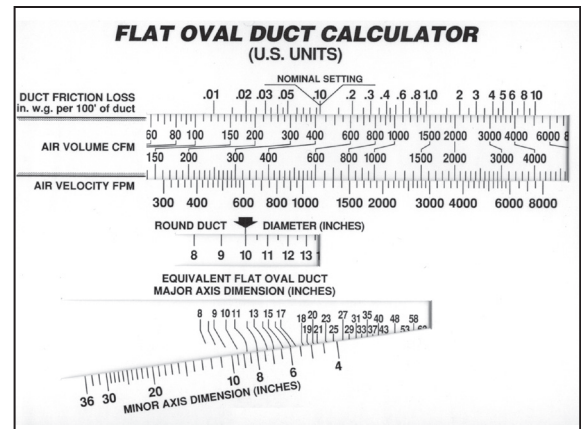
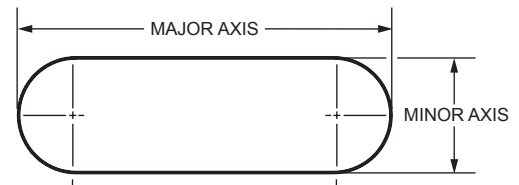
– E.&O.E. – Subject to Change Without Notice – May Not Be Available At All Locations –



FLAT OVAL DUCT AND FITTINGS

GALVANIZED FLAT OVAL DUCT MINOR AXIS 3" – 8" FOR PRESSURE APPLICATIONS TO 10" W.G.

ITEM #	NOMINAL SIZE (")	GA	MAJOR AXIS (")	MINOR AXIS (")	EQUIV. ROUND (")	SPIRAL USED (")	WT LBS/FT
440312	12 x 3	24	12.4	3	6.4	9	3.05
440314	14 x 3	24	14.0	3	6.7	10	3.39
440315	16 x 3	24	15.7	3	7.0	11	3.73
440317	17 x 3	24	17.2	3	7.3	12	4.07
440413	14 x 4	24	13.5	4	7.5	10	3.39
440415	15 x 4	24	15.1	4	8.0	11	3.73
440416	17 x 4	24	16.6	4	8.3	12	4.07
440418	18 x 4	24	18.2	4	8.7	13	4.41
440420	20 x 4	24	19.8	4	9.0	14	4.74
440513	13 x 5	24	12.9	5	8.3	10	3.39
440514	15 x 5	24	14.6	5	8.8	11	3.73
440516	16 x 5	24	16.0	5	9.3	12	4.07
440517	18 x 5	24	17.7	5	9.8	13	4.41
440519	19 x 5	24	19.2	5	10.0	14	4.74
440521	21 x 5	24	20.8	5	10.5	15	5.09
440612	12 x 6	24	12.3	6	9.0	10	3.39
440614	14 x 6	24	14.0	6	9.5	11	3.73
440615	15 x 6	24	15.5	6	10.0	12	4.07
440617	17 x 6	24	17.1	6	10.5	13	4.41
440619	19 x 6	24	18.6	6	11.0	14	4.74
440620	20 x 6	24	20.3	6	11.5	15	5.09
440622	22 x 6	24	21.8	6	11.8	16	5.42
440625	25 x 6	22	25.0	6	12.5	18	7.43
440628	28 x 6	22	28.0	6	13.2	20	8.25
440632	31 x 6	22	31.2	6	13.8	22	9.08
440635	35 x 6	22	34.3	6	14.3	24	9.91
440638	38 x 6	22	37.5	6	14.9	26	10.73
440641	41 x 6	22	40.7	6	15.4	28	11.56
440644	44 x 6	22	43.8	6	15.9	30	12.38
440647	47 x 6	22	47.0	6	16.3	32	13.21
440650	50 x 6	20	50.1	6	16.7	34	16.56
440653	53 x 6	20	53.3	6	17.1	36	17.53
440813	13 x 8	24	12.8	8	10.5	11	3.73
440814	14 x 8	24	14.3	8	11.2	12	4.07
440816	16 x 8	24	15.9	8	11.7	13	4.41
440818	18 x 8	24	17.5	8	12.3	14	4.74
440819	19 x 8	24	19.1	8	12.9	15	5.09
440821	21 x 8	24	20.7	8	13.5	16	5.42
440824	24 x 8	24	23.8	8	14.4	18	6.10
440827	27 x 8	22	26.9	8	15.2	20	8.25
440830	30 x 8	22	30.0	8	15.9	22	9.08
440833	33 x 8	22	33.2	8	16.6	24	9.91
440837	37 x 8	22	36.4	8	17.3	26	10.73
440840	40 x 8	22	39.5	8	17.9	28	11.56
440843	43 x 8	22	42.7	8	18.5	30	12.38
440846	46 x 8	22	45.9	8	19.1	32	13.21
440849	49 x 8	20	49.0	8	19.6	34	16.56
440852	52 x 8	20	52.2	8	20.2	36	17.53



NOTE: Pricing will be based on Type 2–LC Profile.

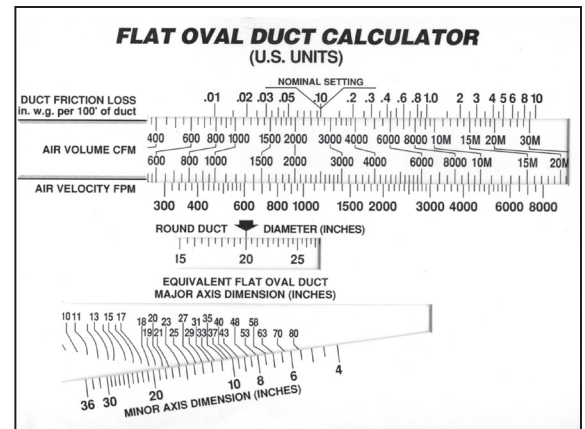
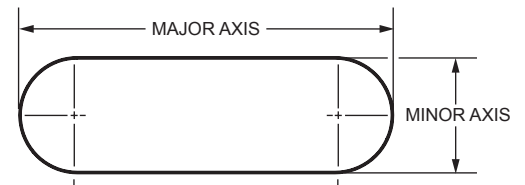
– E.&O.E. – Subject to Change Without Notice – May Not Be Available At All Locations –



FLAT OVAL DUCT AND FITTINGS

GALVANIZED FLAT OVAL DUCT MINOR AXIS 10" – 12" FOR PRESSURE APPLICATIONS TO 10" W.G.

ITEM #	NOMINAL SIZE (")	GA	MAJOR AXIS (")	MINOR AXIS (")	EQUIV. ROUND (")	SPIRAL USED (")	WT LBS/FT
441013	13 x 10	24	13.2	10	11.8	12	4.07
441015	15 x 10	24	14.8	10	12.5	13	4.41
441016	16 x 10	24	16.4	10	13.4	14	4.74
441018	18 x 10	24	18.0	10	14.1	15	5.09
441020	20 x 10	24	19.5	10	14.7	16	5.42
441023	23 x 10	24	22.7	10	15.7	18	6.10
441026	26 x 10	22	25.7	10	16.7	20	8.25
441029	29 x 10	22	28.9	10	17.7	22	9.08
441032	32 x 10	22	32.1	10	18.5	24	9.91
441036	35 x 10	22	35.2	10	19.3	26	10.73
441039	39 x 10	22	38.4	10	20.1	28	11.56
441042	42 x 10	22	41.5	10	20.8	30	12.38
441045	45 x 10	22	44.7	10	21.5	32	13.21
441048	48 x 10	22	47.9	10	22.1	34	14.03
441051	51 x 10	20	51.0	10	22.8	36	17.53
441054	54 x 10	20	54.2	10	23.3	38	18.51
441058	58 x 10	20	57.7	10	23.8	40	19.48
441061	61 x 10	20	60.5	10	24.4	42	20.46
441064	64 x 10	20	63.7	10	25.0	44	21.42
441067	67 x 10	20	66.9	10	25.5	46	22.41
441070	70 x 10	20	70.0	10	26.0	48	23.36
441073	73 x 10	18	73.5	10	26.4	50	32.95
441076	77 x 10	18	76.6	10	27.0	52	34.27
441215	15 x 12	24	15.2	12	13.8	14	4.74
441218	18 x 12	24	18.4	12	15.3	16	5.42
441221	22 x 12	24	21.5	12	16.7	18	6.10
441225	25 x 12	22	24.6	12	18.0	20	8.25
441228	28 x 12	22	27.7	12	19.1	22	9.08
441231	31 x 12	22	30.9	12	20.1	24	9.91
441234	34 x 12	22	34.1	12	20.9	26	10.73
441238	37 x 12	22	37.2	12	21.9	28	11.56
441241	41 x 12	22	40.4	12	22.7	30	12.38
441244	44 x 12	22	43.6	12	23.5	32	13.21
441247	47 x 12	22	46.7	12	24.3	34	14.03
441250	50 x 12	20	49.9	12	25.0	36	17.53
441253	53 x 12	20	53.1	12	25.7	38	18.51
441256	56 x 12	20	56.6	12	26.3	40	19.48
441260	60 x 12	20	59.4	12	26.9	42	20.46
441263	63 x 12	20	62.6	12	27.5	44	21.42
441266	66 x 12	20	65.7	12	28.1	46	22.41
441269	69 x 12	20	68.9	12	28.7	48	23.36
441272	72 x 12	18	72.4	12	29.2	50	32.95
441276	75 x 12	18	75.5	12	29.7	52	34.27
441279	79 x 12	18	78.6	12	30.4	54	35.59



NOTE: Pricing will be based on Type 2–LC Profile.

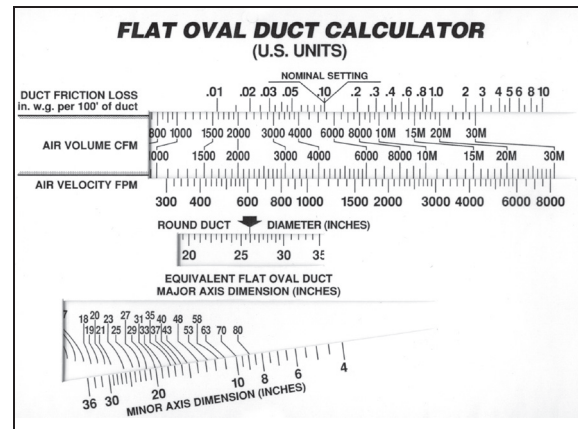
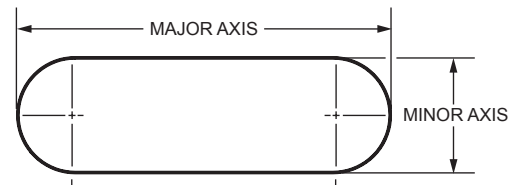
– E.&O.E. – Subject to Change Without Notice – May Not Be Available At All Locations –



FLAT OVAL DUCT AND FITTINGS

GALVANIZED FLAT OVAL DUCT MINOR AXIS 14" – 16" FOR PRESSURE APPLICATIONS TO 10" W.G.

ITEM #	NOMINAL SIZE (")	GA	MAJOR AXIS (")	MINOR AXIS (")	EQUIV. ROUND (")	SPIRAL USED (")	WT LBS/FT
441417	17 x 14	24	17.2	14	16.0	16	5.42
441420	20 x 14	24	20.4	14	17.5	18	6.10
441423	24 x 14	24	23.4	14	18.9	20	6.78
441427	27 x 14	22	26.6	14	20.2	22	9.08
441430	30 x 14	22	29.8	14	21.3	24	9.91
441433	33 x 14	22	33.0	14	22.4	26	10.73
441436	36 x 14	22	36.1	14	23.4	28	11.56
441440	39 x 14	22	39.3	14	24.4	30	12.38
441443	43 x 14	22	42.5	14	25.3	32	13.21
441446	46 x 14	22	45.6	14	26.1	34	14.63
441449	49 x 14	20	48.8	14	26.9	36	17.53
441452	52 x 14	20	51.9	14	27.7	38	18.51
441455	55 x 14	20	55.4	14	28.4	40	19.48
441458	58 x 14	20	58.3	14	29.1	42	20.46
441462	61 x 14	20	61.4	14	29.8	44	21.42
441465	65 x 14	20	64.6	14	30.5	46	22.41
441468	68 x 14	20	67.8	14	31.1	48	23.36
441471	71 x 14	18	71.3	14	31.7	50	32.95
441475	74 x 14	18	74.4	14	32.3	52	34.27
441477	77 x 14	18	77.4	14	32.9	54	35.59
441481	81 x 14	18	80.5	14	33.6	56	36.90
441626	26 x 16	22	25.5	16	21.0	22	9.08
441629	29 x 16	22	28.7	16	22.3	24	9.91
441632	32 x 16	22	31.8	16	23.5	26	10.73
441635	35 x 16	22	35.0	16	24.7	28	11.56
441638	38 x 16	22	38.1	16	25.7	30	12.38
441642	41 x 16	22	41.3	16	26.8	32	13.21
441645	45 x 16	22	44.4	16	27.7	34	14.03
441648	48 x 16	22	47.6	16	28.6	36	14.87
441651	51 x 16	20	50.8	16	29.4	38	18.51
441654	54 x 16	20	54.3	16	30.2	40	19.48
441657	57 x 16	20	57.1	16	31.0	42	20.46
441660	60 x 16	20	60.3	16	31.8	44	21.42
441664	64 x 16	20	63.4	16	32.5	46	22.41
441667	67 x 16	20	66.6	16	33.3	48	23.36
441670	70 x 16	20	70.1	16	34.1	50	24.37
441673	73 x 16	18	73.2	16	34.6	52	34.27
441676	76 x 16	18	76.3	16	35.3	54	35.59
441679	79 x 16	18	79.4	16	35.9	56	36.90



NOTE: Pricing will be based on Type 2-LC Profile.

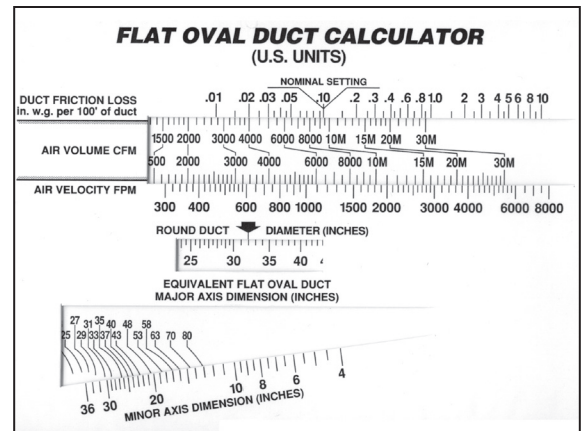
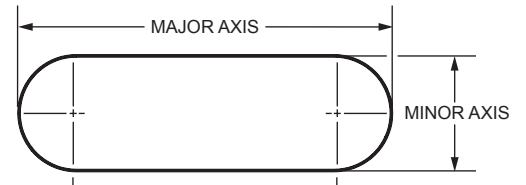
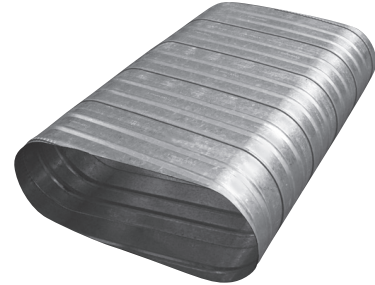
-E.&O.E. - Subject to Change Without Notice - May Not Be Available At All Locations -



FLAT OVAL DUCT AND FITTINGS

GALVANIZED FLAT OVAL DUCT MINOR AXIS 18" – 20" FOR PRESSURE APPLICATIONS TO 10" W.G.

ITEM #	NOMINAL SIZE (")	GA	MAJOR AXIS (")	MINOR AXIS (")	EQUIV. ROUND (")	SPIRAL USED (")	WT LBS/FT
441828	28 x 18	22	27.5	18	23.1	24	9.91
441831	31 x 18	22	30.7	18	24.5	26	10.73
441834	34 x 18	22	33.8	18	25.7	28	11.56
441837	37 x 18	22	37.0	18	27.0	30	12.38
441840	40 x 18	22	40.2	18	28.1	32	13.21
441844	43 x 18	22	43.3	18	29.1	34	14.03
441847	47 x 18	22	46.5	18	30.2	36	14.87
441850	50 x 18	20	49.6	18	31.1	38	18.51
441853	53 x 18	20	53.1	18	32.0	40	19.48
441856	56 x 18	20	56.0	18	32.9	42	20.46
441859	59 x 18	20	59.1	18	33.7	44	21.42
441862	63 x 18	20	62.3	18	34.5	46	22.41
441866	65 x 18	20	65.5	18	35.4	48	23.36
441869	69 x 18	20	69.0	18	36.0	50	24.37
441872	72 x 18	18	72.0	18	36.5	52	34.27
441875	75 x 18	18	75.1	18	37.5	54	35.59
441878	78 x 18	18	78.3	18	38.1	56	36.90
441881	81 x 18	18	81.3	18	38.8	58	38.22
442027	27 x 20	22	26.4	20	23.6	24	9.91
442030	30 x 20	22	29.5	20	25.2	26	10.73
442033	33 x 20	22	32.7	20	26.6	28	11.56
442036	36 x 20	22	35.8	20	28.0	30	12.38
442039	39 x 20	22	39.0	20	29.2	32	13.21
442042	42 x 20	22	42.2	20	30.3	34	14.03
442046	45 x 20	22	45.3	20	31.5	36	14.87
442049	49 x 20	20	48.5	20	32.5	38	18.51
442052	52 x 20	20	52.0	20	33.5	40	19.48
442055	55 x 20	20	54.8	20	34.4	42	20.46
442058	58 x 20	20	58.0	20	35.5	44	21.42
442061	61 x 20	20	61.1	20	36.2	46	22.41
442064	64 x 20	20	64.3	20	37.1	48	23.36
442068	68 x 20	20	67.8	20	38.0	50	24.37
442071	71 x 20	18	70.9	20	38.5	52	34.27
442074	74 x 20	18	74.0	20	39.5	54	35.59
442077	77 x 20	18	77.1	20	40.2	56	36.90
442080	80 x 20	18	80.1	20	40.4	58	38.22



NOTE: Pricing will be based on Type 2-LC Profile.

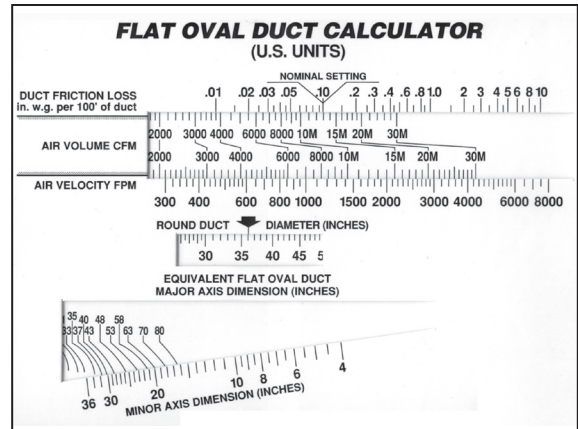
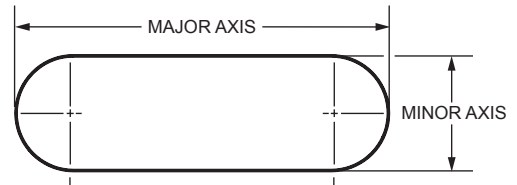
-E.&O.E. - Subject to Change Without Notice - May Not Be Available At All Locations -



FLAT OVAL DUCT AND FITTINGS

GALVANIZED FLAT OVAL DUCT MINOR AXIS 22" – 24" FOR PRESSURE APPLICATIONS TO 10" W.G.

ITEM #	NOMINAL SIZE (")	GA	MAJOR AXIS (")	MINOR AXIS (")	EQUIV. ROUND (")	SPIRAL USED (")	WT LBS/FT
442231	32 x 22	22	31.5	22	27.2	28	11.56
442235	35 x 22	22	34.7	22	28.7	30	12.38
442238	38 x 22	22	37.9	22	30.0	32	13.21
442241	41 x 22	22	41.0	22	31.3	34	14.03
442244	44 x 22	22	44.2	22	32.5	36	14.87
442247	48 x 22	22	47.3	22	33.7	38	15.69
442250	51 x 22	20	50.9	22	34.8	40	19.48
442253	54 x 22	20	53.7	22	35.8	42	20.46
442257	57 x 22	20	56.8	22	36.7	44	21.42
442260	60 x 22	20	60.0	22	37.8	46	22.41
442263	63 x 22	20	63.2	22	38.7	48	23.36
442266	67 x 22	20	66.7	22	39.6	50	24.37
442269	70 x 22	20	69.8	22	40.4	52	25.34
442272	73 x 22	18	72.9	22	41.1	54	35.59
442276	76 x 22	18	76.0	22	42.2	56	36.90
442279	79 x 22	18	79.0	22	42.9	58	38.22
442430	31 x 24	22	30.4	24	28.1	28	11.56
442434	34 x 24	22	33.6	24	30.8	30	12.38
442437	37 x 24	22	36.7	24	30.8	32	13.21
442440	40 x 24	22	39.9	24	32.2	34	14.03
442443	43 x 24	22	43.1	24	33.5	36	14.87
442446	46 x 24	22	41.2	24	34.7	38	15.69
442449	50 x 24	20	49.7	24	35.9	40	19.48
442453	53 x 24	20	52.6	24	37.0	42	20.46
442456	56 x 24	20	55.7	24	38.1	44	21.42
442459	59 x 24	20	58.9	24	39.2	46	22.41
442463	62 x 24	20	62.1	24	40.1	48	23.36
442466	65 x 24	20	65.6	24	41.1	50	24.37
442469	69 x 24	20	68.6	24	42.0	52	25.34
442471	72 x 24	18	71.7	24	43.1	54	35.59
442474	75 x 24	18	74.8	24	43.9	56	36.90
442478	78 x 24	18	77.8	24	44.7	58	38.22
442481	81 x 24	18	81.1	24	45.6	60	39.54



NOTE: Pricing will be based on Type 2-LC Profile.

-E.&O.E. - Subject to Change Without Notice - May Not Be Available At All Locations -



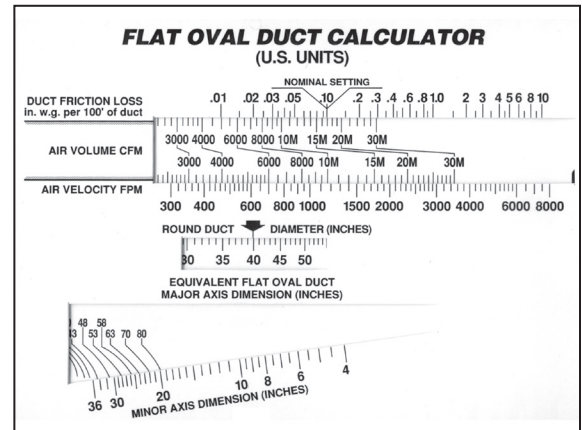
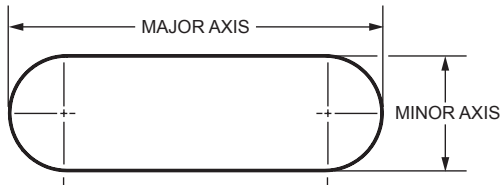
FLAT OVAL DUCT AND FITTINGS

GALVANIZED FLAT OVAL DUCT MINOR AXIS 26" FOR PRESSURE APPLICATIONS TO 10" W.G.

ITEM #	NOMINAL SIZE (")	GA	MAJOR AXIS (")	MINOR AXIS (")	EQUIV. ROUND (")	SPIRAL USED (")	WT LBS/FT
442636	36 × 26	22	35.6	26	31.5	32	13.21
442639	39 × 26	22	38.7	26	33.0	34	14.03
442642	42 × 26	22	41.9	26	34.4	36	14.87
442645	45 × 26	22	45.1	26	35.8	38	15.69
442648	48 × 26	22	48.6	26	37.1	40	16.50
442652	52 × 26	20	51.4	26	38.3	42	20.46
442655	55 × 26	20	59.6	26	39.5	44	21.42
442658	58 × 26	20	57.7	26	40.6	46	22.41
442661	61 × 26	20	60.9	26	41.6	48	23.36
442664	64 × 26	20	64.4	26	42.7	50	24.37
442667	67 × 26	20	67.5	26	43.7	52	25.34
442671	71 × 26	18	70.6	26	44.6	54	35.59
442674	74 × 26	18	73.7	26	45.6	56	36.90
442677	77 × 26	18	76.7	26	46.5	58	38.22
442680	80 × 26	18	80.0	26	47.5	60	39.54



NOTE: Pricing will be based on Type 2–LC Profile.



GALVANIZED FLAT OVAL DUCT FITTINGS

ECCO Flat Oval Duct fittings are produced from galvanized steel meeting SMACNA HVAC Duct Construction Standards.

When ordering:

- Specify type and list all dimensions.
- Describe any variations from standard.
- Standard end connection shall be 2" in length and is considered to be the sleeve for slip joint assembly of flat oval duct to fittings.
- The drawings shown are illustrative of the types of fittings manufactured.
- Flat Oval Duct is to be used in **positive pressure** applications only.
- Vanstone, Ovalmate™ and other flange connections are available by special order.

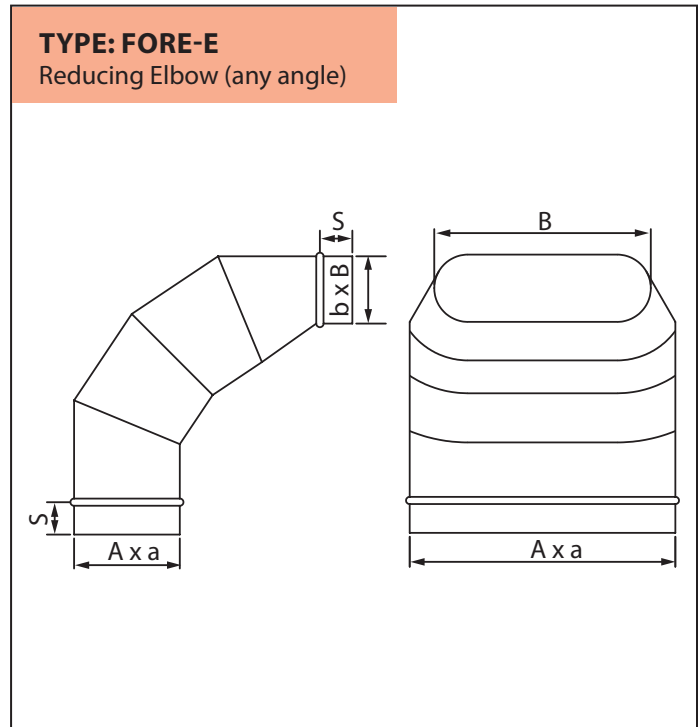
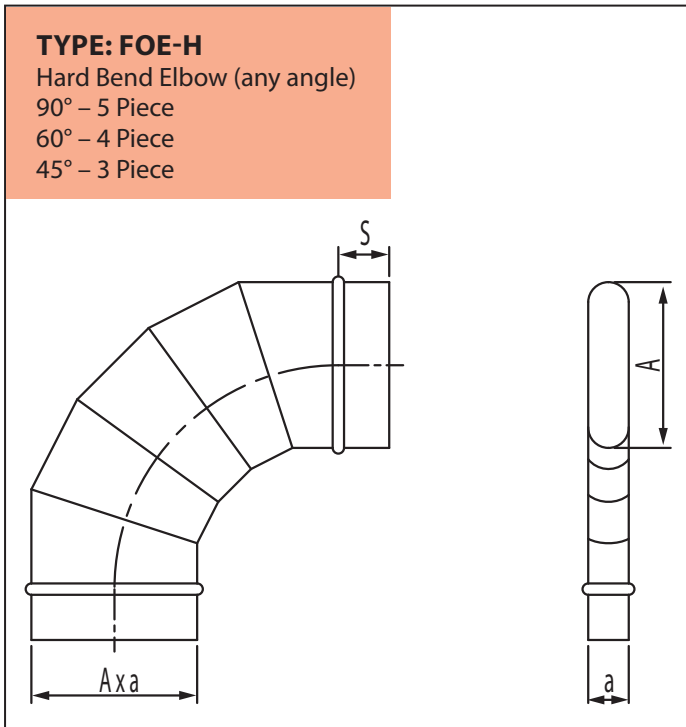
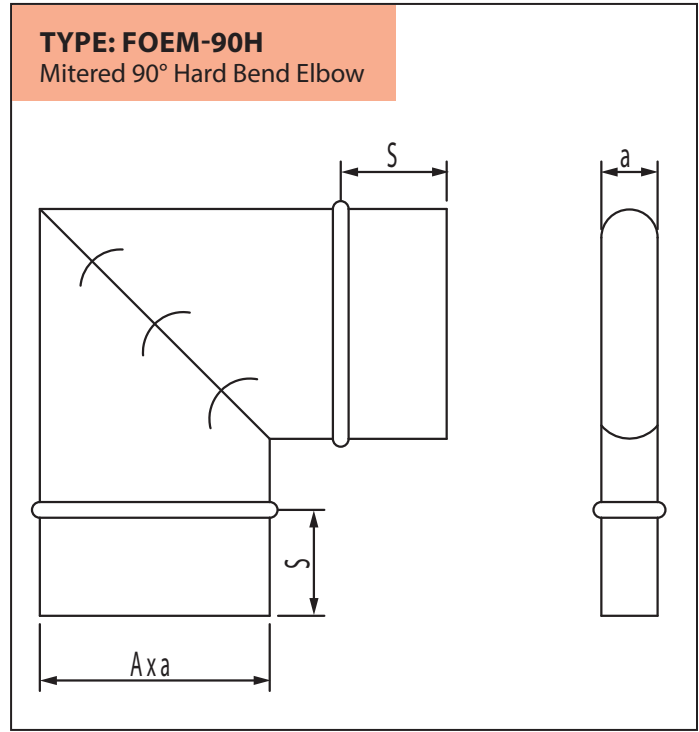
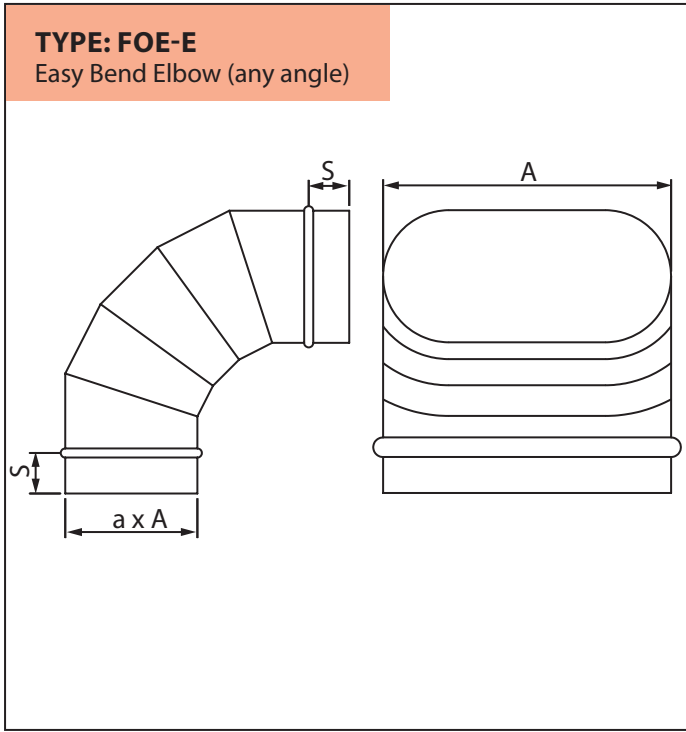
VANE CHART

For mitered elbows and tees use the following chart if vanes are required.

"A" Dimension	Number of VANES
3" – 9"	2
10" – 14"	3
15" – 19"	4
20" – 60"	5
Over 60"	12" spacing

– E.&O.E. – Subject to Change Without Notice – May Not Be Available At All Locations –

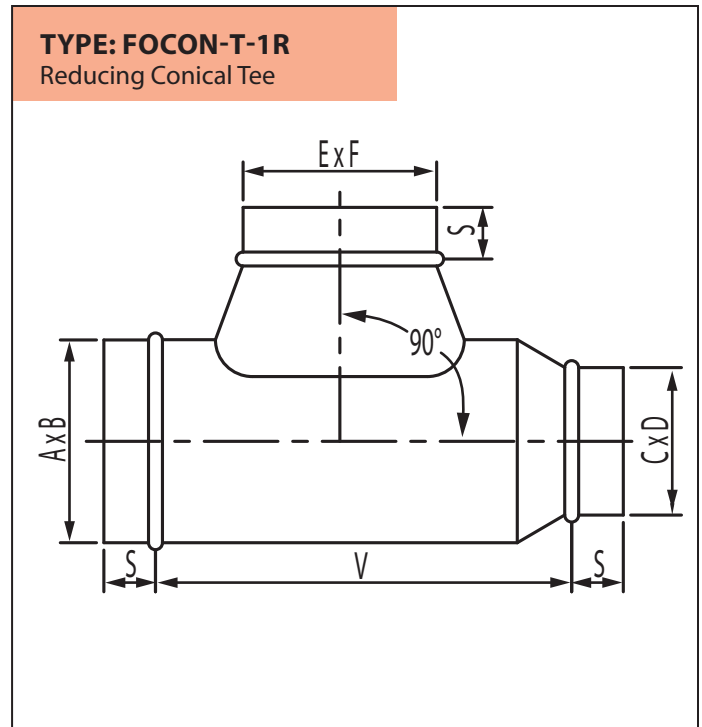
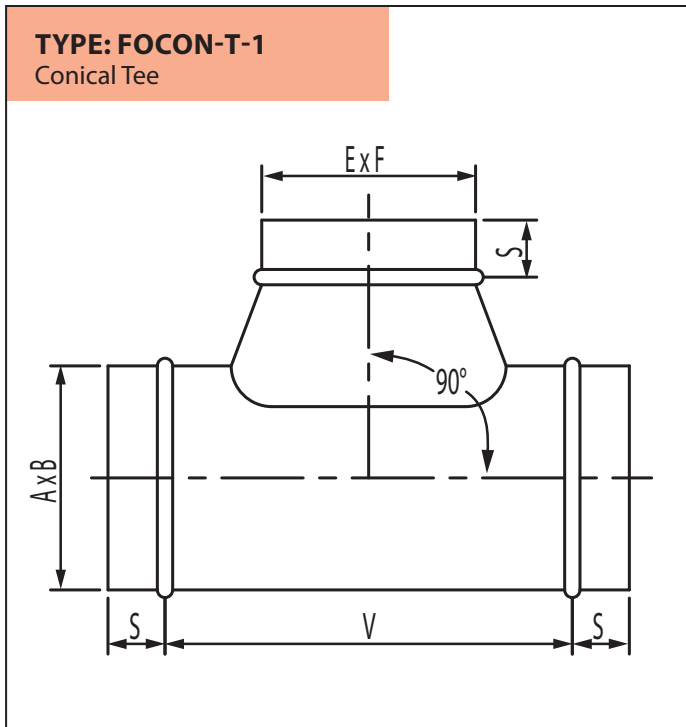
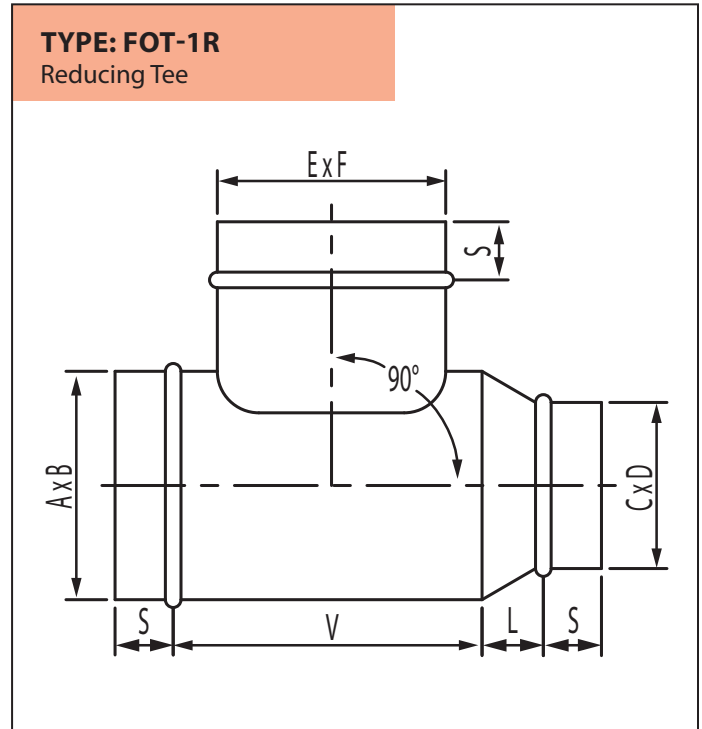
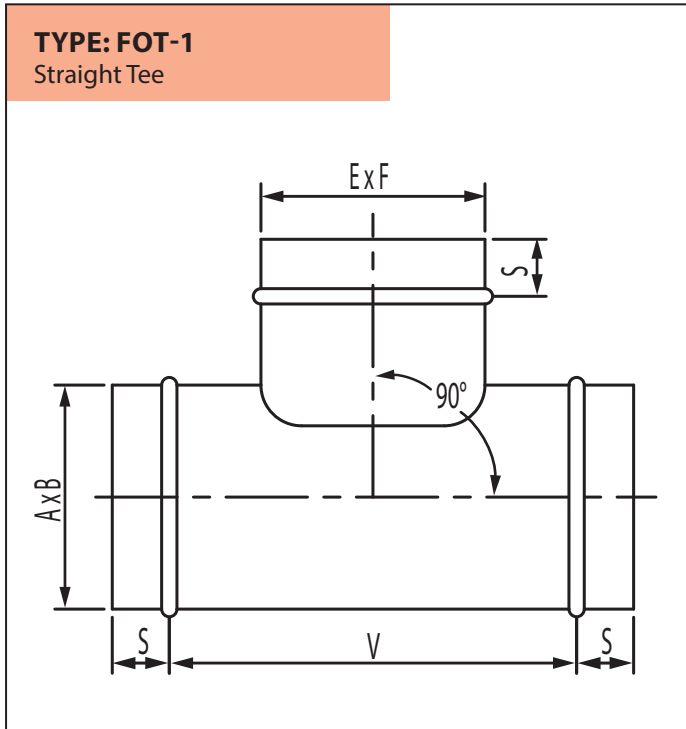
FLAT OVAL DUCT FITTINGS — ELBOWS



*The drawings shown are illustrative of the types of fittings manufactured. Please contact your local ECCO™ Representative for ordering.

– E.&O.E. – Subject to Change Without Notice – May Not Be Available At All Locations –

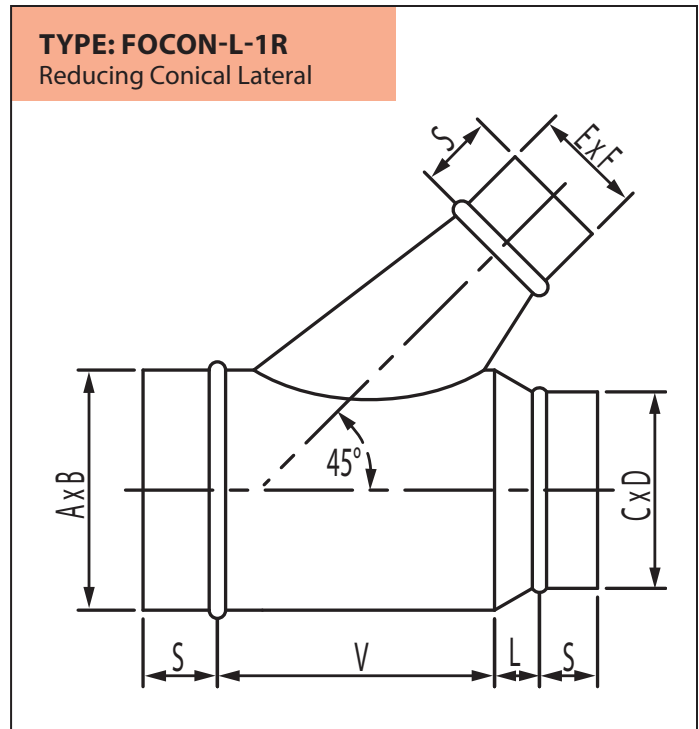
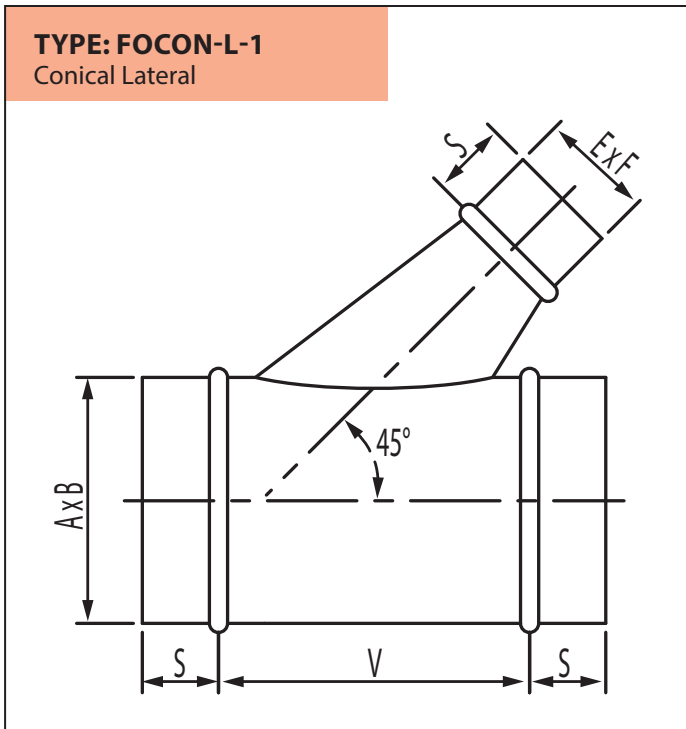
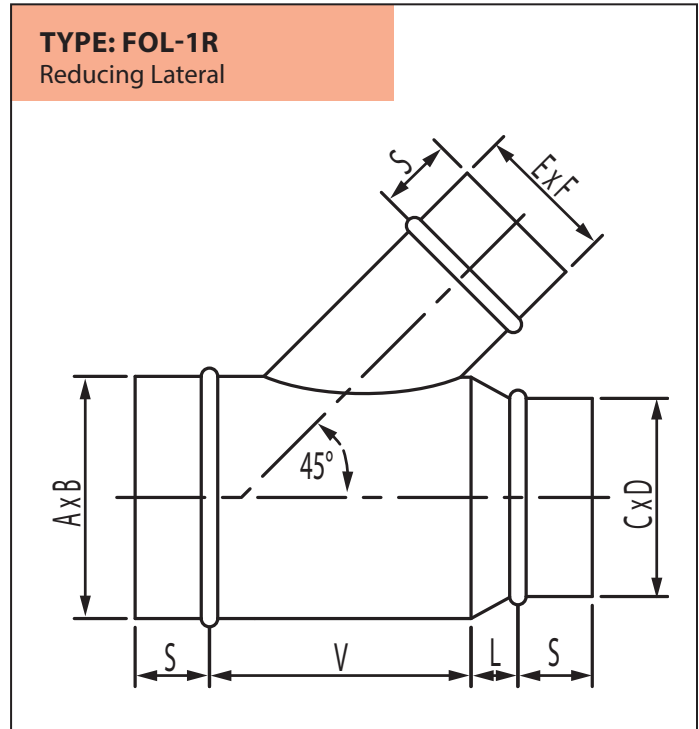
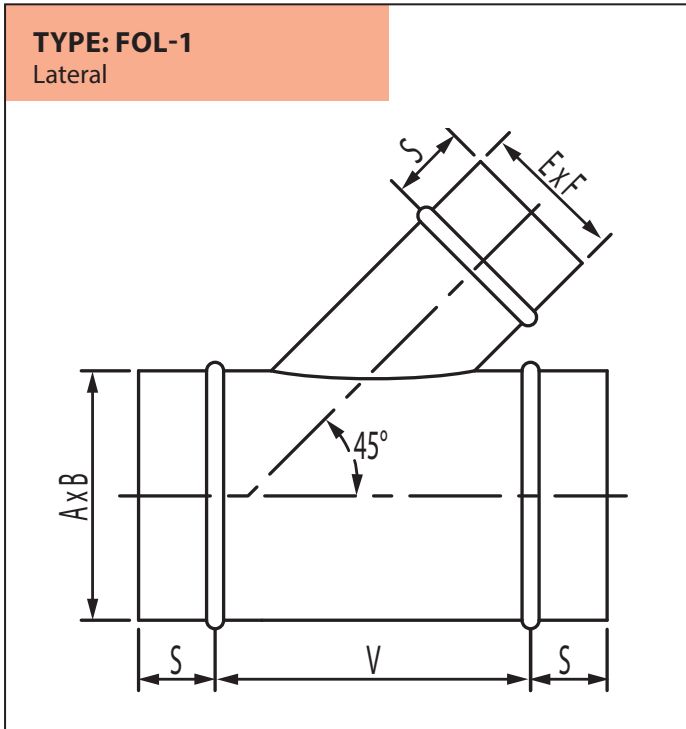
FLAT OVAL DUCT FITTINGS — TEES



*The drawings shown are illustrative of the types of fittings manufactured. Please contact your local ECCO™ Representative for ordering.

– E.&O.E. – Subject to Change Without Notice – May Not Be Available At All Locations –

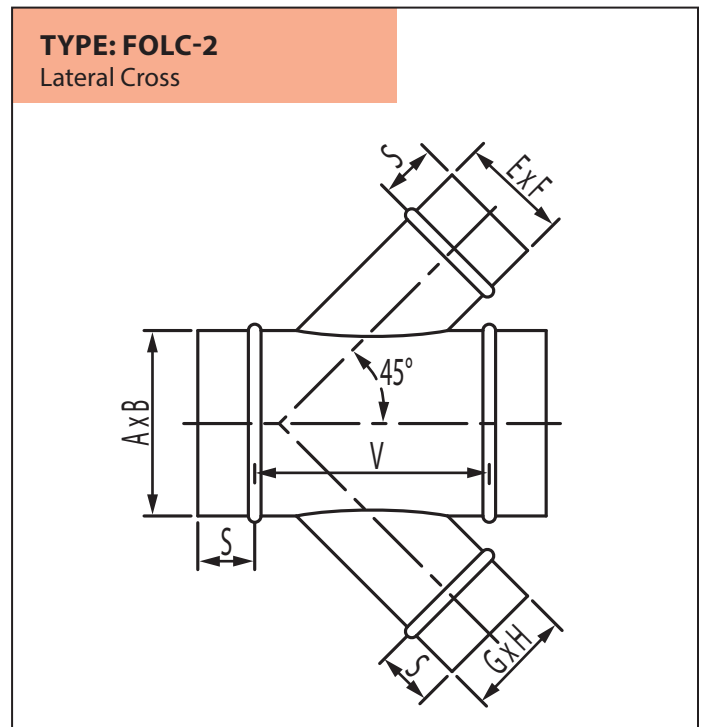
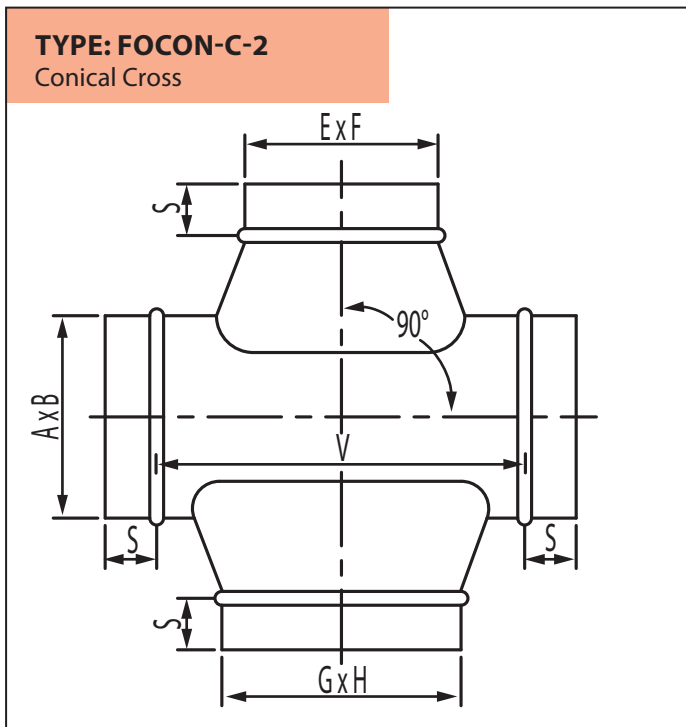
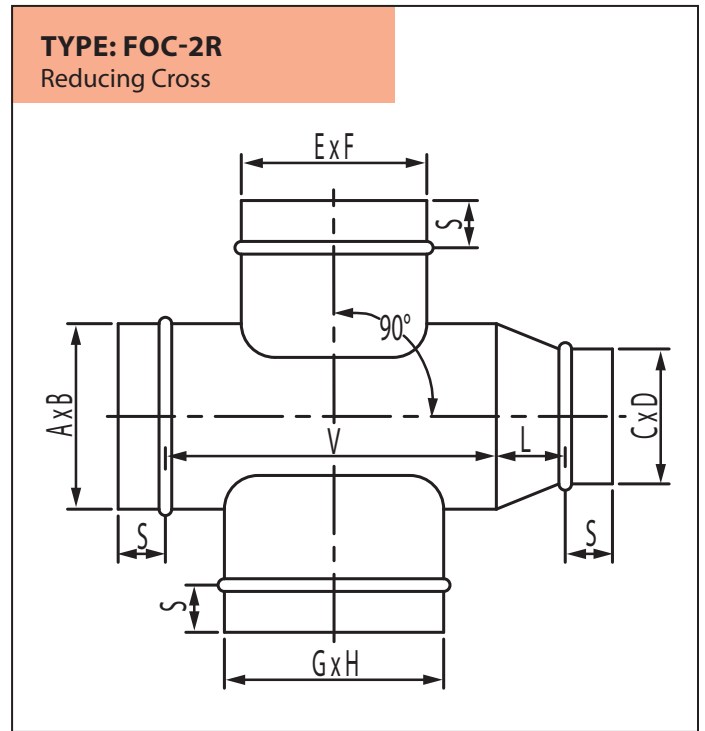
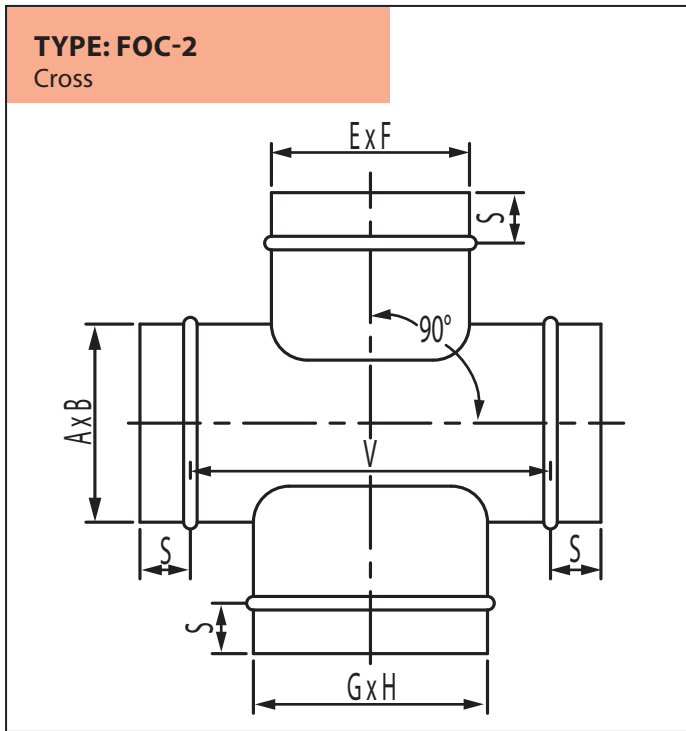
FLAT OVAL DUCT FITTINGS — LATERALS



*The drawings shown are illustrative of the types of fittings manufactured. Please contact your local ECCO™ Representative for ordering.

-E.&O.E. - Subject to Change Without Notice - May Not Be Available At All Locations -

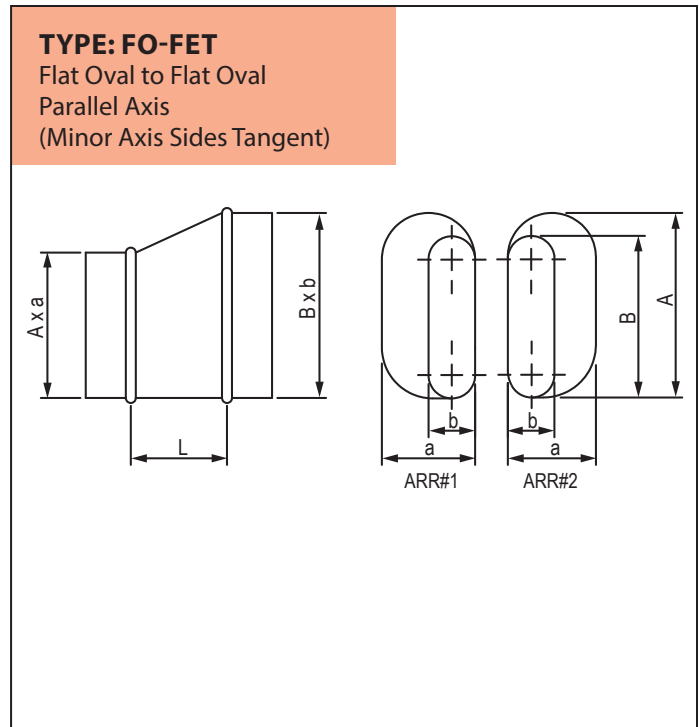
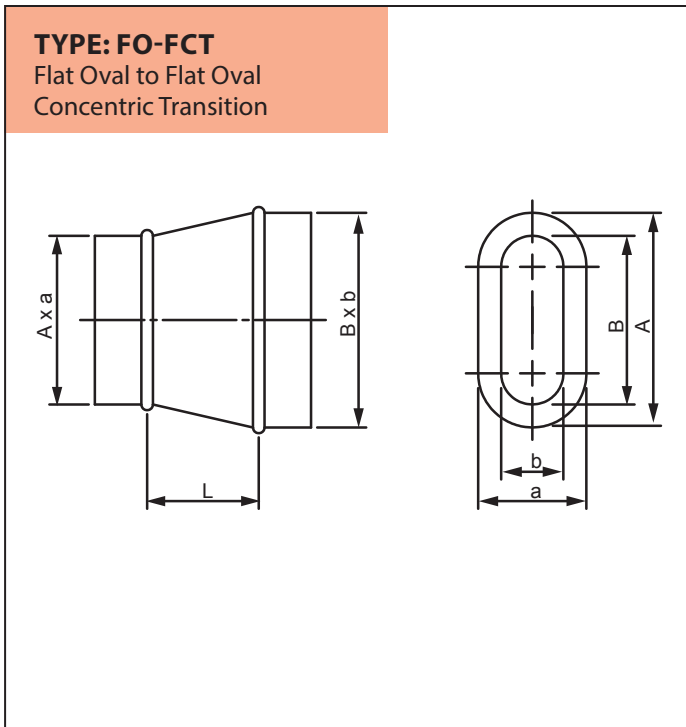
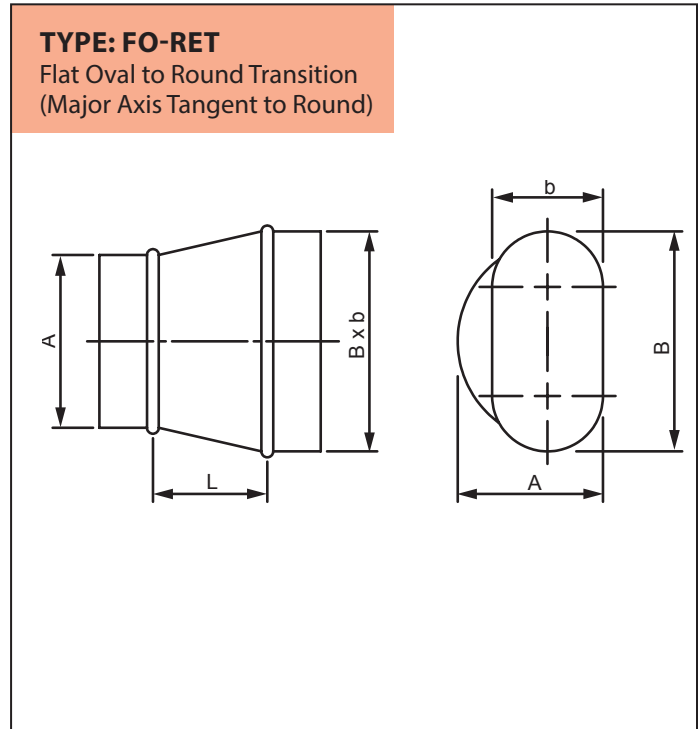
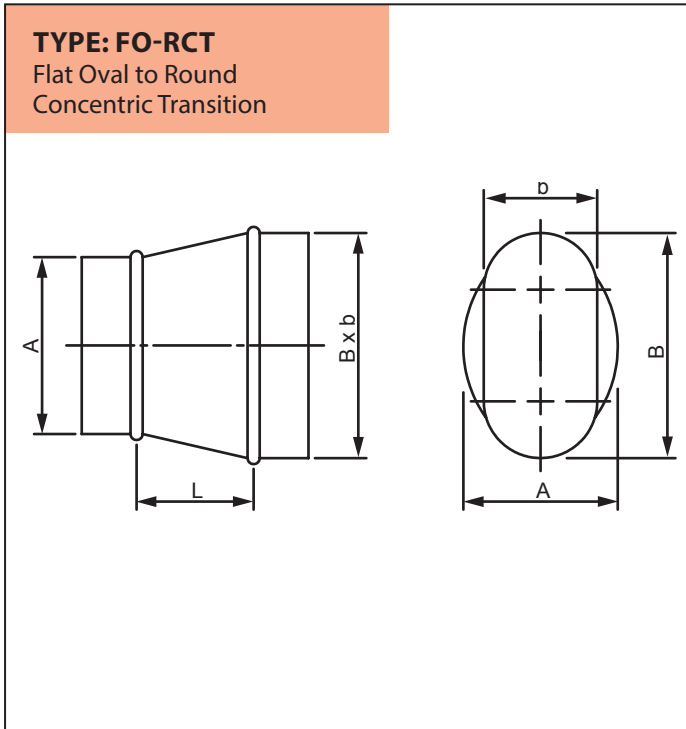
FLAT OVAL DUCT FITTINGS — CROSSES



*The drawings shown are illustrative of the types of fittings manufactured. Please contact your local ECCO™ Representative for ordering.

– E.&O.E. – Subject to Change Without Notice – May Not Be Available At All Locations –

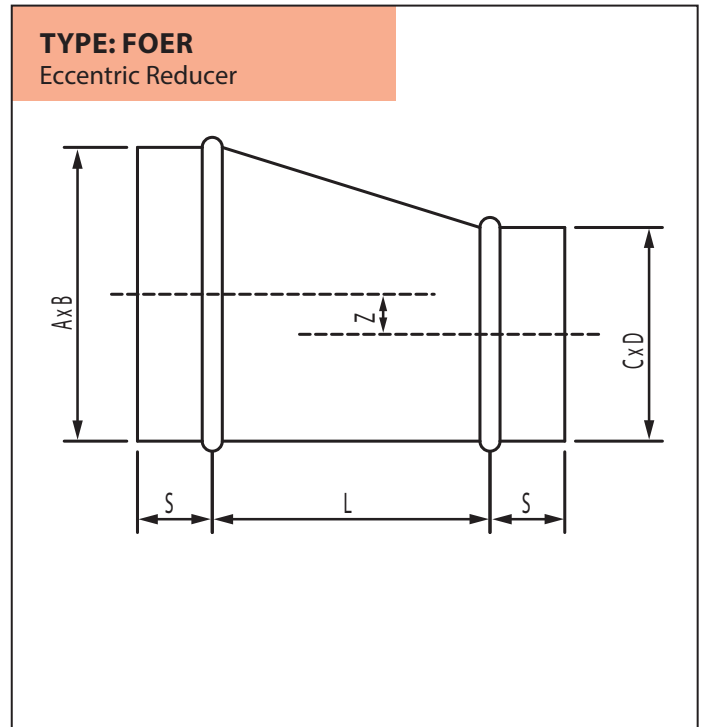
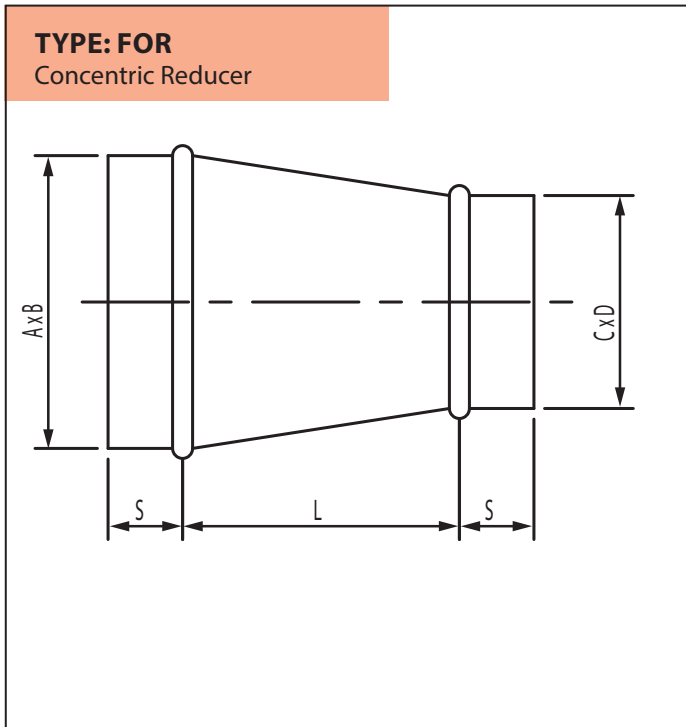
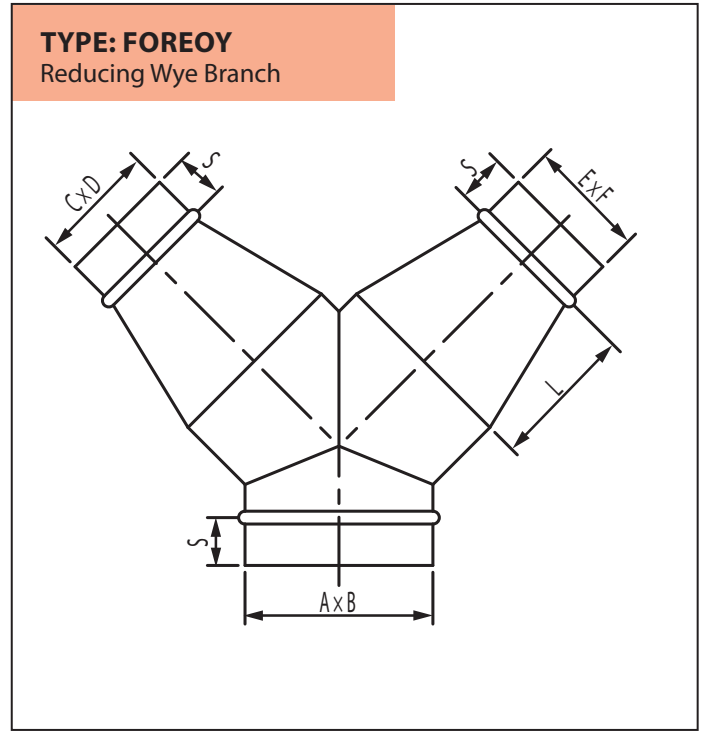
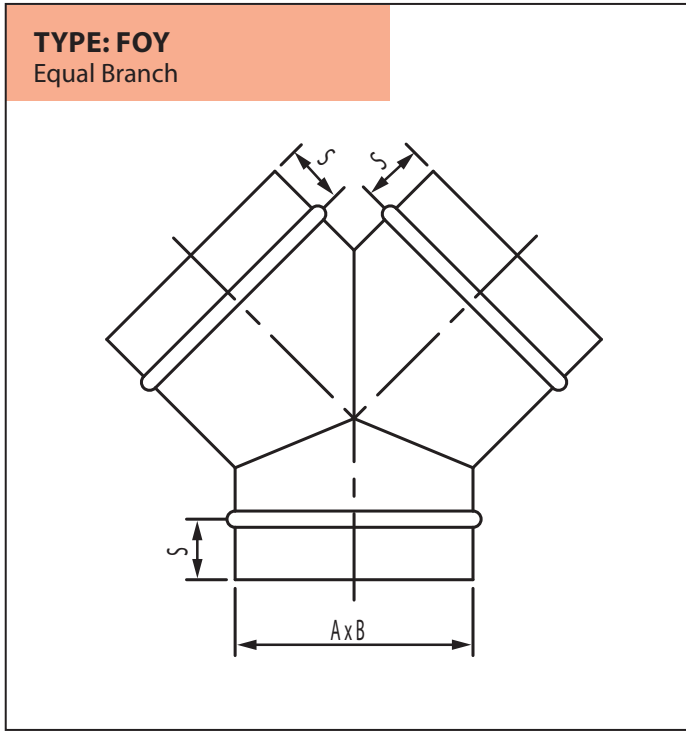
FLAT OVAL DUCT FITTINGS — TRANSITIONS



*The drawings shown are illustrative of the types of fittings manufactured. Please contact your local ECCO™ Representative for ordering.

– E.&O.E. – Subject to Change Without Notice – May Not Be Available At All Locations –

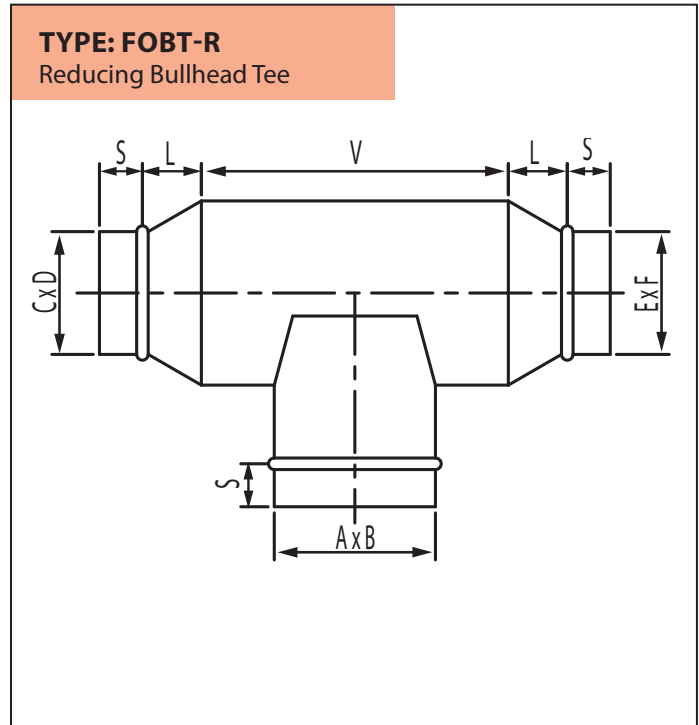
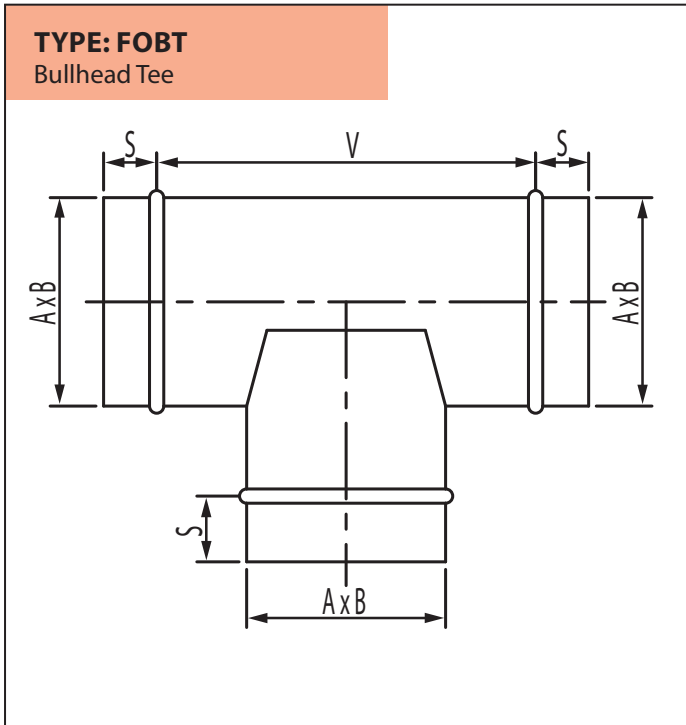
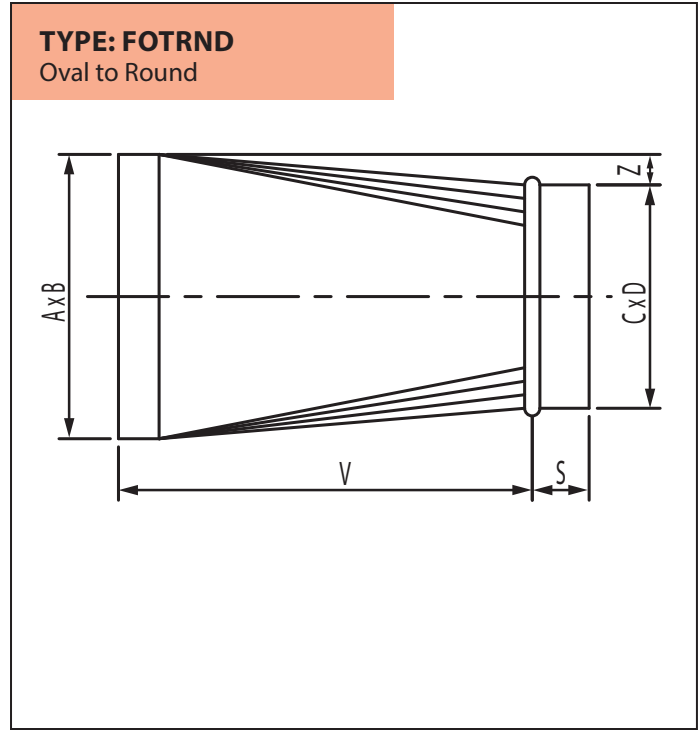
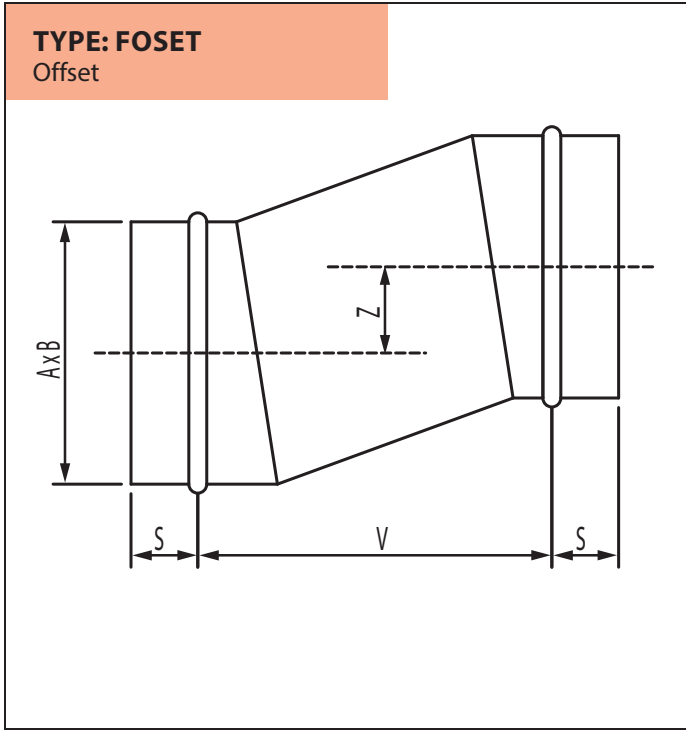
FLAT OVAL DUCT FITTINGS — ACCESSORIES (cont'd)



*The drawings shown are illustrative of the types of fittings manufactured. Please contact your local ECCO™ Representative for ordering.

– E.&O.E. – Subject to Change Without Notice – May Not Be Available At All Locations –

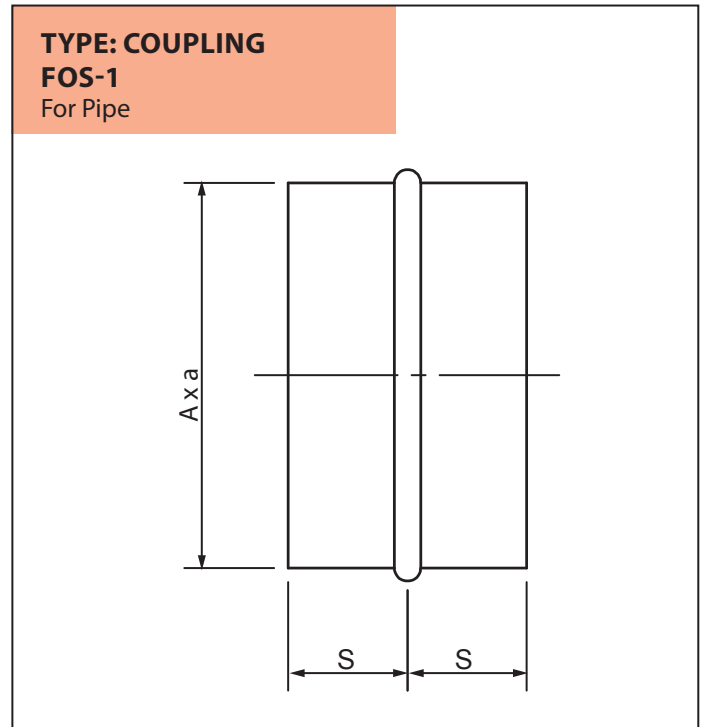
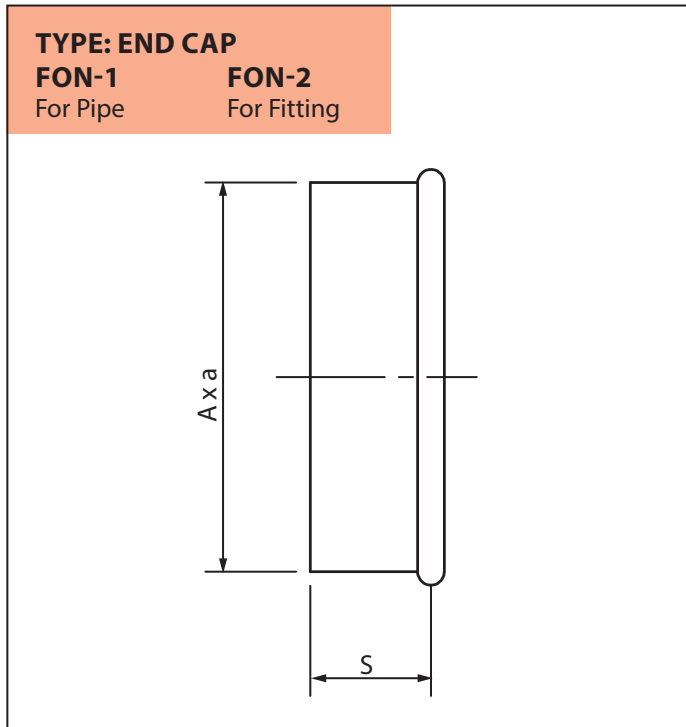
FLAT OVAL DUCT FITTINGS — ACCESSORIES (cont'd)



*The drawings shown are illustrative of the types of fittings manufactured. Please contact your local ECCO™ Representative for ordering.

– E.&O.E. – Subject to Change Without Notice – May Not Be Available At All Locations –

FLAT OVAL DUCT FITTINGS — ACCESSORIES (cont'd)



*The drawings shown are illustrative of the types of fittings manufactured. Please contact your local ECCO™ Representative for ordering.



www.eccomfg.com

Langley Distribution

19860 Fraser Highway
Langley, British Columbia
Canada V3A 4C9

Phone: 604-530-4151
Toll Free: 1-877-955-4805
Fax: 604-533-9335

Calgary Distribution

21 – 11150 38th Street, S.E.
Calgary, Alberta
Canada T2C 2Z6

Phone: 403-720-0895
Toll Free: 1-877-955-4815
Fax: 403-720-0897

Kent Distribution

20001 87th Ave. S, Bldg E
Kent, Washington
USA 98031

Phone: 253-872-3721
Toll Free: 1-800-207-6859
Fax: 253-872-3724

ECCODUCT™

In-Slab Duct Ventilation System

www.eccoduct.com



ECCO™ is proud to be a member of:



SMACNA
Sheet Metal and Air
Conditioning Contractors'
National Association
www.smacna.org



HRAI
Heating, Refrigeration and
Air Conditioning
Institute of Canada
www.hrai.ca



HARDI
Heating, Air-conditioning
& Refrigeration
Distributors International
www.hardinet.org



ADI
Air
Distribution
Institute
www.steelduct.org



AD
Affiliated Distributors™
www.adhq.com



CME
Canadian
Manufacturers &
Exporters
www.cme-mec.ca



SPIDA
Spiral Duct
Manufacturers
Association
www.spida.org



INDEX

12" x 1-3/4" ECCODUCT™ FAN SIZING CHART	F1-4
ECCODUCT™	F1-5
ECCODUCT™ COMPONENTS.....	F1-3
ALUMINUM GRILLES	F1-5
DRYER BOOSTER FAN	F1-6
DUAL INLETS	F1-5
ELBOWS.....	F1-5
INCREASERS.....	F1-5
INLET BOOTS	F1-5
INSULATION.....	F1-6
LINT TRAPS — SLIM LINE	F1-6
MISCELLANEOUS.....	F1-6
SOFFIT DISCHARGES.....	F1-5
SUPPORT BRACKETS	F1-5
WALL DISCHARGES.....	F1-5
TYPICAL SPECIFICATIONS FOR IN-SLAB DUCT VENTILATION SYSTEM	F1-7

NOTE: THE ECCODUCT™ VENTILATION SYSTEM IS AN ENGINEERED SYSTEM AND MAY NOT BE AVAILABLE TO ALL WHOLESALERS.

LEGEND

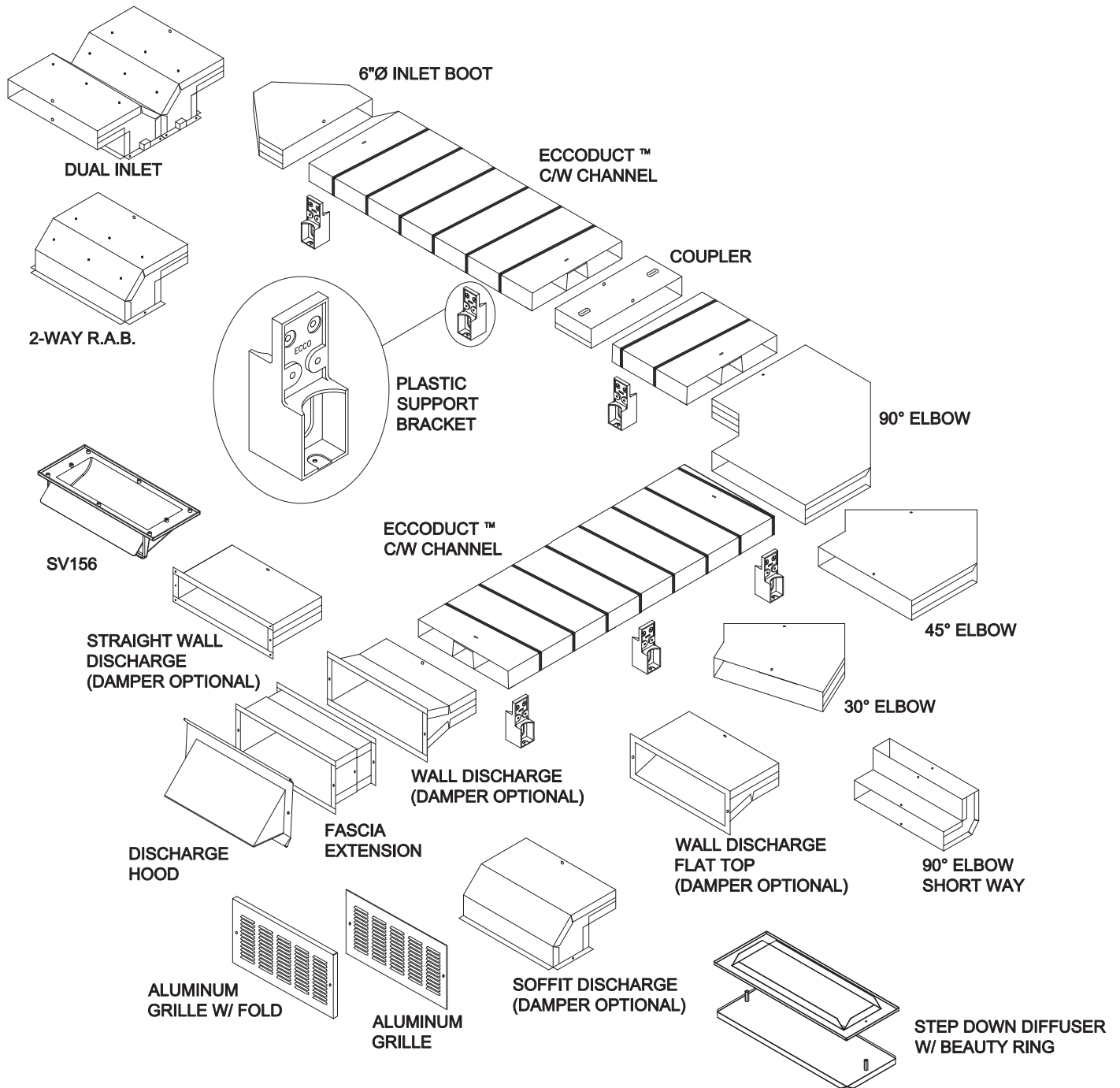
NOTE: The boxed columns throughout the tables are intended to provide a quick determination of ordering dimensions.


ABBREVIATIONS:

- CTN/QTY = Carton Quantity
- WT/100 = Weight per 100 Pieces
- WT/100 FT = Weight per 100 Feet
- PCS/BNDL = Pieces per Bundle
- SKID/QTY = Skid Quantity

– E.&O.E. – Subject to Change Without Notice – May Not Be Available At All Locations –

ECCODUCT™ COMPONENTS




LISTED VENTILATION DUCT ASSEMBLY
 MAX 3-HR F & FT Rating
 Tested in accordance with
 ULC S115-M95 and ASTM E814-02

**SCREW AND TAPE
ALL JOINTS WITH TAPE
APPROVED BY THE ENGINEER.**

- E.&O.E. - Subject to Change Without Notice - May Not Be Available At All Locations -



12" x 1-3/4" ECCODUCT™ FAN SIZING CHART*

CFM's shown on chart are for matching fan delivery to duct system.

		Inlet Static Pressure in Inches of Water													
		.10	.15	.20	.25	.30	.35	.40	.45	.50	.55	.60	.65	.70	.75
Equivalent Feet of Duct	25	114	139	164	184	201	220	235	250	265	279	290	305	317	328
	30	100	125	148	166	184	201	214	225	240	250	262	276	285	295
	35	92	115	133	152	169	183	197	210	220	233	243	253	264	275
	40	86	107	125	142	157	170	183	195	207	216	225	234	245	255
	45	82	100	117	132	146	158	166	184	192	201	213	221	230	236
	50	76	95	111	125	139	151	162	173	183	192	201	211	220	226
	55	72	89	105	118	132	142	154	164	174	184	192	199	207	214
	60	69	86	100	113	125	135	145	155	165	175	184	192	199	205
	65	66	82	96	108	120	130	140	149	158	167	175	184	190	196
	70	63	78	92	105	116	126	136	146	154	161	169	175	182	190
	75	61	76	88	100	111	121	130	139	148	156	162	170	176	183
	80	57	70	83	96	105	114	120	126	136	144	151	159	165	170
	85	54	68	80	91	100	110	117	123	128	140	146	153	160	164
	90	52	66	77	88	96	106	114	121	126	136	140	145	154	160
	100	51	64	74	84	91	100	107	114	120	129	134	140	147	152
110	48	58	70	79	87	95	102	110	116	121	128	133	139	145	
120	46	56	66	76	84	92	98	105	112	116	120	126	133	138	
130	45	54	65	73	80	87	94	100	106	112	117	121	125	133	
140	43	53	60	71	77	84	90	96	102	108	114	117	121	126	
150	42	51	58	67	75	80	87	93	98	105	110	115	118	122	

Equivalent length of fittings:

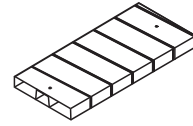
- Inlet Boot, 26 ft.
- Wall Discharge with Damper and Grille, 6 ft.
- Soffit Discharge with Grille, 13 ft.
- 30° Elbow, 7 ft.
- 45° Elbow, 7 ft.
- 90° Elbow, 12 ft.

Example: A 100 CFM system consists of: inlet boot; 15 ft. duct; one 45° elbow and wall discharge with damper and grille. Total equivalent feet of duct equals 26 + 15 + 7 + 6 which equals 54 feet. Duct capacity required is 100 CFM, therefore, from chart, fan must deliver at least 100 CFM @ 0.20 inches of water static pressure or greater.

*Based on 4.50" equivalent round diameter.

ECCODUCT™

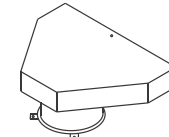
ITEM #	SIZE (")	DESCRIPTION	SKID/QTY	WT/100 FT
328012	12 × 1-3/4	Duct with Channel (10 ft.)	36	270



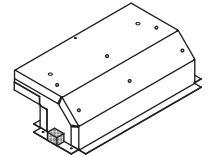
Smooth interior with reinforced channel.

ECCODUCT™ COMPONENTS
INLET BOOTS

ITEM #	SIZE (")	DESCRIPTION	CTN/QTY	WT/100
337432	12 × 1-3/4	6" Inlet Boot Firestop 2-1/8"	20	275
337435	12 × 1-3/4	6" Inlet Boot Firestop 2-3/4"	20	282
337436	12 × 1-3/4	6" Inlet Boot Firestop 3-1/4"	20	290
337332	12 × 1-3/4	5" Inlet Boot Firestop 2-1/8"	20	265
337336	12 × 1-3/4	5" Inlet Boot Firestop 3-1/4"	20	280
336812	12 × 1-3/4	2-Way Right Angle Boot Firestop – 2-1/8"	20	265
336816	12 × 1-3/4	2-Way Right Angle Boot Firestop – 3-1/4"	20	285



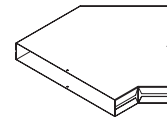
6" Inlet Boot with optional Increaser



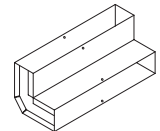
2-Way Right Angle Boot Firestop

ELBOWS

ITEM #	SIZE (")	DESCRIPTION	CTN/QTY	WT/100
336012	12 × 1-3/4	90° Elbow	10	500
336112	12 × 1-3/4	45° Elbow	10	306
336116	12 × 1-3/4	30° Elbow	10	306
336022	12 × 1-3/4	Short Way 90° Elbow	20	210
336114	12 × 1-3/4	Short Way 45° Elbow		190



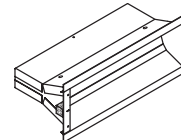
45° Elbow



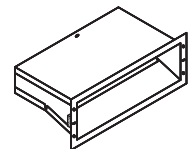
90° Elbow Short Way

WALL DISCHARGES

ITEM #	SIZE (")	DESCRIPTION	CTN/QTY	WT/100
336623	12 × 1-3/4	Wall Discharge with Damper	20	208
336628	12 × 4	Wall Discharge Flat Top with Damper	20	208



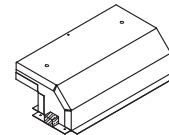
Wall Discharge



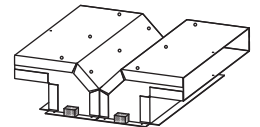
Wall Discharge Flat Top

SOFFIT DISCHARGES

ITEM #	SIZE (")	DESCRIPTION	CTN/QTY	WT/100
336723	12 × 1-3/4	Soffit Discharge 2-1/8" with Damper	20	235
336726	12 × 1-3/4	Soffit Discharge 3-1/4" with Damper	20	260



Soffit Discharge



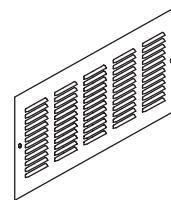
Dual Inlet

DUAL INLETS

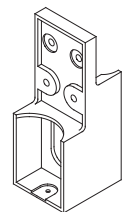
ITEM #	SIZE (")	DESCRIPTION	CTN/QTY	WT/100
336832	12 × 1-3/4	Rectangular Dual Inlet – 2-1/8"	*	530
336836	12 × 1-3/4	Rectangular Dual Inlet – 3-1/4"	*	570

ALUMINUM GRILLES

ITEM #	SIZE (")	DESCRIPTION	CTN/QTY	WT/100
703404	12 × 4	Aluminum Grille	*	100
703405	12 × 4	Aluminum Grille with 1/4" Fold	*	100



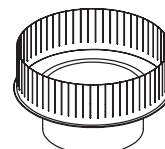
Aluminum Grille



Plastic Support Bracket

SUPPORT BRACKETS

ITEM #	SIZE (")	DESCRIPTION	CTN/QTY	WT/100
703408	3-1/4 – 2-1/8	Plastic Support Brackets	100	11
703409	2-3/4 – 2-1/8	Plastic Support Brackets	100	11



Increaser

INCREASERS

ITEM #	SIZE (")	DESCRIPTION	CTN/QTY	WT/100
136234	4 – 6	Increaser Galvanized	*	32
136236	5 – 6	Increaser Galvanized	*	32

*Product shipped individually.

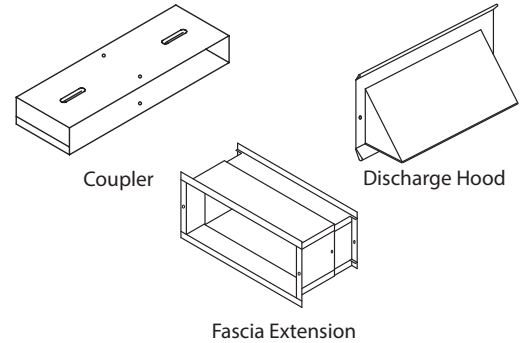
– E.&O.E. – Subject to Change Without Notice – May Not Be Available At All Locations –

ECCODUCT™ COMPONENTS (cont'd)

MISCELLANEOUS

ITEM #	SIZE (")	DESCRIPTION	CTN/QTY	WT/100
337828	12 × 1-3/4	Coupler	40	72
703403	12 × 4	Discharge Hood with Backdraft Damper – Satin	*	–
703402	12 × 4	Discharge Hood – Aluminum	*	–
337012	12 × 4	Fascia Extension	20	276
702941	36	N-36-175-9-L Nylon Ties	50	200

*Product shipped individually.



INSULATION

ITEM #	SIZE (")	DESCRIPTION	CTN/QTY	WT/100
706142	48 × 125	DBWEF48125 Reflectix 500 ft/sq ft	*	–

*Product shipped individually.

NOTE: For cold weather climates, this Reflectix DBWEF Insulation in the slab has been shown to be as effective as 4" of foam insulation.

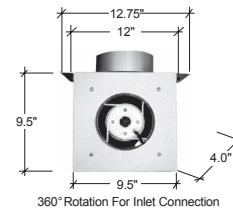


DRYER BOOSTER FAN

ITEM #	DESCRIPTION	CTN/QTY	WT/100
810620	EDB409 Dryer Booster Fan	*	1200

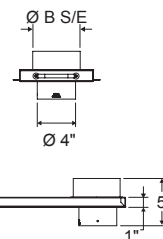
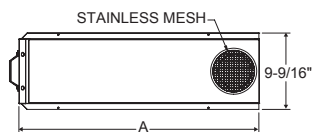
*Product shipped individually.

NOTE: Designed and manufactured to integrate with ECCODUCT™ Dryer Exhaust System.



LINT TRAPS — SLIM LINE (PATENTED)

ITEM #	SIZE (")	A (")	Ø B (")	CTN/QTY	WT/100
599704	4 - 5 × 28-1/2	28 -1/2	5	2	600
599706	4 - 5 × 30-1/2	30 -1/2	5	2	610
599707	4 - 4 × 30-1/2	30 -1/2	4	2	610



Visit: www.eccoduct.com for additional information.

– E.&O.E. – Subject to Change Without Notice – May Not Be Available At All Locations –



TYPICAL SPECIFICATIONS FOR IN-SLAB DUCT VENTILATION SYSTEM

In-Slab Duct Ventilation shall be ECCODUCT™ system as manufactured by ECCO Manufacturing™.

Ducting shall be manufactured with high quality galvanized steel using spiral wound lockseam with internal reinforcing.

All fittings incased in concrete such as inlet boots, elbows, support brackets, soffit, and wall discharge and spiral wound duct shall have labeled fittings tested to ULC standards.

- The ECCODUCT™ system has a MAX 3-HR F & FT rating tested in accordance with ULC S115-M95 and ASTM E814-02 test requirements.
- Impact loading meeting requirements of CAN3 A23.1 M77, Falsework for Construction Purposes.
- Point loading meeting requirements of CSA S269.1 1975, Falsework for Construction Purposes.
- Airflow and duct friction charts to be provided in accordance with SMACNA and ASHRAE guidelines.

Testing data shall be provided to the engineer prior to installation to ensure the above requirements are met.

In cold weather climates, ECCODUCT™ shall be externally wrapped with Reflectix DBWEF Duct Insulation on the exterior envelope discharges and intakes. Insulation distance to comply with local codes.

Installation shall be completed as per "ECCODUCT™ Installation Procedures", as provided by ECCO Manufacturing™. Non compliance may result in impeded performance for which ECCO™ does not assume responsibility.

All testing performed by Intertek Testing Services NA Ltd., Warnock Hersey and Hardy Associates Ltd.

The ECCODUCT™ system can be used for supply and/or exhaust as well as for clothes dryer exhaust.

For clothes dryers the following design criteria should be considered:

- Use of an approved dryer booster fan.
- Use of an external lint trap.
- All duct joints to be taped using an elastomeric tape approved by the engineer.
- A regular maintenance schedule for the dryer ducts should be established by the building owner in conjunction with a professional duct cleaning service.

DISCLAIMER

ECCO™ is providing no representations or warranties whatsoever in respect of the **ECCO™** product described herein, whether statutory, expressed or implied by custom or industry practice or otherwise. **ECCO's** only liability to the customer will be to repair or replace product which is demonstrated in a timely way to have observable manufacturing defects and in any case **ECCO's** liability shall not exceed the value of the goods being sold.

ECCO™ accepts no responsibility for installation, design or operating deficiencies or problems (including moisture leakage) associated with the product. The customer and any person responsible for installation and operation of our products should ensure that a building contractor, architect and/or engineer be consulted to ensure product is appropriate for, and installation and operation accords to, applicable building codes and prudent installation practices and are consistent with building design and construction, including building envelope.



www.eccomfg.com

Langley Distribution

19860 Fraser Highway
Langley, British Columbia
Canada V3A 4C9

Phone: 604-530-4151
Toll Free: 1-877-955-4805
Fax: 604-533-9335

Calgary Distribution

21 – 11150 38th Street, S.E.
Calgary, Alberta
Canada T2C 2Z6

Phone: 403-720-0895
Toll Free: 1-877-955-4815
Fax: 403-720-0897

Kent Distribution

20001 87th Ave. S, Bldg E
Kent, Washington
USA 98031

Phone: 253-872-3721
Toll Free: 1-800-207-6859
Fax: 253-872-3724

BUILDING PRODUCTS



ECCO™ is proud to be a member of:



SMACNA
Sheet Metal and Air
Conditioning Contractors'
National Association
www.smacna.org



HRAI
Heating, Refrigeration and
Air Conditioning
Institute of Canada
www.hrai.ca



HARDI
Heating, Air-conditioning
& Refrigeration
Distributors International
www.hardinet.org



ADI
Air
Distribution
Institute
www.steelduct.org



AD
Affiliated Distributors™
www.adhq.com



CME
Canadian
Manufacturers &
Exporters
www.cme-mec.ca



SPIDA
Spiral Duct
Manufacturers
Association
www.spida.org



INDEX

BRACKETS — ROOF	G1-40
BRUSHES — BRISTLE	G1-42
ADAPTERS — ROOF CAP VENT	G1-41
ALUMINUM ROOF DRAINS — PLASTIC TOP	G1-12
ALUMINUM STACKS / CAPS	G1-14
COLLAR — TPE — NO CAULK	G1-40
DRYER VENT HOODS	G1-39
E-FLASH	G1-40
FLASHINGS	
ALUMINUM ROOF — HIGH DOME	G1-12
ANGLE	G1-7
BACKPAN	G1-5
CLERESTORY	G1-33
CLOSED TILE	G1-34
COUNTER	G1-8
DRIP EDGE	G1-4
EDGE	
90 DEGREE	G1-15 - G1-17
D	G1-27
"G" DRIP	G1-28 - G1-30
ROOF STARTER	G1-31
T METAL	G1-30
GABLE DRIP	G1-4
FASCIA CAP	G1-32
FIREPLACE	G1-34
GRAVEL STOP	G1-31
I.P.S. ADJUSTABLE ROOF	G1-14
JTILE	G1-34
NO CAULK	G1-40
OPEN TILE	G1-34
REVERSE	G1-5
REVERSE — NO SAFETY	G1-26
ROLL VALLEY	G1-37
ROOF TO WALL	G1-18 - G1-19
SIDING	
WITH DRIP AND HEM	G1-25
WITH DRIP — NO HEM	G1-24
WITH HEM	G1-24
SLOPED Z METAL	G1-21 - G1-24
STEP	G1-7, G7-36
T-VALLEY — 5 RIB	G1-34
VALLEY	G1-3
WALL	G1-6
WINDOW	
NO HEM	G1-26
NO SAFETY	G1-8
SAFETY	G1-9
W-VALLEY	G1-3, G1-33
Z METAL — 90°	G1-20 - G1-21
GUM CUPS	G1-13
LATH	G1-42
MULT-E STRAP	G1-41
PLASTIC STACK CAPS	G1-14
ROOF JACKS	
ALL PITCH — 8" x 8"	G1-11
EC144	G1-11
ROUND	G1-10
SQUARE TOP — SOLDERED — 8" x 8" — 26 GAUGE	G1-11
SCUPPER DROPS	G1-41
SCUPPERS	G1-13
SHINGLES	
FLAT	G1-35
SIDING	G1-12
THE DRYERBOX®	G1-39
VENTS	
ATTIC — SQUARE — SOLDERED — 14" x 12"	G1-11
BUILT UP ROOF	G1-12
METAL STEM	G1-38
PLASTIC ROOF	G1-38
PLASTIC STEM	G1-38
SIDE WALL — 1/4" BIRDSCREEN	G1-39
ZINC STRIP	G1-41

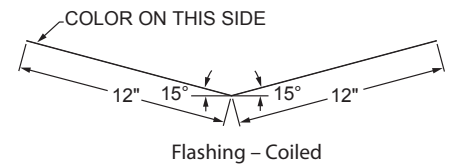
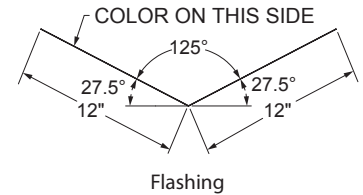
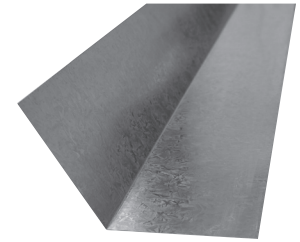
MODEL E/R TYPE B GAS GENT

ADAPTERS	
A-VENT TO B-VENT	G1-55
B-VENT TO B-VENT — BA	G1-54
FEMALE — B-VENT	G1-54
MALE — B-VENT	G1-55
ATTIC INSULATION SHIELDS — AIS	G1-47
BUTYL GASKET (SEALANT TAPE)	G1-47
CHINA CAPS — GALVANIZED	G1-43
COLLARS	
FINISHING — FC	G1-56
STORM	G1-47
CONNECTORS	
B-VENT TO FLEX — BF	G1-54
B-VENT TO SINGLE WALL — BSW	G1-53
DRAFT HOOD	G1-52
GAS VENT — FLEXIBLE — FGVC	G1-44
ELBOWS	
45 DEGREE — 45EL	G1-48 - G1-49
90 DEGREE — 90EL	G1-49
DIRECT CONNECT — 90 DEGREE	G1-49
FIRESTOP SPACERS — FS	G1-47
FLASHINGS	
ADJUSTABLE — 1/12 - 7/12 AND 8/12 - 12/12	G1-45
FLAT	G1-46
INCREASERS — DOUBLE WALL — INC	G1-53
RAIN CAPS — RC	G1-46
SUPPORT PLATES — SP	G1-48
SUPPORT RINGS — SR	G1-48
TEE CAPS — SPUN — TC	G1-50
TEES	
DOUBLE WALL	G1-50
SINGLE WALL	G1-50 - G1-52
TYPE B GAS VENT KITS	
LESS DRAFT HOOD CONNECTOR	G1-57
WITH DRAFT HOOD CONNECTOR	G1-56
WITH SINGLE WALL BASE TEE	G1-57
TYPE B OVAL GAS VENT AND FITTINGS — 4" / 5"	G1-58
VENT PIPE — VP	G1-43
ADJUSTABLE	G1-44
WALL BANDS — WB	G1-56
WALL THIMBLES — ROUND PIPE	G1-58
WYES — SWIVEL — DOUBLE WALL — DWW	G1-52
PRIMEX VENTING AND ACCESSORIES	
ACCESS PANELS	G1-72
EB4X90 — 90° SQUEEZE ELBOW	G1-62
CEILING AND SIDEWALL DIFFUSERS	G1-59
ACCESSORIES	G1-59
EXHAUST / DRYER VENTS	G1-68
EXTENDED WALL CAPS	G1-71
INTAKE AND EXHAUST VENTS	G1-69 - G1-70
RANGE HOOD VENTS	G1-68
ROOF VENTS	G1-63 - G1-64
SOFFIT VENTS	G1-60 - G1-62
TRIM PLATES — 501 SERIES	G1-72
WALL VENTS — EXTERIOR	G1-66
WC SERIES — INTAKE AND EXHAUST VENTS	G1-66 - G1-67

— E.&O.E. — Subject to Change Without Notice — May Not Be Available At All Locations —

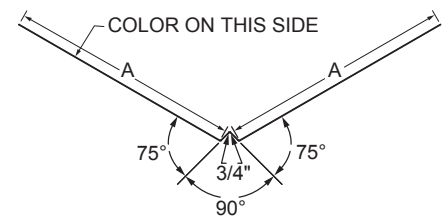
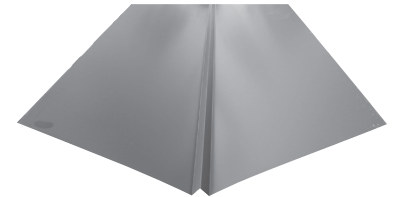
VALLEY FLASHINGS

ITEM #	DESCRIPTION	COLOR	LGTH/FT	A (")	PCS/BNDL	WT/100
380201	24"	Galvanized	10	12	10	1312
380202	24"	Brown	10	12	10	1312
380203	24"	White	10	12	10	1312
380204	24"	Black	10	12	10	1312
380205	24"	Charcoal	10	12	10	1312
380221	24"	Galvanized	8	12	10	1050
380222	24"	Brown	8	12	10	1050
380223	24"	White	8	12	10	1050
380224	24"	Black	8	12	10	1050
380225	24"	Charcoal	8	12	10	1050
380001	24" – Coiled	Galvanized	10	12	10	1312
380002	24" – Coiled	Brown	10	12	10	1312
380003	24" – Coiled	White	10	12	10	1312
380004	24" – Coiled	Black	10	12	10	1312
380005	24" – Coiled	Charcoal	10	12	10	1312
380006	24" – Coiled	Grey	10	12	10	1312



W-VALLEY FLASHINGS

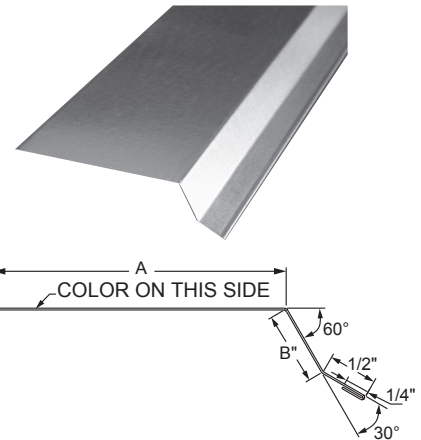
ITEM #	SIZE (")	COLOR	LGTH/FT	A (")	PCS/BNDL	WT/100
380401	24	Galvanized	10	11-1/4	10	1312
380402	24	Brown	10	11-1/4	10	1312
380403	24	White	10	11-1/4	10	1312
380404	24	Black	10	11-1/4	10	1312
380405	24	Charcoal	10	11-1/4	10	1312
380421	24	Galvanized	8	11-1/4	10	1050
380422	24	Brown	8	11-1/4	10	1050
380423	24	White	8	11-1/4	10	1050
380424	24	Black	8	11-1/4	10	1050
380425	24	Charcoal	8	11-1/4	10	1050



– E.&O.E. – Subject to Change Without Notice – May Not Be Available At All Locations –

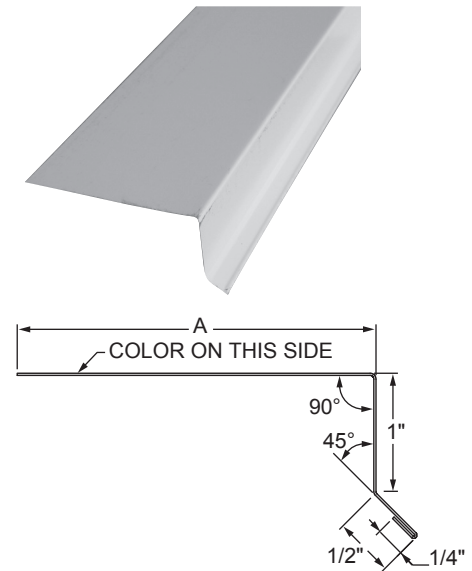
DRIP EDGE FLASHINGS

ITEM #	SIZE (")	COLOR	LGTH/FT	A (")	B (")	PCS/BNDL	WT/100
380701	3	Galvanized	10	3	3/4	10	246
380702	3	Brown	10	3	3/4	10	246
380703	3	White	10	3	3/4	10	246
380704	3	Black	10	3	3/4	10	246
380705	3	Charcoal	10	3	3/4	10	246
380706	3	Grey	10	3	3/4	10	246
380721	3	Galvanized	8	3	3/4	10	197
380722	3	Brown	8	3	3/4	10	197
380723	3	White	8	3	3/4	10	197
380724	3	Black	8	3	3/4	10	197
380725	3	Charcoal	8	3	3/4	10	197



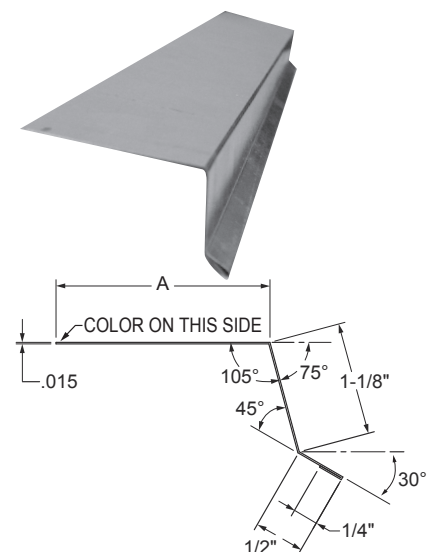
GABLE DRIP EDGE FLASHINGS

ITEM #	SIZE (")	COLOR	LGTH/FT	A (")	PCS/BNDL	WT/100
381101	3	Galvanized	10	3	10	260
381102	3	Brown	10	3	10	260
381103	3	White	10	3	10	260
381104	3	Black	10	3	10	260
381105	3	Charcoal	10	3	10	260
381121	3	Galvanized	8	3	10	208
381122	3	Brown	8	3	10	208
381123	3	White	8	3	10	208
381124	3	Black	8	3	10	208
381125	3	Charcoal	8	3	10	208



DRIP EDGE FLASHINGS — 105 DEGREE

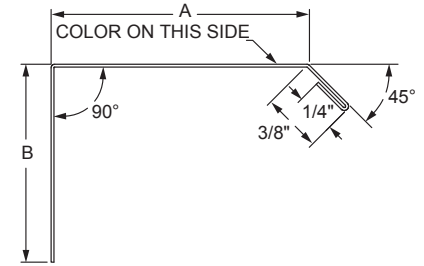
ITEM #	SIZE (")	COLOR	LGTH/FT	A (")	PCS/BNDL	WT/100
381251	2-1/8	Galvanized	10	2-1/8	10	220
381252	2-1/8	Brown	10	2-1/8	10	220
381253	2-1/8	White	10	2-1/8	10	220
381254	2-1/8	Black	10	2-1/8	10	220
381255	2-1/8	Charcoal	10	2-1/8	10	220



- E.&O.E. - Subject to Change Without Notice - May Not Be Available At All Locations -

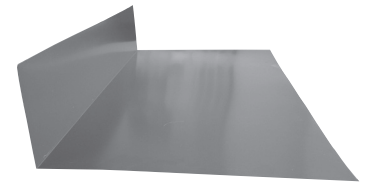
REVERSE FLASHINGS

ITEM #	SIZE (")	COLOR	LGTH/FT	A (")	B (")	CTN/QTY	WT/100
387881	1-5/8 x 1-1/4	Galvanized	10	1-5/8	1-1/4	10	191
387882	1-5/8 x 1-1/4	Brown	10	1-5/8	1-1/4	10	191
387883	1-5/8 x 1-1/4	White	10	1-5/8	1-1/4	10	191
387884	1-5/8 x 1-1/4	Black	10	1-5/8	1-1/4	10	191
387885	1-5/8 x 1-1/4	Charcoal	10	1-5/8	1-1/4	10	191
387886	1-5/8 x 1-1/4	Tan	10	1-5/8	1-1/4	10	191
387888	1-5/8 x 1-1/4	Grey	10	1-5/8	1-1/4	10	191



BACKPAN FLASHINGS

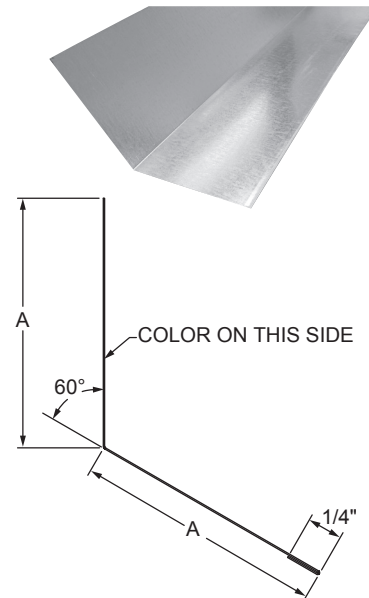
ITEM #	SIZE (")	COLOR	LGTH/FT	A (")	B (")	PCS/BNDL	WT/100
381501	24	Galvanized	10	18	6	10	1312
381502	24	Brown	10	18	6	10	1312
381503	24	White	10	18	6	10	1312
381504	24	Black	10	18	6	10	1312
381505	24	Charcoal	10	18	6	10	1312
381521	24	Galvanized	8	18	6	10	1050
381522	24	Brown	8	18	6	10	1050
381523	24	White	8	18	6	10	1050
381524	24	Black	8	18	6	10	1050
381525	24	Charcoal	8	18	6	10	1050
381601	24	Galvanized	5	18	6	10	656
381602	24	Brown	5	18	6	10	656
381603	24	White	5	18	6	10	656
381604	24	Black	5	18	6	10	656
381605	24	Charcoal	5	18	6	10	656
381701	24	Galvanized	3	18	6	10	394
381702	24	Brown	3	18	6	10	394
381703	24	White	3	18	6	10	394
381704	24	Black	3	18	6	10	394
381705	24	Charcoal	3	18	6	10	394
381681	24	Galvanized	2	18	6	10	262



-E.&O.E. - Subject to Change Without Notice - May Not Be Available At All Locations -

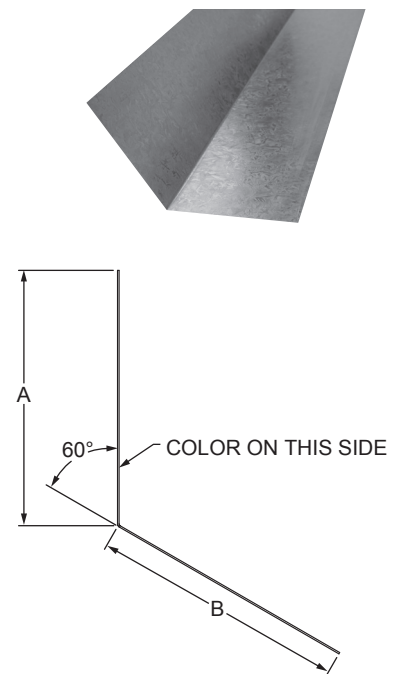
WALL FLASHINGS — SAFETY

ITEM #	SIZE (")	COLOR	LGTH/FT	A (")	PCS/BNDL	WT/100
382001	9	Galvanized	10	4-1/2	5	492
382002	9	Brown	10	4-1/2	5	492
382003	9	White	10	4-1/2	5	492
382004	9	Black	10	4-1/2	5	492
382005	9	Charcoal	10	4-1/2	5	492
382006	9	Grey	10	4-1/2	5	492
382021	9	Galvanized	8	4-1/2	10	394
382022	9	Brown	8	4-1/2	10	394
382023	9	White	8	4-1/2	10	394
382024	9	Black	8	4-1/2	10	394
382025	9	Charcoal	8	4-1/2	10	394



WALL FLASHINGS — NO SAFETY

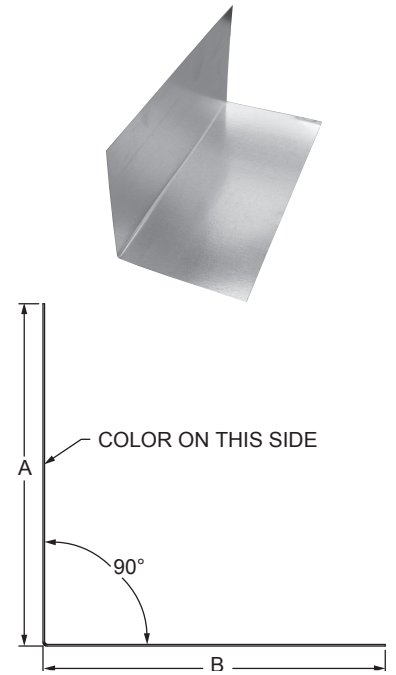
ITEM #	SIZE (")	COLOR	LGTH/FT	A (")	B (")	PCS/BNDL	WT/100
381821	6	Galvanized	8	3	3	10	262
381822	6	Brown	8	3	3	10	262
381823	6	White	8	3	3	10	262
381824	6	Black	8	3	3	10	262
381825	6	Charcoal	8	3	3	10	262
381804	6	Black	10	3	3	10	328
382101	8	Galvanized	10	4	4	10	437
382102	8	Brown	10	4	4	10	437
382103	8	White	10	4	4	10	437
382104	8	Black	10	4	4	10	437
382105	8	Charcoal	10	4	4	10	437
382121	8	Galvanized	8	4	4	10	350
382122	8	Brown	8	4	4	10	350
382123	8	White	8	4	4	10	350
382124	8	Black	8	4	4	10	350
382125	8	Charcoal	8	4	4	10	350
382131	3 x 5	Galvanized	8	3	5	10	350
382132	3 x 5	Brown	8	3	5	10	350
382133	3 x 5	White	8	3	5	10	350
382134	3 x 5	Black	8	3	5	10	350
382135	3 x 5	Charcoal	8	3	5	10	350



– E.&O.E. – Subject to Change Without Notice – May Not Be Available At All Locations –

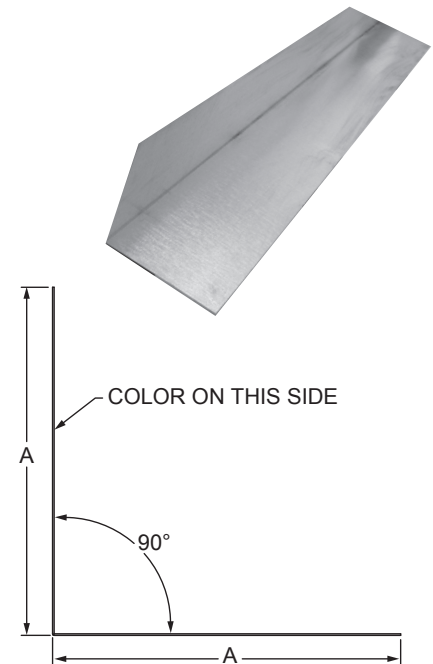
STEP FLASHINGS

ITEM #	SIZE (")	COLOR	LGTH/FT	A (")	B (")	PCS/BNDL	WT/100
383101	3 x 4	Galvanized	8.5	3	4	25	27
383104	3 x 4	Black	8.5	3	4	25	27
383105	3 x 4	Charcoal	8.5	3	4	25	27
383301	4 x 4	Galvanized	9	4	4	25	33
383302	4 x 4	Brown	9	4	4	25	33
383303	4 x 4	White	9	4	4	25	33
383304	4 x 4	Black	9	4	4	25	33
383305	4 x 4	Charcoal	9	4	4	25	33
383401	5 x 5	Galvanized	9	5	5	25	41
383402	4 x 4	Brown	12	4	4	25	44
383801	4 x 5	Galvanized	13	4	5	25	53
383802	4 x 5	Brown	13	4	5	25	53
383803	4 x 5	White	13	4	5	25	53
383804	4 x 5	Black	13	4	5	25	53
383805	4 x 5	Charcoal	13	4	5	25	53
383806	4 x 5	Grey	13	4	5	25	53
384301	4 x 6	Galvanized	13	4	6	25	59
384302	4 x 6	Brown	13	4	6	25	59
384303	4 x 6	White	13	4	6	25	59
384304	4 x 6	Black	13	4	6	25	59
384305	4 x 6	Charcoal	13	4	6	25	59



ANGLE FLASHINGS

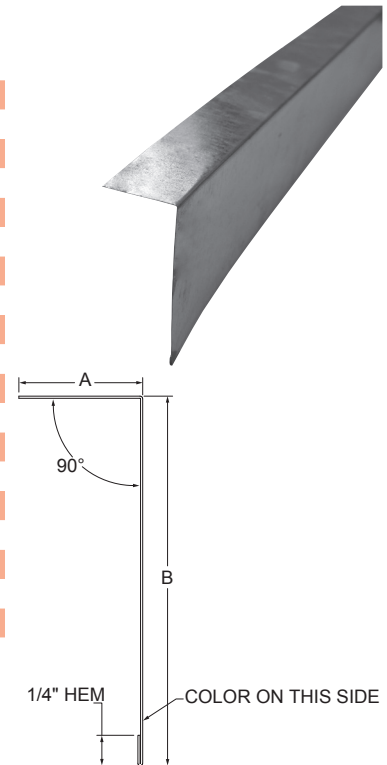
ITEM #	SIZE (")	COLOR	LGTH/FT	A (")	PCS/BNDL	WT/100
386301	4 x 4	Galvanized	10	4	10	437
386302	4 x 4	Brown	10	4	10	437
386303	4 x 4	White	10	4	10	437
386304	4 x 4	Black	10	4	10	437
386305	4 x 4	Charcoal	10	4	10	437
386501	6 x 6	Galvanized	10	6	10	656
386502	6 x 6	Brown	10	6	10	656
386503	6 x 6	White	10	6	10	656
386504	6 x 6	Black	10	6	10	656
386505	6 x 6	Charcoal	10	6	10	656



- E.&O.E. - Subject to Change Without Notice - May Not Be Available At All Locations -

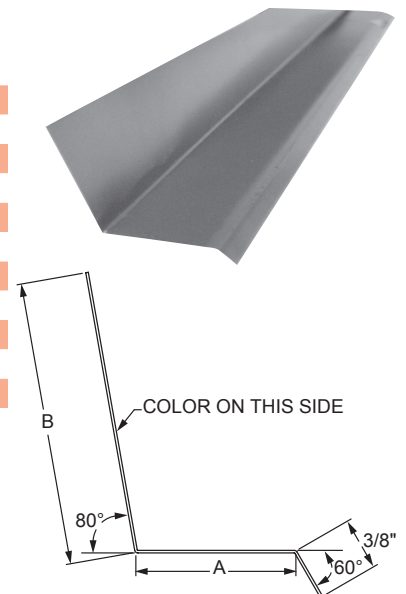
COUNTER FLASHINGS

ITEM #	DESCRIPTION	COLOR	LGTH/FT	A (")	B (")	PCS/BNDL	WT/100
385001	1-1/4" x 3"	Galvanized	10	1-1/4	3	10	246
385002	1-1/4" x 3"	Brown	10	1-1/4	3	10	246
385003	1-1/4" x 3"	White	10	1-1/4	3	10	246
385004	1-1/4" x 3"	Black	10	1-1/4	3	10	246
385005	1-1/4" x 3"	Charcoal	10	1-1/4	3	10	246
385021	1-1/4" x 3"	Galvanized	8	1-1/4	3	10	197
385022	1-1/4" x 3"	Brown	8	1-1/4	3	10	197
385023	1-1/4" x 3"	White	8	1-1/4	3	10	197
385024	1-1/4" x 3"	Black	8	1-1/4	3	10	197
385025	1-1/4" x 3"	Charcoal	8	1-1/4	3	10	197
385101	1" x 4"	Galvanized	10	1	4	10	273
385102	1" x 4"	Brown	10	1	4	10	273
385103	1" x 4"	White	10	1	4	10	273
385104	1" x 4"	Black	10	1	4	10	273
385105	1" x 4"	Charcoal	10	1	4	10	273
385121	1" x 4"	Galvanized	8	1	4	10	218
385122	1" x 4"	Brown	8	1	4	10	218
385123	1" x 4"	White	8	1	4	10	218
385124	1" x 4"	Black	8	1	4	10	218
385125	1" x 4"	Charcoal	8	1	4	10	218



WINDOW FLASHINGS — NO SAFETY

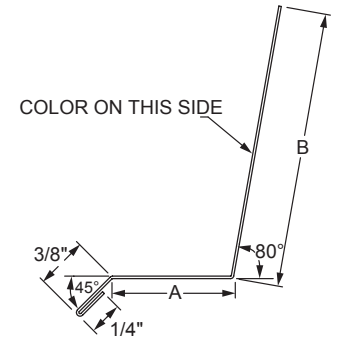
ITEM #	SIZE (")	COLOR	LGTH/FT	A (")	B (")	PCS/BNDL	WT/100
389061	1-1/8	Galvanized	10	1-1/8	2	10	191
389062	1-1/8	Brown	10	1-1/8	2	10	191
389063	1-1/8	White	10	1-1/8	2	10	191
389161	1-3/8	Galvanized	10	1-3/8	2	10	205
389162	1-3/8	Brown	10	1-3/8	2	10	205
389163	1-3/8	White	10	1-3/8	2	10	205
389201	1-5/8	Galvanized	10	1-5/8	2	10	219
389202	1-5/8	Brown	10	1-5/8	2	10	219
389203	1-5/8	White	10	1-5/8	2	10	219
389281	2	Galvanized	10	2	2	10	246
389282	2	Brown	10	2	2	10	246
389283	2	White	10	2	2	10	246



- E.&O.E. - Subject to Change Without Notice - May Not Be Available At All Locations -

WINDOW FLASHINGS — SAFETY

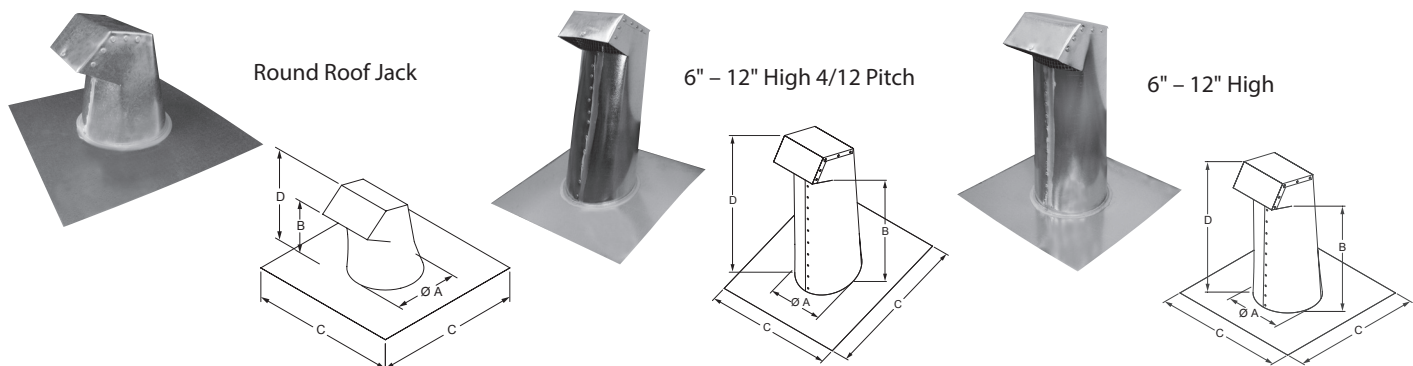
ITEM #	SIZE (")	COLOR	LGTH/FT	A (")	B (")	PCS/BNDL	WT/100
387301	7/8	Galvanized	10	7/8	2	10	191
387302	7/8	Brown	10	7/8	2	10	191
387303	7/8	White	10	7/8	2	10	191
387304	7/8	Black	10	7/8	2	10	191
387305	7/8	Charcoal	10	7/8	2	10	191
387401	1-1/4	Galvanized	10	1-1/4	3	10	219
387402	1-1/4	Brown	10	1-1/4	3	10	219
387403	1-1/4	White	10	1-1/4	3	10	219
387404	1-1/4	Black	10	1-1/4	3	10	219
387405	1-1/4	Charcoal	10	1-1/4	3	10	219
387501	1-1/2	Galvanized	10	1-1/2	3	10	232
387502	1-1/2	Brown	10	1-1/2	3	10	232
387503	1-1/2	White	10	1-1/2	3	10	232
387504	1-1/2	Black	10	1-1/2	3	10	232
387505	1-1/2	Charcoal	10	1-1/2	3	10	232
387601	1-3/4	Galvanized	10	1-3/4	3	10	246
387602	1-3/4	Brown	10	1-3/4	3	10	246
387603	1-3/4	White	10	1-3/4	3	10	246
387604	1-3/4	Black	10	1-3/4	3	10	246
387605	1-3/4	Charcoal	10	1-3/4	3	10	246
387606	1-3/4	Tan	10	1-3/4	3	10	246
387608	1-3/4	Grey	10	1-3/4	3	10	246
387701	2	Galvanized	10	2	3	10	260
387702	2	Brown	10	2	3	10	260
387703	2	White	10	2	3	10	260
387704	2	Black	10	2	3	10	260
387705	2	Charcoal	10	2	3	10	260
387801	3	Galvanized	10	3	3	10	328
387802	3	Brown	10	3	3	10	328
387803	3	White	10	3	3	10	328
387804	3	Black	10	3	3	10	328
387805	3	Charcoal	10	3	3	10	328



– E.&O.E. – Subject to Change Without Notice – May Not Be Available At All Locations –

ROOF JACKS — ROUND

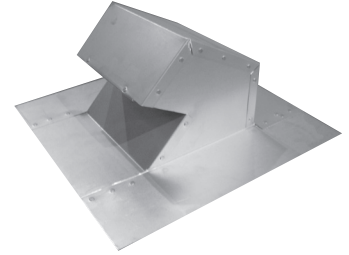
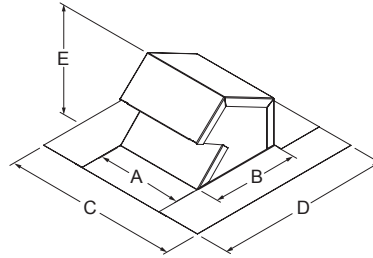
ITEM #	DESCRIPTION	COLOR	A (")	B (")	C (")	D (")	CTN/QTY	WT/100
130250	6" with Damper	Galvanized	6	4-1/4	14	7-1/2	10	190
130309	6" Soldered	Galvanized	6	4-1/4	14	7-1/2	10	190
130303	6" – 12" High	Galvanized	6	12	14	15-1/2	10	200
130307	6" – 12" High Solder	Galvanized	6	12	14	15-1/2	10	240
130308	6" – 12" High w/Damper, Soldered	Galvanized	6	12	14	15-1/2	10	245
130330	6" – 12" High	Brown	6	12	13-1/2	15-1/2	10	240
130331	6" – 12" High	Black	6	12	13-1/2	15-1/2	10	240
130332	6" – 12" High	Charcoal	6	12	13-1/2	15-1/2	10	240
130305	6" – 12" High 4/12P	Galvanized	6	11-1/2	14	14-7/8	10	200
130260	6" with Damper and Screen	Galvanized	6	4-1/4	14	7-1/2	10	195
130259	6" with Damper, Soldered	Galvanized	6	4-1/4	14	7-1/2	10	195
130311	6" Round	Brown	6	4-1/4	14	7-1/2	10	140
130313	6" Round	Black	6	4-1/4	14	7-1/2	10	140
130314	6" Round	Charcoal	6	4-1/4	14	7-1/2	10	140
130315	6" Round	Grey	6	4-1/4	14	7-1/2	10	140
130301	6" Round – Flared Base	Galvanized	6	4-1/4	14	7-1/2	10	190
130302	6" Round – 8" High	Galvanized	6	8	13-1/2	11	10	210
130316	6" with Damper	Brown	6	4-1/4	14	7-1/2	10	190
130318	6" with Damper	Black	6	4-1/4	14	7-1/2	10	190
130320	6" with Damper	Charcoal	6	4-1/4	14	7-1/2	10	190
130322	6" with Damper	Grey	6	4-1/4	14	7-1/2	10	190
130336	6" – 12" High with Damper	Brown	6	4-1/4	13-1/2	15-1/2	10	245
130337	6" – 12" High with Damper	Black	6	4-1/4	13-1/2	15-1/2	10	245
130338	6" – 12" High with Damper	Charcoal	6	4-1/4	13-1/2	15-1/2	10	245
130500	8" – All Pitch	Galvanized	7-3/4	4-3/4	15	8-7/8	10	230
130509	8" Soldered	Galvanized	7-3/4	4-3/4	15	8-7/8	10	260
130501	8" Round	Brown	7-3/4	4-3/4	15	8-7/8	10	190
130502	8" Round	Black	7-3/4	4-3/4	15	8-7/8	10	190
130503	8" Round	Charcoal	7-3/4	4-3/4	15	8-7/8	10	190
130505	8" Round	Grey	7-3/4	4-3/4	15	8-7/8	10	190
130550	8" with Damper	Galvanized	7-3/4	4-3/4	15	8-7/8	10	235
130551	8" with Damper	Brown	7-3/4	4-3/4	15	8-7/8	10	200
130552	8" with Damper	Black	7-3/4	4-3/4	15	8-7/8	10	200
130553	8" with Damper	Charcoal	7-3/4	4-3/4	15	8-7/8	10	200
130555	8" with Damper	Grey	7-3/4	4-3/4	15	8-7/8	10	200



– E.&O.E. – Subject to Change Without Notice – May Not Be Available At All Locations –

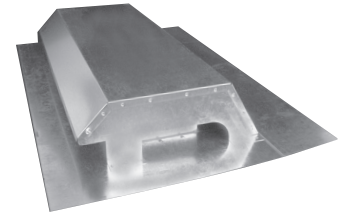
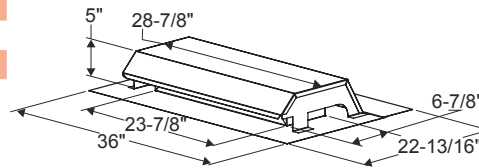
ROOF JACKS SQUARE TOP — SOLDERED — 8" x 8" — 26 GAUGE

ITEM #	SIZE (")	COLOR	A (")	B (")	C (")	D (")	E (")	CTN/QTY	WT/100
130108	8 x 8	Galvanized	8	8	16	16	7	10	270
130111	8 x 8	Brown	8	8	16	16	7	10	270
130113	8 x 8	Black	8	8	16	16	7	10	270
130114	8 x 8	Charcoal	8	8	16	16	7	10	270



ROOF JACKS — EC144

ITEM #	COLOR	CTN/QTY	WT/100
130600	Galvanized	*	1075
130602	Brown	*	1075
130604	Black	*	1075
130605	Charcoal	*	1075

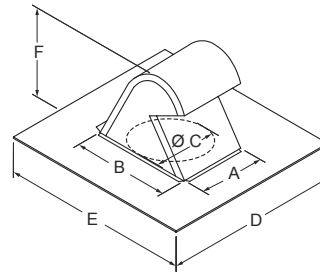


*Product shipped individually.

NOTE: Free Area = 100 Sq. In.

ROOF JACKS ALL PITCH — 8" x 8"

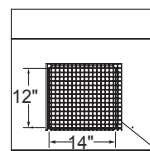
ITEM #	DESCRIPTION	COLOR	A (")	B (")	C (")	D (")	E (")	F (")	CTN/QTY	WT/100
130100	26 GA	Galvanized	8	9	7-1/2	15	17	8-1/2	10	298



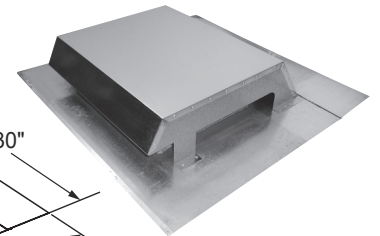
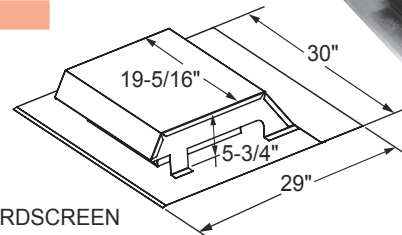
ATTIC VENTS — SQUARE — SOLDERED — 14" x 12"

ITEM #	DESCRIPTION	COLOR	CTN/QTY	WT/100
130596	Attic Vent	Galvanized	*	990

*Product shipped individually.



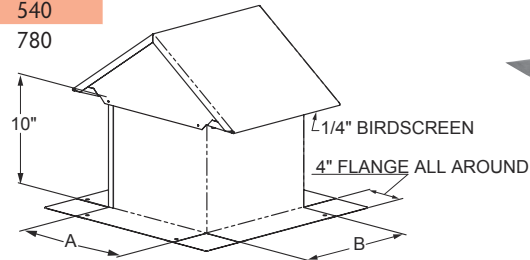
1/4" x 1/4" BIRDSCREEN



-E.&O.E. - Subject to Change Without Notice - May Not Be Available At All Locations -

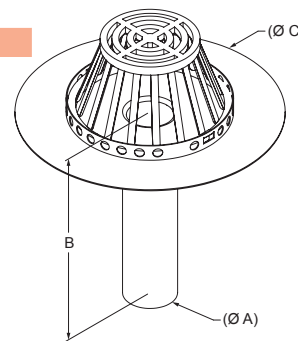
BUILT UP ROOF VENTS

ITEM #	SIZE (")	COLOR	A (")	B (")	WT/100
130569	5 × 14	Galvanized	5	14	620
130560	6 × 6	Galvanized	6	6	420
130562	8 × 8	Galvanized	8	8	540
130566	12 × 12	Galvanized	12	12	780



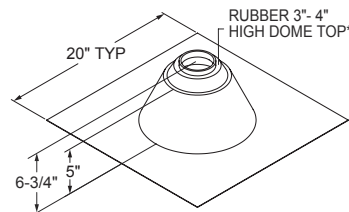
ALUMINUM ROOF DRAINS — PLASTIC TOP

ITEM #	SIZE (")	A (")	B (")	C (")	CTN/QTY	WT/100
379832	2	1-3/4	11	13-1/2	10	180
379833	3	2-3/4	11	13-1/2	10	190
379834	4	3-3/4	11	13-1/2	10	200



ALUMINUM ROOF FLASHING — HIGH DOME

ITEM #	SIZE (")	CTN/QTY	WT/100
379840	3 - 4	10	400

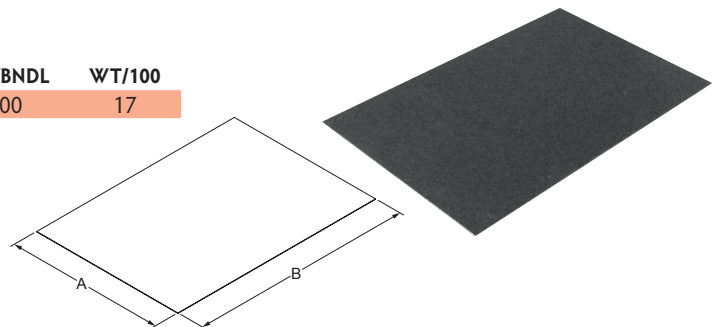


*REMOVEABLE 3" SECTION FOR 4" CONFIGURATION



SIDING SHINGLES

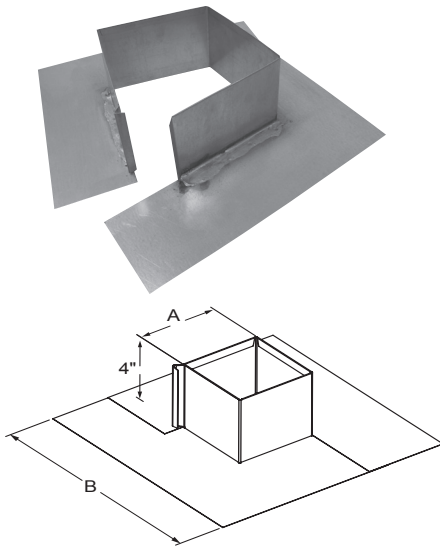
ITEM #	SIZE (")	COLOR	A (")	B (")	PCS/BNDL	WT/100
382602	5 × 8	Brown	5	8	100	17



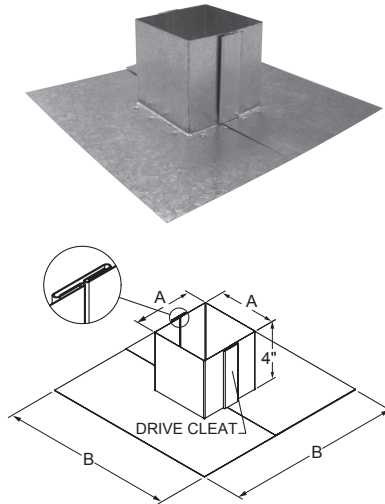
-E.&O.E. - Subject to Change Without Notice - May Not Be Available At All Locations -

GUM CUPS

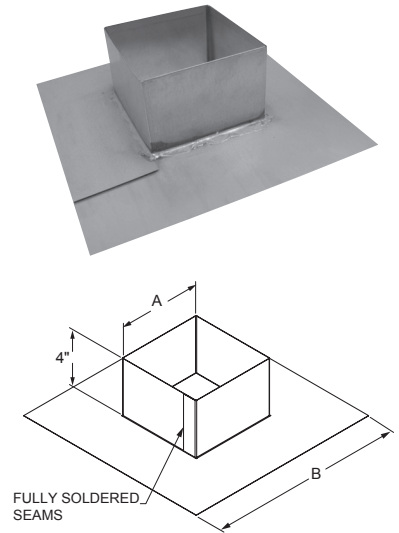
ITEM #	DESCRIPTION	COLOR	A (")	B (")	CTN/QTY	WT/100
130644	4" – Combo	Galvanized	4	12	20	130
130646	6" – Combo	Galvanized	6	14	10	170
130654	4" – Open with Clips	Galvanized	4	12	20	140
130656	6" – Open with Clips	Galvanized	6	14	10	180
130664	4" – Closed	Galvanized	4	12	20	123
130666	6" – Closed	Galvanized	6	14	10	165



Gum Cup – Combo



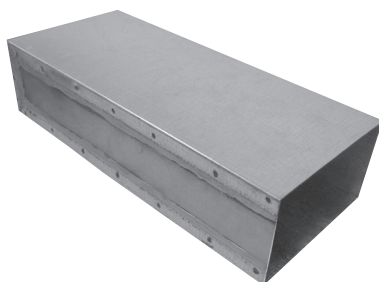
Gum Cup – Open with Clips



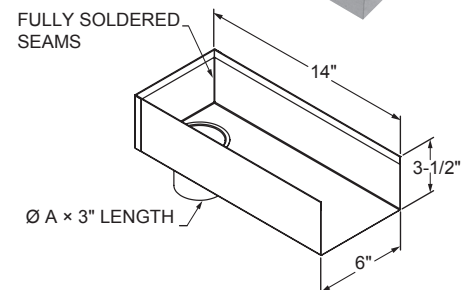
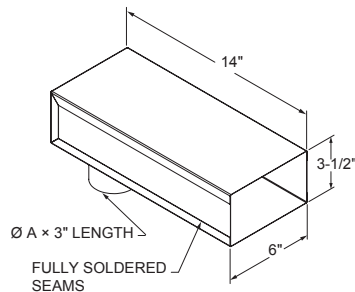
Gum Cup – Closed

SCUPPERS

ITEM #	DESCRIPTION	COLOR	A (")	CTN/QTY	WT/100
130674	6" – Open – 2-3/4" Pipe	Galvanized	2-3/4	20	150
130676	6" – Open – 4" Pipe	Galvanized	4	20	150
130684	6" – Closed – 2-3/4" Pipe	Galvanized	2-3/4	10	200
130686	6" – Closed – 4" Pipe	Galvanized	4	10	200



Scupper – Closed



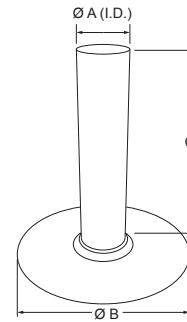
Scupper – Open

– E.&O.E. – Subject to Change Without Notice – May Not Be Available At All Locations –

ALUMINUM STACKS

ITEM #	SIZE (")	A (")	B (")	C (")	CTN/QTY	WT/100
379800	1-1/4	1-7/8	10	12	*	105
379801	1-1/2	2-3/8	10	12	*	110
379802	2	2-5/8	11	12	*	115
379803	3	3-5/8	12	12	*	125
379804	4	4-7/8	12	12	*	135

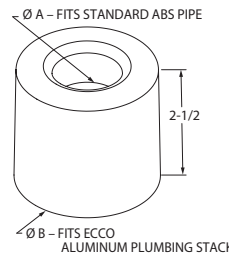
*Product shipped individually.



ALUMINUM STACK CAPS

ITEM #	SIZE (")	A (")	B (")	CTN/QTY	WT/100
379810	1-1/4	1-1/4	2	*	35
379811	1-1/2	1-1/2	2-1/2	*	40
379812	2	2	2-3/4	*	50
379813	3	3	3-3/4	*	65
379814	4	4	5	*	82

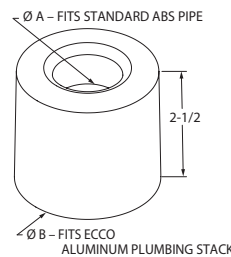
*Product shipped individually.



PLASTIC STACK CAPS

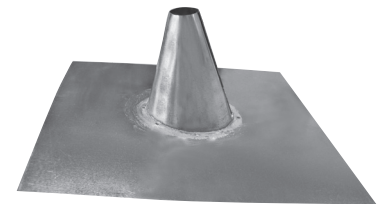
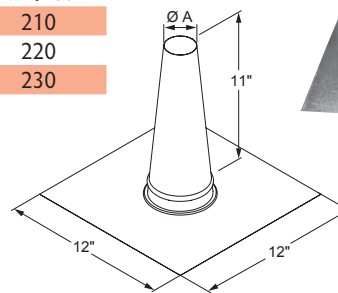
ITEM #	SIZE (")	A (")	B (")	CTN/QTY	WT/100
680030	1-1/2	1-1/2	2-1/2	*	100
680032	2	2	2-3/4	*	150
680034	3	3	3-3/4	*	200

*Product shipped individually.



I.P.S. ADJUSTABLE ROOF FLASHINGS

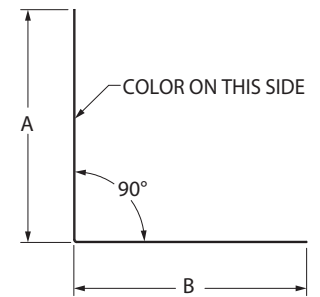
ITEM #	SIZE (")	COLOR	A (")	CTN/QTY	WT/100
131201	1-1/2	Galvanized	1-1/2	10	210
131202	2-1/2	Galvanized	2-1/2	10	220
131203	3-1/2	Galvanized	3-1/2	10	230



- E.&O.E. - Subject to Change Without Notice - May Not Be Available At All Locations -

EDGE FLASHINGS — 90 DEGREE

ITEM #	SIZE (")	COLOR	LGTH/FT	A (")	B (")	PCS/BNDL	WT/100
380801	1 × 1	Galvanized	10	1	1	20	109
380802	1 × 1	Brown	10	1	1	20	109
380803	1 × 1	White	10	1	1	20	109
380804	1 × 1	Black	10	1	1	20	109
380805	1 × 1	Grey	10	1	1	20	109
380806	1 × 1-1/2	Galvanized	10	1	1-1/2	20	137
380807	1 × 1-1/2	Brown	10	1	1-1/2	20	137
380808	1 × 1-1/2	White	10	1	1-1/2	20	137
380809	1 × 1-1/2	Black	10	1	1-1/2	20	137
380810	1 × 1-1/2	Grey	10	1	1-1/2	20	137
380811	1 × 2	Galvanized	10	1	2	20	164
380812	1 × 2	Brown	10	1	2	20	164
380813	1 × 2	White	10	1	2	20	164
380814	1 × 2	Black	10	1	2	20	164
380815	1 × 2	Grey	10	1	2	20	164
380826	1 × 3	Galvanized	10	1	3	20	219
380827	1 × 3	Brown	10	1	3	20	219
380828	1 × 3	White	10	1	3	20	219
380829	1 × 3	Black	10	1	3	20	219
380830	1 × 3	Grey	10	1	3	20	219
380816	1-1/2 × 1-1/2	Galvanized	10	1-1/2	1-1/2	20	164
380817	1-1/2 × 1-1/2	Brown	10	1-1/2	1-1/2	20	164
380818	1-1/2 × 1-1/2	White	10	1-1/2	1-1/2	20	164
380819	1-1/2 × 1-1/2	Black	10	1-1/2	1-1/2	20	164
380820	1-1/2 × 1-1/2	Grey	10	1-1/2	1-1/2	20	164
380980	1-1/2 × 1-1/2	Stainless Steel	10	1-1/2	1-1/2	20	175
380821	1-1/2 × 2	Galvanized	10	1-1/2	2	20	191
380822	1-1/2 × 2	Brown	10	1-1/2	2	20	191
380823	1-1/2 × 2	White	10	1-1/2	2	20	191
380824	1-1/2 × 2	Black	10	1-1/2	2	20	191
380825	1-1/2 × 2	Grey	10	1-1/2	2	20	191
380831	2 × 2	Galvanized	10	2	2	20	219
380832	2 × 2	Brown	10	2	2	20	219
380833	2 × 2	White	10	2	2	20	219
380834	2 × 2	Black	10	2	2	20	219
380835	2 × 2	Grey	10	2	2	20	219
380836	2 × 3	Galvanized	10	2	3	10	273
380837	2 × 3	Brown	10	2	3	10	273
380838	2 × 3	White	10	2	3	10	273
380839	2 × 3	Black	10	2	3	10	273
380840	2 × 3	Grey	10	2	3	10	273
380841	2 × 4	Galvanized	10	2	4	10	328
380842	2 × 4	Brown	10	2	4	10	328
380843	2 × 4	White	10	2	4	10	328
380844	2 × 4	Black	10	2	4	10	328
380845	2 × 4	Grey	10	2	4	10	328
380846	3 × 3	Galvanized	10	3	3	10	328
380847	3 × 3	Brown	10	3	3	10	328
380848	3 × 3	White	10	3	3	10	328
380849	3 × 3	Black	10	3	3	10	328
380850	3 × 3	Grey	10	3	3	10	328
380800	4 × 6	Black	10	4	6	5	547

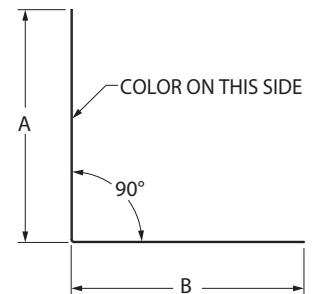


— E.&O.E. — Subject to Change Without Notice — May Not Be Available At All Locations —

EDGE FLASHINGS — 90 DEGREE (cont'd)

28 GAUGE

ITEM #	SIZE (")	COLOR	LGTH/FT	A (")	B (")	PCS/BNDL	WT/100
380851	3 x 4	Galvanized	10	3	4	10	456
380852	3 x 4	Brown	10	3	4	10	456
380853	3 x 4	White	10	3	4	10	456
380854	3 x 4	Black	10	3	4	10	456
380855	3 x 4	Grey	10	3	4	10	456
380856	3 x 5	Galvanized	10	3	5	5	521
380857	3 x 5	Brown	10	3	5	5	521
380858	3 x 5	White	10	3	5	5	521
380859	3 x 5	Black	10	3	5	5	521
380860	3 x 5	Grey	10	3	5	5	521
380861	4 x 4	Galvanized	10	4	4	5	521
380862	4 x 4	Brown	10	4	4	5	521
380863	4 x 4	White	10	4	4	5	521
380864	4 x 4	Black	10	4	4	5	521
380865	4 x 4	Grey	10	4	4	5	521
380866	4 x 6	Galvanized	10	4	6	5	651
380867	4 x 6	Brown	10	4	6	5	651
380868	4 x 6	White	10	4	6	5	651
380869	4 x 6	Black	10	4	6	5	651
380870	4 x 6	Grey	10	4	6	5	651
386551	5 x 5	Galvanized	10	5	5	10	650
380871	6 x 6	Galvanized	10	6	6	5	781
380872	6 x 6	Brown	10	6	6	5	781
380873	6 x 6	White	10	6	6	5	781
380874	6 x 6	Black	10	6	6	5	781
380875	6 x 6	Grey	10	6	6	5	781



26 GAUGE

ITEM #	SIZE (")	COLOR	LGTH/FT	A (")	B (")	PCS/BNDL	WT/100
380891	1-1/2 x 1-1/2	Galvanized	10	1-1/2	1-1/2	20	227
380892	1-1/2 x 1-1/2	Brown	10	1-1/2	1-1/2	20	227
380893	1-1/2 x 1-1/2	White	10	1-1/2	1-1/2	20	227
380904	1-1/2 x 1-1/2	Black	10	1-1/2	1-1/2	20	227
380905	1-1/2 x 1-1/2	Grey	10	1-1/2	1-1/2	20	227
380906	1-1/2 x 2	Galvanized	10	1-1/2	2	10	264
380907	1-1/2 x 2	Brown	10	1-1/2	2	10	264
380908	1-1/2 x 2	White	10	1-1/2	2	10	264
380909	1-1/2 x 2	Black	10	1-1/2	2	10	264
380910	1-1/2 x 2	Grey	10	1-1/2	2	10	264
380911	1 x 3	Galvanized	10	1	3	10	302
380912	1 x 3	Brown	10	1	3	10	302
380913	1 x 3	White	10	1	3	10	302
380914	1 x 3	Black	10	1	3	10	302
380915	1 x 3	Grey	10	1	3	10	302
380916	2 x 2	Galvanized	10	2	2	10	302
380917	2 x 2	Brown	10	2	2	10	302
380918	2 x 2	White	10	2	2	10	302

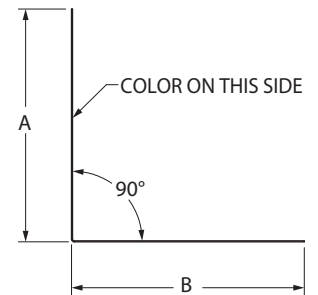
(cont'd on next page)

- E.&O.E. - Subject to Change Without Notice - May Not Be Available At All Locations -

EDGE FLASHINGS — 90 DEGREE (cont'd)

26 GAUGE (cont'd)

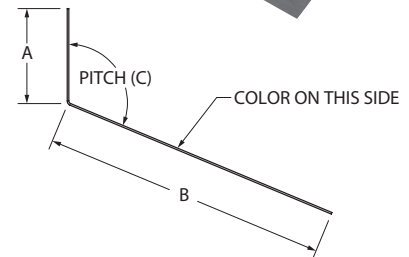
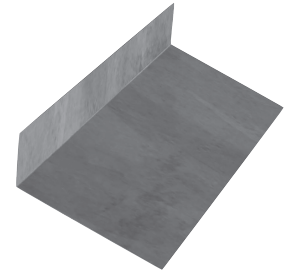
ITEM #	SIZE (")	COLOR	LGTH/FT	A (")	B (")	PCS/BNDL	WT/100
380919	2 x 2	Black	10	2	2	10	302
380920	2 x 2	Grey	10	2	2	10	302
380986	2 x 2	Stainless Steel	10	2	2	10	233
380921	2 x 3	Galvanized	10	2	3	10	378
380922	2 x 3	Brown	10	2	3	10	378
380923	2 x 3	White	10	2	3	10	378
380924	2 x 3	Black	10	2	3	10	378
380925	2 x 3	Grey	10	2	3	10	378
380926	2 x 4	Galvanized	10	2	4	10	453
380927	2 x 4	Brown	10	2	4	10	453
380928	2 x 4	White	10	2	4	10	453
380929	2 x 4	Black	10	2	4	10	453
380930	2 x 4	Grey	10	2	4	10	453
380931	3 x 3	Galvanized	10	3	3	10	453
380932	3 x 3	Brown	10	3	3	10	453
380933	3 x 3	White	10	3	3	10	453
380934	3 x 3	Black	10	3	3	10	453
380935	3 x 3	Grey	10	3	3	10	453
380936	3 x 4	Galvanized	10	3	4	5	529
380937	3 x 4	Brown	10	3	4	5	529
380938	3 x 4	White	10	3	4	5	529
380939	3 x 4	Black	10	3	4	5	529
380940	3 x 4	Grey	10	3	4	5	529
380941	3 x 5	Galvanized	10	3	5	5	604
380942	3 x 5	Brown	10	3	5	5	604
380943	3 x 5	White	10	3	5	5	604
380944	3 x 5	Black	10	3	5	5	604
380945	3 x 5	Grey	10	3	5	5	604
380951	4 x 4	Galvanized	10	4	4	5	604
380952	4 x 4	Brown	10	4	4	5	604
380953	4 x 4	White	10	4	4	5	604
380954	4 x 4	Black	10	4	4	5	604
380955	4 x 4	Grey	10	4	4	5	604
380961	4 x 6	Galvanized	10	4	6	5	755
380962	4 x 6	Brown	10	4	6	5	755
380963	4 x 6	White	10	4	6	5	755
380964	4 x 6	Black	10	4	6	5	755
380965	4 x 6	Grey	10	4	6	5	755
380971	6 x 6	Galvanized	10	6	6	5	906
380972	6 x 6	Brown	10	6	6	5	906
380973	6 x 6	White	10	6	6	5	906
380974	6 x 6	Black	10	6	6	5	906
380975	6 x 6	Grey	10	6	6	5	906



- E.&O.E. - Subject to Change Without Notice - May Not Be Available At All Locations -

ROOF TO WALL FLASHINGS

ITEM #	SIZE (")	COLOR	LGTH/FT	A (")	B (")	C	PCS/BNDL	WT/100
382301	1 x 3	Galvanized	10	1	3	5/12	20	219
382302	1 x 3	Brown	10	1	3	5/12	20	219
382303	1 x 3	White	10	1	3	5/12	20	219
382304	1 x 3	Black	10	1	3	5/12	20	219
382305	1 x 3	Grey	10	1	3	5/12	20	219
382306	2 x 3	Galvanized	10	1	3	5/12	10	273
382307	2 x 3	Brown	10	2	3	5/12	10	273
382308	2 x 3	White	10	2	3	5/12	10	273
382309	2 x 3	Black	10	2	3	5/12	10	273
382310	2 x 3	Grey	10	2	3	5/12	10	273



28 GAUGE

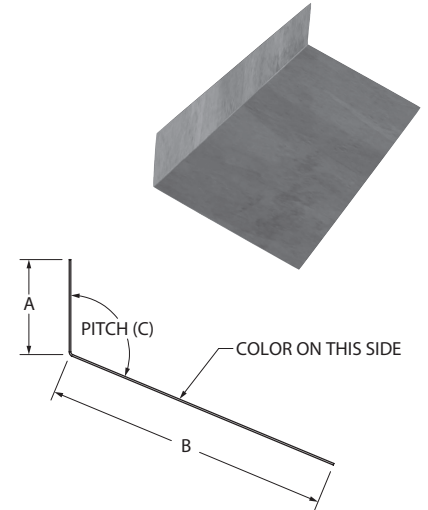
ITEM #	SIZE (")	COLOR	LGTH/FT	A (")	B (")	C	PCS/BNDL	WT/100
382351	3 x 5	Galvanized	10	3	5	5/12	5	521
382352	3 x 5	Brown	10	3	5	5/12	5	521
382353	3 x 5	White	10	3	5	5/12	5	521
382354	3 x 5	Black	10	3	5	5/12	5	521
382355	3 x 5	Grey	10	3	5	5/12	5	521
382361	4 x 4	Galvanized	10	4	4	5/12	5	521
382362	4 x 4	Brown	10	4	4	5/12	5	521
382363	4 x 4	White	10	4	4	5/12	5	521
382364	4 x 4	Black	10	4	4	5/12	5	521
382365	4 x 4	Grey	10	4	4	5/12	5	521
382371	4 x 6	Galvanized	10	4	6	5/12	5	651
382372	4 x 6	Brown	10	4	6	5/12	5	651
382373	4 x 6	White	10	4	6	5/12	5	651
382374	4 x 6	Black	10	4	6	5/12	5	651
382375	4 x 6	Grey	10	4	6	5/12	5	651
382381	5 x 5	Galvanized	10	5	5	5/12	5	651
382382	5 x 5	Brown	10	5	5	5/12	5	651
382383	5 x 5	White	10	5	5	5/12	5	651
382384	5 x 5	Black	10	5	5	5/12	5	651
382385	5 x 5	Grey	10	5	5	5/12	5	651
382401	3 x 5	Galvanized	10	3	5	9/12	5	521
382402	3 x 5	Brown	10	3	5	9/12	5	521
382403	3 x 5	White	10	3	5	9/12	5	521
382404	3 x 5	Black	10	3	5	9/12	5	521
382405	3 x 5	Grey	10	3	5	9/12	5	521
382411	4 x 4	Galvanized	10	4	4	9/12	5	521
382412	4 x 4	Brown	10	4	4	9/12	5	521
382413	4 x 4	White	10	4	4	9/12	5	521
382414	4 x 4	Black	10	4	4	9/12	5	521
382415	4 x 4	Grey	10	4	4	9/12	5	521
382421	4 x 6	Galvanized	10	4	6	9/12	5	651
382422	4 x 6	Brown	10	4	6	9/12	5	651
382423	4 x 6	White	10	4	6	9/12	5	651
382424	4 x 6	Black	10	4	6	9/12	5	651
382425	4 x 6	Grey	10	4	6	9/12	5	651
382431	5 x 5	Galvanized	10	5	5	9/12	5	651
382432	5 x 5	Brown	10	5	5	9/12	5	651
382433	5 x 5	White	10	5	5	9/12	5	651
382434	5 x 5	Black	10	5	5	9/12	5	651
382435	5 x 5	Grey	10	5	5	9/12	5	651

- E.&O.E. - Subject to Change Without Notice - May Not Be Available At All Locations -

ROOF TO WALL FLASHINGS (cont'd)

26 GAUGE

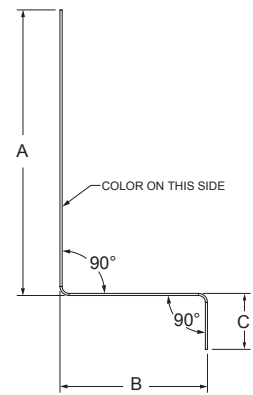
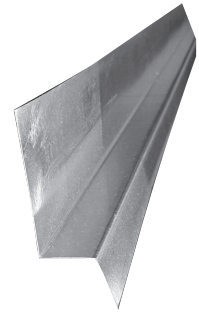
ITEM #	SIZE (")	COLOR	LGTH/FT	A (")	B (")	C	PCS/BNDL	WT/100
382451	1 x 3	Galvanized	10	1	3	5/12	10	302
382452	1 x 3	Brown	10	1	3	5/12	10	302
382453	1 x 3	White	10	1	3	5/12	10	302
382454	1 x 3	Black	10	1	3	5/12	10	302
382455	1 x 3	Grey	10	1	3	5/12	10	302
382461	2 x 3	Galvanized	10	1	3	5/12	10	378
382462	2 x 3	Brown	10	2	3	5/12	10	378
382463	2 x 3	White	10	2	3	5/12	10	378
382464	2 x 3	Black	10	2	3	5/12	10	378
382465	2 x 3	Grey	10	2	3	5/12	10	378
382471	3 x 5	Galvanized	10	3	5	5/12	5	604
382472	3 x 5	Brown	10	3	5	5/12	5	604
382473	3 x 5	White	10	3	5	5/12	5	604
382474	3 x 5	Black	10	3	5	5/12	5	604
382475	3 x 5	Grey	10	3	5	5/12	5	604
382481	4 x 4	Galvanized	10	4	4	5/12	5	604
382482	4 x 4	Brown	10	4	4	5/12	5	604
382483	4 x 4	White	10	4	4	5/12	5	604
382484	4 x 4	Black	10	4	4	5/12	5	604
382485	4 x 4	Grey	10	4	4	5/12	5	604
382491	4 x 6	Galvanized	10	4	6	5/12	5	755
382492	4 x 6	Brown	10	4	6	5/12	5	755
382493	4 x 6	White	10	4	6	5/12	5	755
382494	4 x 6	Black	10	4	6	5/12	5	755
382495	4 x 6	Grey	10	4	6	5/12	5	755
382501	5 x 5	Galvanized	10	5	5	5/12	5	755
382502	5 x 5	Brown	10	5	5	5/12	5	755
382503	5 x 5	White	10	5	5	5/12	5	755
382504	5 x 5	Black	10	5	5	5/12	5	755
382505	5 x 5	Grey	10	5	5	5/12	5	755
382551	3 x 5	Galvanized	10	3	5	9/12	5	604
382552	3 x 5	Brown	10	3	5	9/12	5	604
382553	3 x 5	White	10	3	5	9/12	5	604
382554	3 x 5	Black	10	3	5	9/12	5	604
382555	3 x 5	Grey	10	3	5	9/12	5	604
382561	4 x 4	Galvanized	10	4	4	9/12	5	604
382562	4 x 4	Brown	10	4	4	9/12	5	604
382563	4 x 4	White	10	4	4	9/12	5	604
382564	4 x 4	Black	10	4	4	9/12	5	604
382565	4 x 4	Grey	10	4	4	9/12	5	604
382571	4 x 6	Galvanized	10	4	6	9/12	5	755
382572	4 x 6	Brown	10	4	6	9/12	5	755
382573	4 x 6	White	10	4	6	9/12	5	755
382574	4 x 6	Black	10	4	6	9/12	5	755
382575	4 x 6	Grey	10	4	6	9/12	5	755
382581	5 x 5	Galvanized	10	5	5	9/12	5	755
382582	5 x 5	Brown	10	5	5	9/12	5	755
382583	5 x 5	White	10	5	5	9/12	5	755
382584	5 x 5	Black	10	5	5	9/12	5	755
382585	5 x 5	Grey	10	5	5	9/12	5	755



- E.&O.E. - Subject to Change Without Notice - May Not Be Available At All Locations -

Z METAL FLASHINGS — 90°

ITEM #	SIZE (")	COLOR	LGTH/FT	A (")	B (")	C (")	PCS/BNDL	WT/100
389916	2-1/4 × 3/8 × 3/8	Galvanized	10	2-1/4	3/8	3/8	20	164
389917	2-1/4 × 3/8 × 3/8	Brown	10	2-1/4	3/8	3/8	20	164
389918	2-1/4 × 3/8 × 3/8	White	10	2-1/4	3/8	3/8	20	164
389919	2-1/4 × 3/8 × 3/8	Black	10	2-1/4	3/8	3/8	20	164
389923	2-1/8 × 7/16 × 3/8	Galvanized	10	2-1/8	7/16	3/8	20	164
389925	2-1/8 × 7/16 × 3/8	White	10	2-1/8	7/16	3/8	20	164
389645	2-1/8 × 1/2 × 3/8	Galvanized	10	2-1/8	1/2	3/8	20	164
389910	2-1/8 × 1/2 × 3/8	Brown	10	2-1/8	1/2	3/8	20	164
389912	2-1/8 × 1/2 × 3/8	White	10	2-1/8	1/2	3/8	20	164
389899	2-1/8 × 1/2 × 3/8	Black	10	2-1/8	1/2	3/8	20	164
389633	2-1/8 × 1 × 3/8	Stainless Steel	10	2-1/8	1	3/8	20	204
389637	2-1/8 × 1-1/2 × 3/8	Stainless Steel	10	2-1/8	1-1/2	3/8	20	233
389926	2 × 5/8 × 3/8	Galvanized	10	2	5/8	3/8	20	164
389927	2 × 5/8 × 3/8	Brown	10	2	5/8	3/8	20	164
389928	2 × 5/8 × 3/8	White	10	2	5/8	3/8	20	164
389929	2 × 5/8 × 3/8	Black	10	2	5/8	3/8	20	164
389630	2 × 5/8 × 3/8	Stainless Steel	10	2	5/8	3/8	20	175
389886	1-7/8 × 3/4 × 3/8	Galvanized	10	1-7/8	3/4	3/8	10	164
389889	1-7/8 × 3/4 × 3/8	Brown	10	1-7/8	3/4	3/8	10	164
389888	1-7/8 × 3/4 × 3/8	White	10	1-7/8	3/4	3/8	10	164
389890	1-7/8 × 3/4 × 3/8	Black	10	1-7/8	3/4	3/8	10	164
389631	1-7/8 × 3/4 × 3/8	Stainless Steel	10	1-7/8	3/4	3/8	10	175
389635	1-7/8 × 1-1/4 × 3/8	Stainless Steel	10	1-7/8	1-1/4	3/8	10	204
389653	1-1/2 × 1 × 1/4 26 GA	Aluminum	10	1-1/2	1	1/4	10	52
389941	2 × 1 × 3/8	Galvanized	10	2	1	3/8	20	185
389944	2 × 1 × 3/8	Brown	10	2	1	3/8	20	191
389943	2 × 1 × 3/8	White	10	2	1	3/8	20	185
389942	2 × 1 × 3/8	Black	10	2	1	3/8	20	191
389932	2 × 1-1/8 × 3/8	Galvanized	10	2	1-1/8	3/8	20	191
389933	2 × 1-1/8 × 3/8	Brown	10	2	1-1/8	3/8	20	191
389934	2 × 1-1/8 × 3/8	White	10	2	1-1/8	3/8	20	191
389634	2 × 1-1/8 × 3/8	Stainless Steel	10	2	1-1/8	3/8	20	204
389951	2 × 1-1/4 × 3/8	Galvanized	10	2	1-1/4	3/8	10	205
389953	2 × 1-1/4 × 3/8	White	10	2	1-1/4	3/8	10	205
389961	2 × 1-1/2 × 3/8	Galvanized	10	2	1-1/2	3/8	20	219
389882	2 × 1-1/2 × 3/8	Brown	10	2	1-1/2	3/8	20	219
389963	2 × 1-1/2 × 3/8	White	10	2	1-1/2	3/8	20	219
389962	2 × 1-1/2 × 3/8	Black	10	2	1-1/2	3/8	20	219
389913	2 × 1-5/8 × 3/8	Galvanized	10	2	1-5/8	3/8	20	219
389914	2 × 1-5/8 × 3/8	Brown	10	2	1-5/8	3/8	20	219
389915	2 × 1-5/8 × 3/8	White	10	2	1-5/8	3/8	20	219
389971	2 × 2 × 3/8	Galvanized	10	2	2	3/8	10	246
389972	2 × 2 × 3/8	Brown	10	2	2	3/8	10	246
389973	2 × 2 × 3/8	White	10	2	2	3/8	10	246
389641	2 × 2 × 3/8	Stainless Steel	10	2	3	3/8	10	255
389974	2 × 2-1/2 × 3/8 28 G	Galvanized	10	2	2-1/2	3/8	10	325
390103	2-1/2 × 2-1/2 × 3/8	White	10	2-1/2	2-1/2	3/8	10	301
389975	2 × 3 × 3/8	White	10	2	3	3/8	10	287
389841	3 × 1 × 3/8	Galvanized	10	3	1	3/8	10	232
389842	3 × 1 × 3/8	Brown	10	3	1	3/8	10	232
389843	3 × 1 × 3/8	White	10	3	1	3/8	10	232
389852	3 × 1-1/8 × 3/8	Galvanized	10	3	1-1/8	3/8	10	246



(cont'd on next page)

- E.&O.E. - Subject to Change Without Notice - May Not Be Available At All Locations -

Z METAL FLASHINGS — 90° (cont'd)

ITEM #	SIZE (")	COLOR	LGTH/FT	A (")	B (")	C (")	PCS/BNDL	WT/100
389853	3 × 1-1/8 × 3/8	Brown	10	3	1-1/8	3/8	10	246
389854	3 × 1-1/8 × 3/8	White	10	3	1-1/8	3/8	10	246
389861	3 × 1-1/4 × 3/8	Galvanized	10	3	1-1/4	3/8	10	246
389862	3 × 1-1/4 × 3/8	Brown	10	3	1-1/4	3/8	10	246
389863	3 × 1-1/4 × 3/8	White	10	3	1-1/4	3/8	10	246
389871	3 × 1-1/2 × 3/8	Galvanized	10	3	1-1/2	3/8	10	260
389872	3 × 1-1/2 × 3/8	Brown	10	3	1-1/2	3/8	10	260
389873	3 × 1-1/2 × 3/8	White	10	3	1-1/2	3/8	10	260
389658	4 × 1 × 3/8	Galvanized	10	4	1	3/8	10	287
389659	4 × 1 × 3/8	Brown	10	4	1	3/8	10	287
389660	4 × 1 × 3/8	White	10	4	1	3/8	10	287
389667	4 × 1-1/8 × 3/8	Galvanized	10	4	1-1/8	3/8	10	301
389668	4 × 1-1/8 × 3/8	Brown	10	4	1-1/8	3/8	10	301
389669	4 × 1-1/8 × 3/8	White	10	4	1-1/8	3/8	10	301
389676	4 × 1-1/4 × 3/8	Galvanized	10	4	1-1/4	3/8	10	308
389677	4 × 1-1/4 × 3/8	Brown	10	4	1-1/4	3/8	10	308
389678	4 × 1-1/4 × 3/8	White	10	4	1-1/4	3/8	10	308
389811	4 × 1-1/2 × 3/8	Galvanized	10	4	1-1/2	3/8	10	328
389812	4 × 1-1/2 × 3/8	Brown	10	4	1-1/2	3/8	10	328
389813	4 × 1-1/2 × 3/8	White	10	4	1-1/2	3/8	10	328
389814	4 × 1-1/2 × 3/8	Black	10	4	1-1/2	3/8	10	328
389883	4-1/2 × 1-1/2 × 3/8	White	10	4-1/2	1-1/2	3/8	10	342
389616	6 × 1-1/2 × 3/8	Brown	10	6	1-1/2	3/8	10	437



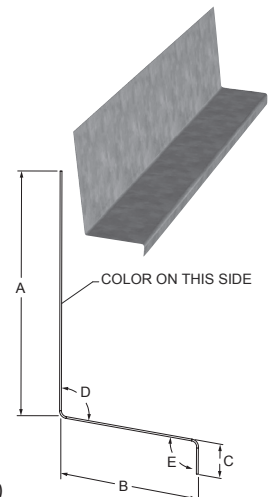
SHAKE MOLD (SM)

ITEM #	SIZE (")	COLOR	LGTH/FT	A (")	B (")	C (")	PCS/BNDL	WT/100
389891	1 × 1-1/4 × 1/4	Galvanized	10	1	1-1/4	1/4	10	137
389892	1 × 1-1/4 × 1/4	Brown	10	1	1-1/4	1/4	10	137
389893	1 × 1-1/4 × 1/4	White	10	1	1-1/4	1/4	10	137
389896	1 × 1-1/2 × 1/4	Galvanized	10	1	1-1/2	1/4	10	150
389897	1 × 1-1/2 × 1/4	Brown	10	1	1-1/2	1/4	10	150
389898	1 × 1-1/2 × 1/4	White	10	1	1-1/2	1/4	10	150

SLOPED Z METAL FLASHINGS

100°

ITEM #	SIZE (")	COLOR	LGTH/FT	A (")	B (")	C (")	D (°)	E (°)	PCS/BNDL	WT/100
389995	2 × 1-1/8 @ 100 × 1/4 @ 90	Brown	10	2	1-1/8	1/4	100	90	10	185
389976	2 × 1-1/8 @ 100 × 1/4 @ 90	White	10	2	1-1/8	1/4	100	90	10	185
389993	2 × 1-1/4 @ 100 × 1/4 @ 90	Brown	10	2	1-1/4	1/4	100	90	10	191
389994	2 × 1-1/4 @ 100 × 1/4 @ 90	White	10	2	1-1/4	1/4	100	90	10	191
389977	2 × 1-1/2 @ 100 × 1/4 @ 90	Brown	10	2	1-1/2	1/4	100	90	10	205
389978	2 × 1-1/2 @ 100 × 1/4 @ 90	White	10	2	1-1/2	1/4	100	90	10	205
389709	2 × 3/8 × 3/8 @ 100	Galvanized	10	2	3/8	3/8	100	100	20	164
389710	2 × 3/8 × 3/8 @ 100	Brown	10	2	3/8	3/8	100	100	20	164
389711	2 × 3/8 × 3/8 @ 100	White	10	2	3/8	3/8	100	100	20	164
389717	2 × 1/2 × 3/8 @ 100	Galvanized	10	2	1/2	3/8	100	100	20	164
389718	2 × 1/2 × 3/8 @ 100	Brown	10	2	1/2	3/8	100	100	20	164
389719	2 × 1/2 × 3/8 @ 100	White	10	2	1/2	3/8	100	100	20	164



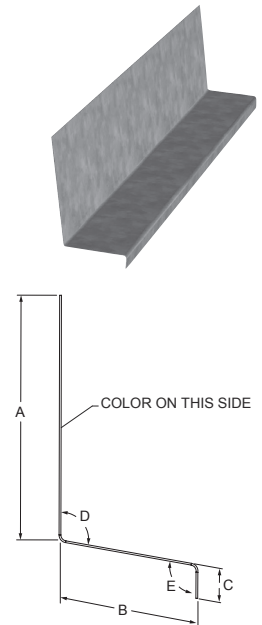
(cont'd on next page)

- E.&O.E. - Subject to Change Without Notice - May Not Be Available At All Locations -

SLOPED Z METAL FLASHINGS (cont'd)

100° (cont'd)

ITEM #	SIZE (")	COLOR	LGTH/FT	A (")	B (")	C (")	D (")	E (")	PCS/BNDL	WT/100
389730	2 x 5/8 x 3/8 @ 100	Galvanized	10	2	5/8	3/8	100	100	20	164
389731	2 x 5/8 x 3/8 @ 100	Brown	10	2	5/8	3/8	100	100	20	164
389732	2 x 5/8 x 3/8 @ 100	White	10	2	5/8	3/8	100	100	20	164
389742	2 x 3/4 x 3/8 @ 100	Galvanized	10	2	3/4	3/8	100	100	20	164
389743	2 x 3/4 x 3/8 @ 100	Brown	10	2	3/4	3/8	100	100	20	164
389744	2 x 3/4 x 3/8 @ 100	White	10	2	3/4	3/8	100	100	20	164
389754	2 x 1 x 3/8 @ 100	Galvanized	10	2	1	3/8	100	100	20	191
389755	2 x 1 x 3/8 @ 100	Brown	10	2	1	3/8	100	100	20	191
389756	2 x 1 x 3/8 @ 100	White	10	2	1	3/8	100	100	20	191
389757	2 x 1 x 3/8 @ 100	Black	10	2	1	3/8	100	100	20	191
389935	2 x 1-1/8 x 3/8 @ 100	Galvanized	10	2	1-1/8	3/8	100	100	20	191
389936	2 x 1-1/8 x 3/8 @ 100	Brown	10	2	1-1/8	3/8	100	100	20	191
389937	2 x 1-1/8 x 3/8 @ 100	White	10	2	1-1/8	3/8	100	100	20	191
389954	2 x 1-1/4 x 3/8 @ 100	Galvanized	10	2	1-1/4	3/8	100	100	20	191
389955	2 x 1-1/4 x 3/8 @ 100	Brown	10	2	1-1/4	3/8	100	100	20	198
389956	2 x 1-1/4 x 3/8 @ 100	White	10	2	1-1/4	3/8	100	100	20	198
389957	2 x 1-1/4 x 3/8 @ 100	Black	10	2	1-1/4	3/8	100	100	20	191
389964	2 x 1-1/2 x 3/8 @ 100	Galvanized	10	2	1-1/2	3/8	100	100	20	219
389965	2 x 1-1/2 x 3/8 @ 100	Brown	10	2	1-1/2	3/8	100	100	20	219
389966	2 x 1-1/2 x 3/8 @ 100	White	10	2	1-1/2	3/8	100	100	20	219
389967	2 x 1-1/2 x 3/8 @ 100	Black	10	2	1-1/2	3/8	100	100	20	219
389762	2 x 1-5/8 x 3/8 @ 100	Galvanized	10	2	1-5/8	3/8	100	100	20	219
389763	2 x 1-5/8 x 3/8 @ 100	Brown	10	2	1-5/8	3/8	100	100	20	219
389764	2 x 1-5/8 x 3/8 @ 100	White	10	2	1-5/8	3/8	100	100	20	219
389945	2 x 2 x 3/8 @ 100 28 GA	White	10	2	2	3/8	100	100	20	285
389846	3 x 1 x 3/8 @ 100	Galvanized	10	3	1	3/8	100	100	10	232
389847	3 x 1 x 3/8 @ 100	Brown	10	3	1	3/8	100	100	10	232
389848	3 x 1 x 3/8 @ 100	White	10	3	1	3/8	100	100	10	232
389855	3 x 1-1/8 x 3/8 @ 100	Galvanized	10	3	1-1/8	3/8	100	100	10	246
389856	3 x 1-1/8 x 3/8 @ 100	Brown	10	3	1-1/8	3/8	100	100	10	246
389857	3 x 1-1/8 x 3/8 @ 100	White	10	3	1-1/8	3/8	100	100	10	246
389864	3 x 1-1/4 x 3/8 @ 100	Galvanized	10	3	1-1/4	3/8	100	100	10	246
389865	3 x 1-1/4 x 3/8 @ 100	Brown	10	3	1-1/4	3/8	100	100	10	246
389866	3 x 1-1/4 x 3/8 @ 100	White	10	3	1-1/4	3/8	100	100	10	246
389831	3 x 1-1/2 x 3/8 @ 100	Galvanized	10	3	1-1/2	3/8	100	100	10	260
389832	3 x 1-1/2 x 3/8 @ 100	Brown	10	3	1-1/2	3/8	100	100	10	260
389833	3 x 1-1/2 x 3/8 @ 100	White	10	3	1-1/2	3/8	100	100	10	260
389661	4 x 1 x 3/8 @ 100	Galvanized	10	4	1	3/8	100	100	10	287
389662	4 x 1 x 3/8 @ 100	Brown	10	4	1	3/8	100	100	10	287
389663	4 x 1 x 3/8 @ 100	White	10	4	1	3/8	100	100	10	287
389670	4 x 1-1/8 x 3/8 @ 100	Galvanized	10	4	1-1/8	3/8	100	100	10	301
389671	4 x 1-1/8 x 3/8 @ 100	Brown	10	4	1-1/8	3/8	100	100	10	301
389672	4 x 1-1/8 x 3/8 @ 100	White	10	4	1-1/8	3/8	100	100	10	301
389679	4 x 1-1/4 x 3/8 @ 100	Galvanized	10	4	1-1/4	3/8	100	100	10	308
389680	4 x 1-1/4 x 3/8 @ 100	Brown	10	4	1-1/4	3/8	100	100	10	308
389681	4 x 1-1/4 x 3/8 @ 100	White	10	4	1-1/4	3/8	100	100	10	308
389818	4 x 1-1/2 x 3/8 @ 100	Galvanized	10	4	1-1-2	3/8	100	100	10	328
389819	4 x 1-1/2 x 3/8 @ 100	Brown	10	4	1-1-2	3/8	100	100	10	328
389820	4 x 1-1/2 x 3/8 @ 100	White	10	4	1-1-2	3/8	100	100	10	328

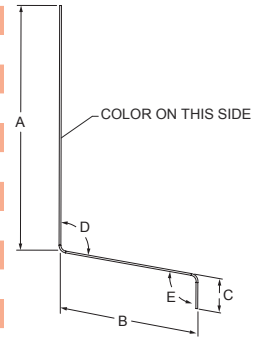
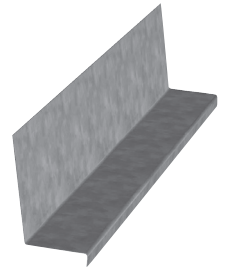


-E.&O.E. - Subject to Change Without Notice - May Not Be Available At All Locations -

SLOPED Z METAL FLASHINGS (cont'd)

110°

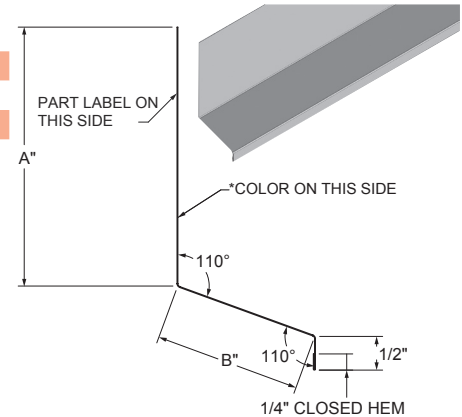
ITEM #	SIZE (")	COLOR	LGTH/FT	A (")	B (")	C (")	D (")	E (")	PCS/BNDL	WT/100
389612	2 × 3/8 × 1/4 @ 110 26 GA	White	10	2	3/8	1/4	110	110	10	198
390057	2 × 7/8 × 3/8 @ 110 28 GA	White	10	2	7/8	3/8	110	110	10	244
389948	2 × 1 × 3/8 @ 110	Galvanized	10	2	1	3/8	110	110	10	185
389949	2 × 1 × 3/8 @ 110	Brown	10	2	1	3/8	110	110	10	185
389950	2 × 1 × 3/8 @ 110	White	10	2	1	3/8	110	110	10	185
389938	2 × 1-1/8 × 3/8 @ 110	Galvanized	10	2	1-1/8	3/8	110	110	10	191
389939	2 × 1-1/8 × 3/8 @ 110	Brown	10	2	1-1/8	3/8	110	110	10	191
389940	2 × 1-1/8 × 3/8 @ 110	White	10	2	1-1/8	3/8	110	110	10	191
389958	2 × 1-1/4 × 3/8 @ 110	Galvanized	10	2	1-1/4	3/8	110	110	10	205
389959	2 × 1-1/4 × 3/8 @ 110	Brown	10	2	1-1/4	3/8	110	110	10	198
389960	2 × 1-1/4 × 3/8 @ 110	White	10	2	1-1/4	3/8	110	110	10	198
389968	2 × 1-1/2 × 3/8 @ 110	Galvanized	10	2	1-1/2	3/8	110	110	10	219
389969	2 × 1-1/2 × 3/8 @ 110	Brown	10	2	1-1/2	3/8	110	110	10	219
389970	2 × 1-1/2 × 3/8 @ 110	White	10	2	1-1/2	3/8	110	110	10	219
390058	2 × 2-1/2 × 3/8 @ 110 28 GA	White	10	2	1-1/2	3/8	110	110	10	350
389844	3 × 1 × 3/8 @ 110	Brown	10	3	1	3/8	110	110	10	232
389845	3 × 1 × 3/8 @ 110	White	10	3	1	3/8	110	110	10	232
389850	3 × 1-1/8 × 3/8 @ 110	White	10	3	1-1/8	3/8	110	110	10	246
389851	3 × 1-1/8 × 3/8 @ 110	Brown	10	3	1-1/8	3/8	110	110	10	246
389867	3 × 1-1/4 × 3/8 @ 110	Galvanized	10	3	1-1/4	3/8	110	110	10	246
389868	3 × 1-1/4 × 3/8 @ 110	Brown	10	3	1-1/4	3/8	110	110	10	246
389869	3 × 1-1/4 × 3/8 @ 110	White	10	3	1-1/4	3/8	110	110	10	246
389874	3 × 1-1/2 × 3/8 @ 110	Brown	10	3	1-1/2	3/8	110	110	10	260
389875	3 × 1-1/2 × 3/8 @ 110	White	10	3	1-1/2	3/8	110	110	10	267
389877	3 × 2-1/2 × 3/8 @ 110	Brown	10	3	2-1/2	3/8	110	110	10	328
389878	3 × 2-1/2 × 3/8 @ 110	White	10	3	2-1/2	3/8	110	110	10	321
389619	4 × 3/8 × 3/8 @ 110	Brown	10	4	3/8	3/8	110	110	10	260
389620	4 × 3/8 × 3/8 @ 110	White	10	4	3/8	3/8	110	110	10	260
389880	4 × 5/8 × 3/8 @ 110	White	10	4	5/8	3/8	110	110	10	273
389664	4 × 1 × 3/8 @ 110	Galvanized	10	4	1	3/8	110	110	10	287
389665	4 × 1 × 3/8 @ 110	Brown	10	4	1	3/8	110	110	10	287
389666	4 × 1 × 3/8 @ 110	White	10	4	1	3/8	110	110	10	287
389673	4 × 1-1/8 × 3/8 @ 110	Galvanized	10	4	1-1/8	3/8	110	110	10	301
389674	4 × 1-1/8 × 3/8 @ 110	Brown	10	4	1-1/8	3/8	110	110	10	301
389675	4 × 1-1/8 × 3/8 @ 110	White	10	4	1-1/8	3/8	110	110	10	301
389682	4 × 1-1/4 × 3/8 @ 110	Galvanized	10	4	1-1/4	3/8	110	110	10	308
389683	4 × 1-1/4 × 3/8 @ 110	Brown	10	4	1-1/4	3/8	110	110	10	308
389684	4 × 1-1/4 × 3/8 @ 110	White	10	4	1-1/4	3/8	110	110	10	308
389821	4 × 1-1/2 × 3/8 @ 110	Galvanized	10	4	1-1-2	3/8	110	110	10	328
389822	4 × 1-1/2 × 3/8 @ 110	Brown	10	4	1-1-2	3/8	110	110	10	328
389823	4 × 1-1/2 × 3/8 @ 110	White	10	4	1-1-2	3/8	110	110	10	328



- E.&O.E. - Subject to Change Without Notice - May Not Be Available At All Locations -

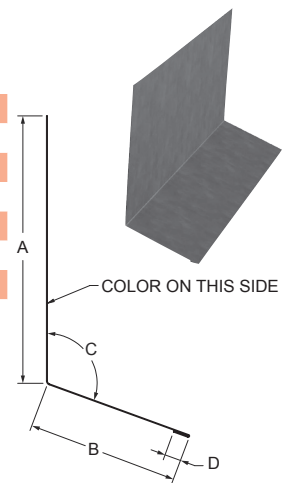
SLOPED Z METAL FLASHINGS WITH HEM

ITEM #	SIZE (")	COLOR	LGTH/FT	A (")	B (")	PCS/BNDL	WT/100
389838	3 × 1-1/2 × 1/2 @ 110	Brown	10	3	1-1/2	10	287
389839	3 × 2 × 1/2 @ 110	Brown	10	3	2	10	308
389840	4 × 2-1/4 × 1/2 @ 110	White	10	4	2-1/4	10	383



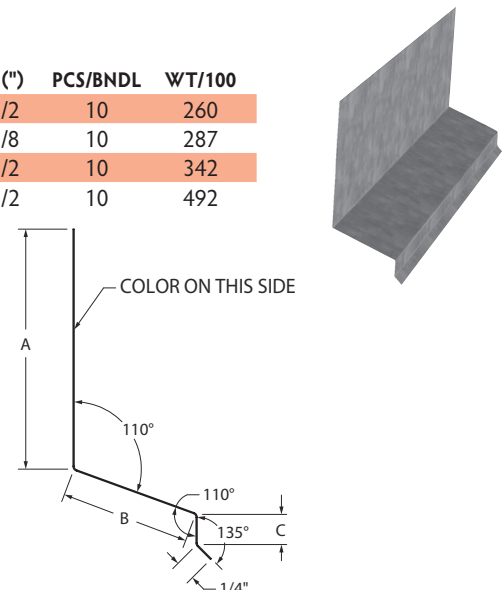
SIDING FLASHINGS WITH HEM

ITEM #	SIZE (")	COLOR	LGTH/FT	A (")	B (")	C (°)	D (")	PCS/BNDL	WT/100
381317	2 × 1-1/4 @ 100 28 GA	Brown	10	2	1-1/4	100	1/4	10	236
385502	3 × 1 @ 90	Brown	10	3	1	90	1/4	10	232
381967	3 × 2-1/4 @ 110	Brown	10	3	2-1/4	110	1/4	10	301
381302	3-3/4 × 1-1/2 @ 110	Brown	10	3-3/4	1-1/2	110	1/4	10	301
381957	4 × 2 @ 110	Brown	12	4	2	110	1/4	10	426
381312	4 × 2 × 3/8 @ 120	Brown	10	4	2	120	3/8	10	355
381962	4 × 2-1/4 @ 110	Brown	10	4	2-1/4	110	1/4	10	355
381963	4 × 2-1/4 @ 110	White	10	4	2-1/4	110	1/4	10	355



SIDING FLASHINGS WITH DRIP — NO HEM

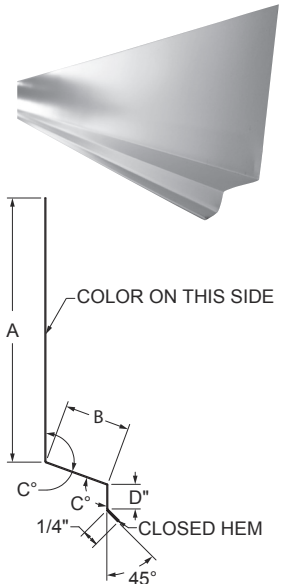
ITEM #	SIZE (")	COLOR	LGTH/FT	A (")	B (")	C (")	PCS/BNDL	WT/100
381326	3 × 1 × 1/2 @ 110° 1/4" DRP	White	10	3	1	1/2	10	260
381328	3 × 1-1/2 × 3/8 @ 110° 1/4" DRP	White	10	3	1-1/2	3/8	10	287
381330	3 × 2-1/2 × 1/2 @ 110° 1/4" DRP	White	10	3	2-1/2	1/2	10	342
381332	7 × 1-1/4 × 1/2 @ 110° 1/4" DRP	White	10	7	1-1/4	1/2	10	492



-E.&O.E. - Subject to Change Without Notice - May Not Be Available At All Locations -

SIDING FLASHINGS WITH DRIP AND HEM

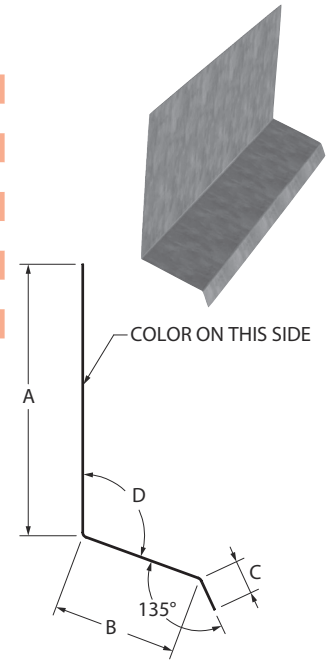
ITEM #	SIZE (")	COLOR	LGTH/FT	A (")	B (")	C (°)	D (")	PCS/BNDL	WT/100
390011	2 × 1 × 3/8	White	10	2	1	90	3/8	10	205
390012	2 × 1-1/8 × 3/8	White	10	2	1-1/8	90	3/8	10	219
390013	2 × 1-1/4 × 3/8	White	10	2	1-1/4	90	3/8	10	219
390014	2 × 1-1/2 × 3/8	White	10	2	1-1/2	90	3/8	10	232
390019	3 × 1 × 3/8	White	10	3	1	90	3/8	10	260
390020	3 × 1-1/8 × 3/8	White	10	3	1-1/8	90	3/8	10	273
390021	3 × 1-1/4 × 3/8	White	10	3	1-1/4	90	3/8	10	273
390022	3 × 1-1/2 × 3/8	White	10	3	1-1/2	90	3/8	10	287
390026	4 × 3/4 × 3/4	White	10	4	3/4	90	3/4	10	328
390027	4 × 1 × 3/8	White	10	4	1	90	3/8	10	328
390028	4 × 1-1/8 × 3/8	White	10	4	1-1/8	90	3/8	10	328
390029	4 × 1-1/4 × 3/8	White	10	4	1-1/4	90	3/8	10	328
390030	4 × 1-1/2 × 3/8	White	10	4	1-1/2	90	3/8	10	342
390035	2 × 1 × 3/8	White	10	2	1	100	3/8	10	205
390036	2 × 1-1/8 × 3/8	White	10	2	1-1/8	100	3/8	10	219
390037	2 × 1-1/4 × 3/8	White	10	2	1-1/4	100	3/8	10	219
390038	2 × 1-1/2 × 3/8	White	10	2	1-1/2	100	3/8	10	232
390043	3 × 1 × 3/8	White	10	3	1	100	3/8	10	260
390044	3 × 1-1/8 × 3/8	White	10	3	1-1/8	100	3/8	10	273
390045	3 × 1-1/4 × 3/8	White	10	3	1-1/4	100	3/8	10	273
390046	3 × 1-1/2 × 3/8	White	10	3	1-1/2	100	3/8	10	287
390051	4 × 1 × 3/8	White	10	4	1	100	3/8	10	328
390052	4 × 1-1/8 × 3/8	White	10	4	1-1/8	100	3/8	10	328
390053	4 × 1-1/4 × 3/8	White	10	4	1-1/4	100	3/8	10	328
390054	4 × 1-1/2 × 3/8	White	10	4	1-1/2	100	3/8	10	342
390059	2 × 1 × 3/8	White	10	2	1	110	3/8	10	205
390060	2 × 1-1/8 × 3/8	White	10	2	1-1/8	110	3/8	10	219
390061	2 × 1-1/4 × 3/8	White	10	2	1-1/4	110	3/8	10	219
390062	2 × 1-1/2 × 3/8	White	10	2	1-1/2	110	3/8	10	232
389979	3 × 1 × 3/8	White	10	3-1/8	1	110	3/8	10	267
390067	3 × 1-1/8 × 3/8	White	10	3	1-1/8	110	3/8	10	273
390068	3 × 1-1/4 × 3/8	White	10	3	1-1/4	110	3/8	10	273
389983	3 × 1-1/2 × 3/8	White	10	2-7/8	1-1/2	110	3/8	10	294
389985	3 × 2 × 3/8	White	10	3	2	110	3/8	10	328
389987	3 × 2-1/2 × 3/8	White	10	3	2-1/2	110	3/8	10	348
389980	4 × 1 × 3/8	White	10	4-1/8	1	110	3/8	10	328
390073	4 × 1-1/8 × 3/8	White	10	4	1-1/8	110	3/8	10	328
389981	4 × 1-1/4 × 3/8	White	10	3-7/8	1-1/4	110	3/8	10	328
389982	4 × 1-1/2 × 3/8	White	10	3-7/8	1-1/2	110	3/8	10	342
389986	4 × 2-1/2 × 3/8	White	10	4	2-1/2	110	3/8	10	437



- E.&O.E. - Subject to Change Without Notice - May Not Be Available At All Locations -

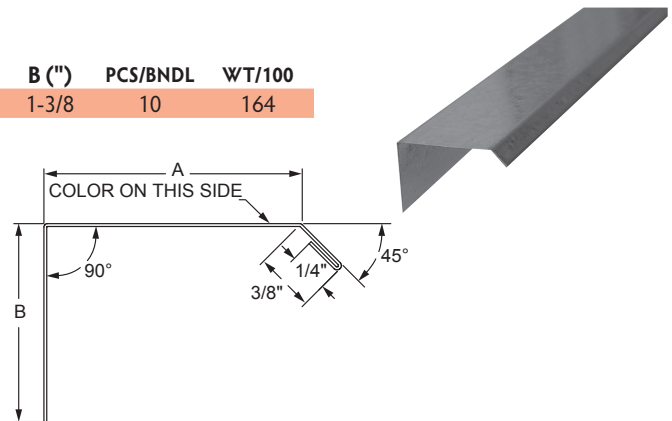
WINDOW FLASHINGS — NO HEM

ITEM #	SIZE (")	COLOR	LGTH/FT	A (")	B (")	C (")	PCS/BNDL	WT/100
381242	2 × 1-1/8 @ 100° 1/4" DRP 28GA	Brown	10	2	1-1/8	1/4	10	220
381241	2 × 1-1/8 @ 100° 1/4" DRP 28GA	White	10	2	1-1/8	1/4	10	220
381323	3 × 1-3/8 @ 110° 3/8" DRP	White	10	3	1-3/8	3/8	10	260
381325	3 × 1-1/2 × @ 110° 1/4" DRP	Brown	10	3	1-1/2	1/4	10	260
381243	2 × 1-1/2 @ 100° 1/4" DRP 28GA	White	10	2	1-1/2	1/4	10	244
389182	2 × 1-1/2 @ 100° 3/8" DRP	Brown	10	2	1-1/2	3/8	10	219
381321	1-1/2 × 1-1/4 @ 90° 5/8 DRP 26GA	White	10	1-1/2	1-1/4	5/8	10	264
389183	2 × 1-1/2 @ 100° 3/8" DRP	White	10	2	1-1/2	3/8	10	219
381322	2 × 3/4 @ 90° 1/4" DRP	Brown	10	2	3/4	1/4	10	164



REVERSE FLASHINGS — NO SAFETY

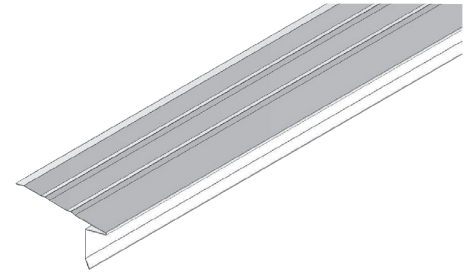
ITEM #	SIZE (")	COLOR	LGTH/FT	A (")	B (")	PCS/BNDL	WT/100
381333	1-1/4 × 1-3/8 @ 90 3/8" DRP	White	10	1-1/4	1-3/8	10	164



– E.&O.E. – Subject to Change Without Notice – May Not Be Available At All Locations –

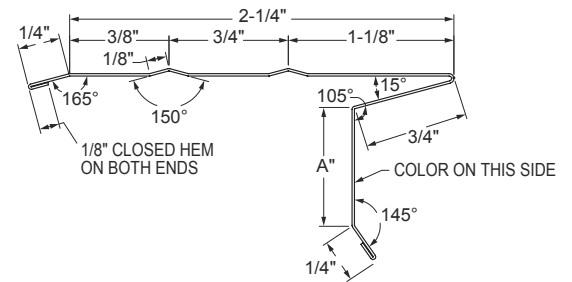
EDGE FLASHINGS — D

ITEM #	SIZE (")	COLOR	LGTH/FT	A (")	PCS/BNDL	WT/100
381401	3/4	Galvanized	10	3/4	20	246
381402	3/4	Brown	10	3/4	20	246
381403	3/4	White	10	3/4	20	246
381404	3/4	Black	10	3/4	20	246
381405	3/4	Grey	10	3/4	20	246
381411	1-3/4	Galvanized	10	1-3/4	10	301
381412	1-3/4	Brown	10	1-3/4	10	301
381413	1-3/4	White	10	1-3/4	10	301
381414	1-3/4	Black	10	1-3/4	10	301
381415	1-3/4	Grey	10	1-3/4	10	301



28 GAUGE

ITEM #	SIZE (")	COLOR	LGTH/FT	A (")	PCS/BNDL	WT/100
381421	3/4	Galvanized	10	3/4	10	293
381422	3/4	Brown	10	3/4	10	293
381423	3/4	White	10	3/4	10	293
381424	3/4	Black	10	3/4	10	293
381425	3/4	Grey	10	3/4	10	293
381431	1-3/4	Galvanized	10	1-3/4	10	358
381432	1-3/4	Brown	10	1-3/4	10	358
381433	1-3/4	White	10	1-3/4	10	358
381434	1-3/4	Black	10	1-3/4	10	358
381435	1-3/4	Grey	10	1-3/4	10	358



26 GAUGE

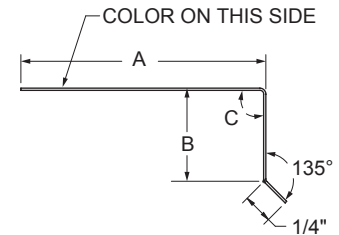
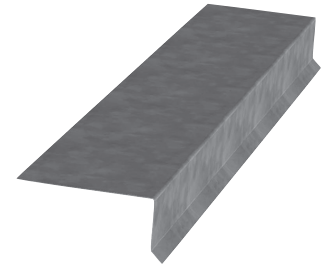
ITEM #	SIZE (")	COLOR	LGTH/FT	A (")	PCS/BNDL	WT/100
381441	3/4	Galvanized	10	3/4	10	340
381442	3/4	Brown	10	3/4	10	340
381443	3/4	White	10	3/4	10	340
381444	3/4	Black	10	3/4	10	340
381445	3/4	Grey	10	3/4	10	340
381451	1-3/4	Galvanized	10	1-3/4	10	415
381452	1-3/4	Brown	10	1-3/4	10	415
381453	1-3/4	White	10	1-3/4	10	415
381454	1-3/4	Black	10	1-3/4	10	415
381455	1-3/4	Grey	10	1-3/4	10	415

- E.&O.E. - Subject to Change Without Notice - May Not Be Available At All Locations -

EDGE FLASHINGS — "G" DRIP

90°

ITEM #	SIZE (")	COLOR	LGTH/FT	A (")	B (")	C	PCS/BNDL	WT/100
381001	1-3/8	Galvanized	10	1-3/8	1-3/8	90°	20	164
381002	1-3/8	Brown	10	1-3/8	1-3/8	90°	20	164
381003	1-3/8	White	10	1-3/8	1-3/8	90°	20	164
381004	1-3/8	Black	10	1-3/8	1-3/8	90°	20	164
381005	1-3/8	Grey	10	1-3/8	1-3/8	90°	20	164
381140	1-3/8	Stainless Steel	10	1-3/8	1-3/8	90°	20	175
381167	2 x 3/4	Brown	10	2	3/4	90°	10	164
381006	2 x 2	Galvanized	10	2	2	90°	10	232
381007	2 x 2	Brown	10	2	2	90°	10	232
381008	2 x 2	White	10	2	2	90°	10	232
381009	2 x 2	Black	10	2	2	90°	10	232
381010	2 x 2	Grey	10	2	2	90°	10	232
381011	2 x 3	Galvanized	10	2	3	90°	10	287
381012	2 x 3	Brown	10	2	3	90°	10	287
381013	2 x 3	White	10	2	3	90°	10	287
381014	2 x 3	Black	10	2	3	90°	10	287
381015	2 x 3	Grey	10	2	3	90°	10	287
381016	3 x 2	Galvanized	10	3	2	90°	10	287
381017	3 x 2	Brown	10	3	2	90°	10	287
381018	3 x 2	White	10	3	2	90°	10	287
381019	3 x 2	Black	10	3	2	90°	10	287
381020	3 x 2	Grey	10	3	2	90°	10	287
381021	3 x 3	Galvanized	10	3	3	90°	10	342
381022	3 x 3	Brown	10	3	3	90°	10	342
381023	3 x 3	White	10	3	3	90°	10	342
381024	3 x 3	Black	10	3	3	90°	10	342
381025	3 x 3	Grey	10	3	3	90°	10	342
381046	4 x 4	Galvanized	10	4	4	90°	10	537
381047	4 x 4	Brown	10	4	4	90°	10	537
381048	4 x 4	White	10	4	4	90°	10	537
381049	4 x 4	Black	10	4	4	90°	10	537
381050	4 x 4	Grey	10	4	4	90°	10	537



5/12 PITCH

ITEM #	SIZE (")	COLOR	LGTH/FT	A (")	B (")	C	PCS/BNDL	WT/100
381051	1-3/8	Galvanized	10	1-3/8	1-3/8	5/12	20	164
381052	1-3/8	Brown	10	1-3/8	1-3/8	5/12	20	164
381053	1-3/8	White	10	1-3/8	1-3/8	5/12	20	164
381054	1-3/8	Black	10	1-3/8	1-3/8	5/12	20	164
381055	1-3/8	Grey	10	1-3/8	1-3/8	5/12	20	164
381026	2 x 2	Galvanized	10	2	2	5/12	10	232
381027	2 x 2	Brown	10	2	2	5/12	10	232
381028	2 x 2	White	10	2	2	5/12	10	232
381029	2 x 2	Black	10	2	2	5/12	10	232
381030	2 x 2	Grey	10	2	2	5/12	10	232
381031	2 x 3	Galvanized	10	2	3	5/12	10	287
381032	2 x 3	Brown	10	2	3	5/12	10	287
381033	2 x 3	White	10	2	3	5/12	10	287
381034	2 x 3	Black	10	2	3	5/12	10	287
381035	2 x 3	Grey	10	2	3	5/12	10	287
381036	3 x 2	Galvanized	10	3	2	5/12	10	287
381037	3 x 2	Brown	10	3	2	5/12	10	287
381038	3 x 2	White	10	3	2	5/12	10	287
381039	3 x 2	Black	10	3	2	5/12	10	287
381040	3 x 2	Grey	10	3	2	5/12	10	287
381041	3 x 3	Galvanized	10	3	3	5/12	10	342

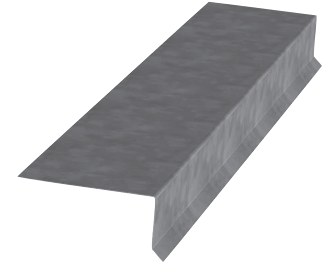
(cont'd on next page)

- E.&O.E. - Subject to Change Without Notice - May Not Be Available At All Locations -

EDGE FLASHINGS — "G" DRIP (cont'd)

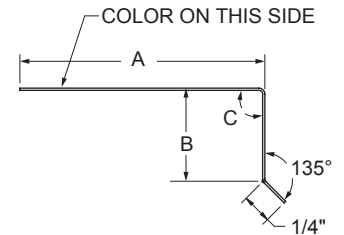
5/12 PITCH (cont'd)

ITEM #	SIZE (")	COLOR	LGTH/FT	A (")	B (")	C	PCS/BNDL	WT/100
381042	3 x 3	Brown	10	3	3	5/12	10	342
381043	3 x 3	White	10	3	3	5/12	10	342
381044	3 x 3	Black	10	3	3	5/12	10	342
381045	3 x 3	Grey	10	3	3	5/12	10	342
381056	4 x 4	Galvanized	10	4	4	5/12	10	537
381057	4 x 4	Brown	10	4	4	5/12	10	537
381058	4 x 4	White	10	4	4	5/12	10	537
381059	4 x 4	Black	10	4	4	5/12	10	537
381060	4 x 4	Grey	10	4	4	5/12	10	537
381062	3 x 1-1/8	Brown	10	3	1-1/8	5/12	20	232
381063	3 x 1-1/8	White	10	3	1-1/8	5/12	20	232
381162	3 x 1-3/8	Brown	10	3	1-3/8	5/12	20	253
381163	3 x 1-3/8	White	10	3	1-3/8	5/12	20	253
381164	3 x 1-3/8	Black	10	3	1-3/8	5/12	20	253
381165	3 x 1-3/8	Grey	10	3	1-3/8	5/12	20	253



26 GAUGE — 90°

ITEM #	SIZE (")	COLOR	LGTH/FT	A (")	B (")	C	PCS/BNDL	WT/100
381066	1-3/8	Galvanized	10	1-3/8	1-3/8	90°	20	227
381067	1-3/8	Brown	10	1-3/8	1-3/8	90°	20	227
381068	1-3/8	White	10	1-3/8	1-3/8	90°	20	227
381069	1-3/8	Black	10	1-3/8	1-3/8	90°	20	227
381070	1-3/8	Grey	10	1-3/8	1-3/8	90°	20	227
381071	2 x 2	Galvanized	10	2	2	90°	10	321
381072	2 x 2	Brown	10	2	2	90°	10	321
381073	2 x 2	White	10	2	2	90°	10	321
381074	2 x 2	Black	10	2	2	90°	10	321
381075	2 x 2	Grey	10	2	2	90°	10	321
381076	2 x 3	Galvanized	10	2	3	90°	10	396
381077	2 x 3	Brown	10	2	3	90°	10	396
381078	2 x 3	White	10	2	3	90°	10	396
381079	2 x 3	Black	10	2	3	90°	10	396
381080	2 x 3	Grey	10	2	3	90°	10	396
381081	3 x 2	Galvanized	10	3	2	90°	10	396
381082	3 x 2	Brown	10	3	2	90°	10	396
381083	3 x 2	White	10	3	2	90°	10	396
381084	3 x 2	Black	10	3	2	90°	10	396
381085	3 x 2	Grey	10	3	2	90°	10	396
381086	3 x 3	Galvanized	10	3	3	90°	10	472
381087	3 x 3	Brown	10	3	3	90°	10	472
381088	3 x 3	White	10	3	3	90°	10	472
381089	3 x 3	Black	10	3	3	90°	10	472
381090	3 x 3	Grey	10	3	3	90°	10	472
381091	4 x 4	Galvanized	10	4	4	90°	10	623
381092	4 x 4	Brown	10	4	4	90°	10	623
381093	4 x 4	White	10	4	4	90°	10	623
381094	4 x 4	Black	10	4	4	90°	10	623
381095	4 x 4	Grey	10	4	4	90°	10	623



5/12 PITCH

ITEM #	SIZE (")	COLOR	LGTH/FT	A (")	B (")	C	PCS/BNDL	WT/100
381096	1-3/8	Galvanized	10	1-3/8	1-3/8	5/12	10	227
381097	1-3/8	Brown	10	1-3/8	1-3/8	5/12	10	227
381098	1-3/8	White	10	1-3/8	1-3/8	5/12	10	227
381099	1-3/8	Black	10	1-3/8	1-3/8	5/12	10	227

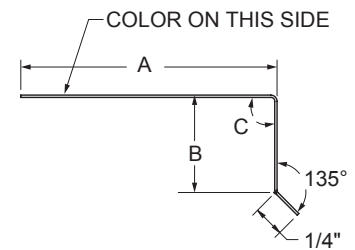
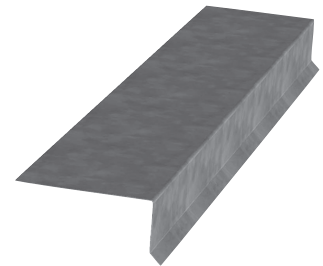
(cont'd on next page)

— E.&O.E. — Subject to Change Without Notice — May Not Be Available At All Locations —

EDGE FLASHINGS — "G" DRIP (cont'd)

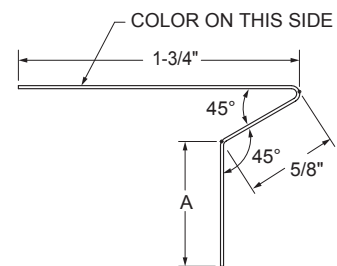
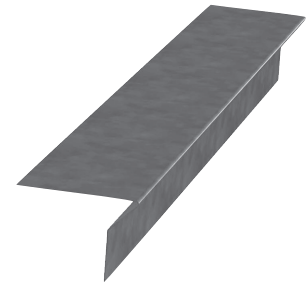
26 GAUGE — 5/12 PITCH (cont'd)

ITEM #	SIZE (")	COLOR	LGTH/FT	A (")	B (")	C	PCS/BNDL	WT/100
381100	1-3/8	Grey	10	1-3/8	1-3/8	5/12	10	227
381106	2 x 2	Galvanized	10	2	2	5/12	10	321
381107	2 x 2	Brown	10	2	2	5/12	10	321
381108	2 x 2	White	10	2	2	5/12	10	321
381109	2 x 2	Black	10	2	2	5/12	10	321
381110	2 x 2	Grey	10	2	2	5/12	10	321
381111	2 x 3	Galvanized	10	2	3	5/12	10	396
381112	2 x 3	Brown	10	2	3	5/12	10	396
381113	2 x 3	White	10	2	3	5/12	10	396
381114	2 x 3	Black	10	2	3	5/12	10	396
381115	2 x 3	Grey	10	2	3	5/12	10	396
381116	3 x 2	Galvanized	10	3	2	5/12	10	396
381117	3 x 2	Brown	10	3	2	5/12	10	396
381118	3 x 2	White	10	3	2	5/12	10	396
381119	3 x 2	Black	10	3	2	5/12	10	396
381120	3 x 2	Grey	10	3	2	5/12	10	396
381126	3 x 3	Galvanized	10	3	3	5/12	10	472
381127	3 x 3	Brown	10	3	3	5/12	10	472
381128	3 x 3	White	10	3	3	5/12	10	472
381129	3 x 3	Black	10	3	3	5/12	10	472
381130	3 x 3	Grey	10	3	3	5/12	10	472
381131	4 x 4	Galvanized	10	4	4	5/12	10	623
381132	4 x 4	Brown	10	4	4	5/12	10	623
381133	4 x 4	White	10	4	4	5/12	10	623
381134	4 x 4	Black	10	4	4	5/12	10	623
381135	4 x 4	Grey	10	4	4	5/12	10	623



EDGE FLASHINGS — T METAL

ITEM #	SIZE (")	COLOR	LGTH/FT	A (")	PCS/BNDL	WT/100
380670	3/4	Galvanized	10	3/4	10	164
380672	3/4	Brown	10	3/4	10	164
380673	3/4	White	10	3/4	10	164
380674	3/4	Black	10	3/4	10	164
380675	3/4	Grey	10	3/4	10	164



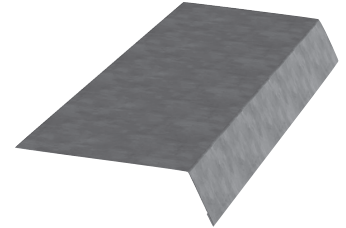
26 GAUGE

ITEM #	SIZE (")	COLOR	LGTH/FT	A (")	PCS/BNDL	WT/100
380681	3/4	Galvanized	10	3/4	10	227
380682	3/4	Brown	10	3/4	10	227
380683	3/4	White	10	3/4	10	227
380684	3/4	Black	10	3/4	10	227
380685	3/4	Grey	10	3/4	10	227
380686	1-1/4	Galvanized	10	1-1/4	10	264
380687	1-1/4	Brown	10	1-1/4	10	264
380688	1-1/4	White	10	1-1/4	10	264
380689	1-1/4	Black	10	1-1/4	10	264
380690	1-1/4	Grey	10	1-1/4	10	264
380691	1-5/8	Galvanized	10	1-5/8	10	302
380692	1-5/8	Brown	10	1-5/8	10	302
380693	1-5/8	White	10	1-5/8	10	302
380694	1-5/8	Black	10	1-5/8	10	302
380695	1-5/8	Grey	10	1-5/8	10	302

- E.&O.E. - Subject to Change Without Notice - May Not Be Available At All Locations -

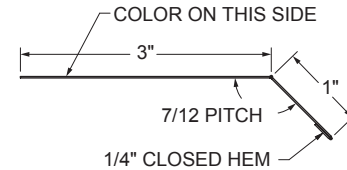
EDGE FLASHINGS — ROOF STARTER

ITEM #	SIZE (")	COLOR	LGTH/FT	PCS/BNDL	WT/100
380651	3 × 1	Galvanized	10	10	232
380652	3 × 1	Brown	10	10	232
380653	3 × 1	White	10	10	232
380654	3 × 1	Black	10	10	232
380655	3 × 1	Grey	10	10	232



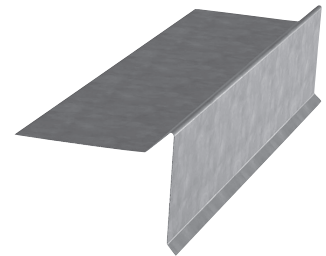
26 GAUGE

ITEM #	SIZE (")	COLOR	LGTH/FT	PCS/BNDL	WT/100
380661	3 × 1	Galvanized	10	10	321
380662	3 × 1	Brown	10	10	321
380663	3 × 1	White	10	10	321
380664	3 × 1	Black	10	10	321
380666	3 × 1	Grey	10	10	321



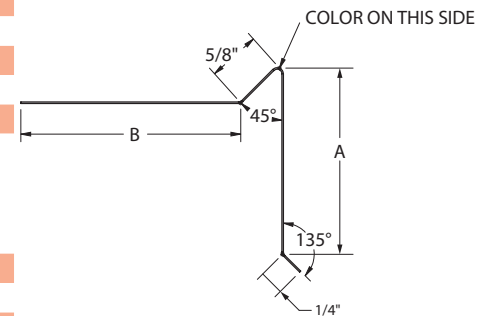
GRAVEL STOP FLASHINGS

ITEM #	SIZE (")	COLOR	LGTH/FT	A (")	B (")	PCS/BNDL	WT/100
380901	2-1/4	Galvanized	10	2	2-3/8	10	287
380902	2-1/4	Brown	10	2	2-3/8	10	287
380903	2-1/4	White	10	2	2-3/8	10	287
388004	2-1/4	Black	10	2	2-3/8	10	287
388005	2-1/4	Grey	10	2	2-3/8	10	287



28 GAUGE

ITEM #	SIZE (")	COLOR	LGTH/FT	A (")	B (")	PCS/BNDL	WT/100
388051	3	Galvanized	10	3	2-1/8	10	391
388052	3	Brown	10	3	2-1/8	10	391
388053	3	White	10	3	2-1/8	10	391
388054	3	Black	10	3	2-1/8	10	391
388055	3	Grey	10	3	2-1/8	10	391
388056	4	Galvanized	10	4	2-1/8	10	456
388057	4	Brown	10	4	2-1/8	10	456
388058	4	White	10	4	2-1/8	10	456
388059	4	Black	10	4	2-1/8	10	456
388060	4	Grey	10	4	2-1/8	10	456



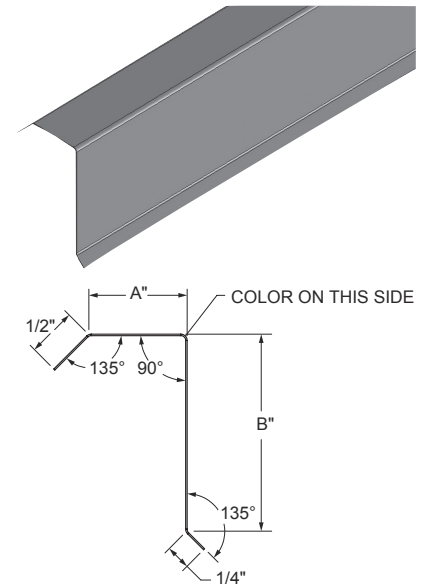
26 GAUGE

ITEM #	SIZE (")	COLOR	LGTH/FT	A (")	B (")	PCS/BNDL	WT/100
388101	2-1/4	Galvanized	10	2	2-3/8	10	396
388102	2-1/4	Brown	10	2	2-3/8	10	396
388103	2-1/4	White	10	2	2-3/8	10	396
388104	2-1/4	Black	10	2	2-3/8	10	396
388105	2-1/4	Grey	10	2	2-3/8	10	396
388151	3	Galvanized	10	3	2-1/8	10	453
388152	3	Brown	10	3	2-1/8	10	453
388153	3	White	10	3	2-1/8	10	453
388154	3	Black	10	3	2-1/8	10	453
388155	3	Grey	10	3	2-1/8	10	453
388156	4	Galvanized	10	4	2-1/8	5	529
388157	4	Brown	10	4	2-1/8	5	529
388158	4	White	10	4	2-1/8	5	529
388159	4	Black	10	4	2-1/8	5	529
388160	4	Grey	10	4	2-1/8	5	529

– E.&O.E. – Subject to Change Without Notice – May Not Be Available At All Locations –

FASCIA CAP FLASHINGS

ITEM #	SIZE (")	COLOR	LGTH/FT	A (")	B (")	PCS/BNDL	WT/100
389501	1	Galvanized	10	1	2	10	205
389502	1	Brown	10	1	2-1/4	10	219
389503	1	White	10	1	2	10	205
389504	1	Black	10	1	2-1/4	10	219
389505	1	Grey	10	1	2	10	219
389511	1-1/2	Galvanized	10	1-1/2	2	10	232
389512	1-1/2	Brown	10	1-1/2	2	10	232
389513	1-1/2	White	10	1-1/2	2	10	232
389514	1-1/2	Black	10	1-1/2	2	10	232
389515	1-1/2	Grey	10	1-1/2	2	10	232
389521	2	Galvanized	10	2	2	10	260
389522	2	Brown	10	2	2-1/4	10	273
389523	2	White	10	2	2	10	260
389524	2	Black	10	2	2-1/4	10	273
389525	2	Grey	10	2	2-1/4	10	273
389531	3	Galvanized	10	3	2-1/4	10	328
389532	3	Brown	10	3	2-1/4	10	328
389533	3	White	10	3	2-1/4	10	328
389534	3	Black	10	3	2-1/4	10	328
389535	3	Grey	10	3	2-1/4	10	328



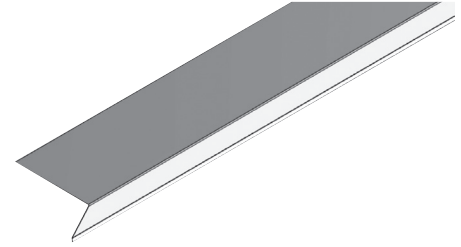
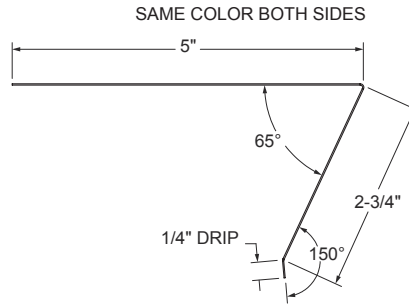
26 GAUGE

ITEM #	SIZE (")	COLOR	LGTH/FT	A (")	B (")	PCS/BNDL	WT/100
389551	1	Galvanized	10	1	2-1/4	10	302
389552	1	Brown	10	1	2-1/4	10	302
389553	1	White	10	1	2-1/4	10	302
389554	1	Black	10	1	2-1/4	10	302
389555	1	Grey	10	1	2-1/4	10	302
389561	1-1/2	Galvanized	10	1-1/2	2	10	321
389562	1-1/2	Brown	10	1-1/2	2	10	321
389563	1-1/2	White	10	1-1/2	2	10	321
389564	1-1/2	Black	10	1-1/2	2	10	321
389565	1-1/2	Grey	10	1-1/2	2	10	321
389571	2	Galvanized	10	2	2-1/4	10	378
389572	2	Brown	10	2	2-1/4	10	378
389573	2	White	10	2	2-1/4	10	378
389574	2	Black	10	2	2-1/4	10	378
389575	2	Grey	10	2	2-1/4	10	378
389581	3	Galvanized	10	3	2-1/4	10	453
389582	3	Brown	10	3	2-1/4	10	453
389583	3	White	10	3	2-1/4	10	453
389584	3	Black	10	3	2-1/4	10	453
389585	3	Grey	10	3	2-1/4	10	453

- E.&O.E. - Subject to Change Without Notice - May Not Be Available At All Locations -

CLERESTORY FLASHINGS

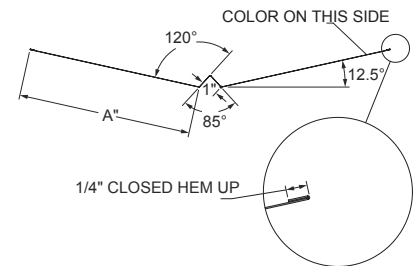
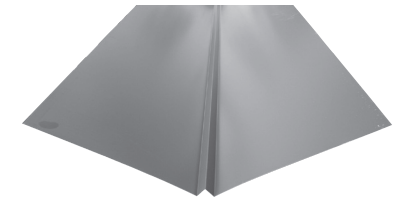
ITEM #	SIZE (")	COLOR	LGTH/FT	PCS/BNDL	WT/100
380582	5 × 3 × 1/4	Brown	10	10	520
380584	5 × 3 × 1/4	Black	10	10	520



W-VALLEY FLASHINGS

28 GAUGE

ITEM #	SIZE (")	COLOR	GA	LGTH/FT	A (")	PCS/BNDL	WT/100
380461	18	Galvanized	28	10	8	5	1172
380462	18	Brown	28	10	8	5	1172
380463	18	White	28	10	8	5	1172
380464	18	Black	28	10	8	5	1172
380465	18	Grey	28	10	8	5	1172
380446	24	Galvanized	28	10	11	5	1562
380447	24	Brown	28	10	11	5	1562
380448	24	White	28	10	11	5	1562
380449	24	Black	28	10	11	5	1562
380450	24	Grey	28	10	11	5	1562



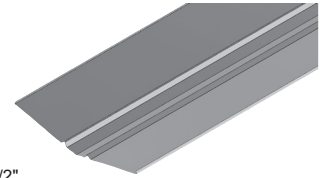
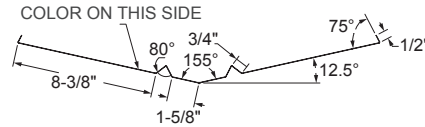
26 GAUGE

ITEM #	SIZE (")	COLOR	GA	LGTH/FT	A (")	PCS/BNDL	WT/100
380471	18	Galvanized	26	10	8	5	1359
380472	18	Brown	26	10	8	5	1359
380473	18	White	26	10	8	5	1359
380474	18	Black	26	10	8	5	1359
380475	18	Grey	26	10	8	5	1359
380451	24	Galvanized	26	10	11	5	1812
380452	24	Brown	26	10	11	5	1812
380453	24	White	26	10	11	5	1812
380454	24	Black	26	10	11	5	1812
380455	24	Grey	26	10	11	5	1812

- E.&O.E. - Subject to Change Without Notice - May Not Be Available At All Locations -

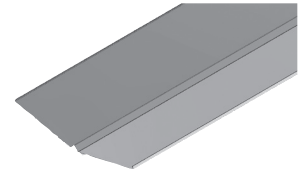
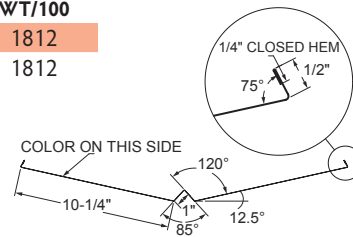
OPEN TILE FLASHINGS

ITEM #	SIZE (")	COLOR	GA	LGTH/FT	PCS/BNDL	WT/100
380502	24	Brown	26	10	5	1812
380504	24	Black	26	10	5	1812



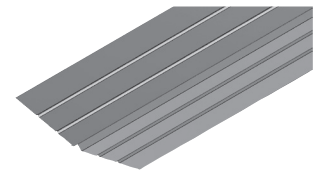
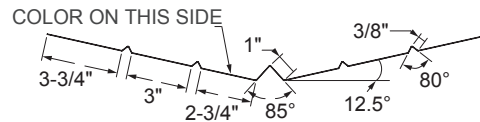
CLOSED TILE FLASHINGS

ITEM #	SIZE (")	COLOR	GA	LGTH/FT	PCS/BNDL	WT/100
380512	24	Brown	26	10	5	1812
380514	24	Black	26	10	5	1812



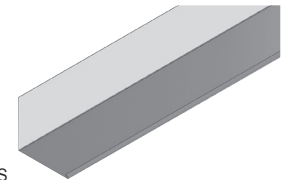
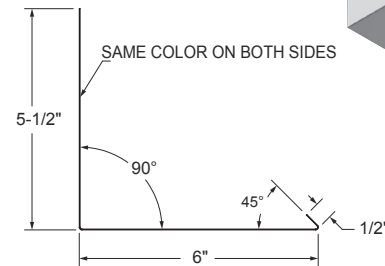
T-VALLEY FLASHINGS — 5 RIB

ITEM #	SIZE (")	COLOR	GA	LGTH/FT	PCS/BNDL	WT/100
380552	24	Brown	26	10	5	1812
380554	24	Black	26	10	5	1812



J TILE FLASHINGS

ITEM #	SIZE (")	COLOR	GA	LGTH/FT	PCS/BNDL	WT/100
380562	5 × 6 × 1/2	Brown	28	10	5	781
380564	5 × 6 × 1/2	Black	28	10	5	781

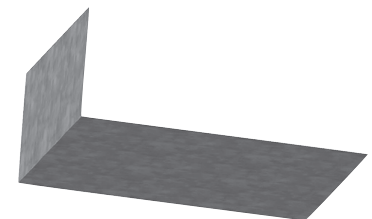
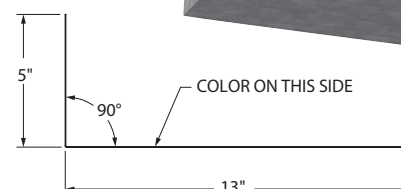


FIREPLACE FLASHINGS

ITEM #	SIZE (")	COLOR	GA	LGTH/FT	PCS/BNDL	WT/100
381776	5 × 13	Brown	28	10	5	1172
381779	5 × 13	Black	28	10	5	1172

26 GAUGE

ITEM #	SIZE (")	COLOR	GA	LGTH/FT	PCS/BNDL	WT/100
381781	5 × 13	Brown	26	10	5	1359
381784	5 × 13	Black	26	10	5	1359

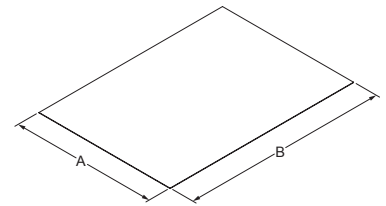
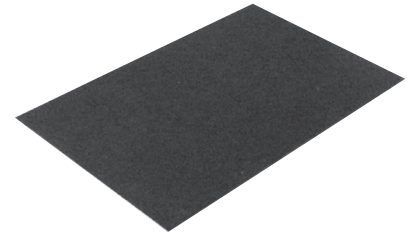


-E.&O.E. - Subject to Change Without Notice - May Not Be Available At All Locations -

FLAT SHINGLES

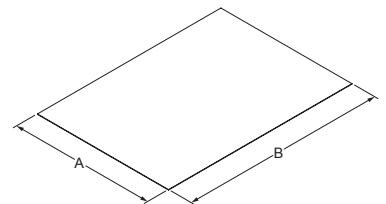
STANDARD GAUGE

ITEM #	SIZE (")	COLOR	A (")	B (")	PCS/BNDL	WT/100
382621	5 x 7	Galvanized	5	7	100	16
382622	5 x 7	Brown/Black	5	7	100	16
382623	5 x 7	Grey	5	7	100	16
382625	5 x 8	Galvanized	5	8	100	19
382626	5 x 8	Brown/Black	5	8	100	19
382627	5 x 8	Grey	5	8	100	18
382631	5 x 10	Galvanized	5	10	50	23
382632	5 x 10	Brown/Black	5	10	50	23
382633	5 x 10	Grey	5	10	50	23
382635	8 x 8	Galvanized	8	8	50	29
382636	8 x 8	Brown/Black	8	8	50	29
382637	8 x 8	Grey	8	8	50	29
382641	8 x 10	Galvanized	8	10	50	36
382642	8 x 10	Brown/Black	8	10	50	36
382643	8 x 10	Grey	8	10	50	36
382645	8 x 12	Galvanized	8	12	50	44
382646	8 x 12	Brown/Black	8	12	50	47
382647	8 x 12	Grey	8	12	50	44
382651	8 x 14	Galvanized	8	14	50	51
382652	8 x 14	Brown/Black	8	14	50	54
382653	8 x 14	Grey	8	14	50	44



26 GAUGE

ITEM #	SIZE (")	COLOR	A (")	B (")	PCS/BNDL	WT/100
382661	5 x 7	Galvanized	5	7	100	22
382662	5 x 7	Brown/Black	5	7	100	22
382663	5 x 7	Grey	5	7	100	22
382665	5 x 8	Galvanized	5	8	100	25
382666	5 x 8	Brown/Black	5	8	100	25
382727	5 x 8	Grey	5	8	100	25
382671	5 x 10	Galvanized	5	10	50	31
382672	5 x 10	Brown/Black	5	10	50	31
382673	5 x 10	Grey	5	10	50	31
382675	8 x 8	Galvanized	8	8	50	40
382676	8 x 8	Brown/Black	8	8	50	40
382677	8 x 8	Brown/Black	8	8	100	40
382737	8 x 8	Grey	8	8	100	40
382681	8 x 10	Galvanized	8	10	50	50
382682	8 x 10	Brown/Black	8	10	50	50
382683	8 x 10	Grey	8	10	50	50
382685	8 x 12	Galvanized	8	12	50	60
382686	8 x 12	Brown/Black	8	12	50	60
382747	8 x 12	Grey	8	12	50	60
382691	8 x 14	Galvanized	8	14	50	70
382692	8 x 14	Brown/Black	8	14	50	70
382693	8 x 14	Grey	8	14	50	70

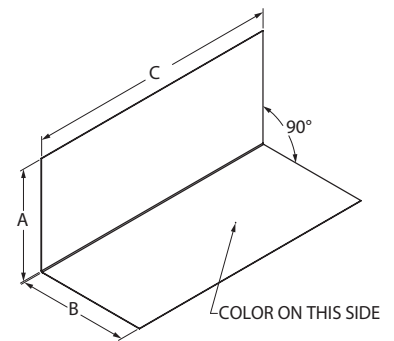


- E.&O.E. - Subject to Change Without Notice - May Not Be Available At All Locations -

STEP FLASHINGS

STANDARD GAUGE

ITEM #	SIZE (")	COLOR	A (")	B (")	C (")	PCS/BNDL	WT/100
384501	3 x 5 - 8	Galvanized	3	5	8	50	29
384502	3 x 5 - 8	Brown	3	5	8	50	29
384505	3 x 5 - 8	White	3	5	8	50	29
384504	3 x 5 - 8	Black	3	5	8	50	29
384503	3 x 5 - 8	Grey	3	5	8	50	29
384521	4 x 4 - 8	Galvanized	4	4	8	50	29
384522	4 x 4 - 8	Brown	4	4	8	50	29
384523	4 x 4 - 8	White	4	4	8	50	29
384524	4 x 4 - 8	Black	4	4	8	50	29
384531	4 x 4 - 12	Galvanized	4	4	12	50	44
384532	4 x 4 - 12	Brown	4	4	12	50	44
384533	4 x 4 - 12	White	4	4	12	50	44
384534	4 x 4 - 12	Black	4	4	12	50	44
384535	4 x 4 - 12	Grey	4	4	12	50	44
384680	4 x 4 - 12	Stainless Steel	4	4	12	50	44
384542	4 x 4 - 14	Brown	4	4	14	50	54
384544	4 x 4 - 14	Black	4	4	14	50	54
384552	4 x 4 - 17	Brown	4	4	17	50	66
384554	4 x 4 - 17	Black	4	4	17	50	66
384558	5 x 5 - 7	Black	5	5	7	50	32
384562	5 x 5 - 8	Brown	5	5	8	50	39
384564	5 x 5 - 8	Black	5	5	8	50	39



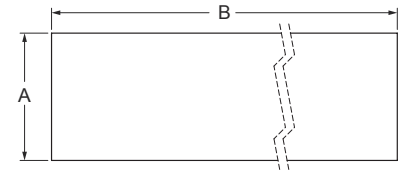
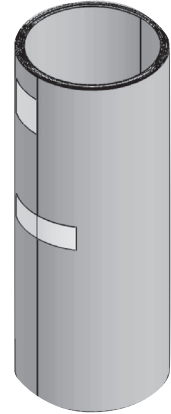
26 GAUGE

ITEM #	SIZE (")	COLOR	A (")	B (")	C (")	PCS/BNDL	WT/100
384622	4 x 4 - 8	Brown	4	4	8	50	40
384624	4 x 4 - 8	Black	4	4	8	50	40
384632	4 x 4 - 12	Brown	4	4	12	50	60
384634	4 x 4 - 12	Black	4	4	12	50	60
384642	4 x 4 - 14	Brown	4	4	14	50	70
384644	4 x 4 - 14	Black	4	4	14	50	70
384652	4 x 4 - 17	Brown	4	4	17	50	86
384654	4 x 4 - 17	Black	4	4	17	50	86
384662	5 x 5 - 8	Brown	5	5	8	50	50
384664	5 x 5 - 8	Black	5	5	8	50	50

- E.&O.E. - Subject to Change Without Notice - May Not Be Available At All Locations -

ROLL VALLEY FLASHINGS

ITEM #	SIZE	COLOR	LGTH/FT	A (")	SKID/QTY	WT/100
380051	7" x 10'	Galvanized	10	7	50	383
380061	7" x 10'	Brown/Black	10	7	50	383
380071	7" x 10'	Aluminum	10	7	50	114
380081	7" x 25'	Galvanized	25	7	50	957
380091	7" x 25'	Brown/Black	25	7	50	957
380101	7" x 25'	Aluminum	25	7	50	284
380111	7" x 50'	Galvanized	50	7	50	1913
380121	7" x 50'	Brown/Black	50	7	50	1913
380131	7" x 50'	Aluminum	50	7	50	569
380053	10" x 10'	Galvanized	10	10	50	547
380063	10" x 10'	Brown/Black	10	10	50	547
380073	10" x 10'	Aluminum	10	10	50	163
380083	10" x 25'	Galvanized	25	10	50	1367
380093	10" x 25'	Brown/Black	25	10	50	1367
380103	10" x 25'	Aluminum	25	10	50	406
380113	10" x 50'	Galvanized	50	10	50	2733
380123	10" x 50'	Brown/Black	50	10	50	2733
380133	10" x 50'	Aluminum	50	10	50	813
380055	14" x 10'	Galvanized	10	14	50	765
380065	14" x 10'	Brown/Black	10	14	50	765
380075	14" x 10'	Aluminum	10	14	50	228
380085	14" x 25'	Galvanized	25	14	50	1913
380095	14" x 25'	Brown/Black	25	14	50	1913
380105	14" x 25'	Aluminum	25	14	50	569
380115	14" x 50'	Galvanized	50	14	50	3827
380125	14" x 50'	Brown/Black	50	14	50	3827
380135	14" x 50'	Aluminum	50	14	50	1138
380116	16" x 50'	Galvanized	50	16	50	4374
380057	20" x 10'	Galvanized	10	20	50	1093
380067	20" x 10'	Brown/Black	10	20	50	1093
380077	20" x 10'	Aluminum	10	20	50	325
380087	20" x 25'	Galvanized	25	20	50	2733
380097	20" x 25'	Brown/Black	25	20	50	2733
380107	20" x 25'	Aluminum	25	20	50	813
380117	20" x 50'	Galvanized	50	20	50	5467
380127	20" x 50'	Brown/Black	50	20	50	5467
380137	20" x 50'	Aluminum	50	20	50	1625



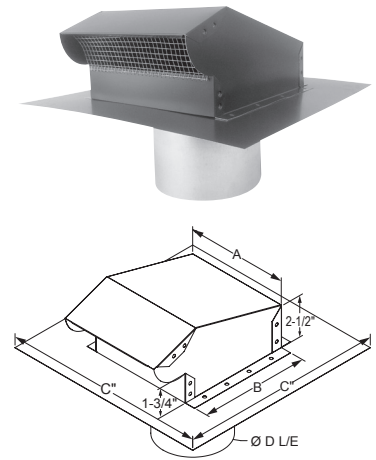
26 GAUGE

ITEM #	SIZE	COLOR	LGTH/FT	A (")	SKID/QTY	WT/100
380145	14" x 50'	Brown/Black	50	14	50	5285
380147	20" x 50'	Brown/Black	50	20	50	7550

- E.&O.E. - Subject to Change Without Notice - May Not Be Available At All Locations -

METAL STEM VENTS

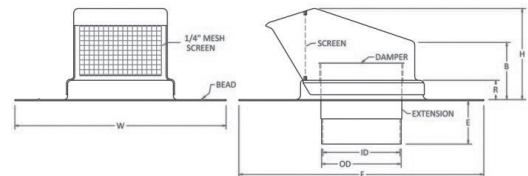
ITEM #	SIZE (")	COLOR	A (")	B (")	C (")	CTN/QTY	WT/100
130070	4	Black	6	6-1/2	12-1/4	1	170
130071	4	Brown	6	6-1/2	12-1/4	1	170
130072	4	Grey	6	6-1/2	12-1/4	1	170
130073	4	Wood Grey	6	6-1/2	12-1/4	1	170
130075	6	Black	8	8-1/2	14-1/4	1	280
130076	6	Brown	8	8-1/2	14-1/4	1	280
130077	6	Grey	8	8-1/2	14-1/4	1	280
130078	6	Wood Grey	8	8-1/2	14-1/4	1	280
130080	8	Black	10	10-1/2	16-1/4	1	390
130081	8	Brown	10	10-1/2	16-1/4	1	390
130082	8	Grey	10	10-1/2	16-1/4	1	390
130083	8	Wood Grey	10	10-1/2	16-1/4	1	390



NOTE: Pipe extends 5" below the base.

PLASTIC STEM VENTS

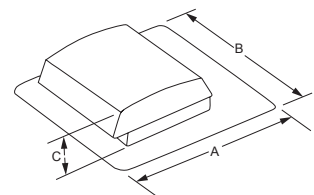
ITEM #	DESCRIPTION	COLOR	A (")	B (")	C (")	D (")	CTN/QTY	WT/100
681410	BVDS-4" Roof Vent	Black	4	11	12-1/2	5	4	150
681411	BVDS-4" Roof Vent	Brown	4	11	12-1/2	5	4	150
681412	BVDS-4" Roof Vent	Dark Brown	4	11	12-1/2	5	4	150
681413	BVDS-4" Roof Vent	Grey	4	11	12-1/2	5	4	150
681414	BVDS-4" Roof Vent	Wood Grey	4	11	12-1/2	5	4	150
681416	BVDS-5" Roof Vent	Black	5	13	14-3/4	4-3/4	4	165
681417	BVDS-5" Roof Vent	Brown	5	13	14-3/4	4-3/4	4	165
681418	BVDS-5" Roof Vent	Dark Brown	5	13	14-3/4	4-3/4	4	165
681419	BVDS-5" Roof Vent	Grey	5	13	14-3/4	4-3/4	4	165
681420	BVDS-5" Roof Vent	Wood Grey	5	13	14-3/4	4-3/4	4	165
681421	BVDS-6" Roof Vent	Black	6	13	14-3/4	4-1/2	4	175
681423	BVDS-6" Roof Vent	Dark Brown	6	13	14-3/4	4-1/2	4	175
681424	BVDS-6" Roof Vent	Grey	6	13	14-3/4	4-1/2	4	175
681425	BVDS-6" Roof Vent	Wood Grey	6	13	14-3/4	4-1/2	4	175



PLASTIC ROOF VENTS

AF-50

ITEM #	DESCRIPTION	COLOR	A (")	B (")	C (")	CTN/QTY	WT/100
681402	AF-50 Roof Vent	Dark Brown	17-3/4	14-3/4	4	12	208
681403	AF-50 Roof Vent	Brown	17-3/4	14-3/4	4	12	208
681404	AF-50 Roof Vent	Grey	17-3/4	14-3/4	4	12	208
681405	AF-50 Roof Vent	Black	17-3/4	14-3/4	4	12	208
681406	AF-50 Roof Vent	Wood Grey	17-3/4	14-3/4	4	12	208

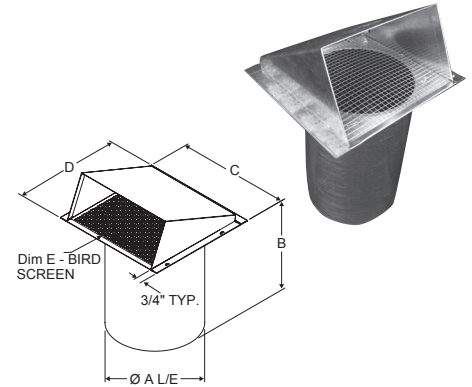


NOTE: Not available in all areas

-E.&O.E. - Subject to Change Without Notice - May Not Be Available At All Locations -

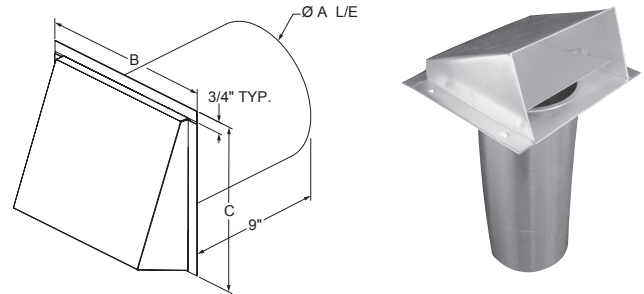
SIDE WALL VENTS — 1/4" BIRDSCREEN

ITEM #	SIZE (")	A (")	B (")	C (")	D (")	E (")	CTN/QTY	WT/100
050775	3	3	9	6-3/4	6-5/16	1/4	20	85
050800	4	4	9	6-3/4	6-5/16	1/4	20	105
050900	5	5	9	8-5/8	7-11/16	1/4	20	140
051000	6	6	9	8-5/8	7-11/16	1/4	20	160
051050	7	7	9	9-7/8	9-1/8	1/4	10	200
051080	8	8	9	10-7/8	10-1/4	1/4	10	260
051090	10	10	9	13	12-1/4	1/4	5	480
051091	12	12	9-1/2	15	14-1/4	1/4	2	360



DRYER VENT HOODS

ITEM #	SIZE (")	A (")	B (")	C (")	CTN/QTY	WT/100
310200	4	4	6-3/4	6-5/16	20	59
310300	5	5	8-5/8	7-11/16	20	60



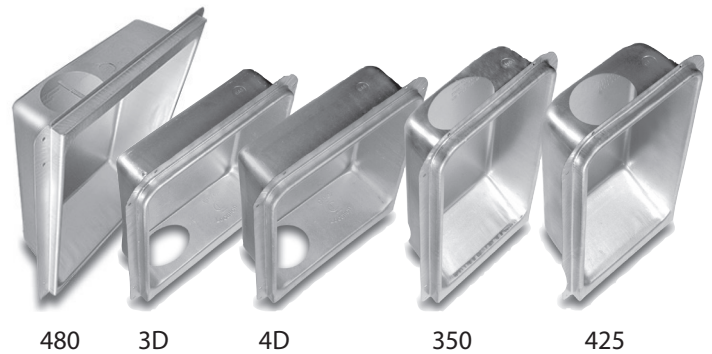
THE DRYERBOX®

Dryer Vent Hose Receptacle

- Doubles as a gas connection receptacle
- Meets code requirements as a clean-out

See www.dryerbox.com for more information.

ITEM #	MODEL	SIZE	EXHAUST DIRECTION	CTN/QTY	WT/100
683010	425	2 x 6	Upward	5	460
683012	350	2 x 4	Upward	6	460
683014	4D	2 x 6	Downward	5	460
683016	3D	2 x 4	Downward	6	460
683018	480	2 x 6	Upward/ Downward	6	460



- E.&O.E. - Subject to Change Without Notice - May Not Be Available At All Locations -

NO CAULK FLASHINGS

ITEM #	SIZE (")	COLOR	ITEM #	SIZE (")	COLOR
681700	1-1/2	Galvanized	681707	4 in 1	Brown
681701	2	Galvanized	681708	4 in 1	Black
681702	3	Galvanized	681709	4 in 1	Grey
681703	4	Galvanized	681710	3-4	Brown
681705	4 in 1	Galvanized	681711	3-4	Black
681706	3-4	Galvanized	681712	3-4	Grey



TPE COLLAR — NO CAULK COLLAR

ITEM #	SIZE (")	WT/100
681713	1-1/2	25
681714	2	25
681715	3	25
681716	4	25

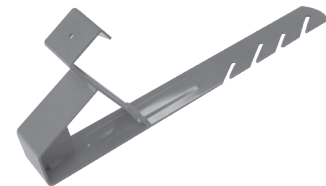
E-FLASH

ITEM #	MODEL	COLOR	CTN/QTY	WT/100
680040	EFL-BK	Black	25	300



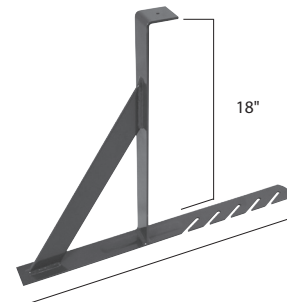
ROOF BRACKETS

ITEM #	SIZE (")	COLOR	A (")	B (")	CTN/QTY	WT/100
680046	2 x 6 - 60 deg	Red	2	6	18" 12	200
680048	2 x 6 - 60 deg	Grey	2	6	12	200
680050	2 x 6 - 60 deg	Yellow	2	6	12	200
680045	2 x 6 - 90 deg	Red	2	6	12	200
680047	2 x 6 - 90 deg	Grey	2	6	12	200
680049	2 x 6 - 90 deg	Yellow	2	6	12	200
680051	2 x 6 - 90 deg	Black	2	6	12	200



ROOF BRACKET - PLYWOOD

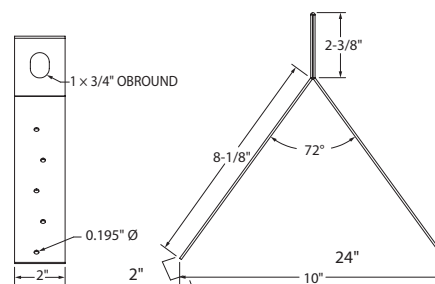
ITEM #	DESCRIPTION	COLOR	WT/100
680054	RB90DEGREE Plywood Bracket	Blue	500



TEMPORARY ROOF ANCHOR BRACKETS

ITEM #	DESCRIPTION	CTN/QTY	WT/100
150690	Temporary Roof Anchor Bracket	*	84

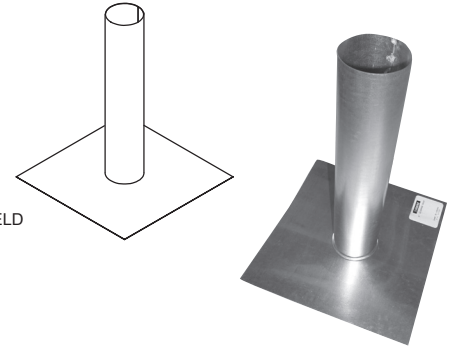
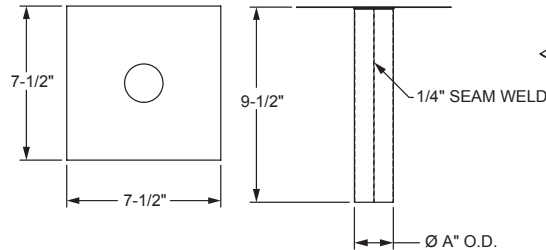
*Product shipped individually.



- E.&O.E. - Subject to Change Without Notice - May Not Be Available At All Locations -

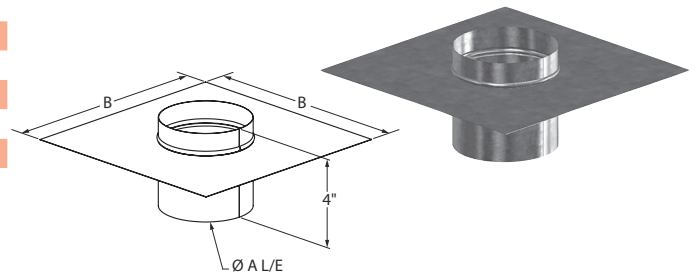
SCUPPER DROPS

ITEM #	SIZE (")	A (")	CTN/QTY	WT/100
130692	2	2	20	55
130693	3	3	20	70



ROOF CAP VENT ADAPTERS

ITEM #	SIZE (")	A (")	B (")	CTN/QTY	WT/100
130094	4	4	10	25	64
130095	5	5	11	25	77
130096	6	6	12	20	89
130097	7	7	13	10	102
130098	8	8	14	10	104



ZINC STRIP

- 99.2% pure zinc
- Installed at the roof's peak releases a zinc coating each time it rains
- Prevents moss, algae, mildew and fungus from growing on rooftops

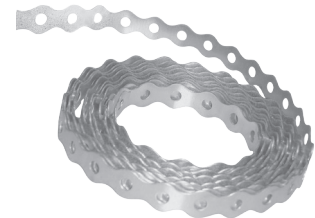
ITEM #	DESCRIPTION	CTN/QTY	WT/100
681648	50' Zinc Strip	6	950



MULT-E STRAP

- Hundreds of uses
- Easy to bend
- Wavy edge allows easier cutting to desired lengths; also allows ease of overlapping and twisting in any configuration.

ITEM #	MODEL	DESCRIPTION	GAUGE	CTN/QTY	WT/100
682910	MS3425G	3/4" x 25 ft. – Galvanized	24	10	145
682911	MS3450G	3/4" x 50 ft. – Galvanized	24	10	290
682912	MS34100G	3/4" x 100 ft. – Galvanized	24	5	581
682914	MS1225G	1/2" x 25 ft. – Galvanized	24	10	103
682922	MS3425S	3/4" x 25 ft. – Steel	24	10	180
682926	MS3425P	3/4" x 25 ft. – PVC Coated Steel	24	10	150
682920	MS1225S	1/2" x 25 ft. – Steel	22	10	126



– E.&O.E. – Subject to Change Without Notice – May Not Be Available At All Locations –

BRISTLE BRUSHES

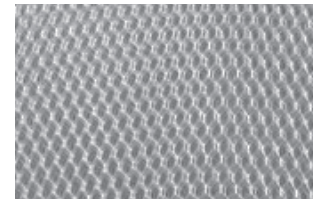
- Disposable
- Pure bristles
- Natural wooden handle

ITEM #	DESCRIPTION	CTN/QTY	WT/100
705168	1" Bristle – Disposable Brush	12	3
705169	1-1/2" Bristle – Disposable Brush	12	4
705170	2" Bristle – Disposable Brush	12	6
705171	3" Bristle – Disposable Brush	12	7



LATH

ITEM #	DESCRIPTION	SIZE (")	A (")	B (")	CTN/QTY	WT/100
706232	ML-1.7 Flat Lath	27 × 96	27	96	*	175
706230	ML-2.5 Flat Lath	27 × 96	27	96	*	250
706231	MLF-2.5 Dimpled Lath	27 × 96	27	96	*	250
706234	ML-3.4 Flat Lath	27 × 96	27	96	*	680



*Product shipped individually.

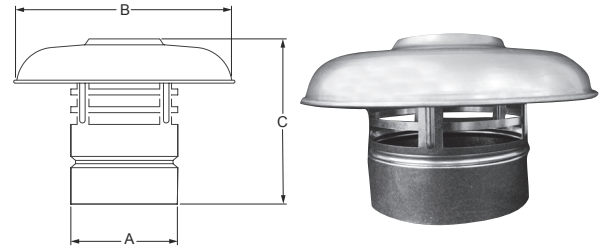


BUILDING PRODUCTS

MODEL E/R TYPE B GAS VENT 3" - 8"

CHINA CAPS — GALVANIZED

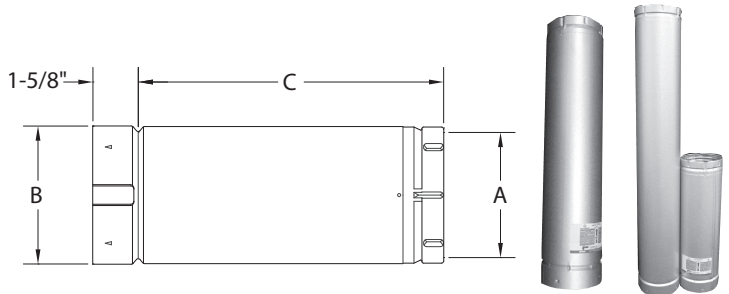
ITEM #	SIZE (")	A (")	B (")	C (")	CTN/QTY	WT/100
134300	3	3	7-3/4	5-3/4	20	75
134400	4	4	7-3/4	6	20	85
134500	5	5	9	6	20	120
134600	6	6	10-1/4	6	20	145
134700	7	7	12-1/4	6	10	186
134800	8	8	12-1/4	6	10	190
134810	10	10	15-1/2	6	5	280
134812	12	12	17-3/4	6-1/2	5	300
134814	14	14	19-3/4	7	5	320



VENT PIPE — VP

ITEM #	MODEL #	A (")	B (")	C (")	CTN/QTY	WT/100
200301	360VP	3	3-1/2	58-3/8	8	475
200401	460VP	4	4-1/2	58-3/8	6	600
210501	560VP	5	5-1/2	58-3/8	6	700
210601	660VP	6	6-1/2	58-3/8	6	900
220701	760VP	7	7-1/2	58-3/8	3	1008
220801	860VP	8	8-1/2	58-3/8	3	1100

NOTE: Dimension C is installed length. Nominal length is 60".



ITEM #	MODEL #	A (")	B (")	C (")	CTN/QTY	WT/100
200350	348VP	3	3-1/2	46-3/8	4	375
200450	448VP	4	4-1/2	46-3/8	6	500
210550	548VP	5	5-1/2	46-3/8	6	600
210650	648VP	6	6-1/2	46-3/8	6	675
220750	748VP	7	7-1/2	46-3/8	4	775
220850	848VP	8	8-1/2	46-3/8	4	900

NOTE: Dimension C is installed length. Nominal length is 48".

ITEM #	MODEL #	A (")	B (")	C (")	CTN/QTY	WT/100
200302	336VP	3	3-1/2	34-3/8	4	275
200402	436VP	4	4-1/2	34-3/8	6	375
210502	536VP	5	5-1/2	34-3/8	6	450
210602	636VP	6	6-1/2	34-3/8	6	525
220702	736VP	7	7-1/2	34-3/8	4	600
220802	836VP	8	8-1/2	34-3/8	4	700

NOTE: Dimension C is installed length. Nominal length is 36".

ITEM #	MODEL #	A (")	B (")	C (")	CTN/QTY	WT/100
200352	324VP	3	3-1/2	22-3/8	8	200
200452	424VP	4	4-1/2	22-3/8	6	250
210552	524VP	5	5-1/2	22-3/8	6	300
210652	624VP	6	6-1/2	22-3/8	6	350
220752	724VP	7	7-1/2	22-3/8	8	400
220852	824VP	8	8-1/2	22-3/8	8	450

NOTE: Dimension C is installed length. Nominal length is 24".

ITEM #	MODEL #	A (")	B (")	C (")	CTN/QTY	WT/100
200303	318VP	3	3-1/2	16-3/8	8	150
200403	418VP	4	4-1/2	16-3/8	8	200
210503	518VP	5	5-1/2	16-3/8	8	225
210603	618VP	6	6-1/2	16-3/8	8	275
220703	718VP	7	7-1/2	16-3/8	8	325
220803	818VP	8	8-1/2	16-3/8	8	350

NOTE: Dimension C is installed length. Nominal length is 18".

ITEM #	MODEL #	A (")	B (")	C (")	CTN/QTY	WT/100
200304	312VP	3	3-1/2	10-3/8	12	100
200404	412VP	4	4-1/2	10-3/8	12	125
210504	512VP	5	5-1/2	10-3/8	12	150
210604	612VP	6	6-1/2	10-3/8	12	200
220704	712VP	7	7-1/2	10-3/8	12	225
220804	812VP	8	8-1/2	10-3/8	12	250

NOTE: Dimension C is installed length. Nominal length is 12".

ITEM #	MODEL #	A (")	B (")	C (")	CTN/QTY	WT/100
200356	306VP	3	3-1/2	4-3/8	10	50
200456	406VP	4	4-1/2	4-3/8	10	80
210556	506VP	5	5-1/2	4-3/8	10	80
210656	606VP	6	6-1/2	4-3/8	10	100
220756	706VP	7	7-1/2	4-3/8	8	125
220856	806VP	8	8-1/2	4-3/8	8	125

NOTE: Dimension C is installed length. Nominal length is 6".

We have custom capabilities to manufacture any sizes you may require. Contact factory for special sizes and configurations not listed.

- E.&O.E. - Subject to Change Without Notice - May Not Be Available At All Locations -



BUILDING PRODUCTS

MODEL E/R TYPE B GAS VENT 3" - 8"

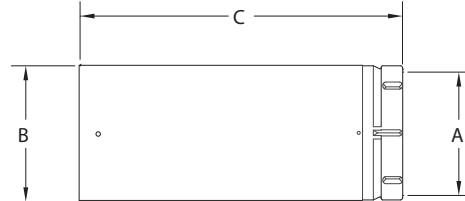
VENT PIPE ADJUSTABLE — VPA

ITEM #	MODEL #	A (")	B (")	C (")	CTN/QTY	WT/100
200305	312VPA	3	3-5/8	12	12	100
200405	412VPA	4	4-5/8	12	12	125
210505	512VPA	5	5-5/8	12	12	150
210605	612VPA	6	6-5/8	12	12	200
220705	712VPA	7	7-5/8	12	12	225
220805	812VPA	8	8-5/8	12	12	250

NOTE: 12" lengths adjust from 4" to 10". Includes sheet metal screws.

ITEM #	MODEL #	A (")	B (")	C (")	CTN/QTY	WT/100
200326	318VPA	3	3-5/8	18	8	150
200426	418VPA	4	4-5/8	18	8	200
210526	518VPA	5	5-5/8	18	8	225
210626	618VPA	6	6-5/8	18	8	275
220726	718VPA	7	7-5/8	18	8	325
220826	818VPA	8	8-5/8	18	8	350

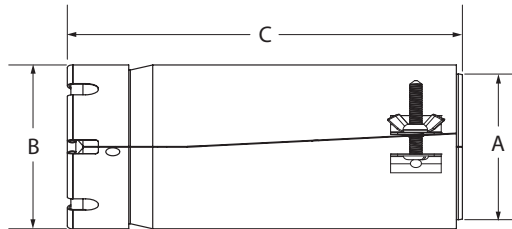
NOTE: 18" lengths adjust from 4" to 16". Includes sheet metal screws.



VENT PIPE ADJUSTABLE WITH CLAMP — VPAC

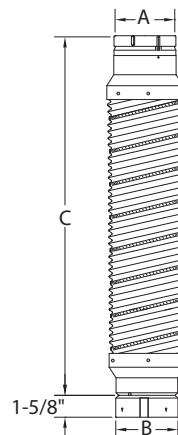
ITEM #	MODEL #	A (")	B (")	C (")	CTN/QTY	WT/100
200396	312VPAC	3	3-5/8	12	12	100
200496	412VPAC	4	4-5/8	12	12	125
210596	512VPAC	5	5-5/8	12	12	150
210696	612VPAC	6	6-5/8	12	12	200
220796	712VPAC	7	7-5/8	12	12	225
220896	812VPAC	8	8-5/8	12	12	250

ITEM #	MODEL #	A (")	B (")	C (")	CTN/QTY	WT/100
200397	318VPAC	3	3-5/8	18	8	150
200497	418VPAC	4	4-5/8	18	8	200
210597	518VPAC	5	5-5/8	18	8	225
210697	618VPAC	6	6-5/8	18	8	275
220797	718VPAC	7	7-5/8	18	8	325
220897	818VPAC	8	8-5/8	18	8	350



GAS VENT CONNECTORS — FLEXIBLE — FGVC

ITEM #	MODEL #	A (")	B (")	C (")	CTN/QTY	WT/100
200392	3" x 24"	3	3-1/2	24	25	130
200393	3" x 36"	3	3-1/2	36	16	230
200394	3" x 48"	3	3-1/2	48	16	290
200395	3" x 60"	3	3-1/2	60	16	345
200492	4" x 24"	4	4-1/2	24	16	220
200493	4" x 36"	4	4-1/2	36	9	300
200494	4" x 48"	4	4-1/2	48	9	365
200495	4" x 60"	4	4-1/2	60	9	445
210592	5" x 24"	5	5-1/2	24	11	260
210593	5" x 36"	5	5-1/2	36	9	345
210594	5" x 48"	5	5-1/2	48	9	435
210595	5" x 60"	5	5-1/2	60	9	510



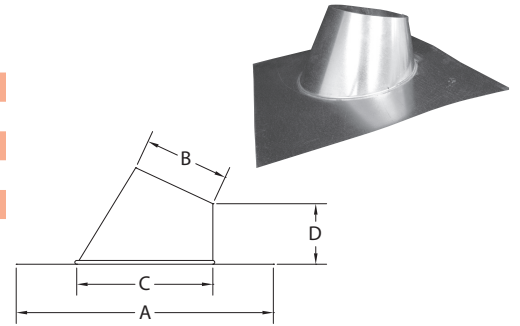
We have custom capabilities to manufacture any sizes you may require. Contact factory for special sizes and configurations not listed.

-E.&O.E. - Subject to Change Without Notice - May Not Be Available At All Locations -

FLASHINGS — ADJUSTABLE — 1/12 — 7/12 — AF

ITEM #	MODEL #	SIZE (")	A (")	B (")	C (")	D (")	CTN/QTY	WT/100
200308	3AF	3	15 × 15	3-5/8	7	4	10	160
200408	4AF	4	16 × 16	4-5/8	8	4	10	180
210508	5AF	5	17 × 17	5-5/8	9	4	10	200
210608	6AF	6	18 × 18	6-5/8	10	4	10	230
220708	7AF	7	19-1/2 × 19-1/2	7-5/8	11-1/2	4	10	275
220808	8AF	8	20-1/2 × 20-1/2	8-5/8	12-1/2	4	10	300

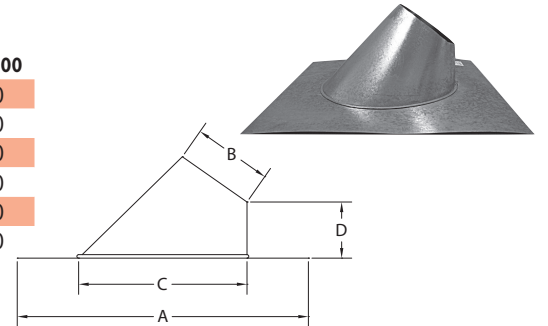
NOTE: Soldered roof flashings available upon request.



FLASHINGS — ADJUSTABLE — 8/12 — 12/12 — AFS

ITEM #	MODEL #	SIZE (")	A (")	B (")	C (")	D (")	CTN/QTY	WT/100
200328	3AFS	3	18 × 18	3-5/8	9-3/8	4	10	250
200428	4AFS	4	19-1/2 × 19-1/2	4-5/8	10-5/8	4	10	260
210528	5AFS	5	20-3/4 × 20-3/4	5-5/8	12	4	10	300
210628	6AFS	6	21-3/8 × 21-3/8	6-5/8	13-3/8	4	10	340
220728	7AFS	7	23 × 23	7-5/8	15	4	5	400
220828	8AFS	8	24-3/8 × 24-3/8	8-5/8	16-3/8	4	5	440

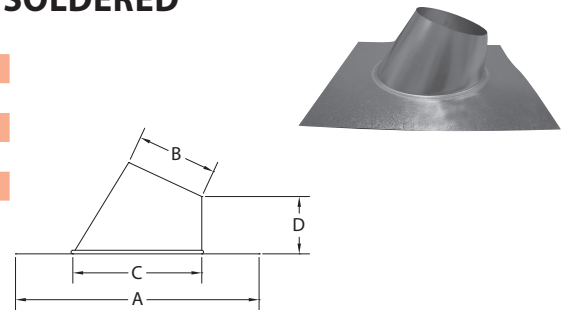
NOTE: Soldered roof flashings available upon request.



FLASHINGS — ADJUSTABLE — 1/12 — 7/12 — ARF — SOLDERED

ITEM #	MODEL #	A (")	B (")	C (")	CTN/QTY	WT/100
200369	3ARF	15 × 15	3-5/8	7	10	160
200469	4ARF	16 × 16	4-5/8	8	10	180
210569	5ARF	17 × 17	5-5/8	9	10	200
210669	6ARF	18 × 18	6-5/8	10	10	230
220769	7ARF	19-1/2 × 19-1/2	7-5/8	11-1/2	8	275
220869	8ARF	20-1/2 × 20-1/2	8-5/8	12-1/2	8	300

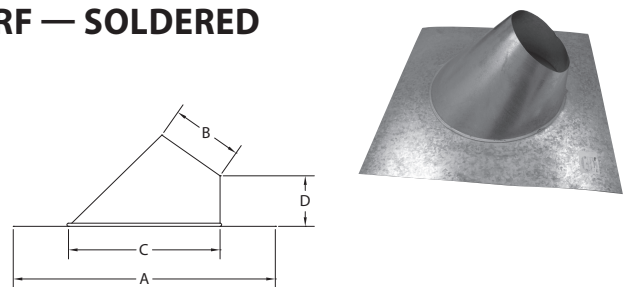
NOTE: All seams are soldered.



FLASHINGS — ADJUSTABLE — 8/12 — 12/12 — ARF — SOLDERED

ITEM #	MODEL #	A (")	B (")	C (")	CTN/QTY	WT/100
200370	3ARF	18 × 18	3-5/8	9-3/8	10	250
200470	4ARF	19-1/2 × 19-1/2	4-5/8	10-5/8	10	260
210570	5ARF	20-3/4 × 20-3/4	5-5/8	12	10	300
210670	6ARF	21-3/8 × 21-3/8	6-5/8	13-3/8	10	340
220770	7ARF	23 × 23	7-5/8	15	5	400
220870	8ARF	24-3/8 × 24-3/8	8-5/8	16-3/8	5	580

NOTE: All seams are soldered.



We have custom capabilities to manufacture any sizes you may require. Contact factory for special sizes and configurations not listed.

- E.&O.E. - Subject to Change Without Notice - May Not Be Available At All Locations -

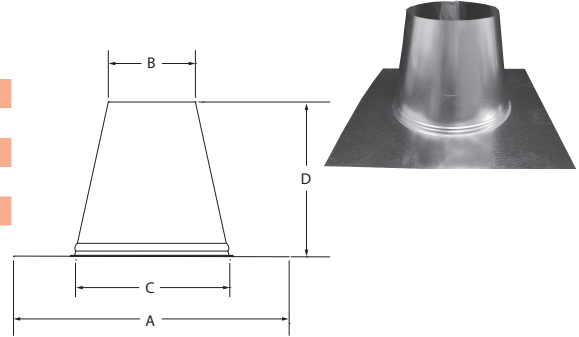


BUILDING PRODUCTS

MODEL E/R TYPE B GAS VENT 3" - 8"

FLASHINGS — FLAT — FF

ITEM #	MODEL #	SIZE (")	A (")	B (")	C (")	D (")	CTN/QTY	WT/100
200309	3FF	3	16 × 16	3-5/8	8	10	10	300
200409	4FF	4	16 × 16	4-5/8	8	10	10	320
210509	5FF	5	18 × 18	5-5/8	10	10	10	360
210609	6FF	6	18 × 18	6-5/8	10	10	10	360
220709	7FF	7	20 × 20	7-5/8	12	10	5	420
220809	8FF	8	20 × 20	8-5/8	12	10	5	420

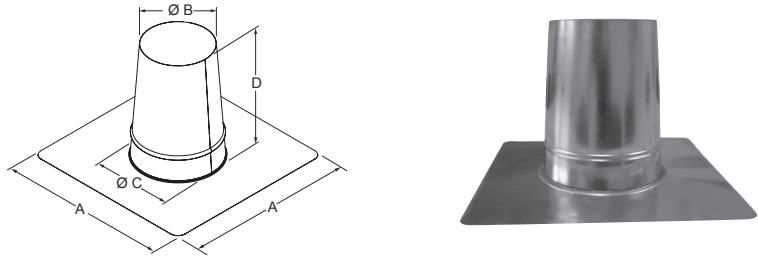


NOTE: All seams are soldered.

FLASHINGS — FLAT — HOT WELDED

ITEM #	DESCRIPTION	SIZE (")	A (")	B (")	C (")	D (")	CTN/QTY	WT/100
131362	4" Hot Weld Flat Flashing B-Vent	4	14	4-5/8	6	10	*	206
131364	5" Hot Weld Flat Flashing B-Vent	5	15	5-5/8	7	10	*	237
131366	6" Hot Weld Flat Flashing B-Vent	6	16	6-5/8	8	10	*	268
131368	7" Hot Weld Flat Flashing B-Vent	7	17	7-5/8	9	10	*	300
131370	8" Hot Weld Flat Flashing B-Vent	8	18	8-5/8	10	10	*	332

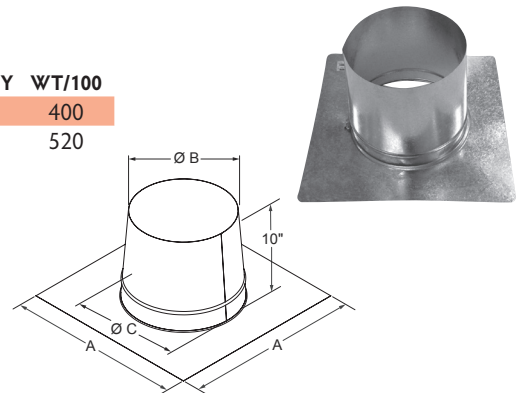
*Product shipped individually.



FLASHINGS — FLAT — PIPE SIZE — HOT WELDED

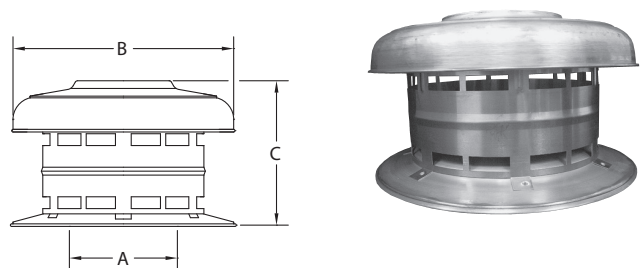
ITEM #	DESCRIPTION	SIZE (")	A (")	B (")	C (")	CTN/QTY	WT/100
131382	10" H/W Flat Flashing Pipe Size	10	20	10-1/2	12	*	400
131383	12" H/W Flat Flashing Pipe Size	12	22	12-1/2	14	*	520

* Product shipped individually.



RAIN CAPS — RC

ITEM #	MODEL #	A (")	B (")	C (")	CTN/QTY	WT/100
200306	3RC	3	8	6-1/8	10	40
200406	4RC	4	9-3/8	6-1/8	16	90
210506	5RC	5	10-3/4	7	16	100
210606	6RC	6	12-3/8	7	8	120
220706	7RC	7	14	7-3/4	8	140
220806	8RC	8	15-5/8	7-3/4	6	160

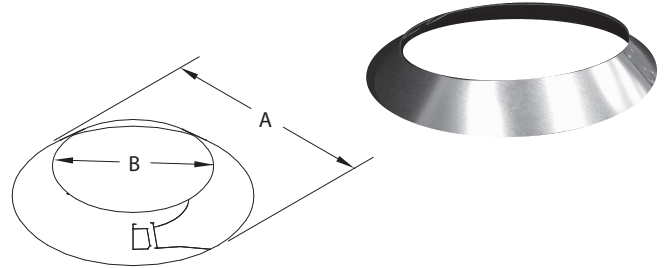


We have custom capabilities to manufacture any sizes you may require. Contact factory for special sizes and configurations not listed.

-E.&O.E. - Subject to Change Without Notice - May Not Be Available At All Locations -

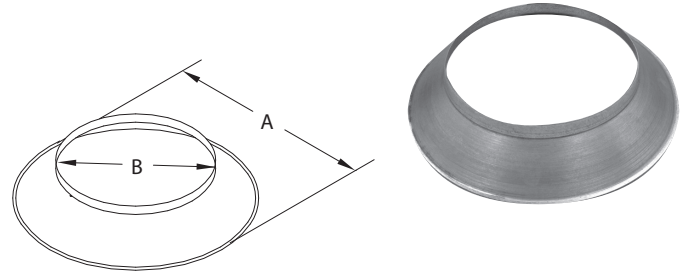
STORM COLLARS — SC

ITEM #	MODEL #	SIZE (")	A (")	B (")	PCS/BNDL	WT/100
200307	3SC	3	6-1/4	3-1/2	10	20
200407	4SC	4	7-1/4	4-1/2	10	26
210507	5SC	5	8-1/4	5-1/2	10	27
210607	6SC	6	9-1/4	6-1/2	10	30
220707	7SC	7	10-1/4	7-1/2	8	34
220807	8SC	8	11-1/4	8-1/2	8	38



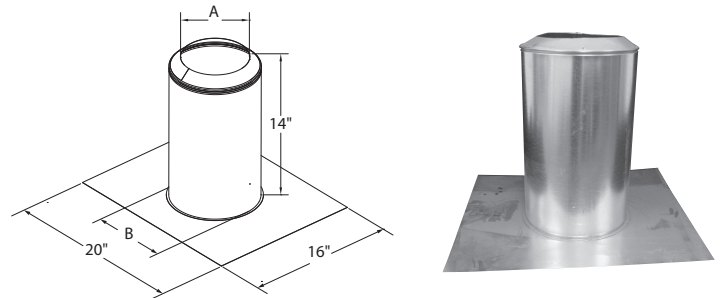
STORM COLLARS — SPUN — SSC

ITEM #	MODEL #	SIZE (")	A (")	B (")	CTN/QTY	WT/100
200390	3SSC	3	6-3/4	3-1/2	50	14
200490	4SSC	4	7-3/4	4-1/2	50	18
210590	5SSC	5	8-3/4	5-1/2	50	22
210690	6SSC	6	9-3/4	6-1/2	50	26
220790	7SSC	7	10-3/4	7-1/2	50	36
220890	8SSC	8	11-3/4	8-1/2	50	44



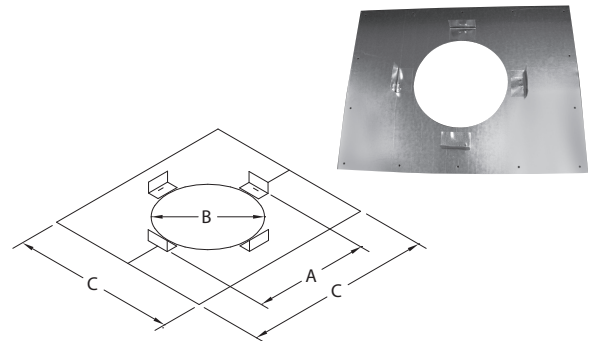
ATTIC INSULATION SHIELDS — AIS

ITEM #	MODEL #	A (")	B (")	CTN/QTY	WT/100
200316	3AIS	3-5/8	5-3/4	1	335
200416	4AIS	4-5/8	6-3/4	1	365
210516	5AIS	5-5/8	7-3/4	1	395
210616	6AIS	6-5/8	8-3/4	1	425
220716	7AIS	7-5/8	9-3/4	1	455
220816	8AIS	8-5/8	10-3/4	1	485



FIRESTOP SPACERS — FS

ITEM #	MODEL #	SIZE (")	A (")	B (")	C (")	CTN/QTY	WT/100
200310	3FS	3	5-5/8 × 5-5/8	3-5/8	13	20	100
200410	4FS	4	6-5/8 × 6-5/8	4-5/8	13	20	100
210510	5FS	5	7-5/8 × 7-5/8	5-5/8	13	20	95
210610	6FS	6	8-5/8 × 8-5/8	6-5/8	13	20	90
220710	7FS	7	9-5/8 × 9-5/8	7-5/8	13	16	75
220810	8FS	8	10-5/8 × 10-5/8	8-5/8	13	5	75



NOTE: Firestop Spacers are required above and below each floor and ceiling level penetrated by the vent.

We have custom capabilities to manufacture any sizes you may require. Contact factory for special sizes and configurations not listed.

- E.&O.E. - Subject to Change Without Notice - May Not Be Available At All Locations -

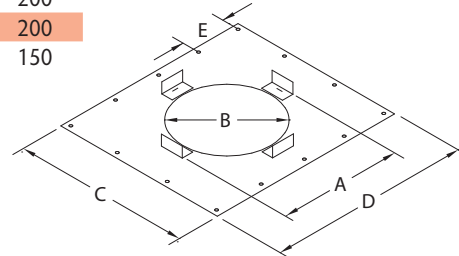
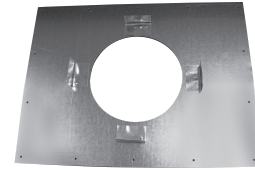


BUILDING PRODUCTS

MODEL E/R TYPE B GAS VENT 3" - 8"

SUPPORT PLATES — SP

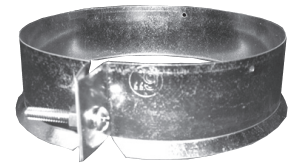
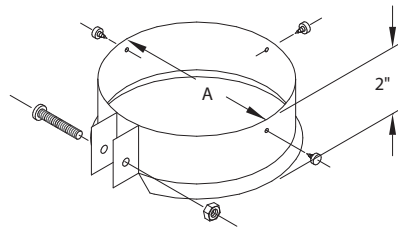
ITEM #	MODEL #	SIZE (")	A (")	B (")	C (")	D (")	E (")	CTN/QTY	WT/100
200317	3SP	3	5-5/8 × 5-5/8	3-5/8	13	17	4	10	210
200417	4SP	4	6-5/8 × 6-5/8	4-5/8	13	17	4	10	200
210517	5SP	5	7-5/8 × 7-5/8	5-5/8	13	17	4	10	200
210617	6SP	6	8-5/8 × 8-5/8	6-5/8	13	17	4	10	200
220717	7SP	7	9-5/8 × 9-5/8	7-5/8	13	17	4	8	200
220817	8SP	8	10-5/8 × 10-5/8	8-5/8	13	17	4	8	150



NOTE: Support Plate and Support Ring required for every 30 feet of vent height.

SUPPORT RINGS — SR

ITEM #	MODEL #	SIZE (")	A (")	CTN/QTY	WT/100
200318	3SR	3	3-1/2	20	25
200418	4SR	4	4-1/2	20	30
210518	5SR	5	5-1/2	20	40
210618	6SR	6	6-1/2	20	50
220718	7SR	7	7-1/2	16	50
220818	8SR	8	8-1/2	16	50



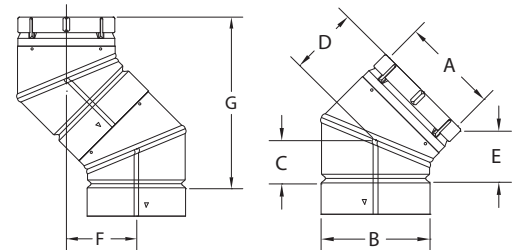
NOTE: Support Plate and Support Ring required for every 30 feet of vent height.
Includes sheet metal Screws and Assembly Bolt for installation.

ELBOWS — 45 DEGREE — 45EL — 2 PIECE

ITEM #	MODEL #	A (")	B (")	C (")	D (")	E (")	F (")	G (")	CTN/QTY	WT/100
220713	745EL	7	7-1/2	3	4-1/4	3-3/8	5	11-7/8	12	175
220813	845EL	8	8-1/2	3-1/4	4-1/2	3-3/8	5-1/2	12-5/8	12	200



NOTE: Adjustable 0 deg. to 45 deg. Two piece construction. Dimension G is installed length.



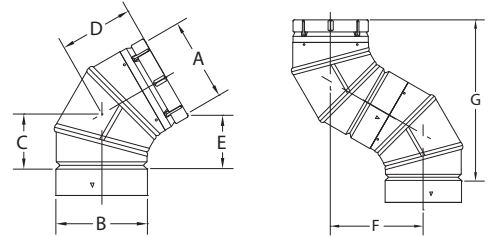
We have custom capabilities to manufacture any sizes you may require. Contact factory for special sizes and configurations not listed.

— E.&O.E. — Subject to Change Without Notice — May Not Be Available At All Locations —

ELBOWS — 45 DEGREE — 45EL — 3 PIECE

ITEM #	MODEL #	A (")	B (")	C (")	D (")	E (")	F (")	G (")	CTN/QTY	WT/100
200313	345EL	3	3-1/2	3	3-7/8	3-1/8	6-1/4	9-5/8	12	65
200413	445EL	4	4-1/2	3	4-1/4	3-1/8	6-1/4	10-3/4	10	100
210513	545EL	5	5-1/2	3-1/4	4-5/8	3-1/4	6-3/4	11-3/4	10	100
210613	645EL	6	6-1/2	3-1/2	5	3-1/4	7-3/8	12-1/2	10	125

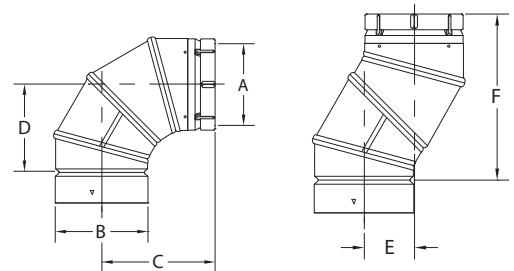
NOTE: Adjustable 0 deg. to 60 deg. Three piece construction. Dimension G is installed length.



ELBOWS — 90 DEGREE — 90EL

ITEM #	MODEL #	A (")	B (")	C (")	D (")	E (")	F (")	CTN/QTY	WT/100
200314	390EL	3	3-1/2	5-1/4	4-1/4	2	7-3/8	8	100
200414	490EL	4	4-1/2	6	4-5/8	2-1/4	8-5/8	10	125
210514	590EL	5	5-1/2	6-5/8	5	2-1/2	9-3/8	8	175
210614	690EL	6	6-1/2	6-5/8	5	2-3/4	9-3/4	8	200
220714	790EL	7	7-1/2	7-1/2	7-1/2	3	11-1/4	8	275
220814	890EL	8	8-1/2	8-1/4	6-5/8	3	11-3/4	6	300

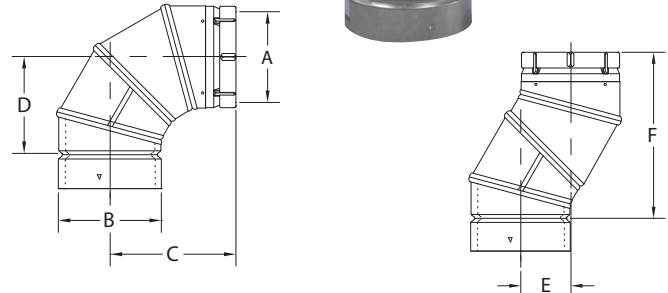
NOTE: Adjustable 0 deg. to 90 deg. Dimension F is installed length.



ELBOWS — DIRECT CONNECT — 90 DEGREE

ITEM #	MODEL #	A (")	B (")	C (")	D (")	E (")	F (")	CTN/QTY	WT/100
200380	3DCE	3	3-1/2	5-1/4	4-1/4	2	7-3/8	8	100
200480	4DCE	4	4-1/2	6	4-5/8	2-1/4	8-5/8	10	125

NOTE: Inner Liner flared to directly connect to appliance.



We have custom capabilities to manufacture any sizes you may require. Contact factory for special sizes and configurations not listed.

— E.&O.E. — Subject to Change Without Notice — May Not Be Available At All Locations —

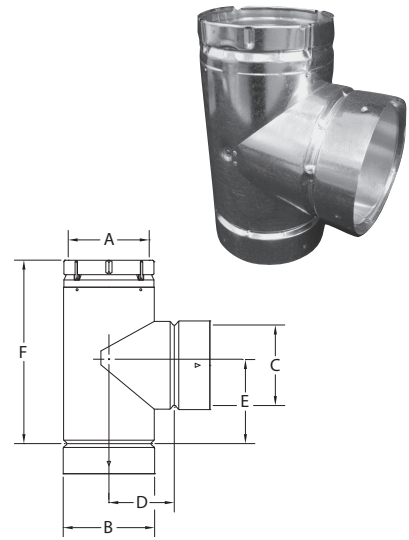


BUILDING PRODUCTS

MODEL E/R TYPE B GAS VENT 3" - 8"

TEES — DOUBLE WALL — DWT

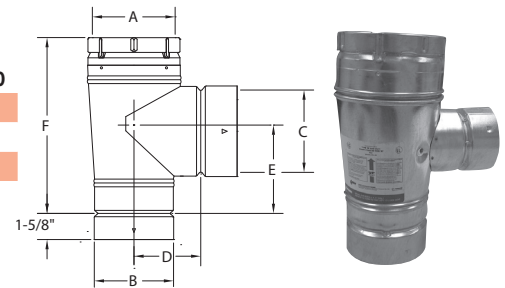
ITEM #	MODEL #	A (")	B (")	C (")	D (")	E (")	F (")	CTN/QTY	WT/100
200312	3DWT	3	3-1/2	3	3	2-3/4	7-1/8	6	100
200412	4DWT	4	4-1/2	4	3-1/2	3-1/4	8-1/8	6	200
210512	5DWT	5	5-1/2	5	4	3-3/4	9-1/8	8	200
210545	5DWT3	5	5-1/2	3	4	2-3/4	7-1/8	8	200
210544	5DWT4	5	5-1/2	4	4	3-1/4	8-1/8	6	200
210612	6DWT	6	6-1/2	6	4-1/2	4-1/4	10-1/8	6	250
210642	6DWT63	6	6-1/2	3	4-1/2	2-3/4	7-1/8	6	250
210644	6DWT4	6	6-1/2	4	4-1/2	3-1/4	8-1/8	6	250
210645	6DWT5	6	6-1/2	5	4-1/2	3-3/4	9-1/8	6	275
220712	7DWT	7	7-1/2	7	5	4-3/4	11-1/8	6	300
220774	7DWT4	7	7-1/2	4	5	3-1/4	8-1/8	6	300
220743	7DWT5	7	7-1/2	5	5	3-3/4	9-1/8	6	260
220742	7DWT6	7	7-1/2	6	5	4-1/4	10-1/8	6	300
220812	8DWT	8	8-1/2	8	5-1/2	5-1/4	12-1/8	6	400



NOTE: Dimension F is installed length. Tee Cap not included.

TEES — DOUBLE WALL — DWT TAPER

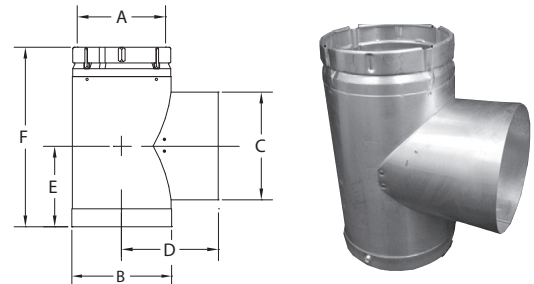
ITEM #	MODEL #	A (")	B (")	C (")	D (")	E (")	F (")	CTN/QTY	WT/100
210542	5DWT43	5	4-1/2	3	4-1/4	4-1/2	9-7/8	8	190
210543	5DWT44	5	4-1/2	4	4-1/4	4-1/2	9-7/8	8	190
210643	6DWT54	6	5-1/2	4	4-1/4	5	11	8	215



NOTE: Dimension F is installed length.

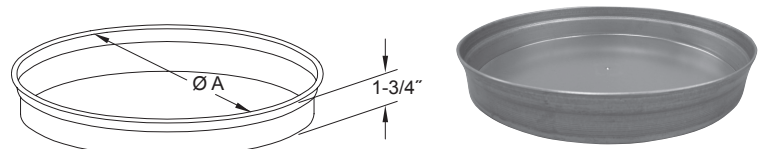
TEES — SINGLE WALL — GALVANIZED — SWT

ITEM #	MODEL #	A (")	B (")	C (")	D (")	E (")	F (")	CTN/QTY	WT/100
200311	3SWT	3	3-1/2	3	4	6	12	10	110
200411	4SWT	4	4-1/2	4	5	6	12	10	150



TEE CAPS — SPUN — TC

ITEM #	MODEL #	A (")	CTN/QTY	WT/100
570326	3TC	3	20	20
570426	4TC	4	20	26
570526	5TC	5	20	35
570626	6TC	6	20	46
570726	7TC	7	20	60
570826	8TC	8	20	72



We have custom capabilities to manufacture any sizes you may require. Contact factory for special sizes and configurations not listed.

- E.&O.E. - Subject to Change Without Notice - May Not Be Available At All Locations -

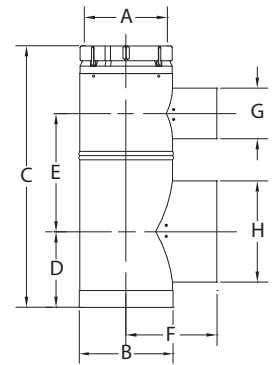


BUILDING PRODUCTS

MODEL E/R TYPE B GAS VENT 3" - 8"

TEES — SINGLE WALL BASE — GALVANIZED — SWBT

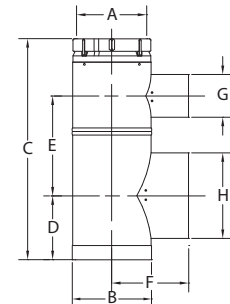
ITEM #	MODEL #	A (")	B (")	C (")	D (")	E (")	F (")	G (")	H (")	CTN/QTY	WT/100
200422	4SWT43	4	4-1/2	15-3/8	4-1/4	7	5	3	4	10	180
210522	5SWT43	5	5-1/2	15-3/8	4-1/4	7	5-1/2	3	4	10	230
210524	5SWT44	5	5-1/2	15-3/8	4-1/4	7	5-1/2	4	4	10	200
210511	5SWT53	5	5-1/2	15-3/8	4-1/4	7	5-1/2	3	5	10	240
210523	5SWT54	5	5-1/2	15-3/8	4-1/4	7	5-1/2	4	5	10	240
210525	5SWT55	5	5-1/2	15-3/8	4-1/4	7	5-1/2	5	5	10	240
210625	6SWT44	6	6-1/2	15-3/8	4-1/4	7	6	4	4	10	230
210622	6SWT53	6	6-1/2	15-3/8	4-1/4	7	6	3	5	10	250
210624	6SWT54	6	6-1/2	15-3/8	4-1/4	7	6	4	5	10	275
210621	6SWT55	6	6-1/2	15-3/8	4-1/4	7	6	5	5	10	251
210611	6SWT63	6	6-1/2	15-3/8	4-1/4	7	6	3	6	10	250
210623	6SWT64	6	6-1/2	15-3/8	4-1/4	7	6	4	6	10	250
210620	6SWT65	6	6-1/2	15-3/8	4-1/4	7	6	5	6	10	250
210627	6SWT66	6	6-1/2	15-3/8	4-1/4	7	6	6	6	10	250
220722	7SWT53	7	7-1/2	15-3/8	4-1/4	7	6-1/2	3	5	10	300
220720	7SWT55	7	7-1/2	15-3/8	4-1/4	7	6-1/2	5	5	10	300
220723	7SWT63	7	7-1/2	15-3/8	4-1/4	7	6-1/2	3	6	10	300
220725	7SWT64	7	7-1/2	15-3/8	4-1/4	7	6-1/2	4	6	10	300
220711	7SWT73	7	7-1/2	15-3/8	4-1/4	7	6-1/2	3	7	10	300
220724	7SWT74	7	7-1/2	15-3/8	4-1/4	7	6-1/2	4	7	10	300
220721	7SWT75	7	7-1/2	15-3/8	4-1/4	7	6-1/2	5	7	10	300
220811	8SWT83	8	8-1/2	17-5/8	6	7-1/2	7	3	8	8	375
220824	8SWT84	8	8-1/2	17-5/8	6	7-1/2	7	4	8	8	375



NOTE: Swivel Joint allows a full 360 deg. Rotation between top and bottom of tee. Factory installed Tee Cap attached to bottom of Tee.

TEES — SINGLE WALL BASE — ALUMINUM — SWBTA

ITEM #	MODEL #	A (")	B (")	C (")	D (")	E (")	F (")	G (")	H (")	CTN/QTY	WT/100
210584	5SWT43A	5	5-1/2	15-3/8	4-1/4	7	5-1/2	3	4	10	160
210583	5SWT44A	5	5-1/2	15-3/8	4-1/4	7	5-1/2	4	4	10	160
210582	5SWT53A	5	5-1/2	15-3/8	4-1/4	7	5-1/2	3	5	10	104
210581	5SWT54A	5	5-1/2	15-3/8	4-1/4	7	5-1/2	4	5	10	160
210687	6SWT44A	6	6-1/2	15-3/8	4-1/4	7	6	4	4	10	270
210686	6SWT53A	6	6-1/2	15-3/8	4-1/4	7	6	3	5	10	170
210685	6SWT54A	6	6-1/2	15-3/8	4-1/4	7	6	4	5	10	170
210683	6SWT63A	6	6-1/2	15-3/8	4-1/4	7	6	3	6	10	108
210682	6SWT64A	6	6-1/2	15-3/8	4-1/4	7	6	4	6	10	170
220786	7SWT64A	7	7-1/2	15-3/8	4-1/4	7	6-1/2	4	6	10	200
220783	7SWT74A	7	7-1/2	15-3/8	4-1/4	7	6-1/2	4	7	10	200



We have custom capabilities to manufacture any sizes you may require. Contact factory for special sizes and configurations not listed.

— E.&O.E. — Subject to Change Without Notice — May Not Be Available At All Locations —



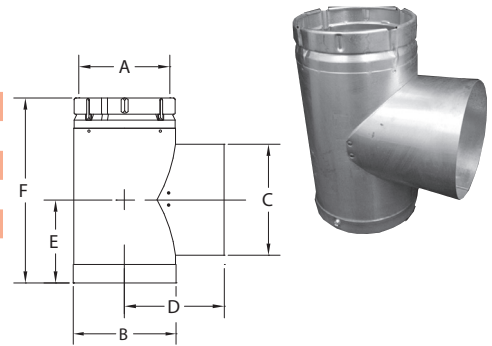
BUILDING PRODUCTS

MODEL E/R TYPE B GAS VENT 3" - 8"

TEES — SINGLE WALL — ALUMINUM — SWTA

ITEM #	MODEL #	A (")	B (")	C (")	D (")	E (")	F (")	CTN/QTY	WT/100
200330	3SW/TA	3	3-1/2	3	3-1/2	5	10	10	40
200430	4SW/TA	4	4-1/2	4	4-3/4	5	10	10	50
210530	5SW/TA	5	5-1/2	5	5-1/2	5	10	10	100
210630	6SW/TA	6	6-1/2	6	5-3/4	5-1/2	11	10	100
220730	7SW/TA	7	7-1/2	7	6-1/4	6	12	10	130
220830	8SW/TA	8	8-1/2	8	7	6-1/2	13	8	175

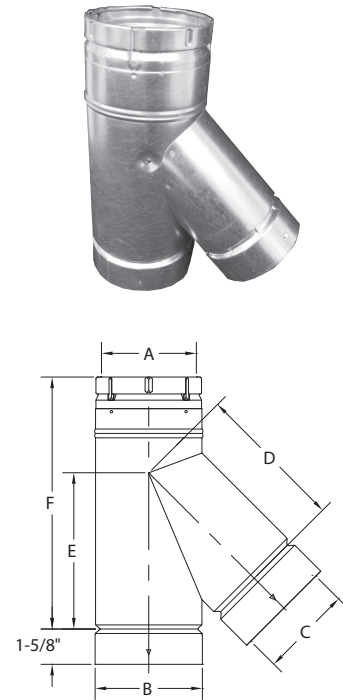
NOTE: Factory Tee Cap attached to bottom of Tee.



WYES — SWIVEL — DOUBLE WALL — DWW

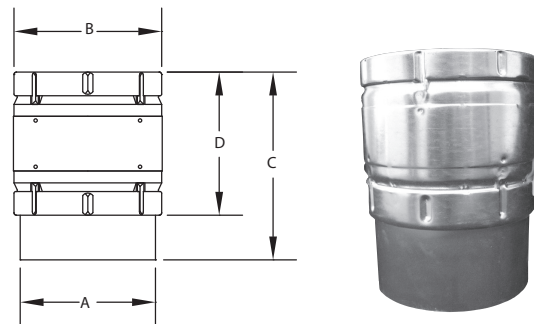
ITEM #	MODEL #	A (")	B (")	C (")	D (")	E (")	F (")	CTN/QTY	WT/100
200434	4DW/W33	4	3-1/2	3	4-11/16	6-3/4	11-1/8	6	200
200433	4DW/W43	4	4-1/2	3	4-11/16	6-3/4	11-1/8	6	200
200431	4DW/W44	4	4-1/2	4	5 3/16	6-3/4	11-1/8	6	200
210536	5DW/W33	5	3-1/2	3	5-3/8	7-1/2	11-11/16	6	225
210535	5DW/W43	5	4-1/2	3	5-3/8	7-1/2	11-11/16	6	225
210534	5DW/W44	5	4-1/2	4	5-7/8	7-1/2	11-11/16	6	225
210533	5DW/W53	5	5-1/2	3	5-3/8	7-1/2	11-11/16	6	225
210532	5DW/W54	5	5-1/2	4	5-7/8	7-1/2	11-11/16	6	225
210531	5DW/W55	5	5-1/2	5	6-3/8	7-1/2	12-3/16	6	225
210638	6DW/W44	6	4-1/2	4	6-5/8	7-1/2	10-15/16	6	275
210637	6DW/W53	6	5-1/2	3	6-1/8	7-1/2	10-15/16	6	275
210636	6DW/W54	6	5-1/2	4	6-5/8	7-1/2	10-15/16	6	275
210634	6DW/W63	6	6-1/2	3	6-1/8	7-1/2	10-15/16	4	275
210633	6DW/W64	6	6-1/2	4	6-5/8	7-1/2	10-15/16	6	275
210632	6DW/W65	6	6-1/2	5	7-1/8	8-1/4	12-3/8	4	275
210631	6DW/W66	6	6-1/2	6	7-5/8	9	13-7/8	4	275
220734	7DW/W74	7	7-1/2	4	9	9	12-7/16	6	270
220733	7DW/W75	7	7-1/2	5	9-1/2	9	12-7/16	6	280
220732	7DW/W76	7	7-1/2	6	8-3/8	9-1/2	13-7/8	4	290
220731	7DW/W77	7	7-1/2	7	8-7/8	10	14-15/16	4	350
220831	8DW/W88	8	8-1/2	8	9-7/8	11-1/2	17-1/8	4	450

NOTE: Stub dimension B and C may vary according to customer requirements. If an Increasing Wye is required, use a standard Wye and an Increaser.



DRAFT HOOD CONNECTORS — DHC

ITEM #	MODEL #	A (")	B (")	C (")	D (")	CTN/QTY	WT/100
200315	3DHC	3	3-1/2	8-1/2	5-1/2	10	40
200415	4DHC	4	4-1/2	8-1/2	5-1/2	10	50
210515	5DHC	5	5-1/2	8-1/2	5-1/2	10	70
210615	6DHC	6	6-1/2	8-1/2	5-1/2	10	80
220715	7DHC	7	7-1/2	8-1/2	5-1/2	8	100
220815	8DHC	8	8-1/2	8-1/2	5-1/2	8	100



We have custom capabilities to manufacture any sizes you may require. Contact factory for special sizes and configurations not listed.

-E.&O.E. - Subject to Change Without Notice - May Not Be Available At All Locations -

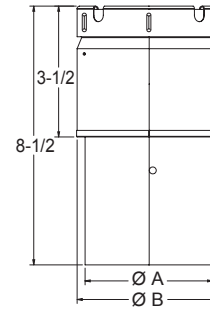


BUILDING PRODUCTS

MODEL E/R TYPE B GAS VENT 3" - 8"

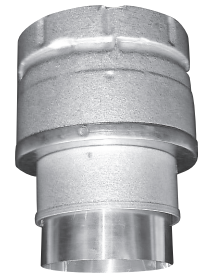
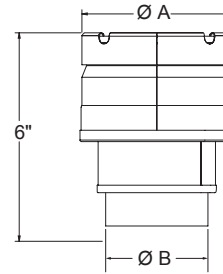
DRAFT HOOD CONNECTORS WITH HEM — DHCH

ITEM #	MODEL #	A (")	B (")	CTN/QTY	WT/100
200372	3DHCH	3	3-1/2	10	40
200472	4DHCH	4	4-1/2	10	45
210572	5DHCH	5	5-1/2	10	50
210672	6DHCH	6	6-1/2	10	55
220772	7DHCH	7	7-1/2	8	60
220872	8DHCH	8	8-1/2	8	65



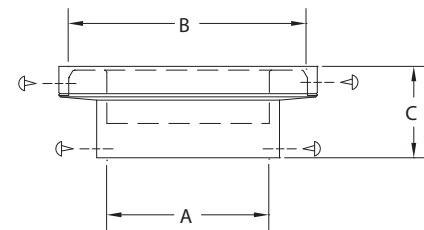
DRAFT HOOD CONNECTOR INCREASER — DHCI

ITEM #	MODEL #	A (")	B (")	CTN/QTY	WT/100
200471	3DHCI	4-1/2	3.10	25	55



INCREASERS — DOUBLE WALL — INC

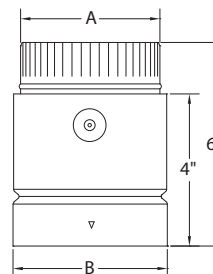
ITEM #	MODEL #	A (")	B (")	C (")	CTN/QTY	WT/100
200358	304INC	3	4	2-1/4	10	50
200359	305INC	3	5	2-1/4	10	60
200458	405INC	4	5	2-1/4	10	70
200459	406INC	4	6	2-1/4	10	85
200460	407INC	4	7	2-1/4	10	72
200461	408INC	4	8	2-1/4	10	80
210558	506INC	5	6	2-1/4	10	90
210559	507INC	5	7	2-1/4	10	108
210561	508INC	5	8	2-1/4	10	80
210658	607INC	6	7	2-1/4	10	110
210659	608INC	6	8	2-1/4	10	118
210660	610INC	6	10	2-1/4	10	100
220758	708INC	7	8	2-1/4	10	125
220858	810INC	8	10	2-1/4	10	120



NOTE: Includes Sheet Metal Screws for installation.

B-VENT TO SINGLE WALL CONNECTORS — BSW

ITEM #	MODEL #	A (")	B (")	CTN/QTY	WT/100
200363	3BSW	3	3-1/2	10	40
200463	4BSW	4	4-1/2	10	50
210563	5BSW	5	5-1/2	10	70
210663	6BSW	6	6-1/2	10	90



We have custom capabilities to manufacture any sizes you may require. Contact factory for special sizes and configurations not listed.

— E.&O.E. — Subject to Change Without Notice — May Not Be Available At All Locations —

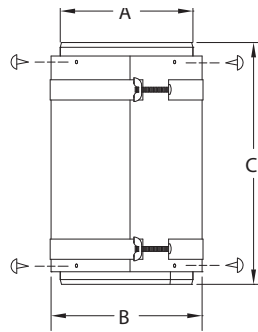


BUILDING PRODUCTS

MODEL E/R TYPE B GAS VENT 3" - 8"

B-VENT TO FLEX CONNECTORS — BF

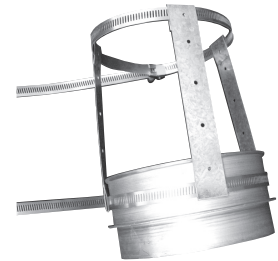
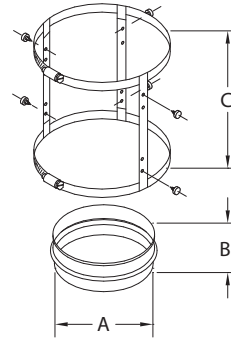
ITEM #	MODEL #	A (")	B (")	C (")	CTN/QTY	WT/100
200362	3BF	3	3-5/8	9	10	120
200462	4BF	4	4-5/8	9	10	140
210562	5BF	5	5-5/8	9	10	160
210662	6BF	6	6-5/8	9	10	180
220762	7BF	7	7-5/8	9	5	280
220862	8BF	8	8-5/8	9	5	320



NOTE: Includes Sheet Metal Screws for installation.

B-VENT TO B-VENT ADAPTERS — BA

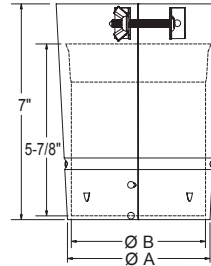
ITEM #	MODEL #	A (")	B (")	C (")	CTN/QTY	WT/100
200364	3BA	3	2-3/4	6-1/2	10	50
200464	4BA	4	3	6-1/2	10	60
210564	5BA	5	3	6-1/2	10	70
210664	6BA	6	3	6-1/2	10	80
220764	7BA	7	3	6-1/2	10	90
220864	8BA	8	3	6-1/2	10	100



NOTE: Includes Sheet Metal Screws for installation.

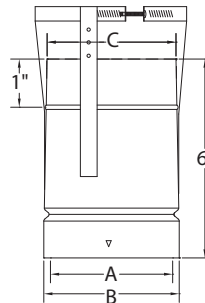
ADAPTERS — FEMALE — B-VENT — FMSA

ITEM #	MODEL #	A (")	B (")	CTN/QTY	WT/100
200373	3FMSA	3-5/8	3	25	65
200473	4FMSA	4-5/8	4	25	70
210573	5FMSA	5-5/8	5	10	75
210673	6FMSA	6-5/8	6	10	80
220773	7FMSA	7-5/8	7	8	85
220873	8FMSA	8-5/8	8	8	90



ADAPTERS — FEMALE — B-VENT — FMA

ITEM #	MODEL #	A (")	B (")	C (")	CTN/QTY	WT/100
200365	3FMA	3	3-5/8	3-3/8	10	70
200465	4FMA	4	4-5/8	4-3/8	10	85
210565	5FMA	5	5-5/8	5-3/8	10	100
210665	6FMA	6	6-5/8	6-3/8	10	115
220765	7FMA	7	7-5/8	7-3/8	8	100
210865	8FMA	8	8-5/8	8-3/8	8	110



We have custom capabilities to manufacture any sizes you may require. Contact factory for special sizes and configurations not listed.

- E.&O.E. - Subject to Change Without Notice - May Not Be Available At All Locations -

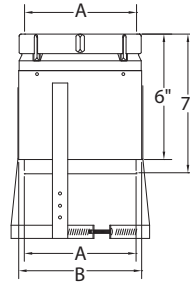


BUILDING PRODUCTS

MODEL E/R TYPE B GAS VENT 3" - 8"

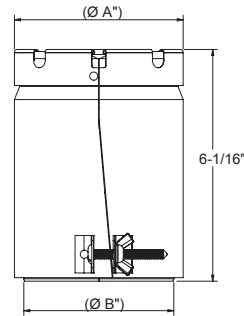
ADAPTERS — MALE — B-VENT — MA

ITEM #	MODEL #	A (")	B (")	CTN/QTY	WT/100
200366	3MA	3	3-5/8	10	70
200466	4MA	4	4-5/8	10	85
210566	5MA	5	5-5/8	10	100
210666	6MA	6	6-5/8	10	115



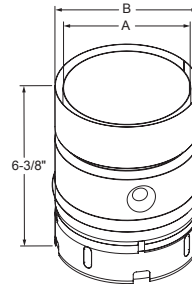
ADAPTERS — MALE — B-VENT — MSA

ITEM #	MODEL #	A (")	B (")	CTN/QTY	WT/100
200375	3MSA	3-5/8	3	25	65
200475	4MSA	4-5/8	4	25	70
210575	5MSA	5-5/8	5	10	75
210675	6MSA	6-5/8	6	10	80
220775	7MSA	7-5/8	7	8	85
220875	8MSA	8-5/8	8	8	90



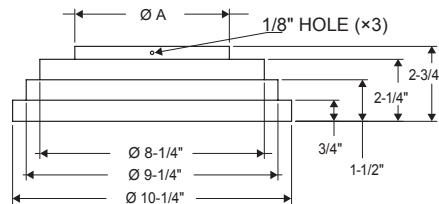
ADAPTER — B-VENT — HCA

ITEM #	MODEL #	A (")	B (")	CTN/QTY	WT/100
200477	4HCA	4	4-1/2	25	70



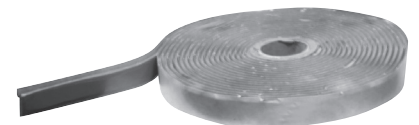
ADAPTERS — A-VENT TO B-VENT

ITEM #	SIZE (")	A (")	CTN/QTY	WT/100
139074	4	4-5/8	50	110
139075	5	5-5/8	50	110
139076	6	6-5/8	50	110



BUTYL GASKET (SEALANT TAPE)

ITEM #	DESCRIPTION	CTN/QTY	WT/100
704930	3/4" x 3/16" x 25'	5	250



We have custom capabilities to manufacture any sizes you may require. Contact factory for special sizes and configurations not listed.

— E.&O.E. — Subject to Change Without Notice — May Not Be Available At All Locations —

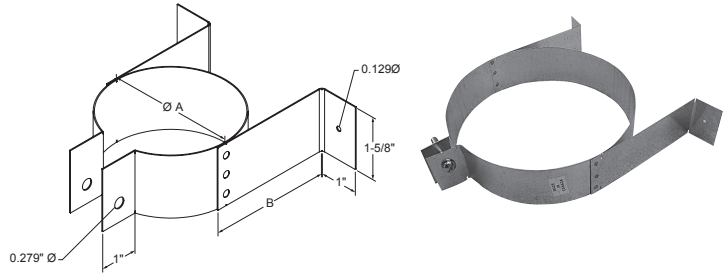


BUILDING PRODUCTS

MODEL E/R TYPE B GAS VENT 3" - 8"

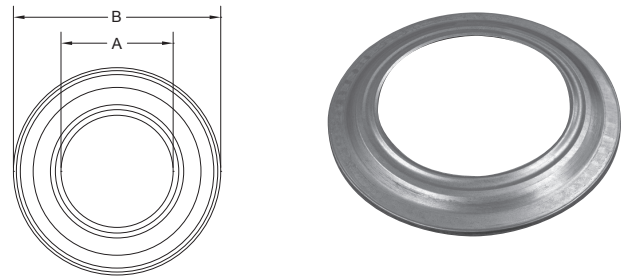
WALL BANDS — WB

ITEM #	MODEL #	A (")	B (")	CTN/QTY	WT/100
200319	3WB	3-1/2	3-1/8	20	35
200419	4WB	4-5/16	3-5/8	20	33
210519	5WB	5-5/16	4-1/8	20	38
210619	6WB	6-5/16	4-5/8	20	44
220719	7WB	7-1/2	4-1/4	20	51
220819	8WB	8-1/2	5-3/4	20	58



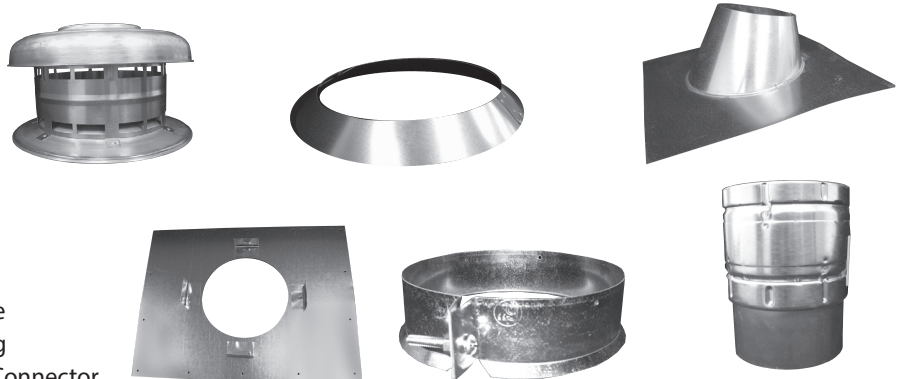
FINISHING COLLARS — FC

ITEM #	MODEL #	SIZE (")	A (")	B (")	CTN/QTY	WT/100
200389	3FC	3	3-5/8	8-1/2	50	30
200489	4FC	4	4-5/8	9-1/2	50	34
210589	5FC	5	5-5/8	10-1/2	50	40
210689	6FC	6	6-5/8	11-1/2	50	44
220789	7FC	7	7-5/8	12-1/2	50	50
220889	8FC	8	8-5/8	13-1/2	50	56



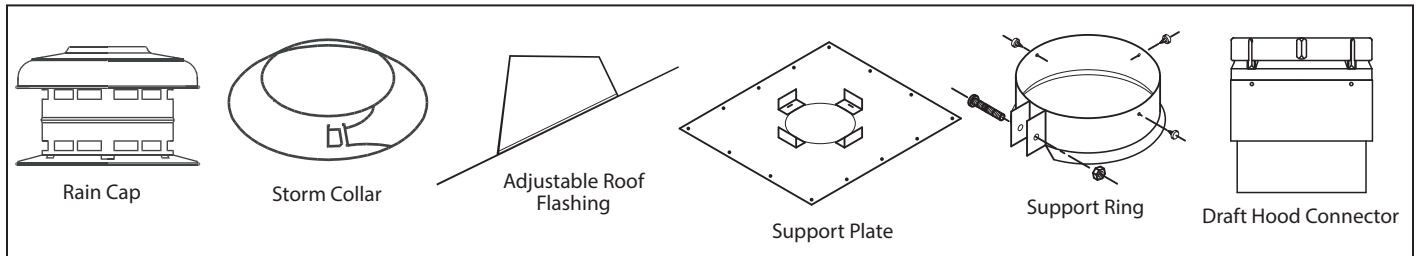
TYPE B GAS VENT KITS WITH DRAFT HOOD CONNECTOR

ITEM #	MODEL #	CTN/QTY	WT/100
200346	3GVK	1	500
200446	4GVK	1	600
210546	5GVK	1	700
210646	6GVK	1	800
220746	7GVK	1	900
220846	8GVK	1	1000



Kit includes:

- 1 – Rain Cap
- 1 – Storm Collar
- 1 – Adjustable Flashing
- 1 – Support Plate
- 1 – Support Ring
- 1 – Draft Hood Connector



We have custom capabilities to manufacture any sizes you may require. Contact factory for special sizes and configurations not listed.

– E.&O.E. – Subject to Change Without Notice – May Not Be Available At All Locations –



BUILDING PRODUCTS

MODEL E/R TYPE B GAS VENT 3" - 8"

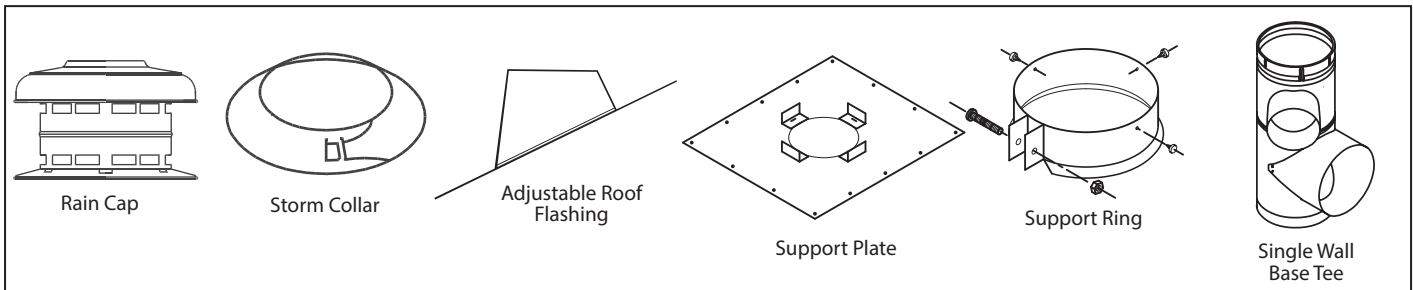
TYPE B GAS VENT KITS WITH SINGLE WALL BASE TEE

ITEM #	MODEL #	CTN/QTY	WT/100
200347	3GVK-T	1	570
200447	4GVK-T	1	640
210547	5GVK-T	1	770
210647	6GVK-T	1	860
220747	7GVK-T	1	980
220847	8GVK-T	1	1080



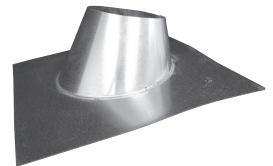
Kit includes:

- 1 – Rain Cap
- 1 – Storm Collar
- 1 – Adjustable Flashing
- 1 – Support Plate
- 1 – Support Ring
- 1 – Single Wall Base Tee



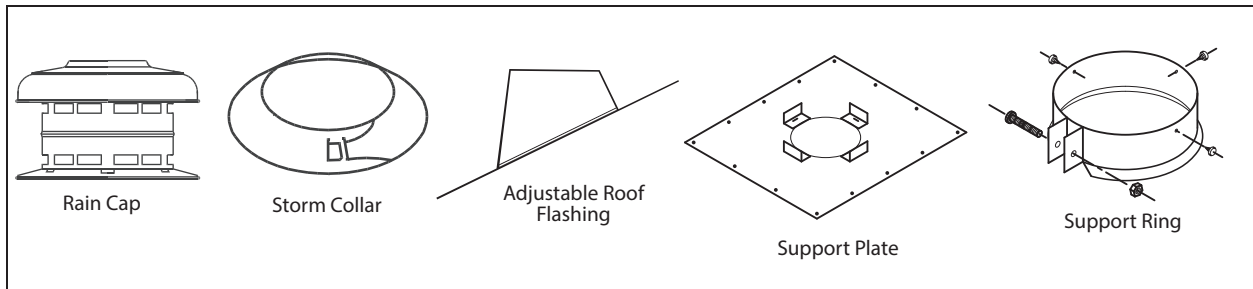
TYPE B GAS VENT KITS LESS DRAFT HOOD CONNECTOR

ITEM #	MODEL #	CTN/QTY	WT/100
200449	4GVK	1	490
210549	5GVK	1	530
210649	6GVK	1	605



Kit includes:

- 1 – Rain Cap
- 1 – Storm Collar
- 1 – Adjustable Flashing
- 1 – Support Plate
- 1 – Support Ring



We have custom capabilities to manufacture any sizes you may require. Contact factory for special sizes and configurations not listed.

– E.&O.E. – Subject to Change Without Notice – May Not Be Available At All Locations –



BUILDING PRODUCTS

MODEL E/R TYPE B GAS VENT 3" - 8"

WALL THIMBLES — ROUND PIPE

ITEM #	MODEL	SIZE (")	CTN/QTY	WT/100
614153	3RWT	3	12	133
614154	4RWT	4	12	133
614155	5RWT	5	12	150
614156	6RWT	6	12	167
614157	7RWT	7	*	200
614158	8RWT	8	*	200



*Product shipped individually.

TYPE B OVAL GAS VENT AND FITTINGS

4"

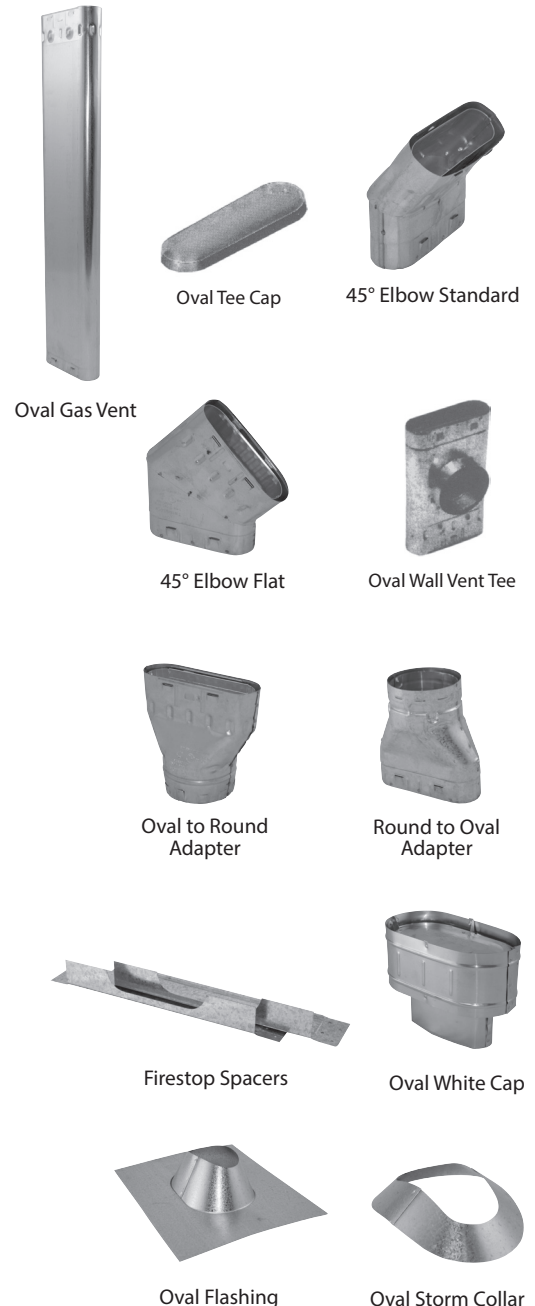
ITEM #	MODEL	DESCRIPTION	CTN/QTY	WT/100
614002	4OV5	4" x 5 ft. Oval Gas Vent	6	717
614004	4OV4	4" x 4 ft. Oval Gas Vent	6	600
614006	4OV3	4" x 3 ft. Oval Gas Vent	6	450
614008	4OV2	4" x 2 ft. Oval Gas Vent	6	300
614010	4OV18	4" x 18" Oval Gas Vent	6	233
614012	4OV12	4" x 12" Oval Gas Vent	6	150
614014	4OV6	4" x 6" Oval Gas Vent	6	83
614016	4OV12A	4" x 12" Oval Gas Vent Adj. Length	6	150
614018	4OVSL	4" x 45° Elbow – Standard	6	133
614020	4OVFL	4" x 45° Elbow – Flat	6	133
614036	4OVWVT	4" Wall Vent Tee	6	–
614022	4OV-RD	4" Oval to Round Adapter	6	100
614024	4RD-OV	4" Round to Oval Adapter	6	100
614031	4OVFS	4" Firestop Spacers 2" x 4"	25 pairs	148
614032	4OVFS6	4" Firestop Spacers 2" x 6"	*	–
614026	4OVAC	4" Oval White Cap	24	–
614030	4OVF	4" Oval Flashing	12	–
614028	4OVSC	4" Oval Storm Collar	24	–

*Product shipped individually.

5"

ITEM #	MODEL	DESCRIPTION	CTN/QTY	WT/100
614102	5OV5	5" x 5 ft. Oval Gas Vent	4	1025
614104	5OV4	5" x 4 ft. Oval Gas Vent	4	850
614106	5OV3	5" x 3 ft. Oval Gas Vent	6	616
614108	5OV2	5" x 2 ft. Oval Gas Vent	6	400
614110	5OV18	5" x 18" Oval Gas Vent	6	333
614112	5OV12	5" x 12" Oval Gas Vent	6	217
614114	5OV6	5" x 6" Oval Gas Vent	6	117
614116	5OV12A	5" x 12" Oval Gas Vent Adj. Length	6	217
614118	5OVSL	5" x 45° Elbow – Standard	6	117
614120	5OVFL	5" x 45° Elbow – Flat	6	167
614134	5OVT	5" Oval Wall Tee	6	–
614122	5OV-RD	5" Oval to Round Adapter	6	167
614124	5RD-OV	5" Round to Oval Adapter	6	167
614132	5OVFS6	5" Firestop Spacers 2" x 6"	*	–
614126	5OVAC	5" Oval White Cap	12	–
614130	5OVF	5" Oval Flashing	12	–
614128	5OVSC	5" Oval Storm Collar	*	–

*Product shipped individually.



– E.&O.E. – Subject to Change Without Notice – May Not Be Available At All Locations –

CEILING AND SIDEWALL DIFFUSERS

WG SERIES — ADJUST-A-VENT

Features:

- Dual flow: Air supply or exhaust
- Strong stainless steel grip clip, provides a snug fit
- Extra thick foam gasket, allows for tight seal on uneven surfaces
- Supplied lock and nut fine tunes air flow settings
- Extra long collar simplifies installation
- Made from high strength polymer resin
- WG401 vent is compatible with "squeeze elbow" accessory: EB4X90
- Easy to install and remove
- Very quiet during operation

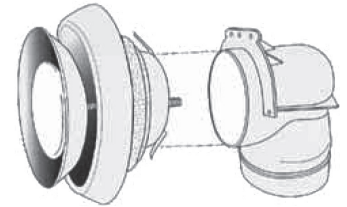
CA ITEM #	US ITEM #	MODEL	DESCRIPTION	SIZE (")	FREE AREA (SQ. IN.)	CTN/QTY
683104	683604	WG401	Short Base	4	5.5	25
683338	683838	WG401XB	Extended Base	4	–	25
683105	683605	WG501	Extended Base	5	9.9	25
683106	683606	WG601	Extended Base	6	11.4	25

COLOR: Snow White (01)

ACCESSORIES

CA ITEM #	US ITEM #	MODEL	DESCRIPTION	SIZE (")	CTN/QTY
683092	683592	EB4X90	Squeeze Elbow For WG401	4	25

COLOR: Black (11)



WG401

EBX490

Installation using Primex's "Squeeze Elbow"

WGX SERIES — TRUE-FLOW VENT

Features:

- Dual Flow: Air supply or exhaust
- 5 sizes
- Increased air flow
- 4 Wing adjustment screw to set air flow
- Snap-on trim ring included
- Nearly "True Size" inner cavity
- WGX4S vent is compatible with Primex's "squeeze elbow" EB4X90
- Easy to install and remove
- Secure friction fit
- Added security of mounting screws through base flange
- Trim ring snaps into place over flange to hide mounting screws

CA ITEM #	US ITEM #	MODEL	DESCRIPTION	SIZE	FREE AREA (SQ. IN.)	CTN/QTY
683340	683840	WGX4	Adjustable Air Diffuser	4" dia.	10.5	25
683342	683842	WGX5	Adjustable Air Diffuser	5" dia.	16.9	25
683344	683844	WGX6	Adjustable Air Diffuser	6" dia.	25.1	25
683346	683846	WGX7	Adjustable Air Diffuser	7" dia.	35.5	15
683348	683848	WGX8	Adjustable Air Diffuser	8" dia.	45.5	15

COLOR: Snow White (01)





BUILDING PRODUCTS

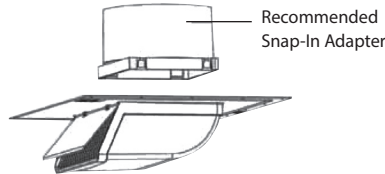
PRIMEX VENTING AND ACCESSORIES

SOFFIT VENTS

SV28 — SOFFIT INTAKE AND EXHAUST VENT

Features:

- Low profile one piece molded hood eliminates leaky joints and provides maximum water protection
- Optional screen and removable damper
- Available for intake or exhaust applications
- Snap-in adapters ensure a tight seal
- Quick and easy to install
- Made with UV protected polymer resin



Approximate Sizes:

Flange: 16-1/4" x 18-5/8"

Hood: 10-1/4" x 10-1/2" x 4-3/8"

CA ITEM #	US ITEM #	MODEL	DESCRIPTION	COLOR	FREE AREA (SQ. IN.)	CTN/QTY
683250	683750	SV2801	Soffit Vent	Snow White – 01	27.6	6
683251	683751	SV2823	Soffit Vent	Taupe – 23	27.6	6
683252	683752	SV2801NS	Soffit Vent	Snow White – 01	40.3	6
683253	683753	SV2823NS	Soffit Vent	Taupe – 23	40.3	6

NOTE: NS= No Bird Screen.

COLORS: Snow White (01), Taupe (23)

ACCESSORIES (SNAP-IN ADAPTER)

CA ITEM #	US ITEM #	MODEL	DESCRIPTION	FREE AREA (SQ. IN.)	CTN/QTY
683150	683650	RV28-4	Duct Adapter: 4"	12.6	30
683151	683651	RV28-5	Duct Adapter: 5"	19.6	30
683152	683652	RV28-6	Duct Adapter: 6"	27.6	25
683153	683653	RV28-7	Duct Adapter: 7"	27.6	25
683154	683654	RV28-8	Duct Adapter: 8"	27.6	18

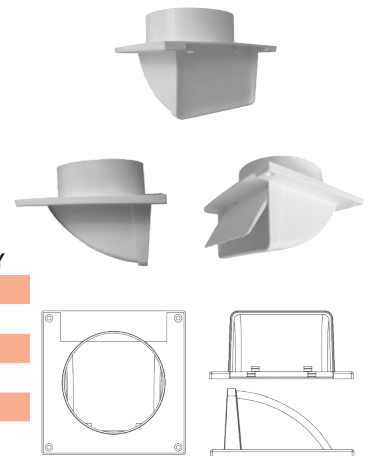
SV SERIES

Features:

- Low profile one piece design is less obtrusive than traditional vents
- For use in new or retrofit applications
- No need to penetrate the roof or walls
- No leaky seams on the vent hood
- Made from UV-stabilized polymer resin

CA ITEM #	US ITEM #	MODEL	DESCRIPTION	SIZE (")	COLOR	FREE AREA (SQ. IN.)	CTN/QTY
683127	683627	SV401	Soffit Vent with Damper	4" dia.	Snow White – 01	12.6	24
683146	683646	SV423	Soffit Vent with Damper	4" dia.	Taupe – 23	12.6	24
683128	683628	SV501	Soffit Vent with Damper	5" dia.	Snow White – 01	13.3	24
683129	683629	SV523	Soffit Vent with Damper	5" dia.	Taupe – 23	13.3	24
683180	683680	SV601	Soffit Vent with Damper	6" dia.	Snow White – 01	28.2	10
683181	683681	SV623	Soffit Vent with Damper	6" dia.	Taupe – 23	28.2	10

COLORS: Snow White (01), Taupe (23)



– E.&O.E. – Subject to Change Without Notice – May Not Be Available At All Locations –



BUILDING PRODUCTS

PRIMEX VENTING AND ACCESSORIES

SOFFIT VENTS *(cont'd)*

SV156 SERIES — SLAB DUCT SOFFIT VENT

Features:

- Molded one piece base
- Fits ECCODUCT™
- Removable damper for intake applications
- Manufactured to replace the standard metal discharge hoods currently available
- Low profile one piece molded hood eliminates leaky joints and maximizes water protection
- Made from UL listed VO polymer
- UV stabilized
- Hoods are easily cleaned or replaced

Approximate Sizes:

Flange: 6" × 15"
 Hood: 4-7/16" × 12-1/16"



CA ITEM #	US ITEM #	MODEL	DESCRIPTION	SIZE (")	FREE AREA (SQ. IN.)	CTN/QTY
683145	683645	SV156	Slab Duct Soffit Vent	4	27.8	24

COLORS: Snow White (01), Light Grey (31)

SV6 SERIES

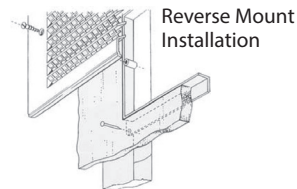
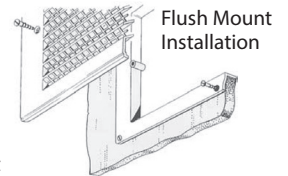
Features:

- Molded-in mesh screen
- Comes with 2 installation screws
- The SV6X9 may be installed with or without the access frame
- Made from UV stabilized polymer resin
- Easy to install



CA ITEM #	US ITEM #	MODEL	DESCRIPTION	SIZE (")	FREE AREA (SQ. IN.)	CTN/QTY
683121	683621	SV6X9-S	Rectangular Soffit Vent – Screen Vent	6 × 9	15.7	22
683122	683622	SV6X9-SF	Vent Kit: Screen and Access Frame	6 × 9	15.7	22

COLOR: Snow White (01)



– E.&O.E. – Subject to Change Without Notice – May Not Be Available At All Locations –



BUILDING PRODUCTS

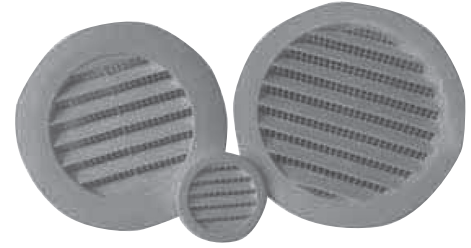
PRIMEX VENTING AND ACCESSORIES

SOFFIT VENTS *(cont'd)*

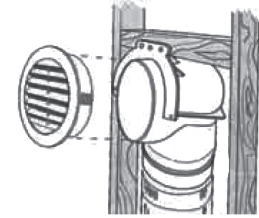
RDV SERIES

Features:

- Extra long collar for better hose or duct connection
- Molded-in mesh screen
- 4 available sizes
- Secure friction fit
- Made from UV stabilized polymer resin



CA ITEM #	US ITEM #	MODEL	DESCRIPTION	SIZE	FREE AREA (SQ. IN.)	CTN/QTY
683112	683612	RDV-2S	Round, Screened Soffit Vent	2" dia.	1.1	50
683114	683614	RDV-4S	Round, Screened Soffit Vent	4" dia.	4.0	70
683115	683615	RDV-5S	Round, Screened Soffit Vent	5" dia.	6.4	40
683116	683616	RDV-6S	Round, Screened Soffit Vent	6" dia.	10.3	30



4" Round Vent Installed with Primex's 'Squeeze Elbow' EBX490

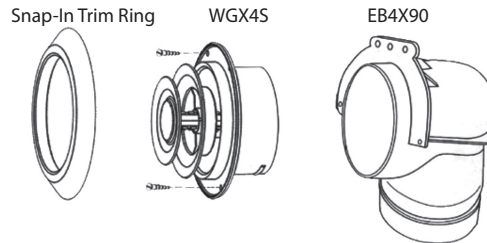
NOTE: RDV-4S can be installed with EB4X90 Squeeze Elbow.

COLOR: Snow White (01)

EB4X90 — 90° SQUEEZE ELBOW

Features:

- Impact resistant polymer resin. 4" x 90° plastic stack hood elbow
- Compatible with several 4" diameter Primex vents
- Designed to fit inside 2" x 4" walls
- Works well with WG4, WGX4S and RDV4
- Easy installation
- Quick rough-in



Installation using Primex's Squeeze Elbow



CA ITEM #	US ITEM #	MODEL	DESCRIPTION	DIA (")	CTN/QTY
683092	683592	EB4X90	Squeeze Elbow	4	25

COLOR: Black (11)

EB4X90 is compatible with Models listed below:

MODEL	DIAMETER (")	DESCRIPTION	CTN/QTY	FREE AREA
DV401	4	Dryer Vent	24	12.6
RDV4S	4	Round, Screened Soffit Vent	70	4.00
SV401	4	Soffit Vent	24	12.6
WG401	4	Air Diffuser	25	5.5
WGX4S	4	Adjust-A-Vent air diffuser with short base	25	10.5
WC401	4	Wall Cap	25	9.5

- E.&O.E. - Subject to Change Without Notice - May Not Be Available At All Locations -

ROOF VENTS

RVL28 SERIES / WC28 WALL CAP

Features:

- Enhances aesthetics with low profile that blends in with roof
- Keep inventories low with single hood size and separate 4 to 8 inch easy snap-in adapters
- Increases installation options because it can be used on steep slope roof (<60 degrees) and even as a wall cap (WC28)
- Eliminates leaky joints and maximizes water protection with one piece, molded hood
- Ensures watertight installation with over-sized flange
- Long lasting durability with UV protected, impact resistant polymer resin
- Simple intake/exhaust conversion via removable damper

Applications:

- Through-roof exhaust of dryers, bathroom and kitchen fans, stove vents
- Intake for furnaces, fresh air make-up, attic venting

Notes and Specs:

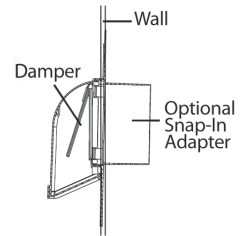
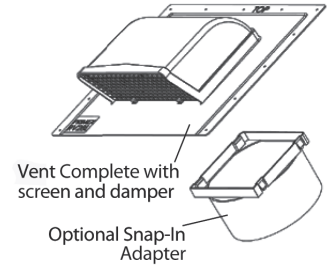
- For dryer applications Primex recommends “No bird screen (NS)” model
- For steep roof (<60 degrees) and vertical wall applications, order WC28 model
- Free Area = 27.8 sq. in. (179.4 square cm)
- Hood Size: 10-1/4" x 10-1/2" x 4-3/8"
- Flange Size: 16-1/4" x 18-5/8"
- Standard configuration of RVL28 and WC28 come with removable screen and damper
- RV28 adapters sold separately



RVL28 - Dark Grey



WC2801 - Snow White



WC28 - Wall Cap vent

CA ITEM #	US ITEM #	MODEL	DESCRIPTION	COLOR	FREE AREA (SQ. IN.)	CTN/QTY
683286	683786	RVL2825	Roof Mount: Intake/Exhaust Vent	Black – 25	27.8	6
683287	683787	RVL2828	Roof Mount: Intake/Exhaust Vent	Dark Grey – 28	27.8	6
683288	683788	RVL2868	Roof Mount: Intake/Exhaust Vent	Dark Brown – 68	27.8	6
683289	683789	RVL2828NS	Roof Mount: Intake Exhaust Vent	Dark Grey – 28	40.3	6
C683091	C683091	WC28	Wall Cap: Intake Exhaust Vent	–	27.8	6
C683091	C683091	WC28NS	Wall Cap: Intake Exhaust Vent	–	40.3	6

NOTE: NS = No Bird Screen.

COLORS: RVL28 – Black (25), Dark Brown (68), Light Grey (31), Dark Grey (28)
 WC28 – Light Grey (31), Snow White (01), Tan (45), Taupe (23)

ACCESSORIES (SNAP-IN ADAPTER)

CA ITEM #	US ITEM #	MODEL	DESCRIPTION	DIA (")	FREE AREA	CTN/QTY
683150	683650	RV28-4	Snap-In Adapter	4	12.6 sq. in.	30
683151	683651	RV28-5	Snap-In Adapter	5	19.6 sq. in.	30
683152	683652	RV28-6	Snap-In Adapter	6	27.8 sq. in./28.3 N.S.	25
683153	683653	RV28-7	Snap-In Adapter	7	27.8 sq. in./38.5 N.S.	25
683154	683654	RV28-8	Snap-In Adapter	8	27.8 sq. in./40.3 N.S.	18

– E.&O.E. – Subject to Change Without Notice – May Not Be Available At All Locations –



BUILDING PRODUCTS

PRIMEX VENTING AND ACCESSORIES

ROOF VENTS *(cont'd)*

RV20 SERIES — LOW PROFILE ROOF VENT

Features:

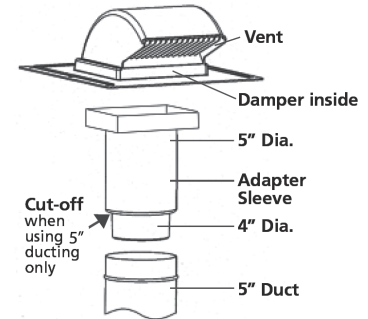
- Eliminates leaky joints and maximizes water protection with one piece molded hood
- Ensures watertight installation with over-sized flange
- Long lasting durability with UV protected, impact resistant polymer resin
- Compatible with 4 or 5 inch ducting with included RV45 easy snap-in adapter
- Simple intake/exhaust conversion via removable damper
- Quick and easy installation with installer-friendly packaging (i.e. vent/adaptor bagged together)

Applications:

- Through-roof exhaust of dryers, bathroom and kitchen fans, stove vents
- Intake for furnaces, fresh air make-up, attic venting

Notes and Specs:

- For dryer applications Primex recommends "No bird screen (NS)" model
- Free area = 20 sq. in. (129 square cm)
- Hood Size: 6.5" x 6.88" x 4.88"
- Standard configuration of RV20 Kit comes with screen, damper and RV45 Adapter



CA ITEM #	US ITEM #	MODEL	DESCRIPTION	COLOR	FREE AREA (SQ. IN.)	CTN/QTY
683167	683667	RV2025KIT	Roof Mount: Intake/Exhaust Vent	Black – 25	20.9	10
683168	683668	RV2028KIT	Roof Mount: Intake/Exhaust Vent	Dark Grey – 28	20.9	10
683169	683669	RV2031KIT	Roof Mount: Intake/Exhaust Vent	Light Grey – 31	20.9	10
683170	683670	RV2045KIT	Roof Mount: Intake/Exhaust Vent	Tan – 45	20.9	10
683171	683671	RV2068KIT	Roof Mount: Intake/Exhaust Vent	Dark Brown – 68	20.9	10
683172	683672	RV2025KITNS	Roof Mount: Intake/Exhaust Vent	Black – 25	21.4	10
683174	683674	RV2028KITNS	Roof Mount: Intake/Exhaust Vent	Dark Grey – 28	21.4	10
C683091	C683091	RV2031KITNS	Roof Mount: Intake/Exhaust Vent	Light Grey – 31	21.4	10
C683091	C683091	RV2045KITNS	Roof Mount: Intake/Exhaust Vent	Tan – 45	21.4	10
683173	683673	RV2068KITNS	Roof Mount: Intake/Exhaust Vent	Dark Brown – 68	21.4	10

NOTES: NS = No Bird Screen.

Flexible duct not included with kit.

COLORS: Black (25), Dark Brown (68), Dark Grey (28), Light Grey (31), Tan (45)

– E.&O.E. – Subject to Change Without Notice – May Not Be Available At All Locations –

ROOF VENTS (cont'd)

RV28 SERIES — GOOSE NECK ROOF VENT

Features:

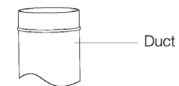
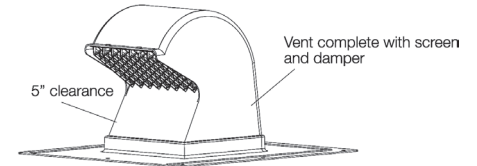
- Provides all-weather ventilation with 5" of additional height for snow clearance
- Maximize inventory turns with single hood size and separate 4 to 8 inch easy snap-in adapters
- Eliminates leaky joints and maximizes water protection with one piece, molded hood
- Ensures watertight installation with over-sized flange
- Long lasting durability with UV protected, impact resistant polymer resin
- Simple intake/exhaust conversion via removable damper

Applications:

- Through-roof exhaust of dryers, bathroom and kitchen fans, stove vents
- Intake for furnaces, fresh air make-up, attic venting

Notes and Specs:

- For dryer applications Primex recommends "No bird screen (NS)" model
- Free Area = 26.5 sq. in. (171 square cm)
- Hood Size: 7.5" x 7.25" x 9.38"
- Standard configuration of RV28 comes with removable screen and damper
- RV28 adapters sold separately



CA ITEM #	US ITEM #	MODEL	DESCRIPTION	COLOR	FREE AREA (SQ. IN.)	CTN/QTY
683140	683640	RV2825	Exhaust Vent with Screen	Black – 25	26.5	5
683143	683643	RV2828	Exhaust Vent with Screen	Dark Grey – 28	26.5	5
683142	683642	RV2831	Exhaust Vent with Screen	Light Grey – 31	26.5	5
683144	683644	RV2868	Exhaust Vent with Screen	Dark Brown – 68	26.5	5

COLORS: Black (25), Dark Brown (68), Dark Grey (28), Light Grey (31), Tan (45)

ACCESSORIES (SNAP-IN ADAPTER)

CA ITEM #	US ITEM #	MODEL	DESCRIPTION	DIA (")	FREE AREA	CTN/QTY
683150	683650	RV28-4	Snap-In Adapter	4	12.6 sq. in.	30
683151	683651	RV28-5	Snap-In Adapter	5	19.6 sq. in.	30
683152	683652	RV28-6	Snap-In Adapter	6	26.5 sq. in./28.3 N.S.	25
683153	683653	RV28-7	Snap-In Adapter	7	26.5 sq. in./38.5 N.S.	25
683154	683654	RV28-8	Snap-In Adapter	8	26.5 sq. in./40.3 N.S.	18

– E.&O.E. – Subject to Change Without Notice – May Not Be Available At All Locations –

WALL VENTS — EXTERIOR

WC SERIES — INTAKE AND EXHAUST VENTS

Features:

- Compatible with rain screen applications via extended base that compensates for cavity between wall and cladding
- Eliminates leaky joints and maximizes water protection with one piece molded hood and built-in drip edge
- Integrity of the “Building Envelope” is maintained via removable hood that makes cleaning or replacement simple
- Long lasting durability with UV protected, impact resistant, polymer resin
- Ensures watertight installation with over-sized flange

Applications:

- Through-wall exhaust of dryers, bathroom and kitchen fans, stove vents
- Intake for furnaces, fresh air make-up

Notes and Specs:

- For dryer applications Primex recommends “No bird screen (NS)” model
- Removable damper makes conversion of intake/exhaust simple



WC631 - Light Grey



WC631 - Side View



WC6 - Installed



WC4XXNS

CA ITEM #	US ITEM #	MODEL	COLLAR SIZE (")	DUCT DIA SIZE (")	COLOR	FREE AREA (SQ. IN.)	CTN/QTY
683094	683594	WC401	4	4	Snow White – 01	9.5	25
683093	683593	WC401NS	4	4	Snow White – 01	12.6	25
683133	683633	WC423	4	4	Taupe – 23	9.5	25
683157	683657	WC423NS	4	4	Taupe – 23	12.6	25
683109	683609	WC425	4	4	Black – 25	9.5	25
683155	683655	WC425NS	4	4	Black – 25	12.6	25
683126	683626	WC428	4	4	Dark Grey – 28	9.5	25
683095	683595	WC431	4	4	Light Grey – 31	9.5	25
683131	683631	WC431NS	4	4	Light Grey – 31	12.6	25
683096	683596	WC445	4	4	Tan – 45	9.5	25
683156	683656	WC445NS	4	4	Tan – 45	12.6	25
683161	683661	WC468	4	4	Dark Brown – 68	9.5	25
683235	683735	WC4P	4	4	Primed	9.5	–
683097	683597	WC501	5	5	Snow White – 01	19.6	10
683103	683603	WC501NS	5	5	Snow White – 01	19.6	10
683134	683634	WC523	5	5	Taupe – 23	19.6	10
683160	683660	WC523NS	5	5	Taupe – 23	19.6	10
683110	683610	WC525	5	5	Black – 25	19.6	10
683135	683635	WC525NS	5	5	Black – 25	19.6	10
683139	683639	WC528	5	5	Dark Grey – 28	19.6	10
683098	683598	WC531	5	5	Light Grey – 31	19.6	10
683159	683659	WC531NS	5	5	Light Grey – 31	19.6	10
683099	683599	WC545	5	5	Tan – 45	19.6	10
683158	683658	WC545NS	5	5	Tan – 45	19.6	10
683132	683632	WC568/WC568NS	5	5	Dark Brown – 68	19.6	10
683236	683736	WC5P	5	5	Primed	19.6	–
683100	683600	WC601	6	6	Snow White – 01	28.3	10
683107	683607	WC601NS	6	6	Snow White – 01	28.3	10

NOTES: All vents come standard with a coarse bird screen.
NS = No Screen

(cont'd on next page)

COLORS: Snow White (01), Light Grey (31), Tan (45), Taupe (23), Dark Brown (68), Black (25), Dark Grey (28)



BUILDING PRODUCTS

PRIMEX VENTING AND ACCESSORIES

WALL VENTS — EXTERIOR *(cont'd)*

WC SERIES — INTAKE AND EXHAUST VENTS *(cont'd)*

CA ITEM #	US ITEM #	MODEL	COLLAR SIZE (")	DUCT DIA SIZE (")	COLOR	FREE AREA (SQ. IN.)	CTN/QTY
683136	683636	WC623	6	6	Taupe – 23	28.3	10
683147	683647	WC623NS	6	6	Taupe – 23	28.3	10
683111	683611	WC625	6	6	Black – 25	28.3	10
683141	683641	WC625NS	6	6	Black – 25	28.3	10
683120	683620	WC628	6	6	Dark Grey – 28	28.3	10
683149	683649	WC628NS	6	6	Dark Grey – 28	28.3	10
683101	683601	WC631/WC631NS	6	6	Light Grey – 31	28.3	10
683102	683602	WC645/WC645NS	6	6	Tan – 45	28.3	10
683162	683662	WC668	6	6	Dark Brown – 68	28.3	10
683237	683737	WC6P	6	6	Primed	28.3	–
683117	683617	WC701/WC701NS	7	7	Snow White – 01	38.5	2
683137	683637	WC723/WC723NS	7	7	Taupe – 23	38.5	2
683118	683618	WC731/WC731NS	7	7	Light Grey – 31	38.5	2
683119	683619	WC745/WC745NS	7	7	Tan – 45	38.5	2
683238	683738	WC7P	7	7	Primed	38.5	–
683123	683623	WC801/WC801NS	8	8	Snow White – 01	46.8	2
683138	683638	WC823/WC823NS	8	8	Taupe – 23	46.8	2
683108	683608	WC825/WC825NS	8	8	Black – 25	46.8	–
683124	683624	WC831/WC831NS	8	8	Light Grey – 23	46.8	2
683125	683625	WC845/WC845NS	8	8	Tan – 45	46.8	2
683239	683739	WC8P	8	8	Primed	46.8	–

NOTE: All vents come standard with a coarse bird screen.
NS = No Screen

COLORS: Snow White (01), Light Grey (31), Tan (45), Taupe (23), Dark Brown (68), Black (25), Dark Grey (28)

– E.&O.E. – Subject to Change Without Notice – May Not Be Available At All Locations –



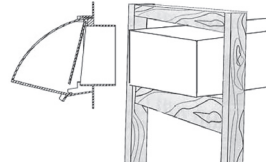
BUILDING PRODUCTS

PRIMEX VENTING AND ACCESSORIES

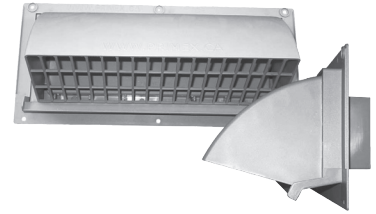
RANGE HOOD VENTS

Features:

- UV stabilized, polymer resin
- Cut away screen option
- Removable damper
- Adaptable for intake or exhaust applications
- Built in drip edge
- Ideal for use in rain screen systems
- Will not dent or rust



WC310
Installed Into Ducting



3" x 10" WALL CAP VENT — Use with 3" x 10" Register Boot or Slab Duct

CA ITEM #	US ITEM #	MODEL	COLOR	FREE AREA (SQ. IN.)	CTN/QTY
683193	683693	WC31001	Snow White – 01	30.2	18
683194	683694	WC31025	Black – 25	30.2	18
683195	683695	WC31031	Light Grey – 31	30.2	18
683196	683696	WC31045	Tan – 45	30.2	18
683197	683697	WC31068	Dark Brown – 68	30.2	18

COLORS: Snow White (01), Light Grey (31), Tan (45), Dark Brown (68), Taupe (23), Black (25)

3-1/4" x 10" RANGE HOOD VENT — Use With 3-1/4" x 10" Kitchen Transition Boot or Slab Duct

CA ITEM #	US ITEM #	MODEL	COLOR	FREE AREA (SQ. IN.)	CTN/QTY
683188	683688	WC31001K	Snow White – 01	30.2	18
683189	683689	WC31025K	Black – 25	30.2	18
683190	683690	WC31031K	Light Grey – 31	30.2	18
683191	683691	WC31045K	Tan – 45	30.2	18
683192	683692	WC31068K	Dark Brown – 68	30.2	18

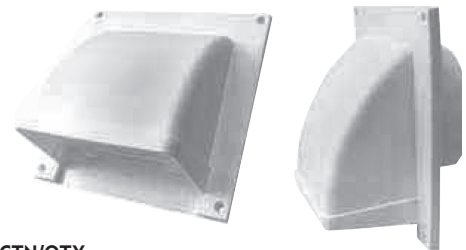
COLORS: Snow White (01), Light Grey (31), Tan (45), Dark Brown (68), Taupe (23), Black (25)

EXHAUST / DRYER VENTS

DV4 SERIES — DRYER / EXHAUST VENT (NO SCREEN)

Features:

- Low profile one piece design
- Accommodates 4" ducting
- No leaky seams on the vent hood
- Made from UV stabilized polymer resin



CA ITEM #	US ITEM #	MODEL	DESCRIPTION	SIZE (")	COLOR	CTN/QTY
683240	683740	DV401	Dryer/Exhaust Vent	4	Snow White – 01	24
683241	683741	DV423	Dryer/Exhaust Vent	4	Taupe – 23	24

COLORS: Snow White (01), Taupe (23)

– E.&O.E. – Subject to Change Without Notice – May Not Be Available At All Locations –



BUILDING PRODUCTS

PRIMEX VENTING AND ACCESSORIES

INTAKE AND EXHAUST VENTS

WCD AND WCT SERIES — DOUBLE AND TRIPLE INTAKE AND EXHAUST VENTS

Features:

- Available with screen or full opening
- Vents can be ordered with or without screen
- Quick and easy to install
- Adaptable for intake or exhaust applications
- Wall cap vents include a drip edge on a flanged base to help guard against rain
- The hood is removable for cleaning or replacement and for line servicing without compromising the “Building Envelope”
- Assembled base
- Removable damper for intake or exhaust applications
- Made with UV protected polymer resin
- Highly resistant to mechanical impact



CA ITEM #	US ITEM #	MODEL	DESCRIPTION	DIA (")	COLOR	FREE AREA (SQ. IN.)	CTN/QTY
683270	683770	WCD501	Double Wall Cap	5	Snow White – 01	2 × 19.6	6
683273	683773	WCD523	Double Wall Cap	5	Taupe – 23	2 × 19.6	6
683271	683771	WCD531	Double Wall Cap	5	Light Grey – 31	2 × 19.6	6
683272	683772	WCD545	Double Wall Cap	5	Tan – 45	2 × 19.6	6
683274	683774	WCD601	Double Wall Cap	6	Snow White – 01	3 × 25	6
683277	683777	WCD623	Double Wall Cap	6	Taupe – 23	3 × 25	6
683275	683775	WCD631	Double Wall Cap	6	Light Grey – 31	3 × 25	6
683276	683776	WCD645	Double Wall Cap	6	Tan – 45	3 × 25	6
683278	683778	WCT501	Triple Wall Cap	5	Snow White – 01	2 × 19.6	1
683281	683781	WCT523	Triple Wall Cap	5	Taupe – 23	2 × 19.6	1
683279	683779	WCT531	Triple Wall Cap	5	Light Grey – 31	2 × 19.6	1
683280	683780	WCT545	Triple Wall Cap	5	Tan – 45	2 × 19.6	1
683282	683782	WCT601	Triple Wall Cap	6	Snow White – 01	3 × 25	1
683285	683785	WCT623	Triple Wall Cap	6	Taupe – 23	3 × 25	1
683283	683783	WCT631	Triple Wall Cap	6	Light Grey – 31	3 × 25	1
683284	683784	WCT645	Triple Wall Cap	6	Tan – 45	3 × 25	1

COLORS: Black (25), Light Grey (31), Snow White (01), Tan (45), Taupe (23)

– E.&O.E. – Subject to Change Without Notice – May Not Be Available At All Locations –



BUILDING PRODUCTS

PRIMEX VENTING AND ACCESSORIES

INTAKE AND EXHAUST VENTS *(cont'd)*

WCL SERIES — LOW PROFILE INTAKE AND EXHAUST VENT

Features:

- Attractive low profile design
- Fits 7" or 8" diameter ducts
- Bird Screen
- Quick and easy to install
- Adaptable for intake or exhaust applications
- Incorporated drip edge for superior rain water management
- Removable hood for line servicing without disturbing "Building Envelope"
- Molded one piece base
- Removable dampers for intake or exhaust applications
- Made with UV proteted polymer resin
- Highly resistant to mechanical impact



Low Profile Cap

CA ITEM #	US ITEM #	MODEL	DESCRIPTION	DIA (")	COLOR	FREE AREA (SQ. IN.)	CTN/QTY
683260	683760	WCL701	Low Profile Wall Cap	7	Snow White – 01	38.5	4
683263	683763	WCL723	Low Profile Wall Cap	7	Taupe – 23	38.5	4
683261	683761	WCL731	Low Profile Wall Cap	7	Light Grey – 31	38.5	4
683262	683762	WCL745	Low Profile Wall Cap	7	Tan – 45	38.5	4
683264	683764	WCL801	Low Profile Wall Cap	8	Snow White – 01	50.3	4
683267	683767	WCL823	Low Profile Wall Cap	8	Taupe – 23	50.3	4
683265	683765	WCL831	Low Profile Wall Cap	8	Light Grey – 31	50.3	4
683266	683766	WCL845	Low Profile Wall Cap	8	Tan – 45	50.3	4

COLORS: Snow White (01), Light Grey (31), Tan (45), Taupe (23), Black (25)

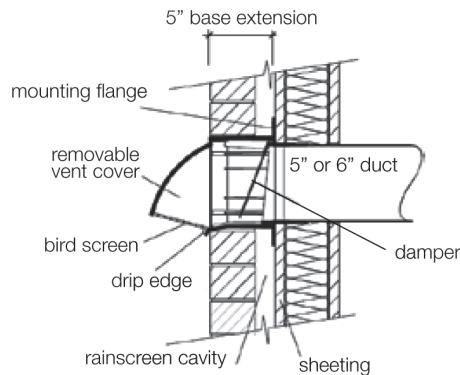
– E.&O.E. – Subject to Change Without Notice – May Not Be Available At All Locations –

EXTENDED WALL CAPS

WCX — DOME COVER

Features:

- Molded one piece base
- Incorporated drip edge for superior rain water management
- Suitable for brick and masonry walls
- Built-in bird screen
- Removable hood for line servicing without disturbing "Building Envelope"
- Removable damper for intake applications
- Available in 5" and 6" models
- Easy to install
- Made with UV protected polymer resin
- Highly resistant to mechanical impact



CA ITEM #	US ITEM #	MODEL	DESCRIPTION	SIZE (")	COLOR	FREE AREA (SQ. IN.)	CTN/QTY
683244	683744	WCX501	Extended Wall Cap	5	Snow White – 01	19.6	6
683249	683749	WCX528	Extended Wall Cap	5	Dark Grey – 28	19.6	6
683245	683745	WCX568	Extended Wall Cap	5	Dark Brown – 68	19.6	6
683246	683746	WCX523	Extended Wall Cap	5	Taupe – 23	19.6	6
683247	683747	WCX531	Extended Wall Cap	5	Light Grey – 31	19.6	6
683248	683748	WCX545	Extended Wall Cap	5	Tan – 45	19.6	6
683254	683754	WCX601	Extended Wall Cap	6	Snow White – 01	28.3	6
683259	683759	WCX628	Extended Wall Cap	6	Dark Grey – 28	28.3	6
683255	683755	WCX668	Extended Wall Cap	6	Dark Brown – 68	28.3	6
683256	683756	WCX623	Extended Wall Cap	6	Taupe – 23	28.3	6
683257	683757	WCX631	Extended Wall Cap	6	Light Grey – 31	28.3	6
683258	683758	WCX645	Extended Wall Cap	6	Tan – 45	28.3	6

COLORS: Dark Brown (68), Light Grey (31), Snow White (01), Tan (45), Taupe (23), Dark Grey (28)

WCXF — FLAT COVER

Features:

- Molded one piece base
- Incorporated drip edge for superior rain water management
- Suitable for brick and masonry walls
- Flat screen for flush mount applications
- Built-in bird screen
- Removable screen for line servicing without disturbing "Building Envelope"
- Removable damper for intake applications
- Available in 5" and 6" models
- Made with UV protected polymer resin
- Highly resistant to mechanical impact
- Easy to install



CA ITEM #	US ITEM #	MODEL	DESCRIPTION	SIZE (")	COLOR	FREE AREA (SQ. IN.)	CTN/QTY
683290	683790	WCXF501	Extended Wall Cap	5	Snow White – 01	19.6	9
683291	683791	WCXF568	Extended Wall Cap	5	Dark Brown – 68	19.6	9
683292	683792	WCXF523	Extended Wall Cap	5	Taupe – 23	19.6	9
683293	683793	WCXF531	Extended Wall Cap	5	Light Grey – 31	19.6	9
683294	683794	WCXF545	Extended Wall Cap	5	Tan – 45	19.6	9
683295	683795	WCXF601	Extended Wall Cap	6	Snow White – 01	28.3	9
683296	683796	WCXF668	Extended Wall Cap	6	Dark Brown – 48	28.3	9
683297	683797	WCXF623	Extended Wall Cap	6	Taupe – 23	28.3	9
683298	683798	WCXF631	Extended Wall Cap	6	Light Grey – 31	28.3	9
683299	683799	WCXF645	Extended Wall Cap	6	Tan – 45	28.3	9

COLORS: Dark Brown (68), Light Grey (31), Snow White (01), Tan (45), Taupe (23)

– E.&O.E. – Subject to Change Without Notice – May Not Be Available At All Locations –

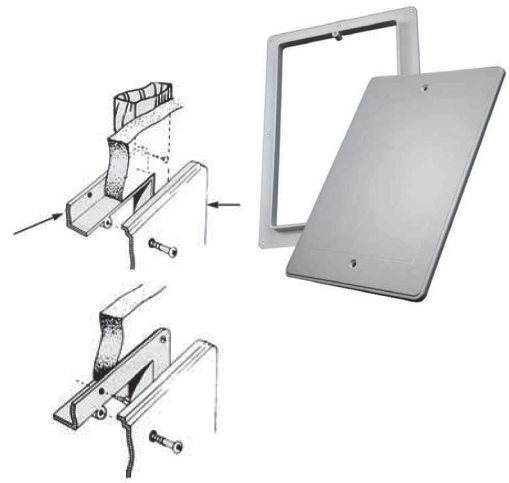
ACCESS PANELS

Features:

- Reversible frame
- 6" x 9" access opening
- Comes with 2 installation screws
- Low profile design. Ample room to work in
- Easy installation
- Made from high strength, polymer resin

CA ITEM #	US ITEM #	MODEL	DESCRIPTION	SIZE (")	CTN/QTY
683130	683630	AP6X9SW	Access Panel Kit Includes cover and frame	6 x 9	25
C683091	C683091	AP6X9	Panel Cover Only Frame not included	6 x 9	25

COLOR: Snow White (01)



Typical Installation

TRIM PLATES — 501 SERIES

Features:

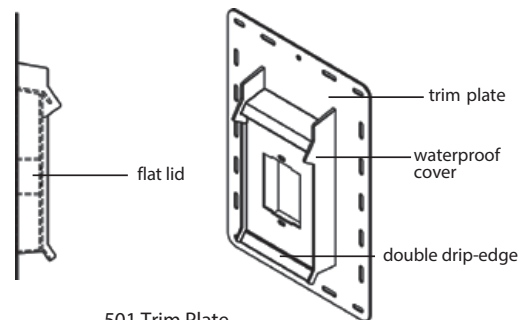
- Rainscreen compatible, double drip-edge finishing plates for electrical, plumbing and custom applications
- Excellent for door bells, HVAC pipes, electrical outlets, water pipes
- Eliminates leaky joints and maximizes water protection with one-piece mold and built-in drip edges
- Integrity of the building envelope is maintained with seamless mold
- Long lasting durability with UV-protected, impact resistant, polymer resin
- Reduces chance of injury with no sharp corners or metal edges that can cut or scrape
- Three versions – 501B (blank, custom fit)
- 501 Series meets stringent requirements of the Alberta Building code that pertains to the "trimming out" of building envelope penetrations
- Saves time without having to form drip edge in the field

CA ITEM #	US ITEM #	MODEL	DESCRIPTION	SIZE (")	CTN/QTY
683320	683820	501B	Outdoor Bells/Unfinished Outlet	8.5 x 12 x 1.25	20

COLOR: Snow White (01)



501B



501 Trim Plate

- E.&O.E. - Subject to Change Without Notice - May Not Be Available At All Locations -



www.eccomfg.com

Langley Distribution

19860 Fraser Highway
Langley, British Columbia
Canada V3A 4C9

Phone: 604-530-4151
Toll Free: 1-877-955-4805
Fax: 604-533-9335

Calgary Distribution

21 – 11150 38th Street, S.E.
Calgary, Alberta
Canada T2C 2Z6

Phone: 403-720-0895
Toll Free: 1-877-955-4815
Fax: 403-720-0897

Kent Distribution

20001 87th Ave. S, Bldg E
Kent, Washington
USA 98031

Phone: 253-872-3721
Toll Free: 1-800-207-6859
Fax: 253-872-3724

DUCTMATE PRODUCTS



ECCO™ is proud to be a member of:



SMACNA
Sheet Metal and Air
Conditioning Contractors'
National Association
www.smacna.org



HRAI
Heating, Refrigeration and
Air Conditioning
Institute of Canada
www.hrai.ca



HARDI
Heating, Air-conditioning
& Refrigeration
Distributors International
www.hardinet.org



ADI
Air
Distribution
Institute
www.steelduct.org



AD
Affiliated Distributors™
www.adhq.com



CME
Canadian
Manufacturers &
Exporters
www.cme-mec.ca



SPIDA
Spiral Duct
Manufacturers
Association
www.spida.org



INDEX

ACCESSORIES
SYSTEM '25' AND '35'
SYSTEM '45'
TDC AND TDF CLEATS
TDC AND TDF CORNERS
CLUTCHER SYSTEM
CLUTCHER TOOLS
DUCT SYSTEM ACCESSORIES
ACCESS DOORS — THE "SANDWICH" FOR ROUND AND RECTANGULAR DUCT
QUICK SLEEVE
DUCTMATE RECTANGULAR DUCT CONNECTOR SYSTEMS
SYSTEM '25' — GALVANIZED
SYSTEM '35' — GALVANIZED
SYSTEM '45' — GALVANIZED
ISOLATION HANGER TYPE SI
MOISTURE DRAINS AND CAPS
PROGUARD — PROTECTIVE DUCT COVERING
ROUND DUCT STRAP BRACKET TYPE BA
SPIRALMATE — ROUND DUCT CONNECTOR SYSTEM
TRAPEZE DUCT HANGER, ISOLATION PADS, AND TRAPEZE BEAM CLAMPS
ULTIMATE ACCESS DOORS — BLACK IRON
WIRE ROPE

LEGEND
ABBREVIATIONS: CTN/QTY = Carton Quantity
PCS/BNDL = Pieces per Bundle

DUCTMATE RECTANGULAR DUCT CONNECTOR SYSTEMS

SYSTEM '25'® — GALVANIZED

ITEM #	MODEL	DESCRIPTION	CTN/QTY
715210	DM25	DM25 Angle 20 ft length	3,000/bndl
715212	10004	DC25 Corner with Clip (no bolt required)	250

SYSTEM '35'® — GALVANIZED

ITEM #	MODEL	DESCRIPTION	CTN/QTY
715200	DM35	DM35 Angle 20 ft length	3,000/bndl
715202	10001	DCIII B Corner with Clip (no bolt required)	250

NOTE: System 35 is also available in other material.

SYSTEM '45'® — GALVANIZED

ITEM #	MODEL	DESCRIPTION	CTN/QTY
715214	DM45	DM45 Angle 19 ft length — 18 GA SMACNA Class K	—
715216	10011	DC45 Plated Bolt Corners	100

ACCESSORIES

SYSTEM '25'® AND '35'®

ITEM #	MODEL	DESCRIPTION	CTN/QTY
715250	10005	6" Galvanized Cleat	500 pcs
715260	10955	#440 Butyl Gasket Tape (3/16" x 5/8" x 25 ft/roll)	500 ft
715262	10906	Neoprene Gasket Tape (5/16" x 3/4" x 50 ft/roll)	750 ft
715270	12200	Cleater I Tool	1
715272	12202	Cleater II Tool	1
715274	12206	Corner Alignment Tool	1



CORNER ALIGNMENT TOOL
Modified vice grip can facilitate installation of corner clips.

SYSTEM '45'®

ITEM #	MODEL	DESCRIPTION	CTN/QTY
715218	10012	DM45 Bolt Cleat — Plated — 10 GA	250 pcs
715266	10909	Neoprene Gasket — 5/16" x 1"	800 ft
715264	10954	440 Gasket — 3/16" x 1"	400 ft



CLEATER
Ideal tool to attach cleat to Ductmate 25/35 Flange Joint where space is not a consideration. Use Cleater II in conjunction with 5/8" deep-wall socket, extensions and wrench (not included) to attach cleat to Ductmate 25/35 in hard to reach places.

TDC AND TDF CLEATS

ITEM #	MODEL	DESCRIPTION	CTN/QTY
715222	T6CGA	TDC Cleat — 6" Galvanized	500 pcs
715231	11908	TDF Cleat — 6" Galvanized	500 pcs
715230	12149	TDC Universal Cleat — 6" Galvanized (Versa Cleat)	250 pcs

TDC AND TDF CORNERS

ITEM #	MODEL	DESCRIPTION	CTN/QTY
715224	ACGA	TDC Corner — Galvanized	250
715233	CMFGA	TDF Corner — Galvanized Stackable	250
715232	FGA	TDF Corner — Galvanized	250
715235	CMCGA	TDC Cornermatic* Corner — Galvanized Stackable	250

*Cornermatic is a trademark of Systemation, Inc. Ductmate is in no way affiliated with Systemation, Inc.

SPIRALMATE® — ROUND DUCT CONNECTOR SYSTEM

SMALL PROFILE 10" – 38"

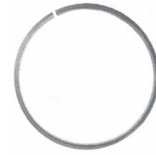
ITEM #	MODEL	DESCRIPTION	CTN/QTY
715610	14010	10" Spiralmate Galvanized Ring	1
715612	14012	12" Spiralmate Galvanized Ring	1
715614	14014	14" Spiralmate Galvanized Ring	1
715616	14016	16" Spiralmate Galvanized Ring	1
715618	14018	18" Spiralmate Galvanized Ring	1
715620	14020	20" Spiralmate Galvanized Ring	1
715622	14022	22" Spiralmate Galvanized Ring	1
715624	14024	24" Spiralmate Galvanized Ring	1
715626	14026	26" Spiralmate Galvanized Ring	1
715628	14028	28" Spiralmate Galvanized Ring	1
715630	14030	30" Spiralmate Galvanized Ring	1
715632	14032	32" Spiralmate Galvanized Ring	1
715634	14034	34" Spiralmate Galvanized Ring	1
715636	14036	36" Spiralmate Galvanized Ring	1
715638	14038	38" Spiralmate Galvanized Ring	1



Spiralmate Round Duct Connector System



Closure Ring



Flange

LARGE PROFILE 30" – 72"

ITEM #	MODEL	DESCRIPTION	CTN/QTY
715640	15040	40" Spiralmate Galvanized Ring	1
715642	15042	42" Spiralmate Galvanized Ring	1
715644	15044	44" Spiralmate Galvanized Ring	1
715646	15046	46" Spiralmate Galvanized Ring	1
715648	15048	48" Spiralmate Galvanized Ring	1
715650	15050	50" Spiralmate Galvanized Ring	1
715652	15052	52" Spiralmate Galvanized Ring	1
715654	15054	54" Spiralmate Galvanized Ring	1
715656	15056	56" Spiralmate Galvanized Ring	1
715658	15058	58" Spiralmate Galvanized Ring	1
715660	15060	60" Spiralmate Galvanized Ring	1

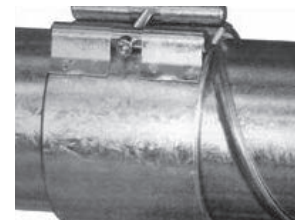
NOTE: Larger diameters available upon request.

DUCT SYSTEM ACCESSORIES

QUICK SLEEVE

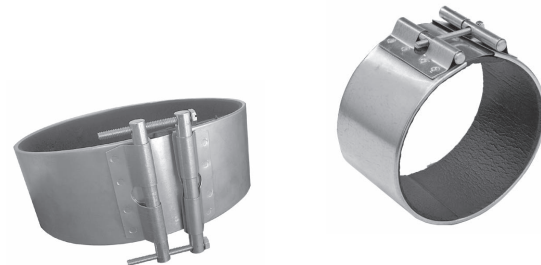
The perfect, airtight connection for round or spiral duct 3" through 12".

Tighten one bolt to complete the connection. Duct can be disassembled and reassembled. No end preparation necessary. No protrusions in the airstream. Ideal for ducts carrying dust, etc.



Quick Sleeve Round Duct Connector — with FDA Gasket

ITEM #	MODEL	DESCRIPTION
715853	QSFDA3GA	3" Quick-Sleeve – Galvanized
715854	QSFDA4GA	4" Quick-Sleeve – Galvanized
715855	QSFDA5GA	5" Quick-Sleeve – Galvanized
715856	QSFDA6GA	6" Quick-Sleeve – Galvanized
715857	QSFDA7GA	7" Quick-Sleeve – Galvanized
715858	QSFDA8GA	8" Quick-Sleeve – Galvanized
715859	QSFDA9GA	9" Quick-Sleeve – Galvanized
715860	QSFDA10GA	10" Quick-Sleeve – Galvanized
715862	QSFDA12GA	12" Quick-Sleeve – Galvanized
715864	QSFDA14GA	14" Quick-Sleeve – Galvanized



– E.&O.E. – Subject to Change Without Notice – May Not Be Available At All Locations –

DUCT SYSTEM ACCESSORIES *(cont'd)*

ACCESS DOORS — THE “SANDWICH” FOR ROUND AND RECTANGULAR DUCT

- Insulated or uninsulated
- Smooth interior finish on insulated doors
- Tested to 20" W.G. with no leakage noted
- Tested to negative 10" W.G. with no leakage noted

Please specify when ordering doors for negative pressure applications.
Insulated doors are recommended for negative pressure applications.



Rectangular Duct — Insulated — Galvanized

ITEM #	MODEL	SIZE (")
715298	DI106GA	10 × 6
715300	DI128GA	12 × 8
715302	DI1814GA	18 × 14
715304	DI2418GA	24 × 18

NOTE: Also available without insulation.

Round Duct — Insulated — Galvanized

ITEM #	MODEL	SIZE (")	ROUND DUCT SIZE (")
715358	DRI846GA	4 × 8	5 – 6
715360	DRI849GA	4 × 8	7 – 9
715362	DRI8411GA	4 × 8	10 – 11
715364	DRI8414GA	4 × 8	12 – 14
715372	DRI12811GA	8 × 12	10 – 11
715374	DRI12814GA	8 × 12	12 – 14
715376	DRI12816GA	8 × 12	15 – 16
715378	DRI12818GA	8 × 12	17 – 18
715380	DRI12820GA	8 × 12	19 – 20
715390	DRI161216GA	12 × 16	15 – 16
715392	DRI161218GA	12 × 16	17 – 18
715394	DRI161220GA	12 × 16	19 – 20
715396	DRI161222GA	12 × 16	21 – 22
715398	DRI161224GA	12 × 16	23 – 24
715400	DRI161228GA	12 × 16	25 – 28
715402	DRI161232GA	12 × 16	29 – 32
715404	DRI161236GA	12 × 16	33 – 36
715430	DRI241832GA	18 × 24	29 – 32
715432	DRI241836GA	18 × 24	33 – 36
715434	DRI241840GA	18 × 24	37 – 40
715436	DRI241844GA	18 × 24	41 – 44
715438	DRI241848GA	18 × 24	45 – 48
715440	DRI241852GA	18 × 24	49 – 52
715442	DRI241856GA	18 × 24	53 – 56
715444	DRI241862GA	18 × 24	57 – 62

NOTE: Also available without insulation.

ULTIMATE ACCESS DOORS — BLACK IRON

ITEM #	MODEL	SIZE (")
715336	D128ULBI	12 × 8
715335	D1212ULBI	12 × 12
715334	D1010ULBI	10 × 10
715330	D1010ULWSBI (w/insulation)	10 × 10

Contact your ECCO representative for more information or pricing on Ductmate's full line of access doors.



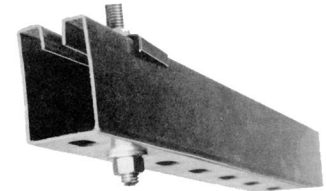
– E.&O.E. – Subject to Change Without Notice – May Not Be Available At All Locations –

TRAPEZE DUCT HANGER, ISOLATION PADS, AND TRAPEZE BEAM CLAMPS

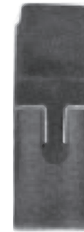
- Hot-dipped galvanized
- Eliminates hard to cut and punch angle iron
- Ship directly to job site
- Easy to cut
- Lightweight
- Neat, professional appearance

ITEM #	MODEL	DESCRIPTION
715252	TRAP05GA	Trapeze Duct Hanger @ 20' lengths – Galvanized
715258	DM2735AS	Isolation Pad for Trapeze Hanger (100/ctn)
715254	TBCLAMP	Trapeze Beam Clamp Assembly (100/ctn)

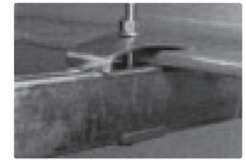
Note: For every 4 LF of Trapeze Hanger ordered the customer will receive 1 Trapeze Washer at no charge. This will be shown as a comment line on the order and will not be invoiced separately.



Trapeze Duct Hanger



Isolation Pad



Beam Clamp

ISOLATION HANGER TYPE SI

Rubber prevents vibrations from being transmitted from air ducts and other ventilation devices to parts of the building.

The load-bearing capacity of the hanger can be used to its full extent.

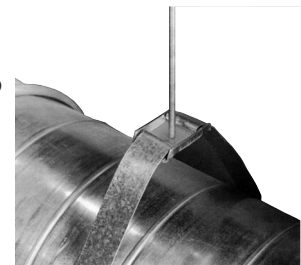
ITEM #	MODEL	DESCRIPTION	WT/LBS
715256	DM2723SI	Isolation Hanger for 3/8" Threaded Rod	0.74



ROUND DUCT STRAP BRACKET TYPE BA

The ideal way to hang round duct work. No tools required. The steel strip is hand bent into the bracket which is self loading. A stamped galvanized steel bracket joins the two ends of the galvanized steel strip encircling the duct and provides a suspension point for a hanger rod.

ITEM #	MODEL	DESCRIPTION	WT/LBS
715804	DM4703BA3	Round Duct Strap Bracket (for 5/16" to 3/8" rod) – Galvanized	0.14



– E.&O.E. – Subject to Change Without Notice – May Not Be Available At All Locations –

CLUTCHER SYSTEM

- Can be used on a variety of mechanical systems
- Wire and clutcher sold separately
- Eliminates the need to stock pre-cut wire
- Tapered bore design for fast and easy installation
- Easily adjust hanging height by hand
- Extremely strong
- Offers a 5-to-1 safety factor
- Available in variety of sizes for different weights
- Items can be hung at angles up to 60° from vertical
- Lightweight design reduces the risk of on-site accidents
- Aesthetically pleasing



ITEM #	MODEL	DESCRIPTION
715280	12750	#10 Clutcher, 10/bag
715281	12751	#20 Clutcher, 10/bag
715282	12752	#30 Clutcher, 5/bag
715283	12753	#40 Clutcher, 5/bag

CLUTCHER TOOLS

ITEM #	MODEL	DESCRIPTION
715278	12730	Wire Rope Cutter (HFWR/C)

WIRE ROPE

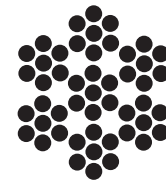
Ductmate Wire Rope is designed for the suspension of HVAC and other mechanical systems. This product has been designed to be used in conjunction with Ductmate's Cablemate Systems.

- Aircraft quality zinc coated wire rope
- Superior strength
- Supplied in coils to reduce waste
- Coils were designed for strength and ease of use
- Available in a variety of sizes and lengths



#10 WIRE ROPE FOR #10 CLUTCHER

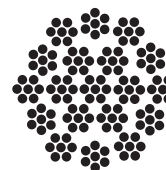
ITEM #	MODEL	DESCRIPTION
715286	12755	#10 Wire Rope, 500 ft/spool — 2.0 mm



Wire Rope
7x7

#20 WIRE ROPE FOR #20 EZ-LOCK AND CLUTCHER

ITEM #	MODEL	DESCRIPTION
715287	12760	#20 Wire Rope, 500 ft/spool — 3.2 mm



Wire Rope
7x19

#30 WIRE ROPE FOR #30 CLUTCHER

ITEM #	MODEL	DESCRIPTION
715288	12766	#30 Wire Rope, 1,000 ft/spool — 4.8 mm

#40 WIRE ROPE FOR #40 CLUTCHER

ITEM #	MODEL	DESCRIPTION
715289	12770	#40 Wire Rope, 500 ft/spool — 6.0 mm

– E.&O.E. – Subject to Change Without Notice – May Not Be Available At All Locations –



MOISTURE DRAINS AND CAPS

An economical and fast method of installing leakproof drain in ductwork and drain pans.

ITEM #	MODEL	DESCRIPTION
715904	MD75GA	Moisture Drain – 3/4"



PROGUARD — PROTECTIVE DUCT COVERING

PROguard Heavy Duty is a dual-ply polyethylene film with a high-tack adhesive coating. It is specially-formulated to keep film attached and leave no residue when removed. Its unique manufacturing process gives ProGuard Heavy Duty unmatched puncture resistance, strength, elongation, and workability.

PROguard Standard Grade is an economical singly-ply film with a low-tack adhesive coating.

Features:

- Color: Clear / Blue
- Adhesion: Adheres to Galvanized, Stainless Steel, Galvannealed, Aluminum, PVC Coated, Aluminized and Black Iron
- Type: Polyethylene
- Shelf Life: For best results use within 1 year of purchase
- Elongation: 600% – Heavy Duty Grade
325% – Standard Grade
- Indoor/Outdoor: Stands up in the rain, snow, or sun
- UV Resistance: Good
- Adhesive: Acrylic. Does not leave sticky residue on duct work after removal



ITEM #	MODEL	DESCRIPTION	SIZE	CTN/QTY
715942	PG24	PROguard 24" roll – Heavy Duty	24" x 200'	2 rolls/box
715954	PG24B	PROguard 24" roll – Blue	24" x 200'	1 roll/box
715944	PG36	PROguard 36" roll – Heavy Duty	36" x 200'	1 roll/box
715946	PG48	PROguard 48" roll – Heavy Duty	48" x 200'	1 roll/box
715948	PG24C	PROguard – Clear	24" x 200'	2 rolls/box
715950	PG36C	PROguard – Clear	36" x 200'	1 roll/box

– E.&O.E. – Subject to Change Without Notice – May Not Be Available At All Locations –



www.eccomfg.com

Langley Distribution

19860 Fraser Highway
Langley, British Columbia
Canada V3A 4C9

Phone: 604-530-4151
Toll Free: 1-877-955-4805
Fax: 604-533-9335

Calgary Distribution

21 – 11150 38th Street, S.E.
Calgary, Alberta
Canada T2C 2Z6

Phone: 403-720-0895
Toll Free: 1-877-955-4815
Fax: 403-720-0897

Kent Distribution

20001 87th Ave. S, Bldg E
Kent, Washington
USA 98031

Phone: 253-872-3721
Toll Free: 1-800-207-6859
Fax: 253-872-3724

IMPERIAL

Boflex



ECCO™ is proud to be a member of:



SMACNA
Sheet Metal and Air
Conditioning Contractors'
National Association
www.smacna.org



HRAI
Heating, Refrigeration and
Air Conditioning
Institute of Canada
www.hrai.ca



HARDI
Heating, Air-conditioning
& Refrigeration
Distributors International
www.hardinet.org



ADI
Air
Distribution
Institute
www.steelduct.org



AD
Affiliated Distributors™
www.adhq.com



CME
Canadian
Manufacturers &
Exporters
www.cme-mec.ca



SPIDA
Spiral Duct
Manufacturers
Association
www.spida.org



INDEX

2-PLY BLACK POLYESTER AIR DUCT (INSULATED)	H2-3
AIR CONNECTORS — CLASS 1	
2-PLY ALUMINUM/POLYESTER FLEX CONNECTORS (NON-INSULATED)	H2-3
FLEX CLAMPS — STAINLESS STEEL — WORMGEAR TYPE	H2-3
FLEXIBLE ALUMINUM DUCTING — NO COLLAR/NON-INSULATED	H2-3

LEGEND

ABBREVIATIONS: CTN/QTY = Carton Quantity

AIR CONNECTORS — CLASS 1

2-PLY ALUMINUM/POLYESTER FLEX CONNECTORS (NON-INSULATED)

- For use wherever UL-181 and ULC S-110M standards for Class 1 air duct is required

ITEM #	MODEL	DESCRIPTION	CTN/QTY
743103	APS-0325	3" x 25 ft.	1
743104	APS-0425	4" x 25 ft.	1
743105	APS-0525	5" x 25 ft.	1
743106	APS-0625	6" x 25 ft.	1
743107	APS-0725	7" x 25 ft.	1
743108	APS-0825	8" x 25 ft.	1
743110	APS-1025	10" x 25 ft.	1
743112	APS-1225	12" x 25 ft.	1

ITEM #	MODEL	DESCRIPTION	CTN/QTY
743114	APS-1425	14" x 25 ft.	1
743116	APS-1625	16" x 25 ft.	1
743118	APS-1825	18" x 25 ft.	1



2-PLY BLACK POLYESTER AIR DUCT (INSULATED)

- Comes with Fiberglass Reinforced Metalized Vapor Barrier
- For use wherever UL-181 and ULC S-110M standards for Class 1 air duct is required

ITEM #	MODEL	DESCRIPTION	R-VALUE
743353	MEA-0325	3" x 25 ft.	4.2
743354	MEA-0425	4" x 25 ft.	4.2
743355	MEA-0525	5" x 25 ft.	4.2
743356	MEA-0625	6" x 25 ft.	4.2
743357	MEA-0725	7" x 25 ft.	4.2
743358	MEA-0825	8" x 25 ft.	4.2
743359	MEA-0925	9" x 25 ft.	4.2
743360	MEA-1025	10" x 25 ft.	4.2

ITEM #	MODEL	DESCRIPTION	R-VALUE
743362	MEA-1225	12" x 25 ft.	4.2
743364	MEA-1425	14" x 25 ft.	4.2
743366	MEA-1625	16" x 25 ft.	4.2
743368	MEA-1825	18" x 25 ft.	4.2



FLEXIBLE ALUMINUM DUCTING — NO COLLAR/NON-INSULATED

ITEM #	MODEL	DESCRIPTION	CTN/QTY
743003	FX0018	3" x 8 ft. Flex Compressed	9
743004	FX0022	4" x 8 ft. Flex Compressed	9
743005	FX0026	5" x 8 ft. Flex Compressed	4
743006	FX0029	6" x 8 ft. Flex Compressed	4
C743000	FX0204	7" x 8 ft. Flex Compressed	5



FLEX CLAMPS — STAINLESS STEEL — WORMGEAR TYPE

ITEM #	MODEL	DESCRIPTION	CTN/QTY
704320	HC6-40	2.06" – 3" Gear Clamp	100
704324	HC6-72	3" – 5" Gear Clamp	100
704310	HC6-88	4" – 6" Gear Clamp	100
704309	HC6-116	5-3/4" – 7-3/4" Gear Clamp	100
704328	HC6-128	6-1/2" – 8-1/2" Gear Clamp	100
704311	HC6-152	8" – 10" Gear Clamp	100
704312	HC6-188	10-1/4" – 12-1/4" Gear Clamp	100
704314	HC6-224	12-1/2" – 14-1/2" Gear Clamp	100



– E.&O.E. – Subject to Change Without Notice – May Not Be Available At All Locations –



www.eccomfg.com

Langley Distribution

19860 Fraser Highway
Langley, British Columbia
Canada V3A 4C9

Phone: 604-530-4151
Toll Free: 1-877-955-4805
Fax: 604-533-9335

Calgary Distribution

21 – 11150 38th Street, S.E.
Calgary, Alberta
Canada T2C 2Z6

Phone: 403-720-0895
Toll Free: 1-877-955-4815
Fax: 403-720-0897

Kent Distribution

20001 87th Ave. S, Bldg E
Kent, Washington
USA 98031

Phone: 253-872-3721
Toll Free: 1-800-207-6859
Fax: 253-872-3724

IMPERIAL

Matte Black Stove Pipe



ECCO™ is proud to be a member of:



SMACNA
Sheet Metal and Air
Conditioning Contractors'
National Association
www.smacna.org



HRAI
Heating, Refrigeration and
Air Conditioning
Institute of Canada
www.hrai.ca



HARDI
Heating, Air-conditioning
& Refrigeration
Distributors International
www.hardinet.org



ADI
Air
Distribution
Institute
www.steelduct.org



AD
Affiliated Distributors™
www.adhq.com



CME
Canadian
Manufacturers &
Exporters
www.cme-mec.ca



SPIDA
Spiral Duct
Manufacturers
Association
www.spida.org



IMPERIAL MATTE BLACK STOVE PIPE

INDEX

BURN INDICATORS (THERMOMETERS)	H3-3
CHIMNEY BRUSHES	H3-9
CHIMNEY CAPS.....	H3-8
CONNECTORS	
ADJUSTABLE — DRAWBAND — 24 GAUGE	H3-4
OVAL TO ROUND — 24 GAUGE	H3-5
SLIP — 24 GAUGE.....	H3-5
UNION PIECE — 24 GAUGE	H3-5
DAMPER — CAST IRON.....	H3-7
ELBOWS	
ADJUSTABLE	H3-4
CORRUGATED	H3-4
END CAPS — ROUND	
LARGE END — NO CRIMP — 24 GAUGE	H3-5
SMALL END — CRIMPED — 24 GAUGE.....	H3-5
FLUE STOPPER — ADJUSTABLE.....	H3-7
INCREASER — LARGE END — CRIMPED — 24 GAUGE	H3-6
INCREASER/REDUCER — NO CRIMP — 24 GAUGE.....	H3-7
REDUCER — SMALL END — CRIMPED — 24 GAUGE	H3-6
REPLACEMENT GASKET — FIBREGLASS GASKET ROPE	H3-9
STOVE BOARDS AND HEAT SHIELDS	H3-8
STOVE BOARD MOUNTING ACCESSORIES.....	H3-8
STOVE BOARDS (UL/ULC LISTED AND LABELLED)	H3-8
STOVE PIPE AND ELBOW PROTECTORS — (UL/ULC LISTED AND LABELLED).....	H3-8
STOVE PIPE	H3-3
HALF JOINT — 24 GAUGE.....	H3-3
TELESCOPIC — 24 GAUGE.....	H3-3
STOVE TOP DRIP FREE ADAPTOR — 24 GAUGE	H3-5
TEES	
ASSEMBLED — 24 GAUGE.....	H3-6
BAROMETRIC WITH DAMPER — 24 GAUGE	H3-6
CLEANOUT WITH END CAP — 24 GAUGE	H3-6
THIMBLE — FLUE — 24 GAUGE.....	H3-7
TRIM COLLAR	H3-7

LEGEND

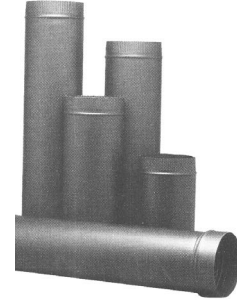
ABBREVIATIONS: CTN/QTY = Carton Quantity



IMPERIAL MATTE BLACK STOVE PIPE

STOVE PIPE — 24 GAUGE

ITEM #	MODEL	SIZE (")	CTN/QTY
C614200	BM0218	4 × 18	10
614212	BM0109	4 × 24	10
614216	BM0105	5 × 18	10
614218	BM0110	5 × 24	10
C614200	BM0342	5 × 30	10
614220	BM0235	5 × 36	10
614224	BM0106	6 × 18	10
614226	BM0111	6 × 24	10
614228	BM0116	6 × 30	10
614230	BM0120	6 × 36	10
614232	BM0220	6 × 48	5
614236	BM0107	7 × 18	10
614238	BM0112	7 × 24	10
614240	BM0117	7 × 30	10
614242	BM0121	7 × 36	10
C614200	BM0221	7 × 48	5
614246	BM0108	8 × 18	10
614248	BM0113	8 × 24	10
614250	BM0118	8 × 30	10
614252	BM0122	8 × 36	10
614254	BM0222	8 × 48	5



STOVE PIPE — 28 GAUGE

ITEM #	MODEL	SIZE (")	CTN/QTY
C614200	BM0343	3 × 24	10
C614200	BM0344	4 × 24	10



TELESCOPIC STOVE PIPE — 24 GAUGE

ITEM #	MODEL	SIZE (")	CTN/QTY
614260	BM0144	5	1
614262	BM0123	6	1
614264	BM0124	7	1
C614200	BM0125	8	1



HALF JOINT PIPE — 24 GAUGE

ITEM #	MODEL	SIZE	CTN/QTY
614210	BM0142	4 × 12	10
614214	BM0101	5 × 12	10
614222	BM0102	6 × 12	10
614234	BM0103	7 × 12	10
614244	BM0104	8 × 12	10



BURN INDICATORS (THERMOMETERS)

ITEM #	MODEL	DESCRIPTION	CTN/QTY
C662100	KK0166	Probe Thermometer	12
662122	KK0163	Magnetic Thermometer	12
C614200	BM0135	Stove Pipe Thermometer	12



– E.&O.E. – Subject to Change Without Notice – May Not Be Available At All Locations –



IMPERIAL MATTE BLACK STOVE PIPE

ADJUSTABLE ELBOWS — 45° — 24 GAUGE

ITEM #	MODEL	SIZE	CTN/QTY
614270	BM0007	5" x 45°	4
614272	BM0008	6" x 45°	4
614274	BM0009	7" x 45°	4
614276	BM0010	8" x 45°	4



ADJUSTABLE ELBOWS — 90° — 24 GAUGE

ITEM #	MODEL	SIZE	CTN/QTY
614278	BM0012	4" x 90°	4
614280	BM0013	5" x 90°	4
614282	BM0014	6" x 90°	4
614284	BM0015	7" x 90°	4
614286	BM0016	8" x 90°	4



ADJUSTABLE ELBOWS — 90° — 28 GAUGE

ITEM #	MODEL	SIZE	CTN/QTY
C614200	BM0345	3" x 90°	4
C614200	BM0346	4" x 90°	4



CORRUGATED ELBOWS — 45° — 24 GAUGE

ITEM #	MODEL	SIZE	CTN/QTY
C614200	BM0019	6" x 45°	4
C614200	BM0020	7" x 45°	4
C614200	BM0021	8" x 45°	4



CORRUGATED ELBOWS — 90° — 24 GAUGE

ITEM #	MODEL	SIZE	CTN/QTY
614290	BM0022	5" x 90°	4
614292	BM0023	6" x 90°	4
614294	BM0024	7" x 90°	4
614296	BM0025	8" x 90°	4



CORRUGATED ELBOWS — 90° — 28 GAUGE

ITEM #	MODEL	SIZE	CTN/QTY
C614200	BM0327	4" x 90°	4



ADJUSTABLE CONNECTOR DRAWBAND — 24 GAUGE

ITEM #	MODEL	SIZE (")	CTN/QTY
614300	BM0033	5	6
614302	BM0034	6	6
614304	BM0035	7	6
614306	BM0036	8	6



- E.&O.E. - Subject to Change Without Notice - May Not Be Available At All Locations -



IMPERIAL MATTE BLACK STOVE PIPE

OVAL TO ROUND CONNECTOR — 24 GAUGE

ITEM #	MODEL	SIZE (")	CTN/QTY
614330	BM0037	6	12
614332	BM0038	7	12
614336	BM0039	7 × 6	6
614334	BM0040	8	12



CONNECTOR UNION PIECE — 24 GAUGE

ITEM #	MODEL	SIZE (")	CTN/QTY
614320	BM0045	5	6
614322	BM0047	6	6
614324	BM0048	7	6
614326	BM0049	8	6



STOVE TOP DRIP FREE ADAPTOR — 24 GAUGE

ITEM #	MODEL	SIZE (")	CTN/QTY
C614200	BM0314	6 × 4	1
C614200	BM0315	8 × 4	1



SLIP CONNECTOR — 24 GAUGE

ITEM #	MODEL	SIZE (")	CTN/QTY
614460	BM0042	6 × 12	8
C614200	BM0043	7 × 12	8
614462	BM0044	8 × 12	10



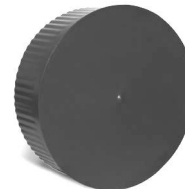
ROUND END CAP — LARGE END — NO CRIMP — 24 GAUGE

ITEM #	MODEL	SIZE (")	CTN/QTY
C614200	BM0027	4	12
614310	BM0028	5	12
614312	BM0029	6	12
614314	BM0030	7	12
614316	BM0031	8	12



ROUND END CAP — SMALL END — CRIMPED — 24 GAUGE

ITEM #	MODEL	SIZE (")	CTN/QTY
C614200	BM0149	4	12
C614200	BM0150	5	12
C614200	BM0151	6	12
C614200	BM0152	7	12
C614200	BM0153	8	12



– E.&O.E. – Subject to Change Without Notice – May Not Be Available At All Locations –



IMPERIAL MATTE BLACK STOVE PIPE

ASSEMBLED TEE — 24 GAUGE

ITEM #	MODEL	SIZE (")	CTN/QTY
C614200	BM0081	4	1
614340	BM0082	5	1
614342	BM0083	6	1
614344	BM0084	7	1
614346	BM0085	8	1



BAROMETRIC TEE WITH DAMPER — 24 GAUGE

ITEM #	MODEL	SIZE (")	CTN/QTY
614350	BM0341	5	1
614352	BM0087	6	1
614354	BM0088	7	1
C614200	BM0089	8	1



CLEANOUT TEE — WITH END CAP — 24 GAUGE

ITEM #	MODEL	SIZE (")	CTN/QTY
614360	BM0143	5	1
614362	BM0090	6	1
614364	BM0091	7	1
614366	BM0092	8	1



INCREASER — LARGE END — CRIMPED — 24 GAUGE

ITEM #	MODEL	SIZE (")	CTN/QTY
614400	BM0057	4 x 5	10
C614200	BM0058	4 x 6	10
614402	BM0059	5 x 6	12
C614200	BM0060	5 x 7	12
614404	BM0061	6 x 7	12
614450	BM0062	6 x 8	10
614408	BM0063	7 x 8	12



REDUCER — SMALL END — CRIMPED — 24 GAUGE

ITEM #	MODEL	SIZE (")	CTN/QTY
614370	BM0073	5 x 4	10
614372	BM0074	6 x 4	12
614374	BM0075	6 x 5	12
C614200	BM0076	7 x 5	10
614376	BM0077	7 x 6	12
614378	BM0079	8 x 6	10
614380	BM0080	8 x 7	12



— E.&O.E. — Subject to Change Without Notice — May Not Be Available At All Locations —



IMPERIAL MATTE BLACK STOVE PIPE

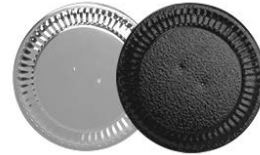
INCREASER/REDUCER — NO CRIMP — 24 GAUGE

ITEM #	MODEL	SIZE (")	CTN/QTY
C614200	BM0065	5 × 4	10
C614200	BM0066	6 × 4	12
614382	BM0067	6 × 5	12
C614200	BM0068	7 × 5	12
614384	BM0069	7 × 6	12
C614200	BM0070	8 × 5	10
614386	BM0071	8 × 6	10
614388	BM0072	8 × 7	12



ADJUSTABLE FLUE STOPPER

ITEM #	MODEL	COLOUR	CTN/QTY
C614200	BM0353	Almond	12
614440	BM0026	Black	12
C614200	BM0227	Brass	12
614442	BM0179	Wood Grain	12



TRIM COLLAR

ITEM #	MODEL	SIZE (")	COLOR	CTN/QTY
614410	BM0340	3	Black	12
614412	BM0226	4	Black	12
614414	BM0093	5	Black	12
614416	BM0094	6	Black	12
614418	BM0095	7	Black	12
614420	BM0096	8	Black	12
614430	BM0223	6	Brass	12
614432	BM0224	7	Brass	12
614434	BM0225	8	Brass	12



THIMBLE — FLUE — 24 GAUGE

ITEM #	MODEL	SIZE (")	CTN/QTY
C614200	BM0097	6	12
C614200	BM0098	7	10
C614200	BM0099	8	10



CAST IRON DAMPER

ITEM #	MODEL	SIZE (")	CTN/QTY
C614200	BM0241	3	12
614390	BM0242	4	12
614392	BM0050-A	5	12
614394	BM0051-A	6	12
614396	BM0052-A	7	12
614398	BM0053-A	8	12



– E.&O.E. – Subject to Change Without Notice – May Not Be Available At All Locations –



IMPERIAL MATTE BLACK STOVE PIPE

CHIMNEY CAPS

ITEM #	MODEL	DESCRIPTION	CTN/QTY
614530	BM0001	8" x 8"	1
614531	BM0002	8" x 12"	1
614532	BM0003	10" x 10"	1
614533	BM0004	12" x 12"	1
C614200	BM0173	Universal Aluminum Chimney Cap	6
C614200	BM0205	Universal Cap with Stainless Cover	6



STOVE BOARDS AND HEAT SHIELDS

STOVE BOARDS (UL/ULC LISTED AND LABELLED)

ITEM #	MODEL	SIZE (")	COLOR	CTN/QTY
614500	BM0127	18 x 48	Pebble Black	1
614510	BM0129RC	28 x 32	Pebble Black	1
614512	BM0130RC	32 x 42	Pebble Black	1
614514	BM0204RC	36 x 36	Pebble Black	1
614516	BM0128RC	36 x 48	Pebble Black	1
614518	BM0131RC	36 x 52	Pebble Black	1
614520	BM0211RC	40 x 48	Pebble Black	1
614522	BM0206RC	46 x 48	Pebble Black	1
C614200	BM0309RC	28 x 32	Brick	1
C614200	BM0310RC	32 x 42	Brick	1
C614200	BM0311RC	36 x 52	Brick	1
C614200	BM0176RC	28 x 32	Wood Grain	1
C614200	BM0177RC	32 x 42	Wood Grain	1
C614200	BM0250RC	36 x 36	Wood Grain	1
C614200	BM0180RC	36 x 48	Wood Grain	1
C614200	BM0178RC	36 x 52	Wood Grain	1



Black Pebble



Wood Grain



Brick Design

STOVE PIPE AND ELBOW PROTECTORS — (UL/ULC LISTED AND LABELLED)

ITEM #	MODEL	DESCRIPTION	CTN/QTY
C614200	BM0234	6" - 7" - 8"/90° Elbow Stove Pipe Heat Shield	1
C614200	BM0133	Adj. Stove Pipe Shield	10



STOVE BOARD MOUNTING ACCESSORIES

ITEM #	MODEL	DESCRIPTION	CTN/QTY
C614200	BM0134-A	Wall Shield Spacing Kit	24
C614200	BM0126-A	Stove Board Joiner Kit, Pebble Black	20



- E.&O.E. - Subject to Change Without Notice - May Not Be Available At All Locations -



IMPERIAL MATTE BLACK STOVE PIPE

CHIMNEY BRUSHES

POLYSWEEP

- Black polypropylene brush — round
- 3/8" NSPM Male Thread

ITEM #	MODEL	SIZE	CTN/QTY
614542	BR0077	6"	12



SWEEP'S CHOICE

- Flat wire brush – rectangular
- 3/8" NSPM Male Thread

ITEM #	MODEL	SIZE	CTN/QTY
614540	BR0011	6" x 10"	8
614541	BR0024	8" x 12"	8



REPLACEMENT GASKET

- Replacement gasket for airtight stoves, fireplace inserts and cool or pellet stoves
- Designed to securely seal stove window glass in stove doors and openings
- Will withstand temperatures up to 538°C (1000°F)

FIBREGLASS GASKET ROPE

ITEM #	MODEL	DESCRIPTION	CTN/QTY
614550	GA0171	1/2" x 100' – Spool – White	1



– E.&O.E. – Subject to Change Without Notice – May Not Be Available At All Locations –



www.eccomfg.com

Langley Distribution

19860 Fraser Highway
Langley, British Columbia
Canada V3A 4C9

Phone: 604-530-4151
Toll Free: 1-877-955-4805
Fax: 604-533-9335

Calgary Distribution

21 – 11150 38th Street, S.E.
Calgary, Alberta
Canada T2C 2Z6

Phone: 403-720-0895
Toll Free: 1-877-955-4815
Fax: 403-720-0897

Kent Distribution

20001 87th Ave. S, Bldg E
Kent, Washington
USA 98031

Phone: 253-872-3721
Toll Free: 1-800-207-6859
Fax: 253-872-3724

PRIMEX

Residential Registers, Grilles, and Diffusers



ECCO™ is proud to be a member of:



SMACNA
Sheet Metal and Air
Conditioning Contractors'
National Association
www.smacna.org



HRAI
Heating, Refrigeration and
Air Conditioning
Institute of Canada
www.hrai.ca



HARDI
Heating, Air-conditioning
& Refrigeration
Distributors International
www.hardinet.org



ADI
Air
Distribution
Institute
www.steelduct.org



AD
Affiliated Distributors™
www.adhq.com



CME
Canadian
Manufacturers &
Exporters
www.cme-mec.ca



SPIDA
Spiral Duct
Manufacturers
Association
www.spida.org



PRIMEX RESIDENTIAL REGISTERS, GRILLES, AND DIFFUSERS

INDEX

DIFFUSERS

ACCESSORIES.....	H4-5
CEILING AND SIDEWALL.....	H4-5
WG SERIES — ADJUST-A-VENT.....	H4-5
WGX SERIES — TRUE-FLOW VENT.....	H4-5

GRILLES

BASEBOARD — 3/4" DEPTH.....	H4-4
RETURN AIR — PLASTIC — WHITE.....	H4-4
SIDEWALL — FLUSH MOUNT — 3/8" DEPTH.....	H4-4

REGISTERS — HEAT — PLASTIC

CLASSIC SERIES.....	H4-3
DESIGNER SERIES.....	H4-4

LEGEND

ABBREVIATIONS: CTN/QTY = Carton Quantity



PRIMEX RESIDENTIAL REGISTERS, GRILLES, AND DIFFUSERS

HEAT REGISTERS — PLASTIC

CLASSIC SERIES

Features:

- Floor, ceiling, or wall applications
- “Finger tip” air control
- 9 available sizes
- Filter cloth pins
- Huge color selection (*see below*).
- Easy to clean
- High strength polymer resin

Please specify color code when ordering.



ITEM #	MODEL	COLOR	SIZE (")	CTN/QTY
701799	HR21001	Snow White – 01	2-1/4 × 10	30
701800	HR21201	Snow White – 01	2-1/4 × 12	25
701801	HR21401	Snow White – 01	2-1/4 × 14	25
701803	HR31001	Snow White – 01	3 × 10	25
701807	HR40801	Snow White – 01	4 × 8	20
701804	HR41001	Snow White – 01	4 × 10	20
701805	HR41201	Snow White – 01	4 × 12	25
701806	HR41401	Snow White – 01	4 × 14	15
701808	HR61201*	Snow White – 01	6 × 12	24
701850	HR31002	Bone White – 02	3 × 10	25
701852	HR41002	Bone White – 02	4 × 10	20
701831	HR31005	Grey – 05	3 × 10	25
701832	HR41005	Grey – 05	4 × 10	20
701849	HR21006	Chocolate Brown – 06	2-1/4 × 10	30
701833	HR31006	Chocolate Brown – 06	3 × 10	25
701834	HR41006	Chocolate Brown – 06	4 × 10	20
701802	HR21004	Tan – 04	2-1/4 × 10	30
701515	HR21204	Tan – 04	2-1/4 × 12	25
701835	HR31004	Tan – 04	3 × 10	25
701836	HR41004	Tan – 04	4 × 10	20
701858	HR41204	Tan – 04	4 × 12	25
701853	HR31003	Almond – 03	3 × 10	25
701854	HR41003	Almond – 03	4 × 10	20
701516	HR21223	Taupe – 23	2-1/4 × 12	25
701855	HR31023	Taupe – 23	3 × 10	25
701511	HR40823	Taupe – 23	4 × 8	20
701856	HR41023	Taupe – 23	4 × 10	20
701512	HR41223	Taupe – 23	4 × 12	25
701517	HR21011	Black – 11	2-1/4 × 10	30
701851	HR31011	Black – 11	3 × 10	25
701857	HR41011	Black – 11	4 × 10	20
701822	HR31026	Khaki – 26	3 × 10	25
701102	HR31020	Wood Grain – 20	3 × 10	25
701514	HR41019	Caramel – 19	4 × 10	20

*Ceiling/Wall Use Only.

COLORS: Almond (03), Black (11), Bone White (02), Caramel (19), Chocolate Brown (06), Desert Sand (24), Grey (05), Khaki (26), Snow White (01), Tan (04), Taupe (23), Wood Grain (20), Dusty Rose (07), Pale Pink (17), Wedgewood Blue (08), Hunter Green (09), and Mint (18)

– E.&O.E. – Subject to Change Without Notice – May Not Be Available At All Locations –



PRIMEX RESIDENTIAL REGISTERS, GRILLES, AND DIFFUSERS

HEAT REGISTERS — PLASTIC

DESIGNER SERIES

Features:

- Floor, ceiling, or wall applications
 - “Finger tip” air control
 - 2 available sizes
 - Filter cloth pins
 - Huge color selection (*see below*).
 - Easy to clean
 - High strength polymer resin
- Please specify color code when ordering.



ITEM #	MODEL	COLOR	SIZE (")	CTN/QTY
701520	HRA410	Snow White – 01	4 × 10	20

COLORS: Almond (03), Black (11), Bone White (02), Caramel (19), Chocolate Brown (06), Desert Sand (24), Grey (05), Khaki (26), Snow White (01), Tan (04), Taupe (23), Wood Grain (20), Dusty Rose (07), Pale Pink (17), Wedgewood Blue (08), Hunter Green (09), and Mint (18)

RETURN AIR GRILLES — PLASTIC — WHITE

Features:

- High strength polymer resin
- Additional center screw hole on grilles 18" and larger
- 13 available sizes in 6" or 6 available sizes in 8" heights
- 2 available models: Flushmount – 3/8" depth and Baseboard – 3/4" depth
- Will not rust or dent
- Easy to clean



SIDEWALL GRILLES — FLUSH MOUNT — 3/8" DEPTH

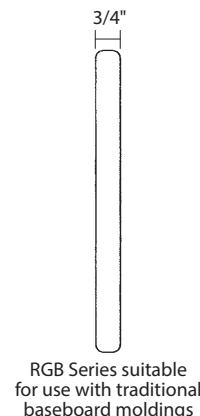
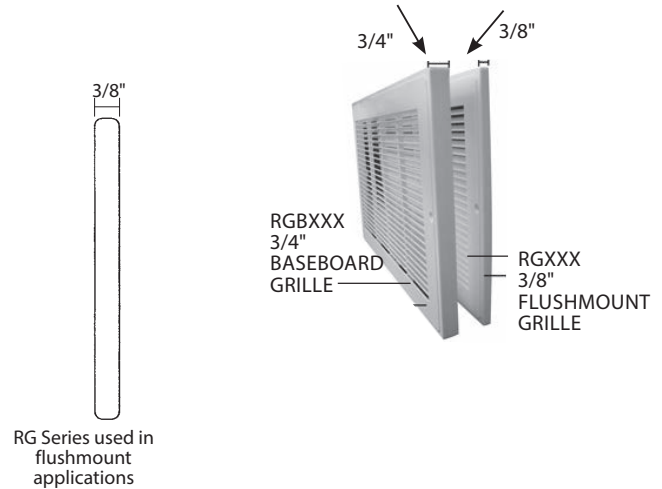
ITEM #	MODEL	SIZE (")	CTN/QTY
701821	RG60601	6 × 6	40
701812	RG12601	12 × 6	40
701814	RG14601	14 × 6	40
701818	RG18601	18 × 6	20
701820	RG20601	20 × 6	20
701824	RG24601	24 × 6	20
701830	RG30601	30 × 6	20
701810	RG12801	12 × 8	36
701811	RG14801	14 × 8	36
701813	RG18801	18 × 8	18
701815	RG20801	20 × 8	18
701816	RG24801	24 × 8	18
701817	RG30801	30 × 8	18

COLOR: Snow White (01)

BASEBOARD GRILLES — 3/4" DEPTH

ITEM #	MODEL	SIZE (")	CTN/QTY
701841	RGB12601	12 × 6	20
701837	RGB14601	14 × 6	20
701819	RGB18601	18 × 6	10
701838	RGB24601	24 × 6	10
701839	RGB30601	30 × 6	10
701823	RGB12801	12 × 8	20
701825	RGB14801	14 × 8	20
701826	RGB18801	18 × 8	10
701827	RGB20801	20 × 8	10
701828	RGB24801	24 × 8	10
701829	RGB30801	30 × 8	10

COLOR: Snow White (01)



– E.&O.E. – Subject to Change Without Notice – May Not Be Available At All Locations –



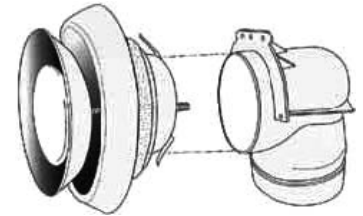
PRIMEX RESIDENTIAL REGISTERS, GRILLES, AND DIFFUSERS

CEILING AND SIDEWALL DIFFUSERS — SUPPLY/EXHAUST — PLASTIC

WG SERIES — ADJUST-A-VENT

Features:

- Dual flow: Air supply or exhaust
- Strong stainless steel grip clip, provides a snug fit
- Extra thick foam gasket, allows for tight seal on uneven surfaces
- Supplied lock and nut fine tunes air flow settings
- Extra long collar simplifies installation
- Made from high strength polymer resin
- WG401 vent is compatible with "squeeze elbow" accessory: EB4X90
- Easy to install and remove
- Very quiet during operation



WG401

EBX490

Installation using Primex's "Squeeze Elbow"

ITEM #	MODEL	DESCRIPTION	SIZE (")	FREE AREA (SQ. IN.)	CTN/QTY
683104	WG401	Short Base	4	5.5	25
683338	WG401XB	Extended Base	4	—	25
683105	WG501	Extended Base	5	9.9	25
683106	WG601	Extended Base	6	11.4	25

COLOR: Snow White (01)

ACCESSORIES

ITEM #	MODEL	DESCRIPTION	SIZE (")	CTN/QTY
683092	EB4X90	Squeeze Elbow For WG401	4	25

COLOR: Black (11)

WGX SERIES — TRUE-FLOW VENT

Features:

- Dual Flow: Air supply or exhaust
- 5 sizes
- Increased air flow
- 4 Wing adjustment screw to set air flow
- Snap-on trim ring included
- Nearly "True Size" inner cavity
- WGX4S vent is compatible with Primex's "squeeze elbow" EB4X90
- Easy to install and remove
- Secure friction fit
- Added security of mounting screws through base flange
- Trim ring snaps into place over flange to hide mounting screws



ITEM #	MODEL	DESCRIPTION	SIZE	FREE AREA (SQ. IN.)	CTN/QTY
683340	WGX4	Adjustable Air Diffuser	4" dia.	10.5	25
683342	WGX5	Adjustable Air Diffuser	5" dia.	16.9	25
683344	WGX6	Adjustable Air Diffuser	6" dia.	25.1	25
683346	WGX7	Adjustable Air Diffuser	7" dia.	35.5	15
683348	WGX8	Adjustable Air Diffuser	8" dia.	45.5	15

COLOR: Snow White (01)

— E.&O.E. — Subject to Change Without Notice — May Not Be Available At All Locations —



www.eccomfg.com

Langley Distribution

19860 Fraser Highway
Langley, British Columbia
Canada V3A 4C9

Phone: 604-530-4151
Toll Free: 1-877-955-4805
Fax: 604-533-9335

Calgary Distribution

21 – 11150 38th Street, S.E.
Calgary, Alberta
Canada T2C 2Z6

Phone: 403-720-0895
Toll Free: 1-877-955-4815
Fax: 403-720-0897

Kent Distribution

20001 87th Ave. S, Bldg E
Kent, Washington
USA 98031

Phone: 253-872-3721
Toll Free: 1-800-207-6859
Fax: 253-872-3724

PRIMEX

Venting Products and Accessories



ECCO™ is proud to be a member of:



SMACNA
Sheet Metal and Air
Conditioning Contractors'
National Association
www.smacna.org



HRAI
Heating, Refrigeration and
Air Conditioning
Institute of Canada
www.hrai.ca



HARDI
Heating, Air-conditioning
& Refrigeration
Distributors International
www.hardinet.org



ADI
Air
Distribution
Institute
www.steelduct.org



AD
Affiliated Distributors™
www.adhq.com



CME
Canadian
Manufacturers &
Exporters
www.cme-mec.ca



SPIDA
Spiral Duct
Manufacturers
Association
www.spida.org



PRIMEX VENTING PRODUCTS AND ACCESSORIES

INDEX

ACCESS PANELS.....	H5-16
DIFFUSERS — CEILING AND SIDEWALL	
ACCESSORIES.....	H5-3
WG SERIES — ADJUST-A-VENT	H5-3
WGX SERIES — TRUE-FLOW VENT.....	H5-3
EB4X90 — 90° SQUEEZE ELBOW	H5-6
TRIM PLATES — 501 SERIES.....	H5-16
VENTS	
EXHAUST / DRYER	
DV4 SERIES — DRYER / EXHAUST (NO SCREEN)	H5-12
INTAKE AND EXHAUST	
WCD AND WCT SERIES — DOUBLE AND TRIPLE INTAKE AND EXHAUST	H5-13
WCL SERIES — LOW PROFILE INTAKE AND EXHAUST	H5-14
RANGE HOOD	H5-12
ROOF	
RV20 SERIES — LOW PROFILE ROOF	H5-8
RV28 SERIES — GOOSE NECK ROOF	H5-9
ACCESSORIES (SNAP-IN ADAPTER)	H5-9
RVL28 SERIES / WC28 WALL CAP	H5-7
ACCESSORIES (SNAP-IN ADAPTER)	H5-7
SOFFIT	
ACCESSORIES (SNAP-IN ADAPTER)	H5-4
RDV SERIES.....	H5-6
SV SERIES.....	H5-4
SV6 SERIES	H5-5
SV28 — SOFFIT INTAKE AND EXHAUST	H5-4
SV156 SERIES — SLAB DUCT SOFFIT	H5-5
WALL — EXTERIOR	
WC SERIES — INTAKE AND EXHAUST	H5-10 – H5-11
WALL CAPS — EXTENDED	
WCX — DOME COVER.....	H5-15
WCXF — FLAT COVER.....	H5-15

LEGEND

ABBREVIATIONS: CTN/QTY = Carton Quantity



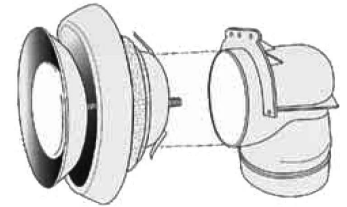
PRIMEX VENTING PRODUCTS AND ACCESSORIES

CEILING AND SIDEWALL DIFFUSERS

WG SERIES — ADJUST-A-VENT

Features:

- Dual flow: Air supply or exhaust
- Strong stainless steel grip clip, provides a snug fit
- Extra thick foam gasket, allows for tight seal on uneven surfaces
- Supplied lock and nut fine tunes air flow settings
- Extra long collar simplifies installation
- Made from high strength polymer resin
- WG401 vent is compatible with "squeeze elbow" accessory: EB4X90
- Easy to install and remove
- Very quiet during operation



WG401

EBX490

Installation using Primex's "Squeeze Elbow"

CA ITEM #	US ITEM #	MODEL	DESCRIPTION	SIZE (")	FREE AREA (SQ. IN.)	CTN/QTY
683104	683604	WG401	Short Base	4	5.5	25
683338	683838	WG401XB	Extended Base	4	-	25
683105	683605	WG501	Extended Base	5	9.9	25
683106	683606	WG601	Extended Base	6	11.4	25

COLOR: Snow White (01)

ACCESSORIES

CA ITEM #	US ITEM #	MODEL	DESCRIPTION	SIZE (")	CTN/QTY
683092	683592	EB4X90	Squeeze Elbow For WG401	4	25

COLOR: Black (11)

WGX SERIES — TRUE-FLOW VENT

Features:

- Dual Flow: Air supply or exhaust
- 5 sizes
- Increased air flow
- 4 Wing adjustment screw to set air flow
- Snap-on trim ring included
- Nearly "True Size" inner cavity
- WGX4S vent is compatible with Primex's "squeeze elbow" EB4X90
- Easy to install and remove
- Secure friction fit
- Added security of mounting screws through base flange
- Trim ring snaps into place over flange to hide mounting screws



CA ITEM #	US ITEM #	MODEL	DESCRIPTION	SIZE	FREE AREA (SQ. IN.)	CTN/QTY
683340	683840	WGX4	Adjustable Air Diffuser	4" dia.	10.5	25
683342	683842	WGX5	Adjustable Air Diffuser	5" dia.	16.9	25
683344	683844	WGX6	Adjustable Air Diffuser	6" dia.	25.1	25
683346	683846	WGX7	Adjustable Air Diffuser	7" dia.	35.5	15
683348	683848	WGX8	Adjustable Air Diffuser	8" dia.	45.5	15

COLOR: Snow White (01)

- E.&O.E. - Subject to Change Without Notice - May Not Be Available At All Locations -



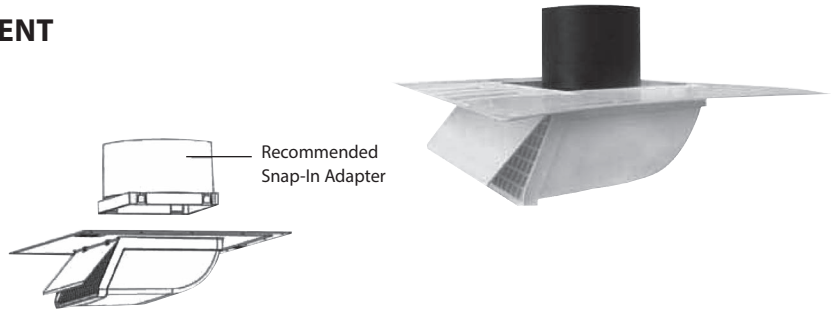
PRIMEX VENTING PRODUCTS AND ACCESSORIES

SOFFIT VENTS

SV28 — SOFFIT INTAKE AND EXHAUST VENT

Features:

- Low profile one piece molded hood eliminates leaky joints and provides maximum water protection
- Optional screen and removable damper
- Available for intake or exhaust applications
- Snap-in adapters ensure a tight seal
- Quick and easy to install
- Made with UV protected polymer resin



Approximate Sizes:

Flange: 16-1/4" x 18-5/8"

Hood: 10-1/4" x 10-1/2" x 4-3/8"

CA ITEM #	US ITEM #	MODEL	DESCRIPTION	COLOR	FREE AREA (SQ. IN.)	CTN/QTY
683250	683750	SV2801	Soffit Vent	Snow White – 01	27.6	6
683251	683751	SV2823	Soffit Vent	Taupe – 23	27.6	6
683252	683752	SV2801NS	Soffit Vent	Snow White – 01	40.3	6
683253	683753	SV2823NS	Soffit Vent	Taupe – 23	40.3	6

NOTE: NS= No Bird Screen.

COLORS: Snow White (01), Taupe (23)

ACCESSORIES (SNAP-IN ADAPTER)

CA ITEM #	US ITEM #	MODEL	DESCRIPTION	FREE AREA (SQ. IN.)	CTN/QTY
683150	683650	RV28-4	Duct Adapter: 4"	12.6	30
683151	683651	RV28-5	Duct Adapter: 5"	19.6	30
683152	683652	RV28-6	Duct Adapter: 6"	27.6	25
683153	683653	RV28-7	Duct Adapter: 7"	27.6	25
683154	683654	RV28-8	Duct Adapter: 8"	27.6	18

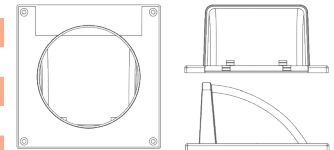
SV SERIES

Features:

- Low profile one piece design is less obtrusive than traditional vents
- For use in new or retrofit applications
- No need to penetrate the roof or walls
- No leaky seams on the vent hood
- Made from UV-stabilized polymer resin



CA ITEM #	US ITEM #	MODEL	DESCRIPTION	SIZE (")	COLOR	FREE AREA (SQ. IN.)	CTN/QTY
683127	683627	SV401	Soffit Vent with Damper	4" dia.	Snow White – 01	12.6	24
683146	683646	SV423	Soffit Vent with Damper	4" dia.	Taupe – 23	12.6	24
683128	683628	SV501	Soffit Vent with Damper	5" dia.	Snow White – 01	13.3	24
683129	683629	SV523	Soffit Vent with Damper	5" dia.	Taupe – 23	13.3	24
683180	683680	SV601	Soffit Vent with Damper	6" dia.	Snow White – 01	28.2	10
683181	683681	SV623	Soffit Vent with Damper	6" dia.	Taupe – 23	28.2	10



COLORS: Snow White (01), Taupe (23)

– E.&O.E. – Subject to Change Without Notice – May Not Be Available At All Locations –



PRIMEX VENTING PRODUCTS AND ACCESSORIES

SOFFIT VENTS (cont'd)

SV156 SERIES — SLAB DUCT SOFFIT VENT

Features:

- Molded one piece base
- Fits ECCODUCT™
- Removable damper for intake applications
- Manufactured to replace the standard metal discharge hoods currently available
- Low profile one piece molded hood eliminates leaky joints and maximizes water protection
- Made from UL listed VO polymer
- UV stabilized
- Hoods are easily cleaned or replaced

Approximate Sizes:

Flange: 6" x 15"
Hood: 4-7/16" x 12-1/16"



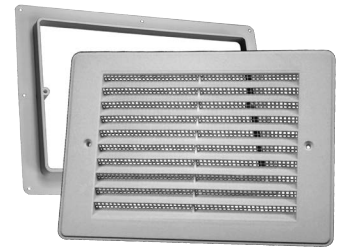
CA ITEM #	US ITEM #	MODEL	DESCRIPTION	SIZE (")	FREE AREA (SQ. IN.)	CTN/QTY
683145	683645	SV156	Slab Duct Soffit Vent	4	27.8	24

COLORS: Snow White (01), Light Grey (31)

SV6 SERIES

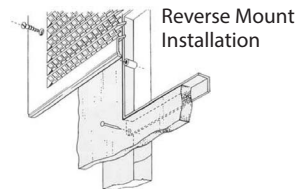
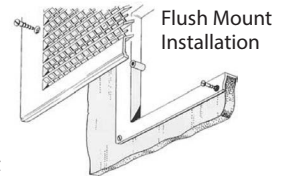
Features:

- Molded-in mesh screen
- Comes with 2 installation screws
- The SV6X9 may be installed with or without the access frame
- Made from UV stabilized polymer resin
- Easy to install



CA ITEM #	US ITEM #	MODEL	DESCRIPTION	SIZE (")	FREE AREA (SQ. IN.)	CTN/QTY
683121	683621	SV6X9-S	Rectangular Soffit Vent – Screen Vent	6 x 9	15.7	22
683122	683622	SV6X9-SF	Vent Kit: Screen and Access Frame	6 x 9	15.7	22

COLOR: Snow White (01)



– E.&O.E. – Subject to Change Without Notice – May Not Be Available At All Locations –



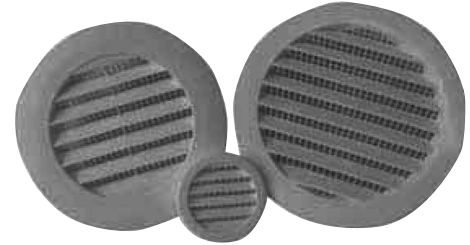
PRIMEX VENTING PRODUCTS AND ACCESSORIES

SOFFIT VENTS (cont'd)

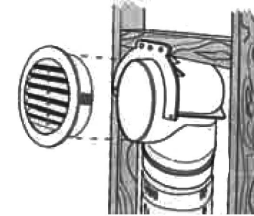
RDV SERIES

Features:

- Extra long collar for better hose or duct connection
- Molded-in mesh screen
- 4 available sizes
- Secure friction fit
- Made from UV stabilized polymer resin



CA ITEM #	US ITEM #	MODEL	DESCRIPTION	SIZE	FREE AREA (SQ. IN.)	CTN/QTY
683112	683612	RDV-2S	Round, Screened Soffit Vent	2" dia.	1.1	50
683114	683614	RDV-4S	Round, Screened Soffit Vent	4" dia.	4.0	70
683115	683615	RDV-5S	Round, Screened Soffit Vent	5" dia.	6.4	40
683116	683616	RDV-6S	Round, Screened Soffit Vent	6" dia.	10.3	30



4" Round Vent Installed with Primex's 'Squeeze Elbow' EBX490

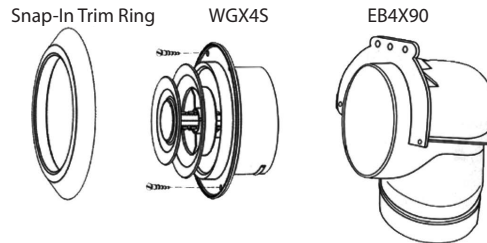
NOTE: RDV-4S can be installed with EB4X90 Squeeze Elbow.

COLOR: Snow White (01)

EB4X90 — 90° SQUEEZE ELBOW

Features:

- Impact resistant polymer resin. 4" x 90° plastic stack hood elbow
- Compatible with several 4" diameter Primex vents
- Designed to fit inside 2" x 4" walls
- Works well with WG4, WGX4S and RDV4
- Easy installation
- Quick rough-in



Installation using Primex's Squeeze Elbow



CA ITEM #	US ITEM #	MODEL	DESCRIPTION	DIA (")	CTN/QTY
683092	683592	EB4X90	Squeeze Elbow	4	25

COLOR: Black (11)

EB4X90 is compatible with Models listed below:

MODEL	DIAMETER (")	DESCRIPTION	CTN/QTY	FREE AREA
DV401	4	Dryer Vent	24	12.6
RDV4S	4	Round, Screened Soffit Vent	70	4.00
SV401	4	Soffit Vent	24	12.6
WG401	4	Air Diffuser	25	5.5
WGX4S	4	Adjust-A-Vent air diffuser with short base	25	10.5
WC401	4	Wall Cap	25	9.5

– E.&O.E. – Subject to Change Without Notice – May Not Be Available At All Locations –



PRIMEX VENTING PRODUCTS AND ACCESSORIES

ROOF VENTS

RVL28 SERIES / WC28 WALL CAP

Features:

- Enhances aesthetics with low profile that blends in with roof
- Keep inventories low with single hood size and separate 4 to 8 inch easy snap-in adapters
- Increases installation options because it can be used on steep slope roof (<60 degrees) and even as a wall cap (WC28)
- Eliminates leaky joints and maximizes water protection with one piece, molded hood
- Ensures watertight installation with over-sized flange
- Long lasting durability with UV protected, impact resistant polymer resin
- Simple intake/exhaust conversion via removable damper

Applications:

- Through-roof exhaust of dryers, bathroom and kitchen fans, stove vents
- Intake for furnaces, fresh air make-up, attic venting

Notes and Specs:

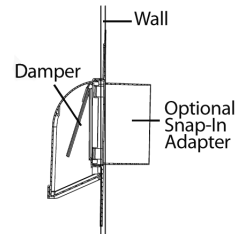
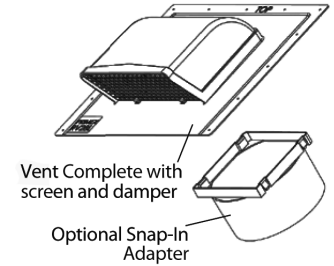
- For dryer applications Primex recommends "No bird screen (NS)" model
- For steep roof (<60 degrees) and vertical wall applications, order WC28 model
- Free Area = 27.8 sq. in. (179.4 square cm)
- Hood Size: 10-1/4" x 10-1/2" x 4-3/8"
- Flange Size: 16-1/4" x 18-5/8"
- Standard configuration of RVL28 and WC28 come with removable screen and damper
- RV28 adapters sold separately



RVL28 - Dark Grey



WC2801 - Snow White



WC28 - Wall Cap vent

CA ITEM #	US ITEM #	MODEL	DESCRIPTION	COLOR	FREE AREA (SQ. IN.)	CTN/QTY
683286	683786	RVL2825	Roof Mount: Intake/Exhaust Vent	Black – 25	27.8	6
683287	683787	RVL2828	Roof Mount: Intake/Exhaust Vent	Dark Grey – 28	27.8	6
683288	683788	RVL2868	Roof Mount: Intake/Exhaust Vent	Dark Brown – 68	27.8	6
683289	683789	RVL2828NS	Roof Mount: Intake Exhaust Vent	Dark Grey – 28	40.3	6
C683091	C683091	WC28	Wall Cap: Intake Exhaust Vent	–	27.8	6
C683091	C683091	WC28NS	Wall Cap: Intake Exhaust Vent	–	40.3	6

NOTE: NS = No Bird Screen.

COLORS: RVL28 – Black (25), Dark Brown (68), Light Grey (31), Dark Grey (28)
WC28 – Light Grey (31), Snow White (01), Tan (45), Taupe (23)

ACCESSORIES (SNAP-IN ADAPTER)

CA ITEM #	US ITEM #	MODEL	DESCRIPTION	DIA (")	FREE AREA	CTN/QTY
683150	683650	RV28-4	Snap-In Adapter	4	12.6 sq. in.	30
683151	683651	RV28-5	Snap-In Adapter	5	19.6 sq. in.	30
683152	683652	RV28-6	Snap-In Adapter	6	27.8 sq. in./28.3 N.S.	25
683153	683653	RV28-7	Snap-In Adapter	7	27.8 sq. in./38.5 N.S.	25
683154	683654	RV28-8	Snap-In Adapter	8	27.8 sq. in./40.3 N.S.	18

– E.&O.E. – Subject to Change Without Notice – May Not Be Available At All Locations –



PRIMEX VENTING PRODUCTS AND ACCESSORIES

ROOF VENTS (cont'd)

RV20 SERIES — LOW PROFILE ROOF VENT

Features:

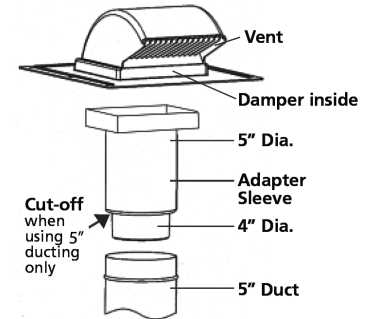
- Eliminates leaky joints and maximizes water protection with one piece molded hood
- Ensures watertight installation with over-sized flange
- Long lasting durability with UV protected, impact resistant polymer resin
- Compatible with 4 or 5 inch ducting with included RV45 easy snap-in adapter
- Simple intake/exhaust conversion via removable damper
- Quick and easy installation with installer-friendly packaging (i.e. vent/adaptor bagged together)

Applications:

- Through-roof exhaust of dryers, bathroom and kitchen fans, stove vents
- Intake for furnaces, fresh air make-up, attic venting

Notes and Specs:

- For dryer applications Primex recommends "No bird screen (NS)" model
- Free area = 20 sq. in. (129 square cm)
- Hood Size: 6.5" x 6.88" x 4.88"
- Standard configuration of RV20 Kit comes with screen, damper and RV45 Adapter



CA ITEM #	US ITEM #	MODEL	DESCRIPTION	COLOR	FREE AREA (SQ. IN.)	CTN/QTY
683167	683667	RV2025KIT	Roof Mount: Intake/Exhaust Vent	Black – 25	20.9	10
683168	683668	RV2028KIT	Roof Mount: Intake/Exhaust Vent	Dark Grey – 28	20.9	10
683169	683669	RV2031KIT	Roof Mount: Intake/Exhaust Vent	Light Grey – 31	20.9	10
683170	683670	RV2045KIT	Roof Mount: Intake/Exhaust Vent	Tan – 45	20.9	10
683171	683671	RV2068KIT	Roof Mount: Intake/Exhaust Vent	Dark Brown – 68	20.9	10
683172	683672	RV2025KITNS	Roof Mount: Intake/Exhaust Vent	Black – 25	21.4	10
683174	683674	RV2028KITNS	Roof Mount: Intake/Exhaust Vent	Dark Grey – 28	21.4	10
C683091	C683091	RV2031KITNS	Roof Mount: Intake/Exhaust Vent	Light Grey – 31	21.4	10
C683091	C683091	RV2045KITNS	Roof Mount: Intake/Exhaust Vent	Tan – 45	21.4	10
683173	683673	RV2068KITNS	Roof Mount: Intake/Exhaust Vent	Dark Brown – 68	21.4	10

NOTES: NS = No Bird Screen.

Flexible duct not included with kit.

COLORS: Black (25), Dark Brown (68), Dark Grey (28), Light Grey (31), Tan (45)

– E.&O.E. – Subject to Change Without Notice – May Not Be Available At All Locations –



PRIMEX VENTING PRODUCTS AND ACCESSORIES

ROOF VENTS (cont'd)

RV28 SERIES — GOOSE NECK ROOF VENT

Features:

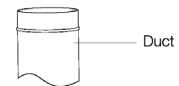
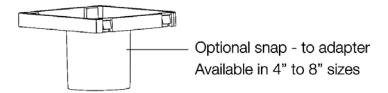
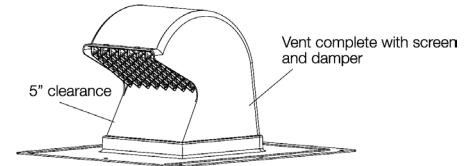
- Provides all-weather ventilation with 5" of additional height for snow clearance
- Maximize inventory turns with single hood size and separate 4 to 8 inch easy snap-in adapters
- Eliminates leaky joints and maximizes water protection with one piece, molded hood
- Ensures watertight installation with over-sized flange
- Long lasting durability with UV protected, impact resistant polymer resin
- Simple intake/exhaust conversion via removable damper

Applications:

- Through-roof exhaust of dryers, bathroom and kitchen fans, stove vents
- Intake for furnaces, fresh air make-up, attic venting

Notes and Specs:

- For dryer applications Primex recommends "No bird screen (NS)" model
- Free Area = 26.5 sq. in. (171 square cm)
- Hood Size: 7.5" x 7.25" x 9.38"
- Standard configuration of RV28 comes with removable screen and damper
- RV28 adapters sold separately



CA ITEM #	US ITEM #	MODEL	DESCRIPTION	COLOR	FREE AREA (SQ. IN.)	CTN/QTY
683140	683640	RV2825	Exhaust Vent with Screen	Black – 25	26.5	5
683143	683643	RV2828	Exhaust Vent with Screen	Dark Grey – 28	26.5	5
683142	683642	RV2831	Exhaust Vent with Screen	Light Grey – 31	26.5	5
683144	683644	RV2868	Exhaust Vent with Screen	Dark Brown – 68	26.5	5

COLORS: Black (25), Dark Brown (68), Dark Grey (28), Light Grey (31), Tan (45)

ACCESSORIES (SNAP-IN ADAPTER)

CA ITEM #	US ITEM #	MODEL	DESCRIPTION	DIA (")	FREE AREA	CTN/QTY
683150	683650	RV28-4	Snap-In Adapter	4	12.6 sq. in.	30
683151	683651	RV28-5	Snap-In Adapter	5	19.6 sq. in.	30
683152	683652	RV28-6	Snap-In Adapter	6	26.5 sq. in./28.3 N.S.	25
683153	683653	RV28-7	Snap-In Adapter	7	26.5 sq. in./38.5 N.S.	25
683154	683654	RV28-8	Snap-In Adapter	8	26.5 sq. in./40.3 N.S.	18

– E.&O.E. – Subject to Change Without Notice – May Not Be Available At All Locations –



PRIMEX VENTING PRODUCTS AND ACCESSORIES

WALL VENTS — EXTERIOR

WC SERIES — INTAKE AND EXHAUST VENTS

Features:

- Compatible with rain screen applications via extended base that compensates for cavity between wall and cladding
- Eliminates leaky joints and maximizes water protection with one piece molded hood and built-in drip edge
- Integrity of the “Building Envelope” is maintained via removable hood that makes cleaning or replacement simple
- Long lasting durability with UV protected, impact resistant, polymer resin
- Ensures watertight installation with over-sized flange

Applications:

- Through-wall exhaust of dryers, bathroom and kitchen fans, stove vents
- Intake for furnaces, fresh air make-up

Notes and Specs:

- For dryer applications Primex recommends “No bird screen (NS)” model
- Removable damper makes conversion of intake/exhaust simple



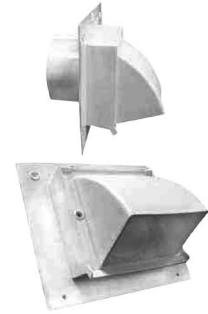
WC631 - Light Grey



WC631 - Side View



WC6 - Installed



WC4XXNS

CA ITEM #	US ITEM #	MODEL	COLLAR SIZE (")	DUCT DIA SIZE (")	COLOR	FREE AREA (SQ. IN.)	CTN/QTY
683094	683594	WC401	4	4	Snow White – 01	9.5	25
683093	683593	WC401NS	4	4	Snow White – 01	12.6	25
683133	683633	WC423	4	4	Taupe – 23	9.5	25
683157	683657	WC423NS	4	4	Taupe – 23	12.6	25
683109	683609	WC425	4	4	Black – 25	9.5	25
683155	683655	WC425NS	4	4	Black – 25	12.6	25
683126	683626	WC428	4	4	Dark Grey – 28	9.5	25
683095	683595	WC431	4	4	Light Grey – 31	9.5	25
683131	683631	WC431NS	4	4	Light Grey – 31	12.6	25
683096	683596	WC445	4	4	Tan – 45	9.5	25
683156	683656	WC445NS	4	4	Tan – 45	12.6	25
683161	683661	WC468	4	4	Dark Brown – 68	9.5	25
683235	683735	WC4P	4	4	Primed	9.5	–
683097	683597	WC501	5	5	Snow White – 01	19.6	10
683103	683603	WC501NS	5	5	Snow White – 01	19.6	10
683134	683634	WC523	5	5	Taupe – 23	19.6	10
683160	683660	WC523NS	5	5	Taupe – 23	19.6	10
683110	683610	WC525	5	5	Black – 25	19.6	10
683135	683635	WC525NS	5	5	Black – 25	19.6	10
683139	683639	WC528	5	5	Dark Grey – 28	19.6	10
683098	683598	WC531	5	5	Light Grey – 31	19.6	10
683159	683659	WC531NS	5	5	Light Grey – 31	19.6	10
683099	683599	WC545	5	5	Tan – 45	19.6	10
683158	683658	WC545NS	5	5	Tan – 45	19.6	10
683132	683632	WC568/WC568NS	5	5	Dark Brown – 68	19.6	10
683236	683736	WC5P	5	5	Primed	19.6	–
683100	683600	WC601	6	6	Snow White – 01	28.3	10
683107	683607	WC601NS	6	6	Snow White – 01	28.3	10

NOTES: All vents come standard with a coarse bird screen.
NS = No Screen

(cont'd on next page)

COLORS: Snow White (01), Light Grey (31), Tan (45), Taupe (23), Dark Brown (68), Black (25), Dark Grey (28)

– E.&O.E. – Subject to Change Without Notice – May Not Be Available At All Locations –



PRIMEX VENTING PRODUCTS AND ACCESSORIES

WALL VENTS — EXTERIOR *(cont'd)*

WC SERIES — INTAKE AND EXHAUST VENTS *(cont'd)*

CA ITEM #	US ITEM #	MODEL	COLLAR SIZE (")	DUCT DIA SIZE (")	COLOR	FREE AREA (SQ. IN.)	CTN/QTY
683136	683636	WC623	6	6	Taupe – 23	28.3	10
683147	683647	WC623NS	6	6	Taupe – 23	28.3	10
683111	683611	WC625	6	6	Black – 25	28.3	10
683141	683641	WC625NS	6	6	Black – 25	28.3	10
683120	683620	WC628	6	6	Dark Grey – 28	28.3	10
683149	683649	WC628NS	6	6	Dark Grey – 28	28.3	10
683101	683601	WC631/WC631NS	6	6	Light Grey – 31	28.3	10
683102	683602	WC645/WC645NS	6	6	Tan – 45	28.3	10
683162	683662	WC668	6	6	Dark Brown – 68	28.3	10
683237	683737	WC6P	6	6	Primed	28.3	–
683117	683617	WC701/WC701NS	7	7	Snow White – 01	38.5	2
683137	683637	WC723/WC723NS	7	7	Taupe – 23	38.5	2
683118	683618	WC731/WC731NS	7	7	Light Grey – 31	38.5	2
683119	683619	WC745/WC745NS	7	7	Tan – 45	38.5	2
683238	683738	WC7P	7	7	Primed	38.5	–
683123	683623	WC801/WC801NS	8	8	Snow White – 01	46.8	2
683138	683638	WC823/WC823NS	8	8	Taupe – 23	46.8	2
683108	683608	WC825/WC825NS	8	8	Black – 25	46.8	–
683124	683624	WC831/WC831NS	8	8	Light Grey – 23	46.8	2
683125	683625	WC845/WC845NS	8	8	Tan – 45	46.8	2
683239	683739	WC8P	8	8	Primed	46.8	–

NOTE: All vents come standard with a coarse bird screen.
NS = No Screen

COLORS: Snow White (01), Light Grey (31), Tan (45), Taupe (23), Dark Brown (68), Black (25), Dark Grey (28)

– E.&O.E. – Subject to Change Without Notice – May Not Be Available At All Locations –

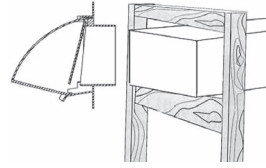


PRIMEX VENTING PRODUCTS AND ACCESSORIES

RANGE HOOD VENTS

Features:

- UV stabilized, polymer resin
- Cut away screen option
- Removable damper
- Adaptable for intake or exhaust applications
- Built in drip edge
- Ideal for use in rain screen systems
- Will not dent or rust



WC310
Installed Into Ducting



3" x 10" WALL CAP VENT — Use with 3" x 10" Register Boot or Slab Duct

CA ITEM #	US ITEM #	MODEL	COLOR	FREE AREA (SQ. IN.)	CTN/QTY
683193	683693	WC31001	Snow White – 01	30.2	18
683194	683694	WC31025	Black – 25	30.2	18
683195	683695	WC31031	Light Grey – 31	30.2	18
683196	683696	WC31045	Tan – 45	30.2	18
683197	683697	WC31068	Dark Brown – 68	30.2	18

COLORS: Snow White (01), Light Grey (31), Tan (45), Dark Brown (68), Taupe (23), Black (25)

3-1/4" x 10" RANGE HOOD VENT — Use With 3-1/4" x 10" Kitchen Transition Boot or Slab Duct

CA ITEM #	US ITEM #	MODEL	COLOR	FREE AREA (SQ. IN.)	CTN/QTY
683188	683688	WC31001K	Snow White – 01	30.2	18
683189	683689	WC31025K	Black – 25	30.2	18
683190	683690	WC31031K	Light Grey – 31	30.2	18
683191	683691	WC31045K	Tan – 45	30.2	18
683192	683692	WC31068K	Dark Brown – 68	30.2	18

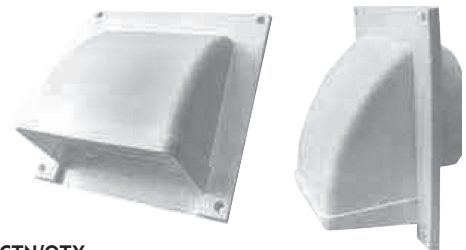
COLORS: Snow White (01), Light Grey (31), Tan (45), Dark Brown (68), Taupe (23), Black (25)

EXHAUST / DRYER VENTS

DV4 SERIES — DRYER / EXHAUST VENT (NO SCREEN)

Features:

- Low profile one piece design
- Accommodates 4" ducting
- No leaky seams on the vent hood
- Made from UV stabilized polymer resin



CA ITEM #	US ITEM #	MODEL	DESCRIPTION	SIZE (")	COLOR	CTN/QTY
683240	683740	DV401	Dryer/Exhaust Vent	4	Snow White – 01	24
683241	683741	DV423	Dryer/Exhaust Vent	4	Taupe – 23	24

COLORS: Snow White (01), Taupe (23)

– E.&O.E. – Subject to Change Without Notice – May Not Be Available At All Locations –



PRIMEX VENTING PRODUCTS AND ACCESSORIES

INTAKE AND EXHAUST VENTS

WCD AND WCT SERIES — DOUBLE AND TRIPLE INTAKE AND EXHAUST VENTS

Features:

- Available with screen or full opening
- Vents can be ordered with or without screen
- Quick and easy to install
- Adaptable for intake or exhaust applications
- Wall cap vents include a drip edge on a flanged base to help guard against rain
- The hood is removable for cleaning or replacement and for line servicing without compromising the “Building Envelope”
- Assembled base
- Removable damper for intake or exhaust applications
- Made with UV protected polymer resin
- Highly resistant to mechanical impact



CA ITEM #	US ITEM #	MODEL	DESCRIPTION	DIA (")	COLOR	FREE AREA (SQ. IN.)	CTN/QTY
683270	683770	WCD501	Double Wall Cap	5	Snow White – 01	2 × 19.6	6
683273	683773	WCD523	Double Wall Cap	5	Taupe – 23	2 × 19.6	6
683271	683771	WCD531	Double Wall Cap	5	Light Grey – 31	2 × 19.6	6
683272	683772	WCD545	Double Wall Cap	5	Tan – 45	2 × 19.6	6
683274	683774	WCD601	Double Wall Cap	6	Snow White – 01	3 × 25	6
683277	683777	WCD623	Double Wall Cap	6	Taupe – 23	3 × 25	6
683275	683775	WCD631	Double Wall Cap	6	Light Grey – 31	3 × 25	6
683276	683776	WCD645	Double Wall Cap	6	Tan – 45	3 × 25	6
683278	683778	WCT501	Triple Wall Cap	5	Snow White – 01	2 × 19.6	1
683281	683781	WCT523	Triple Wall Cap	5	Taupe – 23	2 × 19.6	1
683279	683779	WCT531	Triple Wall Cap	5	Light Grey – 31	2 × 19.6	1
683280	683780	WCT545	Triple Wall Cap	5	Tan – 45	2 × 19.6	1
683282	683782	WCT601	Triple Wall Cap	6	Snow White – 01	3 × 25	1
683285	683785	WCT623	Triple Wall Cap	6	Taupe – 23	3 × 25	1
683283	683783	WCT631	Triple Wall Cap	6	Light Grey – 31	3 × 25	1
683284	683784	WCT645	Triple Wall Cap	6	Tan – 45	3 × 25	1

COLORS: Black (25), Light Grey (31), Snow White (01), Tan (45), Taupe (23)

– E.&O.E. – Subject to Change Without Notice – May Not Be Available At All Locations –



PRIMEX VENTING PRODUCTS AND ACCESSORIES

INTAKE AND EXHAUST VENTS *(cont'd)* WCL SERIES — LOW PROFILE INTAKE AND EXHAUST VENT

Features:

- Attractive low profile design
- Fits 7" or 8" diameter ducts
- Bird Screen
- Quick and easy to install
- Adaptable for intake or exhaust applications
- Incorporated drip edge for superior rain water management
- Removable hood for line servicing without disturbing "Building Envelope"
- Molded one piece base
- Removable dampers for intake or exhaust applications
- Made with UV proteted polymer resin
- Highly resistant to mechanical impact



Low Profile Cap

CA ITEM #	US ITEM #	MODEL	DESCRIPTION	DIA (")	COLOR	FREE AREA (SQ. IN.)	CTN/QTY
683260	683760	WCL701	Low Profile Wall Cap	7	Snow White - 01	38.5	4
683263	683763	WCL723	Low Profile Wall Cap	7	Taupe - 23	38.5	4
683261	683761	WCL731	Low Profile Wall Cap	7	Light Grey - 31	38.5	4
683262	683762	WCL745	Low Profile Wall Cap	7	Tan - 45	38.5	4
683264	683764	WCL801	Low Profile Wall Cap	8	Snow White - 01	50.3	4
683267	683767	WCL823	Low Profile Wall Cap	8	Taupe - 23	50.3	4
683265	683765	WCL831	Low Profile Wall Cap	8	Light Grey - 31	50.3	4
683266	683766	WCL845	Low Profile Wall Cap	8	Tan - 45	50.3	4

COLORS: Snow White (01), Light Grey (31), Tan (45), Taupe (23), Black (25)

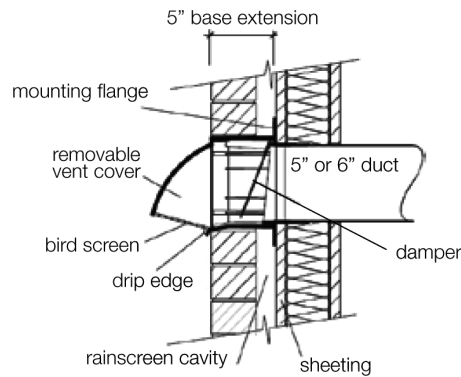
- E.&O.E. - Subject to Change Without Notice - May Not Be Available At All Locations -

EXTENDED WALL CAPS

WCX — DOME COVER

Features:

- Molded one piece base
- Incorporated drip edge for superior rain water management
- Suitable for brick and masonry walls
- Built-in bird screen
- Removable hood for line servicing without disturbing "Building Envelope"
- Removable damper for intake applications
- Available in 5" and 6" models
- Easy to install
- Made with UV protected polymer resin
- Highly resistant to mechanical impact



CA ITEM #	US ITEM #	MODEL	DESCRIPTION	SIZE (")	COLOR	FREE AREA (SQ. IN.)	CTN/QTY
683244	683744	WCX501	Extended Wall Cap	5	Snow White - 01	19.6	6
683249	683749	WCX528	Extended Wall Cap	5	Dark Grey - 28	19.6	6
683245	683745	WCX568	Extended Wall Cap	5	Dark Brown - 68	19.6	6
683246	683746	WCX523	Extended Wall Cap	5	Taupe - 23	19.6	6
683247	683747	WCX531	Extended Wall Cap	5	Light Grey - 31	19.6	6
683248	683748	WCX545	Extended Wall Cap	5	Tan - 45	19.6	6
683254	683754	WCX601	Extended Wall Cap	6	Snow White - 01	28.3	6
683259	683759	WCX628	Extended Wall Cap	6	Dark Grey - 28	28.3	6
683255	683755	WCX668	Extended Wall Cap	6	Dark Brown - 68	28.3	6
683256	683756	WCX623	Extended Wall Cap	6	Taupe - 23	28.3	6
683257	683757	WCX631	Extended Wall Cap	6	Light Grey - 31	28.3	6
683258	683758	WCX645	Extended Wall Cap	6	Tan - 45	28.3	6

COLORS: Dark Brown (68), Light Grey (31), Snow White (01), Tan (45), Taupe (23), Dark Grey (28)

WCXF — FLAT COVER

Features:

- Molded one piece base
- Incorporated drip edge for superior rain water management
- Suitable for brick and masonry walls
- Flat screen for flush mount applications
- Built-in bird screen
- Removable screen for line servicing without disturbing "Building Envelope"
- Removable damper for intake applications
- Available in 5" and 6" models
- Made with UV protected polymer resin
- Highly resistant to mechanical impact
- Easy to install



CA ITEM #	US ITEM #	MODEL	DESCRIPTION	SIZE (")	COLOR	FREE AREA (SQ. IN.)	CTN/QTY
683290	683790	WCXF501	Extended Wall Cap	5	Snow White - 01	19.6	9
683291	683791	WCXF568	Extended Wall Cap	5	Dark Brown - 68	19.6	9
683292	683792	WCXF523	Extended Wall Cap	5	Taupe - 23	19.6	9
683293	683793	WCXF531	Extended Wall Cap	5	Light Grey - 31	19.6	9
683294	683794	WCXF545	Extended Wall Cap	5	Tan - 45	19.6	9
683295	683795	WCXF601	Extended Wall Cap	6	Snow White - 01	28.3	9
683296	683796	WCXF668	Extended Wall Cap	6	Dark Brown - 48	28.3	9
683297	683797	WCXF623	Extended Wall Cap	6	Taupe - 23	28.3	9
683298	683798	WCXF631	Extended Wall Cap	6	Light Grey - 31	28.3	9
683299	683799	WCXF645	Extended Wall Cap	6	Tan - 45	28.3	9

COLORS: Dark Brown (68), Light Grey (31), Snow White (01), Tan (45), Taupe (23)

- E.&O.E. - Subject to Change Without Notice - May Not Be Available At All Locations -



PRIMEX VENTING PRODUCTS AND ACCESSORIES

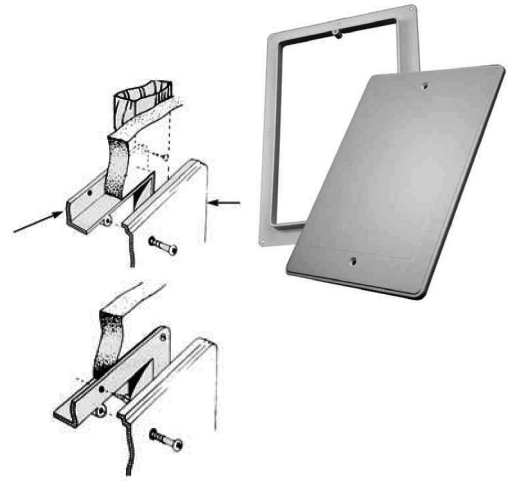
ACCESS PANELS

Features:

- Reversible frame
- 6" x 9" access opening
- Comes with 2 installation screws
- Low profile design. Ample room to work in
- Easy installation
- Made from high strength, polymer resin

CA ITEM #	US ITEM #	MODEL	DESCRIPTION	SIZE (")	CTN/QTY
683130	683630	AP6X9SW	Access Panel Kit Includes cover and frame	6 x 9	25
C683091	C683091	AP6X9	Panel Cover Only Frame not included	6 x 9	25

COLOR: Snow White (01)



Typical Installation

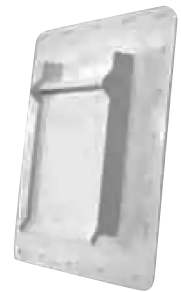
TRIM PLATES — 501 SERIES

Features:

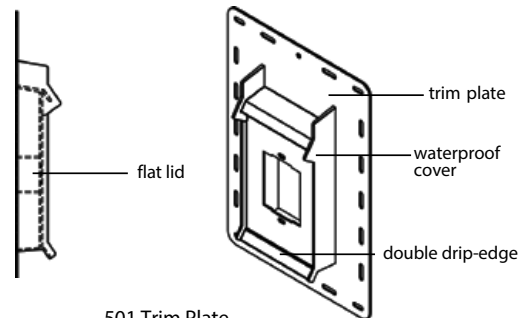
- Rainscreen compatible, double drip-edge finishing plates for electrical, plumbing and custom applications
- Excellent for door bells, HVAC pipes, electrical outlets, water pipes
- Eliminates leaky joints and maximizes water protection with one-piece mold and built-in drip edges
- Integrity of the building envelope is maintained with seamless mold
- Long lasting durability with UV-protected, impact resistant, polymer resin
- Reduces chance of injury with no sharp corners or metal edges that can cut or scrape
- Three versions – 501B (blank, custom fit)
- 501 Series meets stringent requirements of the Alberta Building code that pertains to the "trimming out" of building envelope penetrations
- Saves time without having to form drip edge in the field

CA ITEM #	US ITEM #	MODEL	DESCRIPTION	SIZE (")	CTN/QTY
683320	683820	501B	Outdoor Bells/Unfinished Outlet	8.5 x 12 x 1.25	20

COLOR: Snow White (01)



501B



501 Trim Plate

– E.&O.E. – Subject to Change Without Notice – May Not Be Available At All Locations –



www.eccomfg.com

Langley Distribution

19860 Fraser Highway
Langley, British Columbia
Canada V3A 4C9

Phone: 604-530-4151
Toll Free: 1-877-955-4805
Fax: 604-533-9335

Calgary Distribution

21 – 11150 38th Street, S.E.
Calgary, Alberta
Canada T2C 2Z6

Phone: 403-720-0895
Toll Free: 1-877-955-4815
Fax: 403-720-0897

Kent Distribution

20001 87th Ave. S, Bldg E
Kent, Washington
USA 98031

Phone: 253-872-3721
Toll Free: 1-800-207-6859
Fax: 253-872-3724

SHOEMAKER

Diffusers and Grilles



ECCO™ is proud to be a member of:



SMACNA
Sheet Metal and Air
Conditioning Contractors'
National Association
www.smacna.org



HRAI
Heating, Refrigeration and
Air Conditioning
Institute of Canada
www.hrai.ca



HARDI
Heating, Air-conditioning
& Refrigeration
Distributors International
www.hardinet.org



ADI
Air
Distribution
Institute
www.steelduct.org



AD
Affiliated Distributors™
www.adhq.com



CME
Canadian
Manufacturers &
Exporters
www.cme-mec.ca



SPIDA
Spiral Duct
Manufacturers
Association
www.spida.org



SHOEMAKER DIFFUSERS AND GRILLES

INDEX

CEILING DIFFUSERS

INSTALLATION RINGS — STEEL — 92 SERIES	H6-5
ROUND BOWTIE DAMPERS — STEEL — 91 SERIES	H6-4
STEP DOWN — STEEL — WHITE — 90 SERIES.....	H6-4

FLOOR DIFFUSERS

EXTRUDED ALUMINUM — AFP SERIES	H6-3
HEAVY DUTY STEEL — 375 SERIES.....	H6-3
STEEL — TRAILER APPLICATIONS — 350 SERIES	H6-3

GRILLES

BASEBOARD RETURN AIR — 1150 SERIES.....	H6-5
FILTER — STEEL — FG SERIES	H6-3
FLOOR — STEEL — 1600 SERIES	H6-5
SIDEWALL — 1/4" PROJECTION — 1050 SERIES	H6-4

LEGEND

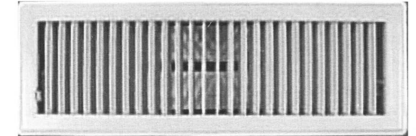
ABBREVIATIONS: CTN/QTY = Carton Quantity
 PCS/BOX = Pieces Per Box



SHOEMAKER DIFFUSERS AND GRILLES

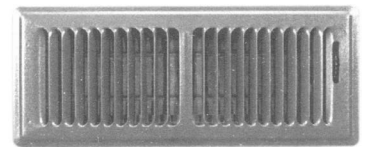
FLOOR DIFFUSERS — HEAVY DUTY STEEL — 375 SERIES

ITEM #	MODEL	COLOUR	SIZE (")	CTN/QTY
701869	375	Soft White	2-1/4 x 10	35
701870	375	Soft White	2-1/4 x 12	30
701871	375	Soft White	2-1/4 x 14	25
701873	375	Soft White	4 x 10	24
701874	375	Soft White	4 x 12	17
701875	375	Soft White	4 x 14	15
701876	375	Soft White	6 x 10	14
701877	375	Soft White	6 x 12	11
701878	375	Soft White	6 x 14	20
701860	375	Driftwood Tan	2-1/4 x 10	35
701861	375	Driftwood Tan	2-1/4 x 12	30
701862	375	Driftwood Tan	2-1/4 x 14	25
701863	375	Driftwood Tan	4 x 10	24
701864	375	Driftwood Tan	4 x 12	17
701865	375	Driftwood Tan	4 x 14	15
701866	375	Driftwood Tan	6 x 10	14
701867	375	Driftwood Tan	6 x 12	11
701868	375	Driftwood Tan	6 x 14	20



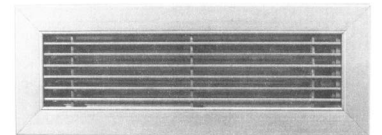
FLOOR DIFFUSER — STEEL — TRAILER APPLICATIONS — 350 SERIES

ITEM #	MODEL	COLOUR	SIZE (")	CTN/QTY
701872	350	Driftwood Tan	4 x 8	34



FLOOR DIFFUSERS — EXTRUDED ALUMINUM — AFP SERIES

ITEM #	MODEL	COLOUR	SIZE (")	CTN/QTY
701973	AFP	Alum	4 x 10	20
701974	AFP	Alum	4 x 12	20
701975	AFP	Alum	4 x 14	20
701976	AFP	Alum	6 x 10	10
701977	AFP	Alum	6 x 12	10



NOTE: Other sizes available – 2-1/4 x 10, 2-1/4 x 12, 2-1/4 x 14, 4 x 8, 6 x 14, 8 x 8, 8 x 10, 8 x 12, 8 x 14.

FILTER GRILLES — STEEL — FG SERIES

ITEM #	MODEL	SIZE (")	CTN/QTY
701925	FG-2	20 x 20	5

NOTE: Filter not included.



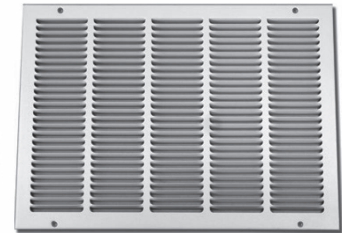
– E.&O.E. – Subject to Change Without Notice – May Not Be Available At All Locations –



SHOEMAKER DIFFUSERS AND GRILLES

SIDEWALL GRILLES — 1/4" PROJECTION — 1/2" SPACING DUAL ANGULAR LOUVERS — STEEL — 1050 SERIES

ITEM #	MODEL	COLOUR	SIZE (")	CTN/QTY
701968	1050	Soft White	12 × 6	30
701940	1050	Soft White	12 × 8	30
701969	1050	Soft White	14 × 6	25
701978	1050	Soft White	14 × 8	25
701982	1050	Soft White	14 × 14	25
701983	1050	Soft White	14 × 8	25
701981	1050	Soft White	16 × 8	20
701984	1050	Soft White	16 × 14	20
701985	1050	Soft White	16 × 16	20
701986	1050	Soft White	18 × 8	20
701989	1050	Soft White	18 × 18	10
701999	1050	Soft White	20 × 8	20
701991	1050	Soft White	20 × 10	20
701992	1050	Soft White	20 × 20	10
701970	1050	Soft White	24 × 6	10
701979	1050	Soft White	24 × 8	10
701995	1050	Soft White	24 × 16	10
701996	1050	Soft White	24 × 24	10
701971	1050	Soft White	30 × 6	10
701980	1050	Soft White	30 × 8	10
701990	1050	Soft White	30 × 10	20
701987	1050	Driftwood Tan	18 × 18	10
701993	1050	Driftwood Tan	20 × 20	10
701994	1050	Driftwood Tan	24 × 24	10



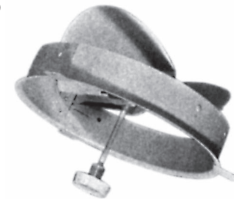
CEILING DIFFUSERS — STEP DOWN — STEEL — WHITE — 90 SERIES

ITEM #	MODEL	SIZE (")	CTN/QTY
701880	90	6	15
701881	90	8	10
701882	90	10	5
701883	90	12	4



CEILING DIFFUSER ROUND BOWTIE DAMPERS — STEEL — 91 SERIES

ITEM #	MODEL	SIZE (")	CTN/QTY
701885	91	6	10
701886	91	8	10
701887	91	10	10
701888	91	12	10



– E.&O.E. – Subject to Change Without Notice – May Not Be Available At All Locations –



SHOEMAKER DIFFUSERS AND GRILLES

CEILING DIFFUSER INSTALLATION RINGS — STEEL — 92 SERIES

ITEM #	MODEL	SIZE (")	CTN/QTY
701890	92	6	10
701891	92	8	10
701892	92	10	10
701893	92	12	10



BASEBOARD RETURN AIR GRILLES — 1150 SERIES

ITEM #	MODEL	COLOUR	SIZE (")	CTN/QTY
701950	1150	Soft White	18 x 12	14



FLOOR GRILLES — STEEL — 1600 SERIES

ITEM #	MODEL	COLOUR	SIZE (")	CTN/QTY
701952	1600	Soft White	14 x 20	5
701954	1600	Driftwood Tan	14 x 20	5



- E.&O.E. - Subject to Change Without Notice - May Not Be Available At All Locations -



www.eccomfg.com

Langley Distribution

19860 Fraser Highway
Langley, British Columbia
Canada V3A 4C9

Phone: 604-530-4151
Toll Free: 1-877-955-4805
Fax: 604-533-9335

Calgary Distribution

21 – 11150 38th Street, S.E.
Calgary, Alberta
Canada T2C 2Z6

Phone: 403-720-0895
Toll Free: 1-877-955-4815
Fax: 403-720-0897

Kent Distribution

20001 87th Ave. S, Bldg E
Kent, Washington
USA 98031

Phone: 253-872-3721
Toll Free: 1-800-207-6859
Fax: 253-872-3724

THERMO MANUFACTURING



ECCO™ is proud to be a member of:



SMACNA
Sheet Metal and Air
Conditioning Contractors'
National Association
www.smacna.org



HRAI
Heating, Refrigeration and
Air Conditioning
Institute of Canada
www.hrai.ca



HARDI
Heating, Air-conditioning
& Refrigeration
Distributors International
www.hardinet.org



ADI
Air
Distribution
Institute
www.steelduct.org



AD
Affiliated Distributors™
www.adhq.com



CME
Canadian
Manufacturers &
Exporters
www.cme-mec.ca



SPIDA
Spiral Duct
Manufacturers
Association
www.spida.org



INDEX

BUTTON-LOK — HANGER STRAP.....	H7-3
SNAP CLAMPS.....	H7-4
SNAP-GRILLES.....	H7-4
THERMO-FRAMES RETURN AIR GRILLE FRAMES.....	H7-4
THERMO-HEADERS JOIST HEADERS.....	H7-3
THERMO-LEVELERS.....	H7-5
THERMO-PAN® RETURN AIR PANNING.....	H7-3
THERMO-STAT RUFF PLATE.....	H7-5
THERMO-THIMBLE THROUGH-THE-WALL LINE SET KIT.....	H7-6

LEGEND

ABBREVIATIONS: CTN/QTY = Carton Quantity
PCS/BOX = Pieces Per Box

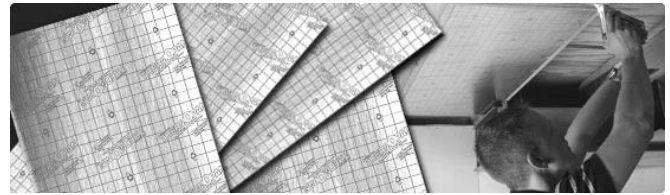
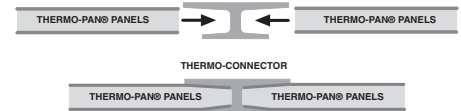
THERMO-PAN® RETURN AIR PANNING

THERMO-PAN® is a high quality, sheet metal alternative for constructing return air ducts between joists and stud cavities. Consists of corrugated insulation faced with aluminum. Significantly reduces duct noises and labor.

- No shop fabrication; user friendly, no cut hands
- No 'oilcanning' or duct noises to generate contractor callback
- Air space in the corrugated medium provides positive R-value
- Stapling as directed results in a plenum air seal tighter than sheet metal
- Enviro-friendly; made from recycled products. Moisture treated against dampness
- Will not sustain combustion (ASTM E84-91a: Flame Spread 35/Smoke Developed Index 25)
- No duct noise
- Satisfied homeowners
- Excellent for open web trusses
- Lightweight
- Easy to install
- Four (4) precision pre-cut header sizes available

THERMO-PAN® PANNING CONNECTORS

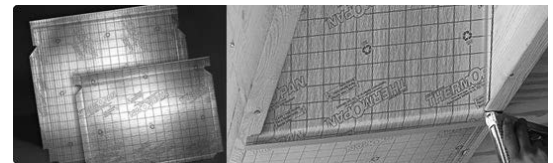
Thermo-Connectors are molded plastic strips available in all sizes which easily connect THERMO-PAN® panels.



ITEM #	MODEL	DESCRIPTION	SIZE (")	PCS/BOX
683412	16048	Thermo-Pan	16 × 47.5	25
683414	19048	Thermo-Pan	19.5 × 47.5	25
683416	24048	Thermo-Pan	24 × 47.5	25
683410	16050	Fire Resistant Thermo-Pan	16 × 47.5	25

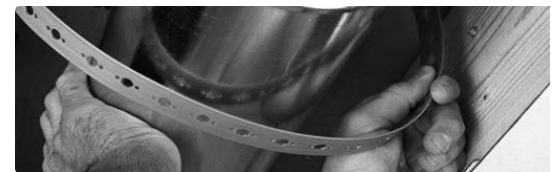
THERMO-HEADERS JOIST HEADERS

ITEM #	MODEL	DESCRIPTION	SIZE (")	PCS/BOX
683406	16013	Fire Resistant – Standard	16 × 12	250
683407	16018	Fire Resistant – I-Joist	16 × 17	250



BUTTON-LOK — HANGER STRAP

- Cuts hanger and labor costs by one half
- Button holes easily adjust duct up or down for professional installation
- Eliminates transfer of heat loss and noise from duct system
- Made from gray high density polyethylene
- Easily cut with sheet metal snips



ITEM #	MODEL	DESCRIPTION	SIZE	PCS/BOX
683425	10100	1" Button-Lok	1" × 100'	25

– E.&O.E. – Subject to Change Without Notice – May Not Be Available At All Locations –

SNAP CLAMPS

Thermo-Snap Clamps are a low-cost solution to all your pipe mounting jobs. Pre-mounted brackets provide an easy one man installation job that is literally a snap!

- Multi-use applications including copper, PVC and ABS pipes
- UV protected
- Maintenance free – use indoors or out
- Eliminates vibration and noise call backs
- Easy to re-open for an addition or custom adjustments



ITEM #	MODEL	DESCRIPTION	PCS/BOX
683430	41118	Residential 1-1/2"	500
683431	41125	Commercial 2"	250

THERMO-FRAMES RETURN AIR GRILLE FRAMES

6" Height

Two custom sizes of precision molded frames!

STANDARD – Allows unfiltered air flow

- Precision molded polypropylene
- Safety edged, all sides and ends
- Double frames can be cut for use as a single
- Place grille over frame and screw into precision molded frame holes on finished drywall

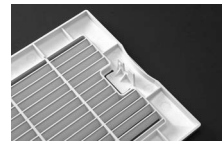


ITEM #	MODEL	DESCRIPTION	SIZE (")	PCS/BOX
683401	14620	Standard	24 × 6	50
683402	14630	Standard	30 × 6 (1) or 14 × 6 (2)	50

SNAP-GRILLES

These sturdy precision-molded white ABS grilles are designed for use with standard 1/2" or 5/8" drywall. They snap-fit perfectly into the Thermo-Frames™ – whether used as a single (14" × 6") or as a double (30" × 6") placed side-by-side.

- Mates perfectly with 30" × 6" or 14" × 6" Frames
- No tools or screws required – simply snap into place
- Just depress tabs for easy removal and cleaning
- Save time, labor and money
- Paint to match any decor
- No rusting, no chipped metal to touch up
- Pre-marked for screws if used with other brand frames



ITEM #	MODEL	SIZE (")	PCS/BOX
683405	15146	15-7/8 × 7-7/8	40

THERMO-STAT RUFF PLATE

- Provides an air-tight seal around wire for accurate temperature control
- 6" x 6" size fits most all makes and models of thermostats
- Residential and commercial application
- For wood or metal studs
- Provides back-up support for sub-base screws
- Keeps wire in the middle of stud
- Easy right or left hand stud mounting



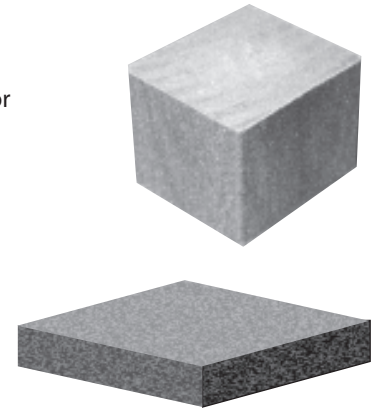
ITEM #	MODEL	SIZE (")	PCS/BOX
683420	56000	6 x 6	100

THERMO-LEVELERS

Leveler Blocks

Better than bricks! Level furnaces, electric heaters, air conditioners, or any other types of home or industrial equipment.

- Tested crushing strength: 5,000 lbs. per block
- Lightweight
- Water and insect resistant
- Made from recycled wood composite that won't chip, crack, split, or rot
- Raises furnace off floor for easier cleaning
- Stops moisture and equipment rusting
- Won't conduct cold



Vibration Blocks

- Perfect for residential, commercial and industrial use
- Shim furnaces and condenser units – vibration-free!
- Made from PURE polymer that won't chip, crack, split, or rot
- Softer than Leveler Blocks

ITEM #	MODEL	DESCRIPTION	SIZE	PCS/BOX
683432	17525	Twist Blocks	1-3/4" x 2" x 2-1/4" – 4/Pkg.	25
683434	19525	Vibration Pads	3/4" x 3" x 3" – 4/Pkg.	25

– E.&O.E. – Subject to Change Without Notice – May Not Be Available At All Locations –



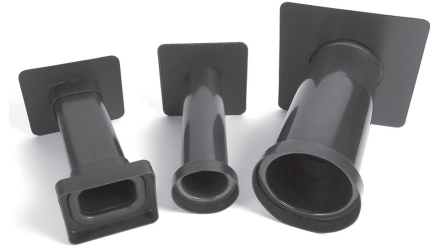
THERMO-THIMBLE THROUGH-THE-WALL LINE SET KIT

ThermoThimble is innovative...

- Stops line set snagging
- Creates a permanent, air-tight seal through walls
- High-density foam gaskets keep out air, insects, and other pests
- No ugly holes to patch

ThermoThimble is easy to install ...

- Installs easily on siding or masonry walls
- Saves labor costs
- Unit offers custom, professional look
- For new construction or retrofit, residential and commercial



ITEM #	MODEL	DESCRIPTION	SIZE	PCS/BOX
Kits Below Include Round Tube and Flange				
683446	44002	Thimble Kit (Round)	2-7/8" dia. – up to 12" wall	40
683448	44005	Thimble Kit (Round)	4-7/8" dia. – up to 12" wall	16
Kits Below Include Rectangular Tube and Flange				
683436	44008	Thimble Kit (Rectangular)	2-1/4" x 3-1/8" – up to 8" wall	20

– E.&O.E. – Subject to Change Without Notice – May Not Be Available At All Locations –



www.eccomfg.com

Langley Distribution

19860 Fraser Highway
Langley, British Columbia
Canada V3A 4C9

Phone: 604-530-4151
Toll Free: 1-877-955-4805
Fax: 604-533-9335

Calgary Distribution

21 – 11150 38th Street, S.E.
Calgary, Alberta
Canada T2C 2Z6

Phone: 403-720-0895
Toll Free: 1-877-955-4815
Fax: 403-720-0897

Kent Distribution

20001 87th Ave. S, Bldg E
Kent, Washington
USA 98031

Phone: 253-872-3721
Toll Free: 1-800-207-6859
Fax: 253-872-3724

HVAC RELATED PRODUCTS



ECCO™ is proud to be a member of:



SMACNA
Sheet Metal and Air
Conditioning Contractors'
National Association
www.smacna.org



HRAI
Heating, Refrigeration and
Air Conditioning
Institute of Canada
www.hrai.ca



HARDI
Heating, Air-conditioning
& Refrigeration
Distributors International
www.hardinet.org



ADI
Air
Distribution
Institute
www.steelduct.org



AD
Affiliated Distributors™
www.adhq.com



CME
Canadian
Manufacturers &
Exporters
www.cme-mec.ca



SPIDA
Spiral Duct
Manufacturers
Association
www.spida.org



HVAC RELATED PRODUCTS

INDEX

AIR CONNECTORS — NON-INSULATED	
FIBERGLASS CLOTH FLEX — MODEL SLP-10	H8-9
FOIL FLEX — MODEL S-LD	H8-9
AIR DUCT	
ACCESSORY	
INSULATED MYLAR SLEEVE — MODEL TSM	H8-11
FIBERGLASS CLASS 1 CLOTH FLEX — NON-INSULATED — PRO SERIES — MODEL STL — FOR ALL PRESSURE SYSTEMS.....	H8-10
INSULATED FLEX — MODEL MK-E	H8-10
INSULATED FLEX-VENT — MODEL KM 4.2	H8-11
ALUMINUM ROOF DRAINS — PLASTIC TOP.....	H8-7
ALUMINUM STACK CAPS	H8-6
ALUMINUM STACKS.....	H8-7
BIRDSCREEN — GALVANIZED	H8-4
BLAST GATES — FULL COLLAR.....	H8-4
BRISTLE BRUSHES.....	H8-6
DIFFUSERS	
CEILING	
ARCHITECTURAL OMNI DIFFUSER (LAY-IN T-BAR)	H8-8
LAY-IN T-BAR — SQUARE	H8-7
ROUND.....	H8-7
DIFFUSER DAMPERS	H8-8
OPPOSED BLADE	H8-8
DUCTCAP®	H8-3
DUCTULATORS	H8-3
EGGCRATES	
1/2" × 1/2" CORE.....	H8-8
ALUMINUM	H8-8
PLASTIC	H8-8
ELBOWS — DRYER EXHAUST DUCT	H8-8
GASKET — BUTYL GASKET (SEALANT TAPE).....	H8-4
MULT-E PURPOSE FOIL TAPE.....	H8-6
MULT-E STRAP	H8-6
THE DRYERBOX®	H8-3
TYPE B OVAL GAS VENT AND FITTINGS	H8-5
WALL CAPS — WITH DAMPER.....	H8-6
WALL THIMBLES — ROUND PIPE	H8-4

LEGEND

ABBREVIATIONS: CTN/QTY = Carton Quantity
WT/100 = Weight per 100 Pieces



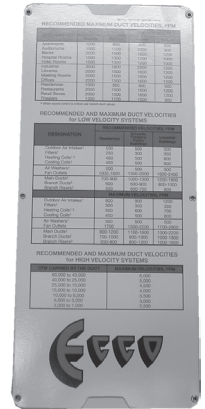
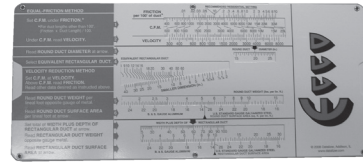
HVAC RELATED PRODUCTS

DUCTULATORS

The ECCO Ductulator provides a quick and efficient way to size duct work according to friction, velocity, and depth criteria.

ITEM #	DESCRIPTION	CTN/QTY	WT/100
799890	For Round and Rectangular Duct Uses Equal-Friction Method and/or Velocity Reduction Method	*	30

*Product shipped individually.



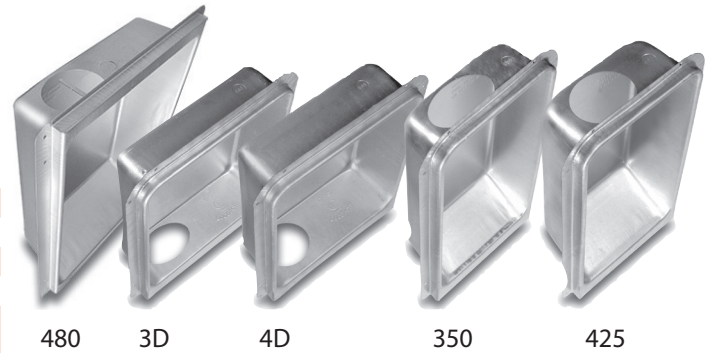
THE DRYERBOX®

Dryer Vent Hose Receptacle

- Doubles as a gas connection receptacle
- Meets code requirements as a clean-out

See www.dryerbox.com for more information.

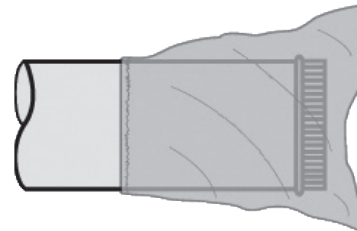
ITEM #	MODEL	SIZE	EXHAUST DIRECTION	CTN/QTY	WT/100
683010	425	2 x 6	Upward	5	460
683012	350	2 x 4	Upward	6	460
683014	4D	2 x 6	Downward	5	460
683016	3D	2 x 4	Downward	6	460
683018	480	2 x 6	Upward/ Downward	6	460



DUCTCAP®

A reusable temporary end cap for air handling systems, made from polypropylene and elastic.

ITEM #	MODEL	DESCRIPTION	CTN/QTY
683904	0610	Fits 6" to 9"	25
683906	1014	Fits 10" to 14"	25
683908	1418	Fits 14" to 18"	25
683910	1824	Fits 18" to 24"	25
683912	2430	Fits 24" to 30"	25
683914	3038	Fits 30" to 38"	25



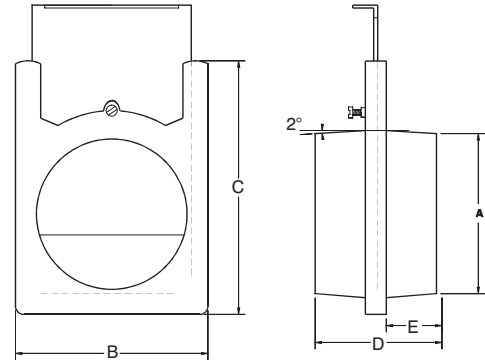
- E.&O.E. - Subject to Change Without Notice - May Not Be Available At All Locations -

BLAST GATES — FULL COLLAR

This unique concept in gate design is comprised of a one piece body and a manually opened gate.

- The one piece body construction offers consistency, reliability and insensitivity to vibration.
- Tight tolerance between the body and the gate reduces seepage to a minimum.
- Entirely fabricated from aluminum, the Blast Gate is impervious to humid environments.

ITEM #	MODEL	DESCRIPTION	CTN/QTY	WT/100
741303	FC3	3" Blast Gate	1	78
741304	FC4	4" Blast Gate	1	80
741305	FC5	5" Blast Gate	1	90
741306	FC6	6" Blast Gate	1	100
741307	FC7	7" Blast Gate	1	110
741308	FC8	8" Blast Gate	1	130
741309	FC9	9" Blast Gate	1	140
741310	FC10	10" Blast Gate	1	150
741312	FC12	12" Blast Gate	1	160
741314	FC14	14" Blast Gate	1	180



Dimensions (inches)						
SIZE (inches)	WEIGHT (lbs)	A	B	C	D	E
3	0.75	2.94	3.94	4.94	2.31	0.94
4	1.00	3.94	5.06	6.13	2.31	0.94
5	1.50	4.94	5.88	7.25	2.44	1.00
6	2.00	5.94	6.94	8.75	2.62	1.00
7	2.00	6.94	8.00	10.38	3.13	1.25
8	4.50	7.94	8.94	11.88	3.56	1.50
9	5.50	8.88	9.81	13.38	4.13	1.69
10	6.00	9.88	10.81	14.81	4.66	1.94
12	10.00	11.75	12.69	17.75	5.25	2.50
14	13.50	13.75	15.06	19.75	5.69	2.50

BIRDSCREEN — GALVANIZED

ITEM #	DESCRIPTION	SQ. FT.	CTN/QTY	WT/100
706195	1/2" x 1/2" x 36" x 100 ft.	300	*	170
706191	1/2" x 1/2" x 48" x 100 ft.	400	*	170
706197	1/4" x 1/4" x 36" x 100 ft.	300	*	200
706193	1/4" x 1/4" x 48" x 100 ft.	400	*	200
706200	3/4" x 3/4" x 48" x 100 ft.	400	*	260
706202	1" x 1" x 48" x 100 ft.	400	*	250

*Sold per full roll only.



BUTYL GASKET (SEALANT TAPE)

ITEM #	DESCRIPTION	CTN/QTY	WT/100
704930	3/4" x 3/16" x 25' Butyl Gasket	5	250



WALL THIMBLES — ROUND PIPE

ITEM #	MODEL	SIZE (")	CTN/QTY	WT/100
614153	3RWT	3	12	133
614154	4RWT	4	12	133
614155	5RWT	5	12	150
614156	6RWT	6	12	167
614157	7RWT	7	*	200
614158	8RWT	8	*	200



*Product shipped individually.

– E.&O.E. – Subject to Change Without Notice – May Not Be Available At All Locations –

TYPE B OVAL GAS VENT AND FITTINGS

4"

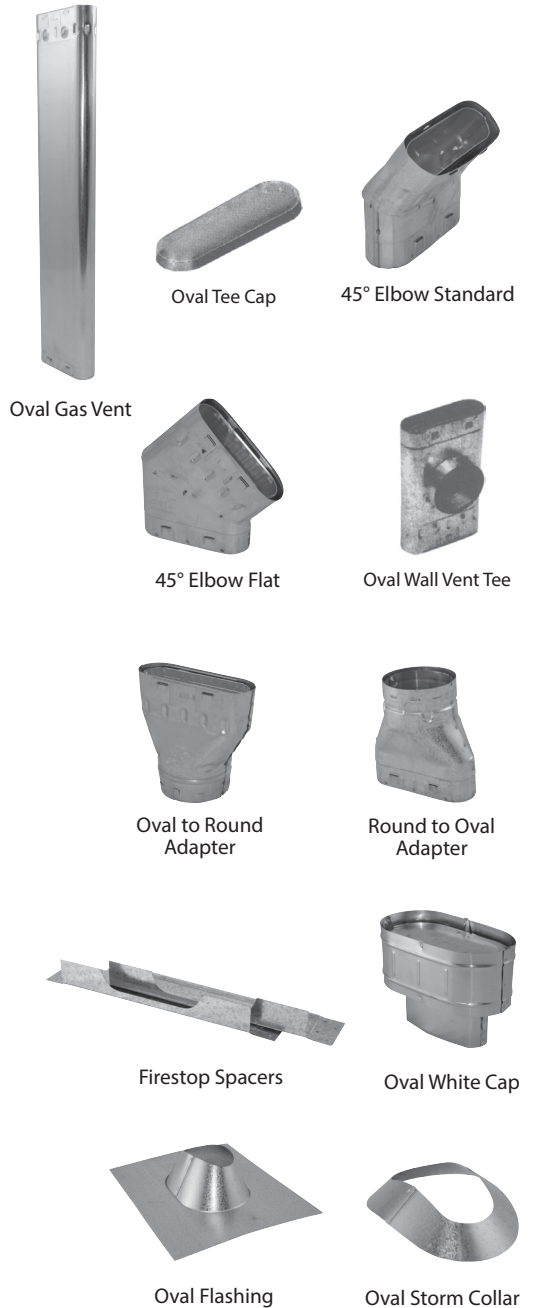
ITEM #	MODEL	DESCRIPTION	CTN/QTY	WT/100
614002	4OV5	4" x 5 ft. Oval Gas Vent	6	717
614004	4OV4	4" x 4 ft. Oval Gas Vent	6	600
614006	4OV3	4" x 3 ft. Oval Gas Vent	6	450
614008	4OV2	4" x 2 ft. Oval Gas Vent	6	300
614010	4OV18	4" x 18" Oval Gas Vent	6	233
614012	4OV12	4" x 12" Oval Gas Vent	6	150
614014	4OV6	4" x 6" Oval Gas Vent	6	83
614016	4OV12A	4" x 12" Oval Gas Vent Adj. Length	6	150
614018	4OVSL	4" x 45° Elbow – Standard	6	133
614020	4OVFL	4" x 45° Elbow – Flat	6	133
614036	4OVWVT	4" Wall Vent Tee	6	–
614022	4OV-RD	4" Oval to Round Adapter	6	100
614024	4RD-OV	4" Round to Oval Adapter	6	100
614031	4OVFS	4" Firestop Spacers 2" x 4"	25 pairs	148
614032	4OVFS6	4" Firestop Spacers 2" x 6"	*	–
614026	4OVAC	4" Oval White Cap	24	–
614030	4OVF	4" Oval Flashing	12	–
614028	4OVSC	4" Oval Storm Collar	24	–

*Product shipped individually.

5"

ITEM #	MODEL	DESCRIPTION	CTN/QTY	WT/100
614102	5OV5	5" x 5 ft. Oval Gas Vent	4	1025
614104	5OV4	5" x 4 ft. Oval Gas Vent	4	850
614106	5OV3	5" x 3 ft. Oval Gas Vent	6	616
614108	5OV2	5" x 2 ft. Oval Gas Vent	6	400
614110	5OV18	5" x 18" Oval Gas Vent	6	333
614112	5OV12	5" x 12" Oval Gas Vent	6	217
614114	5OV6	5" x 6" Oval Gas Vent	6	117
614116	5OV12A	5" x 12" Oval Gas Vent Adj. Length	6	217
614118	5OVSL	5" x 45° Elbow – Standard	6	117
614120	5OVFL	5" x 45° Elbow – Flat	6	167
614134	5OVT	5" Oval Wall Tee	6	–
614122	5OV-RD	5" Oval to Round Adapter	6	167
614124	5RD-OV	5" Round to Oval Adapter	6	167
614132	5OVFS6	5" Firestop Spacers 2" x 6"	*	–
614126	5OVAC	5" Oval White Cap	12	–
614130	5OVF	5" Oval Flashing	12	–
614128	5OVSC	5" Oval Storm Collar	*	–

*Product shipped individually.

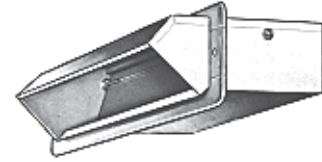




HVAC RELATED PRODUCTS

WALL CAPS — WITH DAMPER

ITEM #	MODEL	DESCRIPTION	CTN/QTY	WT/100
681730	7393-5"	3-1/4" x 10" – Galvanized – 5" Extension	10	220
681731	7393-10"	3-1/4" x 10" – Galvanized – 10" Extension	10	250



BRISTLE BRUSHES

- Disposable
- Pure bristles
- Natural wooden handle

ITEM #	DESCRIPTION	CTN/QTY	WT/100
705168	1" Bristle – Disposable Brush	12	3
705169	1-1/2" Bristle – Disposable Brush	12	4
705170	2" Bristle – Disposable Brush	12	6
705171	3" Bristle – Disposable Brush	12	7



MULT-E PURPOSE FOIL TAPE

- Seals joints in duct work and insulation
- Conforms to any shape
- High tack strength – durable
- UL approved

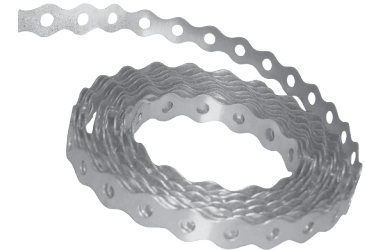
ITEM #	DESCRIPTION	CTN/QTY	WT/100
706050	2" x 50 yards Foil Tape (51 mm x 45.7 mm)	24	100
706051	3" x 50 yards Foil Tape (76 mm x 45.7 mm)	16	150
706052	2" x 50 yards FSK Foil Tape (51 mm x 45.7 mm)	24	100
706053	3" x 50 yards FSK Foil Tape (76 mm x 45.7 mm)	16	150



MULT-E STRAP

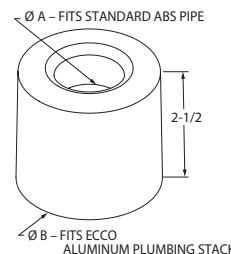
- Hundreds of uses
- Easy to bend
- Wavy edge allows easier cutting to desired lengths; also allows ease of overlapping and twisting in any configuration.

ITEM #	MODEL	DESCRIPTION	GAUGE	CTN/QTY	WT/100
682910	MS3425G	3/4" x 25 ft. – Galvanized	24	10	145
682911	MS3450G	3/4" x 50 ft. – Galvanized	24	10	290
682912	MS34100G	3/4" x 100 ft. – Galvanized	24	5	581
682914	MS1225G	1/2" x 25 ft. – Galvanized	24	10	103
682922	MS3425S	3/4" x 25 ft. – Steel	24	10	180
682926	MS3425P	3/4" x 25 ft. – PVC Coated Steel	24	10	150
682920	MS1225S	1/2" x 25 ft. – Steel	22	10	126



ALUMINUM STACK CAPS

ITEM #	SIZE (")	A (")	B (")	CTN/QTY	WT/100
379810	1-1/4	1-1/4	2	*	35
379811	1-1/2	1-1/2	2-1/2	*	40
379812	2	2	2-3/4	*	50
379813	3	3	3-3/4	*	65
379814	4	4	5	*	82



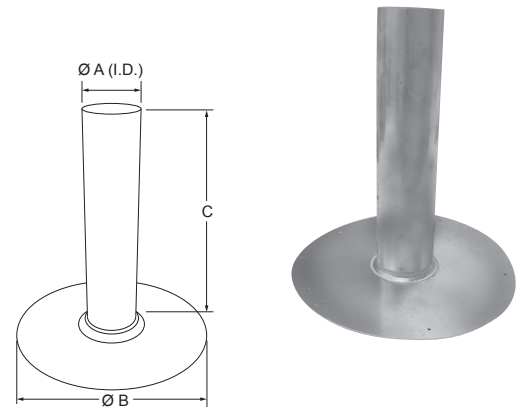
*Product shipped individually.

– E.&O.E. – Subject to Change Without Notice – May Not Be Available At All Locations –

ALUMINUM STACKS

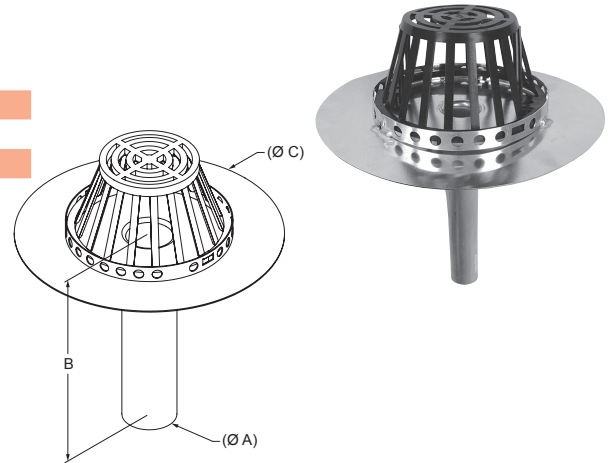
ITEM #	SIZE (")	A (")	B (")	C (")	CTN/QTY	WT/100
379800	1-1/4	1-7/8	10	12	*	105
379801	1-1/2	2-3/8	10	12	*	110
379802	2	2-5/8	11	12	*	115
379803	3	3-5/8	12	12	*	125
379804	4	4-7/8	12	12	*	135

*Product shipped individually.



ALUMINUM ROOF DRAINS — PLASTIC TOP

ITEM #	SIZE (")	A (")	B (")	C (")	CTN/QTY	WT/100
379832	2	1-3/4	11	13-1/2	10	180
379833	3	2-3/4	11	13-1/2	10	190
379834	4	3-3/4	11	13-1/2	10	200

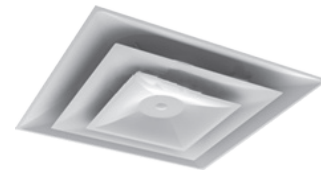


CEILING DIFFUSERS

LAY-IN T-BAR — SQUARE

Steel, high performance three cone diffuser.

ITEM #	MODEL	SIZE (")	MAX /CFM
717160	TMS-3	6 – 12 × 12	314
717170	TMS-3	8 – 12 × 12	559
717017	TMS-3	6 – 20 × 20	—
717182	TMS-3	8 – 24 × 24	559
717184	TMS-3	10 – 24 × 24	873
717186	TMS-3	12 – 24 × 24	1257
717188	TMS-3	14 – 24 × 24	1710



ROUND

Steel, round diffuser with two discharge patterns.

ITEM #	MODEL	SIZE (")	MAX /CFM
717030	TMR	6	275
717032	TMR	8	490
717034	TMR	10	763
717036	TMR	12	1100
717038	TMR	14	1490



– E.&O.E. – Subject to Change Without Notice – May Not Be Available At All Locations –

CEILING DIFFUSERS (cont'd)

ARCHITECTURAL OMNI DIFFUSER (LAY-IN T-BAR)

Steel plaque, face diffuser

ITEM #	MODEL	SIZE (")	MAX /CFM
721320	OMNI	6 – 12 × 12	274
721322	OMNI	8 – 12 × 12	489
721306	OMNI	6 – 24 × 24	274
721308	OMNI	8 – 24 × 24	489
721310	OMNI	10 – 24 × 24	763
721312	OMNI	12 – 24 × 24	1099
721314	OMNI	14 – 24 × 24	1497

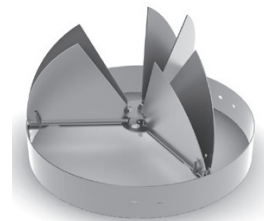


DIFFUSER DAMPERS

OPPOSED BLADE DAMPER

Steel, neck-mounted opposed blade damper. Mounts above neck.

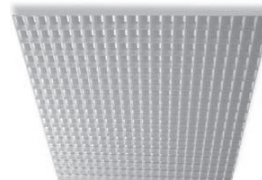
ITEM #	MODEL	DESCRIPTION	SIZE (")
721336	AG-75	Opposed Blade Damper	6
721338	AG-75	Opposed Blade Damper	8
721339	AG-75	Opposed Blade Damper	10
721340	AG-75	Opposed Blade Damper	12
721341	AG-75	Opposed Blade Damper	14



EGGCRATES

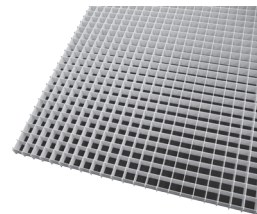
ALUMINUM

ITEM #	SIZE (")	DESCRIPTION
703142	24 × 48	White Aluminum Core



PLASTIC

ITEM #	SIZE (")	DESCRIPTION
703150	24 × 48	3/8" Thick



1/2" × 1/2" CORE

ITEM #	MODEL	DESCRIPTION	CTN/QTY
703142	24 x 48	White Aluminum	12
703150	24 x 48	3/8" Thick Styrene Plastic	15

DRYER EXHAUST DUCT ELBOWS

- 2-piece construction
- Fastening tabs for hook and twist assembly
- Notch for exact snaplock pipe fit
- Secondary securing accomplished with pre-drilled screw holes

See www.dryer-ell.com for more information.

ITEM #	MODEL	DESCRIPTION	RADIUS (")	LGTH (")	CTN/QTY	WT/100
683008	LT45	DRYER-ELL 45° Turn, 4" Diameter	10"	9	12	12
683009	LT90	DRYER-ELL 90° Turn, 4" Diameter	10"	18	12	18



– E.&O.E. – Subject to Change Without Notice – May Not Be Available At All Locations –



AIR CONNECTORS

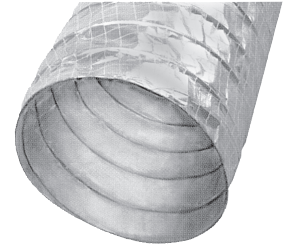
FOIL FLEX — NON-INSULATED — MODEL S-LD

Non-insulated air connector with a reinforced metallized film laminate jacket, permanently bonded to a corrosion resistant coated spring steel wire helix. For all pressure heating and cooling systems. An economical alternative where insulated duct is not required.

ITEM #	MODEL	SIZE (")	LENGTH (FT)
702977	S-LD	3	25
702978	S-LD	4	25
702979	S-LD	5	25
702980	S-LD	6	25
702982	S-LD	7	25
702984	S-LD	8	25
702986	S-LD	10	25
702988	S-LD	12	25
702989	S-LD	14	25

Specifications

Diameter:	3 – 14 inches ID
Pressure Rating:	(WG)
Positive:	10 inches (3" – 14" ID)
Negative:	1 inch (3" – 14" ID)
Velocity:	5000 FPM
Temperature Range:	-20°F to 250°F



CLASS 1 CONNECTOR

Meets UL 181
and NFPA 90A-90B Fire Codes



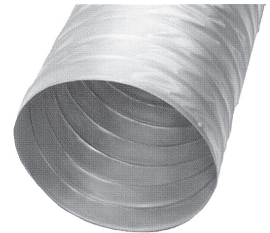
FIBERGLASS CLOTH FLEX — NON-INSULATED — MODEL SLP-10

Non-insulated air connector with extremely strong woven fiberglass fabric with flame retardant coating, permanently bonded to a corrosion resistant coated spring steel wire helix. For all pressure heating and cooling systems. A superior alternative in applications where insulated duct is not required, or cannot be used.

ITEM #	MODEL	SIZE (")	LENGTH (FT)
702899	SLP-10	2	25
702900	SLP-10	3	25
702901	SLP-10	4	25
702902	SLP-10	5	25
702903	SLP-10	6	25
702904	SLP-10	7	25
702905	SLP-10	8	25
702906	SLP-10	9	25
702907	SLP-10	10	25
702909	SLP-10	12	25
702911	SLP-10	14	25

Specifications

Diameter:	2 – 14 inches ID
Pressure Rating:	(WG)
Positive:	10 inches (2" – 14" ID)
Negative:	1 inch (2" – 14" ID)
Velocity:	5000 FPM
Temperature Range:	-20°F to 250°F



CLASS 1 CONNECTOR

Meets UL 181
and NFPA 90A-90B Fire Codes



– E.&O.E. – Subject to Change Without Notice – May Not Be Available At All Locations –



AIR DUCT

FIBERGLASS CLASS 1 CLOTH FLEX — NON-INSULATED — PRO SERIES — MODEL STL — FOR ALL PRESSURE SYSTEMS

Flexible air duct, extremely strong with heavy fiberglass cloth fabric permanently bonded to a corrosion resistant spring steel wire helix. For low to high pressure heating and cooling systems. A superior alternative in applications where insulated duct is not required or cannot be used, e.g., clean room applications. Unlike connector-rated products, S-TL is not limited to length of run.

- Easily shaped to fit oval inlets and connects to fittings fast.
- All components of S-TL, S-LP-10 and S-LD are self-extinguishing and will not support flame.
- Unique construction will not unravel when cut.
- Ideal for residential dryer and bathroom applications.

ITEM #	MODEL	SIZE (")	LENGTH (FT)	ITEM #	MODEL	SIZE (")	LENGTH (FT)
702917	STL	4	25	702913	STL	16	15
702918	STL	6	25	702914	STL	18	15
702895	STL	8	25	702916	STL	20	15
702896	STL	10	25				
702897	STL	12	25				
702898	STL	14	25				

Specifications

Diameter:	2 – 20 inches ID
Pressure Rating:	(WG)
Positive:	16 inches (2" – 10" ID); 10 inches (12" – 20" ID)
Negative:	1 inch (2" – 20" ID)
Velocity:	6000 FPM
Temperature Range:	-20°F to 250°F

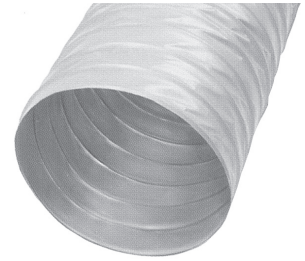
INSULATED FLEX — MODEL M-KE

Highly efficient, thermally insulated flexible duct for use in low and medium pressure heating and cooling systems. New and improved bi-directional reinforced metallized vapour barrier will not unravel. Acoustically rated, self-extinguishing chlorinated polyethylene (CPE) core easily expands over fittings. Core is permanently bonded to a coated spring steel wire helix that supports ample blanket of fiberglass insulation, providing a double air seal.

ITEM #	MODEL	SIZE (")	LENGTH (FT)	ITEM #	MODEL	SIZE (")	LENGTH (FT)
702818	M-KE	4	25	702824	M-KE	10	25
702819	M-KE	5	25	702826	M-KE	12	25
702820	M-KE	6	25	702827	M-KE	14	25
702821	M-KE	7	25	702829	M-KE	16	25
702822	M-KE	8	25	702830	M-KE	18	25
702823	M-KE	9	25				

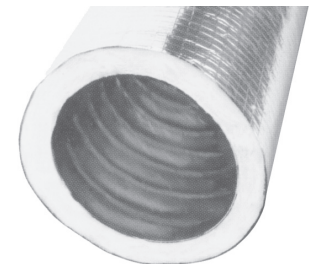
Specifications

Diameter:	4 – 20 inches ID
Pressure Rating:	(WG)
Positive:	10 inches (4" – 12" ID); 6 inches (14" – 16" ID); 4 inches (18" – 20" ID)
Negative:	1 inch (4" – 12" ID); 1/2 inch (14" – 20" ID)
Velocity:	5000 FPM
Temperature Range:	-20°F to 200°F cont. -20°F to 250°F intermittent
R-Value:	R-4.2, R-6.0, R-8.0



CLASS 1 AIR DUCT

Meets UL 181 and NFPA 90A-90B Fire Codes



CLASS 1 AIR DUCT

Meets UL 181 and NFPA 90A-90B Fire Codes



– E.&O.E. – Subject to Change Without Notice – May Not Be Available At All Locations –

AIR DUCT *(cont'd)*

INSULATED FLEX-VENT — MODEL KM 4.2

Strong polyester film laminated and encapsulating a heavy, corrosion resistant steel wire helix, forms the inner core and supports a thick blanket of fiberglass insulation. The outer vapor barrier is a new bi-directional reinforced metallized vapor barrier which will not unravel. The smooth air tight inner core of polyester is designed for low to medium pressure systems.

ITEM #	MODEL	SIZE (")	LENGTH (FT)
702858	KM 4.2	4	25
702859	KM 4.2	5	25
702860	KM 4.2	6	25
702861	KM 4.2	7	25
702862	KM 4.2	8	25
702863	KM 4.2	9	25
702864	KM 4.2	10	25
702865	KM 4.2	12	25
702866	KM 4.2	14	25
702867	KM 4.2	16	25
702868	KM 4.2	18	25
702869	KM 4.2	20	25



CLASS 1 AIR DUCT

Meets UL 181
and NFPA 90A-90B Fire Codes



Specifications

Pressure Rating:	(WG)
Positive:	10 inches (4" – 16" ID); 6 inches (18" – 20" ID)
Negative:	1/2 inch (4" – 20" ID)
Velocity:	5000 FPM
Temperature Range:	-20°F to 200°F cont.
Diameter:	4 – 20 inches ID
R-Value:	R-4.2, R-6.0, R-8.0

AIR DUCT ACCESSORY

INSULATED MYLAR SLEEVE — MODEL TSM

Energy efficient pipe insulation in either metallized or polyethylene sleeve. Thick insulation blanket with R-values of 4.2, 6.0 and 8.0. Fast and economical to install over round sheet metal duct. UL classified for pipe and equipment covering.

Made with Owens Corning™ EcoTouch® formaldehyde-free Insulation. Made with 99% natural materials and highest recycled content. Also, it is the only fiberglass insulation listed in the USDA BioPreferred Catalog.

ITEM #	MODEL	SIZE (")	LENGTH (FT)
702834	TSM	7	10
702835	TSM	8	10
702836	TSM	10	10



Specifications

Permeability Rating:	0.1
Flame Spread:	Less than 25
Smoke Developed:	Less than 50
Diameter:	4 – 18 inches
R-Value:	R-4.2, 6.0 and 8.0

– E.&O.E. – Subject to Change Without Notice – May Not Be Available At All Locations –



www.eccomfg.com

Langley Distribution

19860 Fraser Highway
Langley, British Columbia
Canada V3A 4C9

Phone: 604-530-4151
Toll Free: 1-877-955-4805
Fax: 604-533-9335

Calgary Distribution

21 – 11150 38th Street, S.E.
Calgary, Alberta
Canada T2C 2Z6

Phone: 403-720-0895
Toll Free: 1-877-955-4815
Fax: 403-720-0897

Kent Distribution

20001 87th Ave. S, Bldg E
Kent, Washington
USA 98031

Phone: 253-872-3721
Toll Free: 1-800-207-6859
Fax: 253-872-3724