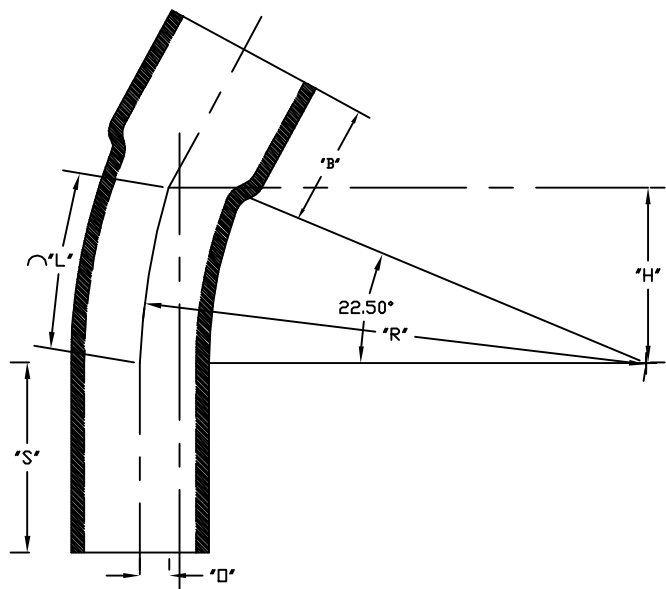


PART NUMBER	SIZE	"R"	"□"	"H"	"S" MIN	"B" MIN	"L"
XXXXXXX	½"	36"	2 ¾"	13 ¾"	1 ½"	1 ¼"	14 ⅛"
XXXXXXX	¾"	36"	2 ¾"	13 ¾"	1 ½"	¾"	14 ⅛"
XXXXXXX	1"	36"	2 ¾"	13 ¾"	1 ⅞"	⅞"	14 ⅛"
XXXXXXX	1 ¼"	36"	2 ¾"	13 ¾"	2"	1"	14 ⅛"
5233997	1 ½"	36"	2 ¾"	13 ¾"	2"	1 ⅛"	14 ⅛"
5233851	2"	36"	2 ¾"	13 ¾"	2"	1 ⅛"	14 ⅛"
5233937	2 ½"	36"	2 ¾"	13 ¾"	3"	1 ½"	14 ⅛"
5233904	3"	36"	2 ¾"	13 ¾"	3 ⅛"	1 ⅝"	14 ⅛"
XXXXXXX	3 ½"	36"	2 ¾"	13 ¾"	3 ¼"	1 11/16"	14 ⅛"
5233853	4"	36"	2 ¾"	13 ¾"	3 ⅜"	1 ¾"	14 ⅛"
XXXXXXX	5"	36"	2 ¾"	13 ¾"	3 ⅝"	2"	14 ⅛"
5233905	6"	36"	2 ¾"	13 ¾"	3 ¾"	2 ⅛"	14 ⅛"
XXXXXXX	8"	36"	2 ¾"	13 ¾"	6 ⅝"	4 ⅞"	14 ⅛"



UL Listed UL651
 UL File # E34052
 UL Category Code DZYR
 UL Control Number 41UM
 Meets NEMA TC3
 See NEC Article 352 for use
 Material is Rigid PVC
 Bend Tolerance is ±2°



CANTEX INC. Fort Worth, TEXAS		
22-1/2° Elbows Bell End Schedule 40 36" Radius Elbows		
Drawn By: CD Branch	Date: 10/15/07	Ref.