

Fig. CT-128R

Rod Threaded Ceiling Flange

Size Range: $\frac{3}{8}$ " and $\frac{1}{2}$ "

Material: Malleable iron

Finish: Copper plated

Service: Recommended for attachment to wood beams or ceiling.

Ordering: Specify rod size, figure number, name.

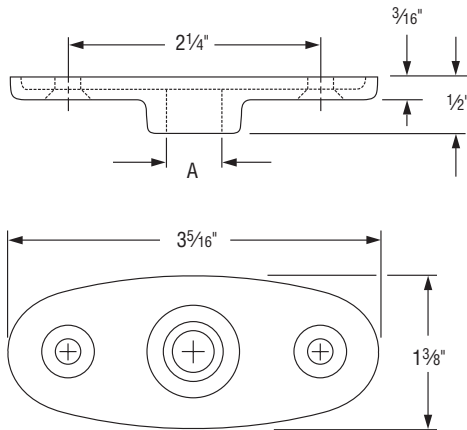


FIG. CT-128R: LOADS (LBS) • WEIGHT (LBS) • DIMENSIONS (IN)

Rod Size A	Max Load	Weight	Screws	
			Quantity	Size No.
$\frac{3}{8}$	180	0.16	2	12
$\frac{1}{2}$				

PROJECT INFORMATION		APPROVAL STAMP	
Project:		<input type="checkbox"/> Approved	
Address:		<input type="checkbox"/> Approved as noted	
Contractor:		<input type="checkbox"/> Not approved	
Engineer:		Remarks:	
Submittal Date:			
Notes 1:			
Notes 2:			