

## Forged Steel Clevis Fig. 299



### Description

**Size Range**  
3/8" through 4"

**Material**  
Forged steel

**Finish**  
Plain or  
Zinc Plated (Hot-Dip Galvanized optional)

**Service**  
For use on high temperature piping installations.

**Ordering**  
Specify rod size, figure number, name and finish. If pin and cotter pins are required, specify "with pin". If other than standard combination of clevis number and rod size is required, specify clevis number, special rod tapping size, pin size, grip.

### Features

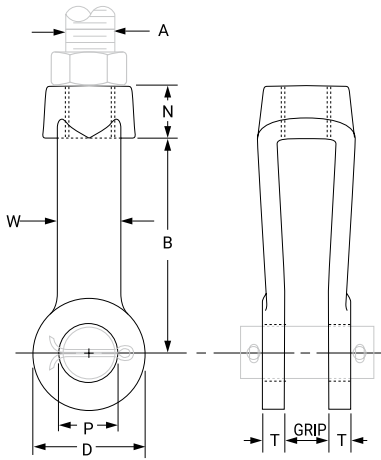
Available with pin and cotter pins, if required.

**Note:** The acceptability of galvanized coatings at temperatures above 450°F is at the discretion of the end user.



PROJECT INFORMATION	APPROVAL STAMP
Project:	Approved
Address:	Approved as noted
Contractor:	Not approved
Engineer:	Remarks:
Submittal Date:	
Notes 1:	
Notes 2:	

## Forged Steel Clevis Fig. 299



### Dimensions (In) • Loads (Lbs) • Weights (Lbs)

Rod Size A	Max Load		Weight		Rod Take Out - B	D	N	Pin Dia. P	T	W	Grip	Clevis No.
	650° F	750° F	Without Pin	With Pin								
3/8	730	572	0.9	1.0				1/2			1/2	
1/2	1,350	1,057	0.7	0.9	3 1/16	1 7/16	5/8	5/8	5/16	1 1/16		2
5/8	2,160	1,692	0.7	0.9				3/4			5/8	
3/4	3,230	2,530	2.5	3.0	4	2 1/2	1	7/8	5/16	1 5/16	3/4	2 1/2
7/8	4,480	3,508	2.5	3.4				1			7/8	
1	5,900	4,620	4.0	5.1	5	3	1 5/16	1 1/8		1 1/2	1	3
1 1/4	9,500	7,440	3.8	5.5				1 3/8	1/2		1 1/4	
1 1/2	13,800	10,807	6.0	8.5	6	3 1/2	1 5/8	1 5/8		1 3/4	1 1/2	3 1/2
1 3/4	18,600	14,566	8.0	12.9		4	1 3/4	1 7/8		2		4
2	24,600	19,265	16.0	23.3	7	5	2 1/4	2 1/4	5/8	2 1/2		5
2 1/4	32,300	25,295	26.0	35.1	8	6	2 3/4	2 1/2	3/4	3		6
2 1/2	39,900	31,169	25.5	36.0				2 3/4			2 1/2	
2 3/4	49,400	38,687	36.0	50.0	9	7	3	3	7/8	3 1/2		7
3	60,100	47,066	35.0	51.5				3 1/4				
3 1/4*	71,900	56,307	90.0	116.0				3 1/2				
3 1/2*	84,700	66,331	88.0	118.0	10	8	4	3 3/4	1 1/2	4	4	8
3 3/4*	98,500	77,139	86.0	120.0				4				
4*	113,400	88,807	84.0	122.0				4 1/4				

**Note:**

\* Furnished with 4 UN series threads.



asc-es.com

Building connections that last™