



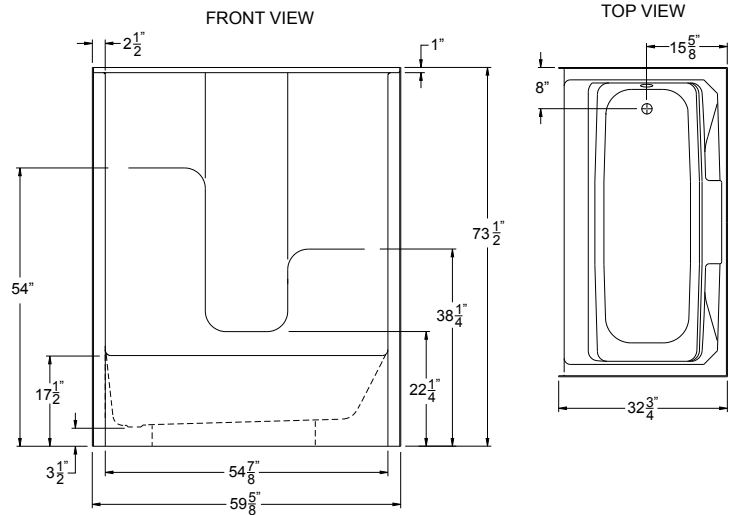
# RESIDENTIAL GELCOAT

Product Sheet

## G 6004 TS

60" x 32" x 72.5"

Enclosure: up to 54.625" x 54.25"



### FEATURES

FINISH	PRODUCT	PIECES	WALL
Gelcoat	Tub Shower	One	Smooth

*Due to the nature of the materials, dimensions may vary +/- 0.5".*

### OPTIONS

WHIRLPOOL	GELCOAT COLORS	SOLID SURFACE COLORS	ACCESSORIES
N/A	White, Bone, Biscuit	Solids or Naturals	Drain

### TECHNICAL INFORMATION

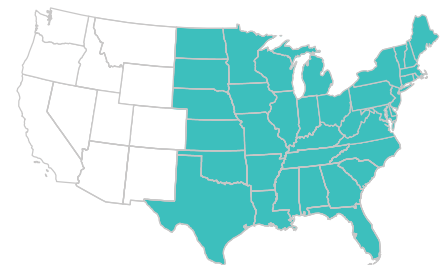
WT	LOAD FACTOR	HANDED BY	CODES
131	0.9	Drain L R	ANSI 124.1, UPC

### WARRANTY

Gelcoat - 3 Year Limited  
Solid Surface - 10 Year Limited

### AVAILABILITY

NORTHEAST	MID / SOUTH
<span style="display:inline-block; width:15px; height:15px; background-color:teal;"></span> Standard	<span style="display:inline-block; width:15px; height:15px; background-color:teal;"></span> Standard



**CUSTOMER SERVICE 800.443.7269**

435 Industrial Road | Savannah, TN 38372 | Fax 731.925.4290 | [www.praxiscompanies.com](http://www.praxiscompanies.com)

Rev. 122013