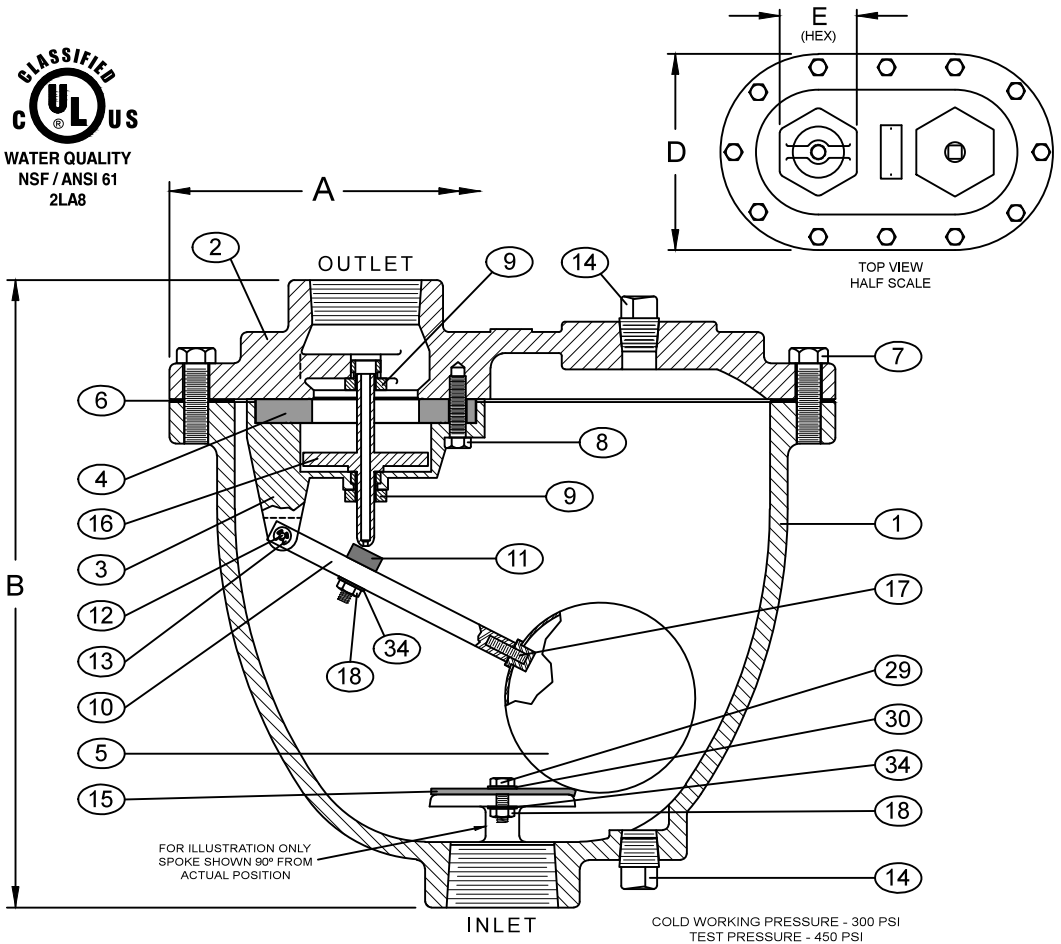




WATER QUALITY
NSF / ANSI 61
2LAB



SEE DRAWING NO. VM-201C-M FOR STANDARD MATERIALS OF CONSTRUCTION
SEE DRAWING NO. VM-201CDISV-M FOR SUPER VALVE MATERIALS OF CONSTRUCTION

VALVE SIZE	MODEL NUMBER	A	B	D	E	INLET SIZE	OUTLET SIZE	ORIFICE SIZE
2"	202C.2	14.00	13.00	8.25	3.25	2" NPT	2" NPT	3/32"

- | | | |
|---------------|--------------------|---------------------|
| 1 BODY | 8 RETAINING SCREWS | 15 CUSHION |
| 2 COVER | 9 BUSHING | 16 PLUG |
| 3 BAFFLE | 10 FLOAT ARM | 17 FLOAT RETAINER |
| 4 SEAT | 11 ORIFICE BUTTON | 18 LOCK NUT |
| 5 FLOAT | 12 PIVOT PIN | 29 CUSHION RETAINER |
| 6 GASKET | 13 RETAINING RING | 30 WASHER |
| 7 COVER BOLTS | 14 PIPE PLUG | 34 LOCK WASHER |

Revised 8-19-14 (Rev 1)

COMBINATION AIR VALVE (SINGLE BODY TYPE)

DATE 5-8-13

VAL-MATIC

VALVE AND MANUFACTURING CORP.

DRWG. NO.

VMC-202C