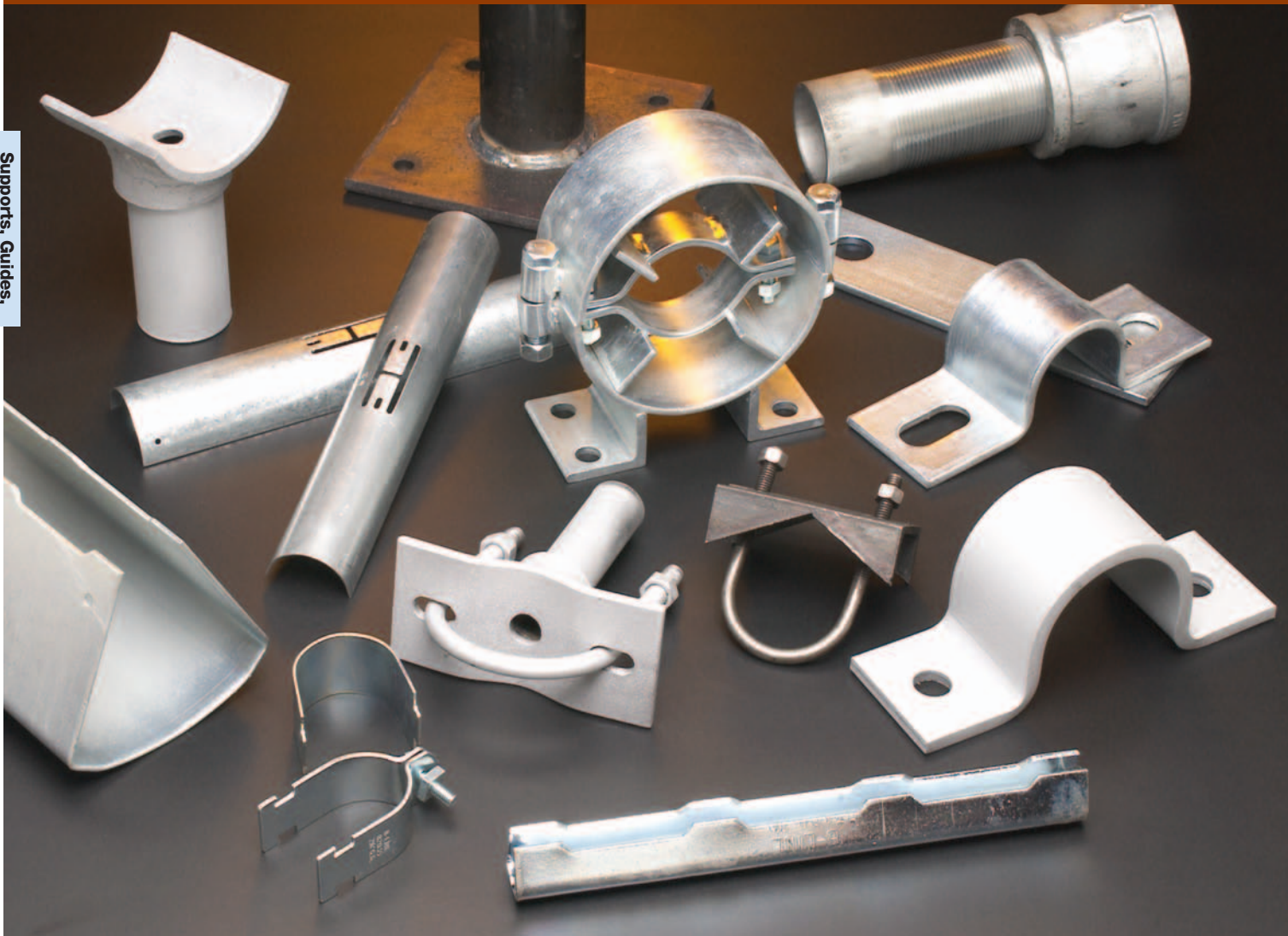


Pipe Supports, Guides, Shields & Saddles

Supports, Guides,
Shields & Saddles



Pipe supports offered in this section are designed to support pipe from a base structure where vertical adjustment may be required. Pipe guides and slides are designed to allow longitudinal movement due to thermal expansion and contraction of pipe. Protection shields and saddles are designed to prevent damage to pipe insulation.

Materials

Carbon Steel is used in the manufacturing of pipe supports, guides, shields and saddles. Stainless Steel and other materials are available.

Finishes

The standard finishes for mechanical supports are plain steel (oil coated) sometimes referred to as black and Electro-Plated Zinc (ASTM B 633 SC3). Hot-Dip Galvanized After Fabrication (ASTM A 123), Red Primer, DURA-GREEN™ and other special coatings are available upon request.

Note: Due to the design of some products, (threads, connecting hardware, swivels, etc.) items may or may not be uniformly coated with special finishes. In some cases, the hanger itself may be coated, however, the hardware may be supplied Electro-Plated, Copper plated, or in Stainless Steel.

Approvals (as noted)

Items in this section comply with Federal Specification WW-H-171E & A-A-1192A or Manufacturers Standardization Society ANSI/MSS SP-69 & SP-58.

All pipe supports in this section are sized to fit schedule 40/80 pipe unless otherwise noted. Some steel items may be specially fabricated to fit other pipe diameters i.e. ductile iron, cast iron, etc. See pipe data charts on pages 294 thru 300 for proper size selection.

Fig. B3380 thru B3387
360° Calcium Silicate Shield
Pre-Insulated Support

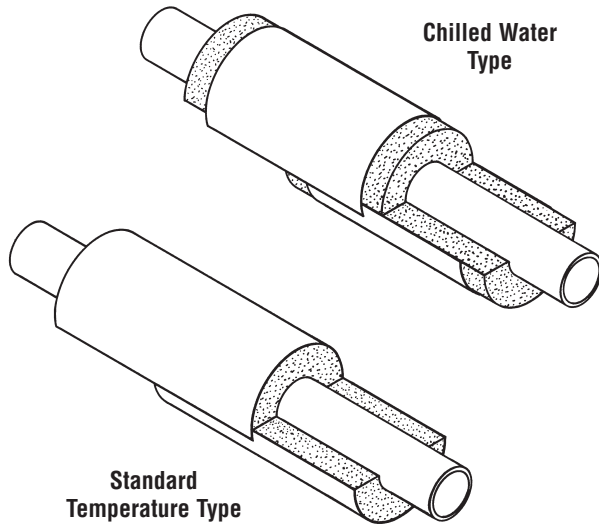
Size Range: Up to 24" (600mm)

Material: Asbestos-free, Hydrous Calcium Silicate Insulation with Pre-Galvanized steel jacket

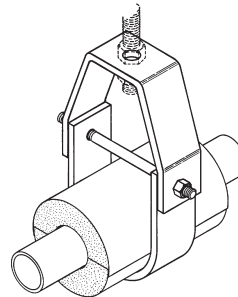
Function: Designed to provide a crush resistant insulation insert at pipe support points. Can be used with hangers or straps.

Miscellaneous Information: Flame retardant, water and rot resistant, temperature range from ambient to 1200°F (649°C). Easily installed in a pipe hanger or mounted to strut.

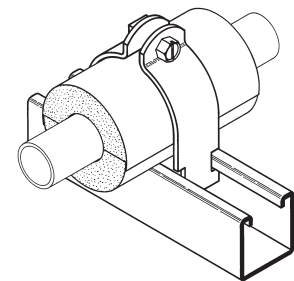
Order By: Figure number.
 (See part number legend below.)
 For additional information, contact factory.



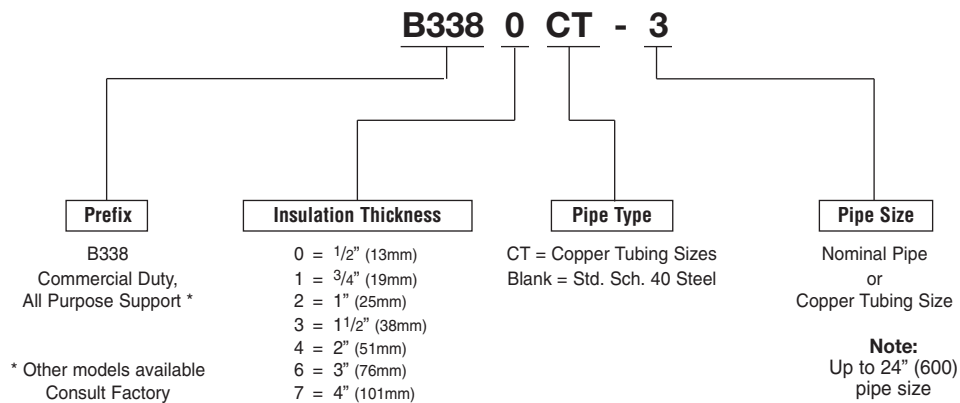
Applications



Pipe Hanger



Strut Mounted



All dimensions in charts and on drawings are in inches. Dimensions shown in parentheses are in millimeters unless otherwise specified.

Pipe Supports, Guides, Shields & Saddles

Fig. B3088 - Base Stand (TOLCO Fig. 316)

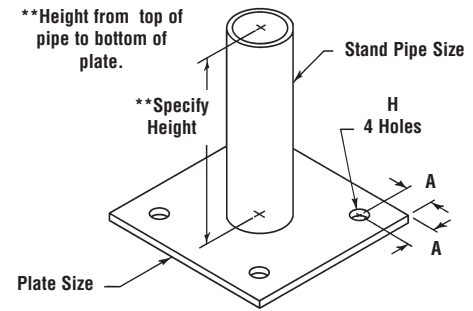
Size Range: 3/4" (20mm) thru 6" (150mm) pipe

Material: Steel

Function: Designed as an unthreaded base stand for pipe supports B3090, B3094, B3095, B3096, B3097 and B3098.

Finish: Plain or Electro-Galvanized. Contact Cooper B-Line for alternative finishes and materials.

Order By: Figure number, height and finish.



Note: Match B3088 part number with dimension 'D' from B3090, B3094, B3095, B3096, B3097 or B3098 charts.

Part No.	Plate Size		Stand Pipe Size		A		Dia. H		Approx. Wt./100*	
	in.	(mm)	in.	(mm)	in.	(mm)	in.	(mm)	Lbs.	(kg)
B3088-3/4	1/4" x 6" x 6"	(6.3 x 152.4 x 152.4)	3/4"	(20)	7/8"	(22.2)	3/4"	(14.3)	420	(190.5)
B3088-1	1/4" x 6" x 6"	(6.3 x 152.4 x 152.4)	1"	(25)	7/8"	(22.2)	3/4"	(14.3)	480	(216.0)
B3088-1 1/4	1/4" x 6" x 6"	(6.3 x 152.4 x 152.4)	1 1/4"	(32)	7/8"	(22.2)	3/4"	(14.3)	590	(267.6)
B3088-1 1/2	1/4" x 6" x 6"	(6.3 x 152.4 x 152.4)	1 1/2"	(40)	7/8"	(22.2)	3/4"	(14.3)	655	(297.1)
B3088-2	1/4" x 6" x 6"	(6.3 x 152.4 x 152.4)	2"	(50)	7/8"	(22.2)	3/4"	(14.3)	1211	(549.3)
B3088-2 1/2	3/8" x 8" x 8"	(9.5 x 203.2 x 203.2)	2 1/2"	(65)	1 1/4"	(31.7)	13/16"	(14.3)	2376	(1077.7)
B3088-3	3/8" x 12" x 12"	(9.5 x 304.8 x 304.8)	3"	(80)	1 1/2"	(38.1)	13/16"	(20.6)	3137	(1422.9)
B3088-4	1/2" x 12" x 12"	(12.7 x 304.8 x 304.8)	4"	(100)	1 1/2"	(38.1)	15/16"	(23.8)	4338	(1967.7)
B3088-6	1/2" x 18" x 18"	(12.7 x 304.8 x 304.8)	6"	(150)	1 1/2"	(38.1)	1 1/8"	(28.6)	7378	(3346.6)

*Based on a height of 18" (457.2mm).

Fig. B3088T - Threaded Base Stand (TOLCO Fig. 316T)

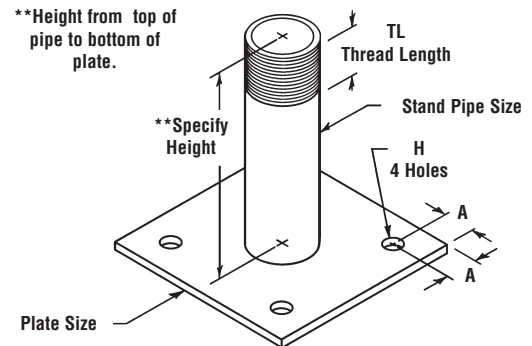
Size Range: 1" (25mm) thru 6" (150mm) pipe

Material: Steel

Function: Designed as a threaded base stand where vertical adjustment is required for pipe supports B3089, B3092, and B3093.

Finish: Plain or Electro-Galvanized. Contact Cooper B-Line for alternative finishes and materials.

Order By: Figure number, height and finish.



Note: Match B3088T part number with dimension 'D' from B3089, B3092, and B3093 charts.

Part No.	Plate Size		Stand Pipe Size		A		Dia. H		TL		Approx. Wt./100*	
	in.	(mm)	in.	(mm)	in.	(mm)	in.	(mm)	in.	(mm)	Lbs.	(kg)
B3088T-1	1/4" x 6" x 6"	(6.3 x 152.4 x 152.4)	1"	(25)	7/8"	(22.2)	3/4"	(19.0)	1 1/2"	(38.1)	495	(224.5)
B3088T-1 1/4	1/4" x 6" x 6"	(6.3 x 152.4 x 152.4)	1 1/4"	(32)	7/8"	(22.2)	3/4"	(19.0)	1 1/2"	(38.1)	583	(264.4)
B3088T-1 1/2	1/4" x 6" x 6"	(6.3 x 152.4 x 152.4)	1 1/2"	(40)	7/8"	(22.2)	3/4"	(19.0)	1 1/2"	(38.1)	649	(294.4)
B3088T-2	1/4" x 6" x 6"	(6.3 x 152.4 x 152.4)	2"	(50)	7/8"	(22.2)	3/4"	(19.0)	1 1/2"	(38.1)	785	(356.1)
B3088T-2 1/2	3/8" x 8" x 8"	(9.5 x 203.2 x 203.2)	2 1/2"	(65)	1 1/4"	(31.7)	13/16"	(20.6)	1 1/2"	(38.1)	1524	(691.3)
B3088T-3	3/8" x 12" x 12"	(9.5 x 304.8 x 304.8)	3"	(80)	1 1/2"	(38.1)	13/16"	(20.6)	1 1/2"	(38.1)	2624	(1190.2)
B3088T-4	1/2" x 12" x 12"	(12.7 x 304.8 x 304.8)	4"	(100)	1 1/2"	(38.1)	15/16"	(23.8)	2"	(50.8)	3594	(1630.2)
B3088T-6	1/2" x 18" x 18"	(12.7 x 457.2 x 457.2)	6"	(150)	1 1/2"	(38.1)	1 1/8"	(28.6)	2"	(50.8)	7346	(3332.1)

*Based on a height of 18" (457.2mm).

All dimensions in charts and on drawings are in inches. Dimensions shown in parentheses are in millimeters unless otherwise specified.

Fig. B3088S - Seismic Base Stand

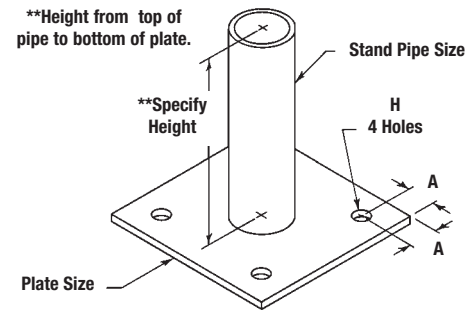
Size Range: 3/4" (20mm) thru 4" (100mm) pipe

Material: Steel

Function: Designed as an unthreaded base stand for pipe supports, B3090, B3094, B3095, B3096, B3097 and B3098, to meet requirements of 12X anchor diameter hole spacing for seismic applications. The standard B3088-3 & B3088-6 already meet this requirement.

Finish: Plain or Electro-Galvanized. Contact Cooper B-Line for alternative finishes and materials.

Order By: Figure number, height and finish.



Note: Match B3088 part number with dimension 'D' from B3090, B3094, B3095, B3096, B3097 or B3098 charts.

Part No.	Plate Size		Stand Pipe Size		A		Dia. H		Approx. Wt./100*	
	in.	(mm)	in.	(mm)	in.	(mm)	in.	(mm)	Lbs.	(kg)
B3088S-3/4	1/4" x 8" x 8"	(6.3 x 203.2 x 203.2)	3/4"	(20)	1"	(25.4)	9/16"	(14.3)	618	(280.3)
B3088S-1	1/4" x 8" x 8"	(6.3 x 203.2 x 203.2)	1"	(25)	1"	(25.4)	9/16"	(14.3)	708	(321.1)
B3088S-1 1/4	1/4" x 8" x 8"	(6.3 x 203.2 x 203.2)	1 1/4"	(32)	1"	(25.4)	9/16"	(14.3)	798	(362.0)
B3088S-1 1/2	1/4" x 8" x 8"	(6.3 x 203.2 x 203.2)	1 1/2"	(32)	1"	(25.4)	9/16"	(14.3)	858	(389.2)
B3088S-2	1/4" x 8" x 8"	(6.3 x 203.2 x 203.2)	2"	(50)	1"	(25.4)	9/16"	(14.3)	993	(450.4)
B3088S-2 1/2	3/8" x 8 1/2" x 8 1/2"	(9.5 x 215.9 x 215.9)	2 1/2"	(65)	1 1/4"	(31.7)	9/16"	(14.3)	1638	(743.0)
B3088S-4	1/2" x 13 1/2" x 13 1/2"	(12.7 x 342.9 x 342.9)	4"	(100)	1 1/2"	(38.1)	15/16"	(23.8)	4202	(1906.0)

*Based on a height of 18" (457.2mm).

Fig. B3088ST - Threaded Seismic Base Stand

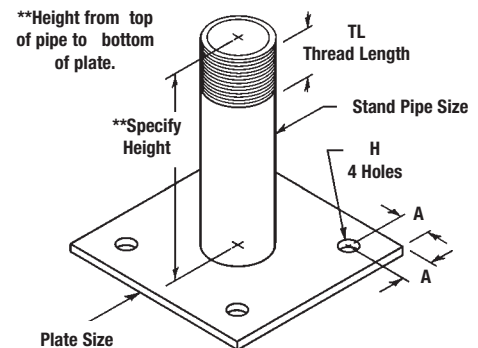
Size Range: 1" (25mm) thru 4" (100mm) pipe

Material: Steel

Function: Designed as a threaded base stand where vertical adjustment is required for pipe supports B3089, B3092, and B3093, to meet requirements of 12X anchor diameter hole spacing for seismic applications. The standard B3088T-3 & B3088T-6 already meet this requirement.

Finish: Plain or Electro-Galvanized. Contact Cooper B-Line for alternative finishes and materials.

Order By: Figure number, height and finish.



Note: Match B3088T part number with dimension 'D' from B3089, B3092, and B3093 charts.

Part No.	Plate Size		Stand Pipe Size		A		Dia. H		TL		Approx. Wt./100*	
	in.	(mm)	in.	(mm)	in.	(mm)	in.	(mm)	in.	(mm)	Lbs.	(kg)
B3088ST-1	1/4" x 8" x 8"	(6.3 x 203.2 x 203.2)	1"	(25)	1"	(25.4)	9/16"	(14.3)	1 1/2"	(38.1)	708	(321.1)
B3088ST-1 1/4	1/4" x 8" x 8"	(6.3 x 203.2 x 203.2)	1 1/4"	(32)	1"	(25.4)	9/16"	(14.3)	1 1/2"	(38.1)	798	(362.0)
B3088ST-1 1/2	1/4" x 8" x 8"	(6.3 x 203.2 x 203.2)	1 1/2"	(40)	1"	(25.4)	9/16"	(14.3)	1 1/2"	(38.1)	858	(389.2)
B3088ST-2	1/4" x 8" x 8"	(6.3 x 203.2 x 203.2)	2"	(50)	1"	(25.4)	9/16"	(14.3)	1 1/2"	(38.1)	993	(450.4)
B3088ST-2 1/2	3/8" x 8 1/2" x 8 1/2"	(9.5 x 215.9 x 215.9)	2 1/2"	(65)	1 1/4"	(31.7)	9/16"	(14.3)	1 1/2"	(38.1)	1638	(743.0)
B3088ST-4	1/2" x 13 1/2" x 13 1/2"	(12.7 x 342.9 x 342.9)	4"	(100)	1 1/2"	(38.1)	15/16"	(23.8)	2"	(50.8)	4202	(1906.0)

*Based on a height of 18" (457.2mm).

All dimensions in charts and on drawings are in inches. Dimensions shown in parentheses are in millimeters unless otherwise specified.

Pipe Supports, Guides, Shields & Saddles

Fig. B3096 - Adjustable Pipe Saddle Support (TOLCO Fig. 312)

Size Range: Size 2" (505mm) thru 12" (300mm) pipe

Material: Steel

Function: Designed to support horizontal pipe from floor stanchion where vertical adjustment is required.

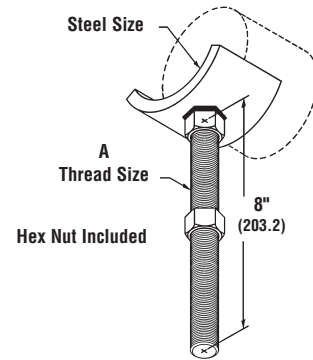
Approvals: Conforms to Federal Specification WW-H-171E & A-A-1192A, Type 39 and Manufacturers Standardization Society ANSI/MSS SP-69 & SP-58, Type 38.

Maximum Temperature: 650°F (343°C)

Finish: Plain. Contact Cooper B-Line for alternative finishes and materials.

Order By: Figure number, pipe size and finish

Supports, Guides,
Shields & Saddles



Shank will fit into Sch. 40 Pipe Size 'D' (not included)

Part No.	Pipe Size		Max. Pipe O.D.		Thread Size A	D		Steel Size		Approx. Wt./100	
	in.	(mm)	in.	(mm)		in.	(mm)	in.	(mm)	Lbs.	(kg)
B3096-2	2"	(50)	2 ³ / ₈ "	(60.3)	7/8"-9	1"	(25)	3/8" x 2"	(9.5 x 50.8)	212	(96.1)
B3096-3	3"	(80)	3 ¹ / ₂ "	(88.9)	7/8"-9	1"	(25)	3/8" x 2 ¹ / ₂ "	(9.5 x 63.5)	259	(117.5)
B3096-4	4"	(100)	4 ¹ / ₂ "	(114.3)	1"-8	1"	(25)	3/8" x 3"	(9.5 x 76.2)	370	(167.8)
B3096-5	5"	(125)	5 ⁹ / ₁₆ "	(141.3)	1"-8	1"	(25)	3/8" x 3"	(9.5 x 76.2)	404	(183.2)
B3096-6	6"	(150)	6 ⁵ / ₈ "	(168.3)	1 ¹ / ₄ "-7	1 ¹ / ₄ "	(32)	1/2" x 3 ¹ / ₂ "	(12.7 x 88.9)	714	(323.9)
B3096-8	8"	(200)	8 ⁵ / ₈ "	(219.1)	1 ¹ / ₄ "-7	1 ¹ / ₄ "	(32)	1/2" x 3 ¹ / ₂ "	(12.7 x 88.9)	819	(371.5)
B3096-10	10"	(250)	10 ³ / ₄ "	(273.0)	1 ¹ / ₂ "-6	1 ¹ / ₂ "	(40)	1/2" x 4"	(12.7 x 101.6)	1194	(541.6)
B3096-12	12"	(300)	12 ³ / ₄ "	(323.8)	1 ¹ / ₂ "-6	1 ¹ / ₂ "	(40)	1/2" x 4"	(12.7 x 101.6)	1315	(596.5)

All dimensions in charts and on drawings are in inches. Dimensions shown in parentheses are in millimeters unless otherwise specified.

Fig. B3089 - Pipe Adjuster (TOLCO Fig. 319)

Size Range: For use with 1 1/2" (40mm) thru 36" (900mm) pipe

Material: Steel

Function: Straight threaded shank that permits adjustment after installation

Approvals: Conforms to Federal Specification WW-H-171E & A-A-1192A, Type 38 and Manufacturers Standardization Society ANSI/MSS SP-69 & SP-58, Type 37, when used with B3090, B3094 and B3095 Pipe Supports.

Maximum Temperature: 650°F (343°C)

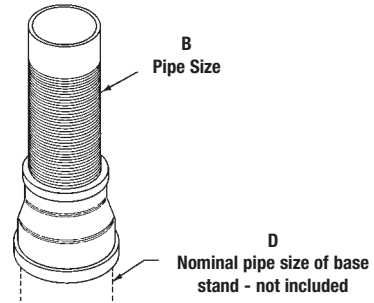
Finish: Plain. Contact Cooper B-Line for alternative finishes and materials.

Order By: Figure number and finish

Note:

If combining a Figure B3089 (Pipe adjuster) with a Figure B3090 (Pipe Support - pages 128 & 129) the catalog number will become a Figure B3092 (see pages 132 & 133).

If combining a Figure B3089 (Pipe adjuster) with a Figure B3095 (Pipe Support Saddle - pages 130 & 131) the catalog number will become a Figure B3093 (see pages 133 & 134).



Part No.	To Support Pipe Size		B		D		Approx. Wt./100	
	in.	(mm)	in.	(mm)	in.	(mm)	Lbs.	(kg)
B3089-3/4	1 1/2" - 2"	(40 - 50)	3/4"	(20)	1 1/2"	(40)	140	(63.5)
B3089-1 1/2	2 1/2" - 3 1/2"	(65 - 90)	1 1/2"	(40)	2 1/2"	(65)	400	(181.4)
B3089-2 1/2	4" - 12"	(100 - 300)	2 1/2"	(65)	3"	(80)	700	(317.5)
B3089-3	14" - 16"	(350 - 400)	3"	(80)	4"	(100)	1000	(453.6)
B3089-4	18" - 36"	(450 - 900)	4"	(100)	6"	(150)	2200	(997.9)

All dimensions in charts and on drawings are in inches. Dimensions shown in parentheses are in millimeters unless otherwise specified.

Pipe Supports, Guides, Shields & Saddles

Fig. B3090 - Pipe Support with U-Bolt (TOLCO Fig. 318)

Size Range: — 3/4" (20mm) thru 36" (900mm) pipe

Material: — Steel

Function: — Designed to support horizontal pipe from floor stanchion. U-bolts and hex nuts are provided to hold pipe securely to saddle. To complete floor stanchion, use with B3088 pipe stand.

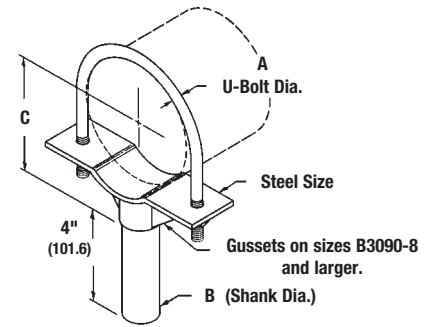
Approvals: — Conforms to Federal Specification WW-H-171E & A-A-1192A, Type 38 and Manufacturers Standardization Society ANSI/MSS SP-69 & SP-58, Type 37

Maximum Temperature: — 750°F (399°)

Finish: — Plain. Contact Cooper B-Line for alternative finishes and materials.

Order By: — Figure number and finish

Note: — For vertical adjustment see Figure B3092 (pages 132 & 133)



C
Center of pipe to
bottom lip of support.

Shank will fit into nominal
Schedule 40 pipe size 'D' of
Base Stand Figure B3088
(not included).



Part No.	Pipe Size		Max. O.D. of Pipe		Steel Size		A	
	in.	(mm)	in.	(mm)	in.	(mm)	in.	(mm)
B3090-3/4	3/4"	(20)	13/8"	(34.9)	1/4" x 1 1/2"	(6.3 x 38.1)	1/4"	(6.4)
B3090-1	1"	(25)	13/8"	(34.9)	1/4" x 1 1/2"	(6.3 x 38.1)	1/4"	(6.4)
B3090-1 1/4	1 1/4"	(32)	1 11/16"	(42.9)	1/4" x 2"	(6.3 x 50.8)	3/8"	(9.5)
B3090-1 1/2	1 1/2"	(40)	2"	(50.8)	1/4" x 2"	(6.3 x 50.8)	3/8"	(9.5)
B3090-2	2"	(50)	2 7/16"	(61.9)	1/4" x 2"	(6.3 x 50.8)	3/8"	(9.5)
B3090-2 1/2	2 1/2"	(65)	2 7/8"	(73.0)	1/4" x 3"	(6.3 x 76.2)	1/2"	(12.7)
B3090-3	3"	(80)	3 1/2"	(88.9)	1/4" x 3"	(6.3 x 76.2)	1/2"	(12.7)
B3090-3 1/2	3 1/2"	(90)	4"	(101.6)	1/4" x 3"	(6.3 x 76.2)	1/2"	(12.7)
B3090-4	4"	(100)	4 7/8"	(123.8)	3/8" x 3 1/2"	(9.5 x 88.9)	1/2"	(12.7)
B3090-5	5"	(125)	5 5/8"	(142.9)	3/8" x 3 1/2"	(9.5 x 88.9)	1/2"	(12.7)
B3090-6	6"	(150)	6 29/32"	(175.4)	1/2" x 3 1/2"	(12.7 x 88.9)	5/8"	(15.9)
B3090-8	8"	(200)	9 1/8"	(231.8)	1/2" x 3 1/2"	(12.7 x 88.9)	5/8"	(15.9)
B3090-10	10"	(250)	11 3/32"	(281.8)	1/2" x 3 1/2"	(12.7 x 88.9)	3/4"	(19.0)
B3090-12	12"	(300)	13 3/16"	(335.0)	1/2" x 3 1/2"	(12.7 x 88.9)	7/8"	(22.2)
B3090-14	14"	(350)	14"	(355.6)	5/8" x 4"	(19.0 x 101.6)	7/8"	(22.2)
B3090-16	16"	(400)	16"	(406.4)	5/8" x 4"	(19.0 x 101.6)	7/8"	(22.2)
B3090-18	18"	(450)	18"	(457.2)	3/4" x 5"	(19.0 x 127.0)	1"	(25.4)
B3090-20	20"	(500)	20"	(508.0)	3/4" x 5"	(19.0 x 127.0)	1"	(25.4)
B3090-24	24"	(600)	24"	(609.6)	1" x 5"	(25.4 x 127.0)	1"	(25.4)
B3090-30	30"	(750)	30"	(762.0)	1" x 5"	(25.4 x 127.0)	1"	(25.4)
B3090-36	36"	(900)	36"	(914.4)	1" x 5"	(25.4 x 127.0)	1"	(25.4)

Note:

4" (100) thru 12" (300) fits both steel and ductile iron pipe.

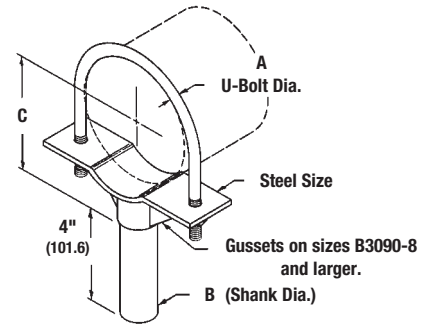
For other ductile iron pipe sizes specify B3090DI - size.

3" (80) Ductile Iron uses B3090-3 1/2

All dimensions in charts and on drawings are in inches. Dimensions shown in parentheses are in millimeters unless otherwise specified.

Pipe Supports, Guides, Shields & Saddles

Fig. B3090 - Pipe Support with U-Bolt (TOLCO Fig. 318) cont.



C
Center of pipe to
bottom lip of support.

Shank will fit into nominal
Schedule 40 pipe size 'D' of
Base Stand Figure B3088
(not included).

Note: — For vertical adjustment see Figure B3092 (pages 132 & 133)

Part No.	B		C		D		Approx. Wt./100	
	in.	(mm)	in.	(mm)	in.	(mm)	Lbs.	(kg)
B3090-3/4	3/4"	(19.0)	2"	(50.8)	3/4"	(19)	107	(48.5)
B3090-1	3/4"	(19.0)	2 ⁵ / ₃₂ "	(54.8)	3/4"	(19)	117	(53.1)
B3090-1 ¹ / ₄	3/4"	(19.0)	2 ²¹ / ₆₄ "	(59.1)	3/4"	(19)	149	(67.6)
B3090-1 ¹ / ₂	3/4"	(19.0)	2 ¹ / ₂ "	(63.5)	3/4"	(19)	166	(75.3)
B3090-2	3/4"	(19.0)	2 ¹¹ / ₁₆ "	(68.3)	3/4"	(19)	186	(84.4)
B3090-2 ¹ / ₂	1 ⁵ / ₁₆ "	(33.3)	3 ¹ / ₈ "	(79.4)	1 ¹ / ₂ "	(40)	251	(113.8)
B3090-3	1 ⁵ / ₁₆ "	(33.3)	3 ⁷ / ₁₆ "	(87.3)	1 ¹ / ₂ "	(40)	316	(143.3)
B3090-3 ¹ / ₂	1 ⁵ / ₁₆ "	(33.3)	3 ¹¹ / ₁₆ "	(93.7)	1 ¹ / ₂ "	(40)	317	(143.8)
B3090-4	2 ³ / ₈ "	(60.3)	4 ¹ / ₁₆ "	(103.2)	2 ¹ / ₂ "	(65)	586	(265.8)
B3090-5	2 ³ / ₈ "	(60.3)	4 ¹⁷ / ₃₂ "	(115.1)	2 ¹ / ₂ "	(65)	621	(281.7)
B3090-6	2 ³ / ₈ "	(60.3)	5 ⁵ / ₁₆ "	(134.9)	2 ¹ / ₂ "	(65)	895	(406.0)
B3090-8	2 ³ / ₈ "	(60.3)	6 ³ / ₄ "	(171.4)	2 ¹ / ₂ "	(65)	1115	(505.7)
B3090-10	2 ³ / ₈ "	(60.3)	7 ¹³ / ₁₆ "	(198.4)	2 ¹ / ₂ "	(65)	1423	(645.5)
B3090-12	2 ³ / ₈ "	(60.3)	8 ¹³ / ₁₆ "	(223.8)	2 ¹ / ₂ "	(65)	1846	(837.3)
B3090-14	2 ⁷ / ₈ "	(73.0)	10 ⁹ / ₁₆ "	(268.3)	3"	(80)	2593	(1176.2)
B3090-16	2 ⁷ / ₈ "	(73.0)	11 ⁹ / ₁₆ "	(293.7)	3"	(80)	2825	(1281.4)
B3090-18	4"	(101.6)	13 ⁹ / ₁₆ "	(344.5)	4"	(100)	4843	(2196.8)
B3090-20	4"	(101.6)	14 ⁹ / ₁₆ "	(369.9)	4"	(100)	5225	(2370.0)
B3090-24	4"	(101.6)	16 ⁹ / ₁₆ "	(420.7)	4"	(100)	6970	(3161.6)
B3090-30	4"	(101.6)	20 ¹¹ / ₁₆ "	(525.5)	4"	(100)	8587	(3895.0)
B3090-36	4"	(101.6)	23 ¹¹ / ₁₆ "	(601.7)	4"	(100)	9977	(4525.5)

Note:

4" (100) thru 12" (300) fits both steel and ductile iron pipe.

For other ductile iron pipe sizes specify B3090DI - size.

3" (80) Ductile Iron uses B3090-3¹/₂

All dimensions in charts and on drawings are in inches. Dimensions shown in parentheses are in millimeters unless otherwise specified.

Pipe Supports, Guides, Shields & Saddles

Fig. B3095 - Pipe Saddle Support (TOLCO Fig. 317)

Size Range: 1 1/2" (40mm) thru 36" (900mm) pipe

Material: Steel

Function: Designed to support horizontal pipe from floor stanchion. To complete floor stanchion, use with B3088 pipe stand.

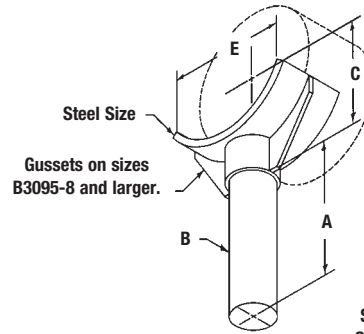
Approvals: Conforms to Federal Specification WW-H-171E & A-A-1192A, Type 37 and Manufacturers Standardization Society ANSI/MSS SP-69 & SP-58, Type 36

Maximum Temperature: 750°F (399°C)

Finish: Plain. Available in Electro-Galvanized and HDG finish or Stainless Steel materials.

Order By: Figure number and finish

Note: — For vertical adjustment see Figure B3093 (pages 134 & 135)



A
Shank Length
B
Shank Dia.
C
Center of pipe to
bottom lip of support.

Shank will fit into nominal
Schedule 40 pipe size 'D'
of Base Stand Figure B3088
(not included).

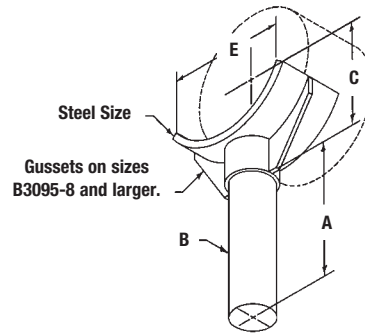


Part No.	Pipe Size		Max. O.D. of Pipe		A		B		C	
	in.	(mm)	in.	(mm)	in.	(mm)	in.	(mm)	in.	(mm)
B3095-1	1"	(25)	1 ⁵ / ₁₆ "	(33.3)	3"	(76.2)	3/4"	(19.0)	1 ²⁹ / ₃₂ "	(48.4)
B3095-1 ¹ / ₄	1 ¹ / ₄ "	(32)	1 ¹¹ / ₁₆ "	(42.9)	3"	(76.2)	3/4"	(19.0)	2 ⁵ / ₆₄ "	(52.8)
B3095-1 ¹ / ₂	1 ¹ / ₂ "	(40)	1 ¹⁵ / ₁₆ "	(49.2)	3"	(76.2)	3/4"	(19.0)	2 ¹³ / ₆₄ "	(55.9)
B3095-2	2"	(50)	2 ³ / ₈ "	(60.3)	3"	(76.2)	3/4"	(19.0)	2 ⁷ / ₁₆ "	(61.9)
B3095-2 ¹ / ₂	2 ¹ / ₂ "	(65)	2 ⁷ / ₈ "	(73.0)	4"	(101.6)	1 ⁵ / ₁₆ "	(33.3)	2 ⁹ / ₁₆ "	(65.1)
B3095-3	3"	(80)	3 ¹ / ₂ "	(88.9)	4"	(101.6)	1 ⁵ / ₁₆ "	(33.3)	3"	(76.2)
B3095-3 ¹ / ₂	3 ¹ / ₂ "	(90)	4"	(101.6)	4"	(101.6)	1 ⁵ / ₁₆ "	(33.3)	3 ¹ / ₄ "	(82.5)
B3095-4	4"	(100)	4 ⁷ / ₈ "	(123.8)	4"	(101.6)	2 ³ / ₈ "	(60.3)	3 ¹ / ₂ "	(88.9)
B3095-5	5"	(125)	5 ⁵ / ₈ "	(142.9)	4"	(101.6)	2 ³ / ₈ "	(60.3)	4 ¹ / ₃₂ "	(102.4)
B3095-6	6"	(150)	7"	(177.8)	4"	(101.6)	2 ³ / ₈ "	(60.3)	4 ¹¹ / ₁₆ "	(119.1)
B3095-8	8"	(200)	9 ¹ / ₈ "	(231.8)	4"	(101.6)	2 ³ / ₈ "	(60.3)	6 ¹ / ₁₆ "	(154.0)
B3095-10	10"	(250)	11 ¹ / ₈ "	(282.6)	4"	(101.6)	2 ³ / ₈ "	(60.3)	7 ³ / ₄ "	(196.8)
B3095-12	12"	(300)	13 ¹ / ₂ "	(342.9)	4"	(101.6)	2 ³ / ₈ "	(60.3)	8 ³ / ₄ "	(222.2)
B3095-14	14"	(350)	14"	(355.6)	4"	(101.6)	2 ⁷ / ₈ "	(72.9)	10 ³ / ₄ "	(273.0)
B3095-16	16"	(400)	16"	(406.4)	4"	(101.6)	2 ⁷ / ₈ "	(72.9)	11 ³ / ₄ "	(298.4)
B3095-18	18"	(450)	18"	(457.2)	4"	(101.6)	4"	(101.6)	14 ¹ / ₂ "	(368.3)
B3095-20	20"	(500)	20"	(508.0)	4"	(101.6)	4"	(101.6)	14 ¹ / ₂ "	(368.3)
B3095-24	24"	(600)	24"	(609.6)	4"	(101.6)	4"	(101.6)	17 ³ / ₄ "	(450.8)
B3095-30	30"	(750)	30"	(762.0)	4"	(101.6)	4"	(101.6)	21 ¹ / ₄ "	(539.7)
B3095-36	36"	(900)	36"	(914.4)	4"	(101.6)	4"	(101.6)	24 ¹ / ₄ "	(615.9)

Note:
4" (100) thru 12" (300) fits both steel and ductile iron pipe.
For other ductile iron pipe sizes specify B3095DI - size.
3" (80) Ductile Iron uses B3095-3¹/₂

All dimensions in charts and on drawings are in inches. Dimensions shown in parentheses are in millimeters unless otherwise specified.

Fig. B3095 - Pipe Saddle Support (TOLCO Fig. 317) cont.



A
Shank Length

B
Shank Dia.

C
Center of pipe to
bottom lip of support.

Shank will fit into nominal
Schedule 40 pipe size 'D'
of
Base Stand Figure B3088
(not included).

Note: — For vertical adjustment see Figure B3093 (pages 134 & 135)

Part No.	D		E		Approx. Wt./100	
	in.	(mm)	in.	(mm)	Lbs.	(kg)
B3095-1	3/4"	(20)	1 1/8"	(28.6)	49	(22.2)
B3095-1 1/4	3/4"	(20)	1 7/16"	(36.5)	81	(36.7)
B3095-1 1/2	3/4"	(20)	1 21/32"	(42.0)	88	(39.9)
B3095-2	3/4"	(20)	2 1/16"	(52.4)	94	(42.6)
B3095-2 1/2	1 1/2"	(40)	2 1/2"	(63.5)	167	(75.7)
B3095-3	1 1/2"	(40)	3 1/32"	(77.0)	176	(79.8)
B3095-3 1/2	1 1/2"	(40)	3 7/16"	(87.3)	188	(85.3)
B3095-4	2 1/2"	(65)	4 1/4"	(107.9)	364	(165.1)
B3095-5	2 1/2"	(65)	4 13/16"	(122.2)	381	(172.8)
B3095-6	2 1/2"	(65)	6 1/16"	(154.0)	534	(242.2)
B3095-8	2 1/2"	(65)	7 15/16"	(201.5)	796	(361.0)
B3095-10	2 1/2"	(65)	9 5/8"	(244.5)	914	(414.6)
B3095-12	2 1/2"	(65)	11 11/16"	(296.9)	1068	(484.4)
B3095-14	3"	(80)	12 1/8"	(308.0)	1654	(750.2)
B3095-16	3"	(80)	13 7/8"	(352.4)	1817	(824.2)
B3095-18	4"	(100)	15 19/32"	(396.1)	2798	(1269.2)
B3095-20	4"	(100)	17 5/16"	(439.7)	3018	(1368.9)
B3095-24	4"	(100)	20 25/32"	(527.8)	3018	(1368.9)
B3095-30	4"	(100)	26"	(660.4)	7624	(3458.2)
B3095-36	4"	(100)	31 3/16"	(792.2)	8877	(4026.6)

Note:

4" (100) thru 12" (300) fits both steel and ductile iron pipe.

For other ductile iron pipe sizes specify B3095DI - size.

3" (80) Ductile Iron uses B3095-3 1/2

All dimensions in charts and on drawings are in inches. Dimensions shown in parentheses are in millimeters unless otherwise specified.

Pipe Supports, Guides, Shields & Saddles

Fig. B3092 - Adjustable Pipe Saddle Support with Yoke (TOLCO Fig. 318A)

Size Range: 3/4" (20mm) thru 36" (900mm) pipe

Material: Steel with cast iron reducer

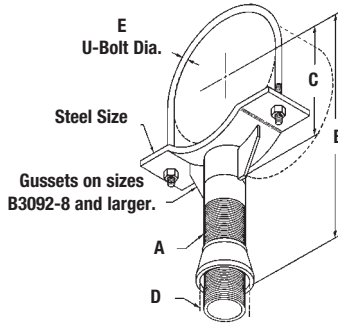
Function: Designed to support horizontal pipe from floor stanchion where vertical adjustment is required. U-bolt and hex nuts are provided to hold pipe securely to saddle. To complete floor stanchion, use with B3088T threaded pipe stand.

Approvals: Conforms to Federal Specification WW-H-171E & A-A-1192A and Manufacturers Standardization Society ANSI/MSS SP-69 & SP-58, Type 37.

Finish: Plain. Contact Cooper B-Line for alternative finishes and materials.

Order By: Figure number and finish

Notes: Order with B3088T for complete stanchion support. 4" (100mm) thru 12" (300mm) fits both steel and ductile iron pipe. For other ductile iron pipe sizes specify B3092DI - size. 3" (80mm) Ductile Iron uses B3092-3 1/2



A
Schedule 40 Pipe Size
B
Center of pipe to
bottom of pipe reducer.
C
Center of pipe to
bottom lip of support.
D
Nominal pipe size of base stand -
Figure B3088T, not included.
E
U-Bolt Dia.

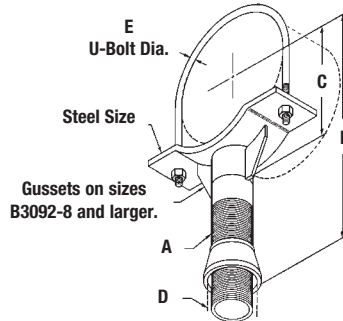


Part No.	Pipe Size		Maximum		A		Minimum B		Maximum	
	in.	(mm)	in.	(mm)	in.	(mm)	in.	(mm)	in.	(mm)
B3092-3/4	3/4"	(19)	1 3/8"	(34.9)	3/4"	(19)	5 3/4"	(146.0)	10 1/4"	(260.3)
B3092-1	1"	(25)	1 3/8"	(34.9)	3/4"	(19)	5 29/32"	(150.0)	10 13/32"	(264.3)
B3092-1 1/4	1 1/4"	(32)	1 11/16"	(42.9)	3/4"	(19)	6 5/64"	(154.4)	10 37/64"	(268.7)
B3092-1 1/2	1 1/2"	(38)	2"	(50.8)	3/4"	(19)	6 1/4"	(158.7)	10 3/4"	(273.0)
B3092-2	2"	(50)	2 7/16"	(61.9)	3/4"	(19)	6 7/16"	(163.5)	10 15/16"	(277.8)
B3092-2 1/2	2 1/2"	(65)	2 7/8"	(73.0)	1 1/2"	(40)	6 7/8"	(174.6)	11 3/8"	(288.9)
B3092-3	3"	(80)	3 1/2"	(88.9)	1 1/2"	(40)	7 3/16"	(182.6)	11 11/16"	(296.9)
B3092-3 1/2	3 1/2"	(90)	4"	(101.6)	1 1/2"	(40)	7 7/16"	(188.9)	11 15/16"	(303.2)
B3092-4	4"	(100)	4 7/8"	(123.8)	2 1/2"	(65)	7 13/16"	(198.4)	12 5/16"	(312.7)
B3092-5	5"	(125)	5 5/8"	(142.9)	2 1/2"	(65)	8 9/32"	(210.3)	12 25/32"	(324.6)
B3092-6	6"	(150)	6 29/32"	(175.4)	2 1/2"	(65)	9 1/16"	(230.2)	13 9/16"	(344.5)
B3092-8	8"	(200)	9 1/8"	(231.8)	2 1/2"	(65)	10 1/2"	(266.7)	15"	(381.0)
B3092-10	10"	(250)	11 3/32"	(281.8)	2 1/2"	(65)	11 9/16"	(293.7)	16 1/16"	(408.0)
B3092-12	12"	(300)	13 3/16"	(334.9)	2 1/2"	(65)	12 9/16"	(319.1)	17 1/16"	(433.4)
B3092-14	14"	(350)	14"	(355.6)	3"	(80)	14 5/16"	(363.5)	18 13/16"	(477.8)
B3092-16	16"	(400)	16"	(406.4)	3"	(80)	15 5/16"	(388.9)	19 13/16"	(503.2)
B3092-18	18"	(450)	18"	(457.2)	4"	(100)	17 5/16"	(439.7)	21 13/16"	(554.0)
B3092-20	20"	(500)	20"	(508.0)	4"	(100)	18 5/16"	(465.1)	22 13/16"	(579.4)
B3092-24	24"	(600)	24"	(609.6)	4"	(100)	20 5/16"	(515.9)	24 13/16"	(630.2)
B3092-30	30"	(750)	30"	(762.0)	4"	(100)	24 7/16"	(620.7)	28 15/16"	(735.0)
B3092-36	36"	(900)	36"	(914.4)	4"	(100)	27 7/16"	(696.9)	31 15/16"	(811.2)

All dimensions in charts and on drawings are in inches. Dimensions shown in parentheses are in millimeters unless otherwise specified.

Pipe Supports, Guides, Shields & Saddles

Fig. B3092 - Adjustable Pipe Saddle Support with Yoke (TOLCO Fig. 318A) cont.



A
Schedule 40 Pipe Size
B
Center of pipe to bottom of pipe reducer.
C
Center of pipe to bottom lip of support.
D
Nominal pipe size of base stand - Figure B3088T, not included.
E
U-Bolt Dia.

Supports, Guides, Shields & Saddles

Part No.	C		D		E		Saddle Steel Size		Approx. Wt./100	
	in.	(mm)	in.	(mm)	in.	(mm)	in.	(mm)	Lbs.	(kg)
B3092-3/4	2"	(50.8)	1 1/2"	(38)	1/4"	(6.4)	1/4" x 1 1/2"	(6.3 x 38.1)	247	(112.0)
B3092-1	2 5/32"	(54.8)	1 1/2"	(38)	1/4"	(6.4)	1/4" x 1 1/2"	(6.3 x 38.1)	257	(116.6)
B3092-1 1/4	2 21/64"	(59.1)	1 1/2"	(38)	3/8"	(9.5)	1/4" x 2"	(6.3 x 50.8)	289	(131.1)
B3092-1 1/2	2 1/2"	(63.5)	1 1/2"	(38)	3/8"	(9.5)	1/4" x 2"	(6.3 x 50.8)	306	(138.8)
B3092-2	2 11/16"	(68.3)	1 1/2"	(38)	3/8"	(9.5)	1/4" x 2"	(6.3 x 50.8)	326	(147.9)
B3092-2 1/2	3 1/8"	(79.4)	2 1/2"	(65)	1/2"	(12.7)	1/4" x 3"	(6.3 x 76.2)	651	(295.3)
B3092-3	3 7/16"	(87.3)	2 1/2"	(65)	1/2"	(12.7)	1/4" x 3"	(6.3 x 76.2)	716	(324.8)
B3092-3 1/2	3 11/16"	(93.7)	2 1/2"	(65)	1/2"	(12.7)	1/4" x 3"	(6.3 x 76.2)	717	(325.2)
B3092-4	4 1/4"	(107.9)	3"	(80)	1/2"	(12.7)	3/8" x 3 1/2"	(9.5 x 88.9)	1286	(583.3)
B3092-5	4 9/16"	(115.9)	3"	(80)	1/2"	(12.7)	3/8" x 3 1/2"	(9.5 x 88.9)	1321	(599.2)
B3092-6	5 1/2"	(139.7)	3"	(80)	5/8"	(15.9)	1/2" x 3 1/2"	(12.7 x 88.9)	1595	(723.5)
B3092-8	7"	(177.8)	3"	(80)	5/8"	(15.9)	1/2" x 3 1/2"	(12.7 x 88.9)	1815	(823.3)
B3092-10	8"	(203.2)	3"	(80)	3/4"	(19.0)	1/2" x 3 1/2"	(12.7 x 88.9)	2123	(963.0)
B3092-12	9 3/16"	(233.4)	3"	(80)	7/8"	(22.2)	1/2" x 3 1/2"	(12.7 x 88.9)	2546	(1154.8)
B3092-14	10 9/16"	(268.3)	4"	(100)	7/8"	(22.2)	5/8" x 4"	(15.9 x 101.6)	3593	(1629.8)
B3092-16	11 9/16"	(293.7)	4"	(100)	7/8"	(22.2)	5/8" x 4"	(15.9 x 101.6)	3825	(1735.0)
B3092-18	13 9/16"	(344.5)	6"	(150)	1"	(25.4)	3/4" x 5"	(19.0 x 127.0)	7043	(3194.7)
B3092-20	14 9/16"	(369.9)	6"	(150)	1"	(25.4)	3/4" x 5"	(19.0 x 127.0)	7425	(3368.0)
B3092-24	16 9/16"	(420.7)	6"	(150)	1"	(25.4)	1" x 5"	(25.4 x 127.0)	9170	(4159.5)
B3092-30	20 11/16"	(525.5)	6"	(150)	1"	(25.4)	1" x 5"	(25.4 x 127.0)	10787	(4893.0)
B3092-36	23 11/16"	(601.7)	6"	(150)	1"	(25.4)	1" x 5"	(25.4 x 127.0)	12177	(5523.5)

All dimensions in charts and on drawings are in inches. Dimensions shown in parentheses are in millimeters unless otherwise specified.

Pipe Supports, Guides, Shields & Saddles

Supports, Guides, Shields & Saddles

Fig. B3093 - Adjustable Pipe Saddle Support (TOLCO Fig. 317A)

Size Range: 1" (25mm) thru 36" (900mm) pipe

Material: Steel with cast iron reducer

Function: Designed to support horizontal pipe from floor stanchion where vertical adjustment is required. U-bolt and hex nuts are provided to hold pipe securely to saddle. To complete floor stanchion, use with B3088T threaded pipe stand.

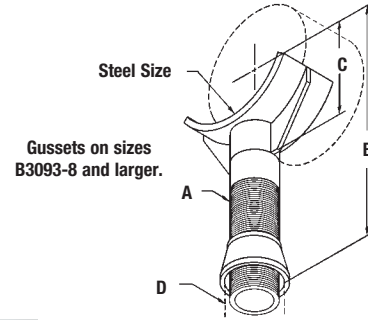
Approvals: Conforms to Federal Specification WW-H-171E & A-A-1192A, Type 38 and Manufacturers Standardization Society ANSI/MSS SP-69 & SP-58, Type 37.

Finish: Plain. Contact Cooper B-Line for alternative finishes and materials.

Order By: Figure number and finish

Note: Order with B3088T for complete stanchion support.

- A
Schedule 40 Pipe Size
- B
Center of pipe to bottom of pipe reducer.
- C
Center of pipe to bottom lip of support.
- D
Nominal pipe size of base stand - Figure B3088T, not included.



Part No.	Pipe Size		Maximum		A		Minimum		B		C	
	in.	(mm)	in.	(mm)	in.	(mm)	in.	(mm)	in.	(mm)	in.	(mm)
B3093-1	1"	(25)	1 ⁵ / ₁₆ "	(33.3)	3/4"	(20)	5 ²¹ / ₃₂ "	(143.6)	10 ⁵ / ₃₂ "	(257.9)	1 ²⁹ / ₃₂ "	(48.4)
B3093-1 ¹ / ₄	1 ¹ / ₄ "	(32)	1 ¹¹ / ₁₆ "	(42.9)	3/4"	(20)	5 ⁵³ / ₆₄ "	(148.0)	10 ²¹ / ₆₄ "	(2262.3)	2 ⁵ / ₆₄ "	(52.8)
B3093-1 ¹ / ₂	1 ¹ / ₂ "	(40)	1 ²⁹ / ₃₂ "	(48.4)	3/4"	(20)	6"	(152.4)	10 ¹ / ₂ "	(266.7)	2 ¹ / ₄ "	(58.1)
B3093-2	2"	(50)	2 ³ / ₈ "	(60.3)	3/4"	(20)	6 ³ / ₁₆ "	(157.2)	10 ¹¹ / ₁₆ "	(271.5)	2 ⁷ / ₁₆ "	(61.9)
B3093-2 ¹ / ₂	2 ¹ / ₂ "	(65)	2 ⁷ / ₈ "	(73.0)	1 ¹ / ₂ "	(40)	6 ⁵ / ₁₆ "	(160.3)	10 ¹³ / ₁₆ "	(274.6)	2 ⁹ / ₁₆ "	(65.1)
B3093-3	3"	(80)	3 ¹ / ₂ "	(88.9)	1 ¹ / ₂ "	(40)	6 ⁵ / ₈ "	(168.3)	11 ¹ / ₈ "	(282.6)	2 ⁷ / ₈ "	(73.0)
B3093-3 ¹ / ₂	3 ¹ / ₂ "	(90)	4"	(101.6)	1 ¹ / ₂ "	(40)	6 ⁷ / ₈ "	(174.6)	11 ³ / ₈ "	(288.9)	3 ¹ / ₈ "	(79.4)
B3093-4	4"	(100)	4 ⁷ / ₈ "	(123.8)	2 ¹ / ₂ "	(65)	7 ¹ / ₄ "	(184.1)	11 ³ / ₄ "	(298.4)	3 ¹ / ₂ "	(88.9)
B3093-5	5"	(125)	5 ⁹ / ₁₆ "	(141.3)	2 ¹ / ₂ "	(65)	7 ²⁵ / ₃₂ "	(197.6)	12 ⁹ / ₃₂ "	(311.9)	4 ¹ / ₃₂ "	(102.4)
B3093-6	6"	(150)	7"	(177.8)	2 ¹ / ₂ "	(65)	8 ⁷ / ₁₆ "	(214.3)	12 ¹⁵ / ₁₆ "	(328.6)	4 ¹ / ₁₆ "	(119.1)
B3093-8	8"	(200)	9 ¹ / ₈ "	(231.8)	2 ¹ / ₂ "	(65)	10 ¹ / ₄ "	(260.3)	14 ³ / ₄ "	(374.6)	6 ¹ / ₂ "	(165.1)
B3093-10	10"	(250)	11 ¹ / ₈ "	(282.6)	2 ¹ / ₂ "	(65)	11 ⁵ / ₁₆ "	(287.3)	15 ¹³ / ₁₆ "	(401.6)	7 ⁹ / ₁₆ "	(192.1)
B3093-12	12"	(300)	13 ¹ / ₂ "	(342.9)	2 ¹ / ₂ "	(65)	12 ¹ / ₈ "	(308.0)	16 ⁵ / ₈ "	(422.3)	8 ³ / ₈ "	(212.7)
B3093-14	14"	(350)	14"	(355.6)	3"	(80)	14 ¹ / ₂ "	(368.3)	19"	(482.6)	10 ³ / ₄ "	(273.0)
B3093-16	16"	(400)	16"	(406.4)	3"	(80)	15 ¹ / ₂ "	(393.7)	20"	(508.0)	11 ³ / ₄ "	(298.4)
B3093-18	18"	(450)	18"	(457.2)	4"	(100)	17 ¹ / ₄ "	(438.1)	21 ³ / ₄ "	(552.4)	13 ¹ / ₂ "	(342.9)
B3093-20	20"	(500)	20"	(508.0)	4"	(100)	18 ¹ / ₄ "	(463.5)	22 ³ / ₄ "	(577.8)	14 ¹ / ₂ "	(368.3)
B3093-24	24"	(600)	24"	(609.6)	4"	(100)	21 ¹ / ₂ "	(546.1)	26"	(660.4)	17 ³ / ₄ "	(450.8)
B3093-30	30"	(750)	30"	(762.0)	4"	(100)	24 ⁵ / ₈ "	(625.5)	29 ¹ / ₈ "	(739.8)	20 ⁷ / ₈ "	(530.2)
B3093-36	36"	(900)	36"	(914.4)	4"	(100)	27 ⁵ / ₈ "	(701.7)	32 ¹ / ₈ "	(816.0)	23 ⁷ / ₈ "	(606.4)

Note:
 4" (100) thru 12" (300) fits both steel and ductile iron pipe.
 For other ductile iron pipe sizes specify B3093DI - size.
 3" (80) Ductile Iron uses B3093-3¹/₂

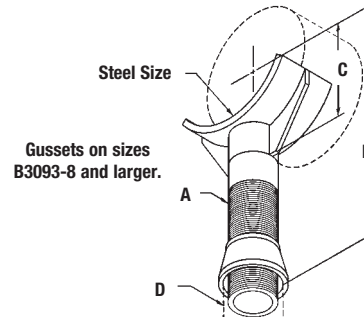
All dimensions in charts and on drawings are in inches. Dimensions shown in parentheses are in millimeters unless otherwise specified.

Pipe Supports, Guides, Shields & Saddles

Fig. B3093 - Adjustable Pipe Saddle Support (TOLCO Fig. 317A) cont.



- A
Schedule 40 Pipe Size
- B
Center of pipe to bottom of pipe reducer.
- C
Center of pipe to bottom lip of support.
- D
Nominal pipe size of base stand - Figure B3088T, not included.



Supports, Guides, Shields & Saddles

Part No.	D		Saddle Steel Size		Approx. Wt./100			
	in.	(mm)	in.	(mm)	Complete		Saddle Only	
					Lbs.	(kg)	Lbs.	(kg)
B3093-1	1 1/2"	(40)	1/4" x 1 3/4"	(6.3 x 44.4)	189	(85.7)	49	(22.2)
B3093-1 1/4	1 1/2"	(40)	1/4" x 1 3/4"	(6.3 x 44.4)	221	(100.2)	81	(36.7)
B3093-1 1/2	1 1/2"	(40)	1/4" x 1 3/4"	(6.3 x 44.4)	228	(103.4)	88	(39.9)
B3093-2	1 1/2"	(40)	1/4" x 1 3/4"	(6.3 x 44.4)	234	(106.1)	94	(42.6)
B3093-2 1/2	2 1/2"	(65)	1/4" x 3"	(6.3 x 76.2)	567	(257.2)	167	(75.8)
B3093-3	2 1/2"	(65)	1/4" x 3"	(6.3 x 76.2)	576	(261.3)	176	(79.9)
B3093-3 1/2	2 1/2"	(65)	1/4" x 3"	(6.3 x 76.2)	588	(266.7)	188	(85.3)
B3093-4	3"	(80)	1/4" x 4"	(6.3 x 101.6)	1064	(482.6)	364	(165.1)
B3093-5	3"	(80)	1/4" x 4"	(6.3 x 101.6)	1081	(490.3)	381	(172.8)
B3093-6	3"	(80)	3/8" x 4"	(9.5 x 101.6)	1234	(559.7)	534	(242.2)
B3093-8	3"	(80)	3/8" x 4"	(9.5 x 101.6)	1496	(678.6)	796	(361.1)
B3093-10	3"	(80)	3/8" x 4"	(9.5 x 101.6)	1614	(732.1)	914	(414.6)
B3093-12	3"	(80)	3/8" x 4"	(9.5 x 101.6)	1768	(801.9)	1068	(484.4)
B3093-14	4"	(100)	3/8" x 5"	(9.5 x 127.0)	2654	(1203.8)	1654	(750.2)
B3093-16	4"	(100)	3/8" x 5"	(9.5 x 127.0)	2817	(1277.8)	1817	(824.2)
B3093-18	6"	(150)	1/2" x 5"	(12.7 x 127.0)	4998	(2267.1)	2798	(1269.1)
B3093-20	6"	(150)	1/2" x 5"	(12.7 x 127.0)	5218	(2366.8)	3018	(1368.9)
B3093-24	6"	(150)	1/2" x 6"	(12.7 x 152.4)	6346	(2878.5)	4146	(1880.6)
B3093-30	6"	(150)	1" x 6"	(25.4 x 152.4)	9824	(4456.1)	7624	(3458.2)
B3093-36	6"	(150)	1" x 6"	(25.4 x 152.4)	11077	(5024.4)	8877	(4026.5)

Note:
 4" (100) thru 12" (300) fits both steel and ductile iron pipe.
 For other ductile iron pipe sizes specify B3093DI - size.
 3" (80) Ductile Iron uses B3093-3 1/2

All dimensions in charts and on drawings are in inches. Dimensions shown in parentheses are in millimeters unless otherwise specified.

Pipe Supports, Guides, Shields & Saddles

Fig. B3097 - Pipe Saddle With Strap (TOLCO Fig. 311)

Size Range: Size 4" (100mm) thru 36" (900mm) pipe

Material: Steel

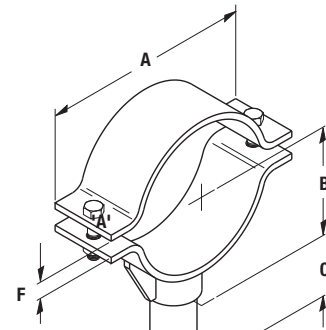
Function: Designed to support horizontal pipe from floor stanchion. Top clamp holds pipe securely to saddle. To complete floor stanchion use with B3088 pipe stand.

Finish: Plain. Contact Cooper B-Line for alternative finishes and materials.

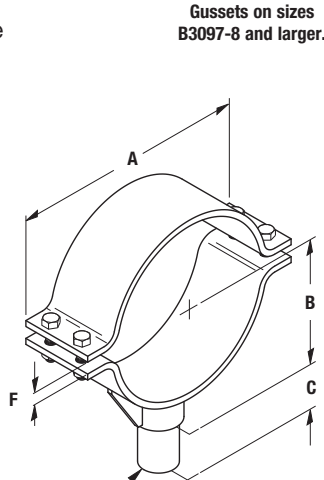
Order By: Figure number, pipe size and finish

Note: — For vertical adjustment use with Figure B3089 (Pipe Adjuster - page 127) and Figure B3088T (Threaded Pipe Stand - page 124).

Supports, Guides, Shields & Saddles



'D' Shank Diameter
Shank will fit into nominal Schedule 40 pipe size 'E' of Base Stand Figure B3088 (not included).
Sizes 4" (100mm) thru 12" (300mm)



'D' Shank Diameter
Shank will fit into nominal Schedule 40 pipe size 'E' of Base Stand Figure B3088 (not included).
Sizes 14" (350mm) thru 36" (900mm)

Part No.	Pipe Size		A		B		C		D		E		F		Bolt Size	Approx. Wt./100	
	in.	(mm)	in.	(mm)	in.	(mm)	in.	(mm)	in.	(mm)	in.	(mm)	in.	(mm)		Lbs.	(kg)
B3097-4	4"	(100)	7"	(123.8)	3 ³ / ₁₆ "	(65)	2"	(50.8)	2 ³ / ₈ "	(60.3)	2 ¹ / ₂ "	(63.5)	3/4"	(19.0)	1/2"-13	1050	(476.4)
B3097-5	5"	(125)	8 ⁵ / ₈ "	(141.3)	4 ³ / ₁₆ "	(65)	2"	(50.8)	2 ³ / ₈ "	(60.3)	2 ¹ / ₂ "	(63.5)	3/4"	(19.0)	1/2"-13	1162	(527.1)
B3097-6	6"	(150)	11"	(177.8)	4 ⁷ / ₈ "	(65)	2"	(50.8)	2 ³ / ₈ "	(60.3)	2 ¹ / ₂ "	(63.5)	7/8"	(22.2)	5/8"-11	1371	(622.0)
B3097-8	8"	(200)	12 ⁷ / ₈ "	(231.8)	6 ¹⁵ / ₁₆ "	(65)	2"	(50.8)	2 ³ / ₈ "	(60.3)	2 ¹ / ₂ "	(63.5)	1"	(25.4)	5/8"-11	1751	(794.4)
B3097-10	10"	(250)	16 ¹ / ₄ "	(282.6)	7 ¹⁵ / ₁₆ "	(65)	2"	(50.8)	2 ³ / ₈ "	(60.3)	2 ¹ / ₂ "	(63.5)	1"	(25.4)	3/4"-10	2174	(986.3)
B3097-12	12"	(300)	18 ¹ / ₄ "	(342.9)	9 ¹ / ₈ "	(65)	3"	(76.2)	2 ³ / ₈ "	(60.3)	2 ¹ / ₂ "	(63.5)	1"	(25.4)	3/4"-10	2496	(1132.2)
B3097-14	14"	(350)	19 ³ / ₄ "	(355.6)	10 ¹ / ₂ "	(80)	3"	(76.2)	2 ⁷ / ₈ "	(73.0)	3"	(76.2)	1 ¹ / ₈ "	(28.6)	3/4"-10	5220	(2367.8)
B3097-16	16"	(400)	22 ³ / ₄ "	(406.4)	11 ¹ / ₂ "	(80)	3"	(76.2)	2 ⁷ / ₈ "	(73.0)	3"	(76.2)	1 ¹ / ₈ "	(28.6)	3/4"-10	5965	(2705.6)
B3097-18	18"	(450)	25 ⁷ / ₈ "	(457.2)	13 ¹ / ₂ "	(100)	4"	(101.6)	3 ³ / ₄ "	(95.2)	4"	(101.6)	1 ¹ / ₄ "	(31.7)	3/4"-10	7265	(3295.3)
B3097-20	20"	(500)	27 ³ / ₄ "	(508.0)	14 ¹ / ₂ "	(100)	4"	(101.6)	3 ³ / ₄ "	(95.2)	4"	(101.6)	1 ³ / ₈ "	(34.9)	3/4"-10	7722	(3502.8)
B3097-22	22"	(550)	29 ³ / ₄ "	(609.6)	15 ¹ / ₂ "	(100)	4"	(101.6)	3 ³ / ₄ "	(95.2)	4"	(101.6)	1 ³ / ₈ "	(34.9)	3/4"-10	8336	(3781.3)
B3097-24	24"	(600)	33"	(609.6)	17 ¹ / ₂ "	(100)	4"	(101.6)	3 ³ / ₄ "	(95.2)	4"	(101.6)	1 ⁵ / ₈ "	(41.3)	7/8"-9	9583	(4346.8)
B3097-26	26"	(650)	35"	(762.0)	18 ¹ / ₂ "	(100)	4"	(101.6)	3 ³ / ₄ "	(95.2)	4"	(101.6)	2"	(50.8)	7/8"-9	9913	(4496.4)
B3097-30	30"	(750)	41 ³ / ₈ "	(762.0)	20 ⁵ / ₈ "	(100)	4"	(101.6)	3 ³ / ₄ "	(95.2)	4"	(101.6)	2"	(50.8)	7/8"-9	13778	(6249.6)
B3097-32	32"	(800)	43 ³ / ₈ "	(762.0)	21 ⁵ / ₈ "	(100)	4"	(101.6)	3 ³ / ₄ "	(95.2)	4"	(101.6)	2"	(50.8)	7/8"-9	14481	(6568.6)
B3097-36	36"	(900)	47 ³ / ₈ "	(1203.2)	23 ⁵ / ₈ "	(600.1)	4"	(101.6)	3 ³ / ₄ "	(95.2)	4"	(101.6)	2"	(50.8)	7/8"-9	15767	(7151.8)

All dimensions in charts and on drawings are in inches. Dimensions shown in parentheses are in millimeters unless otherwise specified.

Fig. B3098 - Adjustable Pipe Support With U-Bolt (TOLCO Fig. 313)

Size Range: 2" (50mm) thru 12" (300mm) pipe

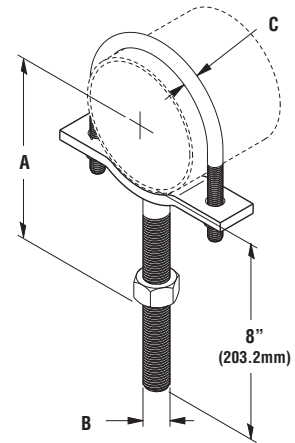
Material: Steel

Function: Designed to support horizontal pipe from floor stanchion where vertical adjustment is required. U-bolt and hex nuts are provided to hold pipe securely to saddle.

Maximum Temperature: 650°F (343°C)

Finish: Plain. Contact Cooper B-Line for alternative finishes and materials.

Order By: Figure number and finish



Part No.	Pipe Size		Max. Pipe O.D.		A		Bolt Size B	C		Use With B3088 Pipe Stand	Approx. Wt./100	
	in.	(mm)	in.	(mm)	in.	(mm)		in.	(mm)		Lbs.	(kg)
B3098-2	2"	(50)	2 ³ / ₄ "	(69.8)	6"	(152.4)	7/8"-9	3/8"	(9.5)	1"	210	(95.2)
B3098-2 ¹ / ₂	2 ¹ / ₂ "	(650)	3 ¹ / ₄ "	(82.5)	6 ¹ / ₂ "	(165.1)	7/8"-9	3/8"	(9.5)	1"	219	(99.3)
B3098-3	3"	(80)	3 ¹ / ₂ "	(88.9)	6 ³ / ₄ "	(171.4)	7/8"-9	1/2"	(12.7)	1"	240	(108.8)
B3098-3 ¹ / ₂	3 ¹ / ₂ "	(90)	3 ¹ / ₂ "	(88.9)	6 ³ / ₄ "	(171.4)	7/8"-9	1/2"	(12.7)	1"	240	(108.8)
B3098-4	4"	(100)	4 ¹ / ₄ "	(107.9)	7 ¹ / ₂ "	(190.5)	1"-8	1/2"	(12.7)	1"	340	(154.2)
B3098-5	5"	(125)	4 ¹ / ₂ "	(114.3)	7 ³ / ₄ "	(196.8)	1"-8	1/2"	(12.7)	1"	360	(163.3)
B3098-6	6"	(150)	5 ⁵ / ₈ "	(142.9)	8 ³ / ₈ "	(212.7)	1 ¹ / ₄ "-7	5/8"	(15.9)	1 ¹ / ₄ "	580	(263.1)
B3098-8	8"	(200)	6 ³ / ₄ "	(171.4)	9 ¹ / ₂ "	(241.2)	1 ¹ / ₄ "-7	5/8"	(15.9)	1 ¹ / ₄ "	640	(290.3)
B3098-10	10"	(250)	8"	(203.2)	10"	(254.0)	1 ¹ / ₄ "-7	3/4"	(19.0)	1 ¹ / ₄ "	1060	(480.8)
B3098-12	12"	(300)	9 ¹ / ₄ "	(234.9)	11 ¹ / ₄ "	(285.7)	1 ¹ / ₄ "-7	7/8"	(22.2)	1 ¹ / ₄ "	1060	(480.8)

All dimensions in charts and on drawings are in inches. Dimensions shown in parentheses are in millimeters unless otherwise specified.

Pipe Supports, Guides, Shields & Saddles

Supports, Guides, Shields & Saddles

Fig. B3094 - Flange Support (TOLCO Fig. 314)

Size Range: 4" (100mm) thru 36" (900mm) pipe

Material: Steel

Function: Designed to support 125 lb. cast iron and 150 lb. forged steel flanged connections. (Consult factory for other flanged bolt patterns). To complete floor stanchion, use B3088 pipe stand.

Approvals: Conforms to Federal Specification WW-H-171E & A-A-1192A, Type 38 and Manufacturers Standardization Society ANSI/MSS SP-69 & SP-58, Type 37.

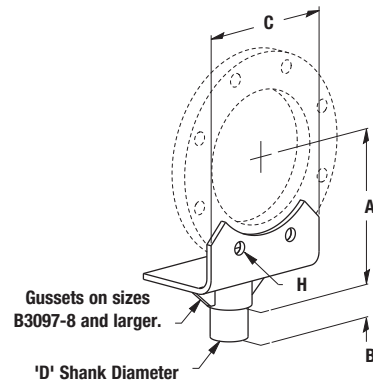
Maximum Temperature: 750°F (399°C)

Finish: Plain

Note: Available in Electro-Galvanized, and Hot Dip Galvanized finish or Stainless Steel materials.

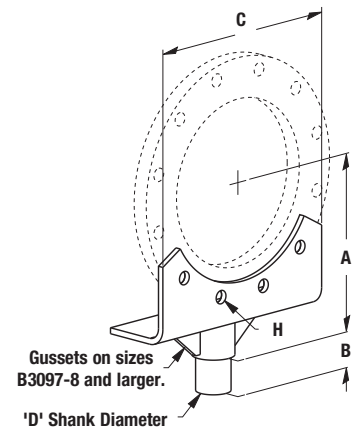
Order By: Figure number and finish

Note: — For vertical adjustment use with Figure B3089 (Pipe Adjuster - page 127) and Figure B3088T (Threaded Pipe Stand - page 124).



Shank will fit into nominal Schedule 40 pipe size 'E' of Base Stand Figure B3088 (not included).

Sizes 4" (100mm) thru 12" (300mm)



Shank will fit into nominal Schedule 40 pipe size 'E' of Base Stand Figure B3088 (not included).

Sizes 14" (350mm) thru 36" (900mm)

Part No.	Pipe Size		A		B		C		D		E		H Dia.		Approx. Wt./100	
	in.	(mm)	in.	(mm)	in.	(mm)	in.	(mm)	in.	(mm)	in.	(mm)	in.	(mm)	Lbs.	(kg)
B3094-4	4"	(100)	6 ⁷ / ₈ "	(174.5)	2"	(50.8)	6 ³ / ₈ "	(161.9)	2 ³ / ₈ "	(60.3)	2 ¹ / ₂ "	(63.5)	3/4"	(19.0)	707	(320.7)
B3094-5	5"	(125)	7 ³ / ₈ "	(187.3)	2"	(50.8)	7 ¹ / ₁₆ "	(179.4)	2 ³ / ₈ "	(60.3)	2 ¹ / ₂ "	(63.5)	7/8"	(22.2)	775	(351.5)
B3094-6	6"	(150)	7 ³ / ₈ "	(187.3)	2"	(50.8)	7 ³ / ₄ "	(196.8)	2 ³ / ₈ "	(60.3)	2 ¹ / ₂ "	(63.5)	7/8"	(22.2)	844	(382.8)
B3094-8	8"	(200)	10 ¹ / ₈ "	(257.2)	2"	(50.8)	9 ⁹ / ₁₆ "	(242.9)	2 ³ / ₈ "	(60.3)	2 ¹ / ₂ "	(63.5)	7/8"	(22.2)	1429	(648.2)
B3094-10	10"	(250)	11 ³ / ₈ "	(288.8)	2"	(50.8)	8"	(203.2)	2 ³ / ₈ "	(60.3)	2 ¹ / ₂ "	(63.5)	1"	(25.4)	1250	(567.0)
B3094-12	12"	(300)	12 ⁷ / ₈ "	(327.0)	3"	(76.2)	9 ¹ / ₂ "	(241.3)	2 ³ / ₈ "	(60.3)	2 ¹ / ₂ "	(63.5)	1"	(25.4)	1446	(655.9)
B3094-14	14"	(350)	15"	(381.0)	3"	(76.2)	18 ³ / ₁₆ "	(462.0)	2 ⁷ / ₈ "	(73.0)	3"	(76.2)	1 ¹ / ₈ "	(28.6)	3149	(1429.4)
B3094-16	16"	(400)	16 ¹ / ₄ "	(412.7)	3"	(76.2)	16 ⁵ / ₈ "	(422.3)	2 ⁷ / ₈ "	(73.0)	3"	(76.2)	1 ¹ / ₈ "	(28.6)	3068	(1391.6)
B3094-18	18"	(450)	18"	(457.2)	4"	(101.6)	17 ¹¹ / ₁₆ "	(449.3)	3 ³ / ₄ "	(95.2)	4"	(101.6)	1 ¹ / ₄ "	(31.7)	3339	(1514.6)
B3094-20	20"	(500)	19 ¹ / ₄ "	(488.9)	4"	(101.6)	15 ³ / ₄ "	(400.0)	3 ³ / ₄ "	(95.2)	4"	(101.6)	1 ¹ / ₄ "	(31.7)	2994	(1358.1)
B3094-24	24"	(600)	22 ¹ / ₂ "	(571.5)	4"	(101.6)	18 ³ / ₈ "	(466.7)	3 ³ / ₄ "	(95.2)	4"	(101.6)	1 ³ / ₈ "	(34.9)	4255	(1930.0)
B3094-30	30"	(750)	25 ⁷ / ₈ "	(657.2)	4"	(101.6)	16 ³ / ₈ "	(415.9)	3 ³ / ₄ "	(95.2)	4"	(101.6)	1 ³ / ₈ "	(34.9)	5210	(2363.2)
B3094-36	36"	(900)	29 ¹ / ₂ "	(749.3)	4"	(101.6)	17 ¹ / ₂ "	(444.5)	3 ³ / ₄ "	(95.2)	4"	(101.6)	1 ⁵ / ₈ "	(41.3)	5382	(2441.3)

All dimensions in charts and on drawings are in inches. Dimensions shown in parentheses are in millimeters unless otherwise specified.

Pipe Supports, Guides, Shields & Saddles

Fig. B3195 - I.P.S. Isolator (TOLCO Fig. 84)

Fig. B3195CT - Copper Tubing Isolator (TOLCO Fig. 83)

Size Range:

B3195 - 3/8" (10mm) thru 8" (200mm) pipe

B3195CT - 3/8" (10mm) thru 4" (100mm) pipe

Material: Pre-Galvanized steel and felt

Function: A non-conductive felt lining serves to dampen sound vibration and prevent transmission of sound to the building structure.

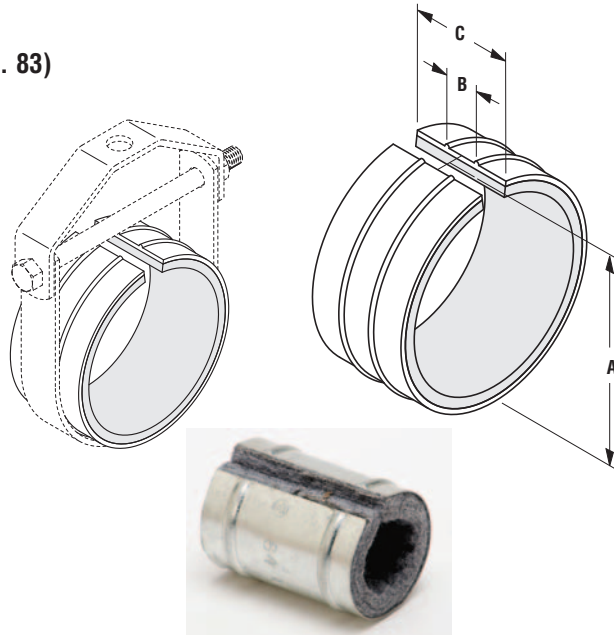
Finish: Pre-Galvanized

Standard Steel Pipe Hangers for use with Isolators:

B3100 clevis hanger, B3170 band hanger, B3690

J-hanger and B2000 Series rigid or O.D. pipe clamps

Order By: Figure number and finish



Supports, Guides, Shields & Saddles

Part No.	Pipe Size		A		B		C		Hanger Size		Strut Clamp	Approx. Wt./100	
	in.	(mm)	in.	(mm)	in.	(mm)	in.	(mm)	in.	(mm)		Lbs.	(kg)
B3195-3/8	3/8"	(10)	1 1/8"	(28.6)	1 1/4"	(31.7)	2 1/4"	(57.1)	1"	(25)	1" (25) Rigid	4	(1.8)
B3195-1/2	1/2"	(15)	1 3/8"	(34.9)	1 1/4"	(31.7)	2 1/4"	(57.1)	1"	(25)	1" (25) Rigid	4	(1.8)
B3195-3/4	3/4"	(20)	1 1/2"	(38.1)	1 1/4"	(31.7)	2 1/4"	(57.1)	1 1/4"	(32)	1 1/4" (32) O.D.	6	(2.7)
B3195-1	1"	(25)	1 13/16"	(46.0)	1 1/4"	(31.7)	2 1/4"	(57.1)	1 1/2"	(40)	1 1/2" (38) O.D.	10	(4.5)
B3195-1 1/4	1 1/4"	(32)	2 1/8"	(54.0)	1 1/4"	(31.7)	2 1/4"	(57.1)	2"	(50)	2" (51) O.D.	10	(4.5)
B3195-1 1/2	1 1/2"	(40)	2 3/8"	(60.3)	1 1/4"	(31.7)	2 1/4"	(57.1)	2"	(50)	2" (50) Rigid	12	(5.4)
B3195-2	2"	(50)	2 7/8"	(73.0)	1 1/4"	(31.7)	2 1/4"	(57.1)	2 1/2"	(65)	2 1/2" (65) Rigid	14	(6.3)
B3195-2 1/2	2 1/2"	(65)	3 3/8"	(85.7)	1 1/4"	(31.7)	3"	(76.2)	3"	(80)	3" (76) O.D.	20	(9.1)
B3195-3	3"	(80)	4"	(101.6)	1 1/4"	(31.7)	3"	(76.2)	3 1/2"	(90)	3 1/2" (90) Rigid	25	(11.3)
B3195-3 1/2	3 1/2"	(90)	4 1/2"	(114.3)	1 1/4"	(31.7)	3"	(76.2)	4"	(100)	4" (100) Rigid	36	(16.3)
B3195-4	4"	(100)	5 1/2"	(139.7)	1 1/4"	(31.7)	3 1/2"	(88.9)	5"	(125)	5" (125) Rigid	65	(29.5)
B3195-5	5"	(125)	6 1/2"	(165.1)	1 1/4"	(31.7)	4"	(101.6)	6"	(150)	6" (150) Rigid	67	(30.4)
B3195-6	6"	(150)	7 5/8"	(193.7)	2 1/8"	(54.0)	5 1/2"	(139.7)	8"	(200)	7 5/8" (193) O.D.	196	(88.9)
B3195-8	8"	(200)	9 5/8"	(244.5)	2 1/8"	(54.0)	5 1/2"	(139.7)	10"	(250)	9 5/8" (244) O.D.	210	(95.2)

Part No.	Pipe Size		A		B		C		Hanger Size		Strut Clamp	Approx. Wt./100	
	in.	(mm)	in.	(mm)	in.	(mm)	in.	(mm)	in.	(mm)		Lbs.	(kg)
B3195CT-3/8	3/8"	(10)	1"	(25.4)	1 1/4"	(31.7)	2 1/4"	(57.1)	3/4"	(20)	1 1/8" (28) O.D.	4	(1.8)
B3195CT-1/2	1/2"	(15)	1 1/8"	(28.6)	1 1/4"	(31.7)	2 1/4"	(57.1)	3/4"	(20)	1 1/8" (28) O.D.	4	(1.8)
B3195CT-3/4	3/4"	(20)	1 3/8"	(34.9)	1 1/4"	(31.7)	2 1/4"	(57.1)	1"	(25)	1" (25) Rigid	4	(1.8)
B3195CT-1	1"	(25)	1 5/8"	(41.3)	1 1/4"	(31.7)	2 1/4"	(57.1)	1 1/4"	(32)	1 1/2" (38) O.D.	6	(2.7)
B3195CT-1 1/4	1 1/4"	(32)	1 7/8"	(47.6)	1 1/4"	(31.7)	2 1/4"	(57.1)	1 1/2"	(40)	1 3/4" (44) O.D.	10	(4.5)
B3195CT-1 1/2	1 1/2"	(40)	2 1/8"	(54.0)	1 1/4"	(31.7)	2 1/4"	(57.1)	2"	(50)	2 1/8" (54) O.D.	10	(4.5)
B3195CT-2	2"	(50)	2 5/8"	(66.7)	1 1/4"	(31.7)	2 1/4"	(57.1)	2 1/2"	(65)	2 5/8" (66) O.D.	12	(5.4)
B3195CT-2 1/2	2 1/2"	(65)	3 1/8"	(79.4)	1 1/4"	(31.7)	2 1/4"	(57.1)	3"	(80)	3 1/8" (79) O.D.	13	(5.9)
B3195CT-3	3"	(80)	3 5/8"	(92.1)	1 1/4"	(31.7)	2 1/4"	(57.1)	3"	(80)	3" (80) Rigid	15	(6.8)
B3195CT-3 1/2	3 1/2"	(90)	4 1/8"	(104.8)	1 1/4"	(31.7)	2 1/4"	(57.1)	3 1/2"	(90)	3 1/2" (90) Rigid	28	(12.7)
B3195CT-4	4"	(100)	5 1/8"	(130.2)	1 1/4"	(31.7)	2 1/4"	(57.1)	5"	(125)	5" (127) O.D.	44	(19.9)

All dimensions in charts and on drawings are in inches. Dimensions shown in parentheses are in millimeters unless otherwise specified.

Pipe Supports, Guides, Shields & Saddles

Fig. B3281 thru B3287 - Pipe Alignment Guide (TOLCO Fig. 420 thru Fig. 426)

Size Range: For use with 1 1/2" (40mm) thru 24" (600mm) pipe

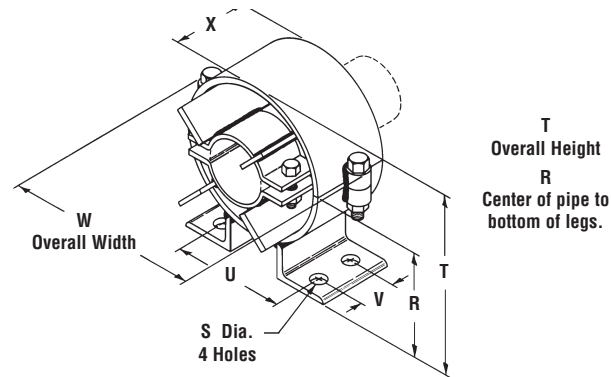
Material: Steel

Finish: Black Primer

Function: Designed for use in directing thermal expansion of insulated or non-insulated pipe in the direction permitted by expansion joints or loops. The use of two or more guides on both sides of an expansion joint or loop is recommended. Pipe lines should be supported with hangers or rollers so that when properly installed, the guides will not be supporting any pipe loads.

Maximum operating temperature should not exceed 750°F (399°C).

Order By: Figure number and finish. For use with copper tubing, add CT suffix to the part number.



Body Size	R		S		T		U		V	
	in.	(mm)	in.	(mm)	in.	(mm)	in.	(mm)	in.	(mm)
001	3 1/2"	(88.9)	5/8"	(15.9)	5 7/8"	(149.2)	4 1/8"	(104.8)	1 3/4"	(44.4)
002	4"	(101.6)	5/8"	(15.9)	6 3/4"	(171.4)	4 3/8"	(111.1)	1 3/4"	(44.4)
003	4 3/8"	(111.1)	5/8"	(15.9)	7 5/8"	(193.7)	5 1/8"	(130.2)	1 3/4"	(44.4)
004	5 1/4"	(133.3)	5/8"	(15.9)	9 1/4"	(234.9)	6 1/8"	(155.6)	1 3/4"	(44.4)
005	6 1/4"	(158.7)	5/8"	(15.9)	11 5/8"	(295.3)	7"	(177.8)	2 3/4"	(69.8)
006	7"	(177.8)	5/8"	(15.9)	13 3/8"	(339.7)	8 1/4"	(209.5)	2 3/4"	(69.8)
007	7 7/8"	(200.0)	3/4"	(19.0)	15 1/8"	(384.2)	9 7/8"	(250.8)	4"	(101.6)
008	8 7/8"	(225.4)	3/4"	(19.0)	17"	(431.8)	10 7/8"	(276.2)	4"	(101.6)
009	9 3/4"	(247.6)	3/4"	(19.0)	18 3/4"	(476.2)	11 7/8"	(301.6)	4"	(101.6)
010	10 7/8"	(276.2)	3/4"	(19.0)	21"	(533.4)	11 3/4"	(298.4)	6"	(152.4)
011	12 1/8"	(308.0)	7/8"	(22.2)	23 1/8"	(587.4)	14 1/2"	(368.3)	6"	(152.4)
012	13"	(330.2)	7/8"	(22.2)	25"	(635.0)	15 1/2"	(393.7)	6"	(152.4)
013	14 3/4"	(374.6)	1 1/8"	(28.6)	27 3/4"	(704.8)	17 1/8"	(435.0)	6"	(152.4)
014	16 1/2"	(419.1)	1 1/8"	(28.6)	31 1/2"	(800.1)	19 1/4"	(488.9)	6"	(152.4)



Body Size	W		X		Approx. Wt./100	
	in.	(mm)	in.	(mm)	Lbs.	(kg)
001	6 1/8"	(155.6)	3"	(76.2)	700	(317.5)
002	7 1/8"	(181.0)	3"	(76.2)	800	(362.9)
003	8 1/8"	(206.4)	3"	(76.2)	900	(408.2)
004	10 1/8"	(257.2)	3"	(76.2)	1100	(498.9)
005	12 1/8"	(308.0)	4"	(101.6)	1700	(771.1)
006	14 1/8"	(358.8)	4"	(101.6)	2000	(907.2)
007	16 1/8"	(409.6)	6"	(152.4)	4000	(1814.4)
008	18 1/8"	(460.4)	6"	(152.4)	4800	(2177.3)
009	20 1/8"	(511.2)	6"	(152.4)	5400	(2449.4)
010	22 1/8"	(562.0)	8"	(203.2)	6100	(2766.9)
011	24 1/8"	(612.8)	8"	(203.2)	8900	(4037.0)
012	26 1/8"	(663.6)	8"	(203.2)	10200	(4626.7)
013	28 1/8"	(714.4)	8"	(203.2)	11000	(4989.6)
014	32 1/8"	(816.0)	8"	(203.2)	15000	(6804.0)

Note: CT sizes have lead shims between the steel clamp and the copper tubing.

Guides with greater allowable movement available, Contact B-Line Engineering for more information.

All dimensions in charts and on drawings are in inches. Dimensions shown in parentheses are in millimeters unless otherwise specified.

Pipe Supports, Guides, Shields & Saddles

Fig. B3281 thru B3287 - Pipe Alignment Guide (TOLCO Fig. 420 thru Fig. 426) (Continued)

Pipe Size		Insulation Thickness											
		1" (25.4mm)			1 1/2" (38.1mm)			2" (50.8mm)			2 1/2" (63.5mm)		
		Part No.	BS*	SAM**	Part No.	BS*	SAM**	Part No.	BS*	SAM**	Part No.	BS*	SAM**
1/2"	(15)	B3281-1/2	001	4" (101.6)	B3281-1/2	001	4" (101.6)	B3283-1/2	002	4" (101.6)	B3284-1/2	003	4" (101.6)
3/4"	(20)	B3281-3/4	001	4" (101.6)	B3282-3/4	002	4" (101.6)	B3283-3/4	003	4" (101.6)	B3284-3/4	004	4" (101.6)
1"	(25)	B3281-1	001	4" (101.6)	B3282-1	002	4" (101.6)	B3283-1	003	4" (101.6)	B3284-1	004	4" (101.6)
1 1/4"	(32)	B3281-1 1/4	001	4" (101.6)	B3282-1 1/4	002	4" (101.6)	B3283-1 1/4	003	4" (101.6)	B3284-1 1/4	004	4" (101.6)
1 1/2"	(40)	B3281-1 1/2	002	4" (101.6)	B3281-1 1/2	002	4" (101.6)	B3283-1 1/2	003	4" (101.6)	B3284-1 1/2	004	4" (101.6)
2"	(50)	B3281-2	002	4" (101.6)	B3282-2	003	4" (101.6)	B3283-2	004	4" (101.6)	B3283-2	004	4" (101.6)
2 1/2"	(65)	B3281-2 1/2	003	4" (101.6)	B3281-2 1/2	003	4" (101.6)	B3283-2 1/2	004	4" (101.6)	B3283-2 1/2	004	4" (101.6)
3"	(80)	B3281-3	003	4" (101.6)	B3282-3	004	4" (101.6)	B3283-3	004	4" (101.6)	B3284-3	005	4" (101.6)
4"	(100)	B3281-4	004	4" (101.6)	B3281-4	004	4" (101.6)	B3283-4	005	4" (101.6)	B3284-4	005	4" (101.6)
5"	(125)	B3281-5	005	4" (101.6)	B3281-5	005	4" (101.6)	B3281-5	005	4" (101.6)	B3284-5	006	4" (101.6)
6"	(150)	B3281-6	005	4" (101.6)	B3281-6	005	4" (101.6)	B3283-6	006	4" (101.6)	B3283-6	006	4" (101.6)
8"	(200)	B3281-8	006	4" (101.6)	B3281-8	006	4" (101.6)	B3283-8	007	6" (152.4)	B3284-8	008	6" (152.4)
10"	(250)	B3281-10	008	6" (152.4)	B3281-10	008	6" (152.4)	B3281-10	008	6" (152.4)	B3284-10	009	6" (152.4)
12"	(300)	B3281-12	009	6" (152.4)	B3281-12	009	6" (152.4)	B3281-12	009	6" (152.4)	B3284-12	010	6" (152.4)
14"	(350)	B3281-14	010	6" (152.4)	B3281-14	010	6" (152.4)	B3281-14	010	6" (152.4)	B3281-14	010	6" (152.4)
16"	(400)	B3281-16	011	8" (203.2)	B3281-16	011	8" (203.2)	B3281-16	011	8" (203.2)	B3281-16	011	8" (203.2)
18"	(450)	B3281-18	012	8" (203.2)	B3281-18	012	8" (203.2)	B3281-18	012	8" (203.2)	B3281-18	012	8" (203.2)
20"	(500)	B3281-20	013	8" (203.2)	B3281-20	013	8" (203.2)	B3281-20	013	8" (203.2)	B3281-20	013	8" (203.2)
24"	(600)	B3281-24	014	8" (203.2)	B3281-24	014	8" (203.2)	B3281-24	014	8" (203.2)	B3281-24	014	8" (203.2)

Supports, Guides, Shields & Saddles

Nominal Pipe Size		Insulation Thickness								
		3" (76.2)			3 1/2" (88.9)			4" (101.6)		
		Part No.	BS*	SAM**	Part No.	BS*	SAM**	Part No.	BS*	SAM**
1/2"	(15)	B3285-1/2	004	4" (101.6)	B3285-1/2	004	4" (101.6)	B3287-1/2	005	4" (101.6)
3/4"	(20)	B3284-3/4	004	4" (101.6)	B3286-3/4	005	4" (101.6)	B3286-3/4	005	4" (101.6)
1"	(25)	B3284-1	004	4" (101.6)	B3286-1	005	4" (101.6)	B3286-1	005	4" (101.6)
1 1/4"	(32)	B3284-1 1/4	004	4" (101.6)	B3286-1 1/4	005	4" (101.6)	B3286-1 1/4	005	4" (101.6)
1 1/2"	(40)	B3284-1 1/2	004	4" (101.6)	B3286-1 1/2	005	4" (101.6)	B3286-1 1/2	005	4" (101.6)
2"	(50)	B3285-2	005	4" (101.6)	B3285-2	005	4" (101.6)	B3287-2	006	4" (101.6)
2 1/2"	(65)	B3285-2 1/2	005	4" (101.6)	B3285-2 1/2	005	4" (101.6)	B3287-2 1/2	006	4" (101.6)
3"	(80)	B3284-3	005	4" (101.6)	B3286-3	006	4" (101.6)	B3286-3	006	4" (101.6)
4"	(100)	B3285-4	006	4" (101.6)	B3286-4	006	4" (101.6)	B3287-4	007	6" (152.4)
5"	(125)	B3284-5	006	4" (101.6)	B3286-5	007	6" (152.4)	B3287-5	008	6" (152.4)
6"	(150)	B3285-6	007	6" (152.4)	B3286-6	008	6" (152.4)	B3286-6	008	6" (152.4)
8"	(200)	B3284-8	008	6" (152.4)	B3286-8	009	6" (152.4)	B3286-8	009	6" (152.4)
10"	(250)	B3284-10	009	6" (152.4)	B3286-10	010	6" (152.4)	B3286-10	010	6" (152.4)
12"	(300)	B3284-12	010	6" (152.4)	B3286-12	011	6" (152.4)	B3286-12	011	6" (152.4)
14"	(350)	B3285-14	011	8" (203.2)	B3285-14	011	8" (203.2)	B3287-14	012	8" (203.2)
16"	(400)	B3285-16	012	8" (203.2)	B3285-16	012	8" (203.2)	B3287-16	013	8" (203.2)
18"	(450)	B3285-18	013	8" (203.2)	B3285-18	013	8" (203.2)	B3287-18	014	8" (203.2)
20"	(500)	B3285-20	014	8" (203.2)	B3285-20	014	8" (203.2)	B3285-20	014	8" (203.2)
24"	(600)	---	---	---	---	---	---	---	---	---

BS* = Body Size

SAM** = Standard Allowable Movement

Note: Use 1" (25.4mm) insulation thickness column when no insulation is present.

Installation: Attach outer housing of the first pipe guide to the structure a maximum of four pipe diameters from an expansion joint. The second pipe guide should be located a maximum of 14 pipe diameters from the first pipe guide. The spider pipe clamp should be offset at a minimum of half the distance in the opposite direction of the axial expansion. See chart for Standard Allowable Movement (SAM).

All dimensions in charts and on drawings are in inches. Dimensions shown in parentheses are in millimeters unless otherwise specified.

Pipe Supports, Guides, Shields & Saddles

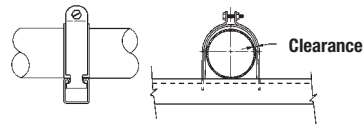
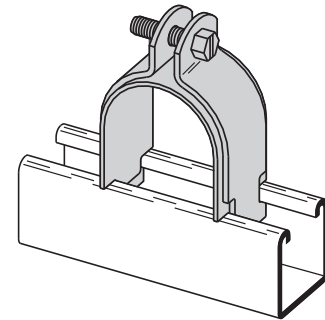
Fig. B2417 - Strut Mounted Pipe Guide

Material: Steel

Finish: Electro-Galvanized

Function: Designed as a guide to permit longitudinal movement of pipe.

Order By: Figure number and finish. (Includes guide and pipe clamp).



Part No.	Pipe Size		Min. Radial Clearance		Includes	Approx. Wt./100	
	in.	(mm)	in.	(mm)		Lbs.	(kg)
B2417-1/2	1/2"	(15)	1/16"	(1.6)	B2009	22	(10.0)
B2417-3/4	3/4"	(20)	1/16"	(1.6)	B2010	25	(11.3)
B2417-1	1"	(25)	3/32"	(2.3)	B2034	30	(13.6)
B2417-1 1/4	1 1/4"	(32)	3/32"	(2.3)	B2037	47	(21.8)
B2417-1 1/2	1 1/2"	(40)	3/32"	(2.3)	B2039	51	(23.1)
B2417-2	2"	(50)	1/8"	(3.2)	B2043	62	(28.1)
B2417-2 1/2	2 1/2"	(65)	1/8"	(3.2)	B2047	69	(31.3)
B2417-3	3"	(80)	5/32"	(3.9)	B2016	108	(49.0)
B2417-3 1/2	3 1/2"	(90)	5/32"	(3.9)	B2017	118	(53.5)
B2417-4	4"	(100)	5/32"	(3.9)	B2018	128	(58.0)

Note: Strut Mounted Pipe Guides are available for copper tubing: B2417CT-Size

Fig. B3147A & B3147B - Pipe Anchor (TOLCO Fig. 32)
(dimensional charts on following page)

Size Range: For use with 1/2" (15mm) thru 24" (600mm) pipe

Material: Steel

Function: Recommended for anchoring pipe to structure.

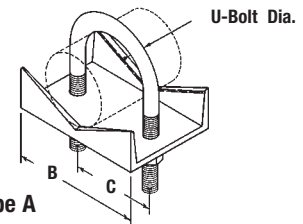
Finish: Plain

Note: 1/2" (15mm) thru 4" (100mm), use U-bolt to fasten chair to support; 5" (125mm) thru 24" (600mm) U-bolt attaches directly to support structure.

Holes are provided in chair for fastening to support if required.

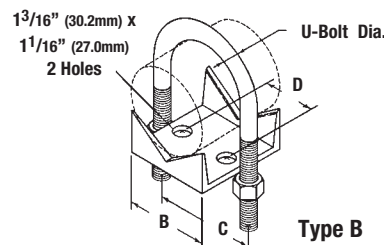
Available in Electro-Galvanized and Hot Dip Galvanized finish or Stainless Steel materials.

Order By: Figure number and pipe size



Type A

A
Center of pipe to bottom of base plate.



Type B



All dimensions in charts and on drawings are in inches. Dimensions shown in parentheses are in millimeters unless otherwise specified.

Pipe Supports, Guides, Shields & Saddles

Fig. B3147A & B3147B - Pipe Anchor (TOLCO Fig. 32) cont.



Type A



Type B

Supports, Guides,
Shields & Saddles

Part No.	Pipe Size		U-Bolt Dia.		A		B		C		D		Approx. Wt./100	
	in.	(mm)	in.	(mm)	in.	(mm)	in.	(mm)	in.	(mm)	in.	(mm)	Lbs.	(kg)
B3147A-1/2	1/2"	(15)	3/8"	(9.4)	15/16"	(23.8)	2"	(50.8)	13/16"	(30.2)	--	(--)	80	(36.3)
B3147A-3/4	3/4"	(20)	3/8"	(9.4)	11/16"	(27.0)	2 3/8"	(60.3)	1 3/8"	(34.9)	--	(--)	88	(39.9)
B3147A-1	1"	(25)	3/8"	(9.4)	1 3/16"	(30.2)	2 5/8"	(66.7)	1 3/8"	(34.9)	--	(--)	96	(43.5)
B3147A-1 1/4	1 1/4"	(32)	3/8"	(9.4)	1 3/8"	(34.9)	2 7/8"	(73.0)	2 1/16"	(52.4)	--	(--)	107	(48.5)
B3147A-1 1/2	1 1/2"	(40)	3/8"	(9.4)	1 9/16"	(39.7)	3 1/4"	(82.5)	2 3/8"	(60.3)	--	(--)	118	(53.5)
B3147A-2	2"	(50)	3/8"	(9.4)	1 3/4"	(44.4)	3 3/8"	(85.7)	2 12/16"	(71.4)	--	(--)	132	(59.9)
B3147A-2 1/2	2 1/2"	(65)	1/2"	(12.7)	2"	(50.8)	4 15/16"	(125.4)	3 7/16"	(87.3)	--	(--)	175	(79.4)
B3147A-3	3"	(80)	1/2"	(12.7)	2 3/8"	(60.3)	5 9/16"	(141.3)	4 1/16"	(103.2)	--	(--)	215	(97.5)
B3147A-3 1/2	3 1/2"	(90)	1/2"	(12.7)	2 3/8"	(60.3)	6 1/16"	(154.0)	4 9/16"	(115.9)	--	(--)	240	(108.8)
B3147A-4	4"	(100)	1/2"	(12.7)	2 7/8"	(73.0)	6 9/16"	(166.7)	5 1/16"	(128.6)	--	(--)	265	(120.2)
B3147B-5	5"	(125)	1/2"	(12.7)	3 7/16"	(87.3)	4"	(101.6)	6 1/8"	(156.2)	2 1/4"	(57.1)	290	(131.5)
B3147B-6	6"	(150)	5/8"	(15.9)	4"	(101.6)	5"	(127.0)	7 3/8"	(187.3)	3"	(76.2)	315	(142.9)
B3147B-8	8"	(200)	5/8"	(15.9)	5 1/4"	(133.3)	7"	(177.9)	9 3/8"	(138.0)	5 1/2"	(139.7)	885	(401.4)
B3147B-10	10"	(250)	3/4"	(19.0)	6 7/16"	(164.1)	8"	(203.2)	11 3/8"	(288.8)	5 1/2"	(139.7)	1050	(476.3)
B3147B-12	12"	(300)	7/8"	(22.2)	7 1/2"	(190.5)	9"	(228.6)	13 3/4"	(349.2)	6"	(152.4)	1210	(548.8)
B3147B-14	14"	(350)	7/8"	(22.2)	8 3/16"	(208.0)	10"	(254.0)	15"	(381.0)	7"	(177.9)	1480	(671.3)
B3147B-16	16"	(400)	7/8"	(22.2)	9 1/4"	(234.9)	10"	(254.0)	17"	(431.8)	7"	(177.9)	1735	(787.0)
B3147B-18	18"	(450)	1"	(25.4)	10 3/8"	(263.5)	11"	(279.4)	19 1/8"	(485.8)	7"	(177.9)	2011	(912.2)
B3147B-20	20"	(500)	1"	(25.4)	11 3/8"	(288.9)	12"	(304.8)	21 1/8"	(536.6)	7"	(177.9)	2332	(1057.8)
B3147B-24	24"	(600)	1"	(25.4)	13 5/8"	(346.1)	12"	(304.8)	25 1/8"	(638.2)	8"	(203.2)	2550	(1156.7)

Type A

Type B

All dimensions in charts and on drawings are in inches. Dimensions shown in parentheses are in millimeters unless otherwise specified.

Pipe Supports, Guides, Shields & Saddles

Fig. B3256 Hold-Down Anchor Clamp (TOLCO Fig. 405)

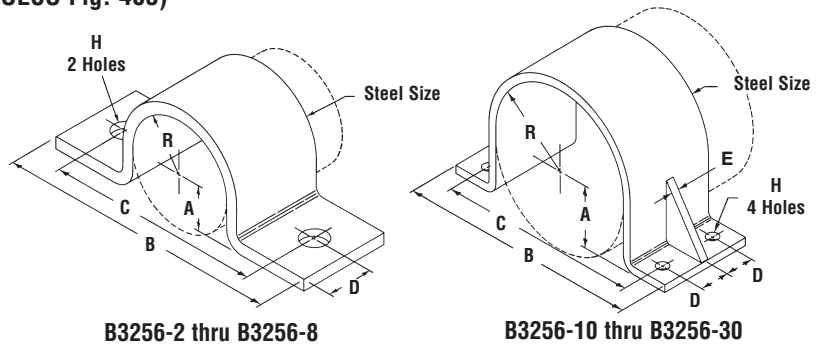
Size Range: 2" (50mm) thru 30" (750mm) pipe

Material: Steel

Function: Designed to prevent longitudinal or lateral movement of pipe where pipe is anchored to concrete piers or other supporting structures.

Finish: Plain or Electro-Galvanized

Order By: Figure number and finish.



Supports, Guides, Shields & Saddles

Part No.	Pipe Size		A		B		C		D		E	
	in.	(mm)	in.	(mm)	in.	(mm)	in.	(mm)	in.	(mm)	in.	(mm)
B3256-2	2"	(50)	15/16"	(23.8)	8 1/8"	(206.4)	5 7/8"	(149.2)	1 1/2"	(38.1)	-	-
B3256-2 1/2	2 1/2"	(65)	1 3/16"	(30.2)	8 5/8"	(219.1)	6 3/8"	(161.9)	1 1/2"	(38.1)	-	-
B3256-3	3"	(75)	1 1/2"	(38.1)	9 1/4"	(234.9)	7"	(177.8)	1 1/2"	(38.1)	-	-
B3256-3 1/2	3 1/2"	(90)	1 3/4"	(44.4)	9 3/4"	(247.6)	7 1/2"	(190.5)	1 1/2"	(38.1)	-	-
B3256-4	4"	(100)	2"	(50.8)	10 1/4"	(260.3)	8"	(203.2)	1 1/2"	(38.1)	-	-
B3256-5	5"	(125)	2 9/16"	(65.1)	11 5/16"	(287.3)	9 1/16"	(230.2)	1 1/2"	(38.1)	-	-
B3256-6	6"	(150)	3 1/16"	(77.8)	13 9/16"	(346.1)	10 5/8"	(269.9)	3"	(76.2)	-	-
B3256-8	8"	(200)	4 1/16"	(103.2)	15 3/4"	(396.9)	12 5/8"	(320.7)	3"	(76.2)	-	-
B3256-10	10"	(250)	5 1/8"	(130.2)	18 3/4"	(476.2)	15 1/4"	(387.3)	2 1/2"	(63.5)	1/2"	(12.7)
B3256-12	12"	(300)	6 1/8"	(155.6)	20 3/4"	(527.0)	17 1/4"	(438.1)	2 1/2"	(63.5)	1/2"	(12.7)
B3256-14	14"	(350)	6 3/4"	(171.4)	22"	(558.8)	18 1/2"	(469.9)	3"	(76.2)	1/2"	(12.7)
B3256-16	16"	(400)	7 3/4"	(196.8)	24"	(609.6)	20 1/2"	(520.7)	3"	(76.2)	1/2"	(12.7)
B3256-18	18"	(450)	8 3/4"	(222.2)	26"	(660.4)	22 1/2"	(571.2)	3 1/2"	(88.9)	1/2"	(12.7)
B3256-20	20"	(500)	9 3/4"	(247.6)	28"	(711.2)	24 1/2"	(622.3)	3 1/2"	(88.9)	1/2"	(12.7)
B3256-24	24"	(600)	11 3/4"	(298.4)	32"	(812.8)	28 1/2"	(723.9)	3 1/2"	(88.9)	1/2"	(12.7)
B3256-30	30"	(750)	14 3/4"	(374.6)	38"	(965.2)	34 1/2"	(876.3)	3 1/2"	(88.9)	1/2"	(12.7)

Part No.	H		R		Steel Size		Approx. Wt./100	
	in.	(mm)	in.	(mm)	in.	(mm)	Lbs.	(kg)
B3256-2	7/8"	(22.2)	1 3/16"	(30.2)	3/8" x 3"	(9.5 x 76.2)	342	(155.1)
B3256-2 1/2	7/8"	(22.2)	1 7/16"	(36.5)	3/8" x 3"	(9.5 x 76.2)	386	(175.1)
B3256-3	7/8"	(22.2)	1 3/4"	(44.4)	3/8" x 3"	(9.5 x 76.2)	434	(196.8)
B3256-3 1/2	7/8"	(22.2)	2"	(50.8)	3/8" x 3"	(9.5 x 76.2)	478	(216.8)
B3256-4	7/8"	(22.2)	2 1/4"	(57.1)	3/8" x 3"	(9.5 x 76.2)	518	(234.9)
B3256-5	7/8"	(22.2)	2 13/16"	(71.4)	3/8" x 3"	(9.5 x 76.2)	610	(276.7)
B3256-6	1"	(25.4)	3 5/16"	(84.1)	1/2" x 6"	(12.7 x 152.4)	1961	(889.5)
B3256-8	1"	(25.4)	4 5/16"	(109.5)	1/2" x 6"	(12.7 x 152.4)	2397	(1087.3)
B3256-10	1 1/8"	(28.6)	5 3/8"	(136.5)	1/2" x 8"	(12.7 x 203.2)	4155	(1884.7)
B3256-12	1 1/8"	(28.6)	6 3/8"	(161.9)	1/2" x 8"	(12.7 x 203.2)	4789	(2172.3)
B3256-14	1 1/8"	(28.6)	7"	(177.8)	1/2" x 10"	(12.7 x 254.0)	6421	(2912.5)
B3256-16	1 1/8"	(28.6)	8"	(203.2)	1/2" x 10"	(12.7 x 254.0)	7210	(3270.4)
B3256-18	1 1/8"	(28.6)	9"	(228.6)	1/2" x 12"	(12.7 x 304.8)	9509	(4313.3)
B3256-20	1 1/8"	(28.6)	10"	(254.0)	1/2" x 12"	(12.7 x 304.8)	10434	(4732.8)
B3256-24	1 1/8"	(28.6)	12"	(304.8)	1/2" x 12"	(12.7 x 304.8)	12295	(5577.0)
B3256-30	1 1/8"	(28.6)	15"	(381.0)	1/2" x 12"	(12.7 x 304.8)	15082	(6841.2)



All dimensions in charts and on drawings are in inches. Dimensions shown in parentheses are in millimeters unless otherwise specified.

Pipe Supports, Guides, Shields & Saddles

Fig. B3257 - Base Plate (TOLCO Fig. 406)

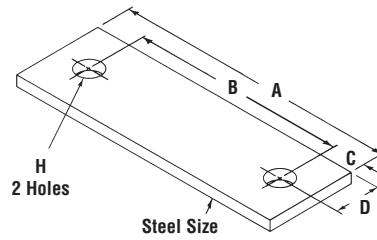
Size Range: 2" (50mm) thru 30" (750mm) pipe

Material: Steel

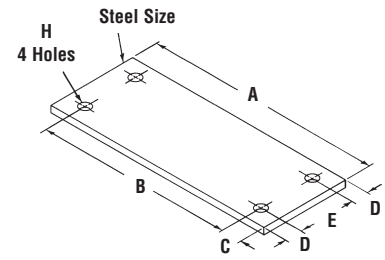
Function: Designed as a base plate for B3256 pipe anchor.

Finish: Plain or Electro-Galvanized

Order By: Figure part number and finish.



B3257-2 thru B3257-8



B3257-10 thru B3257-30

Supports, Guides, Shields & Saddles



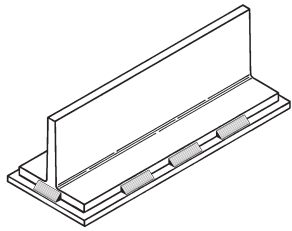
Part No.	Pipe Size		A		B		C		D	
	in.	(mm)	in.	(mm)	in.	(mm)	in.	(mm)	in.	(mm)
B3257-2	2"	(50)	8 ¹ / ₈ "	(206.4)	5 ⁷ / ₈ "	(149.2)	1 ¹ / ₈ "	(28.6)	1 ¹ / ₂ "	(38.1)
B3257-2 ¹ / ₂	2 ¹ / ₂ "	(65)	8 ⁵ / ₈ "	(219.1)	6 ³ / ₈ "	(161.9)	1 ¹ / ₈ "	(28.6)	1 ¹ / ₂ "	(38.1)
B3257-3	3"	(80)	9 ¹ / ₄ "	(234.9)	7"	(177.8)	1 ¹ / ₈ "	(28.6)	1 ¹ / ₂ "	(38.1)
B3257-3 ¹ / ₂	3 ¹ / ₂ "	(90)	9 ³ / ₄ "	(247.6)	7 ¹ / ₂ "	(190.5)	1 ¹ / ₈ "	(28.6)	1 ¹ / ₂ "	(38.1)
B3257-4	4"	(100)	10 ¹ / ₄ "	(260.3)	8"	(203.2)	1 ¹ / ₈ "	(28.6)	1 ¹ / ₂ "	(38.1)
B3257-5	5"	(125)	11 ⁵ / ₁₆ "	(287.3)	9 ¹ / ₁₆ "	(230.2)	1 ¹ / ₈ "	(28.6)	1 ¹ / ₂ "	(38.1)
B3257-6	6"	(150)	13 ⁵ / ₈ "	(346.1)	10 ⁵ / ₈ "	(269.9)	1 ¹ / ₂ "	(38.1)	3"	(76.2)
B3257-8										
	30"	(750)	38"	(965.2)	34 ¹ / ₂ "	(876.3)	1 ³ / ₄ "	(44.4)	2 ¹ / ₂ "	(64.0)

Part No.	E		H		Steel Size		Approx. Wt./100	
	in.	(mm)	in.	(mm)	in.	(mm)	Lbs.	(kg)
B3257-2	-	-	7/8"	(22.2)	3/8" x 3"	(9.5 x 76.2)	246	(111.6)
B3257-2 ¹ / ₂	-	-	7/8"	(22.2)	3/8" x 3"	(9.5 x 76.2)	262	(118.8)
B3257-3	-	-	7/8"	(22.2)	3/8" x 3"	(9.5 x 76.2)	282	(127.9)
B3257-3 ¹ / ₂	-	-	7/8"	(22.2)	3/8" x 3"	(9.5 x 76.2)	298	(135.2)
B3257-4	-	-	7/8"	(22.2)	3/8" x 3"	(9.5 x 76.2)	314	(142.4)
B3257-5	-	-	7/8"	(22.2)	3/8" x 3"	(9.5 x 76.2)	348	(157.8)
B3257-6	-	-	1"	(25.4)	1/2" x 6"	(12.7 x 152.4)	1137	(515.7)
B3257-8	-	-	1"	(25.4)	1/2" x 6"	(12.7 x 152.4)	1307	(592.8)
B3257-10	5"	(127.0)	1 ¹ / ₈ "	(28.6)	1/2" x 8"	(12.7 x 203.2)	2071	(939.4)
B3257-12	5"	(127.0)	1 ¹ / ₈ "	(28.6)	1/2" x 8"	(12.7 x 203.2)	2298	(1042.4)
B3257-14	6"	(152.4)	1 ¹ / ₈ "	(28.6)	1/2" x 8"	(12.7 x 254.0)	3064	(1389.8)
B3257-16	6"	(152.4)	1 ¹ / ₈ "	(28.6)	1/2" x 8"	(12.7 x 254.0)	3347	(1518.2)
B3257-18	7"	(177.8)	1 ¹ / ₈ "	(28.6)	1/2" x 12"	(12.7 x 304.8)	4368	(1981.3)
B3257-20	7"	(177.8)	1 ¹ / ₈ "	(28.6)	1/2" x 12"	(12.7 x 304.8)	4709	(2136.0)
B3257-24	7"	(177.8)	1 ¹ / ₈ "	(28.6)	1/2" x 12"	(12.7 x 304.8)	5389	(2444.4)
B3257-30	7"	(177.8)	1 ¹ / ₈ "	(28.6)	1/2" x 12"	(12.7 x 304.8)	6410	(2907.6)

All dimensions in charts and on drawings are in inches. Dimensions shown in parentheses are in millimeters unless otherwise specified.

Pipe Supports, Guides, Shields & Saddles

Fig. B3891 - B3897 Pipe Slide Assembly Series (TOLCO Fig. 424 thru Fig. 431)



Supports, Guides, Shields & Saddles

Material: Tee - Steel;
Facing Plate - Stainless Steel Type 304;
Base - Steel with $\frac{3}{32}$ " (2.4mm) thick Teflon[®]† slide pads.

Finish: Black paint.

Service: Designed to support pipe where horizontal movement from expansion and contraction is present. Fits up to 3" (76.2mm) insulation thickness.

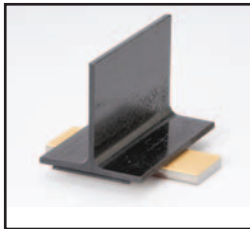
Approvals: Conforms to Federal Specification WW-H-171E & A-A-1192A and Manufacturers Standardization Society ANSI/MSS SP-69 & SP-58, Type 35.

Operating Temperature Rating:
400°F (204°C) maximum

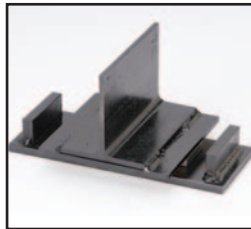
Loading: Capable of supporting constant loads up to 2000 Psi at 70°F (21°C).

† Mark shown in this document is the property of its respective owner.

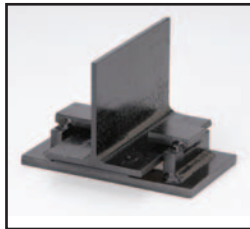
B3891 - 10 - CL		
Base Style	Travel	Options
1	04" (101) (except B3897)	Standard Slide = Blank
2	10" (254) (except B3897)	W/ End Plates = EP - Pipe Size
3	2 1/2" (63) (B3897 only)	W/ B3140 Clamps = CL - Pipe Size
4		
5		
6		
7		



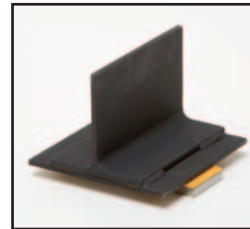
B3891



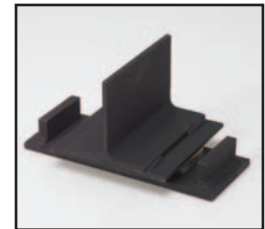
B3892



B3893



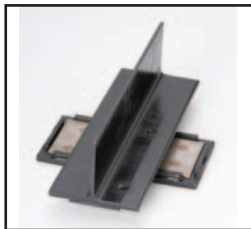
B3894



B3895



B3896



B3897

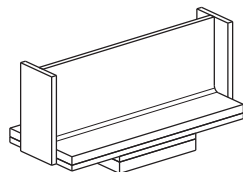
Notes:

B3891, B3892 and B3893 are designed for longitudinal movement only.

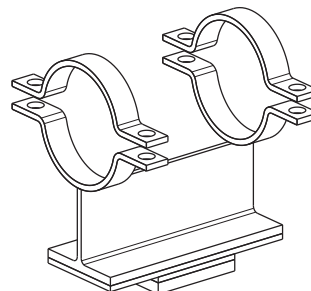
B3894, B3895 and B3896 are designed for longitudinal and limited transverse movement.

B3897 is designed for up to 5 inches (127mm) of horizontal movement in any direction, depending on the installed position.

Options:



End Plates



B3140 Clamps

All dimensions in charts and on drawings are in inches. Dimensions shown in parentheses are in millimeters unless otherwise specified.

Pipe Supports, Guides, Shields & Saddles

Fig. B3891 - B3897 - Pipe Slide Assembly Series (TOLCO Fig. 424 thru Fig. 431)

Supports, Guides, Shields & Saddles

Pipe Size	Travel		Part No.	Height H		Length L		Depth B		Diameter D	
	In.	(mm)		In.	(mm)	In.	(mm)	In.	(mm)	In.	(mm)
1" to 24" (25 to 600)	2 1/2"	(63.5)	B3897	5 5/16"	(134.9)	9 1/2"	(241.3)	5"	(127.0)	4"	(101.6)
	4"	(127.0)	B3891	4 5/8"	(117.5)	6"	(152.4)	2"	(50.8)	N/A	N/A
			B3892	5 1/8"	(130.2)	6"	(152.4)	4"	(101.6)	N/A	N/A
			B3893	5 1/8"	(130.2)	6"	(152.4)	4"	(101.6)	N/A	N/A
			B3894	4 5/8"	(117.5)	6"	(152.4)	2"	(50.8)	N/A	N/A
			B3895	5 1/8"	(130.2)	6"	(152.4)	4"	(101.6)	N/A	N/A
			B3896	5 1/8"	(130.2)	6"	(152.4)	4"	(101.6)	N/A	N/A
	10"	(254.0)	B3891	4 5/8"	(117.5)	12"	(304.8)	2"	(50.8)	N/A	N/A
			B3892	5 1/8"	(130.2)	12"	(304.8)	4"	(101.6)	N/A	N/A
			B3893	5 1/8"	(130.2)	12"	(304.8)	4"	(101.6)	N/A	N/A
			B3894	4 5/8"	(117.5)	12"	(304.8)	2"	(50.8)	N/A	N/A
			B3895	5 1/8"	(130.2)	12"	(304.8)	4"	(101.6)	N/A	N/A
			B3896	5 1/8"	(130.2)	12"	(304.8)	4"	(101.6)	N/A	N/A

Pipe Size	Travel		Part No.	Width P		Width W		Max Recommended Load	
	In.	mm		In.	mm	In.	mm	Lbs.	kN
1" to 24" (25 to 600)	2 1/2"	(63.5)	B3897	N/A	N/A	9 1/2"	(241.3)	16000	(71.2)
	4"	(127.0)	B3891	4"	(101.6)	N/A	N/A	12000	(53.4)
			B3892	4"	(101.6)	7"	(177.8)	12000	(53.4)
			B3893	4"	(101.6)	7"	(177.8)	12000	(53.4)
			B3894	N/A	N/A	6"	(152.4)	12000	(53.4)
			B3895	6"	(152.4)	10"	(254.0)	24000	(106.8)
			B3896	6"	(152.4)	10"	(254.0)	24000	(106.8)
	10"	(254.0)	B3891	4"	(101.6)	N/A	N/A	12000	(53.4)
			B3892	4"	(101.6)	7"	(177.8)	12000	(53.4)
			B3893	4"	(101.6)	7"	(177.8)	12000	(53.4)
			B3894	N/A	N/A	6"	(152.4)	12000	(53.4)
			B3895	6"	(152.4)	10"	(254.0)	24000	(106.8)
			B3896	6"	(152.4)	10"	(254.0)	24000	(106.8)

*Based on Teflon[®] † of 500 psi.

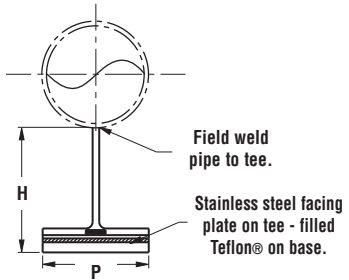
† Mark shown in this document is the property of its respective owner.

All dimensions in charts and on drawings are in inches. Dimensions shown in parentheses are in millimeters unless otherwise specified.

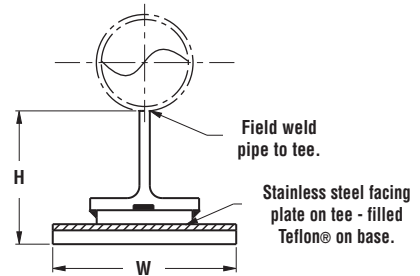
Pipe Supports, Guides, Shields & Saddles

Fig. B3891 - B3897 - Pipe Slide Assembly Series (TOLCO Fig. 424 thru Fig. 431)

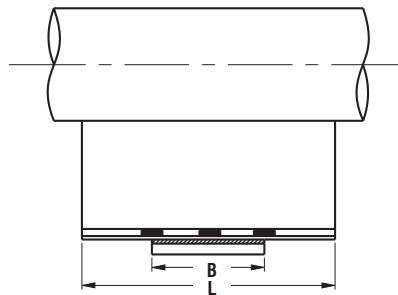
Supports, Guides, Shields & Saddles



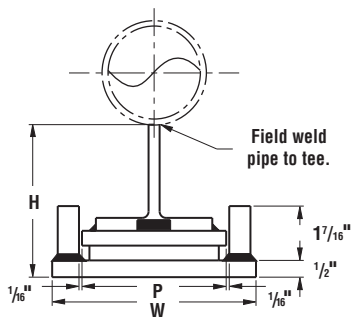
B3891 Front View



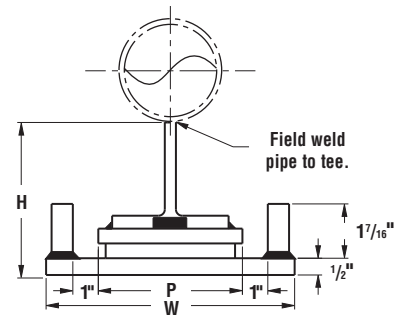
B3894 Front View



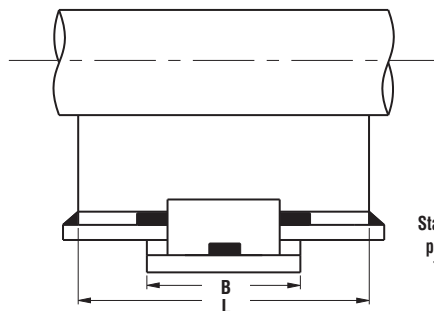
B3891 & B3894 Side View



B3892 Front View



B3895 Front View



B3892 & B3895 Side View

Stainless steel facing plate on tee - filled Teflon® on base.

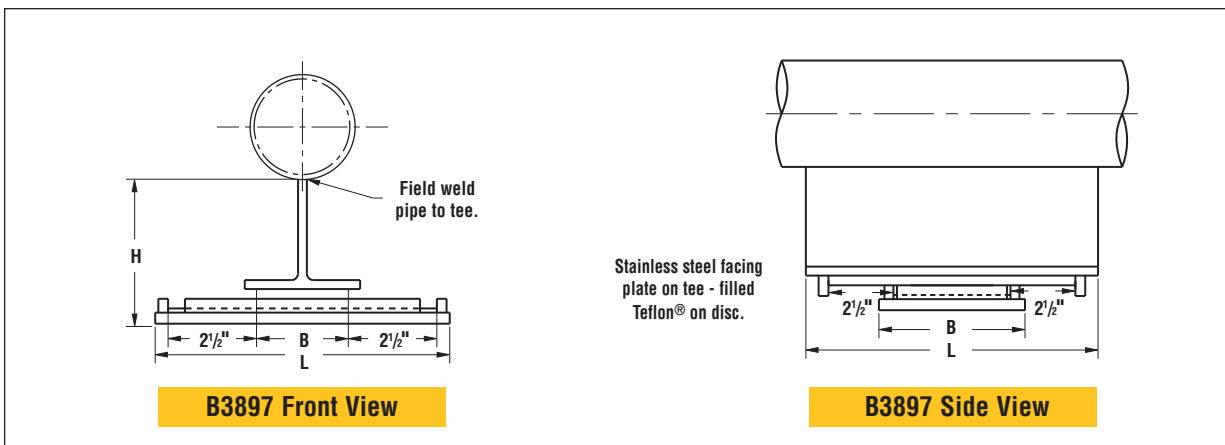
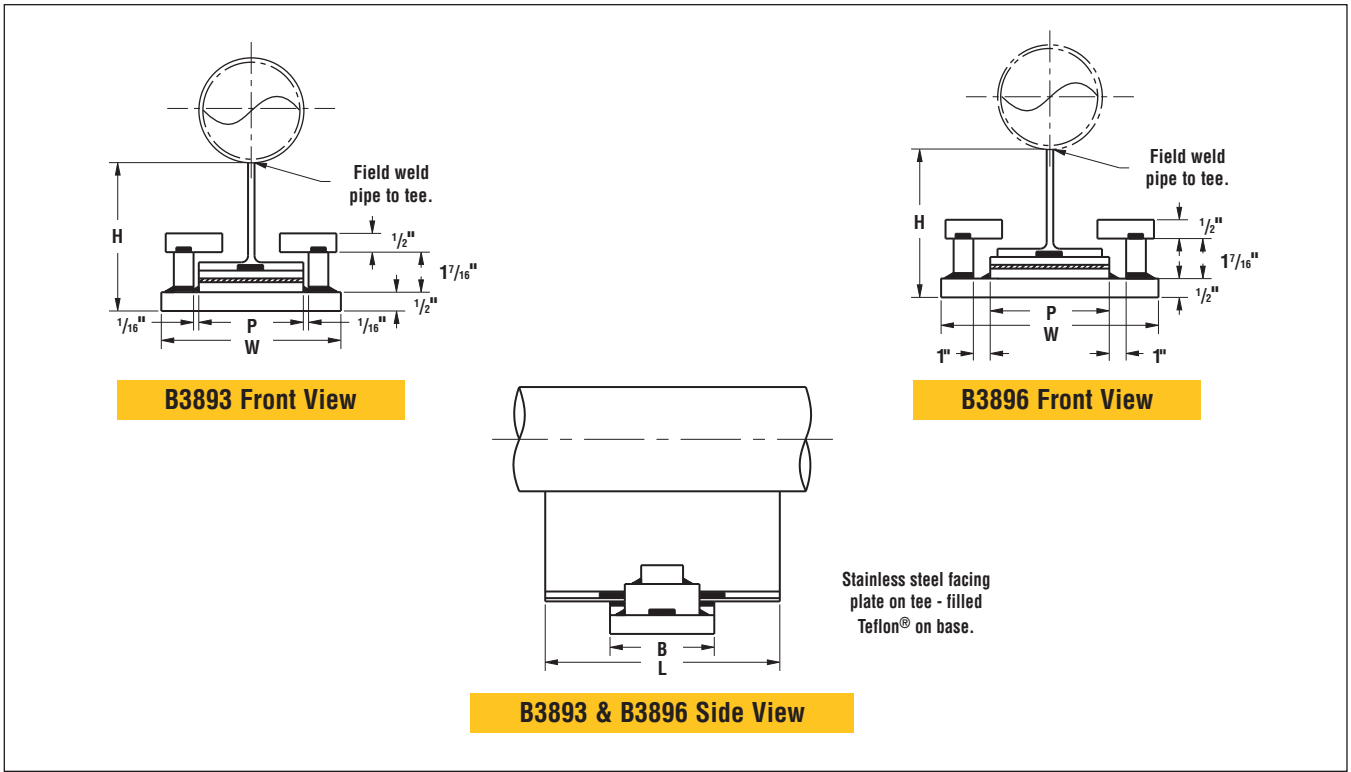
† Mark shown in this document is the property of its respective owner.

All dimensions in charts and on drawings are in inches. Dimensions shown in parentheses are in millimeters unless otherwise specified.

Pipe Supports, Guides, Shields & Saddles

Fig. B3891 - B3897 - Pipe Slide Assembly Series (TOLCO Fig. 424 thru Fig. 431)

Supports, Guides, Shields & Saddles



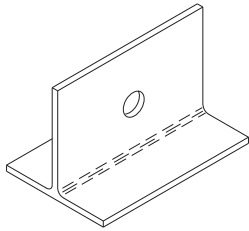
† Mark shown in this document is the property of its respective owner.

All dimensions in charts and on drawings are in inches. Dimensions shown in parentheses are in millimeters unless otherwise specified.

Pipe Supports, Guides, Shields & Saddles

Supports, Guides, Shields & Saddles

Fig. B3991 - B3993B
Pipe Slide Assembly Series
 (TOLCO Fig. 424 thru Fig. 431)



Material: Tee & H Slides - Steel with Heat Cured PTFE modified coating at slide plate.

Base - Steel with 3/32" (2.4mm) thick Teflon®† slide pads.

Finish: Black paint.

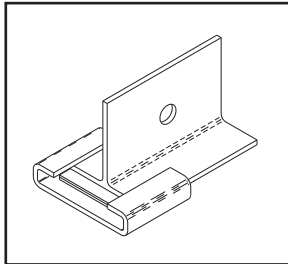
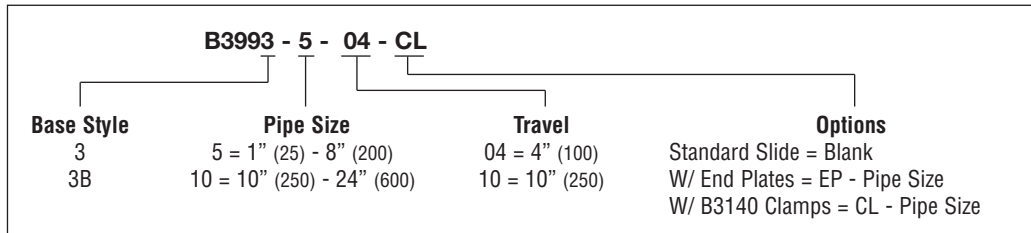
Service: Designed to support pipe where horizontal movement from expansion and contraction is present.

Approvals: Conforms to Federal Specification WW-H-171E & A-A-1192A and Manufacturers Standardization Society ANSI/MSS SP-69 & SP-58, Type 35.

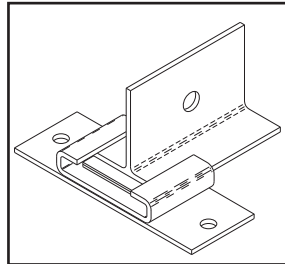
Operating Temperature Rating:
 400°F (204°C) maximum at base

Loading: Capable of supporting constant loads up to 2000 Psi at 70°F (21°C)

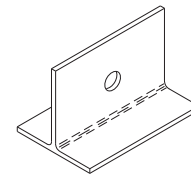
† Mark shown in this document is the property of its respective owner.



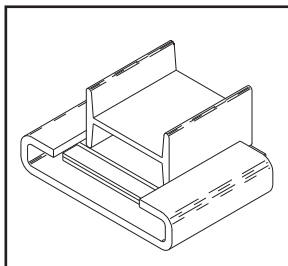
B3993-5



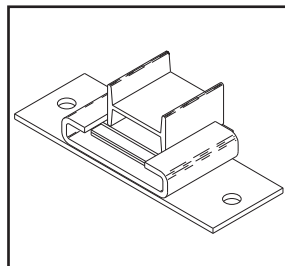
B3993B-5



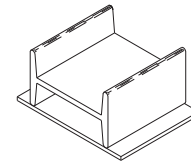
T-Slide
B3991-5



B3993-10

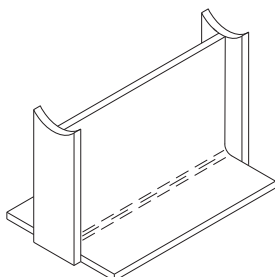


B3993B-10

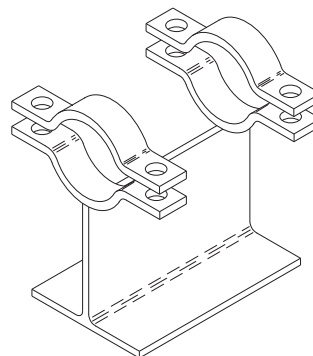


H-Slide
B3991-10

Options:



EP (standard slide with end plates)



CL (standard slide with B3140 clamps)

All dimensions in charts and on drawings are in inches. Dimensions shown in parentheses are in millimeters unless otherwise specified.

Pipe Supports, Guides, Shields & Saddles

Fig. B3991 - B3993B - Pipe Slide Assembly Series (TOLCO Fig. 424 thru Fig. 431)

Supports, Guides,
Shields & Saddles

Pipe Size	Travel		Part No.	Height H		Length L		Depth B		Width C	
	In.	(mm)		In.	(mm)	In.	(mm)	In.	(mm)	In.	(mm)
1" to 24" (25 to 600)	4"	(101.6)	B3991-5	4 ⁷ / ₁₆ "	(112.7)	6"	(152.4)	3"	(76.2)	8 ¹ / ₂ "	(215.9)
			B3993-5	4 ⁷ / ₁₆ "	(112.7)	6"	(152.4)	3"	(76.2)	N/A	N/A
			B3993B-5	4 ¹¹ / ₁₆ "	(119.1)	6"	(152.4)	3"	(76.2)	8 ¹ / ₂ "	(215.9)
			B3991-10	4 ⁷ / ₈ "	(123.8)	6"	(152.4)	4"	(101.6)	14 ¹ / ₂ "	(368.3)
			B3993-10	4 ⁷ / ₈ "	(123.8)	6"	(152.4)	4"	(101.6)	N/A	N/A
			B3993B-10	5 ¹ / ₈ "	(130.2)	6"	(152.4)	4"	(101.6)	14 ¹ / ₂ "	(368.3)
	10"	(254.0)	B3991-5	4 ⁷ / ₁₆ "	(112.7)	12"	(304.8)	3"	(76.2)	8 ¹ / ₂ "	(215.9)
			B3993-5	4 ⁷ / ₁₆ "	(112.7)	12"	(304.8)	3"	(76.2)	N/A	N/A
			B3993B-5	4 ¹¹ / ₁₆ "	(119.1)	12"	(304.8)	3"	(76.2)	8 ¹ / ₂ "	(215.9)
			B3991-10	4 ⁷ / ₈ "	(123.8)	12"	(304.8)	4"	(101.6)	14 ¹ / ₂ "	(368.3)
			B3993-10	4 ⁷ / ₈ "	(123.8)	12"	(304.8)	4"	(101.6)	N/A	N/A
			B3993B-10	5 ¹ / ₈ "	(130.2)	12"	(304.8)	4"	(101.6)	14 ¹ / ₂ "	(368.3)

Pipe Size	Travel		Part No.	Width P		Width W		Max Recommended Load	
	In.	(mm)		In.	(mm)	In.	(mm)	Lbs.	(kN)
1" to 24" (25 to 600)	4"	(101.6)	B3991-5	6"	(152.4)	N/A	N/A	16000	(71.2)
			B3993-5	2"	(50.8)	4 ¹ / ₂ "	(114.3)	12000	(53.4)
			B3993B-5	2"	(50.8)	4 ¹ / ₂ "	(114.3)	12000	(53.4)
			B3991-10	12"	(304.8)	N/A	N/A	32000	(142.3)
			B3993-10	6"	(152.4)	8 ¹¹ / ₁₆ "	(220.7)	24000	(106.8)
			B3993B-10	6"	(152.4)	8 ¹¹ / ₁₆ "	(220.7)	24000	(106.8)
	10"	(254.0)	B3991-5	6"	(152.4)	N/A	N/A	16000	(71.2)
			B3993-5	2"	(50.8)	4 ¹ / ₂ "	(114.3)	12000	(53.4)
			B3993B-5	2"	(50.8)	4 ¹ / ₂ "	(114.3)	12000	(53.4)
			B3991-10	12"	(304.8)	N/A	N/A	32000	(142.3)
			B3993-10	6"	(152.4)	8 ¹¹ / ₁₆ "	(220.7)	24000	(106.8)
			B3993B-10	6"	(152.4)	8 ¹¹ / ₁₆ "	(220.7)	24000	(106.8)

*Based on Teflon® † of 2000 psi.

† Mark shown in this document is the property of its respective owner.

All dimensions in charts and on drawings are in inches. Dimensions shown in parentheses are in millimeters unless otherwise specified.

Pipe Supports, Guides, Shields & Saddles

Supports, Guides, Shields & Saddles

Fig. B3991 - Pipe Slide Assembly Series dimensional drawings (TOLCO Fig. 424 thru Fig. 431)

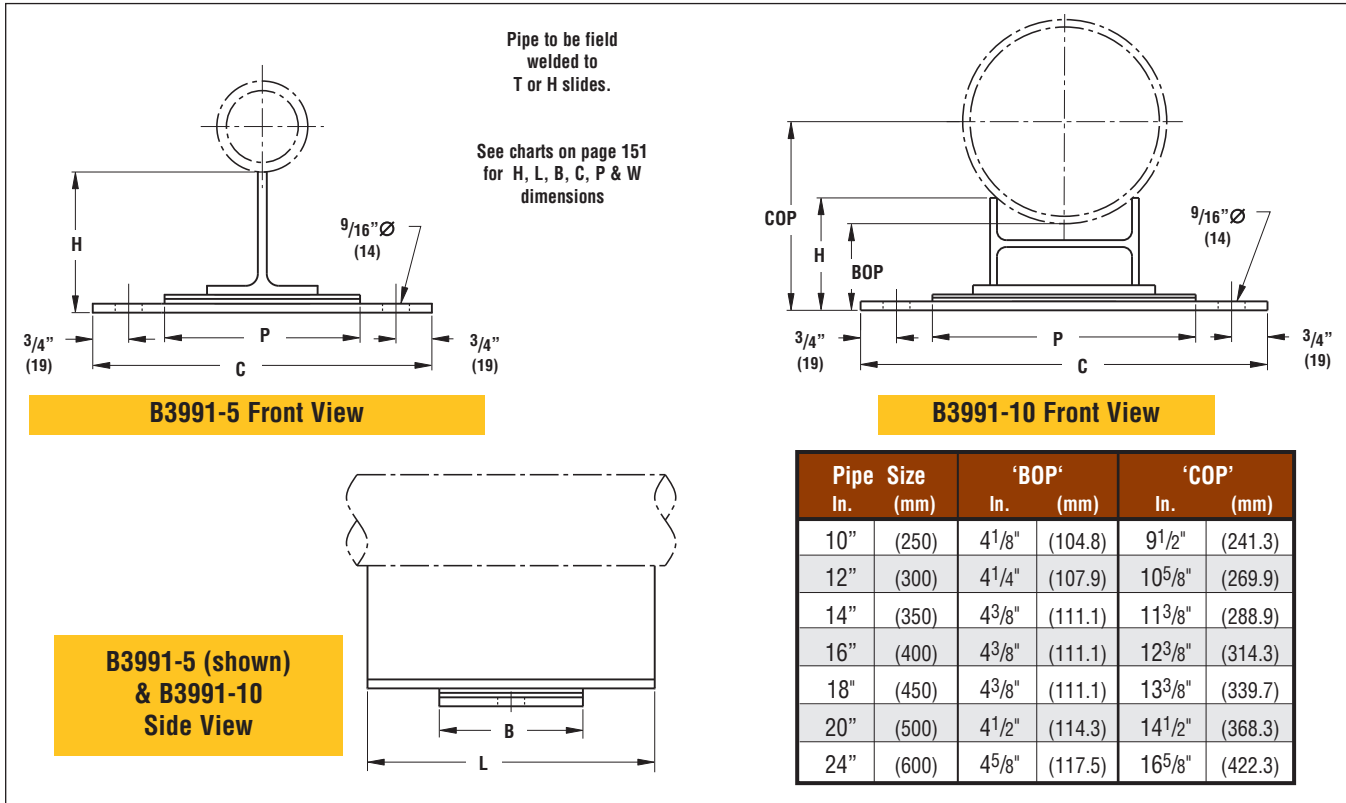
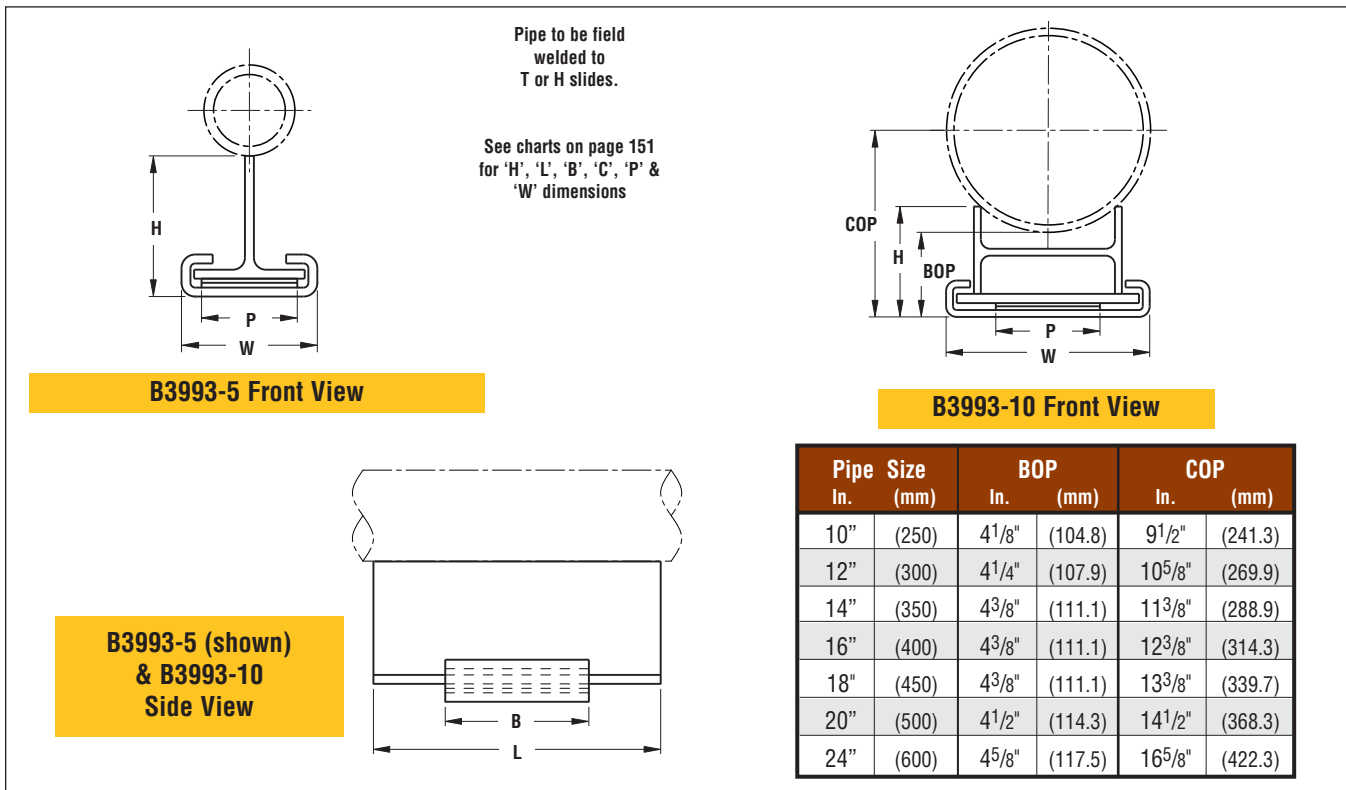


Fig. B3993 Pipe Slide Assembly Series dimensional drawings (TOLCO Fig. 424 thru Fig. 431)

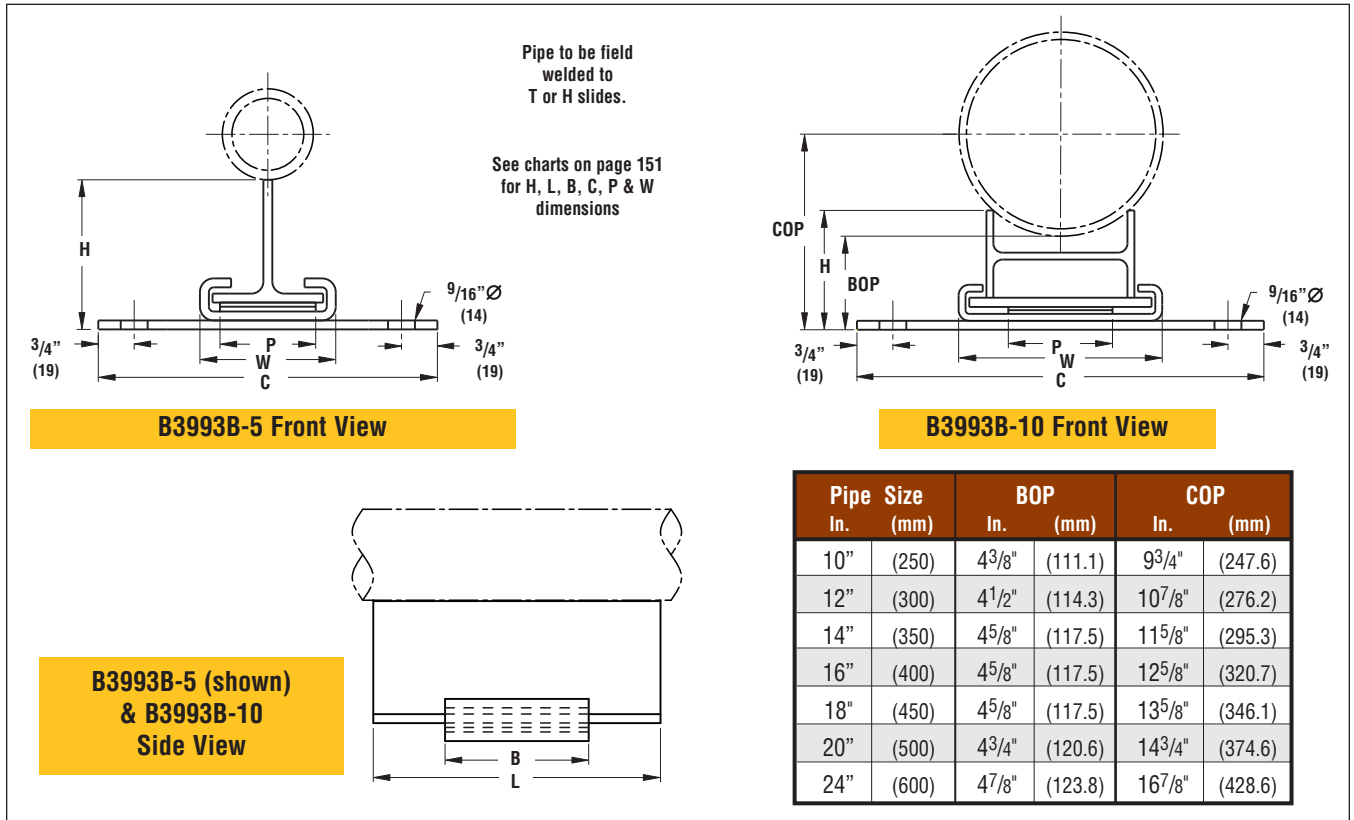


† Mark shown in this document is the property of its respective owner.

All dimensions in charts and on drawings are in inches. Dimensions shown in parentheses are in millimeters unless otherwise specified.

Pipe Supports, Guides, Shields & Saddles

Fig. B3993B Pipe Slide Assembly Series dimensional drawings (TOLCO Fig. 424 thru Fig. 431)



Supports, Guides, Shields & Saddles

† Mark shown in this document is the property of its respective owner.

All dimensions in charts and on drawings are in inches. Dimensions shown in parentheses are in millimeters unless otherwise specified.

Pipe Supports, Guides, Shields & Saddles

Fig. B3160 thru B3165 - Pipe Covering Protection Saddle (TOLCO Fig. 260 thru Fig. 265)

Material: Steel; Stainless Steel available

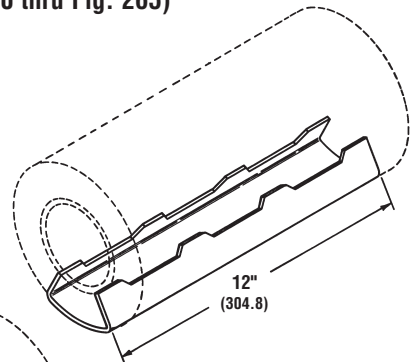
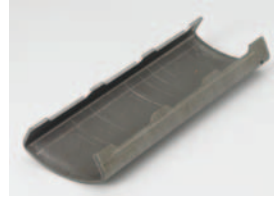
Standard Finish: Plain or Electro-Galvanized

Service: Designed to protect pipe insulation on high temperature pipe lines. Saddles are 12" (304.8mm) long. Center rib is furnished on all saddle sizes 12" (300mm) and above.

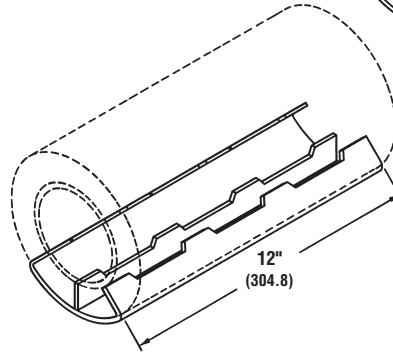
Order By: Figure number and finish. Select part number by insulation thickness and add nominal pipe size (Ex: B3161-1¹/₄ PLN).

Approvals: Complies with Federal Specification WW-H-171E & A-A-1192A Type 40A and Type 40B and Manufacturers Standardization Society ANSI/MSS SP-69 & SP-58 Type 39A and Type 39B.

Supports, Guides, Shields & Saddles



Sizes 3/4" (20mm) thru 10" (250mm)



Sizes 12" (300mm) and larger



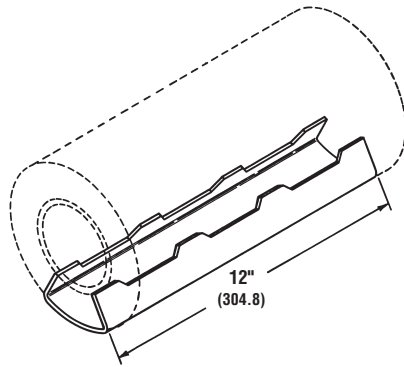
Insulation Thickness	Part Number
1" (25.4mm)	B3160
1 ¹ / ₂ " (38.1mm)	B3161
2" (50.8mm)	B3162
2 ¹ / ₂ " (63.5mm)	B3163
3" (76.2mm)	B3164
4" (101.6mm)	B3165

Part No.	Pipe Size in. (mm)		Size For Roller Part Number			Design Load		Approx. Wt./100	
			B3114 B3120 B3122 B3122A	B3117SL B3118SL B3119SL B3124 B3126	B3110	Lbs.	(kN)	Lbs.	(kg)
B3160-3/4	3/4"	(20)	2	2-3 ¹ / ₂	2 ¹ / ₂	1200	(5.34)	122	(55.3)
B3161-3/4			3	2-3 ¹ / ₂	3 ¹ / ₂	1200	(5.34)	228	(103.4)
B3162-3/4			4	2-3 ¹ / ₂	5	1200	(5.34)	297	(134.7)
B3160-1	1"	(25)	2 ¹ / ₂	2-3 ¹ / ₂	3	1200	(5.34)	156	(70.7)
B3161-1			3	2-3 ¹ / ₂	4	1200	(5.34)	228	(103.4)
B3162-1			4	2-3 ¹ / ₂	5	1200	(5.34)	297	(134.7)
B3160-1¹/₄	1 ¹ / ₄ "	(32)	2 ¹ / ₂	2-3 ¹ / ₂	3	1200	(5.34)	156	(70.7)
B3161-1¹/₄			3 ¹ / ₂	2-3 ¹ / ₂	5	1200	(5.34)	228	(103.4)
B3162-1¹/₄			4	2-3 ¹ / ₂	5	1200	(5.34)	297	(134.7)
B3163-1¹/₄			5	4-6	6	1200	(5.34)	342	(155.1)
B3160-1¹/₂	1 ¹ / ₂ "	(40)	3	2-3 ¹ / ₂	3 ¹ / ₂	1200	(5.34)	172	(78.0)
B3161-1¹/₂			3 ¹ / ₂	2-3 ¹ / ₂	5	1200	(5.34)	239	(108.4)
B3162-1¹/₂			5	4-6	6	1800	(8.00)	311	(141.0)
B3163-1¹/₂			6	4-6	8	1800	(8.00)	417	(189.1)
B3160-2	2"	(50)	3 ¹ / ₂	2-3 ¹ / ₂	4	1200	(5.34)	172	(78.0)
B3161-2			4	2-3 ¹ / ₂	5	1200	(5.34)	239	(108.4)
B3162-2			5	4-6	6	1800	(8.00)	311	(141.0)
B3163-2			6	4-6	8	1800	(8.00)	417	(189.1)
B3164-2			8	4-6	8	1800	(8.00)	441	(200.0)
B3160-2¹/₂	2 ¹ / ₂ "	(65)	3 ¹ / ₂	2-3 ¹ / ₂	5	1200	(5.34)	210	(95.2)
B3161-2¹/₂			5	4-6	6	1200	(5.34)	268	(121.5)
B3162-2¹/₂			6	4-6	8	1800	(8.00)	358	(162.4)
B3163-2¹/₂			8	4-6	8	1800	(8.00)	417	(189.1)
B3164-2¹/₂			8	4-6	10	1800	(8.00)	459	(208.2)

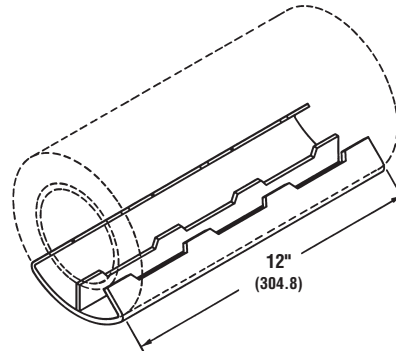
All dimensions in charts and on drawings are in inches. Dimensions shown in parentheses are in millimeters unless otherwise specified.

Pipe Supports, Guides, Shields & Saddles

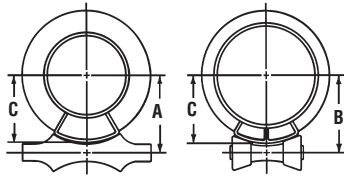
Fig. B3160 thru B3165 - Pipe Covering Protection Saddle (TOLCO Fig. 260 thru Fig. 265) (Continued)



Sizes 3/4" (20mm) thru 10" (250mm)



Sizes 12" (300mm) and larger



Insulation Thickness	Part Number
1" (25.4mm)	B3160
1 1/2" (38.1mm)	B3161
2" (50.8mm)	B3162
2 1/2" (63.5mm)	B3163
3" (76.2mm)	B3164
4" (101.6mm)	B3165

Part No.	Pipe Size In. (mm)		Centerline of Pipe to Centerline of Roll				Centerline of Pipe to Outside of Saddle C In. (mm)		Thickness of Covering (Per ASTM C 585) In. (mm)	
			A		B					
			B3114, B3120, B3122, B3122A In. (mm)	B3117SL, B3118SL, B3119SL, B3124, B3126 In. (mm)	B3110 In. (mm)					
B3160-3/4	3/4"	(20)	2" (50.8)	2 1/4" (57.1)	2" (50.8)	1 9/16" (39.7)	7/8" (22.2)			
B3161-3/4			2 7/16" (61.9)	2 7/8" (73.0)	2 3/8" (69.8)	2 3/16" (55.6)	1 1/2" (38.1)			
B3162-3/4			3 5/16" (84.1)	3 7/16" (87.3)	3 3/8" (85.7)	2 3/4" (69.8)	1 15/16" (49.2)			
B3160-1	1"	(25)	2 5/16" (58.7)	2 1/2" (63.5)	2 5/16" (58.7)	1 13/16" (46.0)	1 1/16" (27.0)			
B3161-1			2 7/8" (73.0)	3" (76.2)	2 7/8" (73.0)	2 5/16" (58.7)	1 9/16" (39.7)			
B3160-1			3 7/16" (87.3)	3 5/8" (92.1)	3 1/2" (88.9)	2 7/8" (73.0)	2 1/8" (54.0)			
B3162-1 1/4	1 1/4"	(32)	2 9/16" (65.1)	2 11/16" (68.3)	2 1/2" (63.5)	2" (50.8)	1 5/16" (23.8)			
B3161-1 1/4			3 1/8" (79.4)	3 1/4" (82.5)	3 1/8" (79.4)	2 9/16" (65.1)	1 7/16" (36.5)			
B3162-1 1/4			3 11/16" (93.7)	3 13/16" (96.8)	3 7/16" (87.3)	3 1/16" (77.8)	2 1/8" (54.0)			
B3163-1 1/4			4 1/16" (103.2)	4 1/8" (104.8)	4 1/16" (103.2)	3 7/16" (87.3)	2 7/16" (61.9)			
B3160-1 1/2	1 1/2"	(40)	2 11/16" (68.3)	2 7/8" (73.0)	2 7/16" (61.9)	2 1/8" (54.0)	1 1/32" (26.2)			
B3161-1 1/2			3 3/16" (81.0)	3 5/16" (84.1)	3 3/16" (81.0)	2 9/16" (65.1)	1 17/32" (38.9)			
B3162-1 1/2			3 9/16" (90.5)	3 13/16" (96.8)	3 13/16" (96.8)	3 1/8" (79.4)	2" (50.8)			
B3163-1 1/2			4 7/16" (112.7)	4 3/8" (111.1)	4 1/2" (114.3)	3 5/8" (92.1)	2 27/32" (72.2)			
B3160-2	2"	(50)	2 15/16" (74.6)	3 1/8" (79.4)	2 15/16" (74.6)	2 3/8" (60.3)	1 1/16" (27.0)			
B3161-2			3 7/16" (87.3)	3 5/8" (92.1)	3 1/2" (88.9)	2 7/8" (73.0)	1 19/32" (40.5)			
B3162-2			4 1/8" (104.8)	4 1/8" (104.8)	4 1/16" (103.2)	3 7/16" (87.3)	2 1/8" (54.0)			
B3163-2			4 11/16" (119.1)	4 11/16" (119.1)	4 3/4" (120.6)	3 15/16" (100.0)	2 5/8" (66.7)			
B3164-2			5 1/4" (133.3)	5 3/16" (131.8)	5 1/4" (133.3)	4 1/2" (114.3)	3 1/8" (79.4)			
B3160-2 1/2	2 1/2"	(65)	3 1/4" (82.5)	3 3/8" (85.7)	3 1/4" (82.5)	2 5/8" (66.7)	1 1/16" (27.0)			
B3161-2 1/2			3 7/8" (98.4)	3 15/16" (100.0)	3 7/8" (98.4)	3 1/4" (82.5)	1 7/8" (47.6)			
B3162-2 1/2			4 9/16" (115.9)	4 9/16" (115.9)	4 5/8" (117.5)	3 7/8" (98.4)	2 5/16" (58.7)			
B3163-2 1/2			5 1/8" (130.2)	5" (127.0)	5 1/8" (130.2)	4 1/4" (107.9)	2 7/8" (73.0)			
B3164-2 1/2			5 7/16" (138.1)	5 5/16" (134.9)	5 1/2" (139.7)	4 9/16" (115.9)	3 1/16" (77.8)			

All dimensions in charts and on drawings are in inches. Dimensions shown in parentheses are in millimeters unless otherwise specified.

Pipe Supports, Guides, Shields & Saddles

Fig. B3160 thru B3165 - Pipe Covering Protection Saddle (TOLCO Fig. 260 thru Fig. 265) (Continued)

Supports, Guides,
Shields & Saddles

Insulation Thickness	Part Number
1" (25.4mm)	B3160
1 1/2" (38.1mm)	B3161
2" (50.8mm)	B3162

Insulation Thickness	Part Number
2 1/2" (63.5mm)	B3163
3" (76.2mm)	B3164
4" (101.6mm)	B3165

Part No.	Pipe Size In. (mm)		Size For Roller Part Number			Design Load		Approx. Wt./100	
			B3114 B3120 B3122 B3122A	B3117SL B3118SL B3119SL B3124 B3126	B3110	Lbs.	(kN)	Lbs.	(kg)
B3160-3	3"	(80)	4	2-3 1/2	5	1800	(8.00)	210	(95.2)
B3161-3			5	4-6	6	1800	(8.00)	268	(166.9)
B3162-3			6	4-6	8	1800	(8.00)	358	(162.4)
B3163-3			8	4-6	8	1800	(8.00)	417	(189.1)
B3164-3			8	8-10	10	1800	(8.00)	459	(208.2)
B3160-3 1/2	3 1/2"	(90)	5	4-6	6	1200	(5.34)	226	(102.5)
B3161-3 1/2			6	4-6	8	1800	(8.00)	289	(131.1)
B3162-3 1/2			8	4-6	8	1800	(8.00)	364	(165.1)
B3163-3 1/2			8	8-10	10	1800	(8.00)	422	(191.4)
B3164-3 1/2			10	8-10	10	1800	(8.00)	488	(221.3)
B3160-4	4"	(100)	5	4-6	6	1800	(8.00)	226	(102.5)
B3161-4			6	4-6	8	1800	(8.00)	289	(131.1)
B3162-4			8	8-10	8	1800	(8.00)	364	(165.1)
B3163-4			8	8-10	10	1800	(8.00)	422	(191.4)
B3164-4			10	8-10	10	1800	(8.00)	488	(221.3)
B3165-4			10	8-10	12	1800	(8.00)	616	(279.4)
B3160-5	5"	(125)	6	4-6	8	1800	(8.00)	250	(113.4)
B3161-5			8	4-6	8	1800	(8.00)	289	(131.1)
B3162-5			8	8-10	10	1800	(8.00)	364	(165.1)
B3163-5			10	8-10	10	1800	(8.00)	422	(191.4)
B3164-5			10	8-10	12	1800	(8.00)	488	(221.3)
B3165-5			12	8-10	14	1800	(8.00)	643	(291.6)
B3160-6	6"	(150)	8	8-10	8	1800	(8.00)	387	(175.5)
B3161-6			8	8-10	10	1800	(8.00)	498	(225.9)
B3162-6			10	8-10	10	1800	(8.00)	594	(269.4)
B3163-6			10	8-10	12	1800	(8.00)	694	(314.8)
B3164-6			12	8-10	12	1800	(8.00)	794	(360.1)
B3165-6			14	12-14	16	1800	(8.00)	1009	(457.7)
B3160-8	8"	(200)	10	8-10	12	1800	(8.00)	478	(216.8)
B3161-8			10	8-10	12	1800	(8.00)	554	(251.3)
B3162-8			10	8-10	12	1800	(8.00)	674	(305.7)
B3163-8			12	8-10	14	1800	(8.00)	782	(354.7)
B3164-8			14	12-14	16	1800	(8.00)	893	(405.0)
B3165-8			16	12-14	18	1800	(8.00)	1089	(494.0)
B3160-10	10"	(250)	12	12-14	14	1800	(8.00)	546	(247.6)
B3161-10			12	12-14	14	1800	(8.00)	642	(291.2)
B3162-10			14	16-20	16	1800	(8.00)	750	(340.2)
B3163-10			14	16-20	16	1800	(8.00)	850	(385.5)
B3164-10			16	16-20	18	1800	(8.00)	957	(434.1)
B3165-10			18	16-20	20	1800	(8.00)	1137	(515.7)

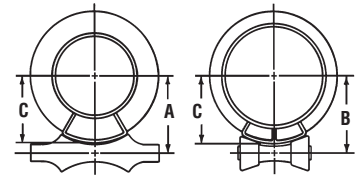
All dimensions in charts and on drawings are in inches. Dimensions shown in parentheses are in millimeters unless otherwise specified.

Pipe Supports, Guides, Shields & Saddles

Fig. B3160 thru B3165 - Pipe Covering Protection Saddle (Continued)

Insulation Thickness	Part Number
1" (25.4mm)	B3160
1 1/2" (38.1mm)	B3161
2" (50.8mm)	B3162

Insulation Thickness	Part Number
2 1/2" (63.5mm)	B3163
3" (76.2mm)	B3164
4" (101.6mm)	B3165



Part No.	Pipe Size In. (mm)		Centerline of Pipe to Centerline of Roll			Centerline of Pipe to Outside C (mm)		Thickness of Covering (Per ASTM C 585) In. (mm)	
			A B3114, B3120, B3122, B3122A In. (mm)	B B3117ST, B3118SL, B3119SL, B3124, B3126 In. (mm)	A of Saddle B3110 In. (mm)				
B3160-3	3"	(80)	3 3/8" (85.7)	3 1/2" (88.9)	3 5/8" (91.1)	3"	(76.2)	1 1/32"	(26.2)
B3161-3			4 1/4" (107.9)	4 5/16" (109.5)	4 1/4" (107.9)	3 9/16"	(90.5)	1 9/16"	(39.7)
B3162-3			4 15/16" (125.4)	4 15/16" (125.4)	4 15/16" (125.4)	4 3/16"	(106.4)	2 1/16"	(52.4)
B3163-3			5 7/16" (138.1)	5 3/8" (136.5)	5 7/16" (138.1)	4 5/8"	(117.5)	2 9/16"	(65.1)
B3164-3			5 13/16" (147.6)	6" (152.4)	5 7/8" (149.2)	4 15/16"	(125.4)	3 1/16"	(77.8)
B3160-3 1/2	3 1/2"	(90)	3 13/16" (96.8)	3 7/8" (98.4)	3 13/16" (96.8)	3 3/16"	(81.0)	1 1/32"	(26.2)
B3161-3 1/2			4 3/8" (111.1)	4 3/8" (111.1)	4 3/8" (111.1)	3 11/16"	(93.7)	1 9/16"	(39.7)
B3162-3 1/2			5" (127.0)	5" (127.0)	5" (127.0)	4 1/4" (107.9)	(107.9)	2 1/16"	(52.4)
B3163-3 1/2			5 1/2" (139.7)	5 11/16" (144.5)	5 9/16" (141.3)	4 5/8"	(117.5)	2 25/32"	(70.6)
B3164-3 1/2			6 3/16" (157.2)	6 5/16" (160.3)	6 3/16" (157.2)	5 1/4" (133.3)	(133.3)	3 1/16"	(77.8)
B3160-4	4"	(100)	4 1/8" (104.8)	4 1/8" (104.8)	4 1/8" (104.8)	3 7/16"	(87.3)	1 1/16"	(27.0)
B3161-4			4 11/16" (119.1)	4 7/16" (112.7)	4 3/4" (120.6)	4"	(101.6)	1 9/16"	(39.7)
B3162-4			5 5/16" (134.9)	5 1/4" (133.3)	5 5/16" (134.9)	4 1/2" (114.3)	(114.3)	2 1/16"	(52.4)
B3163-4			5 13/16" (147.6)	6" (152.4)	5 7/8" (149.2)	4 15/16"	(125.4)	2 9/16"	(65.1)
B3164-4			6 7/16" (163.5)	6 9/16" (166.7)	6 7/16" (163.5)	5 1/2" (139.7)	(139.7)	3 1/8"	(79.4)
B3165-4	7 9/16" (192.1)	7 5/8" (193.7)	7 9/16" (192.1)	6 1/2" (165.1)	(165.1)	4 1/8"	(104.8)		
B3160-5	5"	(125)	4 11/16" (119.1)	4 11/16" (119.1)	4 3/4" (120.6)	3 15/16"	(100.0)	1 1/32"	(26.2)
B3161-5			5 5/16" (134.9)	5 1/4" (133.3)	5 5/16" (134.9)	4 9/16"	(115.9)	1 17/32"	(38.9)
B3162-5			5 7/8" (149.2)	6 1/8" (155.6)	6" (152.4)	5 1/8"	(130.2)	2 1/32"	(51.6)
B3163-5			6 7/16" (163.5)	6 9/16" (166.7)	6 7/16" (163.5)	5 9/16"	(141.3)	2 9/16"	(65.1)
B3164-5			7" (177.8)	7 3/16" (182.6)	7 1/8" (181.0)	6 1/8"	(155.6)	3 3/32"	(78.6)
B3165-5	8 3/16" (208.0)	8 3/16" (208.0)	8 3/8" (212.7)	7 1/16"	(179.4)	4 5/32"	(105.5)		
B3160-6	6"	(150)	5 1/4" (133.3)	5 1/4" (133.3)	5 1/4" (133.3)	4 1/2" (114.3)	1"	(25.4)	
B3161-6			5 7/8" (149.2)	6 1/16" (154.0)	5 15/16" (150.8)	5"	(127.0)	1 1/2"	(38.1)
B3162-6			6 1/2" (165.1)	6 5/8" (168.3)	6 1/2" (165.1)	5 9/16"	(141.3)	2 1/16"	(52.4)
B3163-6			7 1/16" (179.4)	7 1/8" (181.0)	7 1/8" (181.0)	6 1/16"	(154.0)	2 9/16"	(65.1)
B3164-6			7 5/8" (193.7)	7 11/16" (195.3)	7 5/8" (193.7)	6 9/16"	(166.7)	3 1/16"	(77.8)
B3165-6	9 1/16" (230.2)	8 15/16" (227.0)	9" (228.6)	7 3/4" (196.8)	(196.8)	4 3/16"	(106.4)		
B3160-8	8"	(200)	6 1/2" (165.1)	6 5/8" (168.3)	6 9/16" (166.7)	5 9/16"	(141.3)	1 1/32"	(26.2)
B3161-8			7 1/16" (179.4)	7 1/8" (181.0)	7 1/16" (179.4)	6 1/16"	(154.0)	1 9/16"	(39.7)
B3162-8			7 9/16" (192.1)	7 5/8" (193.7)	7 5/8" (193.7)	6 9/16"	(166.7)	2 1/16"	(52.4)
B3163-8			8 5/16" (211.1)	8 5/16" (211.1)	8 1/2" (215.9)	7 3/16"	(182.6)	2 11/16"	(68.3)
B3164-8			9 1/16" (230.2)	8 15/16" (227.0)	9" (228.6)	7 3/4" (196.8)	(196.8)	3 3/16"	(81.0)
B3165-8	10" (254.0)	9 15/16" (252.4)	10 1/16" (255.6)	8 11/16"	(220.7)	4 3/16"	(106.4)		
B3160-10	10"	(250)	7 11/16" (195.3)	7 3/4" (196.8)	7 7/8" (200.0)	6 5/8"	(168.3)	3 1/32"	(24.6)
B3161-10			8 5/16" (211.1)	8 5/16" (211.1)	8 7/16" (214.3)	7 3/16"	(182.6)	1 5/8"	(41.3)
B3162-10			9" (228.6)	8 7/8" (225.4)	8 7/8" (225.4)	7 11/16"	(195.3)	2 1/8"	(54.0)
B3163-10			9 5/8" (244.5)	9 7/16" (239.7)	9 1/2" (241.3)	8 3/16"	(208.0)	2 5/8"	(66.7)
B3164-10			10 1/8" (257.2)	10 3/16" (258.8)	10 3/16" (258.8)	8 3/4" (222.2)	(222.2)	3 1/8"	(79.4)
B3165-10	11 1/4" (285.7)	11 3/16" (284.2)	11 1/4" (285.7)	9 3/4" (247.6)	(247.6)	4 1/8"	(104.8)		

All dimensions in charts and on drawings are in inches. Dimensions shown in parentheses are in millimeters unless otherwise specified.

Supports, Guides,
Shields & Saddles

Pipe Supports, Guides, Shields & Saddles

Fig. B3160 thru B3165 - Pipe Covering Protection Saddle (TOLCO Fig. 260 thru Fig. 265) (Continued)

Insulation Thickness	Part Number	Insulation Thickness	Part Number
1" (25.4mm)	B3160	2 1/2" (63.5mm)	B3163
1 1/2" (38.1mm)	B3161	3" (76.2mm)	B3164
2" (50.8mm)	B3162	4" (101.6mm)	B3165

Supports, Guides, Shields & Saddles

Part No.	Pipe Size In. (mm)		Size For Roller Part Number			Design Load Lbs. (kN)		Approx. Wt./100 Lbs. (kg)	
			B3114 B3114 B3120, B3122 B3122A	B3117SL B3118SL B3119SL B3124, B3126	B3110				
B3160-12	12"	(300)	14	12-14	16	5000	(22.24)	688	(312.1)
B3161-12			14	12-14	16	5000	(22.24)	836	(379.2)
B3162-12			16	16-20	18	5000	(22.24)	963	(436.8)
B3163-12			16	16-20	18	5000	(22.24)	1091	(494.9)
B3164-12			18	16-20	20	5000	(22.24)	1218	(552.5)
B3165-12			20	16-20	24	5000	(22.24)	1462	(663.1)
B3161-14	14"	(350)	16	16-20	18	5000	(22.24)	828	(375.6)
B3162-14			16	16-20	18	5000	(22.24)	963	(436.8)
B3163-14			18	16-20	20	5000	(22.24)	1099	(498.5)
B3164-14			18	16-20	20	5000	(22.24)	1230	(557.9)
B3165-14			20	24	24	5000	(22.24)	1486	(674.0)
B3161-16	16"	(400)	18	16-20	20	5000	(22.24)	907	(411.4)
B3162-16			18	16-20	20	5000	(22.24)	1039	(471.3)
B3163-16			20	16-20	24	7200	(32.02)	1163	(527.5)
B3164-16			20	24	24	7200	(32.02)	1298	(588.8)
B3165-16			24	24	24	7200	(32.02)	1554	(704.9)
B3161-18	18"	(450)	20	16-20	24	5000	(22.24)	979	(444.1)
B3162-18			20	24	24	7200	(32.02)	1107	(502.1)
B3163-18			24	24	24	7200	(32.02)	1230	(557.9)
B3164-18			24	24	24	7200	(32.02)	1362	(617.8)
B3165-18			24	24	-	7200	(32.02)	1617	(733.5)
B3161-20	20"	(500)	24	24	24	7200	(32.02)	1043	(473.1)
B3162-20			24	24	24	7200	(32.02)	1171	(531.1)
B3163-20			24	24	-	7200	(32.02)	1294	(586.9)
B3164-20			24	24	-	7200	(32.02)	1430	(648.6)
B3165-20			30	30	-	7200	(32.02)	1689	(766.1)
B3161-24	24"	(600)	30	30	-	7200	(32.02)	1179	(534.8)
B3162-24			30	30	-	7200	(32.02)	1306	(592.4)
B3163-24			30	30	-	7200	(32.02)	1442	(654.1)
B3164-24			30	30	-	7200	(32.02)	1562	(708.5)
B3165-24			30	30	-	7200	(32.02)	1821	(826.0)
B3161-30	30"	(750)	-	36-42	-	7200	(32.02)	1370	(621.4)
B3162-30			-	36-42	-	7200	(32.02)	1502	(681.3)
B3163-30			-	36-42	-	7200	(32.02)	1640	(743.9)
B3164-30			-	36-42	-	7200	(32.02)	1761	(798.8)
B3165-30			-	36-42	-	7200	(32.02)	2008	(910.8)
B3161-36	36"	(900)	-	36-42	-	7200	(32.02)	1574	(713.9)
B3162-36			-	36-42	-	7200	(32.02)	1701	(771.6)
B3163-36			-	36-42	-	7200	(32.02)	1857	(842.3)
B3164-36			-	36-42	-	7200	(32.02)	1961	(889.5)
B3165-36			-	36-42	-	7200	(32.02)	2216	(1005.2)

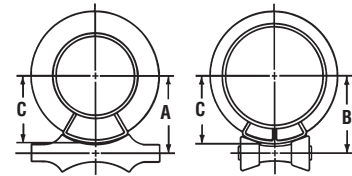
All dimensions in charts and on drawings are in inches. Dimensions shown in parentheses are in millimeters unless otherwise specified.

Pipe Supports, Guides, Shields & Saddles

Fig. B3160 thru B3165 - Pipe Covering Protection Saddle (Continued)

Insulation Thickness	Part Number
1" (25.4mm)	B3160
1 1/2" (38.1mm)	B3161
2" (50.8mm)	B3162

Insulation Thickness	Part Number
2 1/2" (63.5mm)	B3163
3" (76.2mm)	B3164
4" (101.6mm)	B3165



Part No.	Nominal Pipe Size In. (mm)		Centerline of Pipe to Centerline of Roll				Centerline of Pipe to Outside of Saddle C (mm)		Thickness of Covering (Per ASTM C 585) In. (mm)			
			A B3114, B3120 B3122, B3122A In. (mm)		B B3117SL, B3118SL B3119SL B3124, B3126 In. (mm)						A B3110 In. (mm)	
B3160-12	12"	(300)	8 15/16"	(227.0)	8 13/16"	(223.8)	8 7/8"	(225.4)	7 5/8"	(193.7)	1 1/16"	(27.0)
B3161-12			9 9/16"	(242.9)	9 7/16"	(239.7)	9 1/2"	(241.3)	8 3/16"	(208.0)	1 5/8"	(41.3)
B3162-12			10 1/16"	(255.6)	10 1/8"	(257.2)	10 1/8"	(257.2)	8 3/4"	(222.2)	2 1/8"	(54.0)
B3163-12			10 5/8"	(269.9)	10 5/8"	(269.9)	10 5/8"	(269.9)	9 1/4"	(234.9)	2 5/8"	(66.7)
B3164-12			11 3/16"	(284.2)	11 3/16"	(284.2)	11 1/4"	(285.7)	9 11/16"	(246.1)	3 1/8"	(79.4)
B3165-12			12 5/16"	(312.7)	12 3/16"	(309.6)	12 5/16"	(312.7)	10 3/4"	(273.0)	4 1/8"	(104.8)
B3161-14	14"	(350)	10 1/16"	(255.6)	9 15/16"	(252.4)	10 1/16"	(255.6)	8 11/16"	(220.7)	1 1/2"	(38.1)
B3162-14			10 5/8"	(269.9)	10 5/8"	(269.9)	10 5/8"	(269.9)	9 3/16"	(233.4)	2"	(50.8)
B3163-14			11 3/16"	(284.2)	11 3/16"	(284.2)	11 1/4"	(285.7)	9 3/4"	(247.6)	2 1/2"	(63.5)
B3164-14			11 3/4"	(298.4)	11 11/16"	(296.9)	11 3/4"	(298.4)	10 1/4"	(260.3)	3"	(76.2)
B3165-14			12 7/8"	(327.0)	12 7/16"	(315.9)	12 7/8"	(327.0)	11 3/16"	(284.2)	4"	(101.6)
B3161-16	16"	(400)	11 1/8"	(282.6)	11 1/8"	(282.6)	11 3/16"	(284.2)	9 11/16"	(246.1)	1 1/2"	(38.1)
B3162-16			11 13/16"	(300.0)	11 11/16"	(296.9)	11 3/4"	(298.4)	10 1/4"	(260.3)	2"	(50.8)
B3163-16			12 5/16"	(312.7)	12 1/8"	(308.0)	12 5/16"	(312.7)	10 11/16"	(271.5)	2 1/2"	(63.5)
B3164-16			12 7/8"	(327.0)	12 9/16"	(319.1)	12 7/8"	(327.0)	11 1/4"	(285.7)	3"	(76.2)
B3165-16			13 15/16"	(354.0)	13 9/16"	(344.5)	13 15/16"	(354.0)	12 1/4"	(311.1)	4"	(101.6)
B3161-18	18"	(450)	12 1/4"	(311.1)	12 1/8"	(308.0)	12 1/4"	(311.1)	10 11/16"	(271.5)	1 1/2"	(38.1)
B3162-18			12 7/8"	(327.0)	12 1/2"	(317.5)	12 7/8"	(327.0)	11 1/4"	(285.7)	2"	(50.8)
B3163-18			13 3/8"	(339.7)	13"	(330.2)	13 3/8"	(339.7)	11 11/16"	(296.9)	2 1/2"	(63.5)
B3164-18			13 15/16"	(354.0)	13 9/16"	(344.5)	13 15/16"	(354.0)	12 1/4"	(311.1)	3"	(76.2)
B3165-18			15"	(381.0)	14 9/16"	(369.9)	--	--	13 1/4"	(336.5)	4"	(101.6)
B3161-20	20"	(500)	13 3/8"	(339.7)	13"	(330.2)	13 3/8"	(339.7)	11 11/16"	(296.9)	1 1/2"	(38.1)
B3162-20			13 15/16"	(354.0)	13 1/2"	(342.9)	13 15/16"	(354.0)	12 3/16"	(309.6)	2"	(50.8)
B3163-20			14 7/16"	(366.7)	14"	(355.6)	--	--	12 11/16"	(322.3)	2 1/2"	(63.5)
B3164-20			14 15/16"	(379.4)	14 9/16"	(369.9)	--	--	13 3/16"	(350.8)	3"	(76.2)
B3165-20			16 1/4"	(412.7)	15 7/8"	(403.2)	--	--	14 1/4"	(361.9)	4"	(101.6)
B3161-24	24"	(600)	15 11/16"	(398.5)	15 5/16"	(388.9)	--	--	13 11/16"	(347.7)	1 1/2"	(38.1)
B3162-24			16 1/4"	(412.8)	15 7/8"	(403.2)	--	--	14 3/16"	(360.4)	2"	(50.8)
B3163-24			16 3/4"	(425.4)	16 5/16"	(414.3)	--	--	14 5/8"	(377.8)	2 1/2"	(63.5)
B3164-24			17 3/8"	(441.3)	16 7/8"	(428.6)	--	--	15 1/4"	(387.3)	3"	(76.2)
B3165-24			18 7/16"	(468.3)	17 15/16"	(455.6)	--	--	16 1/4"	(412.7)	4"	(101.6)
B3161-30	30"	(750)	--	--	18 7/8"	(479.4)	--	--	16 11/16"	(423.9)	1 1/2"	(38.1)
B3162-30			--	--	19 3/8"	(492.1)	--	--	17 3/16"	(436.6)	2"	(50.8)
B3163-30			--	--	19 15/16"	(506.4)	--	--	17 11/16"	(449.3)	2 1/2"	(63.5)
B3164-30			--	--	20 1/2"	(520.7)	--	--	18 3/16"	(462.0)	3"	(76.2)
B3165-30			--	--	21 1/2"	(546.1)	--	--	19 3/16"	(487.4)	4"	(101.6)
B3161-36	36"	(900)	--	--	22 1/8"	(562.0)	--	--	19 11/16"	(500.1)	1 1/2"	(38.1)
B3162-36			--	--	22 5/8"	(574.7)	--	--	20 3/16"	(512.8)	2"	(50.8)
B3163-36			--	--	23 3/16"	(589.0)	--	--	20 11/16"	(525.5)	2 1/2"	(63.5)
B3164-36			--	--	23 11/16"	(601.7)	--	--	21 3/16"	(538.2)	3"	(76.2)
B3165-36			--	--	24 11/16"	(627.1)	--	--	22 3/16"	(563.6)	4"	(101.6)

All dimensions in charts and on drawings are in inches. Dimensions shown in parentheses are in millimeters unless otherwise specified.

Supports, Guides,
Shields & Saddles

Pipe Supports, Guides, Shields & Saddles

Insulation Protection Shields (TOLCO Fig. 219 & Fig. 220)

Selection Tables for:

- Fig. B3151 Insulation Protection Shield (Page 161)
- Fig. B3153 Insulation Protection Shield with 'Loc' Tabs (Page 161)
- Fig. B3154 Short Insulation Protection Shield (Page 162)
- Fig. B3155 Short Insulation Protection Shield with 'Loc' Tabs (Page 162)

Shield Size Selection Table

Nominal Pipe or Tubing Size		Insulation Thickness							
		1/2" (12.7mm)	3/4" (19.0mm)	1" (25.4mm)	1 1/2" (38.1mm)	2" (50.8mm)	2 1/2" (63.5mm)	3" (76.2mm)	4" (101.6mm)
1/2"	(15)	1X	2X	3X	5X	7X	--	--	--
3/4"	(20)	2X	3X	3X	5X	7X	--	--	--
1"	(25)	2X	3X	4X	6X	8X	--	--	--
1 1/4"	(32)	3X	4X	4X	7X	8X	--	--	--
1 1/2"	(40)	3X	4X	5X	7X	9X	--	--	--
2"	(50)	4X	5X	6X	8X	9X	10X*	11X*	--
2 1/2"	(65)	5X	6X	7X	9X	10X*	11X*	11X*	13Y*
3"	(80)	6X	7X	8X	9X	10X*	11X*	12Y*	14Z
3 1/2"	(90)	7X	8X	9X	10X*	11X*	12Y*	13Y*	15Z
4"	(100)	8X	9X	9X	10X*	11X*	12Y*	13Y*	15Z
5"	(125)	--	--	10Y*	11Y*	12Y*	13Y*	14Z	16Z
6"	(150)	--	--	11Y*	12Y*	13Y*	14Z	15Z	17Z
8"	(200)	--	--	13Y*	14Z	15Z	16Z	17Z	19Z
10"	(250)	--	--	15Z	16Z	17Z	18Z	19Z	21Z
12"	(300)	--	--	17Z	18Z	19Z	20Z	21Z	23Z
14"	(350)	--	--	18Z	19Z	20Z	21Z	22Z	24Z
16"	(400)	--	--	20Z	21Z	22Z	23Z	24Z	26Z
18"	(450)	--	--	22Z	23Z	24Z	25Z	26Z	28Z
20"	(500)	--	--	24Z	25Z	26Z	27Z	28Z	30Z
24"	(600)	--	--	28Z	29Z	30Z	31Z	32Z	33Z

*When selecting B3154 or B3155, replace 'X' or 'Y' designation with 'Z'.

Pipe Hanger Size Selection Table

Nominal Pipe or Tubing Size		Insulation Thickness							
		1/2" (12.7mm)	3/4" (19.0mm)	1" (25.4mm)	1 1/2" (38.1mm)	2" (50.8mm)	2 1/2" (63.5mm)	3" (76.2mm)	4" (101.6mm)
1/2"	(15)	1 1/2	2	2 1/2	3 1/2	5	--	--	--
3/4"	(20)	2	2 1/2	2 1/2	3 1/2	5	--	--	--
1"	(25)	2	2 1/2	3	4	5	--	--	--
1 1/4"	(32)	2 1/2	3	3	5	5	--	--	--
1 1/2"	(40)	2 1/2	3	3 1/2	5	6	--	--	--
2"	(50)	3	3 1/2	4	5	6	8	8	--
2 1/2"	(65)	3 1/2	4	5	6	8	8	10	10
3"	(80)	4	5	5	6	8	8	10	12
3 1/2"	(90)	5	5	6	8	8	10	10	12
4"	(100)	5	6	6	8	8	10	10	12
5"	(125)	--	--	8	8	10	10	12	14
6"	(150)	--	--	8	10	10	12	12	16
8"	(200)	--	--	10	12	12	14	16	18
10"	(250)	--	--	12	14	16	16	18	20
12"	(300)	--	--	14	16	18	18	20	22
14"	(350)	--	--	16	18	18	20	20	22
16"	(400)	--	--	18	20	20	22	22	24
18"	(450)	--	--	20	22	22	24	24	26
20"	(500)	--	--	22	24	24	26	26	28
24"	(600)	--	--	26	28	28	30	30	32

All dimensions in charts and on drawings are in inches. Dimensions shown in parentheses are in millimeters unless otherwise specified.

Pipe Supports, Guides, Shields & Saddles

Fig. B3151 - Insulation Protection Shield (TOLCO Fig. 220)

Fig. B3153 - Insulation Protection Shield with "Loc" Tabs (TOLCO Fig. 219)

Material: Steel (Stainless steel available)

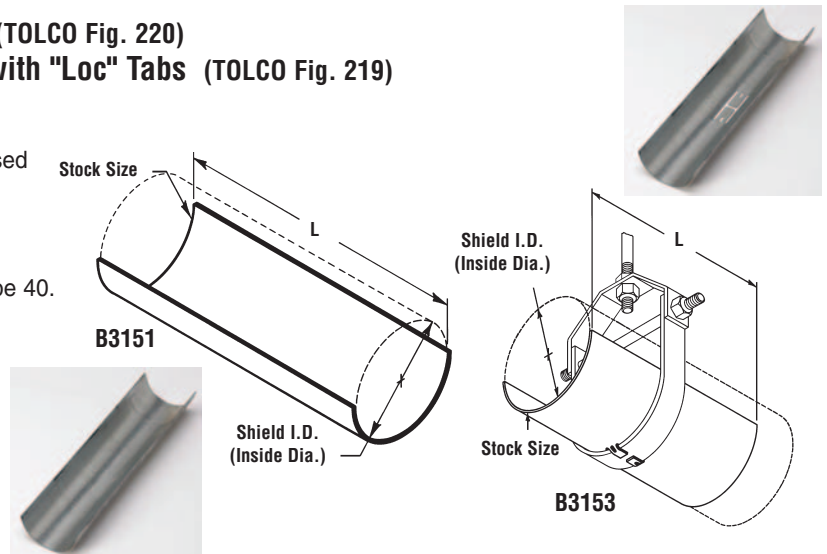
Function: Designed to protect pipe insulation when used with hangers.

Approvals: Complies with Federal Specification WW-H-171E & A-A-1192A Type 41 and Manufacturers Standardization Society ANSI/MSS SP-69 & SP-58 Type 40.

Finish: Pre-Galvanized

Order By: Figure number and finish.

Note: See Selection Tables on page 160 for proper sizing.



B3153 same dimension as B3151, but with bottom tabs for centering and securing the shield to hanger.

Part No.	Part No.	Stock Size		L		Shield 'I.D.'		Approx. Wt./100		Pipe Hanger Size	
		in.	(mm)	in.	(mm)	in.	(mm)	Lbs.	(kg)	in.	(mm)
B3151-1X	B3153-1X	18 Ga.	(1.2)	12"	(304.8)	1.90	(48.2)	50	(22.7)	1 1/2"	(40)
B3151-2X	B3153-2X	18 Ga.	(1.2)	12"	(304.8)	2.38	(60.4)	62	(28.1)	2"	(50)
B3151-3X	B3153-3X	18 Ga.	(1.2)	12"	(304.8)	2.88	(73.1)	75	(34.0)	2 1/2"	(65)
B3151-4X	B3153-4X	18 Ga.	(1.2)	12"	(304.8)	3.50	(88.9)	92	(41.7)	3"	(80)
B3151-5X	B3153-5X	18 Ga.	(1.2)	12"	(304.8)	4.00	(101.6)	104	(47.2)	3 1/2"	(90)
B3151-6X	B3153-6X	18 Ga.	(1.2)	12"	(304.8)	4.50	(114.3)	118	(53.5)	4"	(100)
B3151-7X	B3153-7X	18 Ga.	(1.2)	12"	(304.8)	5.00	(127.0)	129	(58.5)	5"	(125)
B3151-8X	B3153-8X	18 Ga.	(1.2)	12"	(304.8)	5.56	(141.2)	147	(66.7)	5"	(125)
B3151-9X	B3153-9X	16 Ga.	(1.5)	12"	(304.8)	6.64	(168.6)	219	(99.3)	6"	(150)
B3151-10X	B3153-10X	16 Ga.	(1.5)	12"	(304.8)	7.64	(194.0)	253	(114.7)	8"	(200)
B3151-11X	B3153-11X	16 Ga.	(1.5)	12"	(304.8)	8.64	(219.4)	286	(129.7)	8"	(200)
B3151-10Y	--	16 Ga.	(1.5)	18"	(457.2)	7.64	(194.0)	377	(171.0)	8"	(200)
B3151-11Y	--	16 Ga.	(1.5)	18"	(457.2)	8.64	(219.4)	424	(192.3)	8"	(200)
B3151-12Y	--	16 Ga.	(1.5)	18"	(457.2)	9.64	(244.8)	475	(215.4)	10"	(250)
B3151-13Y	--	16 Ga.	(1.5)	18"	(457.2)	10.76	(273.3)	529	(239.9)	10"	(250)
B3151-14Z	--	14 Ga.	(1.9)	24"	(609.6)	11.76	(298.7)	964	(437.3)	12"	(300)
B3151-15Z	--	14 Ga.	(1.9)	24"	(609.6)	12.76	(324.1)	1045	(474.0)	12"	(300)
B3151-16Z	--	14 Ga.	(1.9)	24"	(609.6)	14.00	(355.6)	1146	(519.8)	14"	(350)
B3151-17Z	--	14 Ga.	(1.9)	24"	(609.6)	15.00	(381.0)	1227	(556.5)	16"	(400)
B3151-18Z	--	14 Ga.	(1.9)	24"	(609.6)	16.00	(406.4)	1308	(593.3)	16"	(400)
B3151-19Z	--	14 Ga.	(1.9)	24"	(609.6)	17.00	(431.8)	1393	(631.8)	18"	(450)
B3151-20Z	--	12 Ga.	(2.6)	24"	(609.6)	18.00	(457.2)	2064	(936.2)	18"	(450)
B3151-21Z	--	12 Ga.	(2.6)	24"	(609.6)	19.00	(482.6)	2178	(987.9)	20"	(500)
B3151-22Z	--	12 Ga.	(2.6)	24"	(609.6)	20.00	(508.0)	2292	(1039.6)	20"	(500)
B3151-23Z	--	12 Ga.	(2.6)	24"	(609.6)	21.00	(533.4)	2406	(1091.3)	24"	(600)
B3151-24Z	--	12 Ga.	(2.6)	24"	(609.6)	22.00	(558.8)	2520	(1143.1)	24"	(600)
B3151-25Z	--	12 Ga.	(2.6)	24"	(609.6)	23.00	(584.2)	2634	(1194.8)	24"	(600)
B3151-26Z	--	12 Ga.	(2.6)	24"	(609.6)	24.00	(609.6)	2753	(1248.7)	24"	(600)
B3151-27Z	--	12 Ga.	(2.6)	24"	(609.6)	25.00	(635.0)	2862	(1298.2)	30"	(750)
B3151-28Z	--	12 Ga.	(2.6)	24"	(609.6)	26.00	(660.4)	2980	(1351.7)	30"	(750)
B3151-29Z	--	12 Ga.	(2.6)	24"	(609.6)	27.00	(685.8)	3094	(1403.4)	30"	(750)
B3151-30Z	--	12 Ga.	(2.6)	24"	(609.6)	28.00	(711.2)	3208	(1455.1)	30"	(750)

All dimensions in charts and on drawings are in inches. Dimensions shown in parentheses are in millimeters unless otherwise specified.

Pipe Supports, Guides, Shields & Saddles

Supports, Guides, Shields & Saddles

Fig. B3154 - Short Insulation Protection Shield (TOLCO Fig. 220)

Fig. B3155 - Short Insulation Protection Shield with "Loc" Tabs (TOLCO Fig. 219)

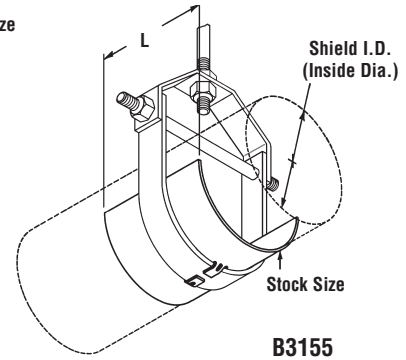
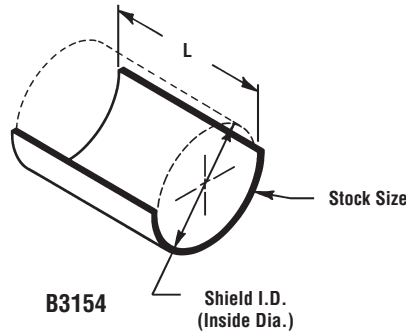
Material: Steel (Stainless steel available)

Function: Designed for protection of foam, fiberglass, or high density insulation when used with pipe hangers.

Finish: Pre-Galvanized

Order By: Figure part number and finish.

Note: See Selection Tables on page 160 for proper sizing.



B3155 same dimension as B3154 but with bottom tabs for centering and securing the shield to hanger.

Part No.	Part No.	Stock Size		L		Shield 'I.D.'		Approx. Wt./100		Pipe Hanger Size	
		in.	(mm)	in.	(mm)	in.	(mm)	Lbs.	(kg)	in.	(mm)
B3154-1X	B3155-1X	18 Ga.	(1.2)	8"	(203.2)	1.90	(48.2)	36	(16.3)	1 1/2"	(40)
B3154-2X	B3155-2X	18 Ga.	(1.2)	8"	(203.2)	2.38	(60.4)	45	(20.4)	2"	(50)
B3154-3X	B3155-3X	18 Ga.	(1.2)	8"	(203.2)	2.88	(73.1)	54	(24.5)	2 1/2"	(65)
B3154-4X	B3155-4X	18 Ga.	(1.2)	8"	(203.2)	3.50	(88.9)	66	(29.9)	3"	(80)
B3154-5X	B3155-5X	18 Ga.	(1.2)	8"	(203.2)	4.00	(101.6)	75	(34.0)	3 1/2"	(90)
B3154-6X	B3155-6X	18 Ga.	(1.2)	8"	(203.2)	4.50	(114.3)	84	(38.1)	4"	(100)
B3154-7X	B3155-7X	18 Ga.	(1.2)	8"	(203.2)	5.00	(127.0)	93	(42.2)	5"	(125)
B3154-8X	B3155-8X	18 Ga.	(1.2)	8"	(203.2)	5.56	(141.2)	105	(47.6)	5"	(125)
B3154-9X	B3155-9X	18 Ga.	(1.2)	8"	(203.2)	6.64	(168.6)	126	(57.1)	6"	(150)
B3154-10Z	B3155-10Z	18 Ga.	(1.2)	12"	(304.8)	7.64	(194.0)	218	(98.9)	8"	(200)
B3154-11Z	B3155-12Z	18 Ga.	(1.2)	12"	(304.8)	8.64	(219.4)	247	(112.0)	8"	(200)
B3154-12Z	B3155-12Z	18 Ga.	(1.2)	12"	(304.8)	9.64	(244.8)	273	(123.8)	10"	(250)
B3154-13Z	B3155-13Z	18 Ga.	(1.2)	12"	(304.8)	10.76	(273.3)	304	(137.9)	10"	(250)
B3154-14Z	B3155-14Z	18 Ga.	(1.2)	12"	(304.8)	11.76	(298.7)	332	(150.6)	12"	(300)
B3154-15Z	B3155-15Z	18 Ga.	(1.2)	12"	(304.8)	12.76	(324.1)	360	(163.3)	12"	(300)

All dimensions in charts and on drawings are in inches. Dimensions shown in parentheses are in millimeters unless otherwise specified.

Snap 'N Shield™ Clevis

Size Range:

2.34" (59.4mm), 3.45" (87.6mm), 4.50" (114.3mm), 5.53" (140.4mm), 8.64" (168.5mm), and 8.64" (219.4mm) Shield Openings

Material: Plastic - Gray Thermylene P6-20FG-0738

Features:

- UV resistant
- Operating temperature -40°F (87.6°C) to +178°F (87.6°C)
- Paintable (preserves mechanical properties even after painting)
- Shield length is 12" (304.8mm).
- Non-adhesive surface for linear expansion of thermal insulation
- Protects insulation from damage caused by rubbing against other pipes and fittings.

Order By: Figure number.



Built-In Shock Indicator



Clevis Shield Catalog Number	Inside Opening		Approx. Wt./100		Clevis Hanger Size
	in.	(mm)	lbs.	(kg)	
BPH250G	2.34"	(59)	28.1	(12.7)	B3100-2
BPH350G	3.45"	(87)	40.6	(18.4)	B3100-3
BPH450G	4.50"	(114)	56.2	(25.5)	B3100-4
BPH550G	5.53"	(140)	74.2	(33.6)	B3100-5
BPH650G	6.64"	(168)	86.7	(39.3)	B3100-6
BPH850G	8.64"	(219)	150.0	(68.0)	B3100-8

Copper Tubing Size	Insulation Thickness				
	1/2"	3/4"	1"	1 1/2"	2"
1/4"	BPH250	BPH250	BPH350	BPH350	BPH450
3/8"	BPH250	BPH250	BPH350	BPH450	BPH450
1/2"	BPH250	BPH250	BPH350	BPH450	BPH550
5/8"	BPH250	BPH250	BPH350	BPH450	BPH550
3/4"	BPH250	BPH350	BPH350	BPH450	BPH550
1"	BPH250	BPH350	BPH350	BPH450	BPH550
1 1/4"	BPH350	BPH350	BPH350	BPH450	BPH550
1 1/2"	BPH350	BPH350	BPH450	BPH550	BPH650
2"	BPH350	BPH450	BPH450	BPH550	BPH650
2 1/2"	BPH450	BPH450	BPH550	BPH650	BPH850
3"	BPH450	BPH550	BPH550	BPH650	BPH850
3 1/2"	BPH550	BPH550	BPH650	BPH850	BPH850
4"	BPH550	BPH650	BPH650	BPH850	BPH850

Sch. 40/80 Pipe	Insulation Thickness				
	1/2"	3/4"	1"	1 1/2"	2"
1/4"	BPH250	BPH250	BPH350	BPH450	BPH550
3/8"	BPH250	BPH250	BPH350	BPH450	BPH550
1/2"	BPH250	BPH250	BPH350	BPH450	BPH550
3/4"	BPH250	BPH350	BPH350	BPH450	BPH550
1"	BPH250	BPH350	BPH350	BPH450	BPH550
1 1/4"	BPH350	BPH350	BPH450	BPH550	BPH650
1 1/2"	BPH350	BPH350	BPH450	BPH550	BPH650
2"	BPH350	BPH450	BPH450	BPH550	BPH650
2 1/2"	BPH450	BPH450	BPH550	BPH650	BPH850
3"	BPH450	BPH550	BPH550	BPH650	BPH850
3 1/2"	BPH550	BPH550	BPH650	BPH850	BPH850
4"	BPH550	BPH650	BPH650	BPH850	BPH850

All dimensions in charts and on drawings are in inches. Dimensions shown in parentheses are in millimeters unless otherwise specified.

Pipe Supports, Guides, Shields & Saddles

Snap 'N Shield™ Series

Size Range:

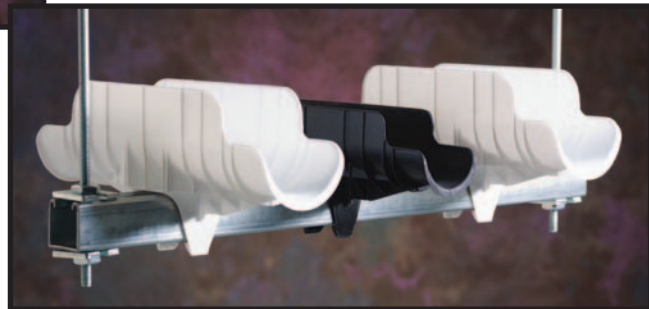
2¹/₄" (57.1mm), 3¹/₄" (82.5mm), 4¹/₄" (107.9mm), 5¹/₄" (133.3mm), 6¹/₄" (158.7mm), and 8⁵/₈" (219.1mm) Shield Openings

Material: Plastic - Black & White

Features:

- Ideal for horizontal pipe runs.
- Offers maximum protection for insulated pipe.
- Snaps directly onto channel.
- Shield length is 12" (304.8mm).
- Fast, easy installation – no tools required.
- Snap-on design eliminates shield movement, preventing insulation damage that can lead to costly leaks.
- Allows pipe to expand without damaging the insulation.
- Protects insulation from damage caused by rubbing against other pipes and fittings.
- Designed for side-by-side installations.
- The most reliable, durable, and cost-effective way to protect your insulation.
- Patent Pending.

Order By: Figure number.



Technical Specifications

Applications: Refrigeration, Air Conditioning, and Plumbing

Material: Basell Pro-Fax 8523 Polypropylene Copolymer

- UV resistant
- Operating temperature -40°F to +178°F
- Paintable (Preserves mechanical properties even after painting)
- Non-adhesive surface for linear expansion of thermal insulation

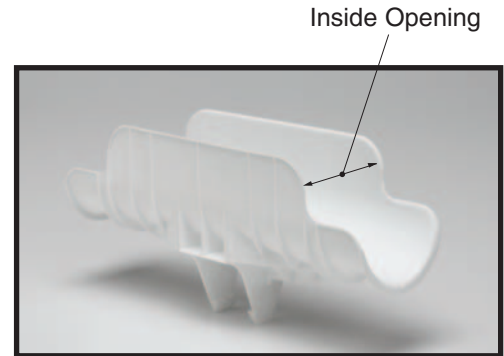
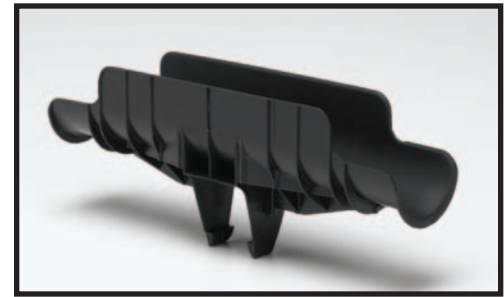
Certification: UL Classified for USA (UL-723 (ASTM E 84))
and ULC listed for Canada (ULC-S102.2).
Meets UL94 HB flammability standards

All dimensions in charts and on drawings are in inches. Dimensions shown in parentheses are in millimeters unless otherwise specified.

Pipe Supports, Guides, Shields & Saddles

Snap'N Shield™ Series

Black Shields Part Number	White Shields Part Number	Gray Shields Part Number	Inside Opening		Approx. Wt./100	
			in.	(mm)	Lbs.	(kg)
BPS225B	BPS225W	--	2 1/4"	(57)	26	(11.8)
BPS325B	BPS325W	--	3 1/4"	(82)	37	(16.8)
BPS425B	BPS425W	--	4 1/4"	(108)	52	(23.6)
BPS525B	BPS525W	--	5 1/4"	(133)	69	(31.3)
BPS625B	BPS625W	--	6 1/4"	(159)	83	(37.6)
--	--	BPS862G	8 5/8"	(219)	103	(46.7)
BPSCB	BPSCW		Universal Cover		22	(10.0)



Supports, Guides, Shields & Saddles

Copper Tubing Size	Insulation Thickness				
	1/2"	3/4"	1"	1 1/2"	2"
1/4"	BPS225	BPS225	BPS325	BPS425	BPS525
3/8"	BPS225	BPS225	BPS325	BPS425	BPS525
1/2"	BPS225	BPS225	BPS325	BPS425	BPS525
5/8"	BPS225	BPS325	BPS325	BPS425	BPS525
3/4"	BPS225	BPS325	BPS325	BPS425	BPS525
1"	BPS225	BPS325	BPS325	BPS425	BPS525
1 1/4"	BPS325	BPS325	BPS425	BPS525	BPS625
1 1/2"	BPS325	BPS325	BPS425	BPS525	BPS625
2"	BPS325	BPS425	BPS425	BPS525	BPS625
2 1/2"	BPS425	BPS425	BPS525	BPS625	BPS862
3"	BPS425	BPS525	BPS525	BPS625	BPS862
3 1/2"	BPS525	BPS525	BPS625	BPS862	BPS862
4"	BPS525	BPS625	BPS625	BPS862	BPS862

Sch. 40/80 Pipe	Insulation Thickness				
	1/2"	3/4"	1"	1 1/2"	2"
1/4"	BPS225	BPS225	BPS325	BPS425	BPS525
3/8"	BPS225	BPS225	BPS325	BPS425	BPS525
1/2"	BPS225	BPS325	BPS325	BPS425	BPS525
3/4"	BPS225	BPS325	BPS325	BPS425	BPS525
1"	BPS325	BPS325	BPS425	BPS525	BPS625
1 1/4"	BPS325	BPS325	BPS425	BPS525	BPS625
1 1/2"	BPS325	BPS425	BPS425	BPS525	BPS625
2"	BPS425	BPS425	BPS425	BPS525	BPS625
2 1/2"	BPS425	BPS525	BPS525	BPS625	BPS862
3"	BPS525	BPS525	BPS625	BPS625	BPS862
3 1/2"	BPS525	BPS625	BPS625	BPS862	BPS862
4"	BPS625	BPS625	BPS862	BPS862	BPS862

All dimensions in charts and on drawings are in inches. Dimensions shown in parentheses are in millimeters unless otherwise specified.