

Pipe Supports, Guides, Shields & Saddles

B3090 - Pipe Support with U-Bolt (TOLCO Fig. 318)

Size Range: — 3/4" (20mm) thru 36" (900mm) pipe

Material: — Steel

Function: — Designed to support horizontal pipe from floor stanchion. U-bolts and hex nuts are provided to hold pipe securely to saddle. To complete floor stanchion, use with B3088 pipe stand.

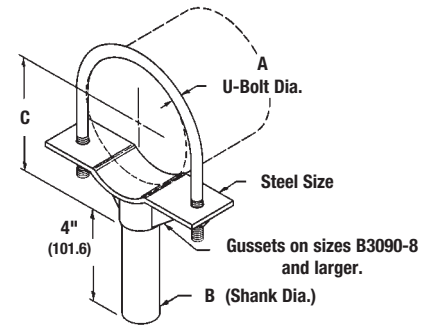
Approvals: — Conforms to Federal Specification WW-H-171E & A-A-1192A, Type 38 and Manufacturers Standardization Society ANSI/MSS SP-69 & SP-58, Type 37

Maximum Temperature: — 750°F (399°)

Finish: — Plain. Contact B-Line for alternative finishes and materials.

Order By: — Part number and finish

Note: — For vertical adjustment see Figure B3092 (pages 133 & 134)



C
Center of pipe to
bottom lip of support.

* Shank will fit into nominal
Schedule 40 pipe size 'D' of
Base Stand Figure B3088
(not included).



Part No.	Pipe Size		Max. O.D. of Pipe		Steel Size		A	
	in.	(mm)	in.	(mm)	in.	(mm)	in.	(mm)
B3090-3/4	3/4"	(20)	13/8"	(34.9)	1/4" x 1 1/2"	(6.3 x 38.1)	1/4"	(6.4)
B3090-1	1"	(25)	13/8"	(34.9)	1/4" x 1 1/2"	(6.3 x 38.1)	1/4"	(6.4)
B3090-1 1/4	1 1/4"	(32)	1 11/16"	(42.9)	1/4" x 2"	(6.3 x 50.8)	3/8"	(9.5)
B3090-1 1/2	1 1/2"	(40)	2"	(50.8)	1/4" x 2"	(6.3 x 50.8)	3/8"	(9.5)
B3090-2	2"	(50)	2 7/16"	(61.9)	1/4" x 2"	(6.3 x 50.8)	3/8"	(9.5)
B3090-2 1/2	2 1/2"	(65)	2 7/8"	(73.0)	1/4" x 3"	(6.3 x 76.2)	1/2"	(12.7)
B3090-3	3"	(80)	3 1/2"	(88.9)	1/4" x 3"	(6.3 x 76.2)	1/2"	(12.7)
B3090-3 1/2	3 1/2"	(90)	4"	(101.6)	1/4" x 3"	(6.3 x 76.2)	1/2"	(12.7)
B3090-4	4"	(100)	4 7/8"	(123.8)	3/8" x 3 1/2"	(9.5 x 88.9)	1/2"	(12.7)
B3090-5	5"	(125)	5 5/8"	(142.9)	3/8" x 3 1/2"	(9.5 x 88.9)	1/2"	(12.7)
B3090-6	6"	(150)	6 29/32"	(175.4)	1/2" x 3 1/2"	(12.7 x 88.9)	5/8"	(15.9)
B3090-8	8"	(200)	9 1/8"	(231.8)	1/2" x 3 1/2"	(12.7 x 88.9)	5/8"	(15.9)
B3090-10	10"	(250)	11 3/32"	(281.8)	1/2" x 3 1/2"	(12.7 x 88.9)	3/4"	(19.0)
B3090-12	12"	(300)	13 3/16"	(335.0)	1/2" x 3 1/2"	(12.7 x 88.9)	7/8"	(22.2)
B3090-14	14"	(350)	14"	(355.6)	5/8" x 4"	(19.0 x 101.6)	7/8"	(22.2)
B3090-16	16"	(400)	16"	(406.4)	5/8" x 4"	(19.0 x 101.6)	7/8"	(22.2)
B3090-18	18"	(450)	18"	(457.2)	3/4" x 5"	(19.0 x 127.0)	1"	(25.4)
B3090-20	20"	(500)	20"	(508.0)	3/4" x 5"	(19.0 x 127.0)	1"	(25.4)
B3090-24	24"	(600)	24"	(609.6)	1" x 5"	(25.4 x 127.0)	1"	(25.4)
B3090-30	30"	(750)	30"	(762.0)	1" x 5"	(25.4 x 127.0)	1"	(25.4)
B3090-36	36"	(900)	36"	(914.4)	1" x 5"	(25.4 x 127.0)	1"	(25.4)

Note:

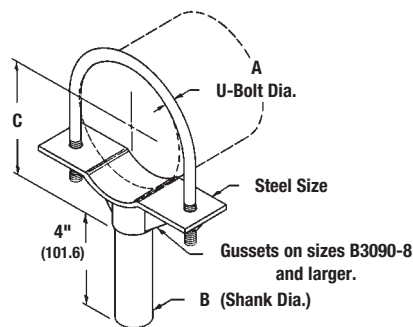
4" (100) thru 12" (300) fits both steel and ductile iron pipe.

For other ductile iron pipe sizes specify B3090DI - size.

3" (80) Ductile Iron uses B3090-3 1/2

Pipe Supports, Guides, Shields & Saddles

B3090 - Pipe Support with U-Bolt (TOLCO Fig. 318) cont.



C
Center of pipe to
bottom lip of support.

* Shank will fit into nominal
Schedule 40 pipe size 'D' of
Base Stand Figure B3088
(not included).

Note: — For vertical adjustment see Figure B3092 (pages 133 & 134)

Part No.	B		C		D *		Approx. Wt./100	
	in.	(mm)	in.	(mm)	in.	(mm)	Lbs.	(kg)
B3090-3/4	3/4"	(19.0)	2"	(50.8)	3/4"	(19)	107	(48.5)
B3090-1	3/4"	(19.0)	2 ⁵ / ₃₂ "	(54.8)	3/4"	(19)	117	(53.1)
B3090-1 ¹ / ₄	3/4"	(19.0)	2 ²¹ / ₆₄ "	(59.1)	3/4"	(19)	149	(67.6)
B3090-1 ¹ / ₂	3/4"	(19.0)	2 ¹ / ₂ "	(63.5)	3/4"	(19)	166	(75.3)
B3090-2	3/4"	(19.0)	2 ¹¹ / ₁₆ "	(68.3)	3/4"	(19)	186	(84.4)
B3090-2 ¹ / ₂	1 ⁵ / ₁₆ "	(33.3)	3 ¹ / ₈ "	(79.4)	1 ¹ / ₂ "	(40)	251	(113.8)
B3090-3	1 ⁵ / ₁₆ "	(33.3)	3 ⁷ / ₁₆ "	(87.3)	1 ¹ / ₂ "	(40)	316	(143.3)
B3090-3 ¹ / ₂	1 ⁵ / ₁₆ "	(33.3)	3 ¹¹ / ₁₆ "	(93.7)	1 ¹ / ₂ "	(40)	317	(143.8)
B3090-4	2 ³ / ₈ "	(60.3)	4 ¹ / ₁₆ "	(103.2)	2 ¹ / ₂ "	(65)	586	(265.8)
B3090-5	2 ³ / ₈ "	(60.3)	4 ¹⁷ / ₃₂ "	(115.1)	2 ¹ / ₂ "	(65)	621	(281.7)
B3090-6	2 ³ / ₈ "	(60.3)	5 ⁵ / ₁₆ "	(134.9)	2 ¹ / ₂ "	(65)	895	(406.0)
B3090-8	2 ³ / ₈ "	(60.3)	6 ³ / ₄ "	(171.4)	2 ¹ / ₂ "	(65)	1115	(505.7)
B3090-10	2 ³ / ₈ "	(60.3)	7 ¹³ / ₁₆ "	(198.4)	2 ¹ / ₂ "	(65)	1423	(645.5)
B3090-12	2 ³ / ₈ "	(60.3)	8 ¹³ / ₁₆ "	(223.8)	2 ¹ / ₂ "	(65)	1846	(837.3)
B3090-14	2 ⁷ / ₈ "	(73.0)	10 ⁹ / ₁₆ "	(268.3)	3"	(80)	2593	(1176.2)
B3090-16	2 ⁷ / ₈ "	(73.0)	11 ⁹ / ₁₆ "	(293.7)	3"	(80)	2825	(1281.4)
B3090-18	4"	(101.6)	13 ⁹ / ₁₆ "	(344.5)	4"	(100)	4843	(2196.8)
B3090-20	4"	(101.6)	14 ⁹ / ₁₆ "	(369.9)	4"	(100)	5225	(2370.0)
B3090-24	4"	(101.6)	16 ⁹ / ₁₆ "	(420.7)	4"	(100)	6970	(3161.6)
B3090-30	4"	(101.6)	20 ¹¹ / ₁₆ "	(525.5)	4"	(100)	8587	(3895.0)
B3090-36	4"	(101.6)	23 ¹¹ / ₁₆ "	(601.7)	4"	(100)	9977	(4525.5)

Note:

4" (100) thru 12" (300) fits both steel and ductile iron pipe.

For other ductile iron pipe sizes specify B3090DI - size.

3" (80) Ductile Iron uses B3090-3¹/₂

All dimensions in charts and on drawings are in inches. Dimensions shown in parentheses are in millimeters unless otherwise specified.