

MODEL 350 and 450

Double Check – Backflow Preventers 2-1/2" and 3"



Repair Kit Components		2-1/2"	2-1/2" and 3"						3"
Item #	Item Description	212-BK	RK212-350	RK212-350CK1	RK212-350CK2	RK212-350-COVERPLATE	BRK212-300-SEAT1-RTNR	BRK212-300-SEAT2-RTNR	3-BK
1	Bolt, Flange	● (x8)							● (x8)
2	Nut, Flange	● (x8)							● (x8)
3	Gasket, Flange	● (x2)							● (x2)
4	O-Ring, Cover Plate					●			
5	Cover Plate					●			
6	Bolt, Cover Plate					● (x2)			
7	Seat Retainer #1			●			● (x6)		
8	Seat Retainer #2				●			● (x6)	
9	O-Ring, Seat		● (x2)	●	●				
10	Nut, Poppet Retainer			●	●				
11	Washer, #1 Check			●					
12	Washer, #2 Check				●				
13	O-Ring, Stem		● (x2)	●	●				
14	Poppet Retainer			●	●				
15	Seal Ring		● (x2)	●	●				
16	Seat Assembly, #1 Poppet			●					
17	Seat Assembly, #2 Poppet				●				

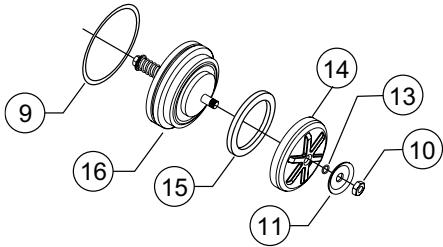
Whole Goods (Available for individual sale)			
Item #	Item Description	2-1/2"	3"
18	Gate Valve, NRS (FxF)	212-48	3-48
	Gate Valve, NRS (GxF)	212-48GXF	3-48GXF
	Gate Valve, OS&Y (FxF)	212-48OSY	3-48OSY
	Gate Valve, OS&Y (GxF)	212-48OSYGXF	3-48OSYGXF
	Butterfly Valve (GxF)	212-49GXF	3-49GXF
19	Ball Valve, FxF	12-850XL	
20	Ball Valve, MxF	12-850MXL	
21	Cover Retainer Assembly	5-23	
22	Bulkhead Fittings	BHFICXL-100	
23	Sensing Line Bulkhead Fittings	BHFIBXL-100	
24	Cover	RK212-LBF-VLV-COVER	

Item No.	Repair Kit Description
2-1/2"	
212-BK	Flanged Kit, 2-1/2"
2-1/2" and 3"	
RK212-350	Rubber Repair Kit, 2-1/2" and 3" 350 and 450
RK212-350CK1	First Check Assembly Repair Kit, 2-1/2" and 3" 350 and 450
RK212-350CK2	Second Check Assembly Repair Kit, 2-1/2" and 3" 350 and 450
RK212-350-COVERPLATE	Cover Plate Repair Kit, 2-1/2" and 3" 350 and 450
BRK212-300-SEAT1-RTNR	#1 Check Seat Retainer Bulk Kit, 2-1/2" and 3" 350 and 450
BRK212-300-SEAT2-RTNR	#2 Check Seat Retainer Bulk Kit, 2-1/2" and 3" 350 and 450
3"	
3-BK	Flanged Kit, 3"

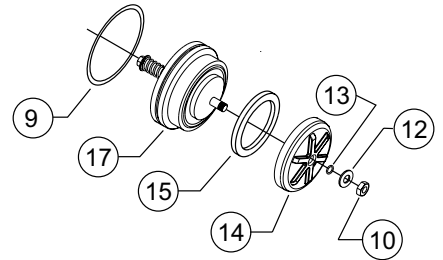
MODEL 350 and 450

Double Check – Backflow Preventers 2-1/2" and 3"

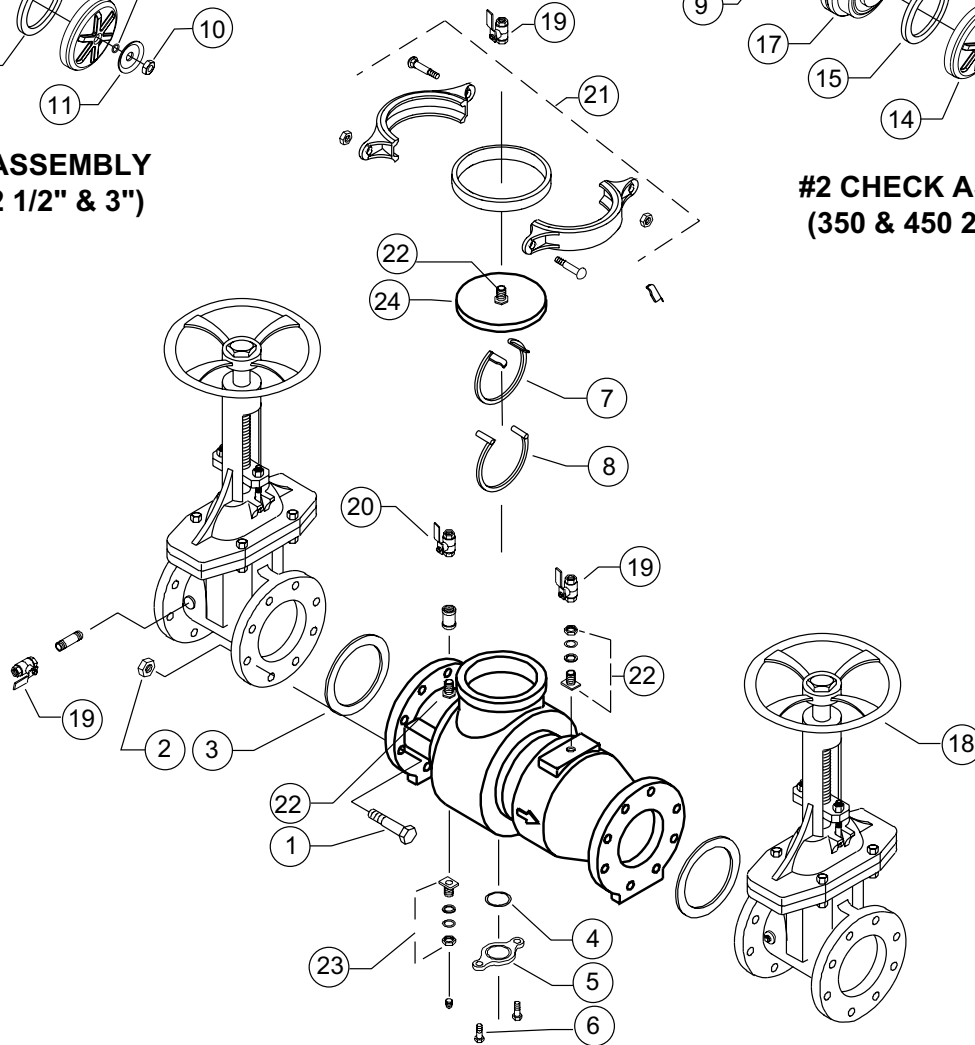
Parts Drawing



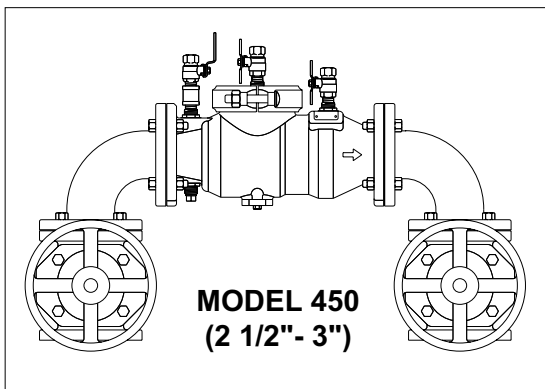
#1 CHECK ASSEMBLY
(350 & 450 2 1/2" & 3")



#2 CHECK ASSEMBLY
(350 & 450 2 1/2" & 3")



MODEL 350
(2 1/2" - 3")



MODEL 450
(2 1/2" - 3")