

## Electri-Flex™ MD (Medium Duty) Commercial Electric Water Heater



Photo is of  
E32-50S-3

### The Electri-Flex™ MD Electric Models Feature:

- **Fully Automatic Controls**—Fast acting surface-mount thermostat for automatic temperature control. Factory installed sensitive manual reset energy cut-off for safety to prevent overheating. (Maximum thermostat setting is 185°F.)
- **Direct Heat Transfer With Three Immersed Incoloy Elements**—Transfers heat directly and efficiently to the water. Screw-in style element.
- **Factory Installed Hydrojet® Sediment Reduction System**—Cold water inlet sediment reducing device helps prevent sediment build up in the tank.
- **Vitraglas® Lining**—Bradford White tanks are lined with an exclusively engineered enamel formula that provides superior tank protection from the highly corrosive effects of hot water. This formula (Vitraglas®) is fused to the steel surface by firing at a temperature of over 1600°F (871°C).
- **2" Non-CFC Foam Insulation**—Covers the side and top of tank, reducing the amount of heat loss. This results in less energy consumption, improved operation efficiencies and jacket rigidity.
- **Water Connections**—1¼" NPT factory installed true dielectric fittings extend water heater life and eases installation.
- **Conversion Kits**—Design certified by ETL for field conversion. Conversion kits are available to convert any one model to a variety of voltages, kW inputs and phase. (kit part numbers on reverse side.)
- **Protective Magnesium Anode Rod**—Provides added protection against corrosion for long trouble-free service.
- **Steel Tank**—Heavy gauge steel automatically formed, rolled and welded.
- **T&P Relief Valve**—Supplied.
- **Low Restriction Brass Drain Valve**—Durable tamper proof design.



### 3 or 5-Year Limited Tank Warranties / 1-Year Limited Warranty on Component Parts.

For more information on warranty, please visit [www.bradfordwhite.com](http://www.bradfordwhite.com)

For products installed in USA, Canada and Puerto Rico. Some states do not allow limitations on warranties. See complete copy of the warranty included with the heater.

MANUFACTURED UNDER ONE OR MORE OF THE FOLLOWING U.S. PATENTS: 5,682,666; 7,634,976; 5,660,165; 5,954,492; 6,056,542; 6,935,280; 5,372,185; 5,485,879; 5,574,822; 7,971,560; 7,992,526; 6,684,821; 6,442,178; 7,334,419; 7,866,168; 7,270,087; 7,007,748; 5,596,952; 6,142,216; 7,699,026; 5,341,770; 7,337,517; 7,665,211; 7,665,210; 7,063,132; 7,063,133; 7,559,293; 7,900,589; 5,943,984; 8,082,888; 5,988,117; 7,621,238; 7,650,859; 5,761,379; 7,409,925; 5,277,171; 8,146,772; 7,458,341; 2,262,174. OTHER U.S. AND FOREIGN PATENT APPLICATIONS PENDING. CURRENT CANADIAN PATENTS: 2,314,845; 2,504,824; 2,108,186; 2,143,031; 2,409,271; 2,548,958; 2,112,515; 2,476,685; 2,239,007; 2,092,105; 2,107,012. Vitraglas® and Hydrojet® are registered trademarks of Bradford White® Corporation.

# Commercial Electric Water Heater

## Electri-Flex™ MD Electric Models

Meet or exceed ASHRAE 90.1b (current standard) C.E.C. Listed

Model Number	Capacity		Recovery 100°F Rise		A Floor to Heater Top	B Jacket Dia.	C Floor to Water Conn.	D Floor to T&P Conn.	E Floor to Control Box	F Control Box to Back of Heater	Approx. Shipping Weight
	U.S. Gal.	Imp. Gal.	U.S.* GPH	Imp.* GPH	in.	in.	in.	in.	in.	in.	lbs.
E32-50S-3	50	42	74	62	46 <sup>1</sup> / <sub>2</sub>	22	47 <sup>1</sup> / <sub>2</sub>	47 <sup>5</sup> / <sub>8</sub>	44 <sup>7</sup> / <sub>8</sub>	24 <sup>5</sup> / <sub>8</sub>	137
E32-80R-3	80	67	74	62	59	24	60	60 <sup>1</sup> / <sub>8</sub>	57 <sup>3</sup> / <sub>8</sub>	26 <sup>3</sup> / <sub>4</sub>	190
E32-120R-3	119	99	74	62	63	28 <sup>1</sup> / <sub>4</sub>	64	64 <sup>1</sup> / <sub>8</sub>	61 <sup>3</sup> / <sub>8</sub>	30 <sup>7</sup> / <sub>8</sub>	312

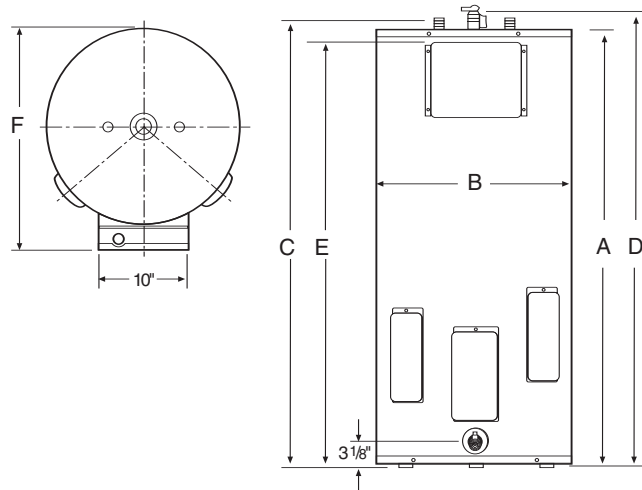
Model Number	Capacity		Recovery 56°C Rise	A Floor to Heater Top	B Jacket Dia.	C Floor to Water Conn.	D Floor to T&P Conn.	E Floor to Control Box	F Control Box to Back of Heater	Approx. Shipping Weight
	Liters	Liters/* Hour	Liters/* Hour	mm.	mm.	mm.	mm.	mm.	mm.	kg.
E32-50S-3	189	280	280	1181	559	1207	1210	1140	625	62
E32-80R-3	303	280	280	1499	610	1524	1527	1457	679	86
E32-120R-3	450	280	280	1600	730	1626	1629	1568	784	142

All models are wired 240V, 3-phase, 18kW. Other voltages, wattages and kW are available and must be specified when ordering.

For 5 year models, change suffix "3" to "5".

\*Based on 18kW operation.

NSF Construction available.



### Conversion Kit Table

Required Total Heater kW	Each Element Wattage	Kit Part Numbers		
		208V	240V	480V
6	2000	265-43942-13	265-43942-07	265-43942-01
9	3000	265-43942-14	265-43942-08	265-43942-02
12	4000	265-43942-15	265-43942-09	265-43942-03
13.5	4500	265-43942-16	265-43942-10	265-43942-04
15	5000	265-43942-17	265-43942-11	265-43942-05
18	6000	265-43942-18*	265-43942-12	265-43942-06

\*265-43942-18 will require control box replacement (included in kit). Other wattages, wiring phase and kW are available and must be specified when ordering. 277 volt cannot be ordered as 3 phase operation.

### Full Load Amperes - (Single Phase / Three Phase) and Recovery at °F Rise

Input kW	208V	240V	277V	380V	415V	480V	40°F	100°F	140°F
6	28.8/16.7	25.0/14.4	21.7	9.1	8.3	12.5/7.2	62	25	18
9	43.2/25.0	37.5/21.7	32.5	13.7	12.5	18.8/10.8	93	37	27
12	57.7/33.3	50.0/28.9	43.3	18.2	16.7	25.0/14.4	124	50	35
13.5	64.9/37.5	56.3/32.5	48.7	20.5	18.8	28.1/16.2	139	56	40
15	72.1/41.6	62.5/36.1	54.2	22.8	20.9	31.3/18.0	155	62	44
18	86.5/50.0	75.0/43.3	65.0	27.3	25.0	37.5/21.7	186	74	53

### Sample Specification

Water heater shall be a Bradford White model with a rated storage capacity of not less than \_\_\_\_\_ gallons/liters, a minimum kW input of \_\_\_\_\_, and a minimum recovery of \_\_\_\_\_ GPH/LPH at 100°F (56°C) temperature rise. It shall be designed certified either with or without a separate storage tank. The tank shall be lined with Vitraglas® vitreous enamel. The tank should consist of three screw type elements with a combined maximum input of 18 kW. The tank shall have one magnesium anode rod. The units should be design certified by ETL for field conversions with specific kits available from the factory. The heater shall be insulated with not less than 2" (51mm) of Non-CFC foam. This water heater shall be equipped with an ASME rated T&P relief valve. The entire installation shall be made in compliance with state and local codes and ordinances.

### General

All models ETL listed.

All potable water connections are 1/4" NPT (25mm) on 8" (203mm) centers.

All electrical connections are 3/4" (19mm) NPT.

All models certified at 300 psi test pressure (2068 kPa) and 150 psi working pressure (1034 kPa).

*Dimensions and specifications subject to change without notice in accordance with our policy of continuous product improvement.*



For U.S. and Canada field service, contact your professional installer or local Bradford White sales representative.

Sales 800-523-2931 • Fax 215-641-1670 / Technical Support 800-334-3393 • Fax 269-795-1089 • Warranty 800-531-2111 • Fax 269-795-1089

International: Telephone 215-641-9400 • Telefax 215-641-9750 / [www.bradfordwhite.com](http://www.bradfordwhite.com)

**BRADFORD WHITE-CANADA** INC. Sales / Technical Support 866-690-0961 / 905-238-0100 • Fax 905-238-0105 / [www.bradfordwhite.com](http://www.bradfordwhite.com)

## Built to be the Best™

©2015, Bradford White Corporation. All rights reserved.