



COMMERCIAL ELECTRIC REPLACEMENT PARTS LIST

Light Duty Three Element (E32) Models

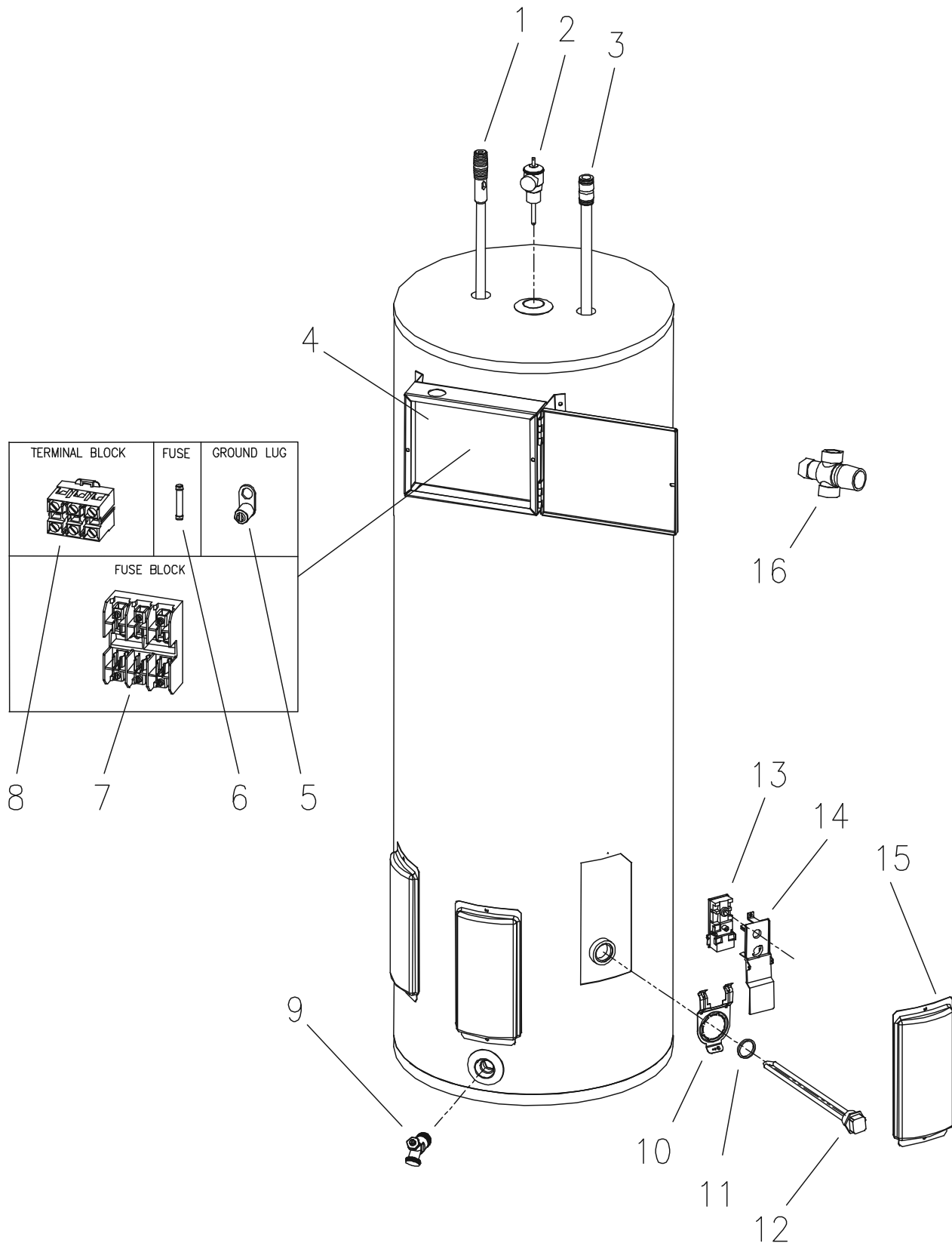


Includes Hydrojet®
Total Performance System

Effective: April, 2012
ECO 7496

**NOTE: BOTH MODEL AND SERIAL
NUMBERS ARE REQUIRED FOR
ORDERING REPLACEMENT PARTS**

Dimensions and specifications
subject to change without notice.



Item	Description	Model	Model	Model
		E32-50S*	E32-80R*	E32-120R*
1	Hot water outlet/Anode (magnesium)	224-47781-02	224-47781-04	224-47781-04
2	T&P Relief valve	230-40594-02	230-40594-02	230-40594-02
3	Cold water Inlet Dip tube (Hydrojet)	229-47303-02	229-47303-03	229-47303-03
4	Control Box with Cover	239-43888-00	239-43888-00	239-43888-00
5	Ground Lug	264-32251-00	264-32251-00	264-32251-00
6	Top Fuse 30 Amp	264-44364-00	264-44364-00	264-44364-00
	Bottom Fuse 40 Amp**	264-32267-00	264-32267-00	264-32267-00
7	Fuse Block	264-44365-00	264-44365-00	264-44365-00
	Fuse Block**	264-32264-00	264-32264-00	264-32264-00
8	Terminal Block	239-43890-00	239-43890-00	239-43890-00
9	Brass Drain Valve	265-42351-02	265-42351-02	265-42351-02
10	Thermostat Bracket	239-44479-00	239-44479-00	239-44479-00
11	Element Gasket	223-34019-00	223-34019-00	223-34019-00
12	Incoloy Heating Element	SEE PAGE 4	SEE PAGE 4	SEE PAGE 4
13	Thermostat	265-46282-00	265-46282-00	265-46282-00
14	Thermostat Protector	223-40399-00	223-40399-00	223-40399-00
15	Access Cover	243-36618-02	243-36618-02	243-36618-02
16	Tempering Valve (optional)	239-43740-01	239-43740-01	239-43740-01

*Applies to all warranties

** Parts unique to all 18 KW, 208 Volt, Single Phase Models

Total Heater KW	Element Wattage	Item 12, Incoloy Heating Element		
		208 Volts	240 Volts	480 Volts
6	2000	265-42545-14	265-42545-02	220-42553-01
9	3000	265-42545-12	265-42545-15	220-42553-08
12	4000	265-42545-09	265-42545-12	220-42553-03
13.5	4500	265-42545-10	265-42545-07	220-42553-04
15	5000	220-42543-01	265-42545-08	220-42553-05
18	6000	220-42543-03	265-42545-10	220-42553-07

1. Obtain total heater KW and Voltage from heater rating plate.
2. Locate total heater KW from table above that matches total heater KW.
3. Move across the table (to the right) to heating element matching the required voltage.

AVAILABLE CONVERSION KITS

Total Heater KW	Element Wattage	Conversion Kits		
		208 Volts	240 Volts	480 Volts
6	2000	265-43942-13	265-43942-07	265-43942-01
9	3000	265-43942-14	265-43942-08	265-43942-02
12	4000	265-43942-15	265-43942-09	265-43942-03
13.5	4500	265-43942-16	265-43942-10	265-43942-04
15	5000	265-43942-17	265-43942-11	265-43942-05
18	6000	265-43942-18	265-43942-12	265-43942-06

1. Locate total heater KW as required.
2. Move across the table (to the right) to conversion kit matching the required voltage.



BRADFORD WHITE®

W A T E R H E A T E R S

Ambler, PA

For U.S. and Canada field service,
contact your professional installer or
local Bradford White sales representative.

Sales/800-523-2931
Fax/215-641-1670
Parts Fax/215-641-2180

Technical Support/800-334-3393
Fax/269-795-1089

Warranty/800-531-2111
Fax/269-795-1089

International:
Telephone/215-641-9400
Telefax/215-641-9750



BRADFORD WHITE-CANADA® INC.

Mississauga, ON

Sales/866-690-0961
905-238-0100

Fax/905-238-0105

Technical Support/800-334-3393

Email

parts@bradfordwhite.com
techserv@bradfordwhite.com

www.bradfordwhite.com