

### Inline Heater

Inline water heating systems are available for Designer Collection soakers, whirlpools and air bath packages. These systems use electricity to maintain bath water heat, not to heat cold water. The thermostat for these systems is pre-set by the manufacturer to maintain bath water temperature at 104° F, so the bather can enjoy his / her bath longer.

### For Whirlpools

The inline heating system for whirlpools is activated when the pump is turned on, maintaining the temperature of the bath water. No external switch is needed. 2 different heaters are used:

- A 1500-watt inline heater is available for Designer Collection baths. The 1500-watt heater draws 12 amps; so a separate 15 amp, 110 VAC circuit is required. This circuit must be connected to a supply that is protected by a ground fault circuit interrupter (GFCI).

For Air Massage with Ultra Whirlpool and Air Elite with Ultra Whirlpool packages, a 650-watt heater is used which draws 5.4 amps and must be connected to a GFCI-protected supply.

*NOTE: Inline Heaters are not sold separately.*

**Inline Heater -**  
For whirlpools (HTI) **\$495**

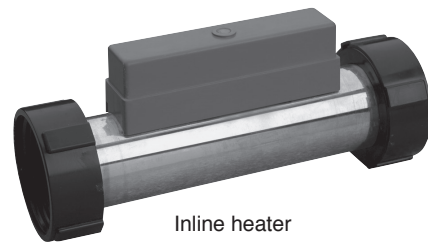
### For Soakers, Air Baths and Stream Bath

The inline heating system for soaking tubs and air baths is manually activated by an On / Off switch. This system gently recirculates the bath water through the inline heater, with negligible disturbance to the water. This system uses the 1500-watt inline heater described above and a 1/2 hp recirculating pump. This system draws 17.5 amps; so a separate 20 amp, 110VAC circuit is required. Not available for freestanding tubs.

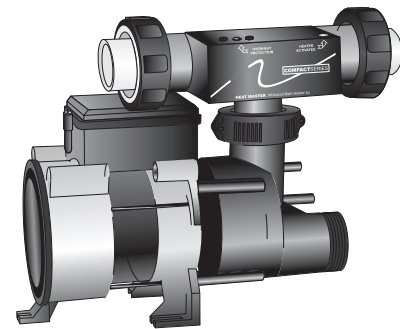
May be added to some standard whirlpools - call MTI for details.

*NOTE: Inline Heaters are not sold separately.*

**Inline Heater with Recirculating Pump -**  
For soakers, air baths and Stream Bath (HTISOAK) **\$695**



Inline heater



Inline heater connected to the standard pump



For soakers and air baths, the water is drawn in through an intake such as the one shown, flows through the inline heater and is reintroduced into the bath through an output that has the same appearance.