



**Dearborn<sup>®</sup>  
Brass**

4675 W. 160th St.  
Cleveland, Ohio 44135  
Ph: (800) 321-9532  
Fax: (800) 321-9535  
www.dearbornbrass.com

## Schedule 40 Full Kits with Overflow Test System

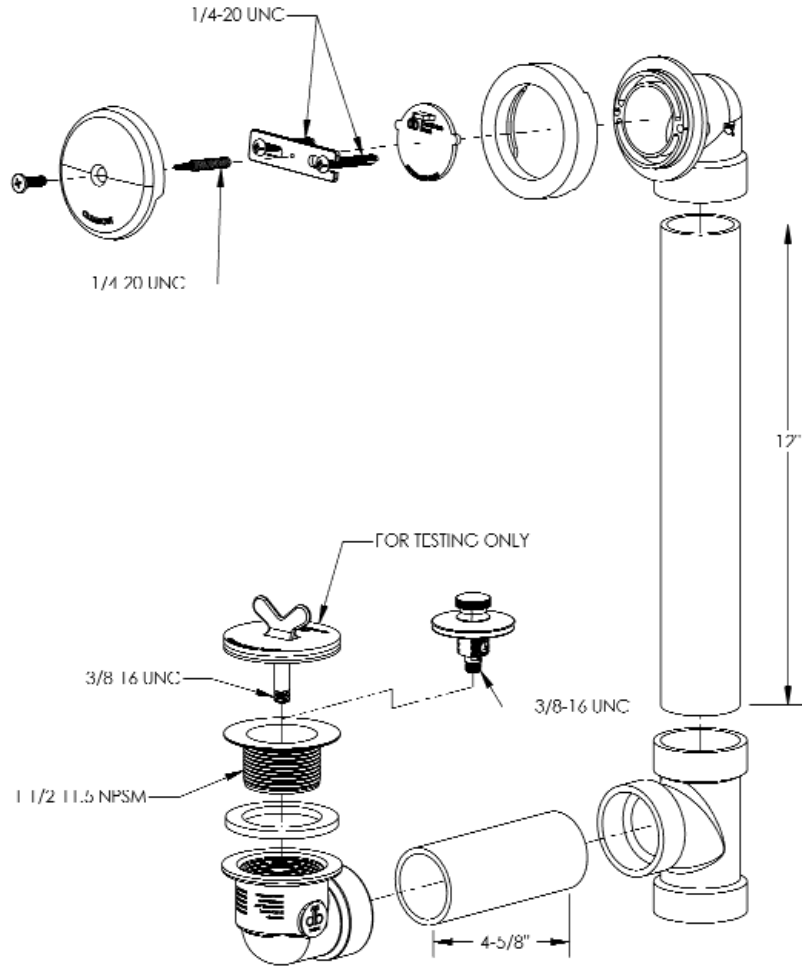
### SUBMITTAL SPECIFICATION

**Engineering Specification:** Manufactured to strict industry standards, Schedule 40 Full Kits in PVC or ABS Plastic  
1-1/2" Brass Drain Spud. Various stopper styles available.

Job Reference



Data is subject to manufacturing tolerances.



Visit [www.dearbornbrass.com](http://www.dearbornbrass.com) for updates.

✓	Prod. No	Description
	P7224	FULL KIT, SCHEDULE 40- PVC TOUCH TOE STOPPER W/CHROME FINISH
	A7224	FULL KIT, SCHEDULE 40- ABS TOUCH TOE STOPPER W/CHROME FINISH
	P7225	FULL KIT, SCHEDULE 40- PVC UNI-LIFT STOPPER W/CHROME FINISH
	A7225	FULL KIT, SCHEDULE 40- ABS UNI-LIFT STOPPER W/CHROME FINISH

A=ABS, P=PVC