

# NS/PSPNZ Nail Stoppers

Nail stoppers help prevent nails from piercing pipes and electrical lines. Installed over utilities that pass through framing members.

PSPN516Z and PSPN58Z protecting shield plate nail stoppers meet IRC, IBC and the International Plumbing Code. PSPN516Z meets structural and protection requirements with one strap.

**MATERIAL:** 16 gauge

**FINISH:** Galvanized, PSPN-ZMAX® coating, see Corrosion Information, page 14-15.

**INSTALLATION:** • PSPN516Z – 16d commons (see footnote 2 below).

- Other models – 8d commons or prongs. For more information request flier F-REPRPROTECT (see page 229 for details).

**CODES:** See page 13 for Code Reference Key Chart.

PSPN516Z (16 gauge ZMAX) at top plates

- International Residential Code® – 2009/2012 P2603.2.1 & R602.6.1
- International Building Code® – 2009/2012 2308.9.8
- International Plumbing Code – 2009-305.8 / 2012-305.6

PSPN516Z (16 gauge ZMAX) at bottom plate.

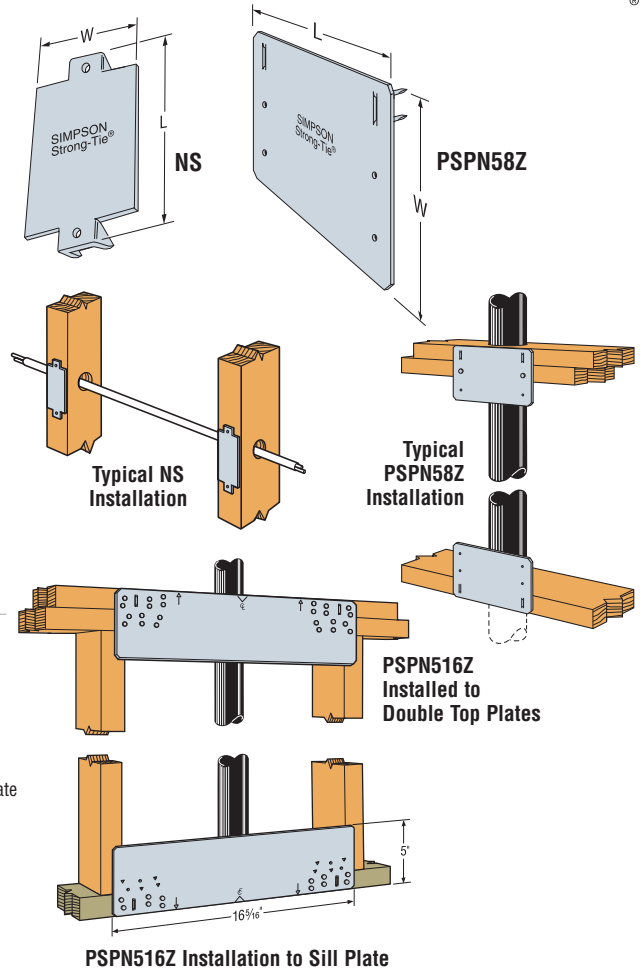
- International Building Code® – 2009/2012 2308.9.8
- International Plumbing Code – 2009-305.8 / 2012-305.6

PSPN58Z (16 gauge ZMAX) at top plates and bottom plate.

- International Plumbing Code – 2009-305.8 / 2012-305.6
- International Residential Code® – 2009/2012 P2603.2.1

NS1 – Nail stops to protect supply lines from drywall nails or screws.

- International Residential Code® – 2009/2012 Table E3702.1
- National Electric Code – 2008/2011 300.4



These products are available with additional corrosion protection. Additional products on this page may also be available with this option, check with Simpson Strong-Tie for details.

These products are approved for installation with the Strong-Drive SD Structural-Connector screw. See page 27 for more information.

Model No.	W	L	Code Ref.
NS1	1½	3	190
NS2	1½	6	
PSPN58Z	5	8	
PSPN516Z	5	16½ <sub>16</sub>	

1. PSPN516Z—12-16d nails into sill plate achieves 1365 lbs. for DF/SP, and 1180 lbs. for SPF/HF. 24-16d nails into top plates achieves 1820 lbs. for DF/SP, and 1575 lbs. for SPF/HF.

2. To meet the prescriptive IRC requirement 16d box nails (0.135" dia. x 3½") may be used.

3. **NAILS:** 16d = 0.162" dia. x 3½" long, 8d = 0.131" dia. x 2½" long. See page 22-23 for other nail sizes and information.

# CTS218 Compression and Tension Straps

The CTS218 is designed to repair wood members such as top plates, studs and trusses and is our first strap that handles both tension and compression loads. The unique rolled edges of the strap allow it to span gaps as wide as 4½" and its 1½" width enables installation on the narrow face of 2x lumber.

- Tested specifically for top/bottom plate repair with various multi-strap configurations
- Meets the requirements of the IBC and IRC for repairing top plates that have been cut or notched to accommodate plumbing or HVAC ductwork

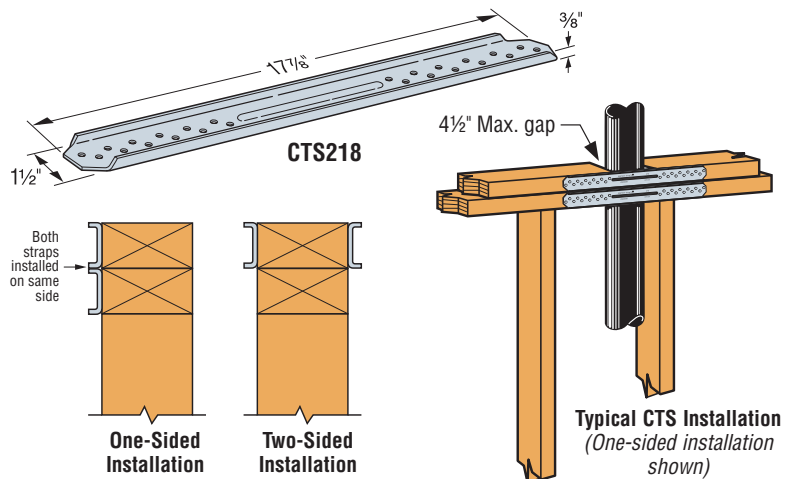
**MATERIAL:** 14 gauge **FINISH:** Galvanized

**INSTALLATION:** • Use all specified fasteners. See General Notes.

- **One-sided installations** – install one or two CTS straps on the same side of the member.
- **Two-sided installation** – install CTS straps on opposite sides of member. For three-part installations, install two parts on one side, one part on opposite side.

**CODES:** See page 13 for Code Reference Key Chart.

- International Building Code® – 2009/2012 2308.9.8



Model No.	Strap Qty.	Installation	Fasteners (Per Strap)	Allowable Loads DF/SP		Allowable Loads SPF/HF		Code Ref.
				Compression (160)	Tension (160)	Compression (160)	Tension (160)	
CTS218	1	One Sided	24 - 10d x 1½"	1020	2270	880	1970	F24, I4, L3
	2	One Sided		2045	4540	1760	3940	
	2	Two Sided		2370	4540	2040	3940	
	3	Two Sided		3725	6810	3205	5910	
	4	Two Sided	4740	9080	4080	7880		
	1	One Sided	24 - SD #9 x 1½"	1175	2480	1010	2150	
	2	One Sided		2350	4960	2020	4300	
	2	Two Sided		2735	4960	2350	4300	
3	Two Sided	4130		7440	3550	6450		
	4	Two Sided	5470	9920	4700	8600		

These products are approved for installation with the Strong-Drive SD Structural-Connector screw. See page 27 for more information.

1. Allowable loads have been increased for wind or seismic with no further increase allowed. Reduce where other loads govern.
2. Fastener quantities are for a single strap.
3. Maximum gap between wood members is 4½".
4. **FASTENERS:** 10d x 1½" = 0.148" dia. x 1½", SD #9 x 1½" = 0.131" dia. x 1½" long. See page 22-23 for other nail sizes and information.