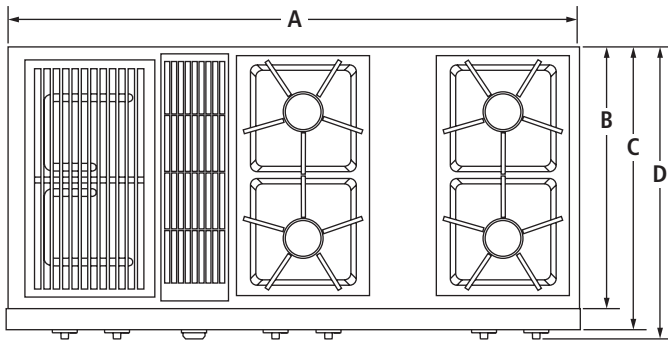


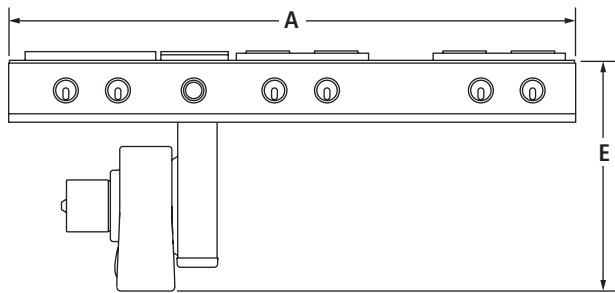
48" PRO-STYLE® MODULAR DOWNDRAFT RANGETOP

JGD8348CDP – 46<sup>7</sup>/<sub>8</sub>" x 15<sup>7</sup>/<sub>8</sub>" x 26<sup>1</sup>/<sub>4</sub>"

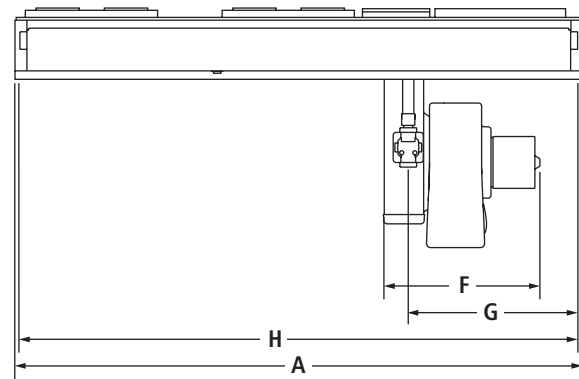
PRODUCT DIMENSIONS



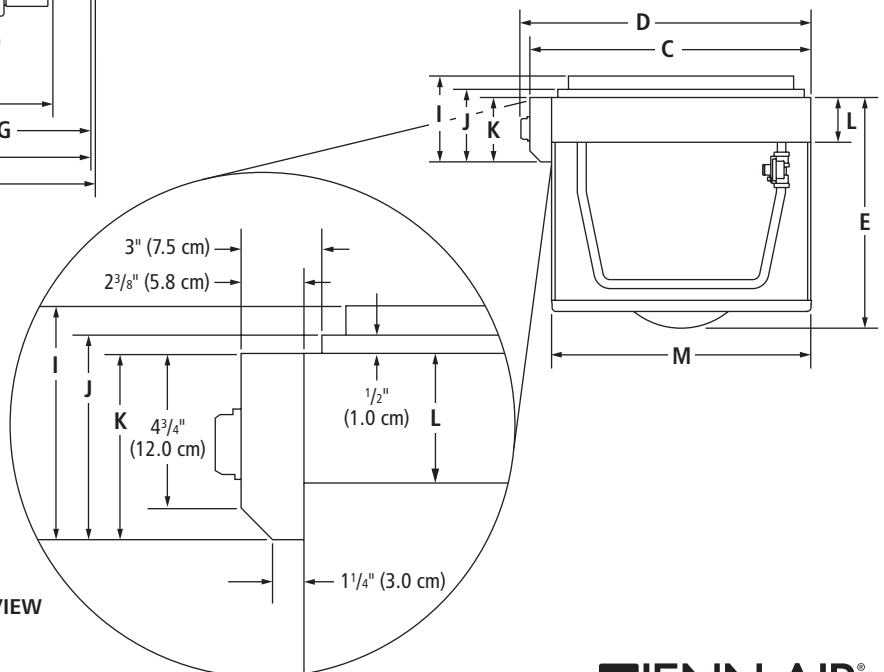
TOP VIEW



FRONT VIEW



BACK VIEW



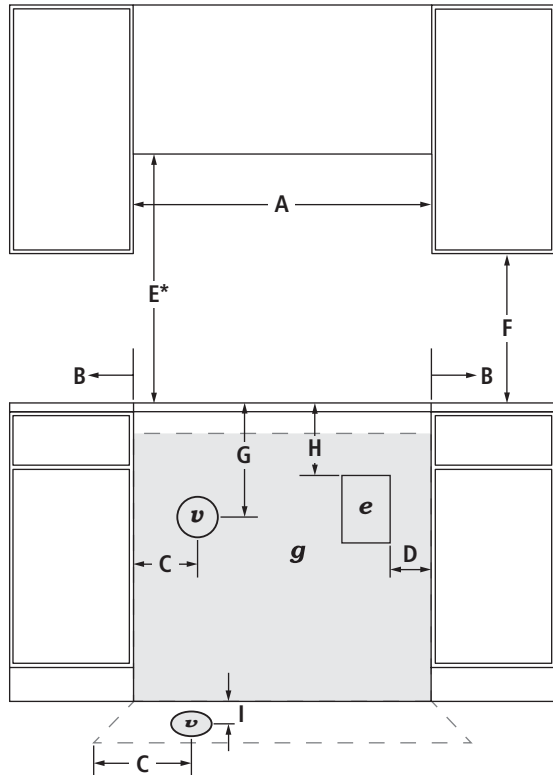
SIDE VIEW

MODEL #		JGD8348CDP	
		in	cm
<b>A</b>	Overall width	46 <sup>7</sup> / <sub>8</sub>	118.9
<b>B</b>	Depth without control panel	21 <sup>5</sup> / <sub>8</sub>	54.8
<b>C</b>	Depth with control panel	24 <sup>5</sup> / <sub>8</sub>	62.4
<b>D</b>	Depth with knobs	26 <sup>1</sup> / <sub>4</sub>	66.5
<b>E</b>	Height from blower motor to countertop	15 <sup>7</sup> / <sub>8</sub>	40.2
<b>F</b>	Width of blower motor assembly	12 <sup>1</sup> / <sub>2</sub>	31.8
<b>G</b>	Width from center of gas inlet to recessed rangetop	15	38.0
<b>H</b>	Width of recessed rangetop	45 <sup>3</sup> / <sub>4</sub>	116.2
<b>I</b>	Height including grates/griddle	7 <sup>1</sup> / <sub>8</sub>	18.1
<b>J</b>	Height of control panel and cooking surface	6 <sup>1</sup> / <sub>4</sub>	15.6
<b>K</b>	Height of control panel	5 <sup>3</sup> / <sub>4</sub>	14.6
<b>L</b>	Height of recessed rangetop	3 <sup>3</sup> / <sub>8</sub>	8.4
<b>M</b>	Depth of recessed rangetop	22	55.8

48" PRO-STYLE® MODULAR DOWNDRAFT RANGETOP

JGD8348CDP – 46<sup>7</sup>/<sub>8</sub>" x 15<sup>7</sup>/<sub>8</sub>" x 26<sup>1</sup>/<sub>4</sub>"

OPENING/CLEARANCE DIMENSIONS



FRONT VIEW

MODEL #		JGD8348CDP	
		in	cm
A	Width of combustable area above cooking surface (min.)	46 <sup>7</sup> / <sub>8</sub>	118.9
B	Width from grill to fixed wall or other combustable material (min.)	8	20.3
C	Width to center of vent opening option	9 <sup>3</sup> / <sub>8</sub>	23.8
D	Recommended width to outer edge of outlet	10	25.4
E*	Height to bottom of uncovered wood or metal cabinet above cooking surface (min.)	30	76.2
F	Height to bottom of uncovered wood or metal cabinet (min.)	18	45.7
G	Height to center of vent opening option	13	33.0
H	Recommended height to top edge of outlet	12	30.5
I	Depth to center of vent opening option	13 <sup>1</sup> / <sub>2</sub>	34.1
J	Depth of upper cabinet (recommended)	13	33.0
K	Depth from cutout to wall (min.)	1 <sup>3</sup> / <sub>4</sub>	4.4
L	Depth of cabinet	24	61.0
M**	Height of cutout (min.-max.)	5 <sup>3</sup> / <sub>4</sub> -9	14.6-22.9
N	Width of cutout (countertop and cabinet)	45 <sup>3</sup> / <sub>4</sub>	116.2
O	Width of notch	1/2	1.4
P	Width of cutout (countertop only)	46 <sup>7</sup> / <sub>8</sub>	118.9
Q	Depth of cutout (countertop and cabinet)	22	55.9
R	Depth of cutout (countertop only)	23	58.6
e	Recommended electrical access location		
g	Recommended gas supply line location		
v	Recommended venting location – see page 4 for ducting information		

\*Dimension can be reduced by 6" (15.2 cm) when bottom of wood or metal cabinet is covered by not less than 1/4" (0.6 cm) flame retardant millboard covered with not less than No. 28 MSG sheet metal, 0.015" (0.4 mm) stainless steel, 0.024" (0.6 mm) aluminum or 0.020" (0.5 mm) copper.

\*\*Installation of the supplied lower control panel is required if cutout exceeds 5<sup>3</sup>/<sub>4</sub>" (14.6 cm).

**GAS REQUIREMENTS**

**Natural Gas**

This rangetop is factory-set for use with natural gas.

**LP Gas Conversion**

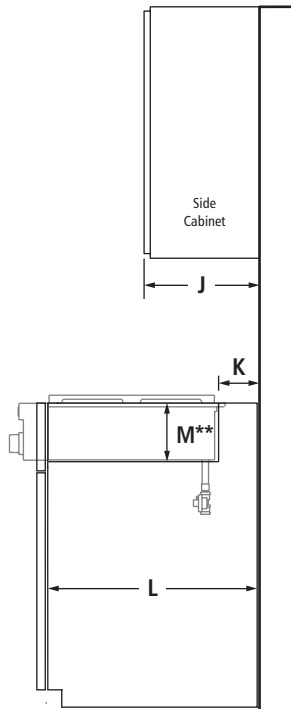
Conversion must be done by a qualified service technician. To convert to LP gas, use the LP gas conversion kit provided with the rangetop.

**ELECTRICAL REQUIREMENTS**

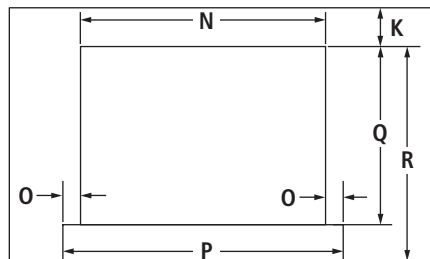
120 volt, 60 Hz, AC only, 15-amp fused, grounded circuit is required. Minimum power cord length is 42" (106.7 cm).

**LOCATION REQUIREMENTS**

- A minimum clearance of 2" (5.1 cm) is recommended between the blower motor and cabinet for proper cooling. A 6" (15.2 cm) clearance is recommended for servicing access.
- For removal of the supplied grease container, a minimum clearance of 6<sup>1</sup>/<sub>4</sub>" (15.9 cm) is required.



SIDE VIEW



TOP VIEW – CUTOUT



# JENN-AIR® DETAILED PLANNING DIMENSIONS

## VENTILATION SELECTION CHART – RANGETOPS AND RANGES

MODEL #	PRO-STYLE™ HOODS			EURO-STYLE ISLAND-MOUNT HOODS		EURO-STYLE WALL-MOUNT HOODS		GLASS COLLECTION ISLAND-MOUNT HOOD	GLASS COLLECTION WALL-MOUNT HOODS		PERIMETRIC HOOD	OILED BRONZE WALL-MOUNT HOODS		EURO-STYLE TELESCOPING DOWNDRAFT SYSTEMS	CUSTOM HOOD LINERS		OVER-THE-RANGE MICROWAVE OVENS
	JXW9048WP	JXW9036WP JXU9136WP	JXW9030WP JXU9130WP	JXI8042WS	JXI8036WS	JXW8036WS JXW8836WS	JXW8030WS	JXI5036WS	JXW5036WS	JXW5030WS	JXP5032WS	JXW6036WR	JXW6030WR	JXD7036YS JXD7030YS	1200 or 600 CFMA	600 CFMB	JMV9186W JMV8208W
<b>PRO-STYLE® RANGETOPS</b>																	
<b>48-INCH (more than 60,000 BTU total)</b>																	
JGCP548WP – 6 Burners & Griddle	★	—	—	—	—	—	—	—	—	—	—	—	—	—	★	—	—
<b>36-INCH (less than 60,000 BTU total)</b>																	
JGCP536WP – 4 Burners & Griddle	★	★	—	■	■	■	—	■	■	—	■	■	—	—	★	★	—
<b>36-INCH (more than 60,000 BTU total)</b>																	
JGCP436WP – 6 Burners	★	★	—	—	—	—	—	—	—	—	—	—	—	—	★	—	—
<b>30-INCH (less than 60,000 BTU total)</b>																	
JGCP430WP – 4 Burners	■	★	★	■	■	■	■	■	■	■	■	■	■	—	★	★	—
<b>48-INCH (less than 60,000 BTU total)</b>																	
JGD8348CDP – 4 Burners & Grill Assembly	—	—	—	—	—	—	—	—	—	—	—	—	—	—	★	—	—
<b>PRO-STYLE® DUAL-FUEL AND GAS RANGES</b>																	
<b>48-INCH (more than 60,000 BTU total)</b>																	
JDRP548WP – 6 Burners & Griddle	★	—	—	—	—	—	—	—	—	—	—	—	—	—	★	—	—
JGRP548WP – 6 Burners & Griddle	★	—	—	—	—	—	—	—	—	—	—	—	—	—	★	—	—
<b>36-INCH (less than 60,000 BTU total)</b>																	
JDRP536WP – 4 Burners & Griddle	★	★	—	■	■	■	—	■	■	—	■	■	—	—	★	★	—
JGRP536WP – 4 Burners & Griddle	★	★	—	■	■	■	—	■	■	—	■	■	—	—	★	★	—
<b>36-INCH (more than 60,000 BTU total)</b>																	
JDRP436WP – 6 Burners	★	★	—	—	—	—	—	—	—	—	—	—	—	—	★	—	—
JGRP436WP – 6 Burners	★	★	—	—	—	—	—	—	—	—	—	—	—	—	★	—	—
<b>30-INCH (less than 60,000 BTU total)</b>																	
JDRP430WP – 4 Burners	—	★	★	—	■	■	■	■	■	■	■	■	■	—	★	★	—
JGRP430WP – 4 Burners	—	★	★	—	■	■	■	■	■	■	■	■	■	—	★	★	—
<b>SLIDE-IN RANGES</b>																	
<b>Dual-Fuel and Gas Conventional (less than 60,000 BTU total)</b>																	
JDS886BDP – 4 Burners	■	★	★	■	★	★	★	★	★	★	★	■	■	—	★	★	■
JDS8850CD – 4 Burners	■	■	■	■	★	★	★	★	★	★	★	■	■	—	★	★	■
JGS8860BDP – 4 Burners	■	★	★	■	★	★	★	★	★	★	★	■	■	—	★	★	■
JGS8850CD – 4 Burners	■	■	■	■	★	★	★	★	★	★	★	★	★	—	★	★	■
<b>ELECTRIC CONVENTIONAL</b>																	
JES8850CA – 5 Elements	■	■	■	■	★	★	★	★	★	★	★	■	■	—	★	★	■

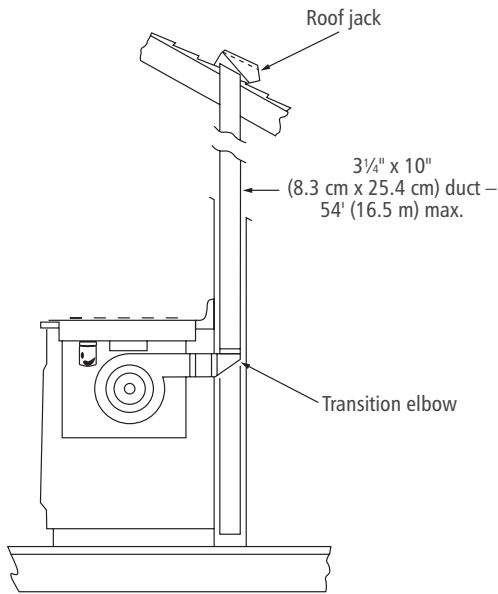
A. Custom hood liners can be used with any of the following blower motors: UXB1200DYS, UXB0600DYS, UXI1200DYS or UXI0600DYS.  
 B. Blower motor UXB0600DYS is rated for up to 65,000 BTUs and can be used with the rangetops and ranges indicated.

KEY	
★	Style and Performance Pair
■	Performance Pair
—	Not Recommended

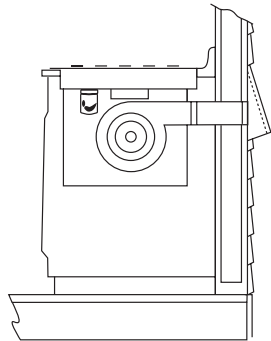


DOWNDRAFT COOKTOP DUCTING ARRANGEMENTS

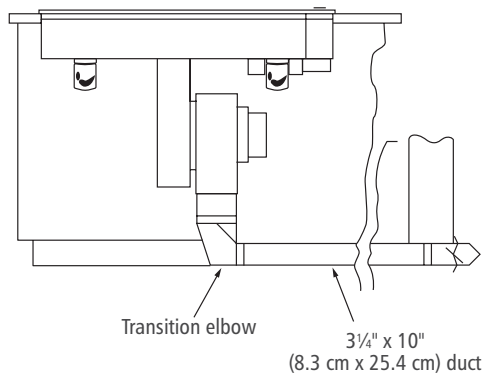
DUCTING CONFIGURATIONS



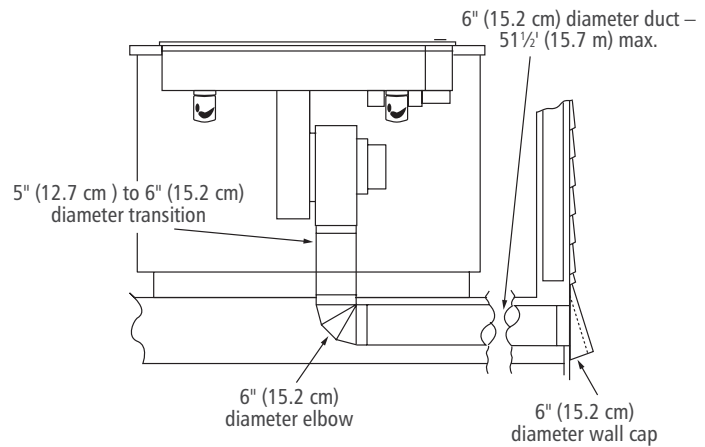
REAR DUCTING IN WALL TO ROOF



REAR DUCTING THROUGH WALL TO OUTSIDE



SIDE DUCTING IN TOE KICK TO OUTSIDE



THROUGH FLOOR BETWEEN JOISTS TO OUTSIDE

DUCTING REQUIREMENTS

COOKTOP	DUCT LENGTH	DUCT SIZE
Gas	10' (3.0 m) or less*	5" (12.7 cm) diameter*
	Between 10' (3.0 m) and 60' (18.3 m)	6" (15.2 cm) diameter 3 1/4" x 10" (8.3 cm x 25.4 cm)
Electric	10' (3.0 m) or less**	5" (12.7 cm) diameter**
	Between 10' (3.0 m) and 60' (18.3 m)	6" (15.2 cm) diameter 3 1/4" x 10" (8.3 cm x 25.4 cm)

\*Gas cooktops must use 5" (12.7 cm) diameter for runs of 10' (3.0 m) or less.

\*\*May be used to vent straight out the back of the cooktop and directly through the wall.

CALCULATING MAXIMUM DUCTING LENGTH

- Maximum ducting length is 60' (18.3 m).
- Each 90° elbow equals 5' (1.5 m) duct.
- Use no more than three 90° elbows.
- Flexible metal vent is not recommended.
- Do not install two elbows together.

NOTES:

- For ducting runs up to 30' (9.1 m), install cooktop as shipped.
- For ducting runs of 31' (9.4 m) to 60' (15.2 cm), remove the restricter ring on the blower inlet housing.
- For altitudes above 4500' (1272.0 m), reduce recommended vent run by 20% for best performance.