



Cape Dory® | K-5864-5U

33" undermount single-bowl kitchen sink

Features

- 36" minimum base cabinet width
- Single bowl
- 9" (229 mm) depth provides generous workspace
- Oversized holes allow for easy installation of faucets and accessories
- Five oversized faucet holes
- Sink drain with strainer sold separately



Sustainability



Available Colors/Finishes

Color tiles intended for reference only.

- 0 White
- 96 Biscuit
- 7 Black Black



1-800-4KOHLER (1-800-456-4537)
Kohler Co. reserves the right to make revisions without notice to product specifications.
For the most current specification sheet, go to www.kohler.com USA or www.kohler.ca Canada.
4-15-2026 2:13 - US-CA

THE BOLD LOOK
OF **KOHLER**

Codes/Standards

ASME A112.19.1/CSA B45.2

Technical Information

All product dimensions are nominal.

Number of Deck Holes:	5
Faucet Hole(s) Size:	2-3/8" (60 mm)
Center(s):	8" (203 mm)
Drain Hole Diameter:	3-5/8" (92 mm)
Minimum Base Cabinet Width:	36" (914 mm)
Basin Configuration:	Single Bowl
Basin Length:	29" (737 mm)
Basin Width:	15" (381 mm)
Basin Depth:	9" (229 mm)

Material

- KOHLER® enameled cast iron
 - Acid-resistant enamel finish
-

Recommended Products/Accessories

1411886 Undermount Kit 23"

K-23726 Drain treatment

K-6063 27-1/2" x 13-3/8" stainless steel sink rack

K-6637 Hardwood cutting board

K-23725 Cast iron cleaner

K-8801 Sink drain and strainer with tailpiece

K-8799 Sink drain and strainer basket, less tailpiece

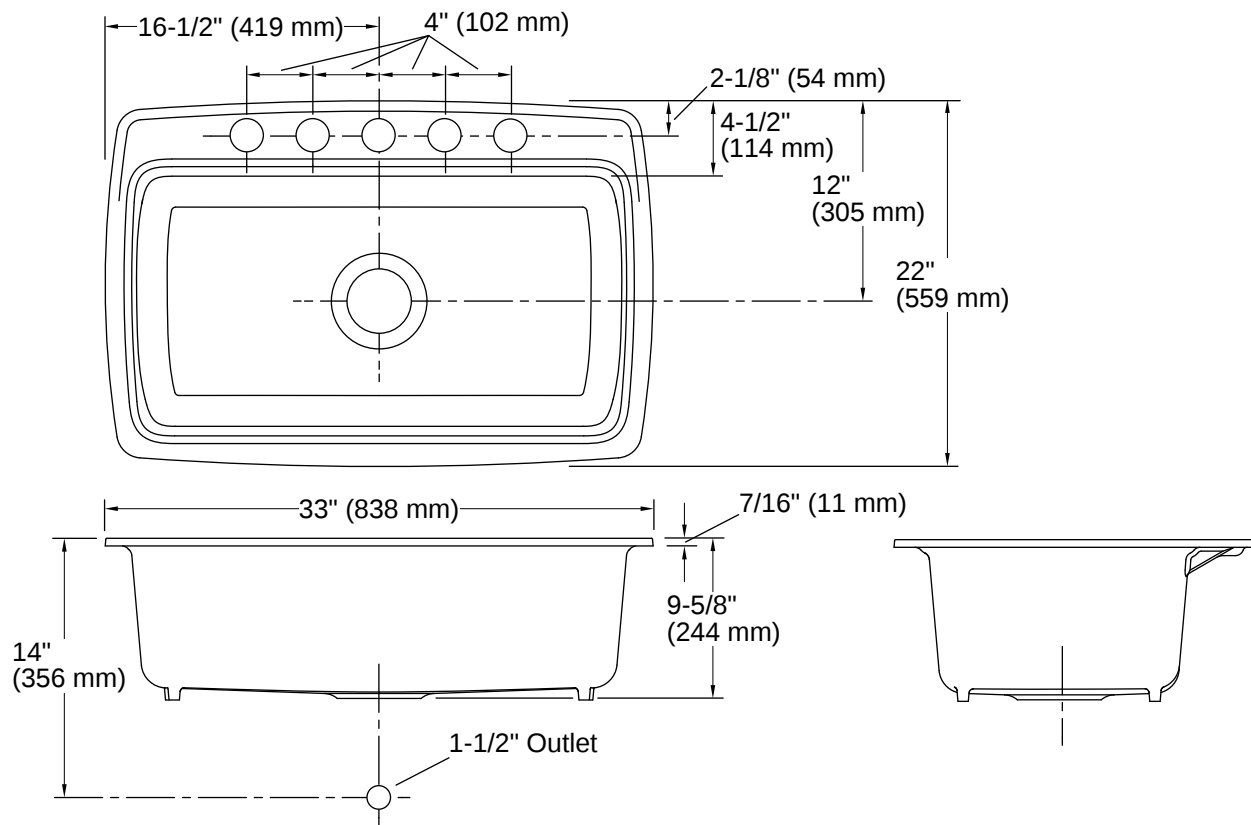
Warranty

See website for detailed warranty information.

KOHLER® Enameled Cast Iron Kitchen and Bathroom Sink Lifetime Limited Warranty



1-800-4KOHLER (1-800-456-4537)
Kohler Co. reserves the right to make revisions without notice to product specifications.
For the most current specification sheet, go to www.kohler.com USA or www.kohler.ca Canada.
4-15-2026 2:13 - US-CA



Installation

- Undermount

Installation Notes

Install this product according to the installation instructions.

Faucet holes in under-mount fixture are oversized at $\text{A}^{\text{2-3/8}}$ (60 mm). Drill faucet holes in counter according to fitting roughing-in.

