

Sage™ Technical Specification

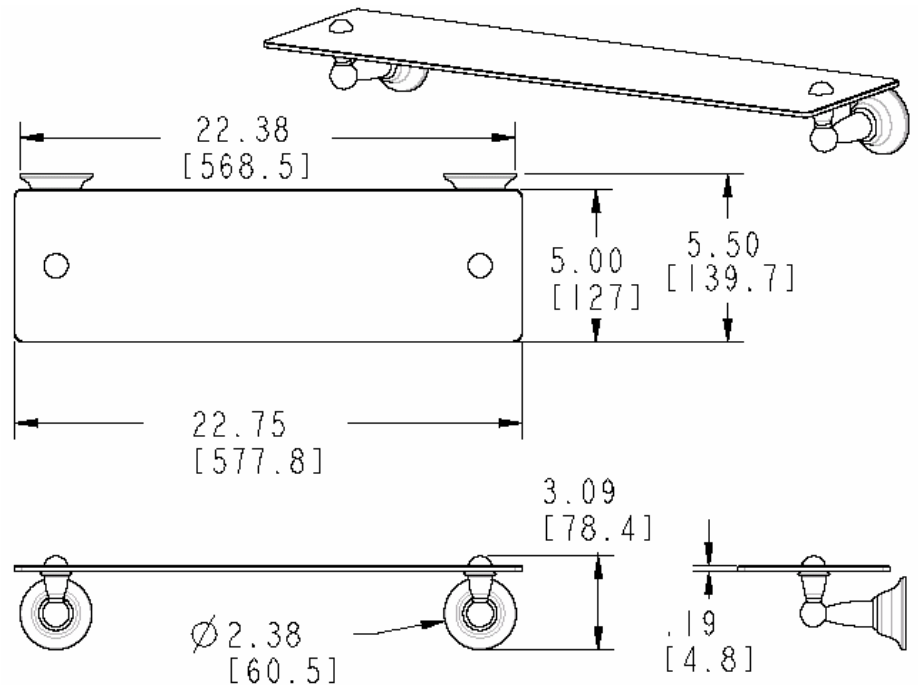
Glass Shelf

DN6890

Stock Numbers:

q **DN1290BN – Glass Shelf**
Brushed Nickel Finish

Dimensions:



Materials:

Glass Shelf posts are constructed of zinc. Shelf is tempered glass.

Installation Instructions:

1. Position the mounting template on the wall in the desired location. Using a level, align the template and tape it to the wall.
2. Remove each mounting post from the body by loosening the setscrew.
3. Place each mounting post on the template with notch facing down.
4. One at a time, place each anchor screw through the mounting post, centered in the large hole. Using a Phillips screwdriver, turn the anchor screw while applying pressure. Screw will self drill and tap into drywall.
5. Only insert screw 1/2 to 3/4 of the way.
6. After all screws are installed, tear the template away from the wall.
7. Tighten all 4 the screws. Do not over tighten.
8. Assemble glass to each post by unscrewing the top accent. Re-assemble with glass shelf between both washers and finish by screwing top accent back on.
9. Place each post over the mounting plate with setscrew down. Tighten both setscrews.

Cleaning Instructions:

To preserve the fine finish of this product, clean only with a soft damp cloth. Dry well. Do not use commercial or abrasive cleaners.

Stock Number: _____ **Glass Shelf**
By Creative Specialties



25300 AL MOEN DRIVE • NORTH OLMSTED, OH 44070
CORPORATE HEADQUARTERS: (800) 321-8809 • FAX: (800) 848-6636
INTERNATIONAL: (440) 962-2000 • FAX: (440) 962-2726
CUSTOMER SERVICE (USA): 800-882-0116 • FAX: (888) 379-2720

©Copyright Creative Specialties International 2006

Literature #BA1183