

Home Care Technical Specification

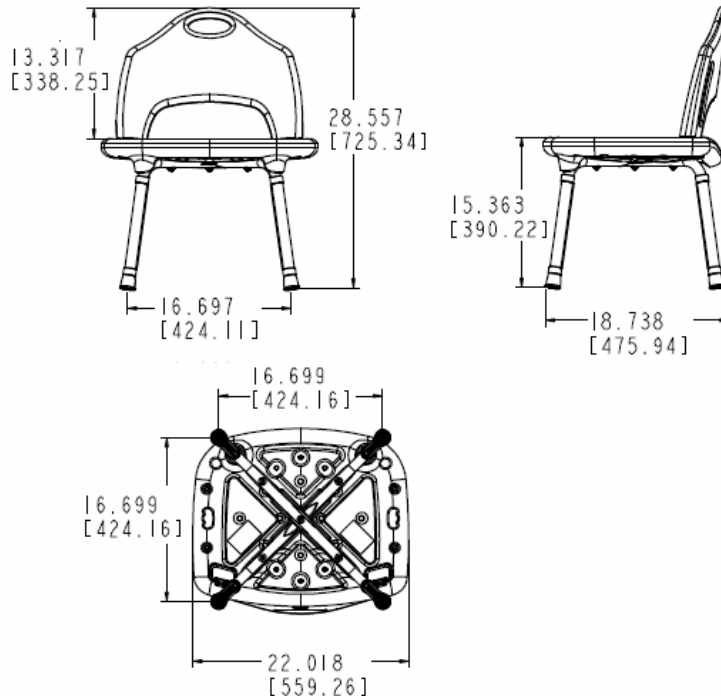
Tool Free Shower Chair

DN7060

Stock Numbers:

- q **DN7060 – Tool-Free Shower Chair**
White

Dimensions:



Materials:

Tool-Free Shower Chair is made of ABS Plastic, Aluminum, EPDM, and Stainless.

Installation Instructions:

1. Slide adjustable legs onto ends of under seat supports, being careful to make sure that the single hole in the top of adjustable leg aligns with the rounded brass studs on the under seat supports.
2. Depress brass stud with thumb to allow adjustable leg to slide over it. Brass stud will click into place through hole in adjustable leg.

To adjust length of adjustable legs:

1. To adjust length of adjustable legs/height of seat, depress stud to allow leg to move in out of outer post, aligning stud with the hole in post that corresponds with the desired length of adjustable leg. Make sure that stud clicks into place at desired length.
2. Test each leg to make sure that all studs have fully clicked into place.
3. Grasp seat back by handle and insert bottom tabs into large holes in seat bottom until the tabs snap into place.

Stock Number: _____ **TF Shower Chair**
By Creative Specialties



25300 AL MOEN DRIVE • NORTH OLMSTED, OH 44070
CORPORATE HEADQUARTERS: (800) 321-8809 • FAX: (800) 848-6636
INTERNATIONAL: (440) 962-2000 • FAX: (440) 962-2726
CUSTOMER SERVICE (USA): 800-882-0116 • FAX: (888) 379-2720
WWW.HOMECARE.MOEN.COM

©Copyright Creative Specialties International 2006

Literature #BA1371