

INSTANT-FLOW® SR - LOW FLOW

INSTANT-FLOW® SR - LOW FLOW METRIC CHART

MODEL	AMPS/PHASE	1 Ø VOLTAGE	WATTS	ACTIVATION LPM	°C TEMPERATURE RISE @		
					1.50 LPM	3.00 LPM	4.00 LPM
SR-15L/120	15	120	1800	1.3	17	--	--
SR-15L/277	15	277	4150	1.3	40	20	15
SR-20L/120	20	120	2400	1.3	23	11	--
SR-20L/208	20	208	4160	1.3	40	20	15
SR-20L/240	20	240	4800	1.3	46	23	17
SR-20L/277	20	277	5540	1.3	53	27	20
SR-30L/120	30	120	3600	1.3	34	17	13

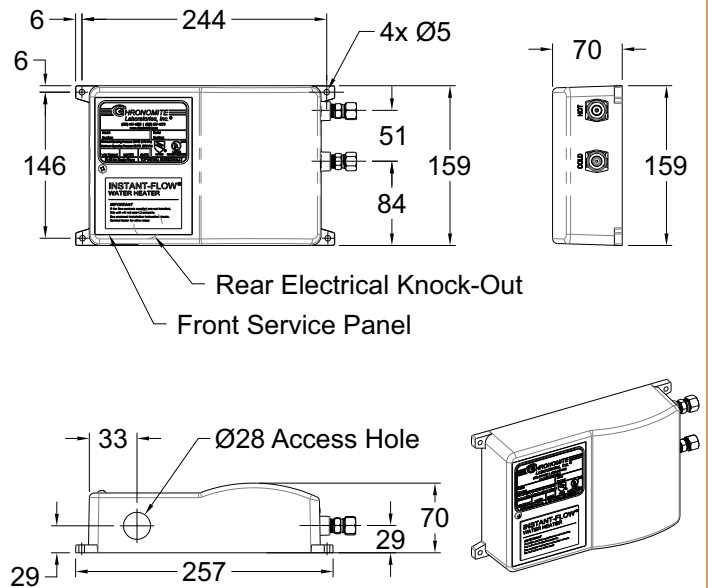
TECHNICAL DIMENSIONS

INSTANT-FLOW® SR - LOW FLOW

Dimensions:	159 (H) x 244 x 70mm
Weight:	2.27 Kg
Materials:	Rugged cast aluminum housing Celcon plastic element assembly with nichrome coils
Housing Color:	White
Minimum Operating Flow Rate:	1.3 LPM
Minimum Operating Pressure:	172 kPa
Maximum Operating Pressure:	552 kPa
Maximum Pressure:	1034 kPa
Maximum Water Temperature:	71°C
Maximum Ambient Operating Temperature:	60°C
Listing:	UL, IAPMO, UPC, ADA, ETL

GENERAL NOTES:

- 240V models when operated at 220V will have approximately a 15% temperature decrease.
- 120V models when operated 110V will have approximately a 15% temperature decrease.



Chronomite Laboratories assumes no responsibility for use of void or suspended data. © Copyright Chronomite Laboratories, Inc. Member of Morris Group International, City of Industry, CA Please visit www.chronomite.com for most current specifications.

SELECTION SUMMARY & APPROVAL FOR MANUFACTURING	Company _____	Quantity _____	<p>CHRONOMITE LABORATORIES, INC.</p> <p>PH. 800-447-4962 626-937-4270 FAX 626-937-4279 www.chronomite.com</p>
	Model Number & Options _____		
	Contact _____	Title _____	
	Signature (Approval for Manufacturing) _____	Date _____	

INSTANT-FLOW® SR - LOW FLOW

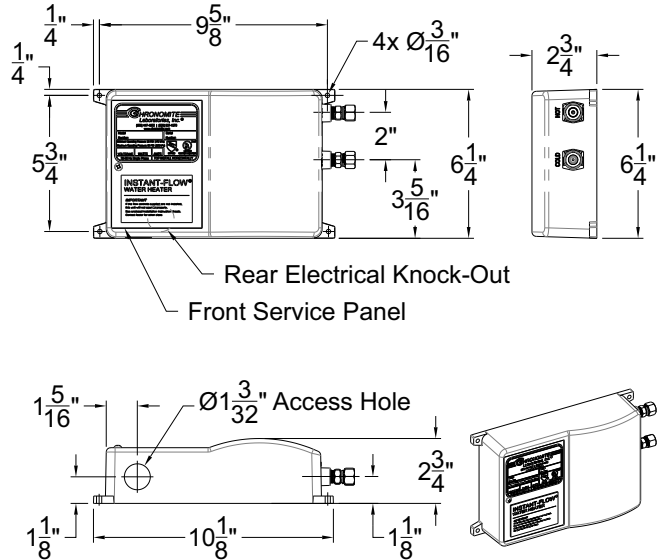
TECHNICAL DIMENSIONS

INSTANT-FLOW® SR - LOW FLOW

Dimensions:	6-1/4" (H) x 9-5/8" x 2-3/4"
Weight:	5 lbs.
Materials:	Rugged cast aluminum housing Celcon plastic element assembly with nichrome coils
Housing Color:	White
Minimum Operating Flow Rate:	0.35 GPM
Minimum Operating Pressure:	25 PSI
Maximum Operating Pressure:	80 PSI
Maximum Pressure:	150 PSI
Maximum Water Temperature:	160°F
Maximum Ambient Operating Temperature:	140°F
Listing:	UL, IAPMO, UPC, ADA, ETL

GENERAL NOTES:

- ✦ 240V models when operated at 220V will have approximately a 15% temperature decrease.
- ✦ 120V models when operated 110V will have approximately a 15% temperature decrease.



INSTALLATION DIAGRAM

Notes:

1. Heater to be installed below the level of all hot water outlets serviced by the heater.
2. Diagram shown with standard 3/8" Compression Fitting. Optional 1/2" Male NPT water connections available.

① Instant-Flow SR-L Heater

② Electrical Junction Supply Box (optional)

②A 2095-1 Disconnect Switch (optional)

③ Electrical Supply Conduit

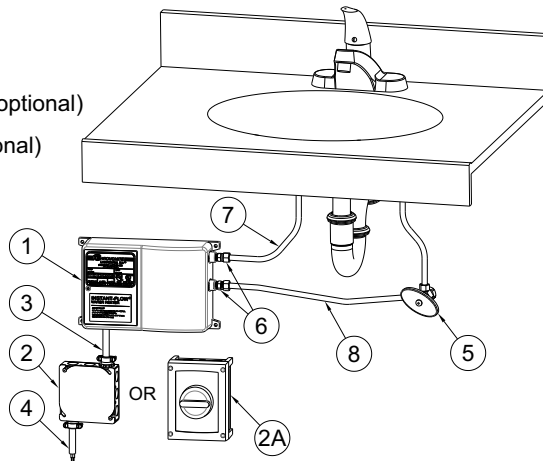
④ Electrical Supply Wire

⑤ Dual outlet Stop, 3/8" Comp. Outlet Connections

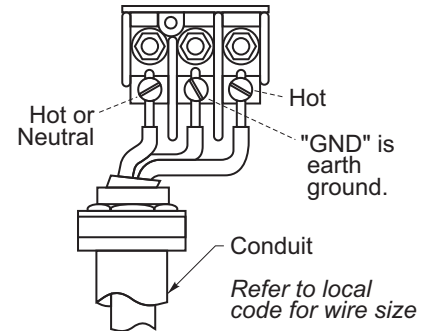
⑥ 3/8" Comp. x 1/4" NPT Fittings (supplied)

⑦ 3/8" Hot Water Outlet

⑧ 3/8" Cold Water Inlet



WIRING CONNECTION



ATTENTION:

Unit must be hard wired.
NOTE: Heaters are single phase.
All tests are measured at the output of the heater.

Chronomite Laboratories assumes no responsibility for use of void or suspended data. © Copyright Chronomite Laboratories, Inc. Member of Morris Group International, City of Industry, CA Please visit www.chronomite.com for most current specifications.

SELECTION SUMMARY & APPROVAL FOR MANUFACTURING

Company _____

Model Number & Options _____ Quantity _____

Contact _____ Title _____

Signature (Approval for Manufacturing) _____ Date _____

CHRONOMITE
LABORATORIES, INC.

PH. 800-447-4962

626-937-4270

FAX 626-937-4279

www.chronomite.com