

ECCENTRIC PLUG VALVES

CLOW VALVE COMPANY

Size Range	3" – 24"	
Size Range	Water working Pressure psi	Hydrostatic Test psi
3"-12"	175	265
14"-24"	150	225

Available End Connections & Size Range

Flanged
M.J.
Grooved
Flanged – Full Port

3"-24"
3"-24"
3"-16"
3"-12"

Figure No.

F-5412
F-5413
F-5414

Accessories

Floorstands
Extension Stems
Extended Bonnets
2" Sq. Operating Nuts
Handwheels
Lever Wrench Head (3"-8")
Chainwheels
Worm Gear Actuators

Electric Motor Actuators
Cylinder Actuators
Limit Switches
Stem Guides
Floor Boxes
"T" Handles
Chainlevers (3"-8")

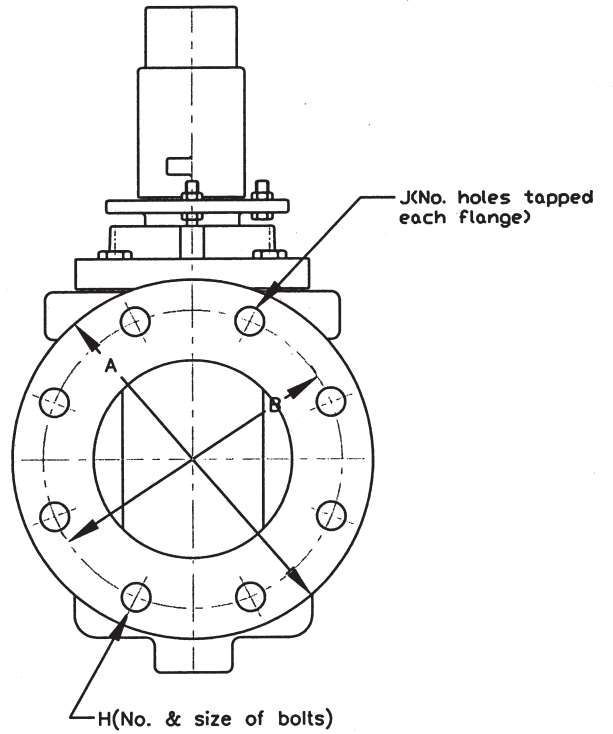
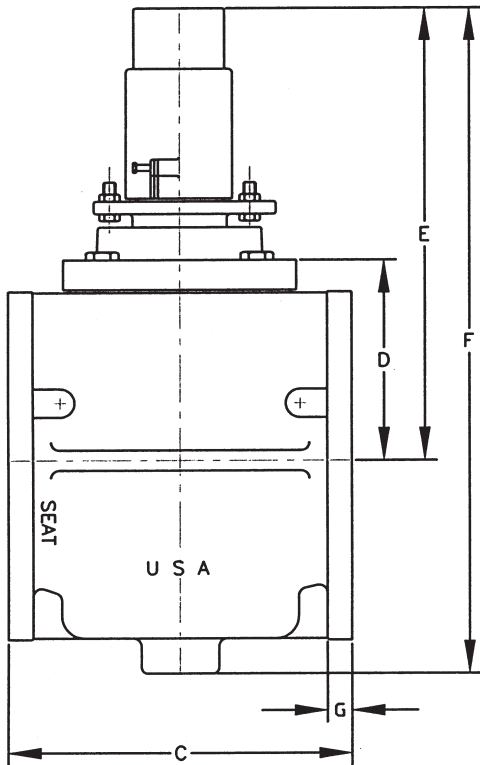
* Note: Call Factory For Special Applications

Valves 3" through 8" are available with lever actuators. Geared actuators are recommended on 6" and larger valves. It is also recommended that valves installed in pipelines with high velocity or where water hammer conditions can be caused by sudden valve shut-off that geared actuators be installed. Lever actuators can only be used for pressure ratings of 100 psi maximum and 25 psi in the reverse flow condition.

3"-8" ECCENTRIC PLUG VALVE
Flanged Ends - General Dimensions

CLOW VALVE COMPANY

F-5412



VALVE SIZE	A	B	C	D	E	F	G	H	J
3"	7½	6	8	3 ¹⁵ / ₃₂	6¾	11	¾	4- ⁵ / ₈	0
4"	9	7½	9	4 ⁷ / ₁₆	11	16 ³ / ₈	1	8- ⁵ / ₈	4
6"	11	9	10½	6½	14½	21	1 ¹ / ₁₆	8- ³ / ₄	2
8"	13½	11¾	11½	7 ⁵ / ₈	16	24¼	1 ¹ / ₁₆	8- ³ / ₄	4