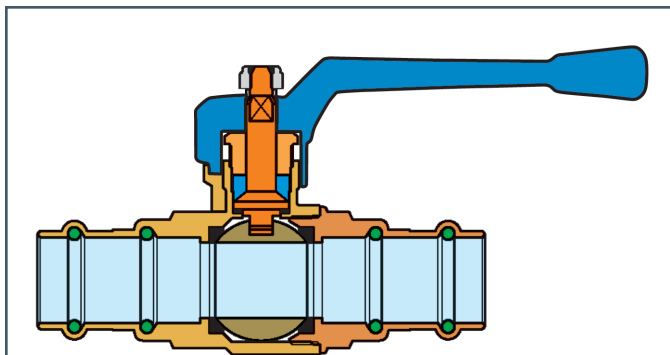
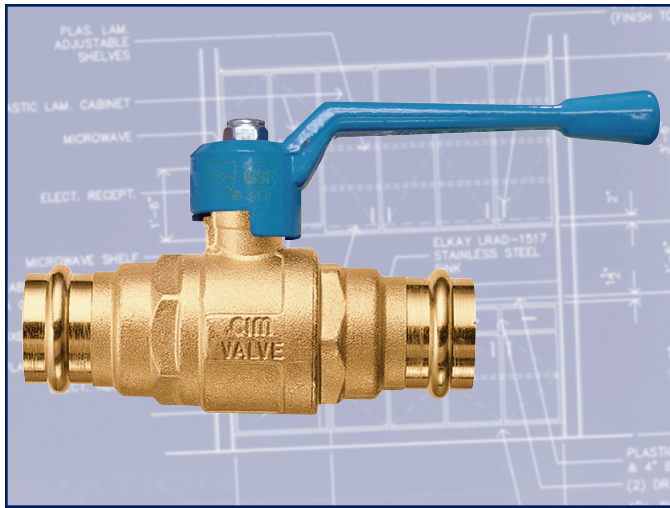


cimPRESS Full Port Ball Valve

cim220L.1

CimPRESS x CimPRESS • cim220SS.1 CimPRESS Ball Valve with Stainless Steel Ball & Stem



Materials:

- **Body:** Hot Forged Brass ASTM C37700
- **Ball:** Brass, Machined to a Micro-Smooth Finish, Hard Chromium Plated
or: 316 Stainless Steel (Cim220SS.1)
- **Stem:** 36600 Bar Stock
or: 316 Stainless Steel (Cim220SS.1)
- **Ball Seats:** Conical Rings in P.T.F.E.
- **Stem Seal:** Two O-Rings in FPM.
- **O-Ring:** EPDM - ASTM D 2000 M2.
- **Handle:** Aluminum
- **Nut:** Self-Locking Type, Steel ANSI C.1008.

Applications:

CIM 220L.1 CimPRESS Ball Valves are manufactured in accordance with MSS110, PS117-2004, and EN ISO 9001 standards and are designed for direct connection to copper and/or stainless steel tube using standard crimp press tools and are suitable for use with nonaggressive fluid applications including residential, industrial, and agricultural systems.

Features:

CimPRESS valves were developed as purpose built valves for cold crimp attachment to eliminate the need to assemble separate components in the field, which could result in weak/leak points and increased material and labor costs. The CIM 220L.1 is manufactured from DZR "CR" corrosion-resistant brass with double EPDM-ASTM D 2000 M2 O-Rings to insure a leak proof cold crimped seal with added protection against corrosion.

CimPRESS valves eliminate the torch and the need to clean, flux and solder in order to create a permanent watertight valve connection, significantly reducing average installation time while avoiding potential fire risks and other problems associated with sweat connections, saving time and money.

The Cim220SS.1 ball valve features a stainless steel ball and stem.

Connection:

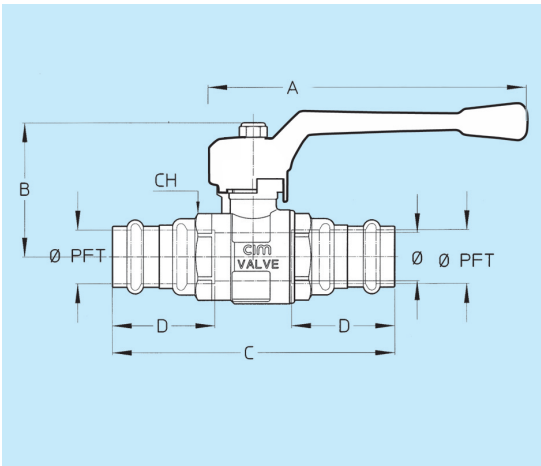
Cold pressure connection for copper and stainless steel tube plumbing systems.

Size	Fast Order No.	Technical ID No.
Cim220L.1		
1/2"	220-04	CIM220L-E04LH
3/4"	220-06	CIM220L-E06LH
1"	220-07	CIM220L-E07LH
1-1/4"	220-08	CIM220L-E08LH
1-1/2"	220-09	CIM220L-E09LH
2"	220-10	CIM220L-E10LH
Cim220SS.1		
1/2"	220SS-04	CIM220SS-E04LH
3/4"	220SS-06	CIM220SS-E06LH
1"	220SS-07	CIM220SS-E07LH
1-1/4"	220SS-08	CIM220SS-E08LH
1-1/2"	220SS-09	CIM220SS-E09LH
2"	220SS-10	CIM220SS-E10LH

cimPRESS Full Port Ball Valve

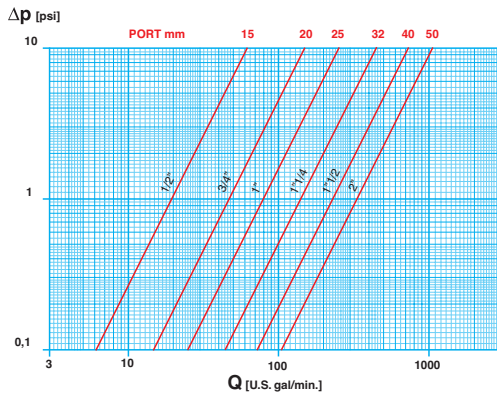
cim220L.1

CimPRESS x CimPRESS • cim 220SS.1 cimPRESS Ball Valve with Stainless Steel Ball & Stem

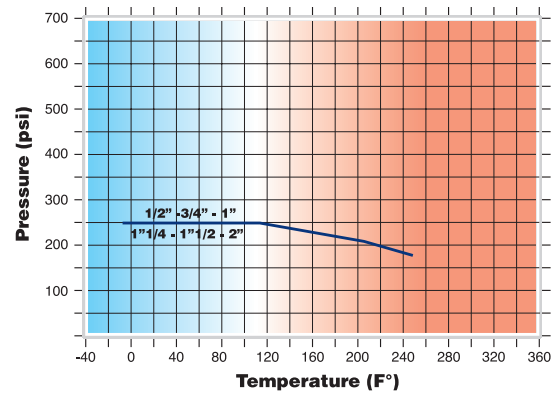


Size	1/2"	3/4"	1"	1-1/4"	1-1/2"	2"
Port inch	0.59"	0.79"	0.98"	1.26"	1.57"	1.97"
Port mm	15mm	20mm	25mm	32mm	40mm	50mm
A	3-15/16"	5-1/2"	5-1/2"	6-5/8"	7-7/8"	7-7/8"
	100mm	140mm	140mm	170mm	200mm	200mm
B	2-1/16"	2-3/16"	2-3/8"	2-7/8"	3-1/2"	3-3/4"
	52mm	56mm	60mm	72.5mm	88.5mm	95.5mm
C	4-3/16"	4-3/4"	5"	5-1/4"	6-1/8"	7-1/8"
	106mm	120mm	127.5mm	133mm	155mm	180mm
D	1-9/16"	1-3/4"	1-3/4"	1-11/16"	1-15/16"	2-1/8"
	40mm	44mm	44mm	43mm	48.5mm	54.5mm
CH	15/16"	1-1/4"	1-1/2"	1-7/8"	2-3/16"	2-11/16"
	24mm	32mm	38mm	48mm	55mm	68mm
Pounds	0.57	0.96	1.29	2.01	3.12	4.38
Grams	260	435	585	910	1410	1985

FLOW AND PRESSURE DROP



PRESSURE/TEMPERATURE RATINGS



CV CM CS MT

CV: Capacity in "U.S. gal/min" at pressure drop of "1 PSI"

CM: Working Torque in "lb x in"

CS: Starting Torque in "lb x in"

MT: Torque Breaking Point on the Stem in "lb x in"

Element: Water - Temperature: 59.9° F

	SIZE	1/2"	3/4"	1"	1-1/4"	1-1/2"	2"
220.1	Ø mm	15	20	25	32	40	50
	Ø inch	0.59	0.79	0.98	1.26	1.57	1.97
CV	gal/min	19.7	47.5	78.7	142.3	229.1	335.4
CM	N x m	3	5	6	7	10	13
	lb x in	27	44	53	62	89	115
CS	N x m	6	10	12	14	20	26
	lb x in	53	89	106	124	177	230
MT	N x m	10	24	24	45	90	90
	lb x in	89	213	213	399	797	797

Working Pressure: 1/2" – 2" : 250 PSI

Max. Operating Temperature: Working Limit for Fluids -4° F – 248° F

Test Pressures: According to ISO 5208