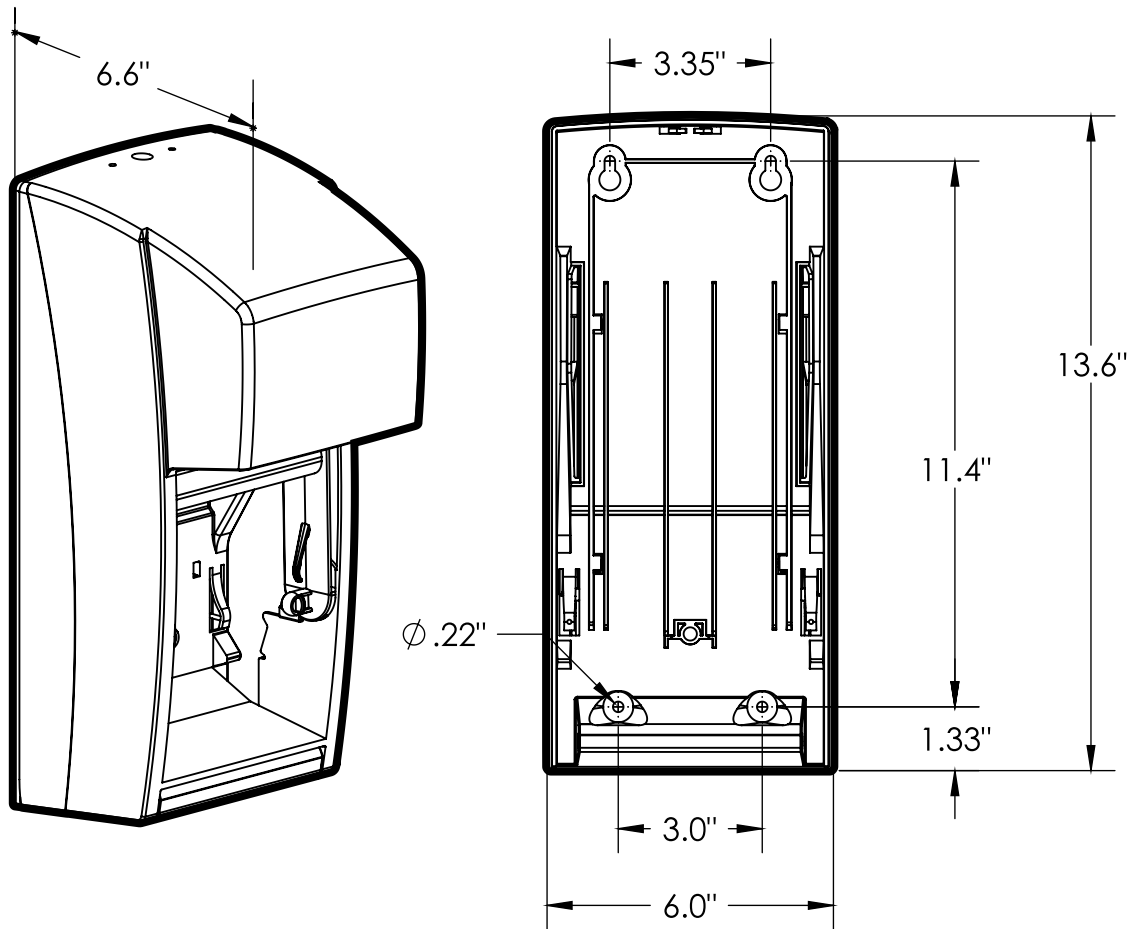


Scott® Essential Standard Roll Bathroom Tissue Dispenser



- Made of ABS plastic
- Holds two toilet paper rolls in a vertical configuration
- Includes adapters for both cored and coreless bath tissue rolls
- Allows access to the reserve roll once the lower roll is completely used
- Choice of key-activated spring lock or push-button operation
- Hardware included for mounting
- One per case

Product Code:

09021

Black

Suggested mounting height for the outlet of the dispenser is 15" minimum and 48" maximum above the floor. In the presence of a grab bar rail, mount dispenser so that the outlet is no greater than 12" above the bar, or so that the top of the dispenser is no less than 1.5" below the bar.

When installed properly and used with corresponding product, this dispenser meets ADA Standard 28 CFR Part 36, local rules may vary.