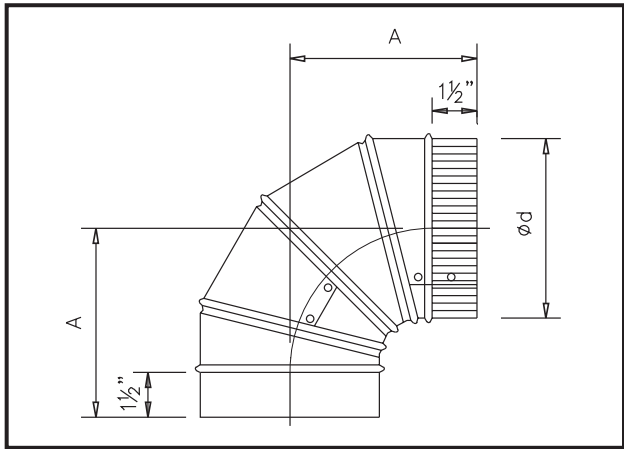


90° Adjustable Elbow



Technical Data

- Galvanized Steel (ASTM A653 and A924)
- G-60 Galvanized Coating (ASTM A653 and ASTM A90)
- Available in Specialty Metals:
 - Aluminum (ASTM B209 Alloy 3003 Temper H14)
 - 304 Stainless Steel (ASTM A480 2B Finish)
- Pressure Rating: -1" wg - +2" wg
- Dimensional Tolerance: $\pm 1/4"$

Product Availability

Size (Ød)	Gauge Availability		Quantity		Dimension
	26 Ga.	24 Ga.	Bundle	Skid	A
3"	Yes	Yes	12	720	4 1/2"
4"	Yes	Yes	12	576	4 3/4"
5"	Yes	Yes	12	432	5 1/2"
6"	Yes	Yes	12	216	6"
7"	Yes	Yes	12	144	6 1/2"
8"	Yes	Yes	12	144	7"
9"	Yes	Yes	12	96	8 1/2"
10"	Yes	Yes	12	96	9"
12"	Yes	Yes	12	96	10"
14"	Yes	Yes	8	80	10 1/2"
16"	-	Yes	8	64	12"
18"	-	Yes	4	16	14"
20"	-	Yes	4	12	15"
22"	-	‡	4	12	‡
24"	-	‡	4	12	‡

‡ Consult factory for availability.

Part Number Schematic

Example: **AEC890GA26** = 90° Adjustable Elbow for 8" Pipe in 26Ga. Galvanized Steel with Both Ends Crimped

AE Adjustable Elbow	C Crimp Both Ends (Opt. Special Order)	8 Elbow Diameter (Ød)	90 90° Elbow	GA Material GA-Galvanized (Std.) AL - Aluminum S4 - 304 S.S	26 Gauge GA - 26, 24 AL - 32 S4 - 26
-------------------------------	---	------------------------------------	------------------------	--	---

(Items in green denote available options)