



# 6" ECONOMY UNIVERSAL IC HOUSING

INCANDESCENT LAMPS

**IC23W**


Project: \_\_\_\_\_

Fixture Type: \_\_\_\_\_

Location: \_\_\_\_\_

Contact/Phone: \_\_\_\_\_

## PRODUCT DESCRIPTION

IC Air-Loc® Housing • Energy efficient, sealed housing • Can be completely covered with insulation • When used with Air-Loc Gasket (see accessories), stops infiltration and exfiltration of air, reducing heating and cooling costs • Trims shown with Air-Loc symbol  do not require a gasket.

## PRODUCT SPECIFICATIONS

**Lamp** Lamp ratings based on trim selected—see reverse.

**Socket** Medium base porcelain with nickel-plated copper screw shell • Floating socket with spring attaches to trim for installation.

**Trims** Trim selection shown on reverse.

**Labels** U.L. listed for through-branch wiring, damp locations and IP • Product thermally protected against improper use of lamps • UL Listed/CSA certified • Trims 239 and 241 are wet location approved for covered ceiling applications • Trims 28, 29 are wet location approved for covered ceilings, **must be used with outdoor rated lamps**.

**Testing** All reports are based on published industry procedures; field performance may differ from laboratory performance.

Product specifications subject to change without notice.

## INSTALLATION

**Real Nail 3 Bar Hangers** Telescoping, patent-pending Real Nail 3 system permits quick placement of housing anywhere within 24" O.C. joists or suspended ceilings • Integral T-bar notch and clip secures housing in suspended ceiling grid – no accessory clips required • 24" expansion stop allows quick placement of fixture in standard grid spacing • Bars scored in two locations for fast, clean breaking, allowing housing installation in tight applications • Bars captive to mounting frame • Edge-mounted for extra strength • Captive bugle-headed ring shank nail for quick one-step installation and easy removal with claw hammer for fixture relocation • Quick-Loc slot (location identified on the mounting frame) and oversized locking set screw lock fixture in position • Bar hanger foot contoured to align to bottom of construction joist • Alternate mounting holes included.

**Junction Box** Pre-wired junction box provided with (5) ½" and (1) ¾" knockouts, (4) Non-metallic sheathed cable connectors and ground wire, U.L. listed/CSA certified for through-branch wiring, maximum 8 No. 12 AWG 90° C branch circuit conductors (4 in, 4 out) • Junction box provided with removable access plates • Knockouts equipped with pryout slots • Supplied with **push-in electrical connectors** for fast installation.

**Mounting Frame** 22-gauge die-formed galvanized steel mounting frame • Rough-in section (junction box, mounting frame, housing and bar hangers) fully assembled for ease of installation • Sight lines embossed on mounting frame to allow for easy viewing when aligning fixtures.

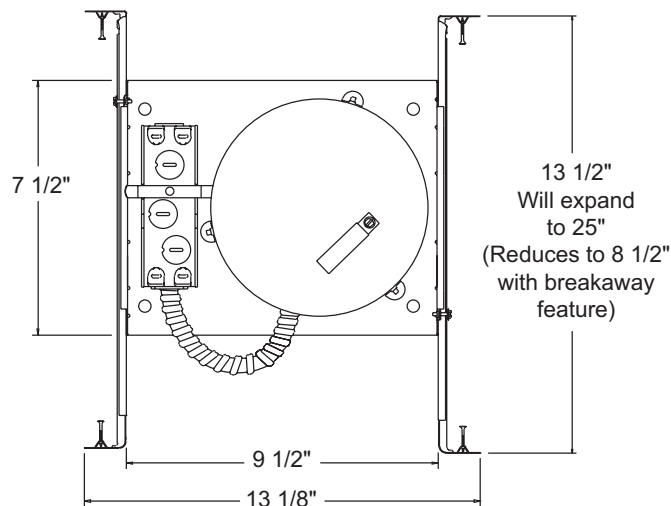
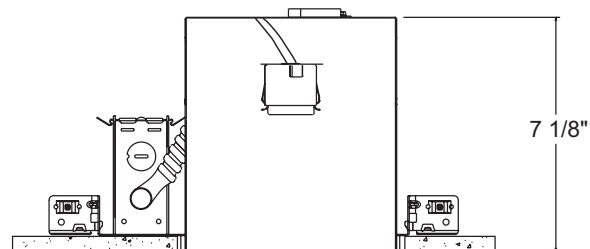
**Housing** IC housing, .032" aluminum sealed for Air-Loc Compliance • Housing is vertically adjustable to accommodate up to a 1" ceiling thickness.

## PRODUCT CODES

Catalog Number	Input Voltage	Lamp Rating (max.)
IC23W	120V	A19/BR30/BR40/PAR16/PAR20/PAR30/PAR30L/PAR38/R20 (See reverse for max. trim rating)

REV-2/09

## DIMENSIONS



6 7/8" CEILING CUTOUT

## ACCESSORIES

Catalog No.	Description
ALG6	Air-Loc Gasket

To order, specify catalog number.

# 6" ECONOMY UNIVERSAL IC HOUSING


## INCANDESCENT LAMPS

### IC23W

#### TRIMS/LAMPS

	Cat. No.	Description	Lamp Rating
	<b>28B-WH</b> <b>28W-WH</b>	Ultra-Trim with Black Baffle Ultra-Trim with White Baffle	60W A19, 65W BR30, † 75W PAR30/30L, 90W PAR38, 90W BR40
	<b>29C-WH</b> <b>29W-WH</b>	Ultra-Trim with Clear Cone Ultra-Trim with White Cone	60W A19, 65W BR30, † 75W PAR30/30L, 90W PAR38, 90W BR40
	<b>244B-WH</b> <b>244W-WH</b>	Shallow Black Baffle Shallow White Baffle	75W PAR30L, 65W BR30, 60W PAR30
	<b>247C-WH</b> <b>247G-WH</b> <b>247B-WH</b> <b>247HZ-WH</b> <b>247WHZ-WH</b>	Shallow Cone - Clear Alzak® Shallow Cone - Gold Alzak® Shallow Cone - Black Alzak® Shallow Cone - Haze Shallow Cone - Wheat Haze	75W PAR30L, 65W BR30, 75W PAR30
	<b>250-WH</b> <b>250-SC</b> <b>250-ABZ</b>	Open Frame Open Frame Open Frame	65W BR30
	<b>230CB-WH</b> <b>230CW-WH</b>	Economy Multiplier in Clear w/Black Baffle Economy Multiplier in Clear w/White Baffle	40W A19
	<b>232C-WH</b> <b>232G-WH</b> <b>232W-WH</b> <b>232HZ-WH</b> <b>232WHZ-WH</b>	Multiplier in Clear Alzak® Multiplier in Gold Alzak® Multiplier in Gloss White Multiplier in Haze Multiplier in Wheat Haze	60W A19
	<b>233C-WH</b>	Multiplier in Clear Alzak® w/Black Baffle	40W A19
	<b>226B-WH</b> <b>226W-WH</b>	Black Cylinder w/Black Baffle White Cylinder w/White Baffle	60W PAR16
	<b>228-WH</b>	R20 Regressed Eyeball	50W PAR20/R20
	<b>229-WH</b> <b>229-SC</b> <b>229-ABZ</b> <b>229-BL</b>	BR30 Regressed Eyeball BR30 Regressed Eyeball BR30 Regressed Eyeball BR30 Regressed Eyeball	75W PAR30L, 65W BR30
	<b>248W-WH</b>	R20 Eyeball in White Baffle	50W PAR20/R20
	<b>249B-WH</b> <b>249W-WH</b>	BR30 Eyeball in Black Baffle BR30 Eyeball in White Baffle	75W PAR30L, 65W BR30
**	<b>264B-WH</b> <b>264W-WH</b>	PAR30 Adjustable in Black Baffle PAR30 Adjustable in White Baffle	50W PAR30
**	<b>267C-WH</b> <b>267G-WH</b> <b>267B-WH</b> <b>267HZ-WH</b> <b>267WHZ-WH</b>	PAR30 Adjustable in Clear Alzak® PAR30 Adjustable in Gold Alzak® PAR30 Adjustable in Black Alzak® PAR30 Adjustable in Haze PAR30 Adjustable in Wheat Haze	50W PAR30
	<b>239-WH</b> ♦	Frosted Lens	35W PAR30L
	<b>241-WH</b> ♦ <b>241-PW</b> ♦	Drop Opal with Reflector Shower/Closet Light	40W A19
	<b>261B-WH</b> <b>261W-WH</b>	Scoop Wall Wash with Black Baffle Scoop Wall Wash with White Baffle	40W A19

Trim Size: 7 $\frac{5}{8}$ " O.D. (except Cat. Nos. 228, 229, 241).  
Trim Finish: ABZ - Classic Aged Bronze, BL - Black, GP - Graphite,  
PW - Plastic White (Polycarbonate material shower trim),  
SC - Satin Chrome, SL - Silver, WH - White.  
Alzak is a registered trademark of Alcoa Corp.  
Note: In Canada when insulation is present, Type IC fixtures must be used.

 JUNO IC housings meet IECC Energy Code requirements per ASTM E283.  
Air-Loc® rated trims are pre-gasketed for minimum air leakage with IC housings.

♦ Wet location approved for covered ceiling applications.

† Suitable for wet locations, ceiling mount only when used  
with 75W PAR30 or 90W PAR38 OUTDOOR RATED LAMPS.

\*\* NOTE: TR6 Trim Ring compatible with 244, 247, 264, 267 trims.



1300 S. Wolf Road • Des Plaines, IL 60018 • Phone (847) 827-9880 • Fax (847) 827-2925  
220 Chrysler Drive • Brampton, Ontario • Canada L6S 6B6 • Phone (905) 792-7335 • Fax (905) 792-0064  
Visit us at [www.junolightinggroup.com](http://www.junolightinggroup.com)

Printed in U.S.A. ©2009 Juno Lighting, LLC.