




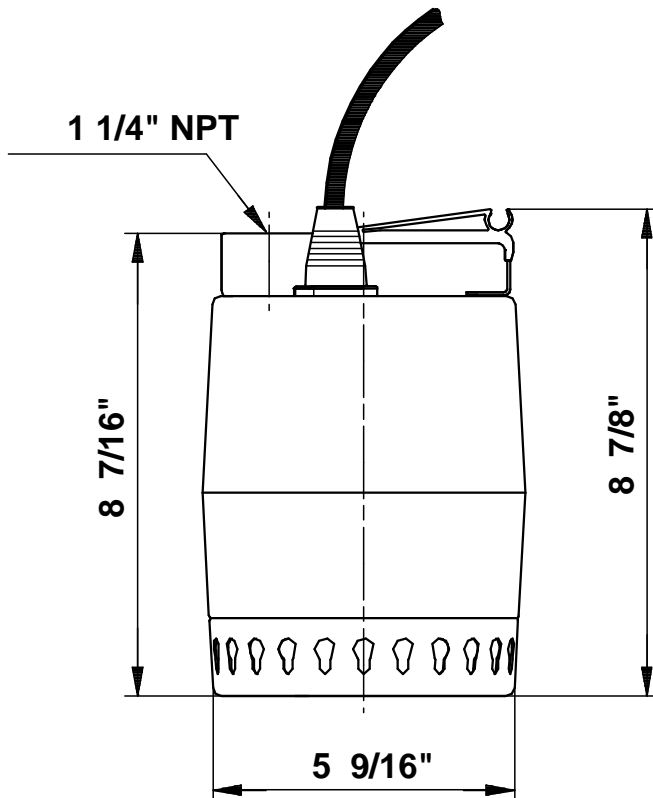
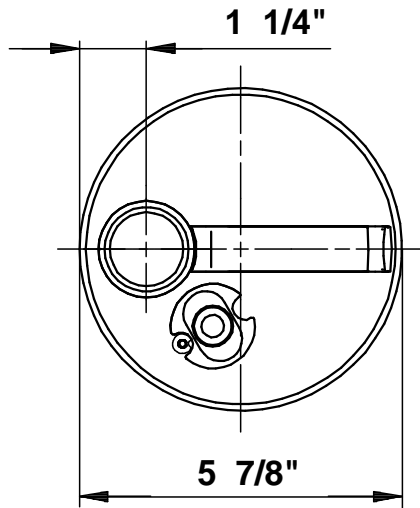
Position	Count	Description	Unit price
	-1	<p data-bbox="354 340 560 367"><b>Unilift KP 250 M 1</b></p> <div data-bbox="354 369 730 793" style="border: 1px solid black; text-align: center;">  <p data-bbox="738 766 1234 793">Product photo could vary from the actual product</p> </div> <p data-bbox="354 823 657 877">Product No.: 012DC201 Submersible drainage pump</p> <p data-bbox="354 907 1274 991">Vertical single-stage stainless steel submersible pump with vertical discharge port and integrated submersible 1-phase canned motor in insulation class F with thermal overload protection.</p> <p data-bbox="354 1020 1347 1075">The pump is fitted with a suction strainer, a carrying handle and is supplied with a 33 ft mains cable.</p> <p data-bbox="354 1104 1356 1159">The impeller is a semi-open impeller for 33 ft. free passage suitable for pumping groundwater, surface water, rain water and similar liquids.</p> <p data-bbox="354 1188 1258 1222">The pump has a double shaft seal consisting of two lip seals with grease in-between.</p> <p data-bbox="354 1251 1356 1335">The pump has an outer casing ensuring continuous cooling of the motor by the pumped liquid. The rotor shaft operates in two maintenance-free carbon bearings cooled by the pumped liquid.</p> <p data-bbox="354 1365 852 1398">The motor is filled with a non-toxic motor liquid.</p> <p data-bbox="354 1449 844 1533"><b>Liquid:</b> Liquid temperature range: 32 .. 122 °F Density: 62.4 lb/ft³</p> <p data-bbox="354 1562 885 1646"><b>Technical:</b> Type of impeller: Semi-open Approvals on nameplate: UL Listed, CSA</p> <p data-bbox="354 1675 917 1873"><b>Materials:</b> Pump housing: Stainless steel DIN W.-Nr. 1.4301 AISI 304 Impeller: Stainless steel DIN W.-Nr. 1.4301 AISI 304</p>	On request



Company name: -  
Created by: -  
Phone: -  
Fax: -  
Date: -

Position	Count	Description	Unit price
		<p><b>Installation:</b> Pump outlet: 1 1/4" NPT Maximum installation depth: 32.8 ft</p> <p><b>Electrical data:</b> Power input - P1: 480 W Main frequency: 60 Hz Rated voltage: 1 x 115 V Rated current: 4.9 A Starting current: 14.5 A Capacitor size - run: 20 µF/250 V Enclosure class (IEC 34-5): 68 Insulation class (IEC 85): F Length of cable: 33 ft Type of cable plug: US</p> <p><b>Others:</b> Shipping volume: 0.44 ft<sup>3</sup></p>	

**012DC201 Unilift KP 250 M 1 60 Hz**



Note! All units are in [mm] unless others are stated.  
Disclaimer: This simplified dimensional drawing does not show all details.