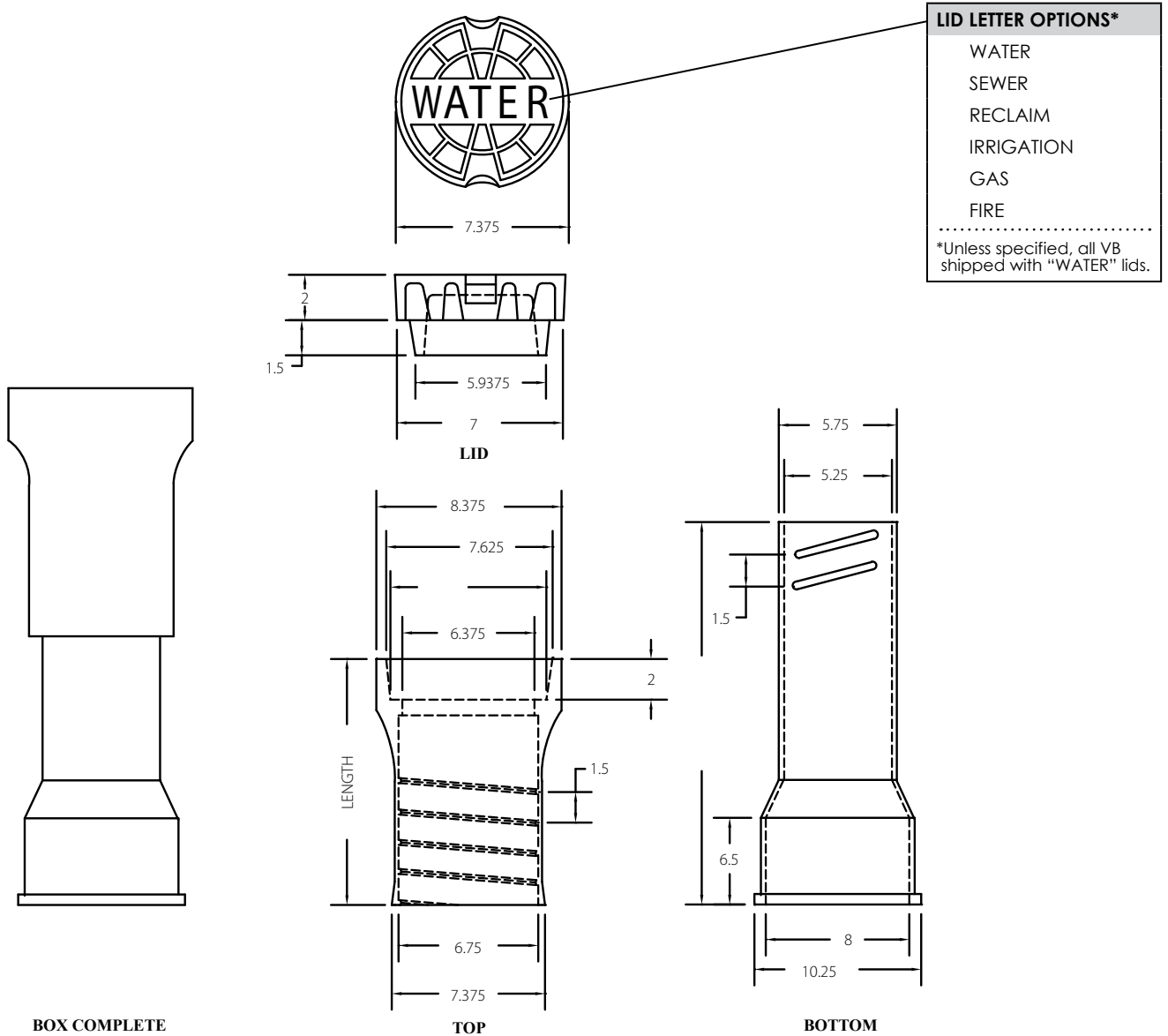


2 PIECE STANDARD SCREW TYPE VALVE BOX

VB-001

ITEM CODE	HEIGHT	APPROX. WT. (LBS)	LENGTH	
			TOP	BOT.
VB461S	19-21	44	10	15
VB462S	27-32	57	10	24
VB562S	27-37	67	16	24
VB564S	39-50	80	16	36
VB664S	39-60	94	26	36



Notes:
 - Material - Cast Iron Per ASTM A48 Class 30B
 - Dimensions in Inches



® REGISTERED TRADEMARK OF STAR PIPE PRODUCTS

STAR® PIPE PRODUCTS
 HOUSTON CORPORATE | TOLL FREE 1-800-999-3009 | FAX 281-558-9000
 www.starpipeproducts.com

2 PIECE HEAVY DUTY SCREW TYPE VALVE BOX (OPTIONAL CLASS 35B)

VB-0002

ITEM CODE CL 30B	ITEM CODE CL 35B	HEIGHT	APPROX. WT. (LBS)	LENGTH	
				TOP	BOT.
VB461SHD	VB461SHD35	19-21	55	10	15
VB462SHD	VB462SHD35	27-32	72	10	24
VB562SHD	VB562SHD35	27-37	82	16	24
VB564SHD	VB564SHD35	39-50	93	16	36
VB664SHD	VB664SHD35	39-60	111	26	36
◆VB666SHD	VB666SHD35	51-71	136	26	48
★VB668SHD	VB668SHD35	62-82	143	26	60

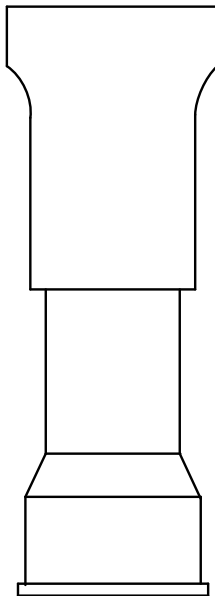
- ◆ - Optional bottom (48" one piece or 24" bottom w/ 24" extension) - Please indicate your preference
- ★ - Bottom is in two pieces (36" bottom and 24" extension)



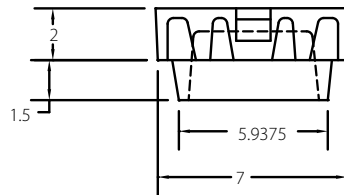
LID LETTER OPTIONS*

- WATER
- SEWER
- RECLAIM
- IRRIGATION
- GAS
- FIRE

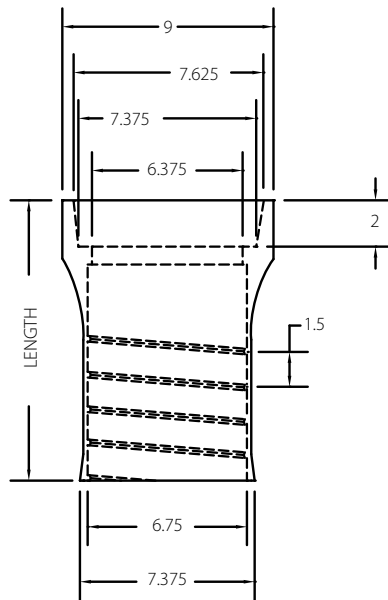
.....
*Unless specified, all VB shipped with "WATER" lids.



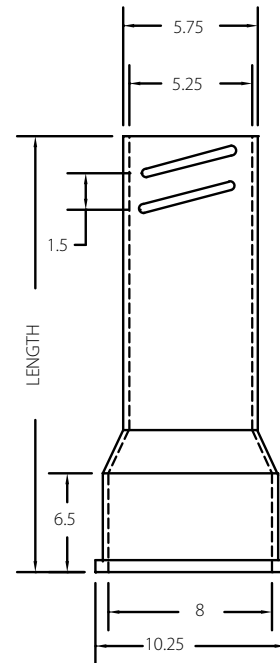
BOX COMPLETE



LID



TOP



BOTTOM

Notes:

- Material - Cast Iron Per ASTM A48 Class 30B or 35B
- Dimensions in Inches

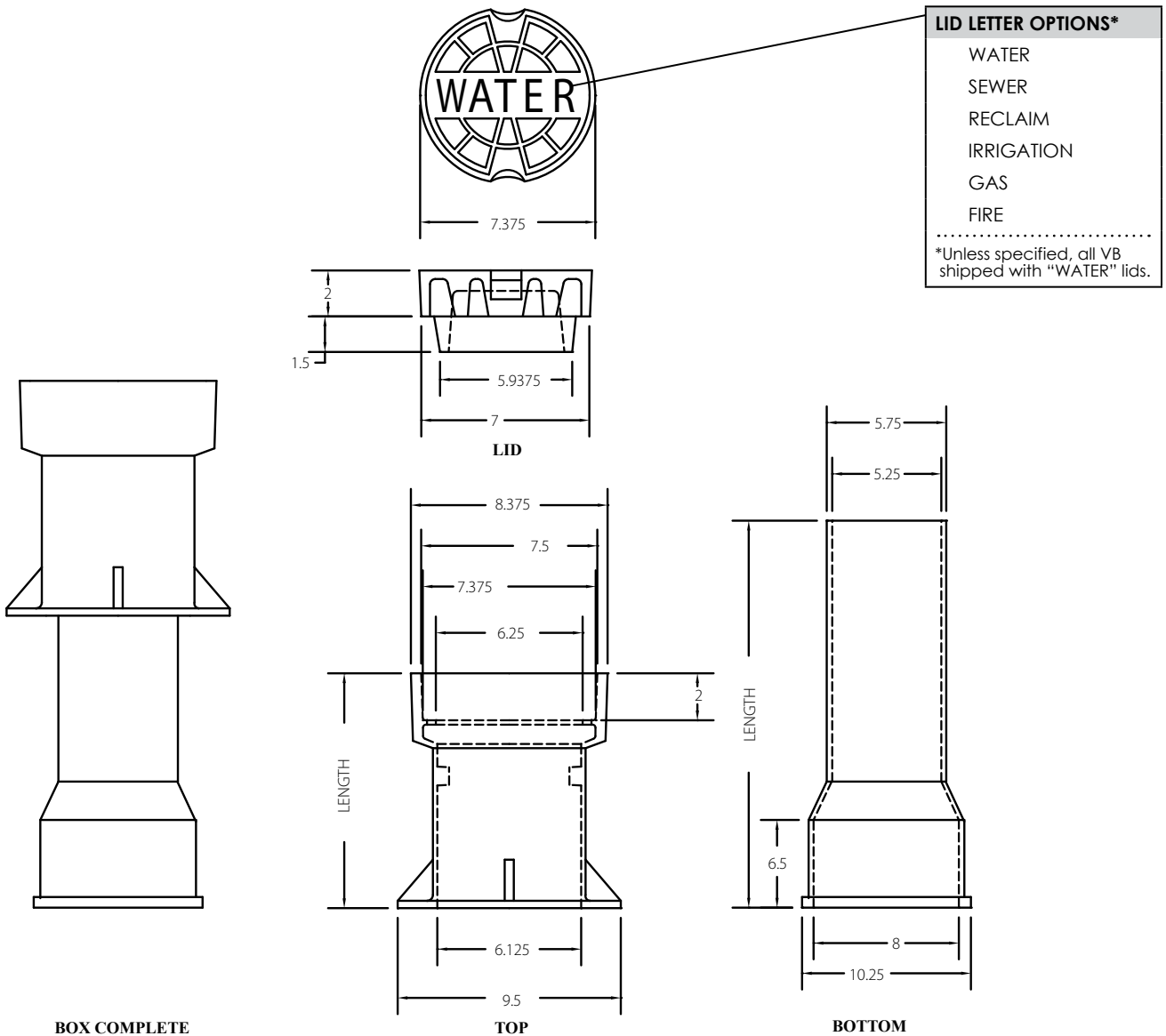


2 PIECE STANDARD SLIP TYPE VALVE BOX

VB-0003

ITEM CODE	HEIGHT	APPROX. WT. (LBS)	LENGTH	
			TOP	BOT.
VB461A	20-25	47	10	15
VB462A	29-33	55	10	24
VB562A	29-38	65	16	24
VB564A	41-51	80	16	36
VB664A	41-61	105	26	36
◆VB666A	53-73	125	26	48

◆ - Optional bottom (48" one piece or 24" bottom w/ 24" extension) - Please indicate your preference



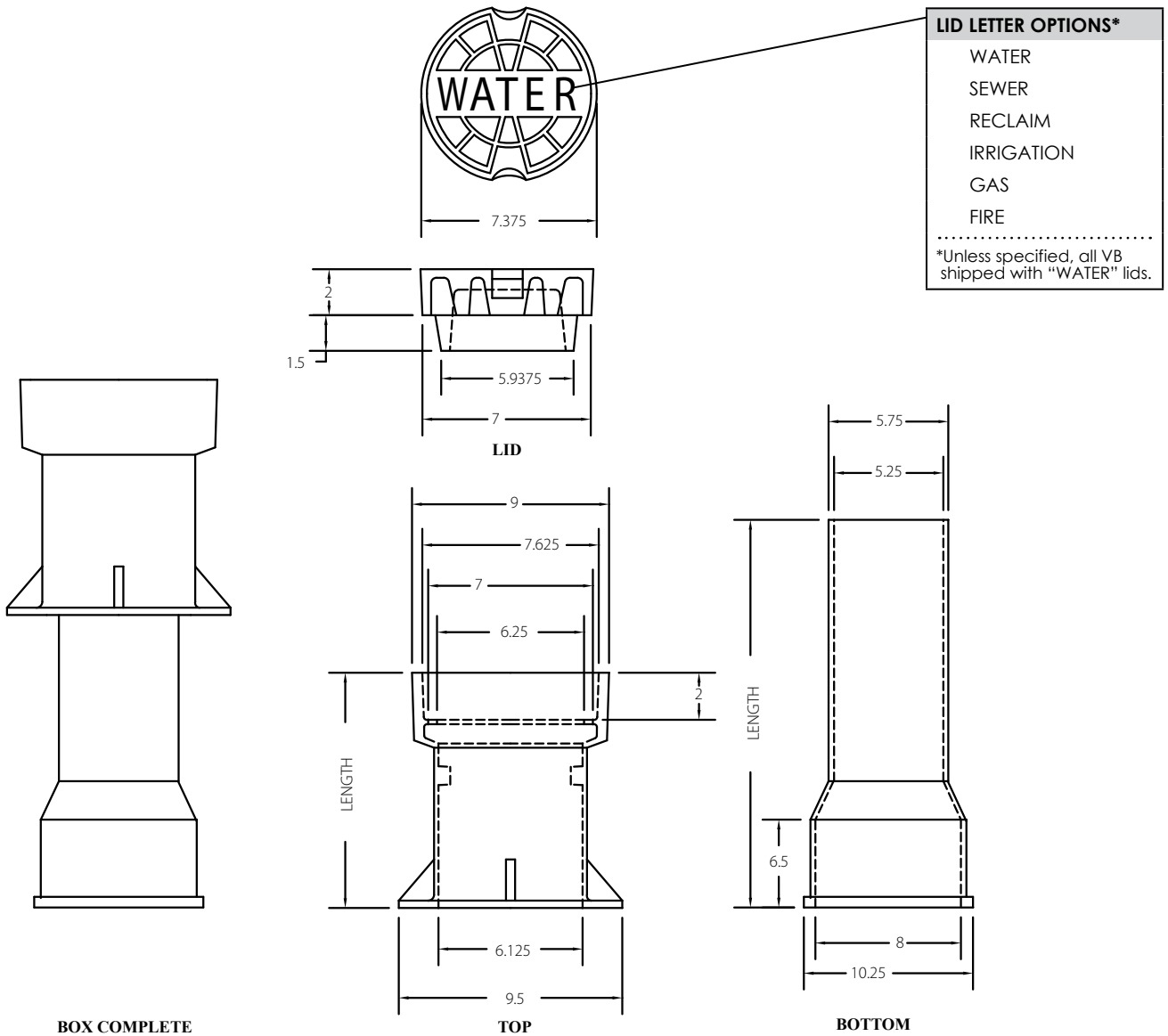
Notes:
 - Material - Cast Iron Per ASTM A48 Class 30B
 - Dimensions in Inches



2 PIECE HEAVY DUTY SLIP TYPE VALVE BOX
VB-0004

ITEM CODE	HEIGHT	APPROX. WT. (LBS)	LENGTH	
			TOP	BOT.
VB562AHD	29-38	80	16	24
VB564AHD	41-51	90	16	36
VB664AHD	41-61	110	26	36
◆VB666AHD	53-73	138	26	48

◆ - Optional bottom (48" one piece or 24" bottom w/ 24" extension) - Please indicate your preference


Notes:

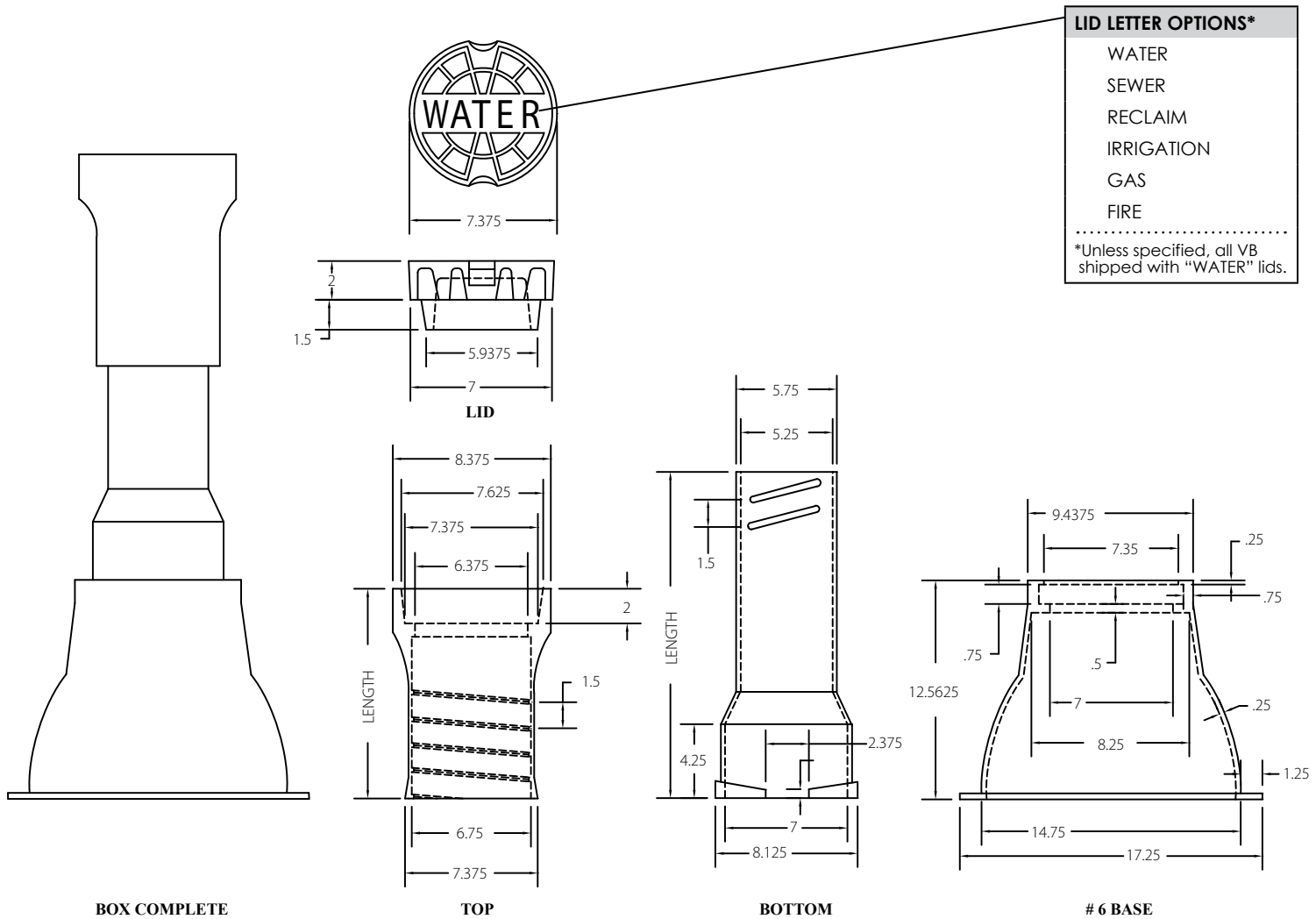
- Material - Cast Iron Per ASTM A48 Class 30B
- Dimensions in Inches



3 PIECE STANDARD SCREW TYPE VALVE BOX

VB-0005

ITEM CODE	HEIGHT	APPROX WT. (LBS)	LENGTH	
			TOP	BOT.
VBAS-3	33-42	109	16	18
VBB	39-49	115	16	24
VBC	45-54	120	16	30



Notes:

- Material - Cast Iron Per ASTM A48 Class 30B
- Dimensions in Inches



3 PIECE HEAVY DUTY SCREW TYPE VALVE BOX

VB-0006

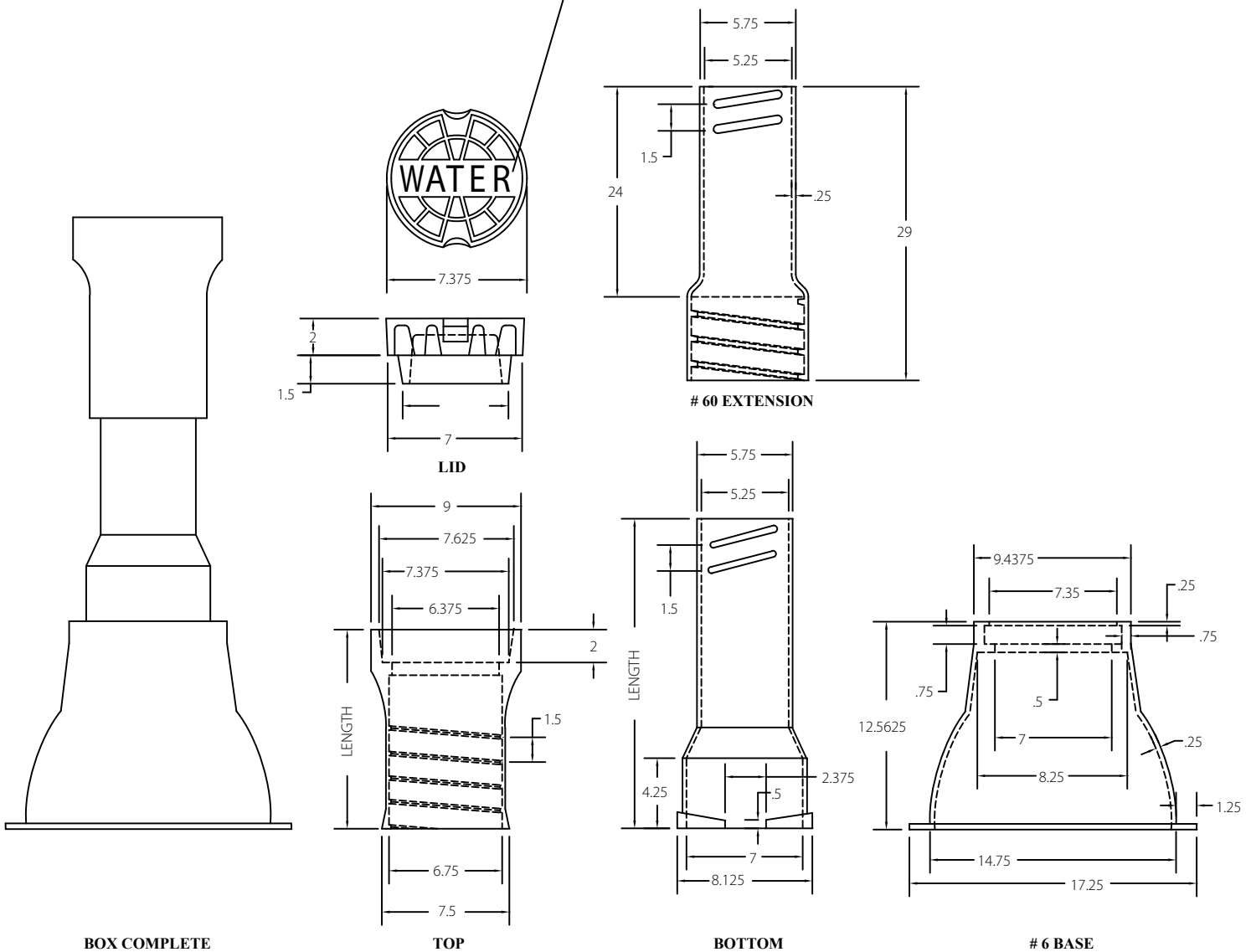
ITEM CODE	HEIGHT	APPROX. WT. (LBS)	LENGTH		
			TOP	BOT.	EXT.
VBASHD	33-42	120	16	18	-
VBBHD	39-49	127	16	24	-
VBCHD	45-54	131	16	30	-
VBCCHD	51-60	133	16	36	-
VBDHD	45-66	146	26	30	-
VBDDHD	51-72	148	26	36	-
◆VBEHD	63-72	158	16	48	◆
◆VBFHD	63-84	178	26	48	◆
VBGHD	74-94	184	26	36	24

◆ - Optional bottom (48" one piece or 24" bottom w/ 24" extension) - Please indicate your preference

LID LETTER OPTIONS*

- WATER
- SEWER
- RECLAIM
- IRRIGATION
- GAS
- FIRE

.....
*Unless specified, all VB shipped with "WATER" lids.



Notes:
- Material - Cast Iron Per ASTM A48 Class 30B
- Dimensions in Inches



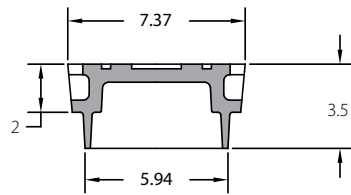
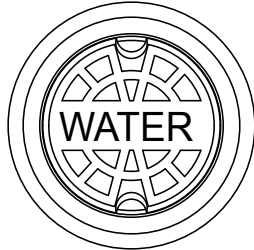
® REGISTERED TRADEMARK OF STAR PIPE PRODUCTS

STAR® PIPE PRODUCTS
HOUSTON CORPORATE | TOLL FREE 1-800-999-3009 | FAX 281-558-9000
www.starpipeproducts.com

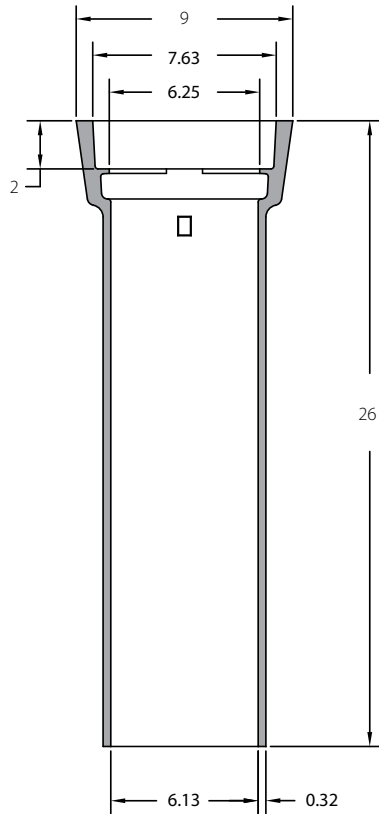
2 PIECE HEAVY DUTY NO FLANGE VALVE BOX - CLASS 35B

VB-0007

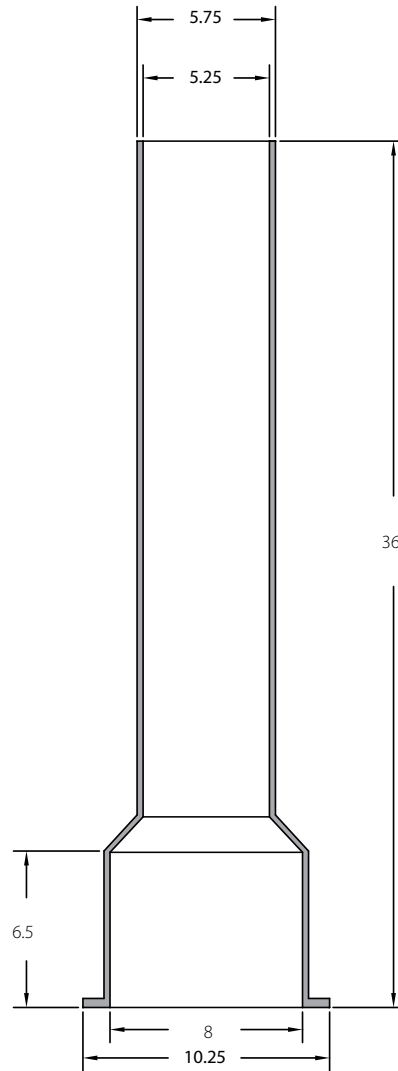
ITEM CODE	APPROX WT. (LBS)
VBNFLG35	109
VBT26AHDNF35 (TOP NO FLANGE)	52
VBB36AHD35	45
VBLIDHD35	12



LID - VBLIDHD35



TOP - VBT26AHDNF35



BOTTOM - VBB36AHD35

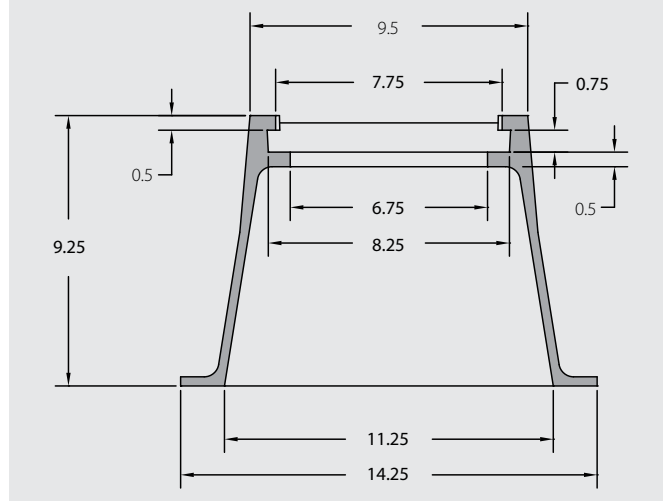
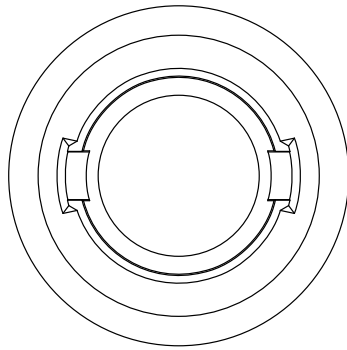
Notes:

- Material - Cast Iron Per ASTM A48 Class 35B
- Dimensions in Inches



#4 VALVE BOX BASE

VB-0008



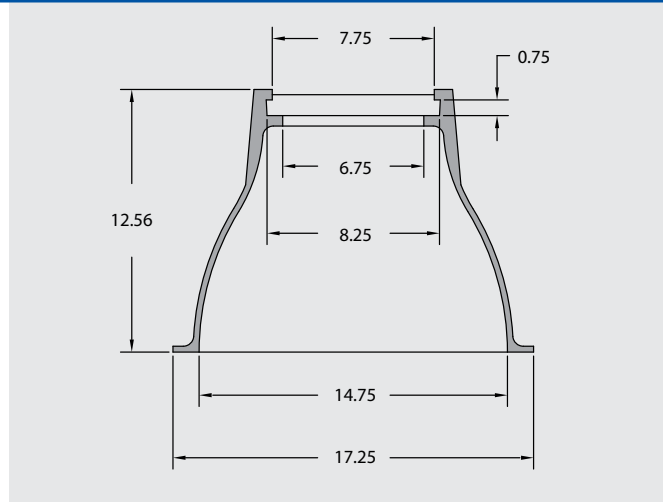
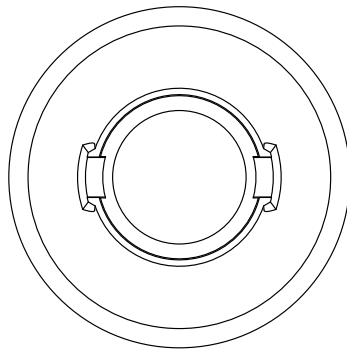
ITEM CODE	APPROX WT. (LBS)
VBBASE#4	35

Notes:

- Material - Cast Iron
Per ASTM A48 Class 30B
- Dimensions in Inches

#6 VALVE BOX BASE

VB-0009



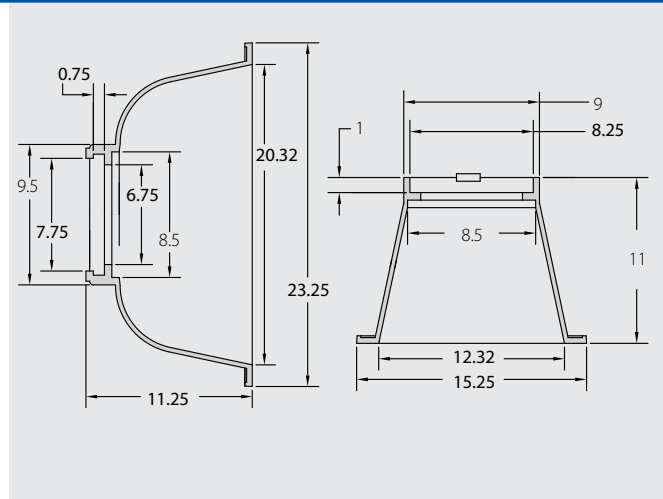
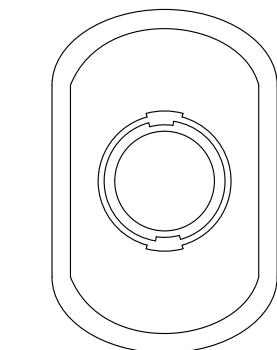
ITEM CODE	APPROX WT. (LBS)
VBBASE#6	45

Notes:

- Material - Cast Iron
Per ASTM A48 Class 30B
- Dimensions in Inches

#160 VALVE BOX BASE (OPTIONAL CLASS 35B)

VB-0010



ITEM CODE	APPROX WT. (LBS)
VBBASE#160	64.5
VBBASE#160CL35	64.5

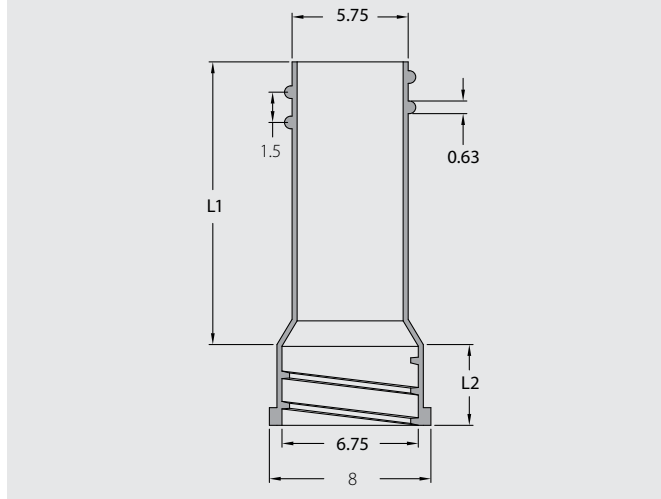
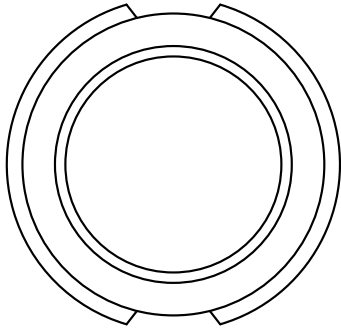
Notes:

- Material - Cast Iron
Per ASTM A48 Class 30B or 35B
- Dimensions in Inches



SCREW TYPE VALVE BOX EXTENSION

VB-0011

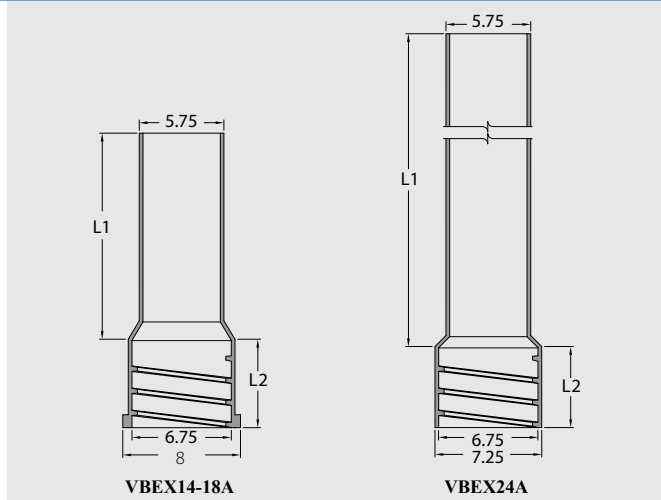
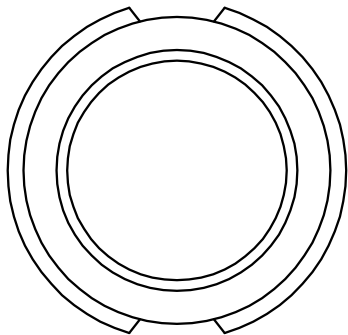


ITEM CODE	DETAILS (L1)	DETAILS (L2)	APPROX. WT. (LBS.)
VBEX12S	12	4	24
VBEX14S	14	4	26
VBEX18S	18	4	31
VBEX20S	20	4	33
VBEX24S	24	4	38

- Notes:**
- Material - Cast Iron Per ASTM A48 Class 30B
 - Dimensions in Inches

SLIP TYPE VALVE BOX EXTENSION

VB-0012

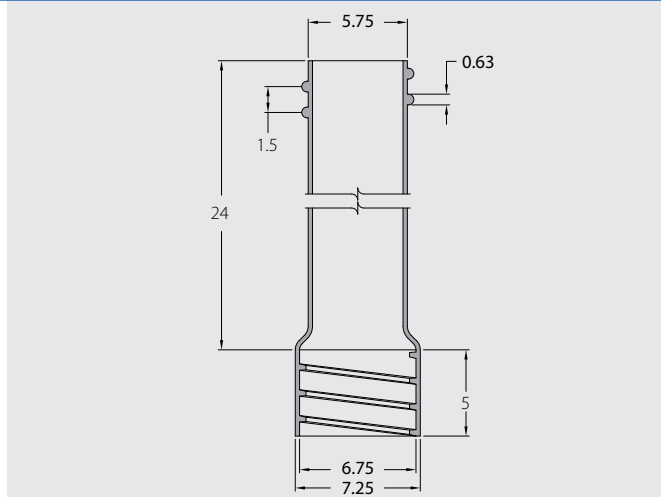
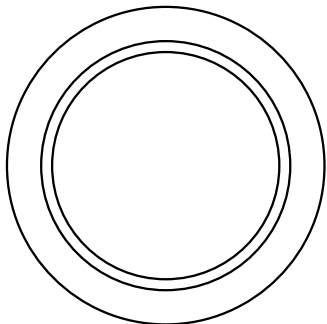


ITEM CODE	L1	L2	APPROX. WT. (LBS.)
VBEX14A	14	6	28
VBEX18A	18	6	33
VBEX24A	24	5.5	38

- Notes:**
- Material - Cast Iron Per ASTM A48 Class 30B
 - Dimensions in Inches

24" #60 HEAVY SCREW TYPE EXTENSION (OPTIONAL CLASS 35B)

VB-0013



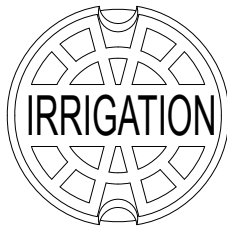
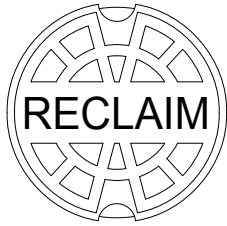
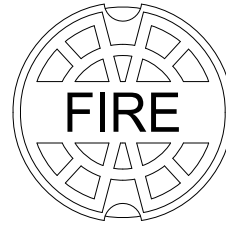
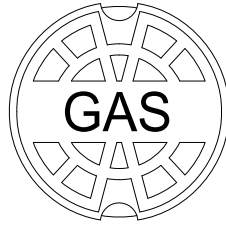
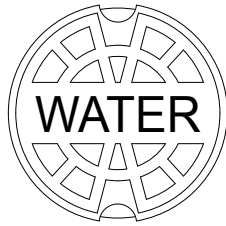
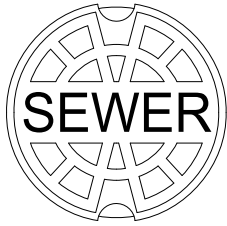
ITEM CODE	APPROX. WT. (LBS.)
VBEX24SHD#60	36
VBEX24SHD#60CL35	36

- Notes:**
- Material - Cast Iron Per ASTM A48 Class 30B or 35B
 - Dimensions in Inches

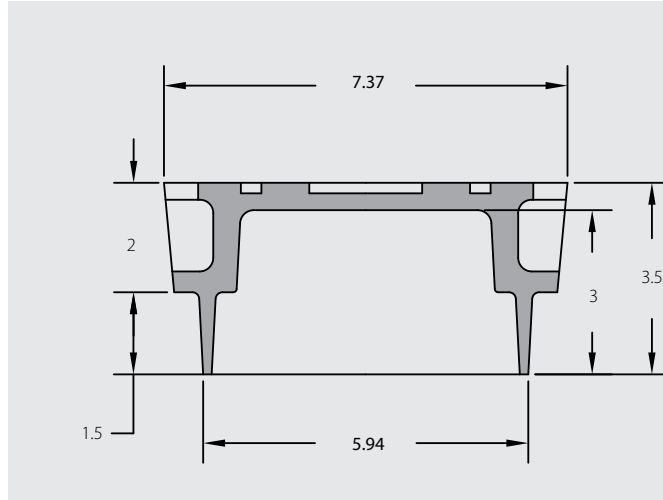


5 1/4" LID STANDARD

VB-0014



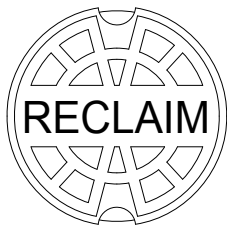
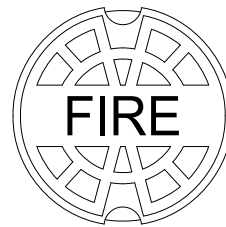
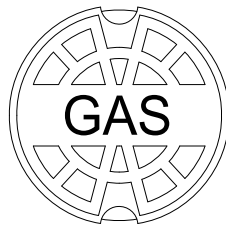
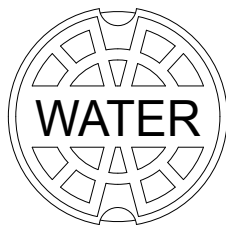
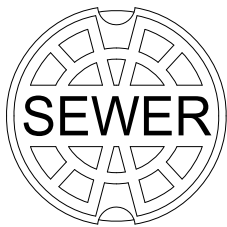
ITEM CODE	DETAILS	APPROX WT. (LBS.)
VBLIDS	SEWER	9.3
VBLIDW	WATER	9.3
VBLGAS	GAS	9.3
VBLIDF	FIRE	9.3
VBLIDRW	RECLAIM	9.3
VBLIDIRR	IRRIGATION	9.3



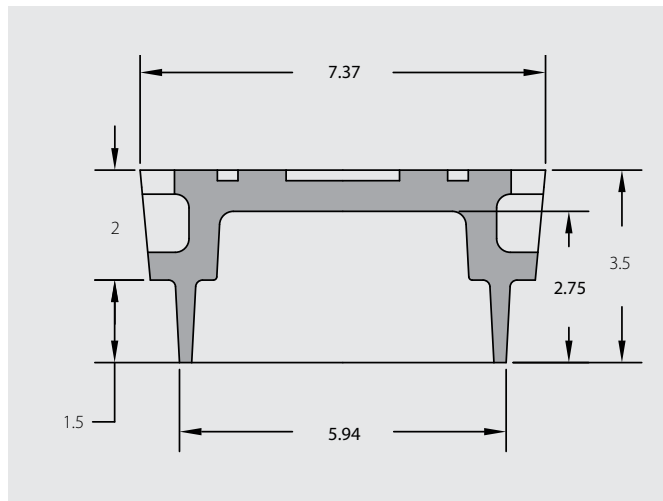
Notes:
 - Material - Cast Iron
 Per ASTM A48 Class 30B
 - Dimensions in Inches

5 1/4" LID HEAVY DUTY

VB-0015



ITEM CODE	DETAILS	APPROX WT. (LBS.)
VBLIDSHD	SEWER	12.25
VBLIDHD	WATER	12.25
VBLIDGASHD	GAS	12.25
VBLIDFHD	FIRE	12.25
VBLIDRWHD	RECLAIM	12.25
VBLIDRRHD	IRRIGATION	12.25

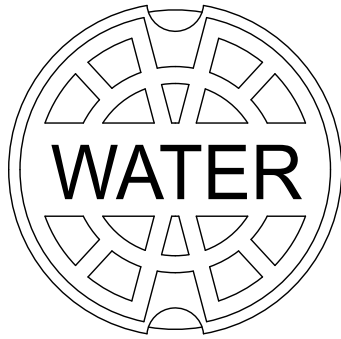


Notes:
 - Material - Cast Iron
 Per ASTM A48 Class 30B
 - Dimensions in Inches

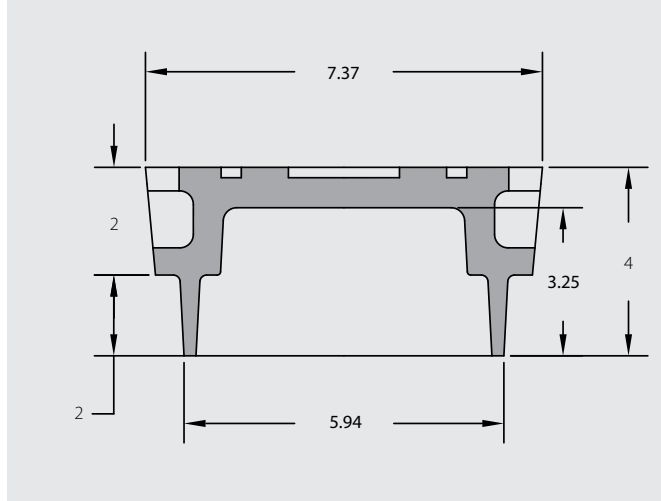


5 1/4" WATER LID HEAVY DUTY W/ 2" SKIRT

VB-0016



- Notes:**
- Material - Cast Iron
Per ASTM A48 Class 30B
 - Dimensions in Inches



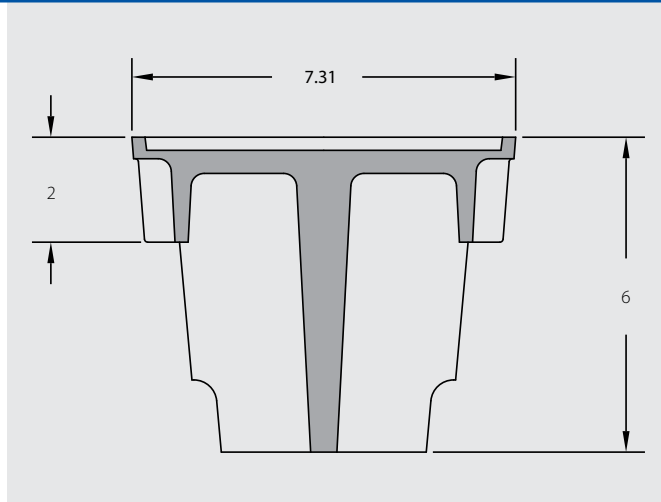
ITEM CODE	APPROX WT. (LBS.)
VBLIDHD2	14

5 1/4" WATER LID HEAVY DUTY W/ 4" VANES

VB-0017



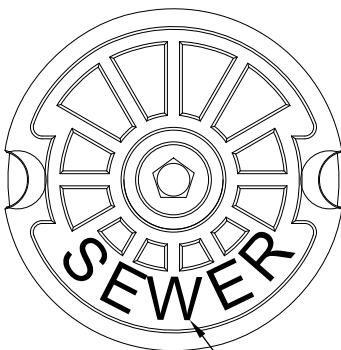
- Notes:**
- Material - Cast Iron
Per ASTM A48 Class 30B
 - Dimensions in Inches



ITEM CODE	APPROX WT. (LBS.)
VBLIDLV	16.5

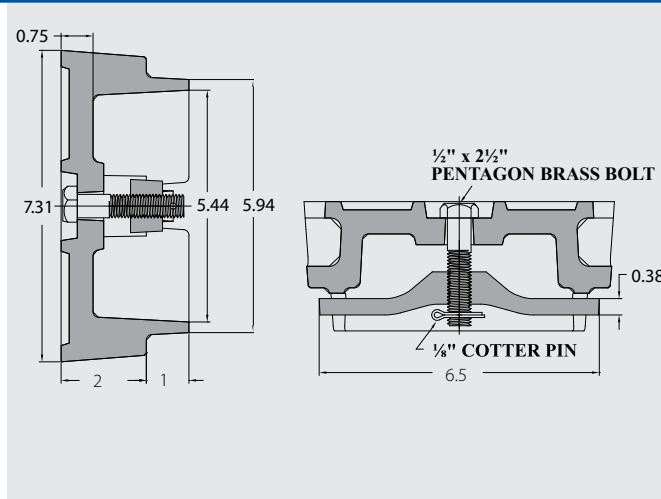
LOCKING LID

VB-0018



SEE DETAILS FOR OPTIONAL LETTERING

- Notes:**
- Material - Cast Iron
Per ASTM A48 Class 30B
 - Dimensions in Inches

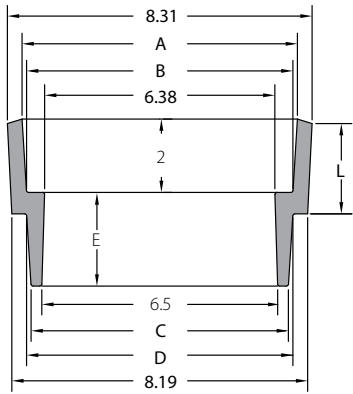


ITEM CODE	DETAILS	APPROX WT. (LBS.)
VBLIDLOCKS	SEWER	14.5
VBLIDLOCK	WATER	14.5



5 1/4" VALVE BOX RISER

VB-0019



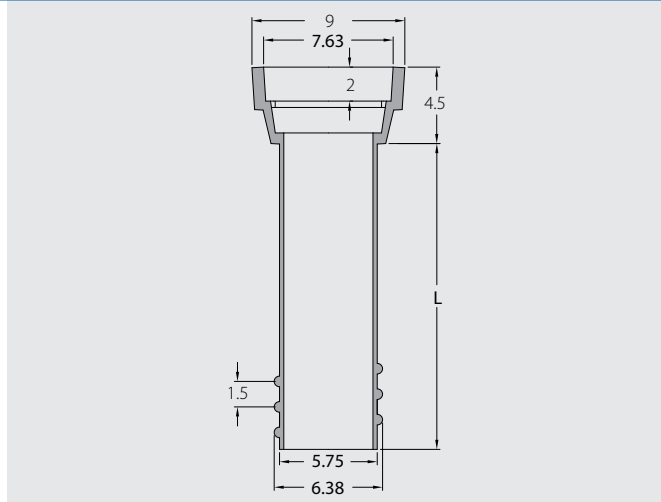
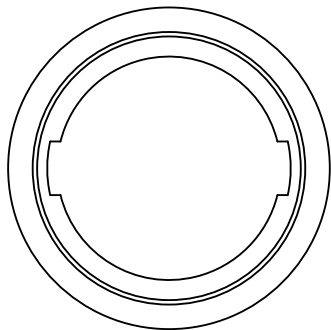
ITEM CODE	SIZE E	L	A	B	C	D	APPROX WT. (LBS.)
VBR1	1	0.88	7.44	7.09	7.19	7.5	5.6
VBR1.5	1 1/2	1.38	7.44	7.09	7.19	7.5	8.3
VBR2	2	1.25	7.44	7.09	7.19	7.5	9.2
VBR2.5	2 1/2	2.25	7.63	7.38	7.19	7.38	11.5
VBR3	3	2.25	7.63	7.38	7.19	7.38	12.6
VBR4	4	2.25	7.63	7.38	7.19	7.38	14.9
VBR5	5	2.25	7.63	7.38	7.19	7.38	17.2
VBR6	6	2.25	7.63	7.38	7.19	7.38	19.5
VBR8	8	2.25	7.63	7.38	7.19	7.38	24.2

Notes:

- Material - Cast Iron
Per ASTM A48 Class 30B
- Dimensions in Inches

ADJUSTABLE VALVE BOX RISER

VB-0020



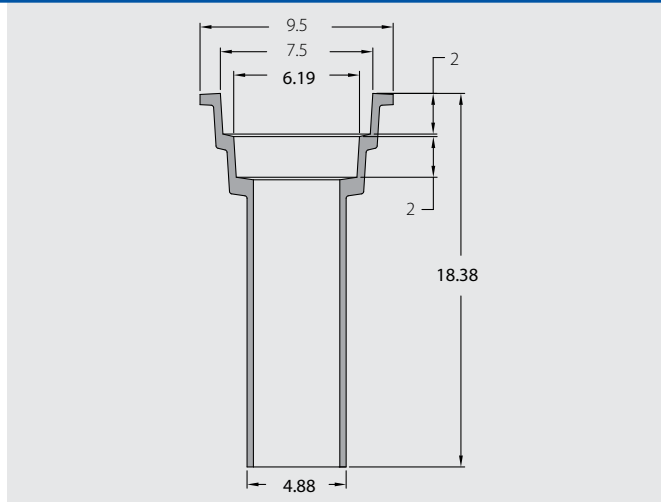
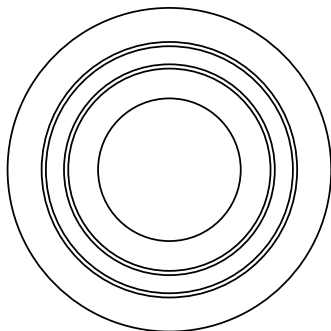
ITEM CODE	DETAILS "L"	APPROX WT. (LBS.)
VBAR05	8	29
VBAR07	10	31
VBAR09	12	33
VBAR12	15	37
VBAR15	18	40
VBAR24	27	50

Notes:

- Material - Cast Iron
Per ASTM A48 Class 30B
- Dimensions in Inches

1.5" SLIP TYPE ADJUSTABLE VALVE BOX RISER CLASS 35B

VB-0021



ITEM CODE	DETAILS	APPROX WT. (LBS.)
VBAR15A35	COMPLETE	33

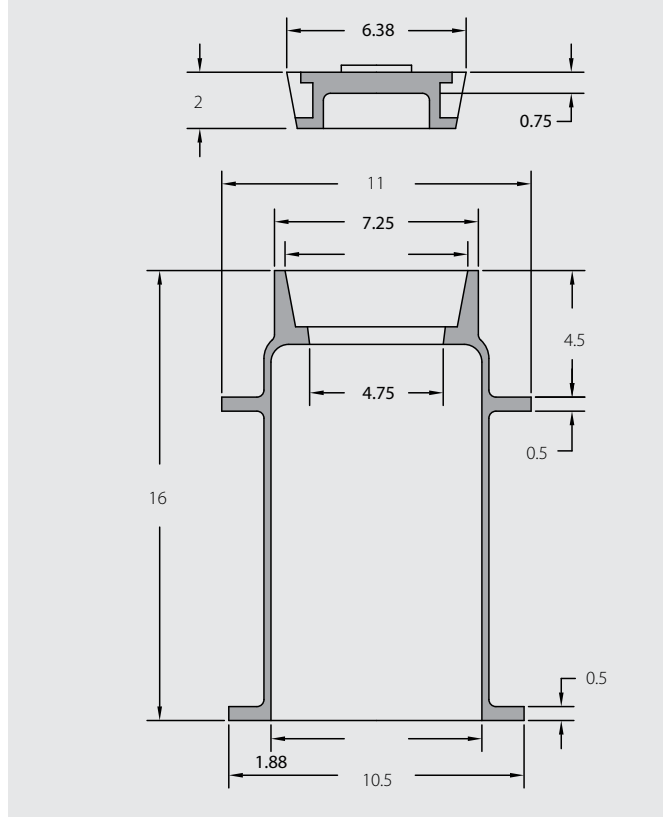
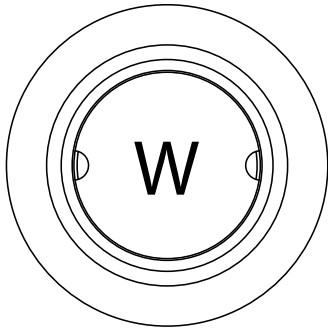
Notes:

- Material - Cast Iron
Per ASTM A48 Class 35B
- Dimensions in Inches



CITY OF HOUSTON "A" TYPE STANDARD VALVE BOX CLASS 35B

VB-0022



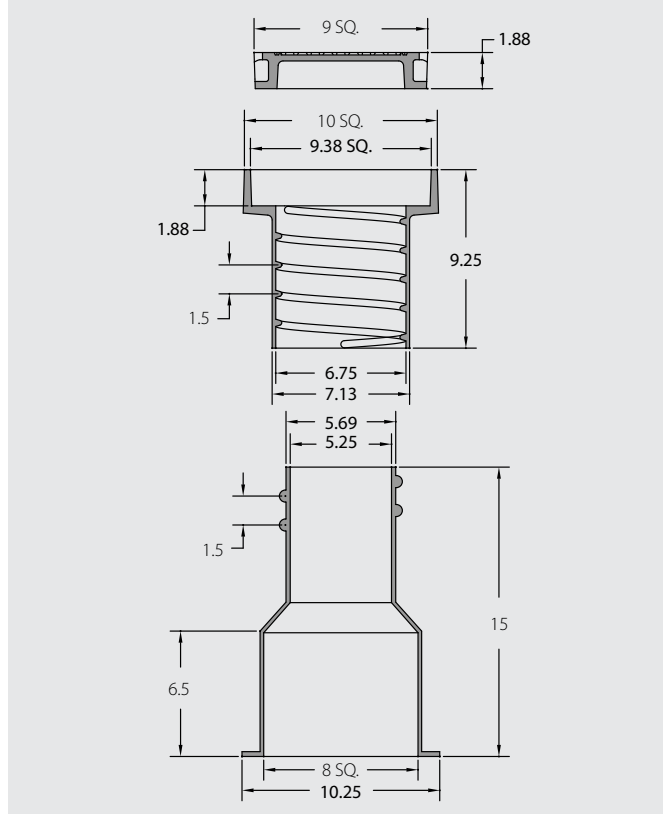
ITEM CODE	DETAILS	APPROX. WT. (LBS.)
VBA	COMPLETE	56
VBAL	LID	10
VBAB	BOTTOM	46

Notes:

- Material - Cast Iron
- Per ASTM A48 Class 35B
- Dimensions in Inches

FLORIDA RECLAIMED VALVE BOX

VB-0023



ITEM CODE	DETAILS	APPROX. WT. (LBS.)
VBFLRW	COMPLETE	57
VBFLRWL	LID	13
VBFLRWT	TOP	23
VBFLRWB	BOTTOM	21

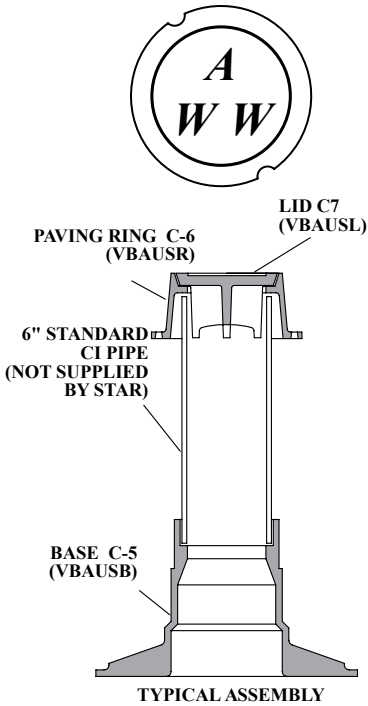
Notes:

- Material - Cast Iron
- Per ASTM A48 Class 30B
- Dimensions in Inches

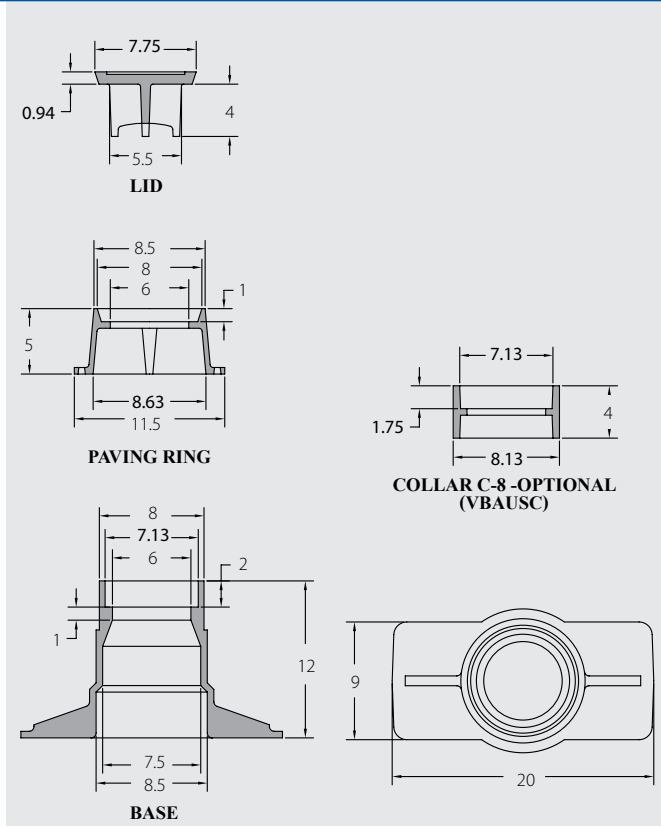


AUSTIN VALVE BOX

VB-0024



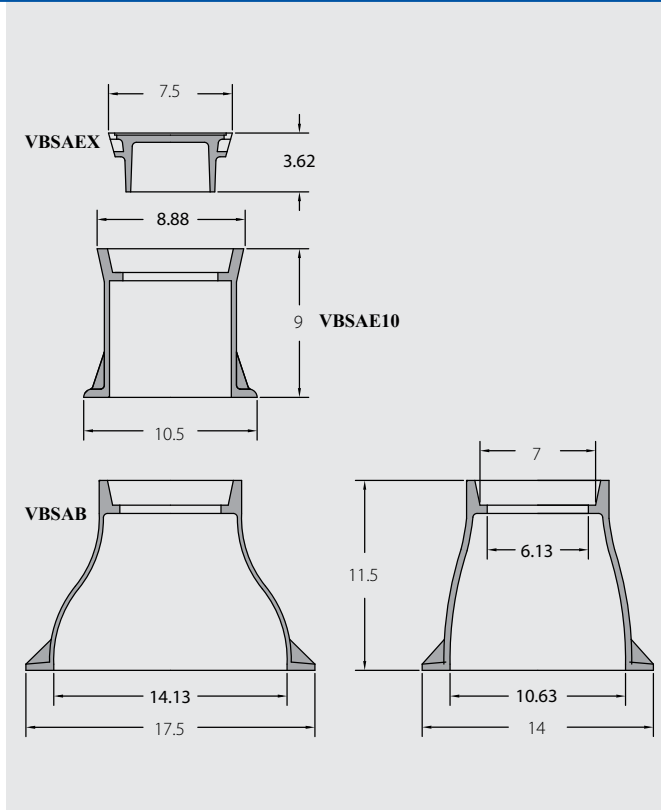
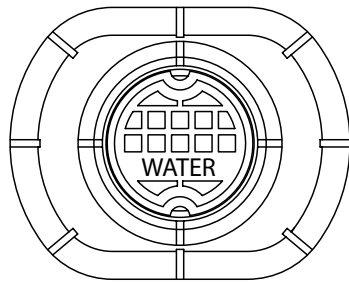
- Notes:**
- Material - Cast Iron
Per ASTM A48 Class 30B
 - Dimensions in Inches



ITEM CODE	DETAILS	APPROX. WT. (LBS)
VBAUS	COMPLETE	100
VBAUSL	LID	15
VBAUSB	BASE	62
VBAUSR	RING	23
VBAUSC	COLLAR	15

SAN ANTONIO VALVE BOX

VB-0025



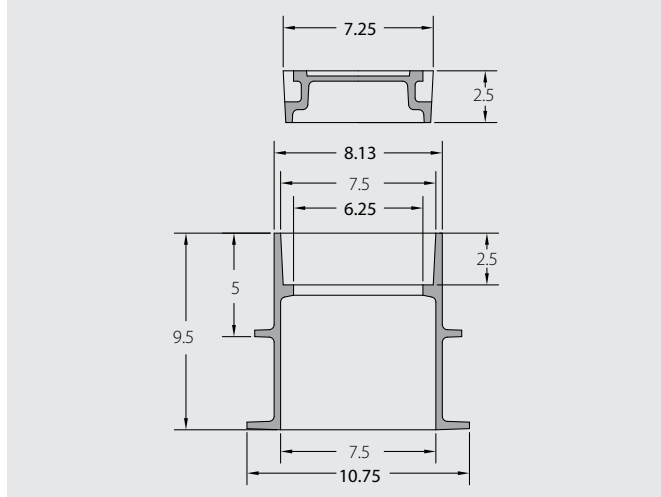
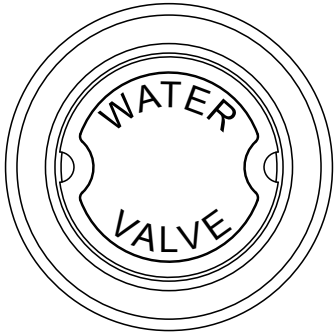
- Notes:**
- Material - Cast Iron
Per ASTM A48 Class 30B
 - Dimensions in Inches

ITEM CODE	DETAILS	APPROX. WT. (LBS)
VBSA-3	COMPLETE	97
VBSAE10	EXTENSION	29
VBSAEX	LID	13
VBSAB	BOTTOM	55



DALLAS VALVE BOX (SHORTY)

VB-0026

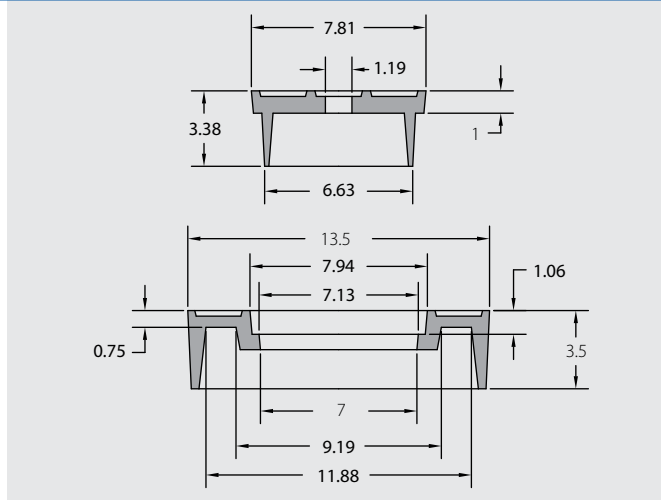
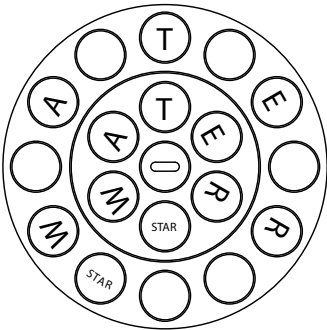


ITEM CODE	DETAILS	APPROX. WT. (LBS.)
VBDALLAS	COMPLETE	35.5
VBDALLASL	LID	8
VBDALLASB	BOTTOM	27.5

- Notes:**
- Material - Cast Iron
Per ASTM A48 Class 30B
 - Dimensions in Inches

ALBUQUERQUE VALVE BOX

VB-0027

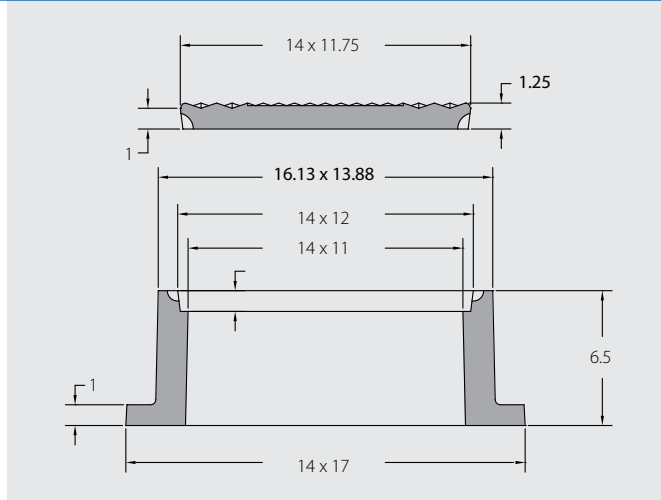
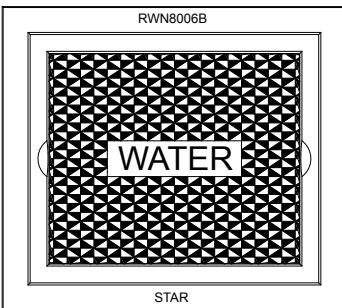


ITEM CODE	DETAILS	APPROX. WT. (LBS.)
VBALB	COMPLETE	53
VBALBL	LID	15
VBALBR	BOTTOM	38

- Notes:**
- Material - Cast Iron
Per ASTM A48 Class 30B
 - Dimensions in Inches

ROADWAY TYPE NASHVILLE STANDARD

VB-0028



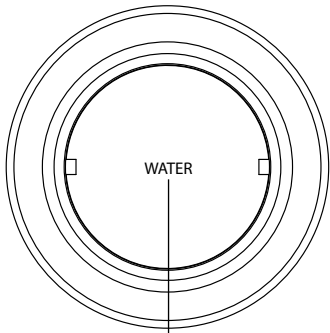
ITEM CODE	DETAILS	APPROX. WT. (LBS.)
RWN8006	COMPLETE	195
RWN8006L	LID	45
RWN8006B	BOTTOM	150

- Notes:**
- Material - Cast Iron
Per ASTM A48 Class 30B
 - Dimensions in Inches

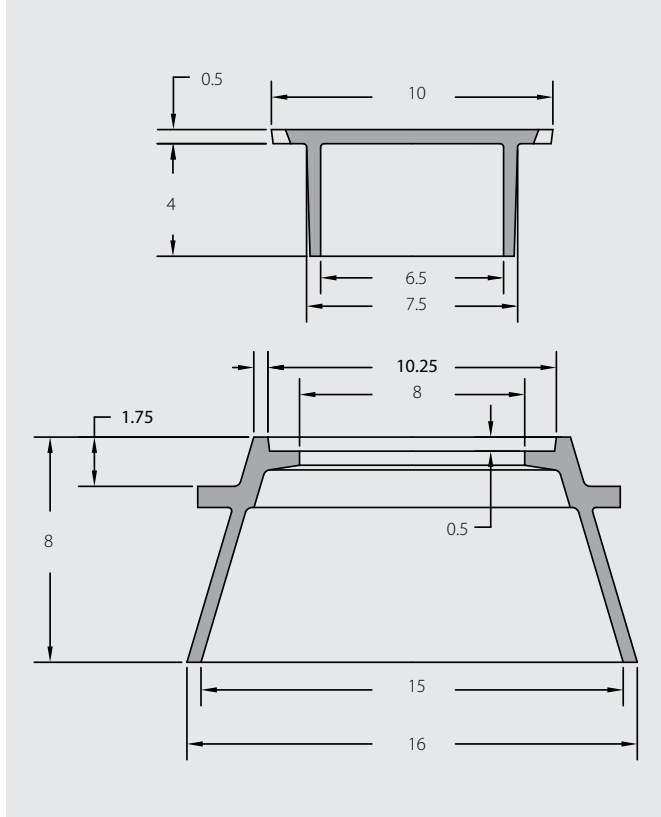


DETAIL 198 VALVE BOX

VB-0029



LID LETTER OPTIONS	
WATER	
SEWER	
SURVEY	
*Unless specified, all VB shipped with "WATER" lids.	

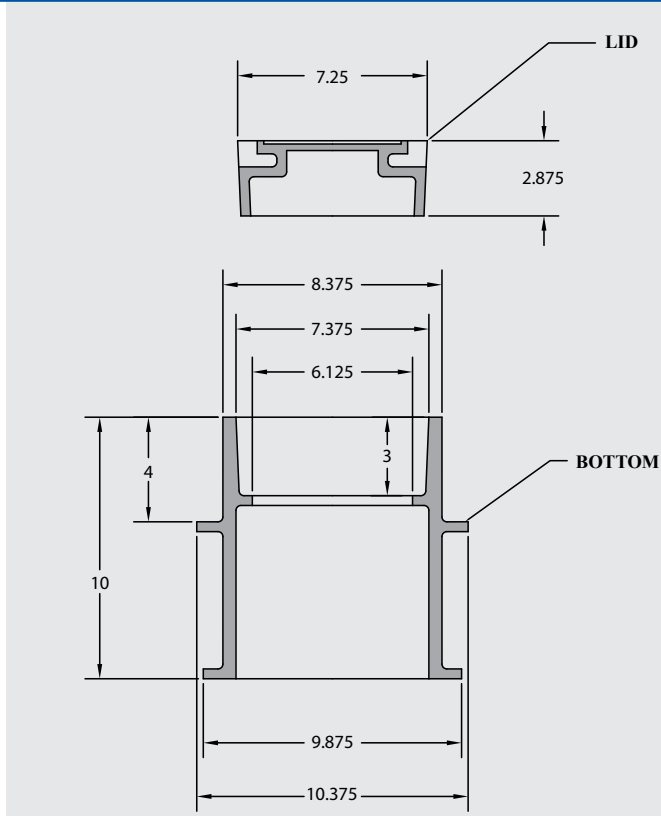
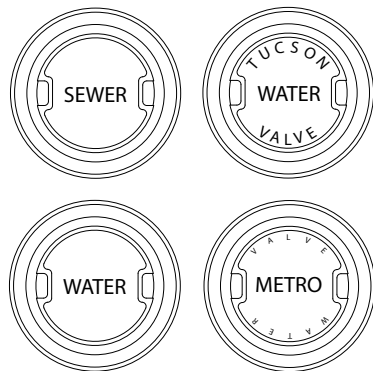


ITEM CODE	DETAILS	APPROX. WT. (LBS.)
VBDTL198	COMPLETE	63
VBDTL198L	WATER LID	16
VBDTL198LSE	SEWER LID	16
VBDTL198LSU	SURVEY LID	16
VBDTL198B	BASE	47

- Notes:**
- Material - Cast Iron
 - Per ASTM A48 Class 30B
 - Dimensions in Inches

TUCSON VALVE BOX

VB-0030



ITEM CODE	DETAILS	APPROX. WT. (LBS.)
VBTUSANPS	SEWER	50
VBTUSANPW	WATER	50
VBTUSAN	TUCSON	50
VBTUSANM	METRO	50

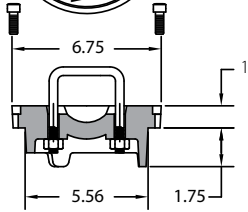
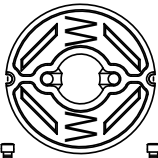
- Notes:**
- Material - Cast Iron
 - Per ASTM A48 Class 30B
 - Dimensions in Inches



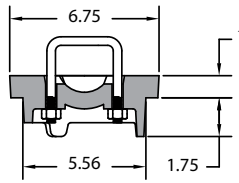
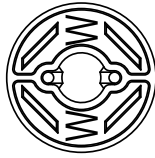
045 VALVE BOX

VB-0031

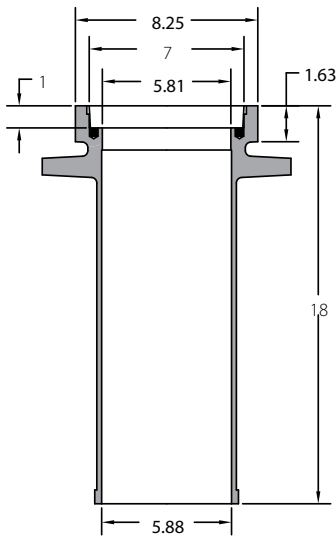
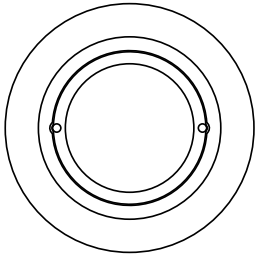
ITEM CODE	DETAILS	APPROX WT. (LBS)
VBST045	NON-LOCKING COMPLETE	88
VBST045L	NON-LOCKING LID	10
VBST045T	NON-LOCKING TOP	43
VBST045WT	LOCKING COMPLETE	88
VBST045LWT	LOCKING LID	10
VBST045TWT	LOCKING TOP	43
VBST940B	BOTTOM	35



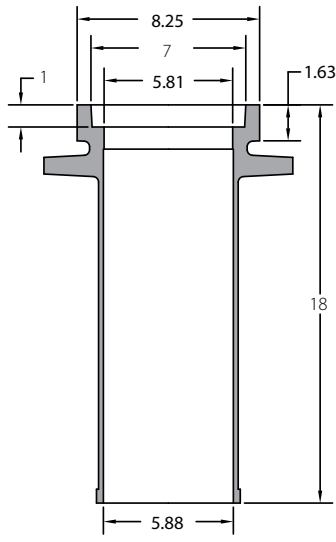
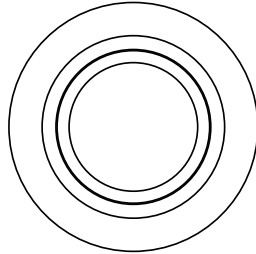
LOCKING LID



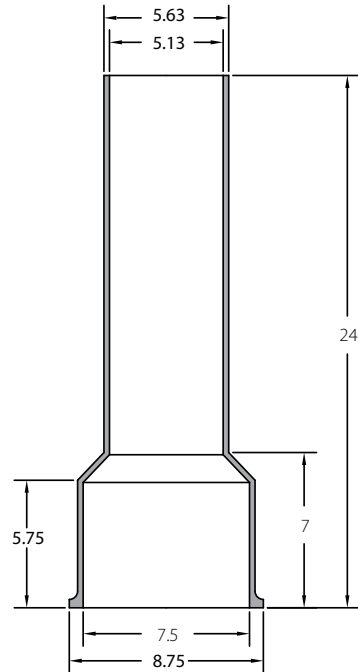
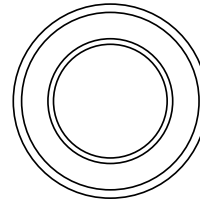
NON-LOCKING LID



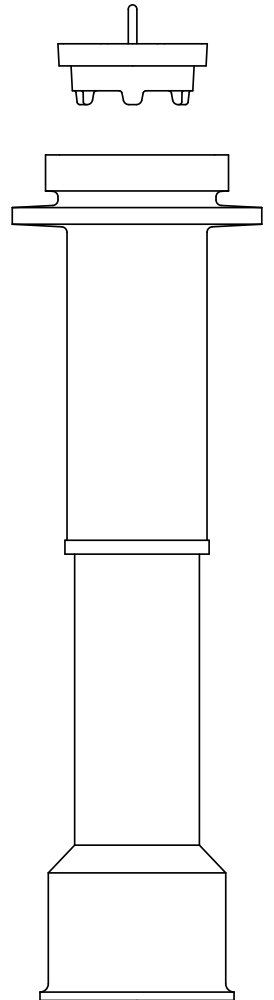
LOCKING TOP



NON-LOCKING TOP



BOTTOM

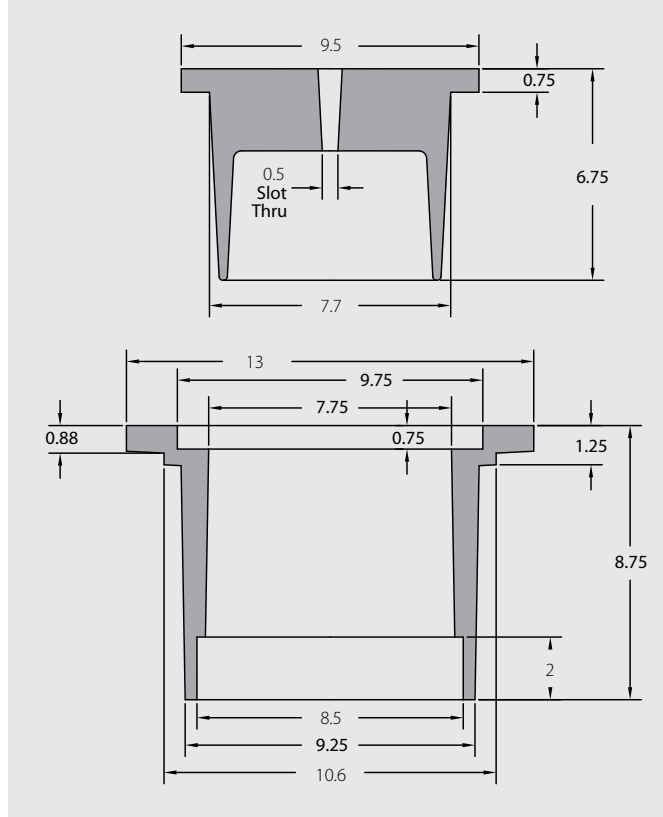
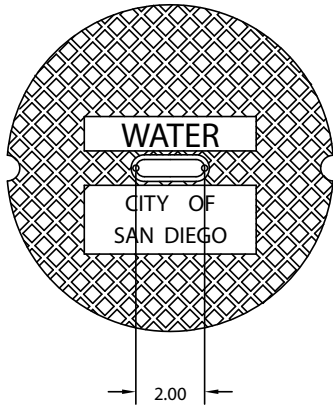


- Notes:**
- Material - Cast Iron
 - Per ASTM A48 Class 30B
 - Dimensions in Inches



SAN DIEGO VALVE BOX

VB-0032

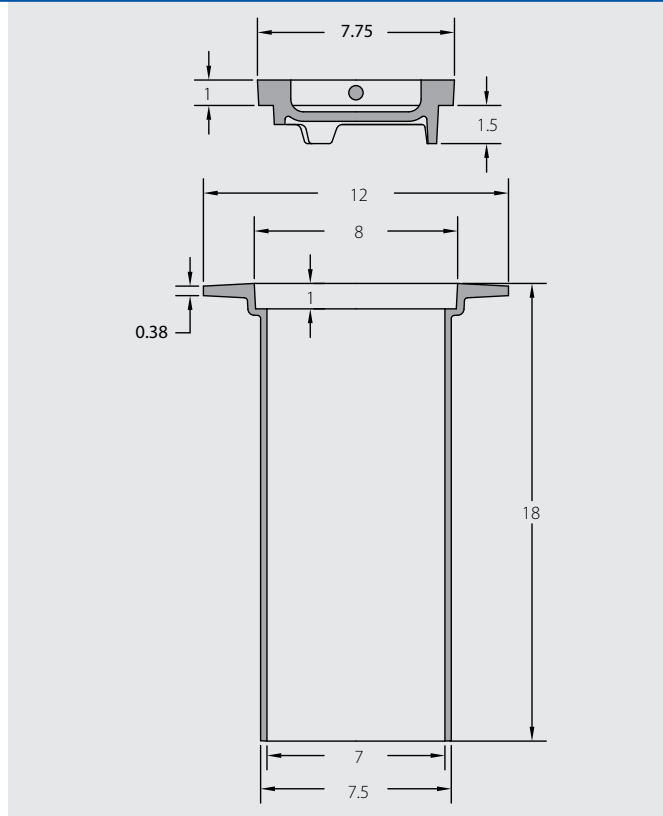
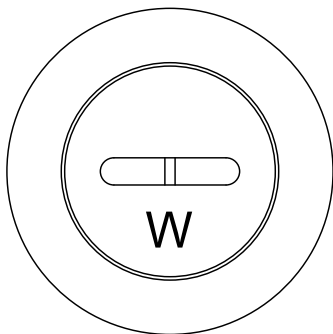


ITEM CODE	DETAILS	APPROX. WT. (LBS.)
VBSDIEGO	COMPLETE	94

- Notes:**
 - Material - Cast Iron
 Per ASTM A48 Class 30B
 - Dimensions in Inches

910 VALVE BOX

VB-0033



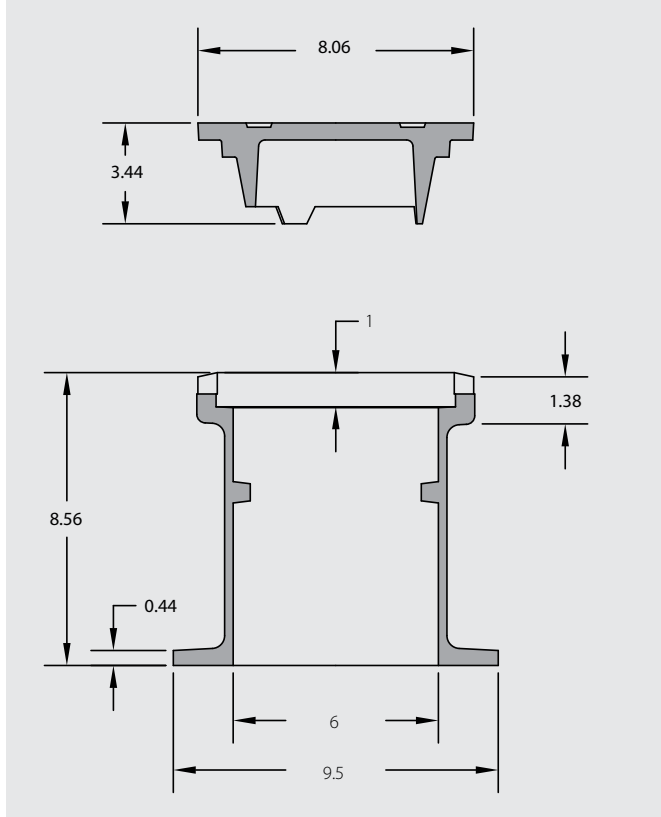
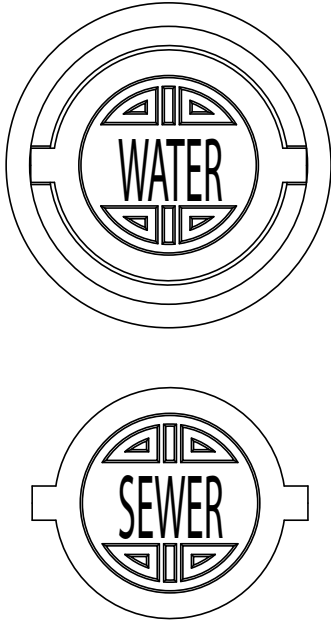
ITEM CODE	DETAILS	APPROX. WT. (LBS.)
VBST910	COMPLETE	56
VBST910L	LID	14
VBST910-18T	TOP	42

- Notes:**
 - Material - Cast Iron
 Per ASTM A48 Class 30B
 - Dimensions in Inches



940 8" VALVE BOX

VB-0034

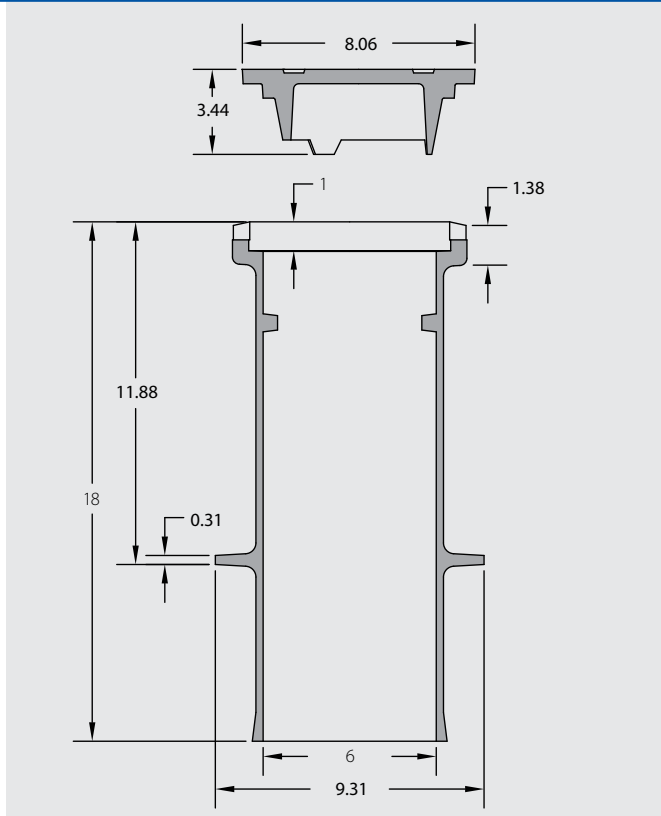
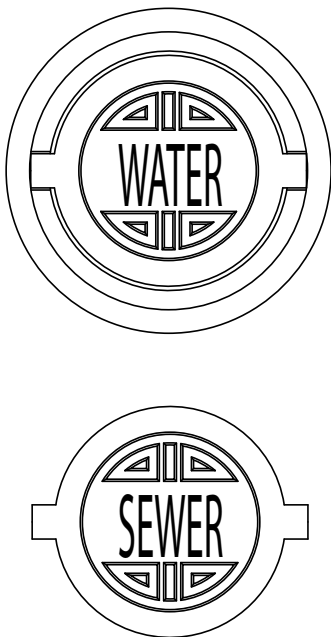


ITEM CODE	DETAILS	APPROX WT. (LBS.)
VBST940-8W	COMPLETE WATER	34.5
VBST940-8S	COMPLETE SEWER	30.5

- Notes:**
 - Material - Cast Iron
 Per ASTM A48 Class 30B
 - Dimensions in Inches

940 18" VALVE BOX

VB-0035



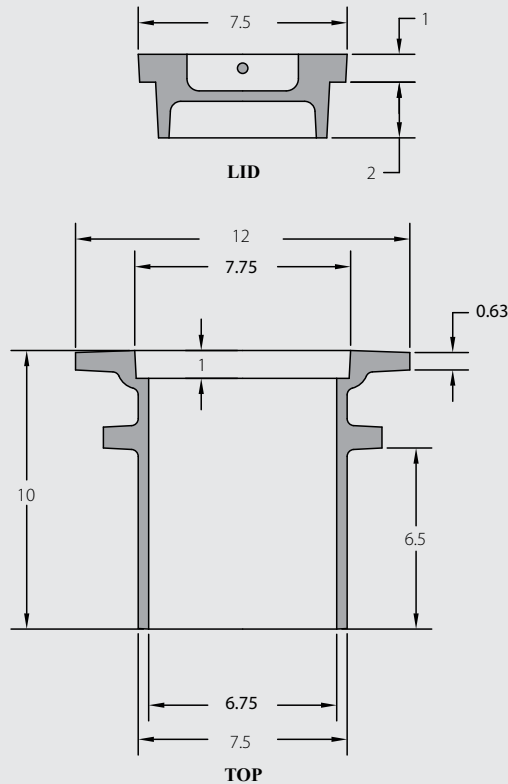
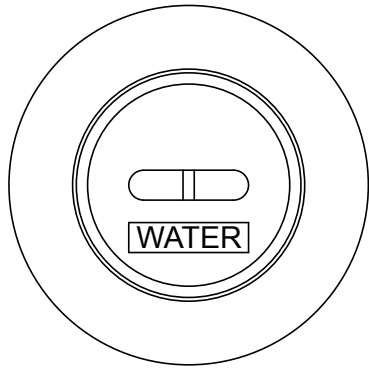
ITEM CODE	DETAILS	APPROX WT. (LBS.)
VBST940-18W	COMPLETE WATER	42.5
VBST940-18S	COMPLETE SEWER	42.5
VBST940-18T	TOP ONLY	30
VBST940L	WATER LID	12.5
VBST940LS	SEWER LID	12.5

- Notes:**
 - Material - Cast Iron
 Per ASTM A48 Class 30B
 - Dimensions in Inches



950 VALVE BOX

VB-0036

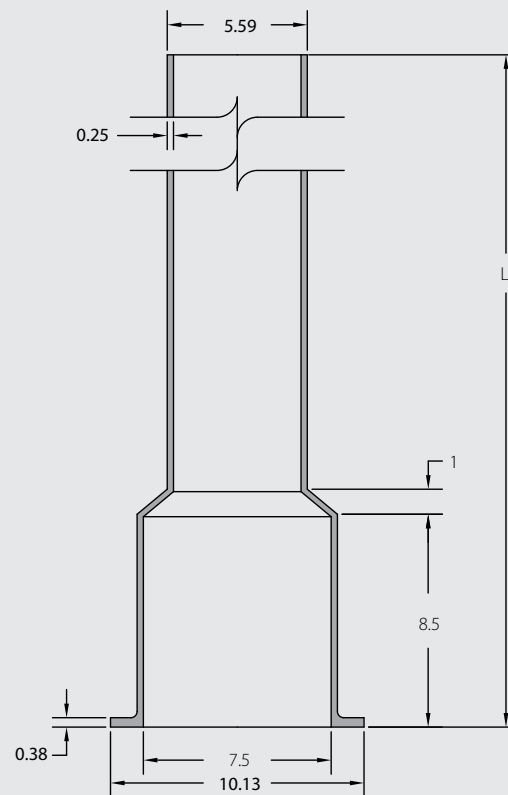
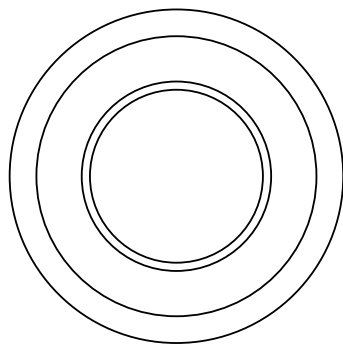


ITEM CODE	DETAILS	APPROX. WT. (LBS.)
VBST950	COMPLETE	55
VBST950L	LID	15
VBST950-10T	TOP	40

- Notes:**
- Material - Cast Iron
 - Per ASTM A48 Class 30B
 - Dimensions in Inches

DEEP WELL VALVE BOX BOTTOM

VB-0037



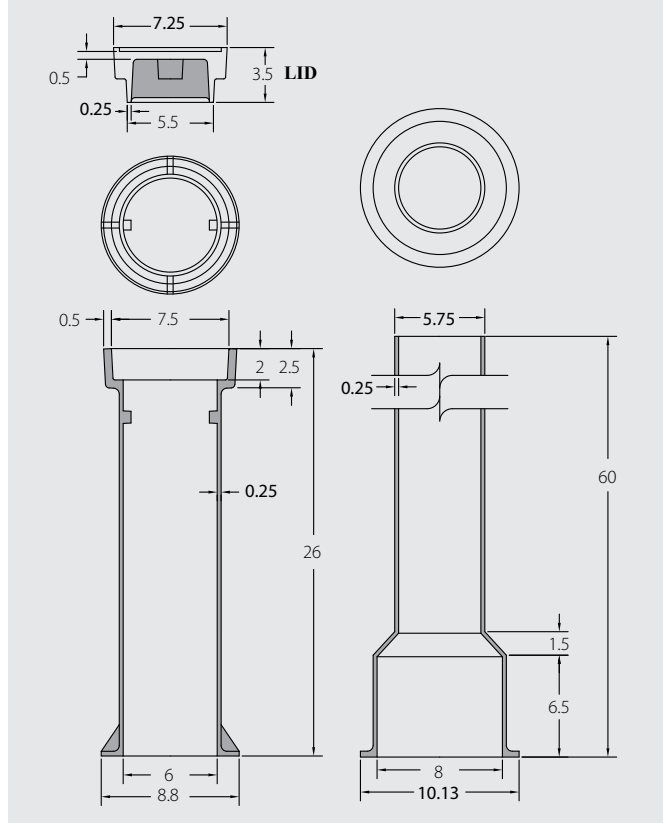
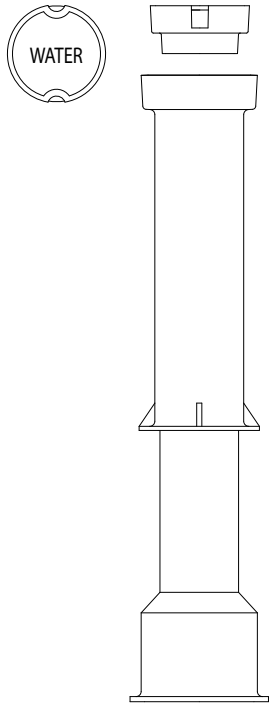
ITEM CODE	DETAILS (L)	APPROX. WT. (LBS.)
VBB24DW	24	40
VBB30DW	30	45
VBB36DW	36	50
VBB42DW	42	55

- Notes:**
- Material - Cast Iron
 - Per ASTM A48 Class 30B
 - Dimensions in Inches



CLEVELAND VALVE BOX

VB-0038

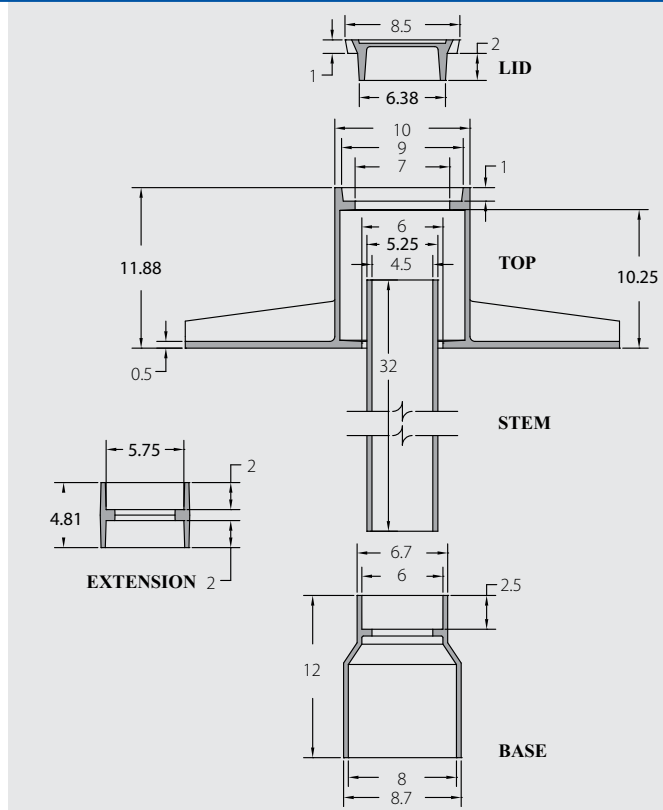
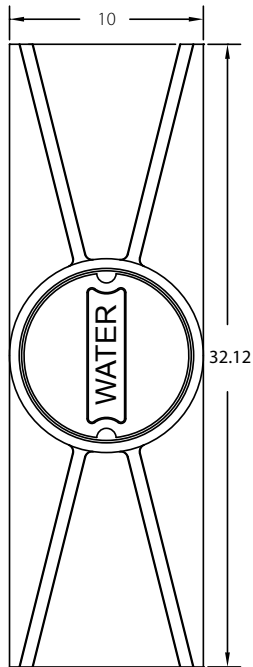


ITEM CODE	DETAILS	APPROX. WT. (LBS)
VBCL	COMPLETE	131
VBCLL	LID	17
VBCLT	TOP	38
VBCLB	BOTTOM	76

- Notes:**
- Material - Cast Iron
Per ASTM A48 Class 30B
 - Dimensions in Inches

COLUMBUS HEAVY DUTY VALVE BOX

VB-0039



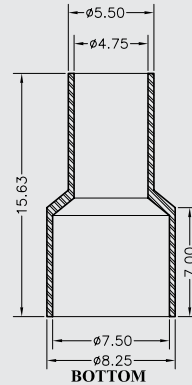
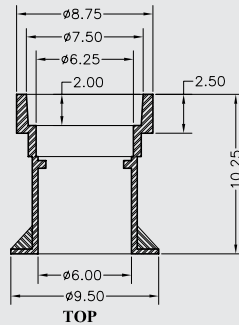
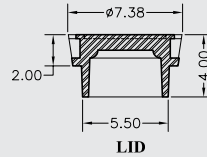
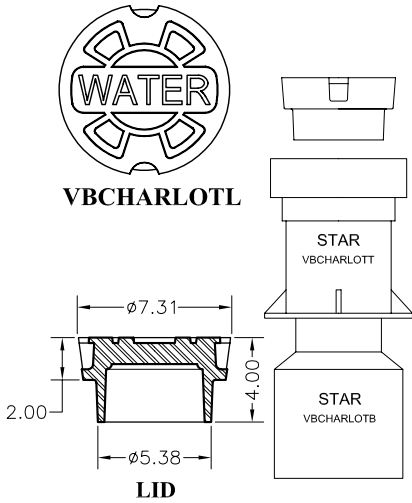
ITEM CODE	DETAILS	APPROX. WT. (LBS)
VBCOLUMBUS	COMPLETE	184
VBCOLLID	LID	15
VBCOLTOP	TOP	95
VBCOLSTEM	STEM	46
VBCOLEXT	EXTENSION	11
VBCOLBASE	BASE	28

- Notes:**
- Material - Cast Iron
Per ASTM A48 Class 30B
 - Dimensions in Inches



CHARLOTTE VB

VB-0040

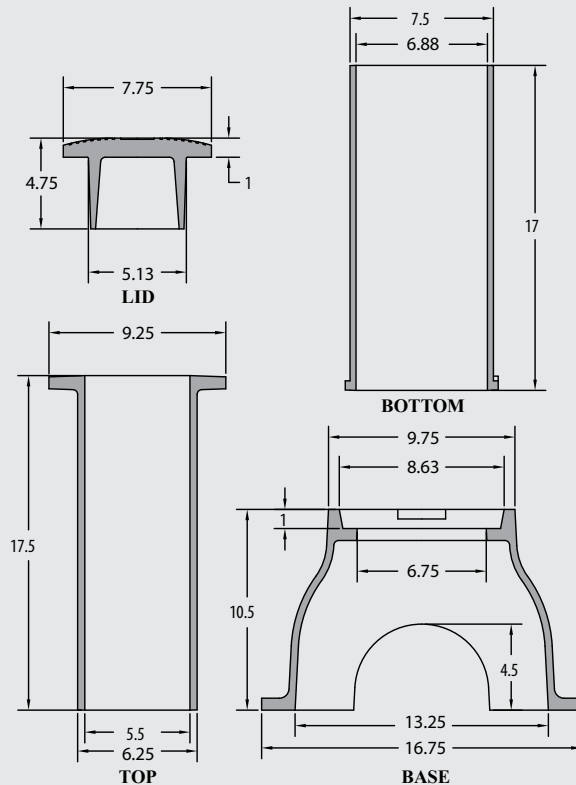
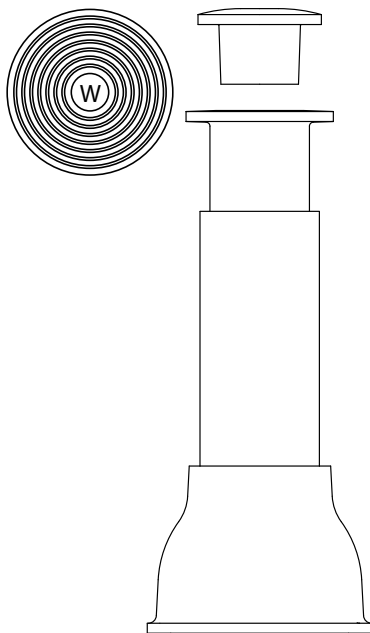


ITEM CODE	DETAILS	APPROX. WT. (LBS.)
VBCHARLOT	COMPLETE	84
VBCHARLOTL	LID WATER	19
VBLCMUDW	WATER	19
VBLCMUDS	SEWER	19
VBLCMUDR	RECLAIM	19
VBCHARLOTT	TOP	31
VBCHARLOTB	BOTTOM	34

- Notes:**
- Material - Cast Iron
 - Per ASTM A48 Class 35B
 - Dimensions in Inches

3 PIECE 708A VALVE BOX

VB-0041



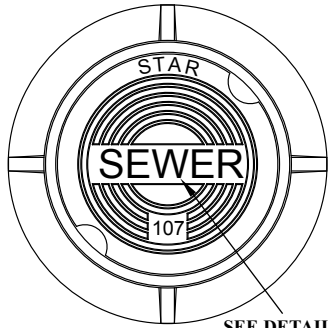
ITEM CODE	DETAILS	APPROX. WT. (LBS)
VB708A	COMPLETE "W"	131.25
VBL708W	LID "W"	16.25
VBT708A	TOP	37
VBB708A	BOTTOM	31
VBBASE708	BASE	47

- Notes:**
- Material - Cast Iron
 - Per ASTM A48 Class 30B
 - Dimensions in Inches



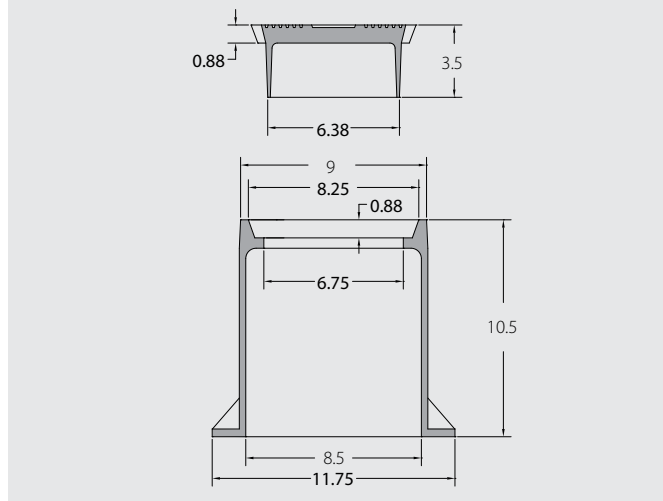
107 VALVE BOX

VB-0042



SEE DETAILS FOR OPTIONAL LETTERING

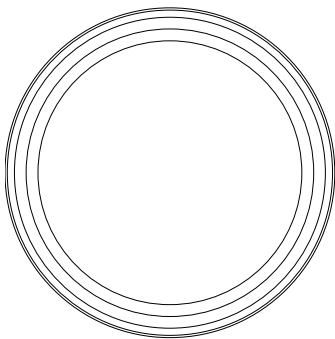
- Notes:**
- Material - Cast Iron Per ASTM A48 Class 30B
 - Dimensions in Inches



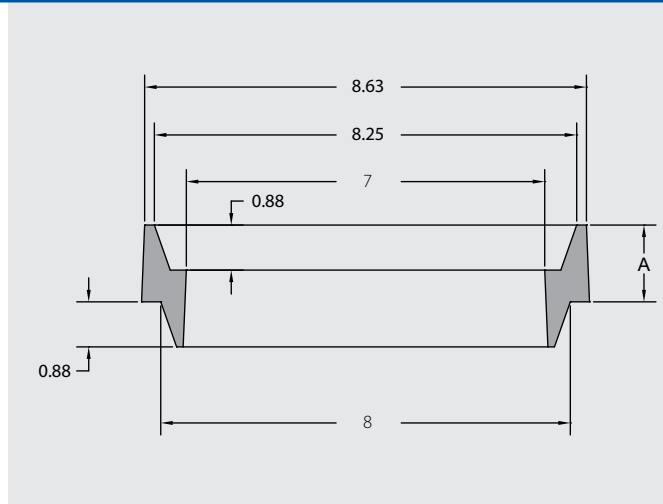
ITEM CODE	DETAILS	APPROX WT. (LBS.)
VB107AS	SEWER	37
VB107AW	WATER	37

RISER FOR VB107

VB-0043



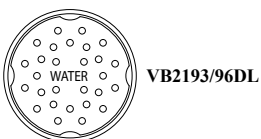
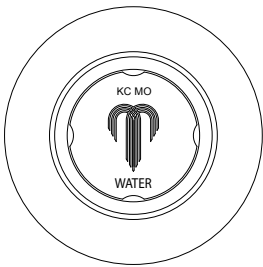
- Notes:**
- Material - Cast Iron Per ASTM A48 Class 30B
 - Dimensions in Inches



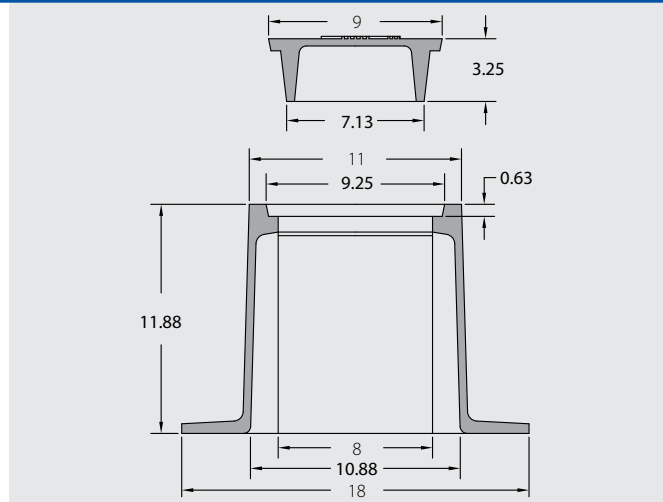
ITEM CODE	DETAILS (A)	APPROX WT. (LBS.)
VB107R-1	1	4.4
VB107R-1.5	1.5	7
VB107R-2	2	9.5

2193 VALVE BOX

VB-0044



- Notes:**
- Material - Cast Iron Per ASTM A48 Class 30B
 - Dimensions in Inches

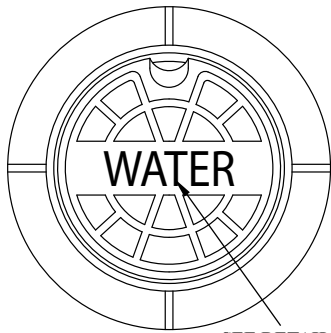


ITEM CODE	DETAILS	APPROX WT. (LBS.)
VB2193NS	COMPLETE W/ FOUNTAIN LID	101
VB219396L	FOUNTAIN LID	18
VB2193/96DL	DIMPLE LID	18
VB2193NSB	BOTTOM	83



2194 VALVE BOX

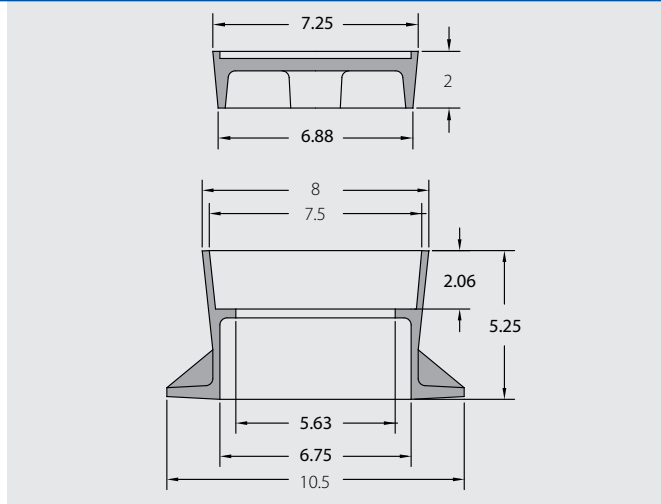
VB-0045



SEE DETAILS FOR OPTIONAL LETTERING

Notes:

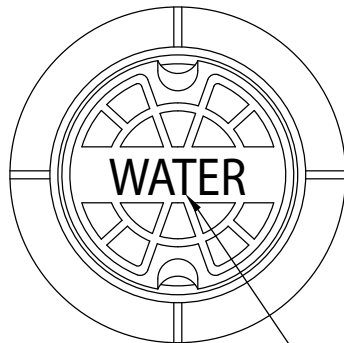
- Material - Cast Iron
Per ASTM A48 Class 30B
- Dimensions in Inches



ITEM CODE	DETAILS	APPROX. WT. (LBS.)
VB2194	WATER	22
VB2194S	SEWER	22
VB2194L	WATER LID	8
VB2194LS	SEWER LID	8
VB2194B	BOTTOM	14

2195 VALVE BOX

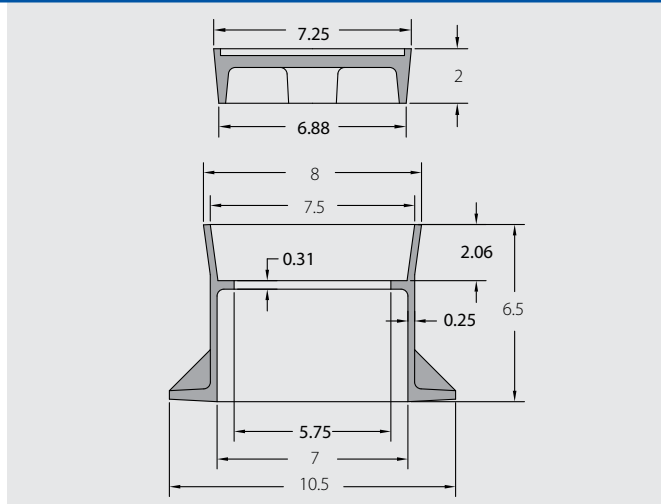
VB-0046



SEE DETAILS FOR OPTIONAL LETTERING

Notes:

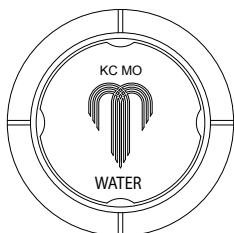
- Material - Cast Iron
Per ASTM A48 Class 30B
- Dimensions in Inches



ITEM CODE	DETAILS	APPROX. WT. (LBS.)
VB2195	COMPLETE	23
VB2195L	WATER LID	8
VB2195LLS	LS WATER LID	8
VB2195B	BOTTOM	15

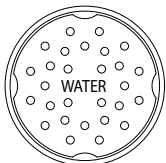
2196 VALVE BOX

VB-0047



KC MO

WATER

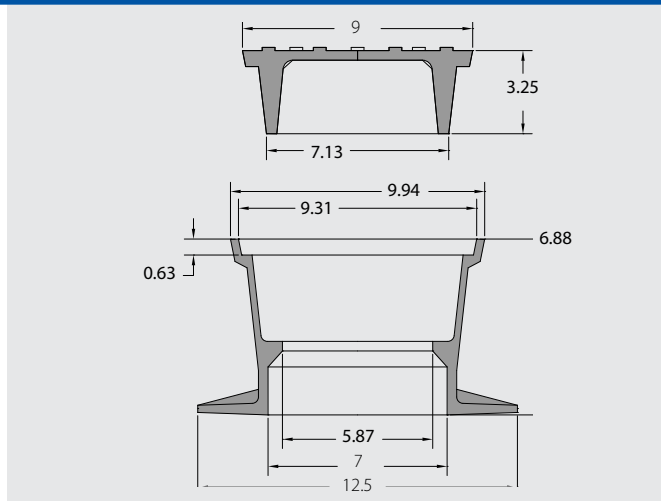


WATER

VB2193/96DL

Notes:

- Material - Cast Iron
Per ASTM A48 Class 30B
- Dimensions in Inches

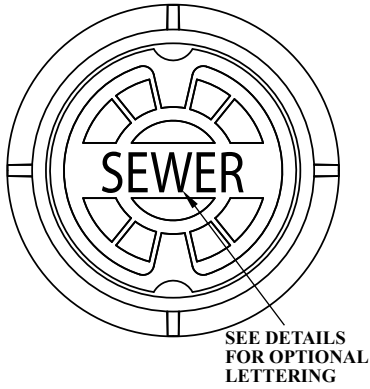


ITEM CODE	DETAILS	APPROX. WT. (LBS.)
VB2196	COMPLETE	42
VB2196L	LID	18
VB2193/96L	DIMPLE LID	18
VB2196B	BOTTOM	24

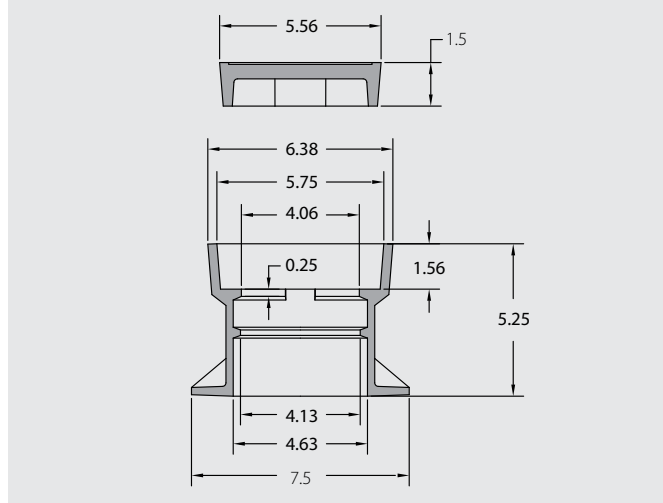


2197 VALVE BOX

VB-0048



- Notes:**
- Material - Cast Iron
Per ASTM A48 Class 30B
 - Dimensions in Inches



ITEM CODE	DETAILS	APPROX WT. (LBS.)
VB2197S	SEWER	14.2
VB2197	WATER	14.2
VB2197LS	SEWER LID	4.8
VB2197LW	WATER LID	4.8
VB2197B	BOTTOM	9.4

