

SWEAT END METAL BRAIDED FLEXIBLE CONNECTOR

Flexible connectors are used to absorb thermal and seismic movement, absorb hydraulic shock, provide vibration and noise dampening, ease installation and correct minor misalignment of piping and components. They come in a variety of sizes, materials, and connection ends for numerous applications.

The inner hose is an annular (bellows) design. An annular hose is better suited for pump connections because it can better sustain torsion stress due to longitudinal expansion from rises in pressure. Metal wire braid on a hose assembly restrains against hose elongation under higher pressures and acts to dampen vibration. A heavy braid also increases abrasion resistance. Optimal braid coverage will contain the core under pressure and reduce the possibility of twisting and squirming.

The use of braided metal connectors for applications such as pumps, compressors and other mechanical equipment can enhance the overall operation of a system.

Braided connectors have the advantages of:

- Longer service life
- Increased pressure capacity
- Greater fatigue resistance due to flex
- Increased temperature capacity of media
- Greater protection of annular hose
- Acceptance of thermal expansion
- Assembly must have 100% chloride free flux and be thoroughly cleaned after each installation



Pressure / Temperature

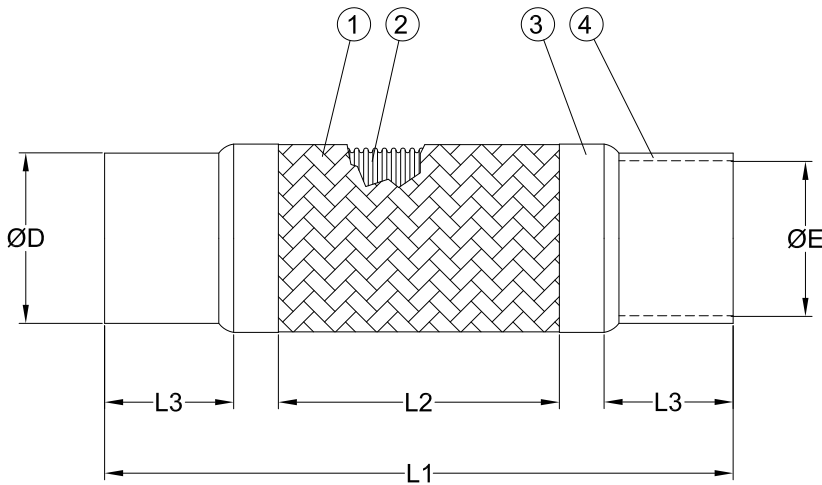
Size	Pressure @ 70°F		Pressure Factors for Above 70°F*	
	Working PSI	Test PSI	°F	Factor
3/4	375	562	100	0.95
1	390	585	150	0.92
1-1/4	340	510	200	0.89
1-1/2	320	480	250	0.86
2	320	480	300	0.83
			350	0.81
			400	0.78
			450	0.75

* Multiply working pressure by pressure factor for temperature adjusted pressure rating.

Part Numbers & Weight

Size	Part Number	Approx. Wt (Lbs)
3/4	FNW35SF	0.50
1	FNW35SG	0.75
1-1/4	FNW35SH	1.00
1-1/2	FNW35SJ	1.25
2	FNW35SK	2.13

SWEAT END METAL BRAIDED FLEXIBLE CONNECTOR

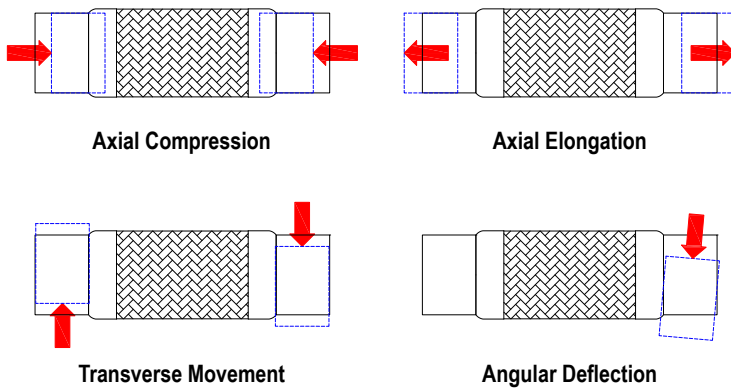


Dimensions (inches)

Size	ØD	ØE	L1	L2	L3
3/4	0.88	0.868	7.0	2.93	1.250
1	1.13	1.288	8.0	3.68	1.375
1-1/4	1.38	1.368	8.5	4.18	1.375
1-1/2	1.63	1.618	9.0	4.23	1.500
2	2.13	2.116	10.5	5.43	1.750

Standard Materials

Ref. No.	Description	Material
1	Hose Braid	Bronze
2	Corrugated Hose	Bronze
3	Braid Band	ASTM B88 Copper
4	Female Sweat End	ASTM B88 Copper



Braid Limits

Size	Maximum Axial Compression	Maximum Axial Elongation	Maximum Transverse Movement	Maximum Angular Deflection
3/4	0.12"	0.12"	±0.08"	2°
1	0.12"	0.12"	±0.08"	2°
1-1/4	0.12"	0.12"	±0.08"	1.5°
1-1/2	0.12"	0.12"	±0.08"	1.5°
2	0.16"	0.16"	±0.12"	1.5°

DOC: FNW35S05 Ver. 6/2016

© 2016 - FNW. All rights reserved.

The FNW logo is a trademark of Ferguson Enterprises, Inc., PL Sourcing, PO Box 2778, Newport News, VA 23609

The contents of this publication are presented for information purposes only, and while effort has been made to ensure their accuracy, they are not to be construed as warranties or guarantees, expressed or implied, regarding the products or services described herein or their use or applicability. All sales are governed by our terms and conditions, which are available on request. We reserve the right to modify or improve the designs or specifications of our products at any time without notice. Always verify that you have the most recent product specifications or other documentation prior to the installation of these products.