

SPECIFICATIONS

**FIGURE 455 – 465**  
BRASS BODY BALL VALVES



3-WAY DIVERTING 400 WOG W/ ISO PAD

FEATURES

- 400 WOG
- 100 PSI WSP
- T-port 90° & 180° flow path (Figure 455)
- L-Port 90° flow path (Figure 465)
- Blow-out proof stem
- Double Viton® O-ring stem seal with additional PTFE seal
- Threaded NPT ends (per ANSI B1.20.1)
- Forged brass body & end cap
- Four seat design
- O-ring backed seats for reduced operating torque
- Mounting pad for direct mount actuation (per ISO 5211)
- 100% electronically tested in open & closed position at 80 psi
- Handle kit included
- Sizes 1/4"–2"

NOT FOR USE AT OR BELOW GROUND LEVEL

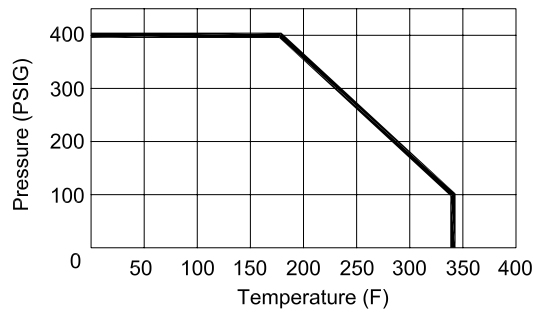
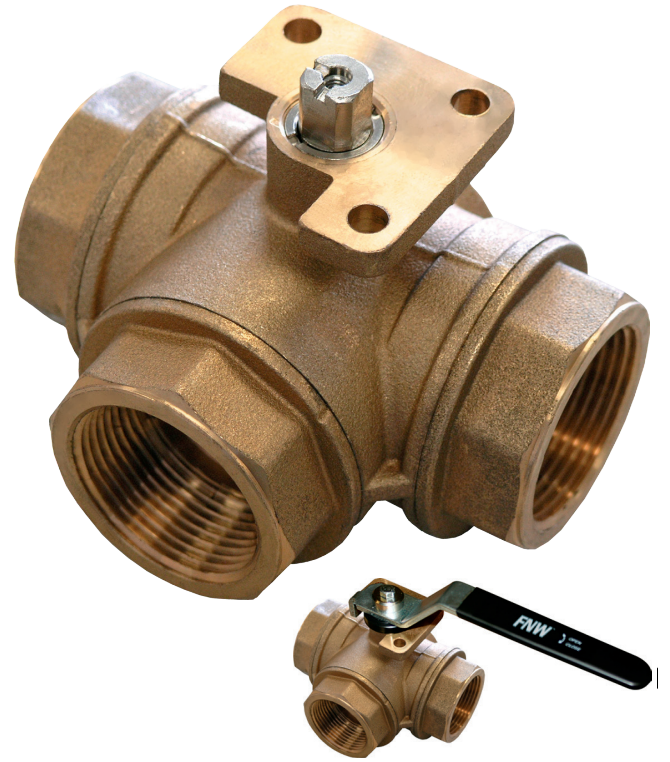
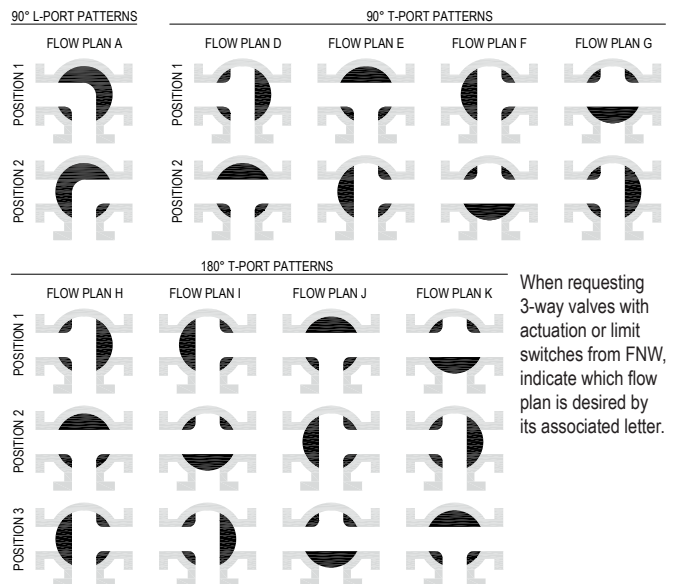


FIGURE NUMBER MATRIX

FNW 455/465		
PORT TYPE	SIZE CODE (IN.)	
T-PORT = 455	1/4 = B	1 = G
L-PORT = 465	3/8 = C	1-1/4 = H
	1/2 = D	1-1/2 = J
	3/4 = F	2 = K



SPECIFICATIONS

**FIGURE 455 – 465**  
BRASS BODY BALL VALVES

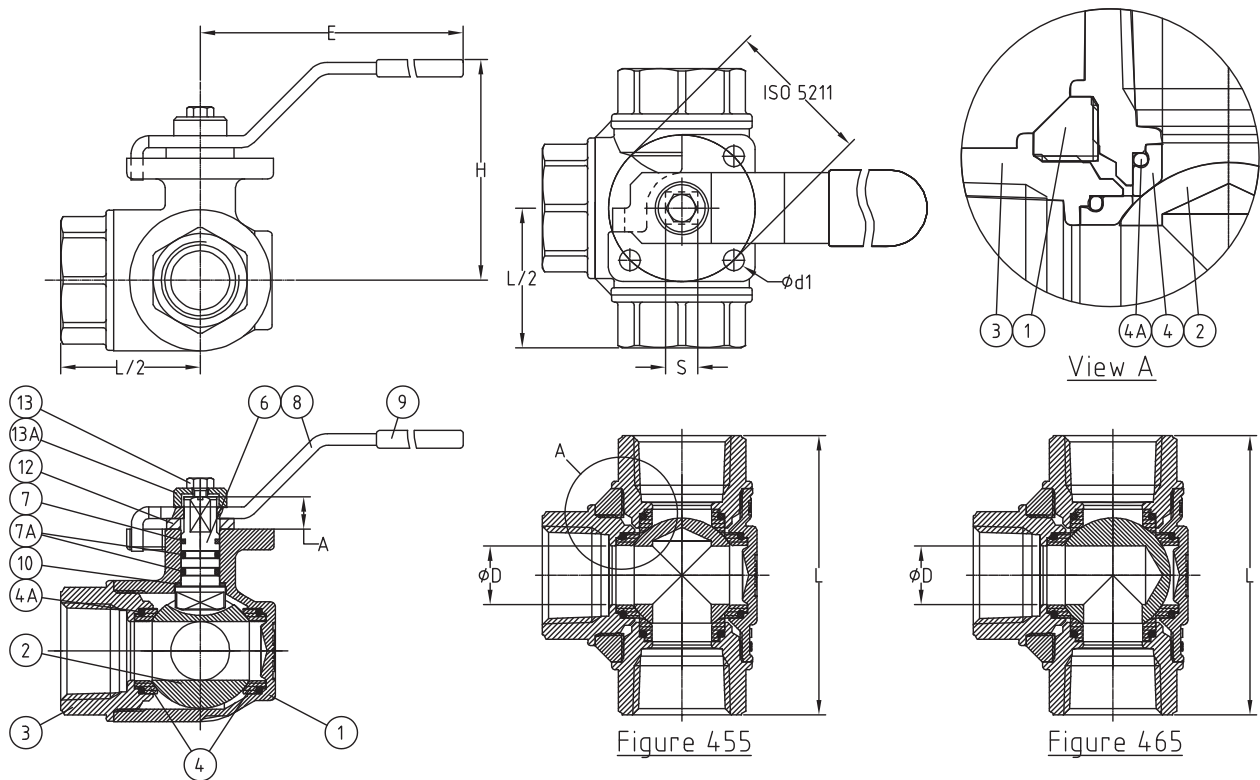


3-WAY DIVERTING 400 WOG W/ ISO PAD

REFERENCE CHART

Size (in.)	Dimensions (in.)							CV		Torque (in-lbs)	Wt (lbs)
	A	ØD	L	H	S	ISO 5211	Ød1	455	465		
1/4	0.35	0.39	2.64	2.44	0.354	1.42/F03	0.23	3.50	3.26	54	1.3
3/8	0.35	0.43	2.64	2.44	0.354	1.42/F03	0.23	4.08	3.50	54	1.2
1/2	0.35	0.43	2.87	2.44	0.354	1.42/F03	0.23	5.02	4.20	54	1.3
3/4	0.35	0.59	3.19	2.52	0.354	1.42/F03	0.23	7.70	7.00	54	1.5
1	0.43	0.79	3.74	2.95	0.433	1.97/F05	0.27	14.24	12.83	151	2.7
1-1/4	0.43	0.98	4.39	3.17	0.433	1.97/F05	0.27	19.72	18.67	151	4.2
1-1/2	0.43	1.26	4.86	3.66	0.433	1.97/F05	0.27	30.69	29.75	260	6.1
2	0.59	1.57	5.73	4.43	0.551	2.76/F07	0.35	44.58	43.76	285	9.1

PARTS DIAGRAM



## PARTS BREAKDOWN

# FIGURE 455 – 465

## BRASS BODY BALL VALVES



### 3-WAY DIVERTING 400 WOG W/ ISO PAD

#### PART MATERIALS & QUANTITY

Ref #	Description	Material	Qty
1	Body	Brass CW 617N UNI EN 12165	1
2	Ball	Brass CW 617N UNI EN 12165 (Nickel-Chrome Plated)	1
3	End Cap	Brass CW 617N UNI EN 12165	3
4	Seat	PTFE	4
4A	Seat Backing O-Ring	Viton®	4
6	Stem	Brass CW 614N UNI EN 12164	1
7	Stem Seal	PTFE	1
7A	Stem O-Ring	Viton®	2
8	Handle	Steel DD11 UNI EN 10111	1
9	Handle Cover	Vinyl	1
10	Thrust Washer	PTFE	1
12	Handle Washer	Nylon	1
13	Handle Screw	Steel	1
13A	Handle Bushing	Brass CW 614N UNI EN 12164	1