

Q

**SMITH® JAY R. SMITH MFG. CO.®**  
 DIVISION OF SMITH INDUSTRIES, INC.  
 POST OFFICE BOX 3237  
 MONTGOMERY, ALABAMA 36109-0237 (USA)  
 TEL: 334-277-8520 FAX: 334-272-7396 www.jrsmith.com

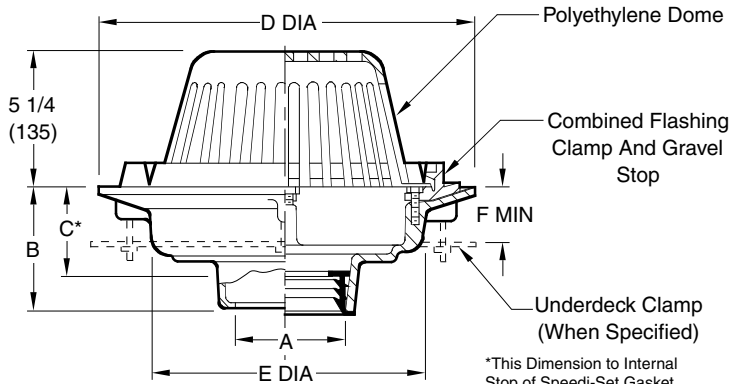


LOCATION

# LARGE GENERAL PURPOSE ROOF DRAINS

## LOW PROFILE DOME

**FUNCTION:** Used in flat roof of any construction. Large low profile dome provides sufficient free area for quick drainage of rain water and protects the drain sump and connected piping from the intrusion of debris. Wide clamping surface holds flashing and roofing materials without puncturing.



- Fig. 1010C ...CAULK OUTLET
- Fig. 1010Y ...NO-HUB OUTLET

\*This Dimension to Internal Stop of Speedi-Set Gasket.  
 \*\*NOTE: 08(200) & 10(250) outlet sizes are regularly furnished with 20(510) dia. flange. If 16(405) dia. flange is required -16 MUST be specified.  
 Ex: 1010Y08-16 or 1010Y10-16

**recommended deck opening**

| outlet size                              | with suffix-R | less suffix-R    |
|--|---------------|------------------|
| 02(50),03(75),04(100)<br>05(125),06(150) | 17(430) DIA   | 14(355) DIA      |
| **08(200)-16, **10(250)-16               | 17(430) DIA   | 14 3/4 (375) DIA |
| **08(200), **10(250)                     | 21(535) DIA   | 18 3/4(475) DIA  |

| A SIZE                        | B (BOTTOM OUTLET)           |                |               | SIDE OUTLET     |                 |               | FREE AREA SQ IN (SQ CM)  |
|-------------------------------|-----------------------------|----------------|---------------|-----------------|-----------------|---------------|--------------------------|
|                               | CAULK, NO-HUB, & SPEEDI-SET | THREADED       | C             | D DIA           | E DIA           | F MIN         |                          |
| 02(50),03(75),<br>04(100)     | 5<br>(125)                  | 3 3/4<br>(95)  | 3 3/4<br>(95) | 15 1/4<br>(390) | 11<br>(280)     | 1 1/8<br>(29) | 102.5<br>(661)           |
| 05(125),<br>06(150)           | 5<br>(125)                  | 3 3/4<br>(95)  | --            | 15 1/4<br>(390) | 11<br>(280)     | 1 1/8<br>(29) | 102.5<br>(661)           |
| **08(200)-16,<br>**10(250)-16 | 6<br>(150)                  | 5<br>(125)     | --            | 16<br>(405)     | 12 1/2<br>(320) | 1 1/8<br>(29) | 102.5(661)<br>122.5(790) |
| **08(200),<br>**10(250)       | 7 3/4<br>(195)              | 7 3/4<br>(195) | --            | 20<br>(510)     | 16<br>(405)     | 1 5/8<br>(41) | 228<br>(1471)            |

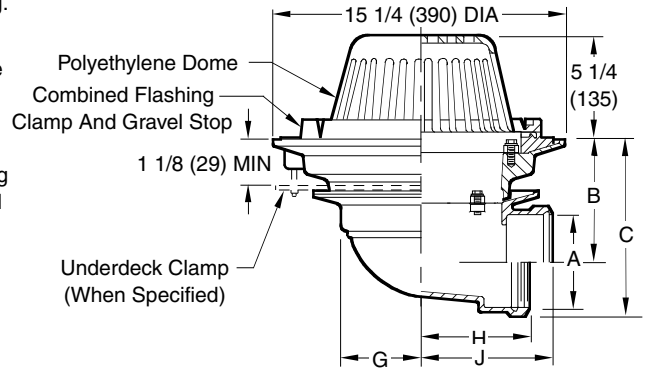
**REGULARLY FURNISHED:**

Duco Cast Iron Body with Combined Flashing Clamp and Gravel Stop with Polyethylene Dome.

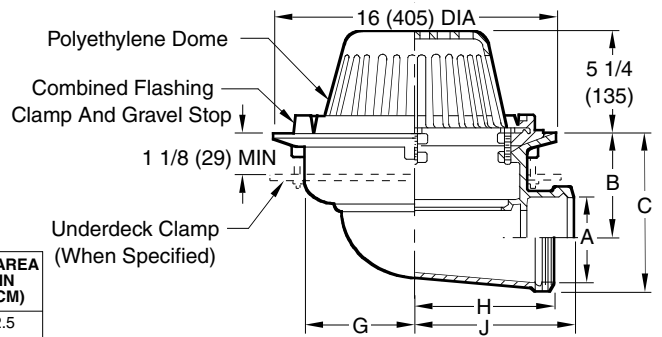
**VARIATIONS:**

- Expansion Joint (Specify Fig.1710) (Fig. 1010 only)
- Extension (Specify Height) -E
- "L" Shaped Underdeck Clamp -CL
- L Speedi-Set Service Weight (02(50), 03(75), and 04(100)" sizes only (Fig. 1010 Only)
- LXH Speedi-Set Extra Heavy (02(50), 03(75), and 04(100)" sizes only (Fig. 1010 only)
- NO-HUB Adaptor (Specify Fig. 2646Y) (Fig. 1020 only)
- Secondary Flashing Clamp -C2
- Sump Receiver -R
- Underdeck Clamp -C
- Vandal Proof Dome -U
- T Threaded Outlet

**NOTE:** Dimensions shown in parentheses are in millimeters.



- Fig. 1020C 02(50), 03(75) & 04(100)" CAULK OUTLET
- Fig. 1020T 02(50), 03(75) & 04(100)" THREADED OUTLET



- Fig. 1020C 05(125) & 06"(150) CAULK OUTLET
- Fig. 1020T 05(125) & 06"(150) THREADED OUTLET

(SIDE OUTLET)

| A SIZE | 02 (50)        | 03 (75)        | 04 (100)       | 05 (125)       | 06 (150)       |
|--------|----------------|----------------|----------------|----------------|----------------|
| B      | 6 7/8<br>(175) | 6 3/8<br>(162) | 5 7/8<br>(149) | 5<br>(125)     | 4 1/2<br>(115) |
| C      | 8 5/8<br>(219) | 8 3/4<br>(220) | 8 3/4<br>(220) | 8 1/2<br>(215) | 8 1/2<br>(215) |

**OPTIONAL MATERIALS:**

- All Aluminum -AA (Fig. 1010 only)
- Aluminum Dome -AD
- Cast Iron Dome -CID
- Galvanized Cast Iron Dome -CIDG
- Galvanized Cast Iron Body & Collar -G
- Rough Bronze Dome -RBD
- Stainless Steel (Specify Fig. 9780)

DRAWING NUMBER  
S1010

SIZE  
A

SCALE:  
NONE

DATE:  
5-24-85

APPROVED BY:  
TD

CHECKED BY:  
TD

DRAWN BY:  
CR

1010, 1020

WE CAN ASSUME NO RESPONSIBILITY FOR USE OF SUPERSEDED OR VOID DATA

|      |                    |  |           |          |
|------|--------------------|--|-----------|----------|
| REV. | DATE               | DESCRIPTION                                | BY        | CKD. BY  |
|      | 07-09-07<br>9-7-06 | Corrected Free Area<br>Corrected Free Area | JJ<br>TBW | CL<br>JM |

WEIGHT POUNDS

VOLUME CUBIC FEET

FIGURE NUMBER  
**1010, 1020**