



RELIABILITY BUILT IN[®]

Limited One Year Warranty

T&S warrants to the original purchaser (other than for purposes of resale) that such product is free from defects in material and workmanship for a period of one (1) year from the date of purchase. During this one-year warranty period, if the product is found to be defective, T&S shall, at its options, repair and/or replace it. To obtain warranty service, products must be returned to...

***T&S Brass and Bronze Works, Inc.
Attn: Warranty Repair Department
2 Saddleback Cove
Travelers Rest, SC 29690***

Shipping, freight, insurance, and other transportation charges of the product to T&S and the return of repaired or replaced product to the purchaser are the responsibility of the purchaser. Repair and/or replacement shall be made within a reasonable time after receipt by T&S of the returned product. This warranty does not cover items which have received secondary finishing or have been altered or modified after purchase, or for defects caused by physical abuse to or misuse of the product, or shipment of the products.

Any express warranty not provided herein, and any remedy for Breach of Contract which might arise, is hereby excluded and disclaimed. Any implied warranties of merchantability or fitness for a particular purpose are limited to one year in duration. Under no circumstances shall T&S be liable for loss of use or any special consequential costs, expenses or damages.

Some states do not allow limitations on how long an implied warranty lasts or the exclusion or limitation of incidental or consequential damages, so the above limitations or exclusions may not apply to you. Specific rights under this warranty and other rights vary from state to state.

P/N: 098-016721-45 Rev. 0

Date: 02-19-08

Drawn: TEH

Checked: ARH 04-08-08

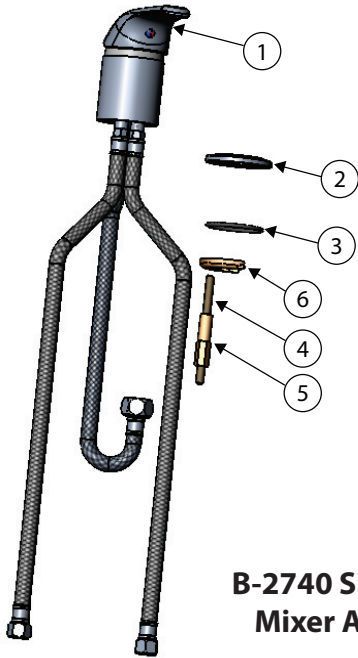
Approved: JHB 04-09-08

Installation and Maintenance Instructions

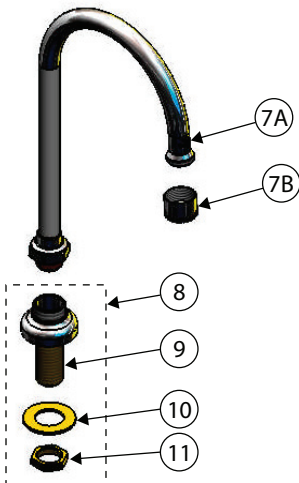
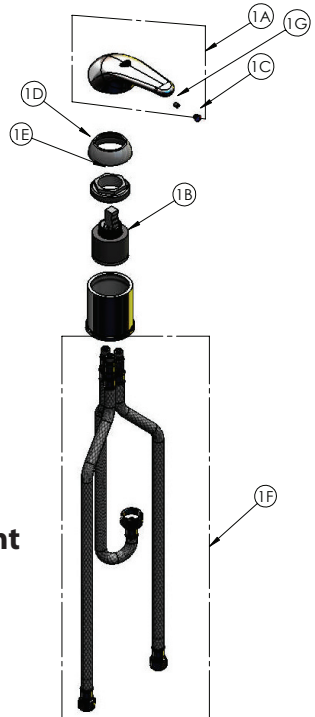


B-2740 SERIES SINGLE LEVER FAUCETS (with or without Sidespray)

Exploded View



B-2740 Side Mount Mixer Assembly

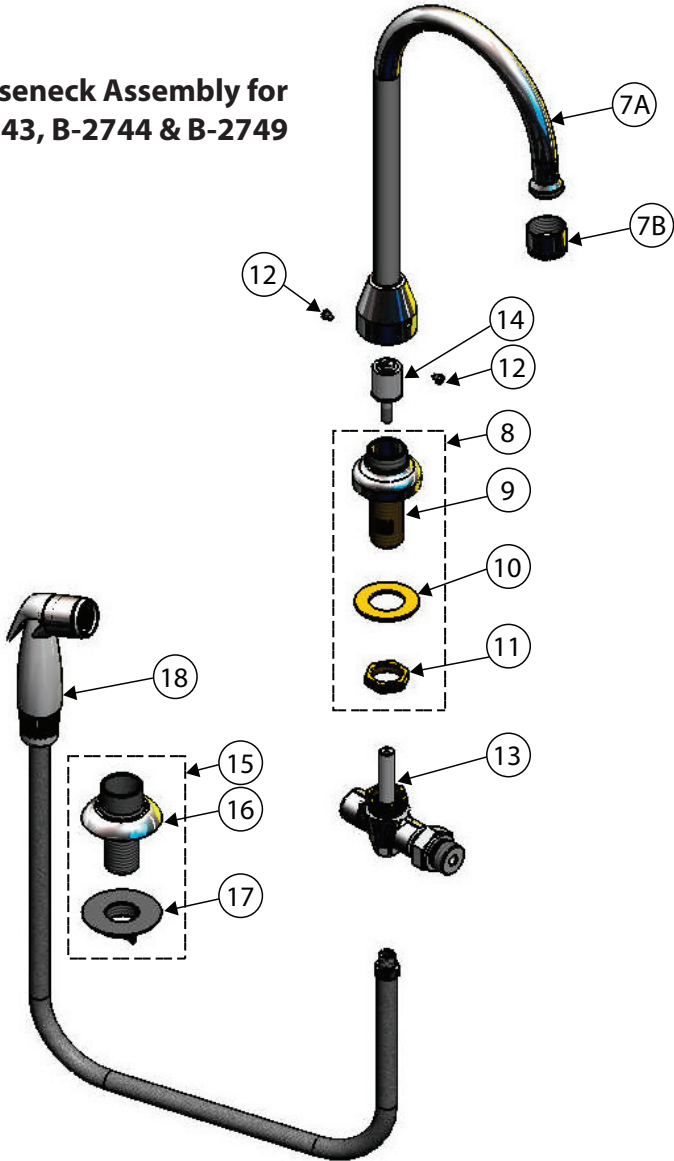


**Gooseneck Assembly for
B-2741, B-2742 & B-2746**

* Some items are listed for instructional purposes and may not be sold as separate parts.

Exploded View

Gooseneck Assembly for B-2743, B-2744 & B-2749



* Some items are listed for instructional purposes and may not be sold as separate parts.

Part Number Guide

B-2740 Side Mount Mixer Assembly

1	Body Base w/ Supply Lines & Outlet	*
A	Handle Kit	013113-45
B	Cartridge	013080-45
C	Index, Temperature	014173-45
D	Trim Ring	016661-45
E	Locking Nut	016663-45
F	Inlet & Outlet Hose	013537-45
G	Set Screw	016675-45
2	Deck Mounting Ring	*
3	Deck Mounting Ring O-Ring	*
4	Threaded Locking Rod	*
5	Brass Lock Nut	*
6	Locking C-Ring	*

Gooseneck Assembly for: B-2741 B-2742 B-2746

7A	Gooseneck	BL-5570-02	133X	B-2403
7B	Aerator	B-0199-07	B-0199-06	B-0199-01
8	Center Body Assembly	B-0430	B-0431	B-0431
9	Center Body Shank	*	*	*
10	Washer	000999-45	000999-45	000999-45
11	Nut	002954-45	002954-45	002954-45

Gooseneck Assembly for: B-2743 B-2744 B-2749

7A	Gooseneck		000398-40	
7B	Aerator	B-0199-06	B-0199-06	
8	Center Body Assembly	B-0431	B-0431	009435-40
9	Center Body Shank	*	*	*
10	Washer	000999-45	000999-45	000999-45
11	Nut	002954-45	002954-45	002954-45
12	Set Screw		001486-45	001486-45
13	Valve Body			*
14	Diverter Valve	002338-45	002338-45	002338-45
15	Guide Assembly	001496-45	001496-45	B-KF
16	Shank	*	*	N/A
17	Combo Nut Washer	*	*	N/A
18	Side Spray Assembly			B-0101
	Side Spray, 4'	001495-45	001495-45	
	Side Spray, 7'	013659-45	013659-45	

General Instructions

Note: An adjustable wrench may be used instead of an open end wrench.

Installation of Side Mount Mixer (No.1) B-2740

1. Shut off water supply and drain lines. Drill a hole approximately 1-1/2" diameter in countertop where installing no.1 (side mount body).
2. Take no.1 (side mount body) and no.2 (mounting ring) (see note) and place no.2 (mounting ring) on top of counter over 1-1/2" diameter hole. Place hoses of no.1 (side mount body) through hole and place no.1 (side mount body) into no.2 (mounting ring). **Note: No.3 (mounting o-ring) should be installed in no.2 (mounting ring).**
3. From below counter, thread no.4 (threaded locking rod) into hole in bottom of no.1 (side mount body).
4. Install no.6 (locking c-ring) and then no.5 (brass lock nut) onto no.4 (threaded locking ring). Hex of no.5 (brass lock nut) should be at bottom for ease of installation. Tighten no.5 (brass lock nut) with a 3/8" wrench until no.6 (locking c-ring) is snug against underside of countertop. Note that no.5 (brass lock nut) and no.6 (locking c-ring) can adjust to counter thickness up to two inches.
5. Connect flexible supply lines (3/8" female compressions) to water supply. Note stickers on supply lines, with red sticker indicating hot and blue sticker cold.

Installation of Gooseneck Assembly, included in B-2741, B-2742 & B-2746 Assemblies:

1. With water supply and drain lines shut off from step 1 above, drill a 7/8" diameter hole in countertop where no.8 (center body assembly) is to be installed. The hole should be no more than 6" maximum from center of hole for side mount mixer in step 1. For rigid gooseneck assembly, no.8 (center body assembly) and no.7 (gooseneck) are one assembly. For the swivel gooseneck assembly, no.8 (center body assembly) and no.7 (gooseneck) are separate assemblies.
2. Remove no.11 (nut) and no.10 (washer) before placing no.9 (center body shank) of no.8 (center body assembly) through hole above countertop. After installing no.8 (center body assembly) in 7/8" diameter hole, put no.10 (washer) and no.11 (nut) back on no.9 (center body shank) below countertop and tighten with 1" wrench until tight with countertop.
3. Connect outlet hose from side mount mixer to inlet of no.9 (center body shank). Tighten snug with 15/16" wrench.
4. **FOR SWIVEL ONLY:** Install no.7 (gooseneck) by screwing nut of no.7 (gooseneck) onto top of no.9 (center body shank). Install grease from packet on swivel o-ring prior to screwing on no.9 (center body shank). Tighten with 1-1/8" wrench.
5. Open water supply and check for leaks. Lift handle on side mount mixer and check for leaks.

General Instructions

Installation of Gooseneck w/ Side Spray Assembly, Included in B-2743, B-2744 & B-2749 Assemblies:

1. With water supply and drain lines shut off from step 1 in Installation of Gooseneck Assembly, drill a 7/8" diameter hole in countertop where no.8 (center body assembly) is to be installed. The hole should be no more than 6" maximum from center of hole for side mount mixer. For rigid gooseneck assembly no.8 (center body assembly) and no.7 (gooseneck) are one assembly. For the swivel gooseneck assembly no.8 (center body assembly) and no.7 (gooseneck) are separate assemblies.
2. Remove no.12 (set screw) from no.7 (gooseneck) with flat head screw driver. Carefully twist and pull no.7 (gooseneck) from no.8 (center body assembly). No.14 (diverter valve) should be visible in top of no.9 (center body shank) of no.8 (center body assembly). With flat head screw driver, turn screw in top of no.14 (diverter valve) counter clockwise to loosen valve. Remove no.14 (diverter valve) from top of no.8 (center body assembly) and set aside. With 3/4" wrench use flats on no.9 (shank) to remove no.8 (center body assembly) from no.13 (valve body). Remove no.11 (nut) and no.10 (washer) before placing no.9 (center body shank) of no.8 (center body assembly) through hole above countertop. After installing no.8 (center body assembly) in 7/8" diameter hole, put no.10 (washer) and no.11 (nut) back on no.9 (center body shank) below countertop and tighten with 1" wrench until tight with countertop.
3. Reinstall no.13 (valve body) below countertop on bottom of no.9 (center body shank).
4. With screwdriver reinstall no.14 (diverter valve) above countertop in no.8 (center body assembly).
5. Connect outlet hose from side mount mixer to inlet of no.13 (valve body). Tighten snug with 15/16" wrench.
6. Install no.15 (guide assembly) for no.18 (side spray assembly) by removing no.17 (combo nut washer) from no.15 (guide assembly). Place no.16 (shank) with bonnet through hole in countertop for no.18 (side spray assembly). Thread lock nut & washer on bottom of no.16 (shank) of no.15 (guide assembly) beneath countertop. Thread tightly.
7. Place no.18 (side spray assembly) hose (1/8" NPT) fitting through no.15 (guide assembly) on top of countertop until spray handle rests in no.15 (guide assembly). Below countertop install no.18 (side spray assembly) hose fitting into bottom of no.13 (valve body) with 3/8" wrench.
8. **FOR SWIVEL ONLY:** Install no.7 (gooseneck) by installing gooseneck onto top of shank of no.8 (center body assembly) sticking out top of counter. Install grease from packet on swivel o-rings prior to installing on no.9 (center body shank). Install set screws in gooseneck base.
9. Open water supply and check for leaks. Lift handle on side mount mixer and check for leaks. Use side spray and check for leaks.

RELATED T&S BRASS PRODUCT LINE



B-2710
Single Lever Faucet

B-2711
Single Lever Faucet
with Pop-Up Drain Assembly



B-2730
Single Lever Mixing
Faucet with Sidespray

B-2731
Single Lever Mixing
Faucet less Sidespray

T&S BRASS AND BRONZE WORKS, INC.

A firm commitment to application-engineered plumbing products

2 Saddleback Cove, P.O. Box 1088
Travelers Rest, SC 29690
Phone: (864) 834-4102
Fax: (864) 834-3518
E-mail: tsbrass@tsbrass.com

T & S Brass-Europe
'De Veenhoeve'
Oude Nieuwveenseweg 84
2441 CW Nieuwveen
The Netherlands



RELIABILITY BUILT IN™