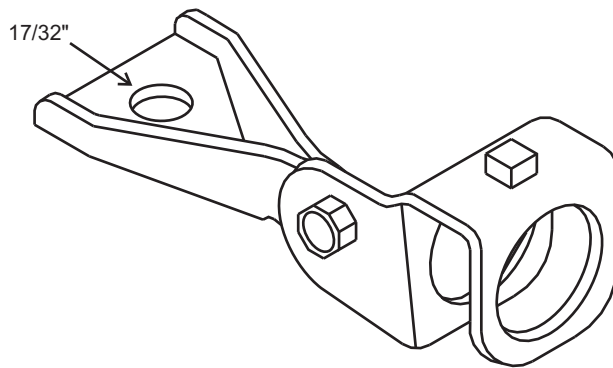
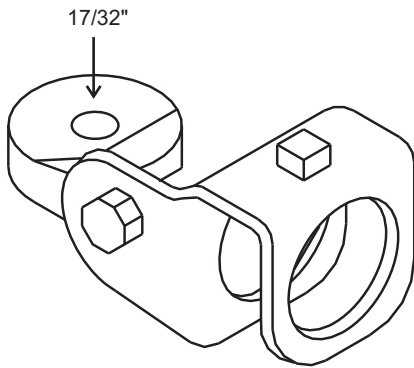






P.O. Box 3365 South El Monte, CA 91733 626.444.0541 Fax 626.444.3887 www.Afcon.org



077

## ATTACHMENT FITTING LOCKING



**SIZE - BRACE PIPE:** 1" and 1 1/4" Sch. 40  
**MATERIAL** - Carbon Steel, Ductile Iron or S.S. (Type 304).  
**FINISH** - Plain or E.G.  
**LISTING/APPROVAL** -

 203A-EX2625  
 FM Approved - 1950  
 OSHPD OPA-0601-07 See Website.

Horizontal Load Ratings		
Base Material		
Ductile	1500	2015
Steel	---	2015

**FUNCTION** - Structure attachment fitting of an *AFCON* sway brace assembly.  
 Sway brace assemblies are intended to be installed in accordance with NFPA 13 and the manufacturer's installation instructions.

**INSTALLATION** - Per these instructions including NFPA 13 and 13R.  
**Load rating** - see chart.

Install fasteners in accordance with NFPA 13.

**ASSEMBLY**

Combine with proper *AFCON* components- see disclaimer below.  
 Insert brace pipe into fitting against the pivot bolt.  
 Tighten set bolt until head contacts bracket.

**FEATURES**

- \* Swivel allows attachment at any angle.
- \* Visual inspection, verifies proper installation.
- \* Larger fastener hole available.- Consult factory.

**ORDERING** - Part #, pipe size and finish.

Specific *AFCON* products are exclusively designed to be compatible **ONLY** with other *AFCON* products including parts and fasteners, resulting in a listed sway brace, restrainer or hanger assembly. **Be advised** the following warranty restriction will apply. **DISCLAIMER** - *AFCON* will **NOT** warrant against the failure of its products when used in combination with other products, parts or systems not manufactured or sold by *AFCON*. *AFCON* shall **NOT** be liable under any circumstances whatsoever for any direct or indirect, incidental or consequential damages of any kind, including but not limited to loss of business or profit, when non-*AFCON* products have been, or are used.

