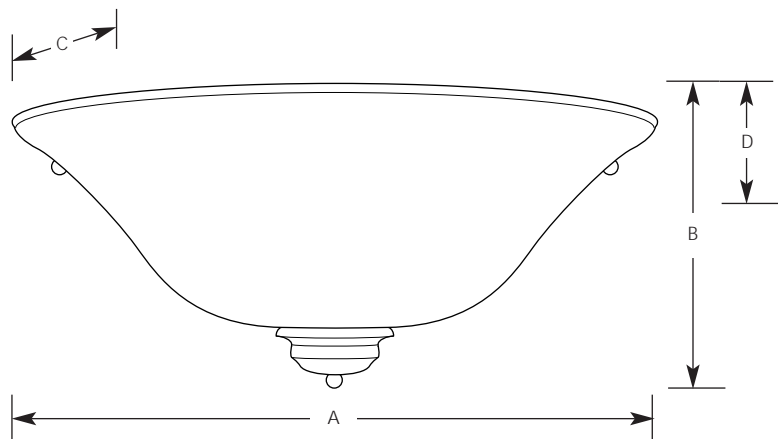


Type _____
 -77 -81
 P7122

Catalog No.	Finish		Lamping	Dimensions (Inches)			
	Forged Bronze	Antique Nickel		A	B	C	D
P7122	-77	-81	1(m) 100w	15-5/8	6-3/4	7-3/4	2-3/4



Specifications:

General

- Etched glass shade
- Steel construction
- Hand painted forged bronze, or plated antique nickel finish
- Companion wall bracket, chandeliers, hall & foyer, and close to ceiling units

Electrical

- Ceramic medium based socket
- Pre-wired

Labeling

- UL-CUL listed

Mounting

- Wall mounted
- Back plate covers a standard recessed 4" octagonal outlet box
- Mounting strap for outlet box included