



Closet / Lavatory PEX Risers

Product Features

- Temperature Rating: 82.2°C / 180°F
- Pressure Rating: 100 PSI
- IAPMO Certified

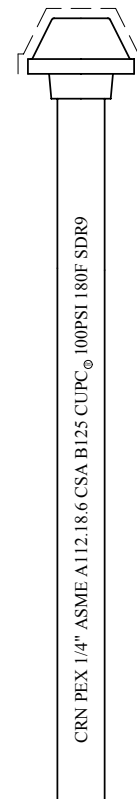
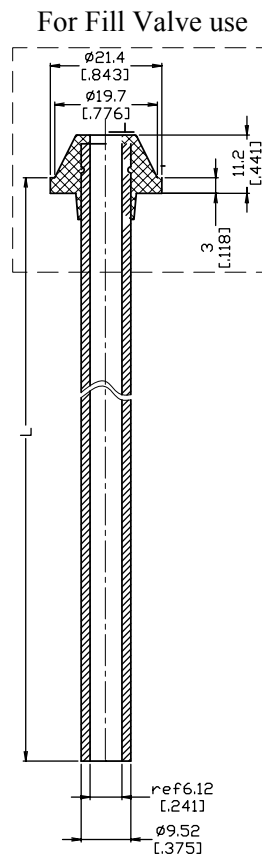
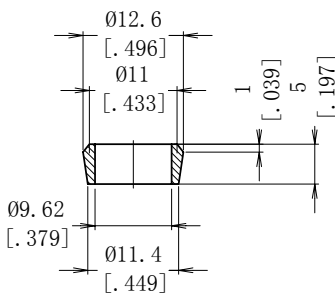
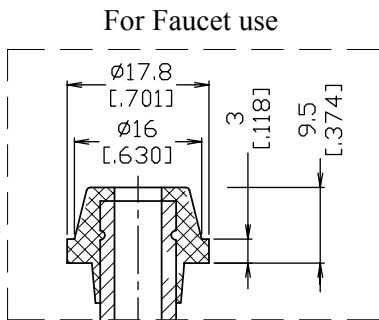


PF3812CR



PF3812LR

✓ For Submittal	Model Number	Description	Length		REMARK
	PF3812CR	3/8" X 12" CLST PEX SPLY TUBE FOR TOILET	12"	305 mm +6.35 / -1.5	For Fill Valve Use
	PF3820CR	3/8" X 20" CLST PEX SPLY TUBE FOR TOILET	20"	508 mm +8.35 / -3.5	For Fill Valve Use
	PF3812LR	3/8" X 12" LAV PEX SPLY TUBE FOR FAUCET	12"	305 mm +6.35 / -1.5	For Faucet Use
	PF3820LR	3/8" X 20" LAV PEX SPLY TUBE FOR FAUCET	20"	508 mm +8.35 / -3.5	For Faucet Use
	PF3830LR	3/8" X 30" LAV PEX SPLY TUBE FOR FAUCET	30"	762 mm +10 / -4	For Faucet Use
	PF3836LR	3/8" X 36" LAV PEX SPLY TUBE FOR FAUCET	36"	914 mm +10 / -4	For Faucet Use



Warranty and Codes

This PROFLO product carries a 1-year limited warranty.

Compliance to ASME A112.18.6 / CSA B125

