

HARRINGTON HYDRANT STORZ CONNECTIONS

HPHA™ SPECIFICATION The Harrington Permanent Hydrant Adapter is threaded onto the male steamer port and is secured permanently onto the hydrant with (2) setscrews. For security, a Storz spanner wrench is required for cap removal (high-torque cap removal).

The Storz adapter shall have a hard anodized 6061-T6 aluminum metal face sealing surface, Storz ramps and lugs. The aluminum finish shall be hardcoat anodized to MIL-A-8625, Type 3, Class I, dark gray. The adapter is secured to the nozzle with (2) stainless steel setscrews, inserted 180° apart. The female adapter shall retain a flat gasket which seals the adapter onto the hydrant's male steamer port.

The Storz cap shall have hard anodized aluminum Storz ramps and lugs made of forged 6061-T6 aluminum. The center cap shall be forged 6061-T6 aluminum. The Storz Cap shall be connected to the Storz adapter with a 0.125" vinyl coated stainless steel aircraft cable and (2) aluminum crimps. As a security consideration, the HPHA™ Storz cap requires a Storz spanner wrench for removal. However, the Storz Hose Coupling will connect quickly and easily by hand.

The HPHA™ is completely Made In USA

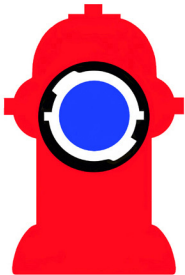
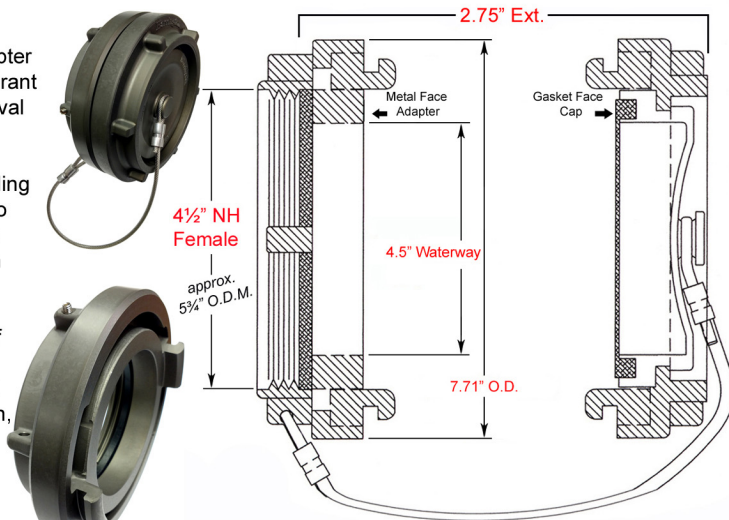
Once installed, the HPHA™ extends only 2.75" from the hydrant nozzle.

Specify HARRINGTON STORZ

"HPHA50-45NH/Cap"

- 250 psi working pressure

- MADE IN USA



Harrington, Inc.
2630 W. 21st St.
Erie, PA 16506

Ph. 800-553-0078
daveh@harrinc.com



DWG No.: **HPHA50-45NH/Cap**
4 1/2" NH (NST) = 5.760 x 4tpi

5" Storz Hydrant Adapter: 5 x 4 1/2" NH Female w/(2) setscrews, Storz Cap and SS Cable

Date: 07/01/18	DB: DTH	Harrington Hydrant Storz	
Not to scale	Sheet 1 of 1	HPHA	