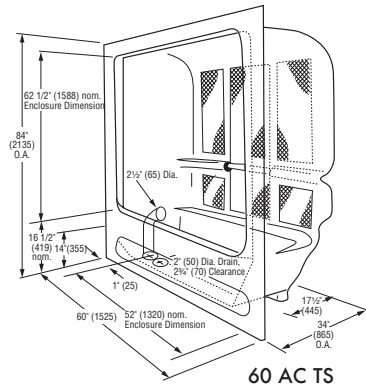
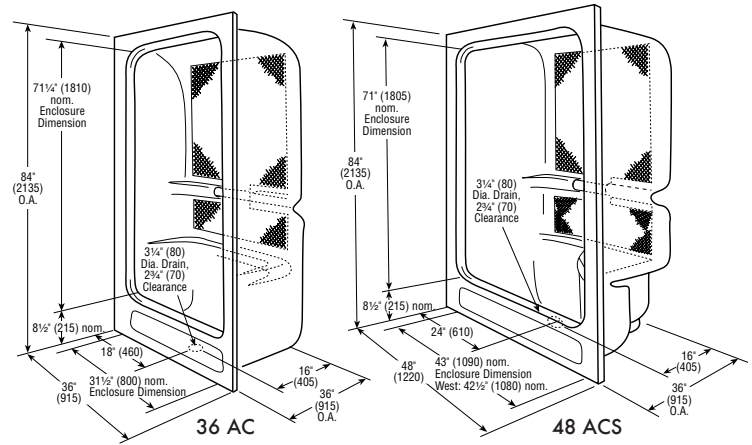


The 36 AC is shipped with a center brace in the enclosure opening. Remove board **ONLY** after face flange has been secured.

A. Pre-Installation Planning

1. Unit must be placed within bathroom area before completion of door framing or, if preferred, studs may be omitted or knocked-out to permit unit placement.
2. Make sure framed-in alcove is of proper size, square and plumb; check floor for levelness.
3. If fire-rated alcove is required, approved finish material must be in place prior to unit installation to meet fire safety requirements of local building code and/or FHA/HUD Minimum Property Standards. **NOTE: finished alcove must have interior dimensions shown on rough-in diagram to permit installation of unit.**
4. Plaster or cement grout foundation materials are recommended. Shimming may be needed to level unit and for additional support.
5. Waste/overflow kit requires extended [7" (180)] drain waste pipe for tub/shower unit.
6. If a shower door is to be installed, measure enclosure opening before ordering, or order an AQUATIC Door for a quality custom fit.
7. If dome light will be installed, cut out required area within molded 12" (305) sq. flat area in center of dome. Use fine-tooth or abrasive-grit blade. Cut from inside. Light fixture must have UL label, and be water- and steam-tight.



B. Critical Pre-Installation Rough-In Requirements

Make sure these provisions have been made before attempting to install unit:

1. 6" (150) diameter floor opening for 2" (50) IPS and drain connection [Fig. 1] for shower unit.
2. A 6" (150) x 12" (300) floor opening for 1 1/2" (40) o.d. plumbing for drain and overflow kit. [Fig. 1] **NOTE:** Be sure hole location matches type of unit: left and/or right hand tub/shower unit.
3. 1" (25) x 2" (50) mounting plates installed on front corner posts and on front header [Figs. 1 & 2].
4. Front corner posts are double 2" (50) x 4" (100) studs for flush mounting or triple 2" (50) x 4" (100) studs for recessed mounting. [See Fig. 2.]

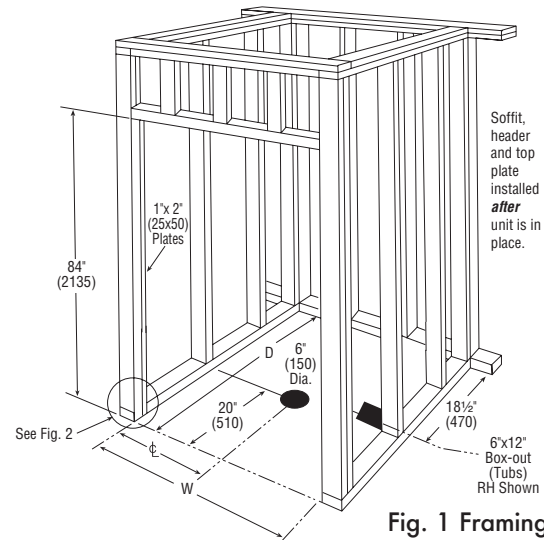


Fig. 1 Framing

Nominal Size:

Dimensions: Inches (Metric/mm)

(S) 36 AC 36" (915)W x 36" (915)D x 84" (2135)H
 (S) 48 ACS 48" (1220)W x 36" (915)D x 84" (2135)H
 (S) 60 AC TS 60" (1525)W x 34" (865)D x 84" (2135)H

*(S) MODELS WITH PRE-INSTALLED STEAM GENERATORS

DIMENSION	36 AC	48 ACS	60 AC TS
W	36" (915)	48" (1220)	60" (1525)
D	37" (940)	37" (940)	35" (890)

HEIGHT, WIDTH DIMENSIONAL TOLERANCE +0, -3/8" (±5mm)
 GENERAL DIMENSION TOLERANCE: +3/8" (10mm), -3/8" (5mm)

C. Installation Procedure

1. To avoid obstruction, make sure that supply lines and valve plumbing are not strapped to studs and do not project into alcove.
 2. On outside of plumbing endwall of unit, mark locations of shower arm, valve/s and tub spout in accordance with dimensions shown in Fig. 3. Double-check location of marks. Drill $\frac{1}{4}$ " (5) pilot holes.
 3. From inside of unit [glossy side], using proper size hole saw with fine-tooth or abrasive grit cutting edge, cut openings for shower arm, valve/s and tub spout. Fasten shower drain fitting at this time.
 4. If using grout, mix 3 gallon bucket. Place 3 or 4 mounds starting near drain and then away in a triangle or square approximately twice as high as the cavity under the unit.
 5. Place unit into alcove — do not push — against 1 " (25) x 2 " (50) side mounting plates. Pushing or "walking" unit may crack or break lower corners.
- NOTE:** If shower drain fitting does not nest with drain pipe, tilt unit forward while adjusting drain pipe. **Be sure unit's weight does not rest on drain pipe.**

6. Level unit for proper drainage. Use a 3' (915) long level on top of dam and on front face. Shim where necessary to assure level unit, or depress grout mounds until level.
7. Install soffit, header and 1 " (25) x 2 " (50) plate above unit, as shown in Fig. 1. Make sure plate lines up with the mounting screw holes at the top of the unit.
8. Using holes provided, screw [do not nail] unit to mounting plates. For wood framework, use #8 x $1\frac{1}{2}$ " (40) flathead wood screws. For metal framework, use #8 x $1\frac{1}{2}$ " (40) sheet metal screws. Start at holes at lower left and right, proceeding upward alternately on each side and across the top. Drive screws snugly but do not overtighten. **CAUTION:** Do not nail into face of mounting flange. Do not strike flange with any tool. Striking unit may cause irreparable damage.
9. Make final connections to supply lines and waste pipe in accordance with plumbing code requirements. Strap water lines and valve/s to studs.
10. Finish front of the unit with drywall, as shown [Fig. 2].

Fig. 2

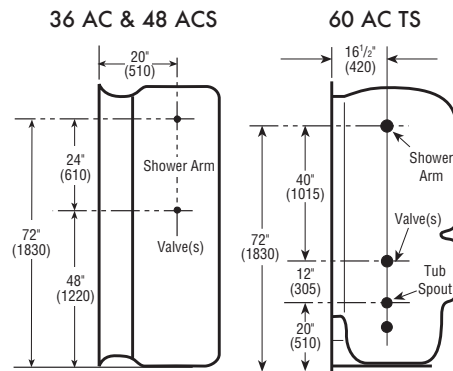
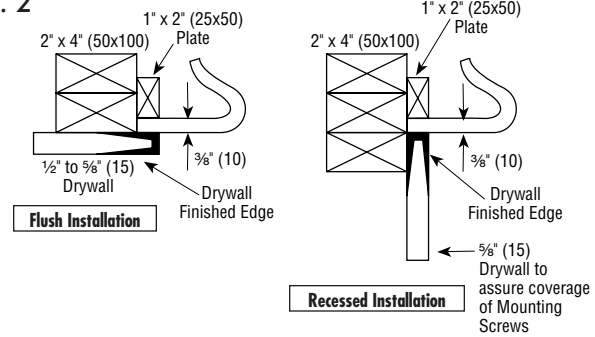


Fig. 3 Valve and Shower Arm Locations

D. Clean-Up

1. **DO NOT REMOVE WARRANTY LABEL!** Leave on the unit for owner or occupant. [Code Requirement]
2. Use sponge with warm water and a liquid non-abrasive detergent. **DO NOT USE** scouring pads, steel wool, metal scrapers, sand paper or anything else that might scratch, mar, or dull the finish. Plaster, latex paint, or other foreign materials may be removed with water, liquid detergent, and plastic scraper. **CAUTION: DO NOT USE heat or solvent based cleaning fluids.**
3. Dull areas and light scratches may be removed by buffing with a light colored automotive rubbing compound and soft cloth. Entire unit can be waxed with light colored automotive wax. **DO NOT WAX BOTTOM OF UNIT.**
4. **PREVENT STAINING.** Remove all debris before leak testing for plumbing inspection. **Drain and wipe clean immediately after testing and inspection.**

Read and follow all instructions • Save these instructions for future reference

Technical Support
(800) 585.STEAM (7832)

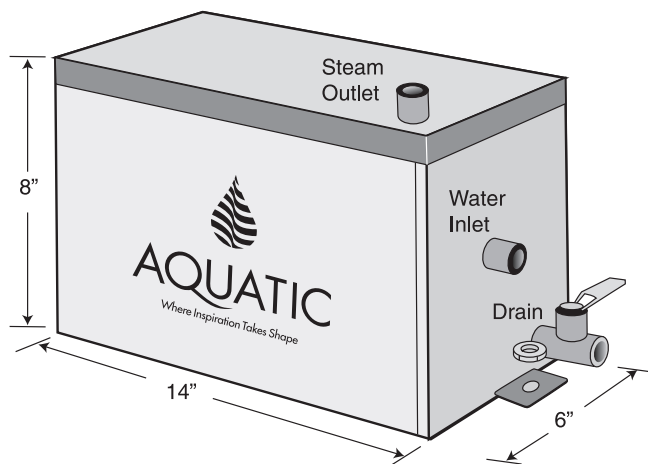
MATERIALS NEEDED

- Pipe compound
- Copper or brass nipples (as needed)
- 3/8" brass or copper union
- 1/2" brass or copper union
- Brass or copper tee connection & plug
- Receptacle plug (NEMA 6-20) 20A/250V

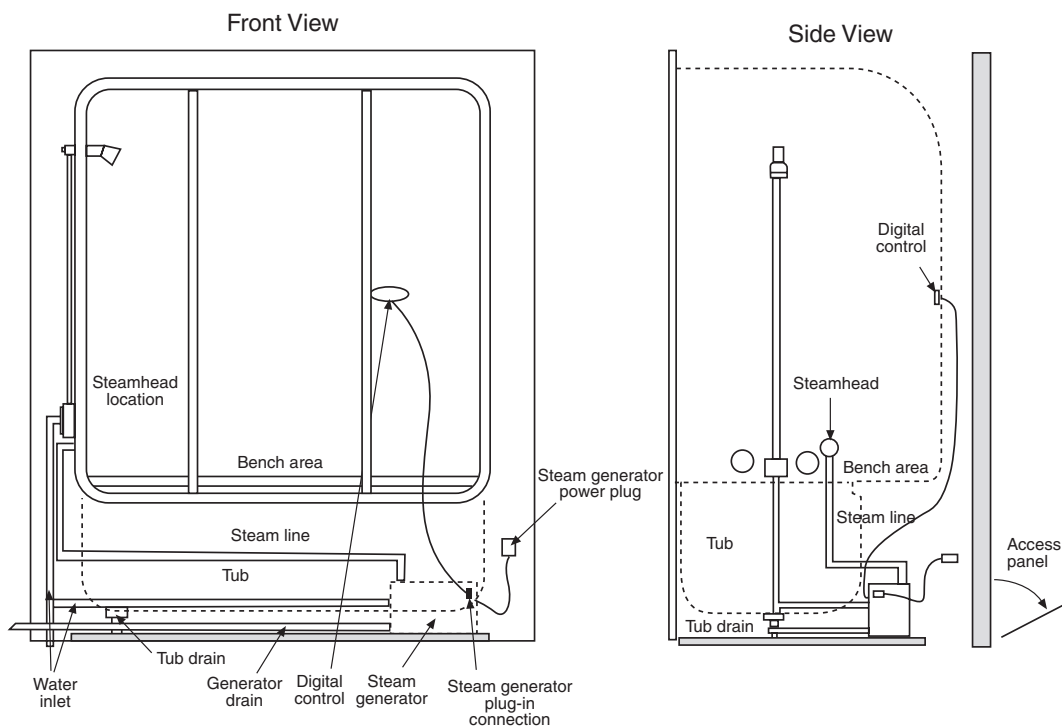
Tools Needed

- Pipe Wrench
- Tubing cutter
- Flaring tool (if flared fittings are used)
- Pipe thread cap
- Wire cutters or wire strippers
- Adjustable wrench
- Screwdrivers (Philips & regular)
- Other tools as required

All Aquatic series generators are designed to continuously release steam without pressure build-up during operation. This is for your safety.



APPROXIMATE LOCATIONS



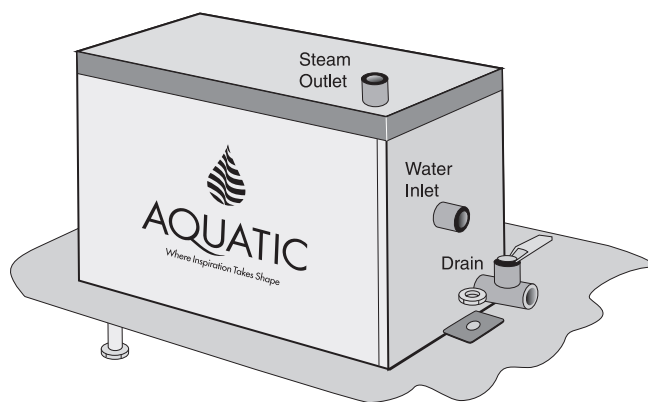
Read and follow all instructions • Save these instructions for future reference

STEAM GENERATOR INSTALLATION

IMPORTANT: TURN OFF ALL ELECTRICITY TO THE WORKING AREA AT THE MAIN BREAKER PANEL.

Note: For remote locations, provide level surface for mounting generator.

Mount the steam generator to the base board with the water inlet and drain/ball valve facing toward the fixtures location on the module. Keep the steam outlet on top.



IMPORTANT:
MAXIMUM WATER PRESSURE 80 P.S.I
ELECTRICAL WIRING MUST BE DONE
BY LICENSED ELECTRICIAN

Note: For proper drainage of the steam generator water reservoir, Aquatic recommends connecting a 3/8" copper line to the ball valve located at the base of the steam generator. Connect the line to the waste plumbing.

1. Use copper or brass fittings only. (NEVER USE GALVANIZED FITTINGS)
2. The water inlet uses 3/8" NPT and steam outlet uses 1/2" NPT for easy installation.
3. The generator must be upright, accessible and on a level surface. Access panel and powerflush valve must be unobstructed and allow for easy access.

4. Place a drain/spill pan under the steam generator.
5. Connect a tee to the hot or cold water supply line. Install copper pipe or tubing to the tee.
6. Install a brass shut-off valve on the water inlet line in an accessible area prior to the brass union and recommended in-line water filter.
7. Pitch/angle steam line back towards generator and **avoid perfectly level plumbed lines.**
8. Before making the last connection to the 3/8" NPT, flush the water supply line into a five-gallon pail to remove any silt or other materials that may be in the line.
9. Make the final connection and turn on the water. All Aquatic steam generators are equipped with an automatic water fill system. The water will stop after the unit is filled.

Note: The steam line can run up, down or horizontal but **cannot run down and then up.** If it does, a steam trap will be produced at the low point blocking the flow of steam. Do not plumb a trap in the steam line. Insulate the steam outlet piping if the piping run exceeds 10 feet or is exposed to cold areas. **Use steam rated insulation.**

Do not plumb the pressure relief valve into the steam line. **Plumbing the pressure relief valve into the steam line can be hazardous, should the steam outlet be capped off or obstructed.**

10. Make sure water is turned on before operating the unit.
11. The steam generator has a right angle plug for the power hookup. Using a 10-gauge wire, install the receptacle side of the plug (NEMA 6-2020 A/250V) which you will need to provide, to a 208/240 volt A.C. and plug the two together.

Note: Failure to follow instructions specifically will cause warranty to be void!



CONSUMER WARNING

WARNING

DO NOT USE THIS PRODUCT UNLESS YOU HAVE CONSULTED WITH YOUR DOCTOR AND RECEIVED WRITTEN PERMISSION TO DO SO. USE OF THIS PRODUCT MAY BE HAZARDOUS TO YOUR HEALTH.

WARNING

NEVER ATTEMPT TO FILL AROMA RESERVOIR ON THE STEAMHEAD WHEN UNIT IS IN THE ON POSITION. SEVERE BURNS WILL OCCUR.

WARNING

DO NOT USE AROMA THERAPY OILS OR SKIN CARE PRODUCTS OR ANY PRODUCT IN CONJUNCTION WITH YOUR LASCO UNIT WITHOUT CONSULTING WITH YOUR ALLERGIST OR DOCTOR BEFORE USE. THESE PRODUCTS MAY BE HAZARDOUS TO YOUR HEALTH.

WARNING

YOUR SHOWER MAY BE A SLIP AND FALL HAZARD CHECK WITH YOUR CONTRACTOR OR FLOORING MANUFACTURER REGARDING THE SAFE USE OF YOUR FLOORING IN A STEAM APPLICATION. SLIPPING AND FALLING INTO THE STEAMHEAD ITSELF OR INTO THE STREAM OF STEAM EMITTING FROM THE STEAMHEAD WILL CAUSE SERIOUS BURNS, OR PHYSICAL INJURY.

WARNING

STEAM IS HOT! DO NOT TOUCH OR GO NEAR THE STEAMHEAD FROM THE TIME THE UNIT IS "ON", UP TO ONE HOUR AFTER IT HAS SHUT OFF. SEVERE BURN WILL OCCUR IF YOU COME IN CONTACT WITH THE STEAMHEAD OR STEAM EMITTING FROM THE STEAMHEAD.

WARNING

DO NOT USE STEAM ROOM WHILE UNDER THE INFLUENCE OF ALCOHOL OR DRUGS, AS THIS CAN BE HAZARDOUS TO YOUR HEALTH.

WARNING

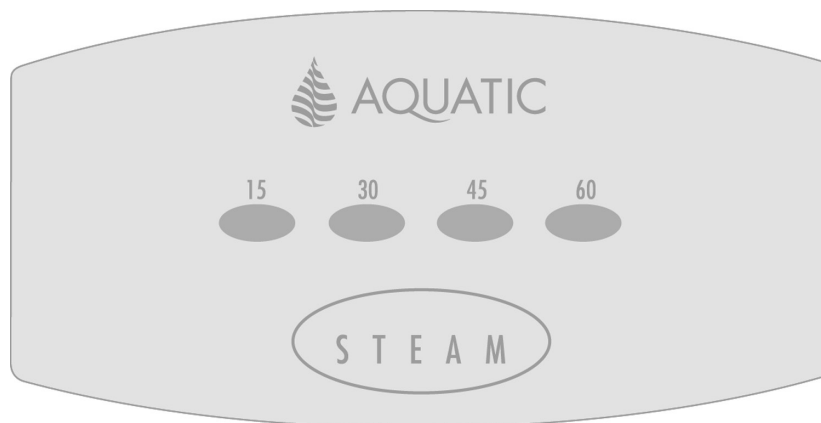
IF YOU ARE FEELING UNCOMFORTABLE, DIZZY, FAINT, OR STARTING TO FALL ASLEEP IMMEDIATELY EXIT THE STEAM ROOM.

WARNING

DO NOT USE STEAM ROOM IF YOU ARE UNDER THE AGE OF 16 UNLESS SUPERVISED BY A ADULT.

Read and follow all instructions • Save these instructions for future reference

USING & ENJOYING YOUR STEAM BATH



STARTING YOUR STEAM BATH

Depress the "STEAM" button to activate your steam bath session. The 60-minute LED will light up.

CHANGING SESSION TIME

Depress the "STEAM" button again and repeat until your desired time session lights up.

PAUSE FEATURE

Depress the "STEAM" button and hold until the LED time light flashes. Release. The light will flash while the system is in pause mode. Depress the "STEAM" button again to restart the session.

SETTING MEMORY

Find the desired time you want to set. Depress "STEAM" button and hold. LED will flash. Continue to hold until light stops flashing and remains solid. Turn the timer off by depressing the "STEAM" button. Wait 15 seconds and restart your unit. Your desired time will illuminate.

DIAGNOSTIC FEATURE

Your Aquatic steam generator has a unique diagnostic feature. If there is a malfunction within the unit, it will alert you by displaying a flashing 15-minute or 60-minute LED. If this occurs, call our Technical Department at (800) 585-7832 for further assistance.

If diagnostic flashes, call (800) 585-7832 for assistance

AQUATIC STEAM SERVICES WARRANTY



AQUATIC

Aquatic Steam Services will repair the specific failure on your Steam Services Generator at the factory for up to five years after the In-home warranty expires. All expenses required to remove and send the generator to the factory, returning and re-installing the generator is the responsibility of the owner.

12 month In-Home Warranty Steam Services will warranty all parts found to have a manufacturing defect on your Steam Services Steam Generator and labor required to replace those parts for a period of 12 months.

12 MONTH EXCLUSION

I. This service warranty does not cover: Removal and reinstallation charges associated with the warranty repairs; shipping charges to or from Steam Services, parts or product damaged in shipment; parts or product damaged during installation; malfunction of equipment due to improper installation or installation not according to manufacturer's specifications and/or installation instructions; installations not observing national/local plumbing and/or electrical codes; any unit which has been altered; parts or product installed in a manner that does not permit proper access to service; any residential unit used in a non-residential or commercial application; any discoloration due to staining, scratching or use of harsh or abrasive cleaning chemicals; calcification build-up due to water conditions and/or improper maintenance; damage caused in the event of accident, neglect, misuse, vandalism, fire, lightning, power surge, earthquake, flood or any other peril or damage to structure or other acts of God. Any repair or installation modification that is subject to the above exclusion shall be paid for by the owner at the current labor and material charges in effect at the time work is done. Additional labor or parts which may be necessary or recommended will be charged, with the owners permission, at the current rate in effect at the time the work is done. Steam Services will not be liable in any way for contingent liability or incidental or consequential damages resulting from the sale, delivery, installation or use of its products. Users are responsible for suitability of the products for their application. Damage resulting from improper specification or application or other operating conditions beyond Steam Services control is not under warranty.

II. Steam Services will exercise reasonable efforts in rendering service under this warranty, but shall not be liable for any damage arising out of delays; this warranty only covers the repair and/or replacement of Steam Services product as specified by the warranty.

III. This warranty gives you specific legal rights and you may have other rights, which may vary from state to state. Determination of rights under this warranty is in accordance with the laws of California. Any dispute under the warranty must be submitted and resolved by arbitration in California.

IV. Steam Services does not guarantee that a local service person will be available for in home service. Unit may have to be removed and reinstalled at the owner's expense. It is the responsibility of the buyer to file a claim with the carrier/carriers for any product that has shipping damage to or from Steam Services. A Return Merchandise Authorization (RMA) must be obtained from the factory and used on any correspondence or packages to the factory.

**Steam Services
2255 Union Place
Simi Valley, CA 93065
800-585-STEAM**

TERMINATION

This warranty will be terminated by Steam Services for the following reasons: improper installation or use, residential unit used in a non-residential or commercial application, service to equipment by unauthorized personnel, installation that does not permit proper access for service, non-payment of repairs not covered under warranty, **non remittance of completed warranty card, modification to any part of the unit, use of non-Steam Services repair parts.**

AQUATIC STEAM SERVICES WARRANTY REGISTRATION CARD

Homeowner's Name: _____ Phone: (____) _____

Address: _____ City: _____ State: _____ Zip: _____

E-Mail: _____

Serial No: _____ Date Code: _____ Model No: _____

Date of Purchase: _____ Dealer/Outlet: _____

Installer Name: _____ Installer Phone: () _____

Installer Address: _____ City: _____ State: _____ Zip: _____

Signature: _____ Date Installed: _____